

WIRE COMBINATIONS FOR NYLON-INSUALTED CLOSED END CONNECTORS

MOLEX P/N: 191600009 (NC-2212), 191600129 (NC-2212BULK)  
191600071 (NC-2212T), 191600109 (NC-2212BT)

UL LISTED & CSA CERTIFIED WIRE COMBINATIONS  
SOLID OR STRANDED, COPPER WIRE ONLY

	14 AWG	16 AWG	18 AWG	20 AWG	22 AWG
(D1) ▽	1	1			
	1		1		
	1		2		
	1		1	1	
	1		1	2	
	1		1		1
	1		1		2
	1		1		3
	1			1	
	1			2	
	1			3	
	1				1
		3			
		2			
▽		2	1		
		2	2		
		2		1	
		2		2	
		2			1
		2			2
		2			3
		2	1	1	
		2	1		1
		2		1	1
		1		1	2
		1	1		
		1	2		
		1	3		
		1		1	
		1		2	
		1		3	
		1		4	
		1			
		1			1
		1			2
		1			3
		1			4
		1			5

	16 AWG	18 AWG	20 AWG	22 AWG
	1	2	1	
	1	2		1
	1	2		2
	1	1	1	1
	1	1	2	1
	1	1	1	2
▽**		5		
		4		
		4	1	
		4		1
		3		
		3	2	
		3		1
		3		2
		3		3
		3	1	1
		2		
		2	1	
		2	2	
		2	3	
		2		1
		2		2
		2		3
		2		4
		2		5
		2	1	1
		2	1	2
		2	1	3
		2	2	1
		2	3	1
		2	1	2
		2	1	3
		1	1	
		1	2	
		1	3	
		1	4	
		1	5	
		1		1
		1		2
		1		3
		1		4

	14 AWG	16 AWG	18 AWG	20 AWG	22 AWG
			1	1	2
			1	1	3
			1	1	4
			1	2	2
			1	2	3
			1	3	2
				6	
				5	
				5	1
				4	
				4	1
				4	2
				3	
				3	1
				3	2
				3	3
				2	
				2	1
				2	2
				2	3
				2	4
				1	1
				1	2
				1	3
				1	4
				1	5
					6
					5
					4
					3
*	1				2
*	1				3
*	1				4
*	1		1	1	1

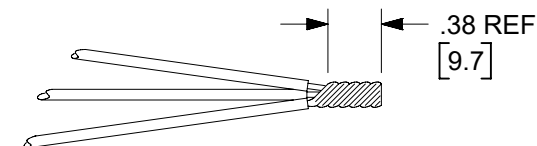
\* - CSA CERTIFIED ONLY

\*\* - UL LISTED ONLY

▽ - STRANDED WIRE ONLY

WIRE PREPARATION

NOTE: PRE-TWISTING NOT REQD FOR OEM APPLICATIONS  
SOLID: (OEM ONLY)  
A. STRIP LEADS TO .38(9.5)  
B. INSERT INTO CONNECTOR & CRIMP  
STRANDED:  
A. STRIP LEADS TO APROX. .75(19.1)  
B. TWIST WIRE COMBINATION EVENLY & TIGHT.  
C. TRIM STRIPPED PRE-TWISTED ZONE TO .38(9.5).  
D. INSERT INTO CONNECTOR AND CRIMP.



RATING 105°C 600 VOLT  
(1000 VOLT IN SIGNS OR FIXTURES)  
FILE: E32244



RATING 105°C 600 VOLT  
(1000 VOLT IN SIGNS OR FIXTURES)  
FILE: LR 18689  
\* 125°C FOR PRE-TWISTED WIRE ONLY

APPLICATION WITH HANDTOOL:

HOLD TOOL WITH LOCATOR PLATE FACING UP.  
INSERT CLOSED END CONNECTOR IN HOLE.  
INSURE THAT SHOULDER OF CONNECTOR IS RESTING ON LOCATOR PLATE.  
CLOSE TOOL JAWS UNTIL CONNECTOR IS HELD SNUG IN PLACE.  
LOAD CONNECTOR WITH DESIRED WIRE COMBINATION.  
COMPLETE CRIMP BY CLOSING TOOL HANDLES UNTIL THEY RELEASE.

CRIMP TOOLING AVAILABLE

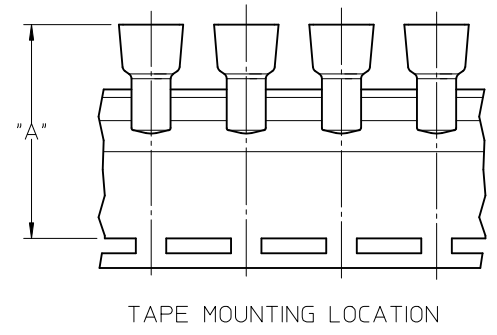
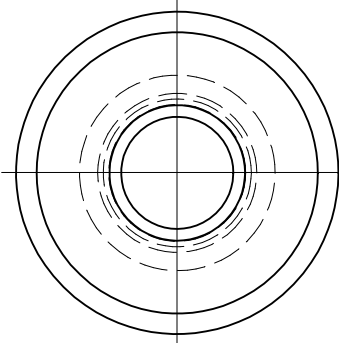
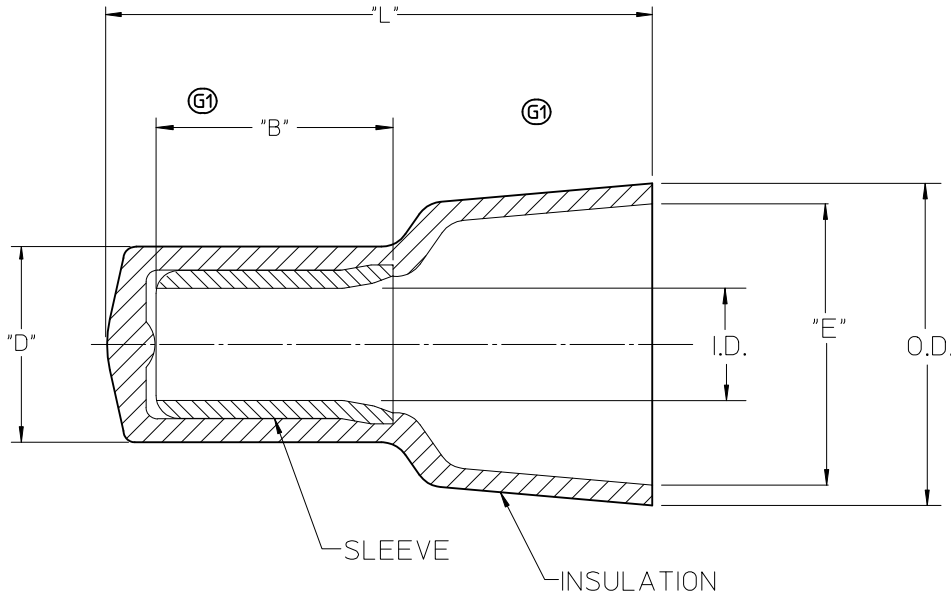
192280030 (ATP-301) AIR TAPE PRESS OR  
638853500 MINI-MAC TAPE APPLICATOR WITH  
192880239 (ATP-NC-2212) CRIMPING DIES

(D1) 640010900 (RHT-7050) HANDTOOL  
640050900 (AT-7050) CRIMP HEAD OR 640053600 (AT-2212) CRIMP HEAD  
FOR 192790001 (AT-200) AIR HAND TOOL

NOTE: THIS DOCUMENT USED TO MAKE STUFFER SHEET  
PART NO: 194080109  
DOC NO'S: E-19160-009 & PK-19408-109

FUNCTIONAL SYMBOLS	THIS DRAWING CONTAINS INFORMATION THAT IS PROPRIETARY TO MOLEX ELECTRONIC TECHNOLOGIES, LLC AND SHOULD NOT BE USED WITHOUT WRITTEN PERMISSION										
	DIMENSION UNITS		SCALE		CURRENT REV DESC: WIRE COMBO: (1) 14 AWG + (1) 16 AWG "STRANDED" ONLY WAS "STRANDED OR SOLID". CRIMP TOOLING P/N'S UPDATED.						
	INCH/MM		NTS								
	GENERAL TOLERANCES (UNLESS SPECIFIED)										
DIVISIONAL SYMBOLS	4 PLACES		±		MM		INCH		EC NO: 704038		
	3 PLACES		±						DRWN: DMYRICK 2022/04/07		
	2 PLACES		±						CHKD: JMACNEIL 2022/05/04		
	0 PLACES		±						APPR: JMACNEIL 2022/05/04		
ANGULAR TOL		±		°				INITIAL REVISION:			
DRAFT WHERE APPLICABLE MUST REMAIN WITHIN DIMENSIONS		THIRD ANGLE PROJECTION		DRAWING		SERIES		MATERIAL NUMBER		CUSTOMER	
		B-SIZE		19160		191600009		GENERAL MARKET		1 OF 1	

LOOSE PIECE		TAPE MOUNTED		"L" MAX.	"B" MIN (G1)	"D" MAX.	"E" MIN.	I.D. MIN.	O.D. MAX.	"A" DIM ±.02/0.5 (G1)
MATERIAL NO.	ENG. NO.	MATERIAL NO.	ENG. NO.							
191600012	NC-2214	191600070	NC-2214T	.62/15.7	.30/7.6	.19/4.8	.24/6.1	.09/2.3	.32/8.1	1.54/39.2
191600009	NC-2212	191600071	NC-2212T	.76/19.3	.30/7.6	.23/5.8	.27/6.9	.10/2.5	.36/9.1	1.63/41.4
191600002	NC-1610	191600083	NC-1610T	.90/22.8	.28/7.1	.28/7.1	.38/9.6	.15/3.8	.45/11.4	1.75/44.5
191600024	NC-8	191600028	NC-8T	1.10/27.9	.42/10.6	.36/9.1	.48/12.2	.21/5.3	.57/14.5	1.86/47.4



NOTES:

- MATERIAL: SLEEVE: TIN-PLATED COPPER  
INSULATION: 6/6 NYLON,  
NATURAL TRANSLUCENT
- PARTS ARE ROHS COMPLIANT.

SALES DRAWING

<b>CORRECT TOLERANCES</b> EC NO: WNA2010-0673 DRAWN BY: DR. W. H. THRODAHL 20/10/05/07 CHK'D R. DEROSS 04/02/23 APPR: JMACEIL 20/10/06/23	QUALITY SYMBOLS ▽=0 ▽=0	GENERAL TOLERANCES (UNLESS SPECIFIED) mm INCH 4 PLACES ± --- ± --- 3 PLACES ± --- ± --- 2 PLACES ± --- ± --- 1 PLACE ± --- ± --- ANGULAR ± ---°	DIMENSION STYLE IN/MM DRAWN BY: H. BEITZE DATE: 04/02/23 CHECKED BY: R. DEROSS DATE: 04/02/23 APPROVED BY: R. DEROSS DATE: 04/02/23	SCALE 5:1	DESIGN UNITS INCH	THIRD ANGLE PROJECTION
	CLOSED END CONNECTORS NYLON INSULATED					
	MOLEX INCORPORATED					
	DRAFT WHERE APPLICABLE MUST REMAIN WITHIN DIMENSIONS			SEE CHART	DOCUMENT NO. SD-19160-001	SHEET NO. 1 OF 1
	THIS DRAWING CONTAINS INFORMATION THAT IS PROPRIETARY TO MOLEX INCORPORATED AND SHOULD NOT BE USED WITHOUT WRITTEN PERMISSION					