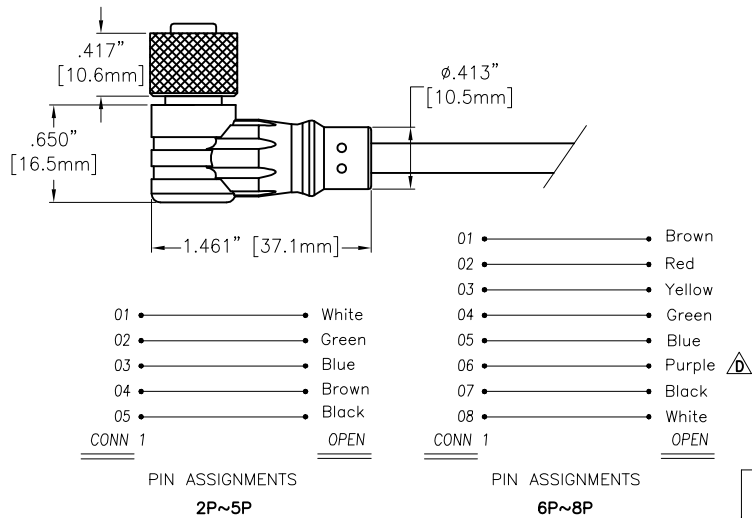
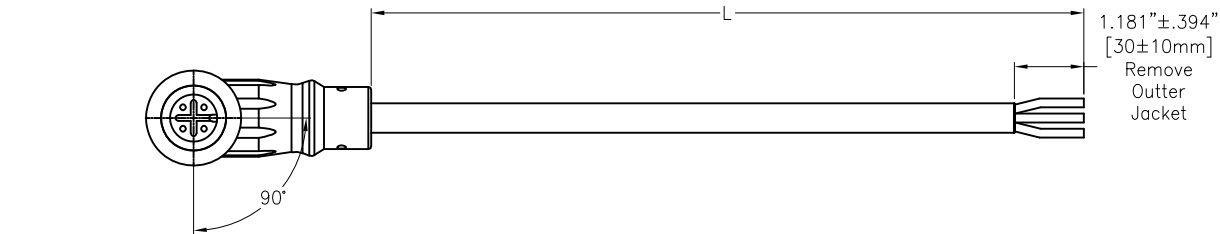


APPROVED: _____
 DATE: _____ TITLE: _____

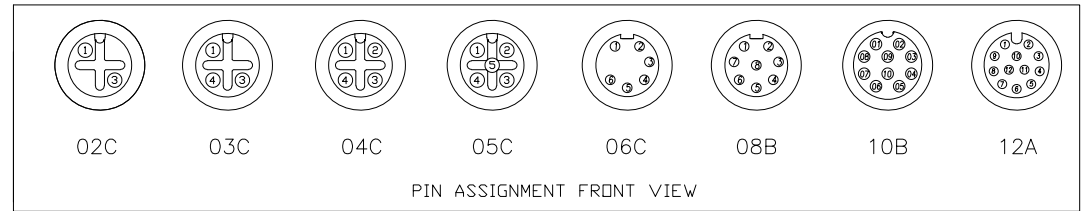
Rev	AWO #	Description	Date	Appr
-		RELEASED	8/30/16	
A		UPDATED PIN ASSIGNMENT	6/22/17	HR/CK
B		UPDATED DRAWING	3/8/19	AY/CK
C		UPDATED DRAWING	5/7/19	AY/AC
D		UPDATE SPEC.	7/5/19	LH/RC



SD-PMAXXX-FFTBR-CXX-XFT
 7=IP67 A=UL2464

PART NO.	L
SD-PMAXXX-FFTBR-CXX-3FT	36" ± 1.80" [914.4 ± 45.72mm]
SD-PMAXXX-FFTBR-CXX-6FT	72" ± 3.60" [1828.8 ± 91.44mm]
SD-PMAXXX-FFTBR-CXX-10FT	120" ± 6.000" [3048 ± 152.4mm]

CONTACT : BRASS ; GOLD PLATED.
NUT : BRASS ; NICKEL PLATED.
UL2464 CABLE 2PIN~5PIN 24AWG ; 6PIN~8PIN 26AWG(2A 300V)
OVERMOLD : PVC ; COLOR : BLACK
M12 CONN
DESCRIPTION



SPECIFICATIONS:
 Electrical:
 Current rating: XXA=1.5A, XXB=2A, XXC=5A
 Dielectric withstanding voltage: 500 VAC for 1 minute
 Temperature Rating:
 Operating temperature: -25°C to +85°C
 Environmental:
 Lead free, RoHS compliant.



UNLESS OTHERWISE SPECIFIED ALL DIMENSIONS ARE INCHES [MM] TOLERANCES: EXCEPT AS NOTED		
INCHES		HOLES
.X ± .10	Ø.X ± .10	
.XX ± .020	Ø.XX ± .015	
.XXX ± .015	Ø.XXX ± .010	
APPROVALS		DATE
DRAWN	HR	8/30/16
CHECKED	TW	8/30/16
APPROVED		

ADAM TECH INTERCONNECTS
 909 Rahway Avenue,
 Union, NJ 07083
 Phone: 908-687-5000
 Fax: 908-687-5710

TITLE WATERPROOF CONNECTOR, FEMALE, M12 ASSEMBLY CABLE, RIGHT ANGLE		
SIZE X	PART NO. SD-PMAXXX-FFTBR-CXX-XFT	REV. D
REF: S00298T	SCALE: NTS	SHEET 1 OF 1