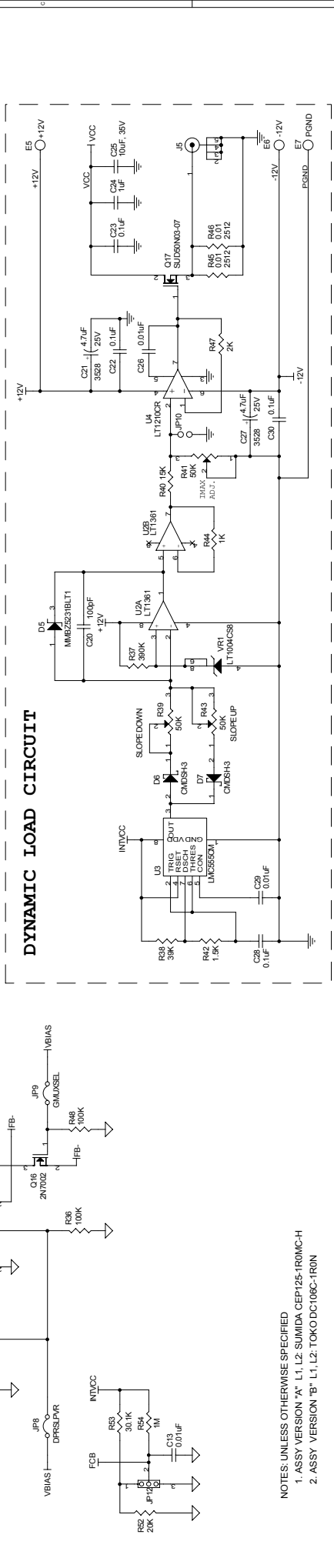
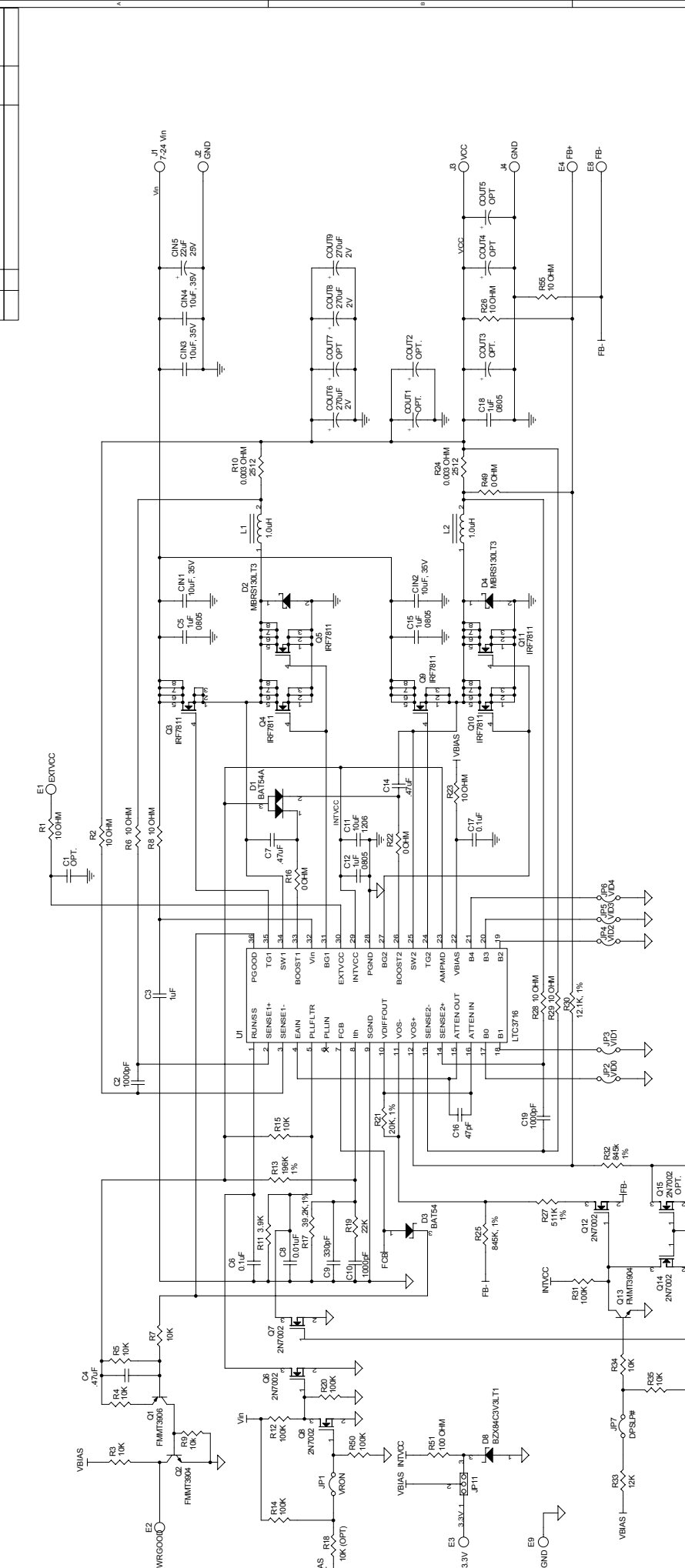


REVISION HISTORY		DATE	APPROVED
ECO	REV	DESCRIPTION	
	1	DESIGN RELEASE	3/5/01

LTC CONFIDENTIAL - For Customer Use Only



DYNAMIC LOAD CIRCUIT

- NOTES: UNLESS OTHERWISE SPECIFIED
 1. ASSY VERSION "A": L1, L2: SUMIDA CEP125-1R0MCH
 2. ASSY VERSION "B": L1, L2: TOKO DC106C-1R0N

CONTRACT NO.		TITLE	
UNLESS OTHERWISE SPECIFIED	APPROVALS	DATE	
DIMENSIONS ARE IN INCHES	DRAWN: L SANTOS	01/05/01	
2 PLACES - ...	CHECKED		
3 PLACES - ...	ENGINEER		
4 PLACES - ...	DESIGNER		
5 PLACES - ...			
6 PLACES - ...			
7 PLACES - ...			
8 PLACES - ...			
9 PLACES - ...			
10 PLACES - ...			
11 PLACES - ...			
12 PLACES - ...			
13 PLACES - ...			
14 PLACES - ...			
15 PLACES - ...			
16 PLACES - ...			
17 PLACES - ...			
18 PLACES - ...			
19 PLACES - ...			
20 PLACES - ...			
21 PLACES - ...			
22 PLACES - ...			
23 PLACES - ...			
24 PLACES - ...			
25 PLACES - ...			
26 PLACES - ...			
27 PLACES - ...			
28 PLACES - ...			
29 PLACES - ...			
30 PLACES - ...			
31 PLACES - ...			
32 PLACES - ...			
33 PLACES - ...			
34 PLACES - ...			
35 PLACES - ...			
36 PLACES - ...			
37 PLACES - ...			
38 PLACES - ...			
39 PLACES - ...			
40 PLACES - ...			
41 PLACES - ...			
42 PLACES - ...			
43 PLACES - ...			
44 PLACES - ...			
45 PLACES - ...			
46 PLACES - ...			
47 PLACES - ...			
48 PLACES - ...			
49 PLACES - ...			
50 PLACES - ...			
51 PLACES - ...			
52 PLACES - ...			
53 PLACES - ...			
54 PLACES - ...			
55 PLACES - ...			
56 PLACES - ...			
57 PLACES - ...			
58 PLACES - ...			
59 PLACES - ...			
60 PLACES - ...			
61 PLACES - ...			
62 PLACES - ...			
63 PLACES - ...			
64 PLACES - ...			
65 PLACES - ...			
66 PLACES - ...			
67 PLACES - ...			
68 PLACES - ...			
69 PLACES - ...			
70 PLACES - ...			
71 PLACES - ...			
72 PLACES - ...			
73 PLACES - ...			
74 PLACES - ...			
75 PLACES - ...			
76 PLACES - ...			
77 PLACES - ...			
78 PLACES - ...			
79 PLACES - ...			
80 PLACES - ...			
81 PLACES - ...			
82 PLACES - ...			
83 PLACES - ...			
84 PLACES - ...			
85 PLACES - ...			
86 PLACES - ...			
87 PLACES - ...			
88 PLACES - ...			
89 PLACES - ...			
90 PLACES - ...			
91 PLACES - ...			
92 PLACES - ...			
93 PLACES - ...			
94 PLACES - ...			
95 PLACES - ...			
96 PLACES - ...			
97 PLACES - ...			
98 PLACES - ...			
99 PLACES - ...			
100 PLACES - ...			

SCHEMATIC: LTC3716, 2-PHASE 25A MOBILE CPU VRM PCB		DWGNO	DC377B
UNLESS OTHERWISE SPECIFIED	APPROVALS	DATE	
DIMENSIONS ARE IN INCHES	DRAWN: L SANTOS	01/05/01	
2 PLACES - ...	CHECKED		
3 PLACES - ...	ENGINEER		
4 PLACES - ...	DESIGNER		
5 PLACES - ...			
6 PLACES - ...			
7 PLACES - ...			
8 PLACES - ...			
9 PLACES - ...			
10 PLACES - ...			
11 PLACES - ...			
12 PLACES - ...			
13 PLACES - ...			
14 PLACES - ...			
15 PLACES - ...			
16 PLACES - ...			
17 PLACES - ...			
18 PLACES - ...			
19 PLACES - ...			
20 PLACES - ...			
21 PLACES - ...			
22 PLACES - ...			
23 PLACES - ...			
24 PLACES - ...			
25 PLACES - ...			
26 PLACES - ...			
27 PLACES - ...			
28 PLACES - ...			
29 PLACES - ...			
30 PLACES - ...			
31 PLACES - ...			
32 PLACES - ...			
33 PLACES - ...			
34 PLACES - ...			
35 PLACES - ...			
36 PLACES - ...			
37 PLACES - ...			
38 PLACES - ...			
39 PLACES - ...			
40 PLACES - ...			
41 PLACES - ...			
42 PLACES - ...			
43 PLACES - ...			
44 PLACES - ...			
45 PLACES - ...			
46 PLACES - ...			
47 PLACES - ...			
48 PLACES - ...			
49 PLACES - ...			
50 PLACES - ...			
51 PLACES - ...			
52 PLACES - ...			
53 PLACES - ...			
54 PLACES - ...			
55 PLACES - ...			
56 PLACES - ...			
57 PLACES - ...			
58 PLACES - ...			
59 PLACES - ...			
60 PLACES - ...			
61 PLACES - ...			
62 PLACES - ...			
63 PLACES - ...			
64 PLACES - ...			
65 PLACES - ...			
66 PLACES - ...			
67 PLACES - ...			
68 PLACES - ...			
69 PLACES - ...			
70 PLACES - ...			
71 PLACES - ...			
72 PLACES - ...			
73 PLACES - ...			
74 PLACES - ...			
75 PLACES - ...			
76 PLACES - ...			
77 PLACES - ...			
78 PLACES - ...			
79 PLACES - ...			
80 PLACES - ...			
81 PLACES - ...			
82 PLACES - ...			
83 PLACES - ...			
84 PLACES - ...			
85 PLACES - ...			
86 PLACES - ...			
87 PLACES - ...			
88 PLACES - ...			
89 PLACES - ...			
90 PLACES - ...			
91 PLACES - ...			
92 PLACES - ...			
93 PLACES - ...			
94 PLACES - ...			
95 PLACES - ...			
96 PLACES - ...			
97 PLACES - ...			
98 PLACES - ...			
99 PLACES - ...			
100 PLACES - ...			