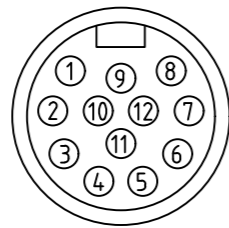
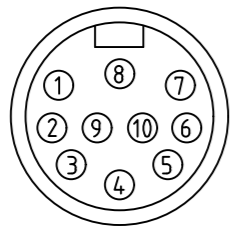
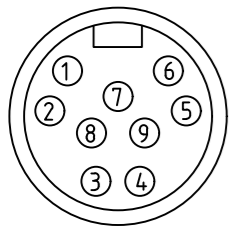


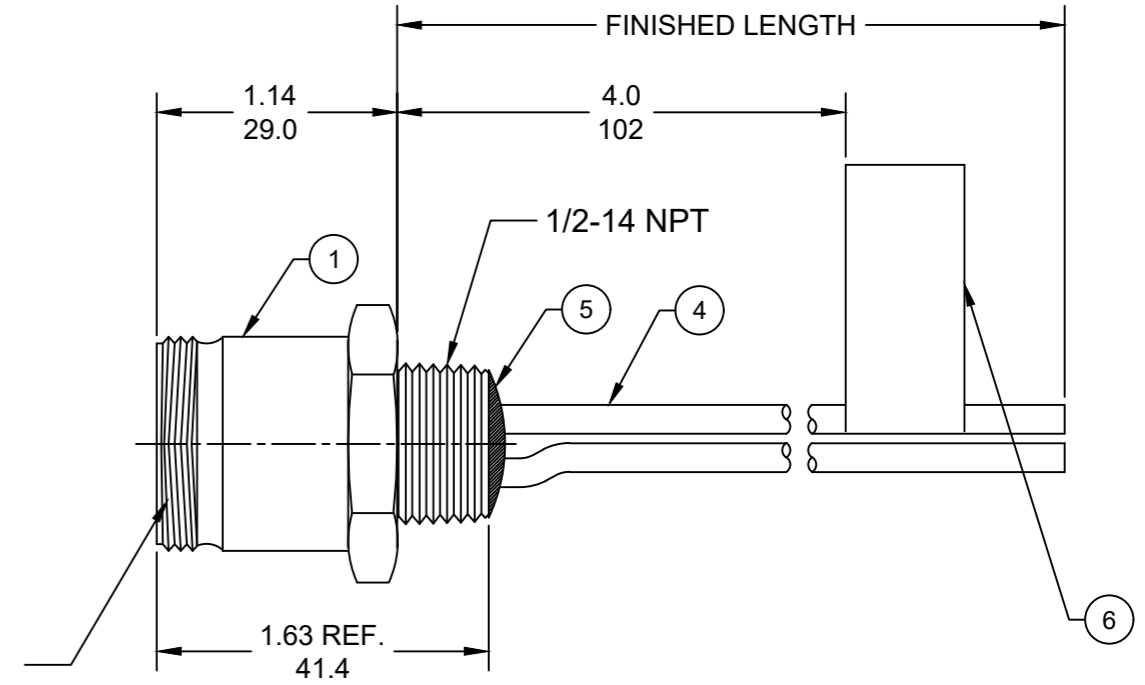
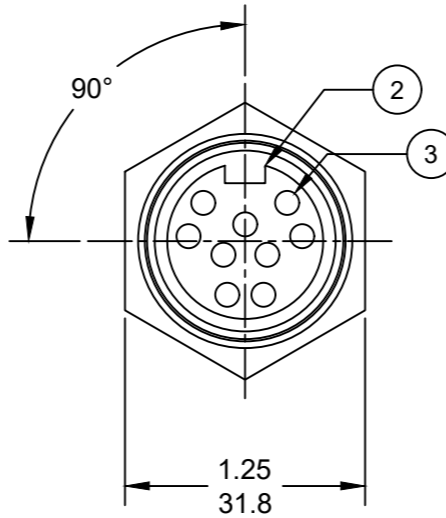
FACE VIEW-MALE INSERT



- 1 ORANGE
- 2 BLUE
- 3 RED/BLACK
- 4 GREEN/BLACK
- 5 WHITE
- 6 RED
- 7 GREEN/YELLOW
- 8 WHITE/BLACK
- 9 BLACK

- 1 ORANGE
- 2 BLUE
- 3 WHITE/BLACK
- 4 RED/BLACK
- 5 GREEN/BLACK
- 6 ORANGE/BLACK
- 7 RED
- 8 GREEN/YELLOW
- 9 BLACK
- 10 WHITE

- 1 ORANGE
- 2 BLUE
- 3 WHITE/BLACK
- 4 RED/BLACK
- 5 GREEN/BLACK
- 6 ORANGE/BLACK
- 7 BLUE/BLACK
- 8 BLACK/WHITE
- 9 GREEN/YELLOW
- 10 RED
- 11 WHITE
- 12 BLACK

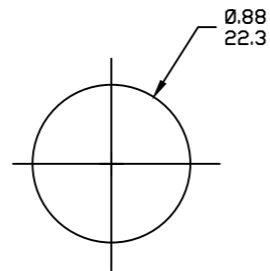


PART NO	ENGINEERING NO.	FINISHED LENGTH
1300150137	3R9006A20A120	12 IN [0.3M]
1300150051	3R1006A20F120	12 FT [3.6M]
1300150091	3R2006A20M050	5.0M [16 FT 5 IN]

NOTES:

1. MATERIAL: AS NOTED
2. FINISH: AS NOTED
3. ELECTRICAL:  
VOLTAGE: 320V PER IEC60664  
600V PER UL2238  
CURRENT: 9 POLE: 7A  
10 POLE: 7A  
12 POLE: 5A
4. TEMP RATING: -20°TO +105°C
5. PROTECTION: IP67 (WHEN MATED)
6. UL RECOGNIZED, FILE: E152210  
CSA CERTIFIED, FILE: LR6837
7. ALL DIMENSIONS ARE FOR REFERENCE UNLESS TOLERANCED OR NOTED OTHERWISE

REF. KNOCKOUT HOLE



PART NO. MATRIX  
3R1006A20F010

POLES  
9= 9 POLES  
1=10 POLES  
2=12 POLES

LENGTH:  
A120= 12 INCHES  
F001= .1 FT  
F020= 2 FT  
F200= 20 FT  
  
M005= 0.5 METER  
M010= 1 METER  
M100= 10 METER

CABLE LENGTH TOLERANCES	
>.3M [1FT]:	+19mm-0 [ +.75in-0]
.3 - .9M [1 - 3FT]:	+44.5mm-0 [+1.75in-0]
.9 - 1.8M [3 - 6FT]:	+55.6mm-0 [+2.19in-0]
1.8 - 3.7M [6 - 12FT]:	+88.9mm-0 [+3.50in-0]
3.7 - 7.3M [12 - 24FT]:	+165.1mm-0 [+6.50in-0]
7.3-14.6M [24 - 48FT]:	+317.5mm-0 [+12.50in-0]
14.6 - 30.5M [48-100FT]:	+622.3mm-0 [+24.50in-0]
OVER 30M [100FT]	+2% OF FINISHED LENGTH

ITEM	DESCRIPTION	MATERIAL	FINISH
6	FLAG LABEL	VINYL	BLACK/YELLOW
5	POTTING MATERIAL	EPOXY	
4	WIRE, 16 AWG UL (1015)	PVC INSULATION	SEE CHART
3	CONTACT PIN	COPPER ALLOY	GOLD PLATED
2	MALE INSERT (C-SIZE)	TPE	YELLOW
1	RECEPTACLE SHELL	ZINC DIE-CAST	BLACK

FUNCTIONAL SYMBOLS $F=0$ $E=0$ $P=0$	THIS DRAWING CONTAINS INFORMATION THAT IS PROPRIETARY TO MOLEX ELECTRONIC TECHNOLOGIES, LLC AND SHOULD NOT BE USED WITHOUT WRITTEN PERMISSION		CURRENT REV DESC: ITEM #2 WAS PVS, CSA ADDED IN NOTES AND MODIFIED MATERIAL TABLE.	
	DIMENSION UNITS	SCALE		
	INCH/MM	NTS		
	GENERAL TOLERANCES (UNLESS SPECIFIED)			
	mm	INCH		
	4 PLACES	±----	±----	
	3 PLACES	±----	±----	
	2 PLACES	±----	±----	
	1 PLACE	±----	±----	
	0 PLACES	±----	±----	
	ANGULAR TOL	± ---- °		
DRAFT WHERE APPLICABLE MUST REMAIN WITHIN DIMENSIONS		THIRD ANGLE PROJECTION	DRAWING	SERIES
			B-SIZE	130015
			MATERIAL NUMBER	CUSTOMER
			SEE_CHART	GENERAL MARKET
			DOCUMENT NUMBER	DOC TYPE/DOC PART/REVISION
			SD-130015-027	PSD 001 B
			SHEET NUMBER	1 OF 1