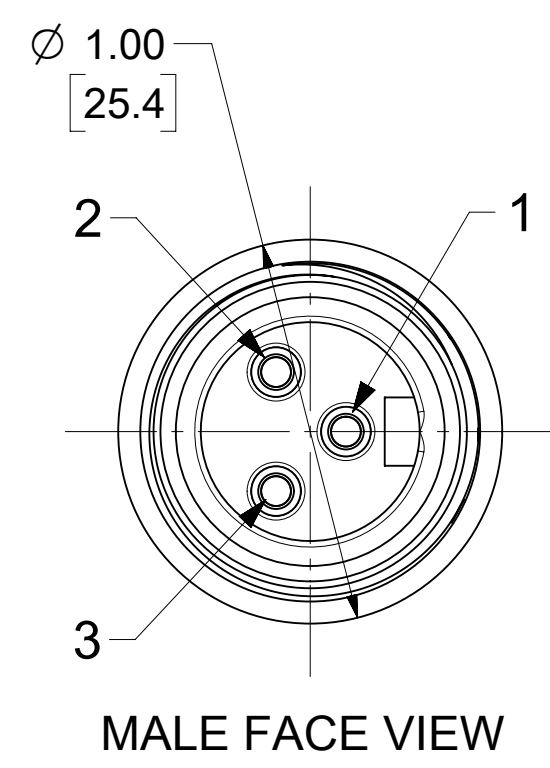
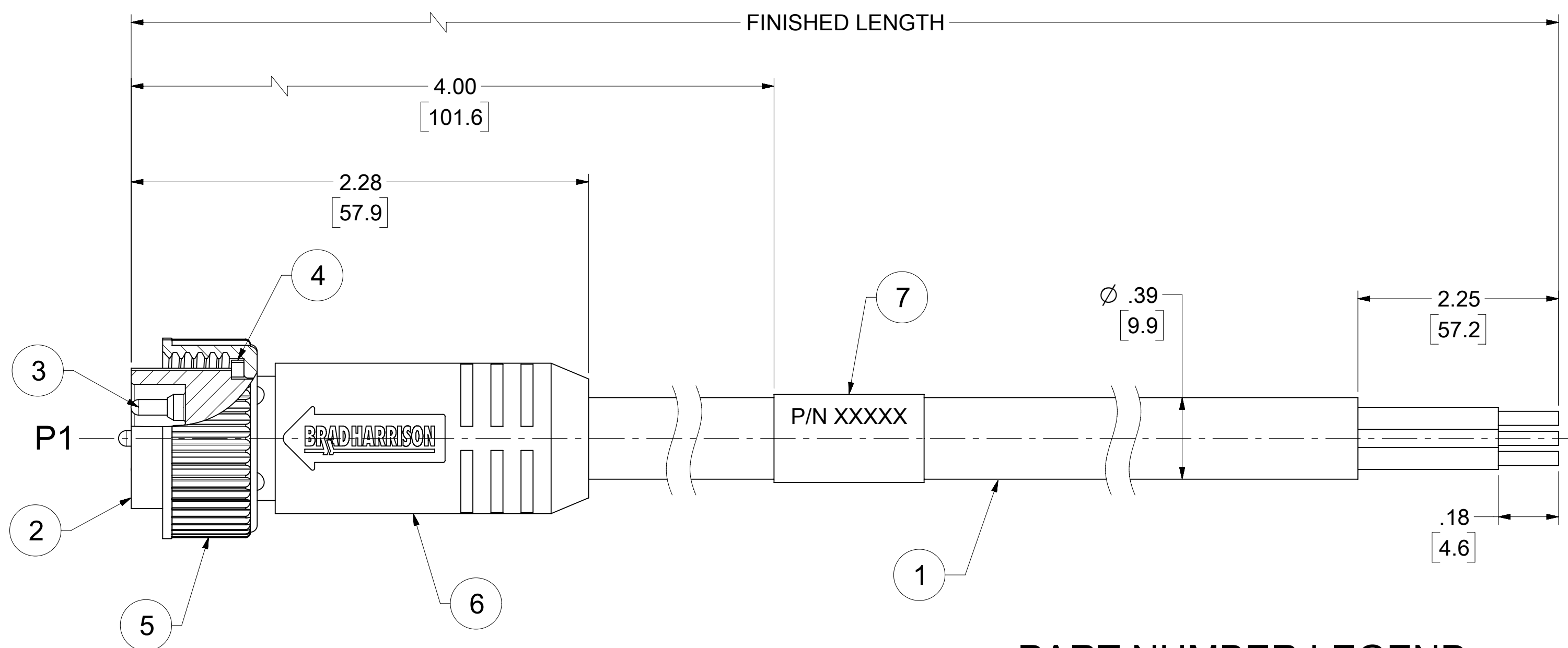
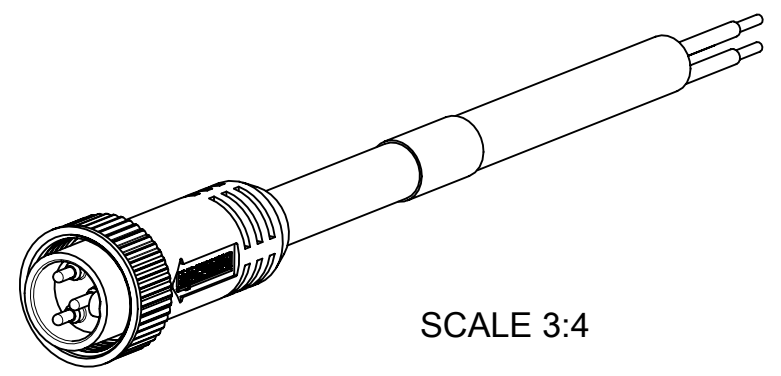


MATERIAL NO.	ENGINEERING NO.	FINISHED LENGTH
1300060529	103002A01F030	3 FT. (0.91 M)
1300060549	103002A01F200	20 FT. (6.10 M)
1300062597	103002A01F270	27 FT. (8.23 M)

CABLE LENGTH TOLERANCES
 <.3M [1FT]: +19mm-0 [+.75in-0]
 .3 - .9M [1 - 3FT]: +44.5mm-0 [+1.75in-0]
 .9 - 1.8M [3 - 6FT]: +55.6mm-0 [+2.19in-0]
 1.8 - 3.7M [6 - 12FT]: +88.9mm-0 [+3.50in-0]
 3.7 - 7.3M [12 - 24FT]: +165.1mm-0 [+6.50in-0]
 7.3-14.6M [24 - 48FT]: +317.5mm-0 [+12.50in-0]
 14.6 - 30.5M [48-100FT]: +622.3mm-0 [+24.50in-0]
 OVER 30M [100FT] +2% OF FINISHED LENGTH



- NOTES:**
- MATERIAL: AS NOTED
 - FINISH: AS NOTED
 - ELECTRICAL:
 VOLTAGE: 500V PER IEC60664
 600V PER UL2238
 CURRENT: 13A
 - TEMP RATING: -20°C TO +105°C
 - PROTECTION: IP67 (WHEN MATED)
 - CSA CERTIFIED FILE: LR6837
 - UL RECOGNIZED FILE: E152210
 - COUPLING THREAD: 7/8"-16 UN
 - ALL DIMS ARE FOR REFERENCE UNLESS TOLERANCED OR NOTED OTHERWISE

WIRING DIAGRAM

P1	Color
1	GREEN/YELLOW
2	BLACK
3	WHITE

PART NUMBER LEGEND

103002A01F030

FINISHED LENGTH
 F001 = 0.1 FT.
 F010 = 1.0 FT.
 F100 = 10 FT.

ITEM	DESCRIPTION	MATERIAL	FINISH
7	WRAP LABEL	VINYL	BLACK/YELLOW
6	OVERMOLD	TPE	YELLOW
5	COUPLING NUT	ZINC DIE-CAST	BLACK E-COAT
4	FRICTION RING	NYLON	WHITE
3	PIN CONTACT	Cu ALLOY	GOLD OVER NICKEL
2	MALE INSERT	TPE	YELLOW
1	#16-3 CABLE,STOOW/ST	PVC JACKET	YELLOW

FUNCTIONAL SYMBOLS	THIS DRAWING CONTAINS INFORMATION THAT IS PROPRIETARY TO MOLEX ELECTRONIC TECHNOLOGIES, LLC AND SHOULD NOT BE USED WITHOUT WRITTEN PERMISSION			
	DIMENSION UNITS	SCALE	CURRENT REV DESC: UPDATED ITEM #2.6 WERE PVC 7 WAS PLASTIC FILM, AND MATERIAL P/N TABLE. ADDED CSA, UL, IEC VOLT, TEMP RATING, IP RATING, TOL. CHART	
	INCH/MM	1:1	EC NO: 718076	
	GENERAL TOLERANCES (UNLESS SPECIFIED)		DRWN: VHANDI 2021/09/19	
DIVISIONAL SYMBOLS	4 PLACES	±	±	2022/08/18
	3 PLACES	±	±	2022/08/22
	2 PLACES	±	±	2022/08/22
	1 PLACE	±	±	
0 PLACES	±	±		
ANGULAR TOL		±	°	
DRAFT WHERE APPLICABLE MUST REMAIN WITHIN DIMENSIONS		THIRD ANGLE PROJECTION		DRAWING SERIES
		C-SIZE		130006

INITIAL REVISION:		DOCUMENT NUMBER		DOC TYPE	DOC PART	REVISION
DRWN: LHARTMANN 2009/06/05		SD-130006-003		PSD	001	D
APPR: JFMURPHY 2009/06/08		MATERIAL NUMBER		CUSTOMER		SHEET NUMBER
		SEE TABLE		GENERAL MARKET		1 OF 1