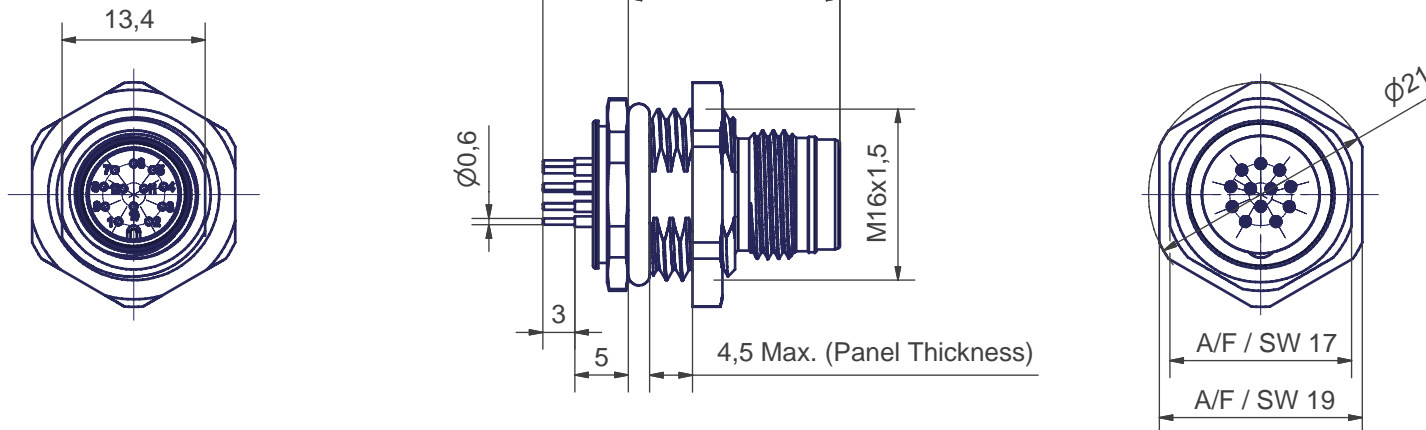
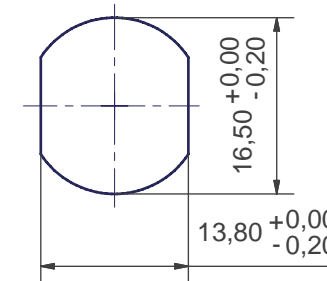


|             |            |
|-------------|------------|
| Eng Part No | SAP        |
| WRCU46000   | 1200845091 |



| Allgemeine Kennwerte<br>General Characteristics |                                 | Norm Standard           |                                 |  |
|---|---------------------------------|-------------------------|---------------------------------|--|
| Polzahl   | Number of contacts              | IEC 947-5-2             | 12                              |  |
| Kontaktanordnung                                | Contact configuration           |                         |                                 |  |
| Bemessungsspannung                              | Rated Voltage                   | IEC 664                 | 30V AC / DC                     |  |
| Verschmutzungsgrad                              | Pollution Degree                | IEC 664                 | 3                               |  |
| Betriebsstrom                                   | Current carrying capacity       | IEC 512-3<br>Test 5 b   | 1,5A                            |  |
| Durchgangswiderstand                            | Contact Resistance              | IEC 512-2<br>Test 2 A   | < 5mOhm                         |  |
| Bemessungsstoßspannung                          | Rated Impulse Withstand Voltage | IEC 664                 | 0,85kV                          |  |
| Prüfspannung                                    | Test Voltage                    | IEC 60512-2<br>Test 4 A | 0,5kV / 60 sec                  |  |
| Isolationswiderstand                            | Insulation Resistance           | IEC 512-2<br>Test 3 A   | < 10 GOhm                       |  |
| IP - Schutzart                                  | IP Degree Of Protection         | IEC 529                 | IP 67                           |  |
| Stift Durchmesser                               | Pin Diameter                    |                         | 0,6mm                           |  |
| Werkstoffe                                      | Kontakte                        | Materials               | Kontakte                        | Kupferlegierung / copper alloy               |
|   | Kontaktfläche                   |                         | Kontakte Plating                | Au/Ni  |
|   | Kontaktträger                   |                         | Dielectric Material             | PA 6.6                                       |
|   | Dichtung (O-Ring)               |                         | Gaskets (O-Ring)                | NBR  |
|   | Gehäuse                         |                         | Housing                         | CuZn mit Ni-Oberfläche / Nickel Plated Brass |
| Anschlußart                                     | Termination                     |                         | Einlöt / Solder                 |  |
| Brennbarkeit                                    | Kontaktträger                   | Flammfähigkeit          | Inserts                         | UL 94  |
|   | Leitung / Kabel                 |                         | Cable                           | VDE 0472 / 804                               |
| Mechanische Lebensdauer                         | Mechanical Operation            |                         | 500 Steckzyklen / Mating Cycles |  |
| Temperaturbereich                               | Temperature Range               | IEC 60668-1             | -25°C / +90°C                   |  |

Panel Cutout



(1:1)



|  |                             |   |                  |      |                                |              |                        |
|--|-----------------------------|---|------------------|------|--------------------------------|--------------|------------------------|
| EC NO: WEU2010-0369<br>DRWN: NS 16.02.10<br>CHKD: FP 13.11.08<br>APPR: FP 18.02.10 | QUALITY SYMBOLS<br>=0<br>=0 | GENERAL TOLERANCES (UNLESS SPECIFIED)   | DIMENSION STYLE  |      | SCALE                          | DESIGN UNITS | FIRST ANGLE PROJECTION |
|  |                             |   | mm               | INCH | 2:1                            | METRIC       |                        |
|  |                             |   | DRAWN BY DATE    |      | MIC 12-P REC Male-Back-M16x1.5 |              |                        |
| DESCRIPTION  | REV                         | DRAFT WHERE APPLICABLE MUST REMAIN WITHIN DIMENSIONS  | DRAWN BY DATE    |      | MOLEX INCORPORATED             |              | SHEET NO. 1 OF 1       |
|  |                             |   | CHECKED BY DATE  |      | SD-WRCU46000                   |              |                        |
|  |                             |   | APPROVED BY DATE |      | MATERIAL NO. DOCUMENT NO.      |              |                        |
| SIZE A3  |                             | THIS DRAWING CONTAINS INFORMATION THAT IS PROPRIETARY TO MOLEX INCORPORATED AND SHOULD NOT BE USED WITHOUT WRITTEN PERMISSION |                  |      |                                |              |                        |