

MATERIALS AND FINISHES

BODY: BRASS
 PLATED TRI-M3

CONTACT: PHOSPHOR BRONZE
 PLATED SILVER

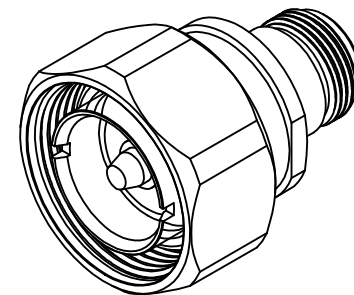
CONTACT PIN: BRASS
 PLATED SILVER

COUPLING NUT: BRASS
 PLATED NICKEL

PERFORMANCE REQUIREMENTS:

FREQUENCY RANGE: DC-3000MHZ
 TEMPERATURE RANGE: -40-+85°C
 IMPEDANCE: 50 OHM
 WITHSTANDING VOLTAGE(AC): 2500V @0.5mA
 VSWR: ≤1.05(0-1000MHZ);
 ≤1.06(1000-2200MHZ); ≤1.10(2200-3000MHZ)
 PIM3(2x20W):≤-160dBC @900MHZ AND 1800MHZ
 PIM7(2x20W):≤-160dBC @2100MHZ
 WATER-PROOF: IP68 WHEN MATED

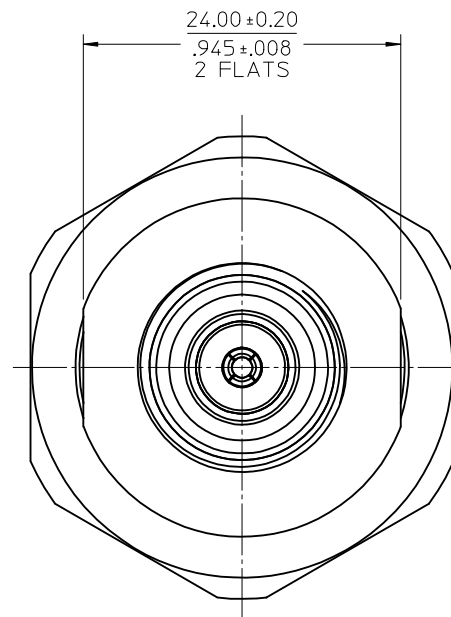
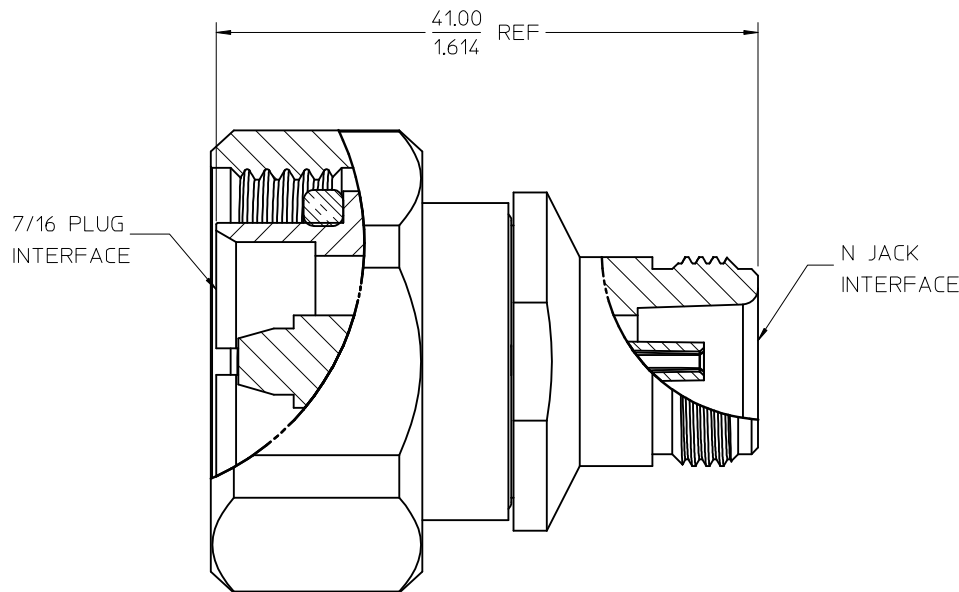
NOTE: WHEN SHIPPED
 WITH POLYETHYLENE DUST
 CAPS ON CONNECTORS



INSULATOR: TEFLON

O-RING: SILICON RUBBER

DUST CAP: PE



| | |
|------------|-------------|
| 73386-7401 | ACOME BOX |
| 73386-7400 | NEUTRAL BOX |
| PART NO. | PACKAGING |

| | |
|---------------|-----------------------|
| IEC 60169-16 | INTERFACE (N PORT) |
| IEC 60169-4 | INTERFACE (7/16 PORT) |
| SPECIFICATION | DESCRIPTION |

| | | | | | | | | |
|---|--------------------------------------|--|--|---------------------------|------------------------------|------------------------|---|--------------------|
| CHG: ADD NEW PN. 73386-7401 EC NO: URF2014-0484 DRAWN: YHUANG11 2014/02/18 CHKD: APPR: SRZHAO 2014/03/18 | QUALITY SYMBOLS ∇=0 ∇=0 ∇=0 | GENERAL TOLERANCES (UNLESS SPECIFIED) | | DIMENSION STYLE MM/IN | SCALE METRIC | THIRD ANGLE PROJECTION | | |
| | | 4 PLACES ± --- ± --- 3 PLACES ± --- ± --- 2 PLACES ± --- ± --- 1 PLACE ± --- ± --- 0 PLACE ± --- ± --- | | DRAWN BY YHUANG11 | DATE 2013/10/31 | | TITLE ADAPTOR, 50 OHM 7/16 PLUG TO N JACK | |
| | | ANGULAR ± 2 ° | | CHECKED BY MXU11 | DATE 2013/10/31 | | APPROVED BY SRZHAO | DATE 2014/01/20 |
| | | DRAFT WHERE APPLICABLE MUST REMAIN WITHIN DIMENSIONS | | MATERIAL NO. SEE TABLE | DOCUMENT NO. SD-73386-740 | | | |