

MATERIALS AND FINISHES

BODY: BRASS  
PLATED TRI-M3

CONTACT: PHOSPHOR BRONZE  
PLATED SILVER

SCREW(STUD): STAINLESS STEEL

INSULATOR: TEFLON

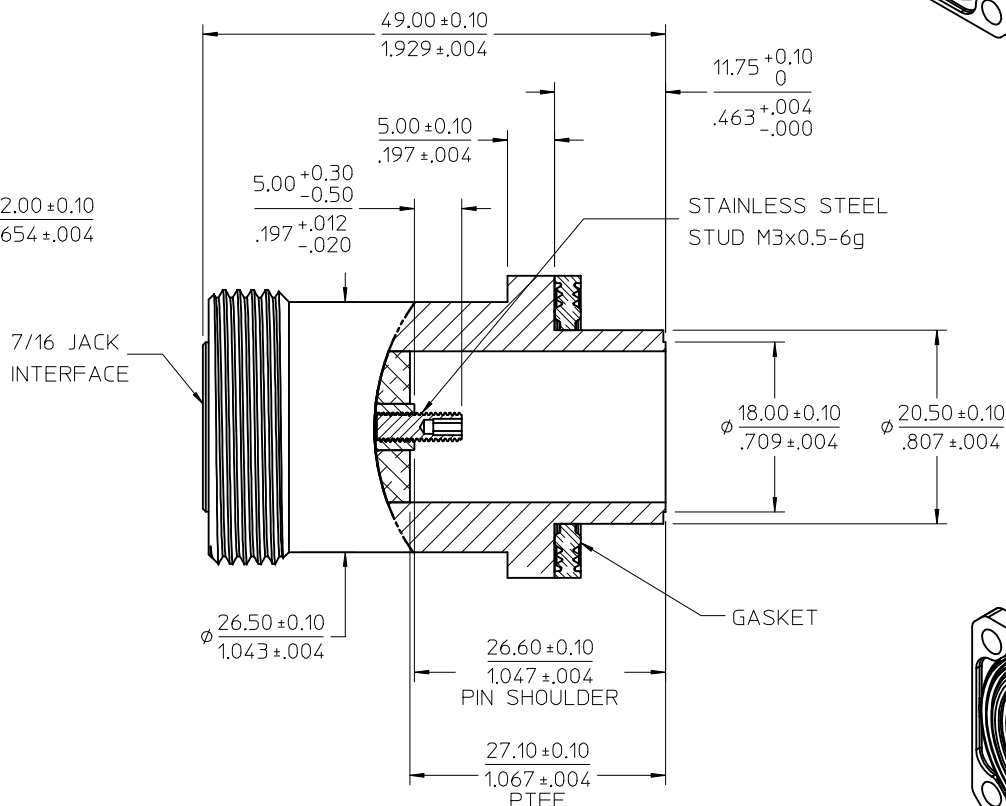
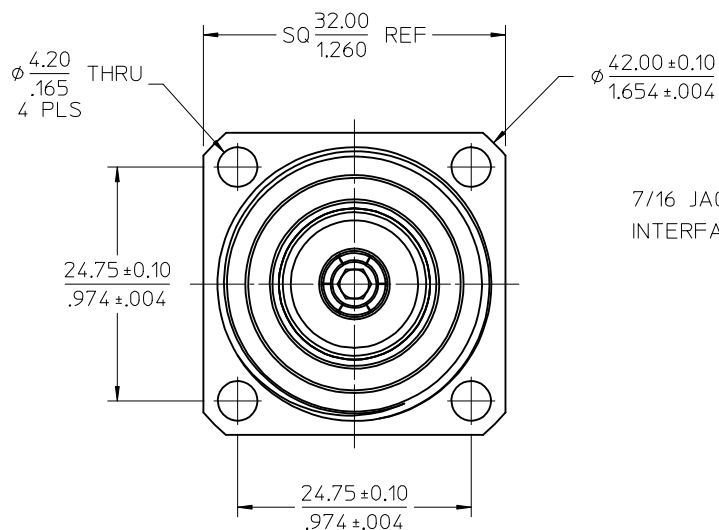
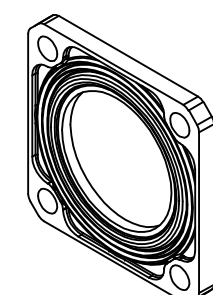
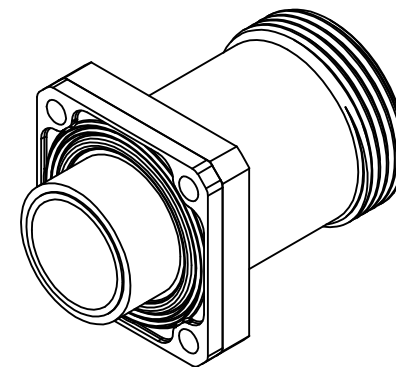
O-RING,GASKET: SILICONE RUBBER

PERFORMANCE REQUIREMENTS:

FREQUENCY RANGE: DC-7500MHz  
TEMPERATURE RANGE: -55~+155°C  
IMPEDANCE: 50 OHM  
WITHSTAND VOLTAGE(AC): 4000V @0.5mA  
RETURN LOSS: ≤-28dB @DC~4000MHz;  
≤-18dB @4000~7500MHz  
PIM3(2x20W): ≤-163dBC @900MHz AND 1800MHz  
WATERPROOF(UNMATED): IP68

MATING CYCLES: 500 MIN  
CONTACT CAPTIVATION:  
AXIAL FORCE: 200N (FROM INTERFACE)  
RADIAL TORQUE: 30Ncm  
COUPLING TORQUE: 25Nm

PACKAGING BY TRAY



PART # 73134-4900

IEC 60169-4	INTERFACE
SPECIFICATION	DESCRIPTION

CHG: NEW RELEASE PDR NO: PDRJ1411550 EC NO: URF2016-0095 DRWNYHUANG11 2014/12/25 CHKD:MXU11 2014/12/25 APPR:MYE08 2015/08/12	QUALITY SYMBOLS ∇=0 ∇=0 ∇=0	GENERAL TOLERANCES (UNLESS SPECIFIED)	DIMENSION STYLE	SCALE	DESIGN UNITS	THIRD ANGLE PROJECTION	
			MM/IN		METRIC		
		4 PLACES ± --- ± ---	DRAWN BY	DATE	TITLE		
		3 PLACES ± --- ± ---	YHUANG11	2014/12/02	7/16 JACK STR,FLANGE 50 OHM, 7/16-J		
2 PLACES ± --- ± ---	CHECKED BY	DATE	molex MATERIAL NO. 731344900 DOCUMENT NO. SD-73134-490 SHEET NO. 1 OF 1				
1 PLACE ± --- ± ---	MXU11	2014/12/25					
0 PLACE ± --- ± ---	APPROVED BY	DATE	THIS DRAWING CONTAINS INFORMATION THAT IS PROPRIETARY TO MOLEX INCORPORATED AND SHOULD NOT BE USED WITHOUT WRITTEN PERMISSION				
	MYE08	2015/08/12					
ANGULAR ± 2°		DRAFT WHERE APPLICABLE MUST REMAIN WITHIN DIMENSIONS					