

TLE9868QXB20

Microcontroller with LIN and H-Bridge MOSFET Driver for Automotive Applications

BF-Step

User's Manual

Rev. 1.3, 2017-07-05

Automotive Power

Table of Contents

1	Overview	13
1.1	Abbreviations	15
2	Block Diagram	17
3	Device Pinout and Pin Configuration	18
3.1	Device Pinout	18
3.2	Pin Configuration	19
4	Modes of Operation	22
5	Device Register Types	24
6	Power Management Unit (PMU)	25
6.1	Features	25
6.2	Introduction	25
6.2.1	Block Diagram	26
6.2.2	PMU Modes Overview	28
6.3	Power Supply Generation Unit (PGU)	31
6.3.1	Voltage Regulator 5.0V (VDDP)	31
6.3.2	Voltage Regulator 1.5V (VDDC)	33
6.3.3	External Voltage Regulator 5.0V (VDDEXT)	34
6.3.4	PMU Register Overview	36
6.3.5	Register Definition	36
6.3.5.1	Power Supply Generation Register	36
6.3.5.2	VDDEXT Control Register	40
6.4	Power Control Unit	41
6.4.1	Power Control Unit - Fail Safe Scenarios	41
6.4.1.1	Power Supervision Function of PCU	41
6.4.1.2	Watchdog (WDT1) Fail Safe	41
6.4.1.3	Main Regulators Fail Safe	43
6.4.2	Register Definition	44
6.4.2.1	PMU System Fail Register	44
6.5	Wake-Up Management Unit (WMU)	45
6.5.1	Functional Description	45
6.5.2	Register Definition	46
6.5.2.1	PMU Wake-Up Configuration Register	47
6.5.2.2	PMU Wake-Up Status Register	48
6.6	Cyclic Management Unit (CMU)	50
6.6.1	Functional Description	50
6.6.2	Cyclic Wake Mode	50
6.6.3	Register Definition	50
6.6.3.1	Cyclic Wake Configuration Registers (CYCMU)	51
6.7	Reset Management Unit (RMU)	54
6.7.1	Functional Description	54
6.7.2	Register Definition	58
6.7.2.1	Reset Management Unit Registers (RMU)	59
6.8	PMU Data Storage Area	62
6.8.1	Functional Description	62
6.8.2	Register Definition	62
6.8.2.1	Data Storage Registers	63

7	System Control Unit - Digital Modules (SCU-DM)	69
7.1	Features	69
7.2	Introduction	69
7.2.1	Block Diagram	70
7.2.2	SCU Register Overview	71
7.2.2.1	Register Map	71
7.3	Clock Generation Unit	73
7.3.1	Low Precision Clock	74
7.3.2	High Precision Oscillator Circuit (OSC_HP)	74
7.3.2.1	External Input Clock Mode	74
7.3.2.2	External Crystal Mode	74
7.3.3	Phase-Locked Loop (PLL) Module	75
7.3.3.1	Features	75
7.3.3.2	PLL Functional Description	76
7.3.3.3	Oscillator Watchdog	80
7.3.3.4	PLL VCO Lock Detection	80
7.3.3.5	Internal Oscillator (OSC_PLL)	80
7.3.3.6	Switching PLL Parameters	81
7.3.3.7	Oscillator Watchdog Event or PLL Loss of Lock Detection	81
7.3.3.8	Oscillator Watchdog Event or Loss of Lock Recovery	81
7.3.4	Clock Control Unit	82
7.3.4.1	Clock Tree	84
7.3.4.2	Startup Control for System Clock	84
7.3.5	External Clock Output	85
7.3.6	CGU Registers	85
7.3.6.1	PLL Oscillator Register	86
7.3.6.2	PLL Registers	88
7.3.6.3	System Clock Control Registers	93
7.3.6.4	Analog Peripherals Clock Control Registers	94
7.3.6.5	External Clock Control Register	100
7.4	Reset Control	102
7.4.1	Types of Reset	102
7.4.2	Overview	102
7.4.3	Module Reset Behavior	102
7.4.4	Functional Description of Reset Types	104
7.4.4.1	Power-On / Brown-out Reset	104
7.4.4.2	Wake-up Reset	104
7.4.4.3	Hardware Reset	104
7.4.4.4	WDT1 Reset	104
7.4.4.5	WDT / Soft Reset	104
7.4.5	Reset Register Description	105
7.4.6	Bootling Scheme	106
7.5	Power Management	107
7.5.1	Overview	107
7.5.2	Functional Description	108
7.5.2.1	Slow Down Mode	108
7.5.2.2	Sleep Mode	108
7.5.3	Register Description	109
7.6	Interrupt Management	110
7.6.1	Overview	110
7.6.1.1	External Interrupts	110

7.6.1.2	Extended Interrupts	111
7.6.2	Interrupt Node Assignment	111
7.6.3	Interrupt Related Registers	113
7.6.3.1	Interrupt Event Enable Control	113
7.6.4	NMI Event Flags Handling	117
7.7	General Port Control	118
7.7.1	Input Pin Function Selection	118
7.7.2	Port Output Control	122
7.8	Flexible Peripheral Management	128
7.8.1	Peripheral Management Registers	129
7.9	Module Suspend Control	131
7.10	Watchdog Timer	134
7.10.1	Functional Description	135
7.10.2	Register Description	136
7.11	Error Detection and Correction Control for Memories	138
7.11.1	Error Detection and Correction Control Register	138
7.11.2	Error Detection and Correction Status Register	140
7.12	Miscellaneous Control	142
7.12.1	Bit Protection Register	142
7.12.2	System Control and Status Registers	143
8	System Control Unit - Power Modules (SCU-PM)	152
8.1	Features	152
8.2	Introduction	152
8.2.1	Block Diagram	152
8.3	Clock Watchdog Unit (CWU)	153
8.3.1	Fail Safe Functionality of Clock Generation Unit (Clock Watchdog)	153
8.3.1.1	Functional Description of Clock Watchdog Module	154
8.3.2	Clock Generation Unit Register	155
8.4	Interrupt Control Unit (ICU)	158
8.4.1	Structure of PREWARN_SUP_NMI	158
8.4.2	Interrupt Control Unit Status Register	160
8.4.2.1	Interrupt Control Unit Status Overview Register	160
8.4.2.2	Interrupt Control Unit - Interrupt Enable Register	173
8.5	Power Control Unit for Power Modules (PCU_PM)	178
8.5.1	VSD-Overvoltage System Shutdown	179
8.5.2	Overtemperature System Shutdown	180
8.5.3	Power Control Unit Register	181
8.6	MISC Control	182
8.6.1	Bus Faults	182
8.6.1.1	Bus Fault Control Register	183
9	ARM Cortex-M3 Core	188
9.1	Features	188
9.2	Introduction	189
9.2.1	Block Diagram	189
9.3	Functional Description	189
9.3.1	Registers	190
9.3.1.1	General-Purpose Registers	190
9.3.1.2	Special-Purpose Program Status Registers (xPSR)	191
9.4	Summary of Processor Registers	192
9.5	Instruction Set Summary	232

10	Address Space Organization	236
11	Memory Control Unit	241
11.1	Features	241
11.2	Introduction	241
11.2.1	Block Diagram	241
11.3	NVM Module (Flash Memory)	243
11.3.1	Definitions	243
11.3.1.1	General Definitions	243
11.3.2	Functional Description	246
11.3.2.1	Basic Block Functions	246
11.3.2.2	Memory Cell Array	247
11.3.2.3	SFR Accesses	248
11.3.2.4	Memory Read	248
11.3.2.5	Memory Write	248
11.3.2.6	Timing	249
11.3.2.7	Verify	249
11.3.2.8	Tearing-Safe programming	249
11.3.2.9	Disturb handling	249
11.3.2.10	ECC and EDC	249
11.3.2.11	Resume from disturbed Program/Erase operation	250
11.3.2.12	Code and Data Access through the AHB-Lite Interface	250
11.3.2.13	Prefetch Unit	250
11.4	BootROM Module	251
11.4.1	BootROM addressing	251
11.4.2	BootROM firmware program structure	251
11.5	RAM Module	251
11.5.1	RAM Addressing	251
11.6	Memory Protection Unit (MPU)	252
12	Interrupt System	253
12.1	Features	253
12.2	Introduction	253
12.2.1	Overview	253
12.3	Functional Description	255
12.3.1	Interrupt Node Assignment	255
12.3.1.1	Interrupt Node 0 and 1 - GPT12 Timer Module	255
12.3.1.2	Interrupt Node 2 - Measurement Unit	256
12.3.1.3	Interrupt Node 3 - 10 Bit ADC (ADC1)	257
12.3.1.4	Interrupt Nodes 4/5/6/7 - Capture Compare Unit (CCU6)	258
12.3.1.5	Interrupt Node 8 and 9 - SSC1/SSC2	259
12.3.1.6	Interrupt Node 10 - UART1/LIN Transceiver	260
12.3.1.7	Interrupt Node 11 - UART2	261
12.3.1.8	Interrupt Node 12 - External Interrupt 0/MON	262
12.3.1.9	Interrupt Node 13 - External Interrupt 1	262
12.3.1.10	Interrupt Node 14 - Bridge Driver	263
12.3.1.11	Non Maskable Interrupt (NMI)	263
12.3.1.12	Interrupt Flags Overview	265
12.3.2	Interrupt Structure	272
12.3.2.1	Interrupt Structure 1	272
12.3.3	Interrupt Source and Vector	272
12.3.4	Interrupt Priority	274

Table of Contents

12.4	Interrupt Handling	275
12.5	Register Definition	276
12.5.1	Interrupt Node Enable Registers	276
12.5.2	External Interrupt Control Registers	278
12.5.3	Interrupt Flag Registers	280
12.6	Interrupt Priority Registers	290
13	Watchdog Timer (WDT1)	291
13.1	Features	291
13.2	Introduction	292
13.3	Functional Description	292
13.3.1	Modes of Operation	292
13.3.2	Normal Operation	292
13.4	Register Definition	296
14	GPIO Ports and Peripheral I/O	298
14.1	Features	298
14.2	Introduction	298
14.2.1	Port 0 and Port 1	298
14.2.2	Port 2	301
14.3	General Port Register Description	302
14.3.0.1	Port Data Register	303
14.3.1	Direction Register	303
14.3.2	Open Drain Control Register	304
14.3.3	Pull-Up/Pull-Down Device Register	304
14.3.3.1	Alternate Input Functions	306
14.3.4	Alternate Output Functions	306
14.3.5	Register Map	307
14.4	TLE9868QXB20 Port Module	308
14.4.1	Port 0	308
14.4.1.1	Overview	308
14.4.1.2	Port 0 Functions	308
14.4.1.3	Port 0 Register Description	311
14.4.2	Port 1	314
14.4.2.1	Overview	314
14.4.2.2	Port 1 Functions	314
14.4.2.3	Port 1 Register Description	317
14.4.3	Port 2	321
14.4.3.1	Overview	321
14.4.3.2	Port 2 Functions	321
14.4.3.3	Port 2 Register Description	323
14.5	Alternate Function Map	324
15	General Purpose Timer Units (GPT12)	326
15.1	Features	326
15.1.1	Features Block GPT1	326
15.1.2	Features Block GPT2	326
15.2	Introduction	326
15.2.1	Block Diagram GPT1	327
15.2.2	Block Diagram GPT2	328
15.3	Timer Block GPT1	329
15.3.1	GPT1 Core Timer T3 Control	330
15.3.2	GPT1 Core Timer T3 Operating Modes	332

Table of Contents

15.3.3	GPT1 Auxiliary Timers T2/T4 Control	338
15.3.4	GPT1 Auxiliary Timers T2/T4 Operating Modes	339
15.3.5	GPT1 Clock Signal Control	347
15.3.6	Interrupt Control for GPT1 Timers	349
15.3.7	GPT1 Registers	350
15.3.7.1	GPT1 Timer Registers	350
15.3.7.2	GPT1 Timer Control Registers	351
15.3.7.3	GPT1 Timer Interrupt Control Registers	359
15.4	Timer Block GPT2	360
15.4.1	GPT2 Core Timer T6 Control	361
15.4.2	GPT2 Core Timer T6 Operating Modes	363
15.4.3	GPT2 Auxiliary Timer T5 Control	366
15.4.4	GPT2 Auxiliary Timer T5 Operating Modes	367
15.4.5	GPT2 Register CAPREL Operating Modes	371
15.4.6	GPT2 Clock Signal Control	376
15.4.7	Interrupt Control for GPT2 Timers and CAPREL	378
15.4.8	GPT2 Registers	379
15.4.8.1	GPT2 Timer Registers	379
15.4.8.2	GPT2 Timer Control Registers	380
15.4.8.3	GPT2 Timer and CAPREL Interrupt Control Registers	385
15.5	Miscellaneous GPT12 Registers	386
15.6	Register Map	389
15.7	Implementation of the GPT12 Module	390
15.7.1	Module Connections	390
16	Timer2 and Timer21	393
16.1	Features	393
16.2	Introduction	393
16.2.1	Timer2 and Timer21 Modes Overview	393
16.3	Functional Description	394
16.3.1	Auto-Reload Mode	394
16.3.1.1	Up/Down Count Disabled	394
16.3.1.2	Up/Down Count Enabled	396
16.3.2	Capture Mode	397
16.3.3	Count Clock	397
16.4	Module Interfaces	399
16.4.1	Interfaces of the Timer2 and Timer21	399
16.5	Interrupt Generation	400
16.6	Register Definition	401
16.6.1	Timer 2 Registers	401
16.6.1.1	Mode Register	401
16.6.1.2	Control Register	402
16.6.1.3	Timer 2 Reload/Capture Register	404
16.6.1.4	Timer 2 Count Register	405
16.6.2	Register Map	406
17	Timer3	407
17.1	Features	407
17.2	Introduction	407
17.3	Functional Description	407
17.3.1	Timer3 Modes Overview	408
17.3.2	Mode 0	410

Table of Contents

17.3.3	Mode 1a	411
17.3.4	Mode 1b	412
17.3.5	Mode 2	413
17.3.6	Mode 3a	414
17.3.7	Mode 3b	415
17.4	Interrupts	415
17.5	Register Definition	417
17.5.1	Timer 3 Control Registers	417
18	Capture/Compare Unit 6 (CCU6)	425
18.1	Feature Set Overview	425
18.2	Introduction	427
18.2.1	Block Diagram	427
18.3	Operating Timer T12	428
18.3.1	T12 Overview	429
18.3.2	T12 Counting Scheme	431
18.3.2.1	Clock Selection	431
18.3.2.2	Edge-Aligned / Center-Aligned Mode	432
18.3.2.3	Single-Shot Mode	434
18.3.3	T12 Compare Mode	435
18.3.3.1	Compare Channels	435
18.3.3.2	Channel State Bits	435
18.3.3.3	Hysteresis-Like Control Mode	440
18.3.4	Compare Mode Output Path	441
18.3.4.1	Dead-Time Generation	441
18.3.4.2	State Selection	443
18.3.4.3	Output Modulation and Level Selection	444
18.3.5	T12 Capture Modes	446
18.3.6	T12 Shadow Register Transfer	449
18.3.7	Timer T12 Operating Mode Selection	450
18.4	Operating Timer T13	451
18.4.1	T13 Overview	451
18.4.2	T13 Counting Scheme	453
18.4.2.1	Clock Selection	453
18.4.2.2	T13 Counting	453
18.4.2.3	Single-Shot Mode	454
18.4.2.4	Synchronization to T12	454
18.4.3	T13 Compare Mode	456
18.4.4	Compare Mode Output Path	457
18.4.5	T13 Shadow Register Transfer	459
18.5	Trap Handling	460
18.6	Multi-Channel Mode	462
18.7	Hall Sensor Mode	464
18.7.1	Hall Pattern Evaluation	464
18.7.2	Hall Pattern Compare Logic	466
18.7.3	Hall Mode Flags	467
18.7.4	Hall Mode for Brushless DC-Motor Control	468
18.8	General Module Operation	470
18.8.1	Input Selection	470
18.9	Module Interfaces	470
18.9.1	Interfaces of the CCU6 Module	470
18.10	Interrupt Handling	472

Table of Contents

18.10.1	Interrupt Structure	472
18.11	Register Definition	474
18.11.1	CCU6 Register Description	474
18.11.1.1	System Registers	475
18.11.2	Timer 12 – Related Registers	478
18.11.3	Timer 13 – Related Registers	486
18.11.4	Capture/Compare Control Registers	489
18.11.5	Global Modulation Control Registers	500
18.11.6	Multi-Channel Modulation Control Registers	505
18.11.7	Interrupt Control Registers	511
18.11.8	Register Map	522
19	UART1/UART2	523
19.1	Features	523
19.2	Introduction	523
19.2.1	Block Diagram	523
19.3	UART Modes	524
19.3.1	Mode 0, 8-Bit Shift Register, Fixed Baud Rate	524
19.3.2	Mode 1, 8-Bit UART, Variable Baud Rate	524
19.3.3	Mode 2, 9-Bit UART, Fixed Baud Rate	526
19.3.4	Mode 3, 9-Bit UART, Variable Baud Rate	527
19.4	Multiprocessor Communication	528
19.5	Baud Rate Generation	529
19.5.1	Baud-rate Generator	529
19.6	LIN Support in UART	531
19.6.1	LIN Protocol	531
19.6.2	LIN Header Transmission	532
19.6.2.1	Automatic Synchronization to the Host	532
19.6.2.2	Initialization of Break/Synch Field Detection Logic	533
19.6.2.3	Baud Rate Range Selection	533
19.6.2.4	LIN Baud Rate Detection	535
19.7	Module Interfaces	537
19.8	Interrupts	539
19.9	Register Definition	539
19.9.1	UART Registers	539
19.9.1.1	UART Control Registers	539
19.9.1.2	Baud-Rate Generator Control and Status Registers	542
19.9.1.3	Baud-Rate Generator Timer/Reload Registers	545
19.9.2	Register Map	547
20	LIN Transceiver	548
20.1	Features	548
20.2	Introduction	549
20.2.1	Block Diagram	549
20.3	Functional Description	549
20.3.1	LIN Transceiver Modes	550
20.3.2	LIN Transceiver Status for Mode Selection	553
20.3.3	LIN Transceiver Error Handling	553
20.3.4	Slope Modes	554
20.3.5	LIN Transceiver Slope Mode Status	554
20.4	Register Definition	555
21	High-Speed Synchronous Serial Interface (SSC1/SSC2)	558

Table of Contents

21.1	Features	558
21.2	Introduction	559
21.2.1	Block Diagram	559
21.3	Functional Description	560
21.3.1	SSC1 and SSC2 Modes Overview	560
21.3.2	Operating Mode Selection	561
21.3.3	Full-Duplex Operation	562
21.3.4	Half-Duplex Operation	565
21.3.5	Continuous Transfers	565
21.3.6	Baud Rate Generation	566
21.3.7	Error Detection Mechanisms	567
21.3.7.1	Port Control	568
21.4	Module Interfaces	569
21.4.1	Interfaces of the SSC Module	569
21.5	Interrupts	571
21.6	Register Definition	572
21.6.1	SSC1 and SSC2 Register Definition	572
21.6.2	Port Input Select Register	572
21.6.2.1	Configuration Register	573
21.6.3	Baud Rate Timer Reload Register	577
21.6.4	Transmitter Buffer Register	577
21.6.5	Receiver Buffer Register	578
21.6.6	Register Map	578
22	Measurement Unit	579
22.1	Features	579
22.2	Introduction	579
22.2.1	Block Diagram	580
22.2.2	Measurement Unit Register Overview	581
22.3	8-bit - 10 Channel ADC Core (ADC2)	581
22.3.1	8-bit ADC Channel Allocation	582
22.3.2	Transfer Characteristics of ADC2	582
22.3.3	Detailed ADC2 Measurement Channel Description	582
22.3.4	8-bit - 10 Channel Control Registers	583
22.3.5	Port 2 ADC Selection Register	583
22.4	VDH Input Voltage Attenuator	586
22.4.1	Functional Description	586
22.4.2	VDH Input Attenuator Control Register	586
22.5	Central and PMU Regulator Temperature Sensor	589
22.5.1	Functional Description	589
22.5.2	Temperature Sensor Control Register	590
22.6	Supplement Modules	592
22.6.1	Functional Description	592
22.6.1.1	ADC2 Functional Safety Feature	592
22.6.2	Supplement Modules Control and Status Register	593
23	Measurement Core Module (incl. ADC2)	595
23.1	Features	595
23.2	Introduction	595
23.2.1	Block Diagram	595
23.2.2	Measurement Core Module Modes Overview	596
23.3	ADC2 - Core (8-bit ADC)	596

Table of Contents

23.3.1	Functional Description	596
23.3.2	ADC2 Control Registers	597
23.4	Channel Controller	599
23.4.1	Functional Description	599
23.4.2	Channel Controller Control Registers	602
23.5	Calibration Unit	621
23.5.1	Functional Description	621
23.5.1.1	Method for determining the Calibration Parameters	621
23.5.1.2	Setup of Calibration Unit	621
23.5.2	Calibration Unit Control Registers	623
23.6	IIR-Filter	627
23.6.1	Functional Description	627
23.6.1.1	Step Response	628
23.6.2	IIR Filter Control Registers	630
23.7	Signal Processing	645
23.7.1	Functional Description	645
23.7.2	Postprocessing Control Registers	647
23.8	Start-up Behavior after Reset	670
23.9	Postprocessing Default Values	670
24	10-Bit Analog Digital Converter (ADC1)	672
24.1	Features	672
24.2	Introduction	672
24.2.1	Block Diagram	673
24.2.2	ADC1 Modes Overview	674
24.3	ADC1 - Core (10-Bit ADC)	674
24.3.1	Functional Description	674
24.3.2	ADC1 Control and Status Registers	675
24.4	Channel Controller	679
24.4.1	Functional Description	680
24.4.2	Channel Controller Control Registers	681
24.5	Conversion Result Handling	694
24.5.1	Functional Description	694
24.5.2	Result Registers	694
24.6	Interrupts	704
24.6.1	Interrupt Registers	706
24.7	Module Interfaces	712
24.7.1	ADC1 Hardware Trigger Selection	712
25	14-Bit Sigma Delta ADC (ADC3 / ADC4)	713
25.1	Features	713
25.2	Functional Description	713
25.2.1	Input Voltage Range of SD ADC	715
25.2.2	Interpretation of ADC output code	715
25.2.3	Calculation of ADC output code	715
25.2.4	Offset Compensation	716
25.3	SD-ADC Control Register	717
26	High-Voltage Monitor Input	721
26.1	Features	721
26.2	Introduction	721
26.2.1	Block Diagram	721
26.3	Functional Description	722

Table of Contents

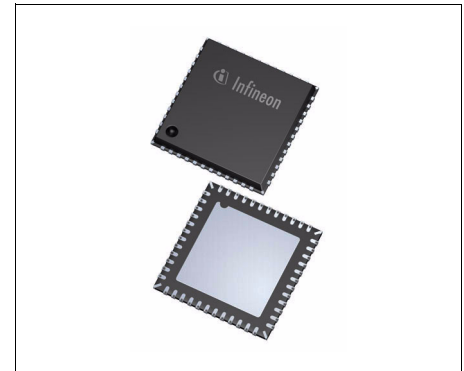
26.4	Register Definition	724
26.4.1	Monitor Input Registers	724
27	Bridge Driver (incl. Charge Pump)	726
27.1	Features	726
27.2	Introduction	726
27.2.1	Block Diagram	727
27.2.2	General	727
27.3	Functional Description	728
27.3.1	Normal Operation	728
27.3.2	PWM Operation	728
27.3.3	Supply-Generation of Driver	729
27.3.3.1	Clock Generator of Driver Supply	730
27.3.4	Overcurrent Detection - VDS measurement	730
27.3.5	OFF-State Short Circuit Detection	730
27.3.6	Channel turn on/off delay measurement	731
27.4	Application Hints	732
27.4.1	Bridge Driver Diagnosis	732
27.4.1.1	Off-Diagnosis	732
27.4.1.2	On-Diagnosis	734
27.4.1.3	Open-Load Detection	735
27.5	Register Definition	737
27.5.1	Driver Register	738
27.5.2	Driver Trimming Register	747
27.5.3	Charge Pump Control and Status Register	750
28	Application Information	753
28.1	Electric Drive Application	753
28.2	ESD Immunity According to IEC61000-4-2	755
29	Revision History	756



1 Overview

Summary of Features

- 32 bit ARM Cortex M3 Core
 - up to 20 MHz clock frequency
 - one clock per machine cycle architecture
- On-chip memory
 - 128 kByte Flash including
 - 4 kByte EEPROM (emulated in Flash)
 - 512 Byte 100 Time Programmable Memory (100TP)
 - 4 kByte RAM
 - Boot ROM for startup firmware and Flash routines
- On-chip OSC and PLL for clock generation
 - PLL loss-of-lock detection
- MOSFET driver including charge pump for H-Bridge Motor Application
- 10 general-purpose I/O Ports (GPIO)
- 5 analog inputs, 10-bit A/D Converter (ADC1)
- 2 differential Sigma Delta 14-bit ADC (ADC3/4)
- 16-bit timers - GPT12, Timer 2, Timer 21 and Timer 3
- Capture/compare unit for PWM signal generation (CCU6)
- 2 full duplex serial interfaces (UART) with LIN support (for UART1 only)
- 2 synchronous serial channels (SSC)
- On-chip debug support via 2-wire SWD
- 1 LIN 2.2 transceiver
- 1 high voltage monitoring input
- Single power supply from 5.5 V to 27 V
- Extended power supply voltage range from 3 V to 28 V
- Low-dropout voltage regulators (LDO)
- 5 V voltage supply for external loads (e.g. Hall sensor)
- Core logic supply at 1.5 V
- Programmable window watchdog (WDT1) with independent on-chip clock source
- Power saving modes
 - MCU slow-down Mode
 - Sleep Mode
 - Cyclic wake-up Sleep Mode
- Power-on and undervoltage/brownout reset generator
- Overtemperature protection



VQFN-48-31

Type	Package	Marking
TLE9868QXB20	VQFN-48-31	

- Short circuit protection
- Loss of clock detection with fail safe mode entry for low system power consumption
- Temperature Range T_J : -40 °C up to 150 °C
- Package VQFN-48 with LTI feature
- Green package (RoHS compliant)
- AEC qualified

1.1 Abbreviations

The following acronyms and terms are used within this document. List see in [Table 1](#).

Table 1 Acronyms

Acronyms	Name
AHB	Advanced High-Performance Bus
APB	Advanced Peripheral Bus
CCU6	Capture Compare Unit 6
CGU	Clock Generation Unit
CLKMU	Clock Management Unit
CMU	Cyclic Management Unit
CP	Charge Pump for MOSFET driver
DPP	Data Post Processing
ECC	Error Correction Code
EEPROM	Electrically Erasable Programmable Read Only Memory
EIM	Exceptional Interrupt Measurement
FSM	Finite State Machine
GPIO	General Purpose Input Output
H-Bridge	Half Bridge
ICU	Interrupt Control Unit
IEN	Interrupt Enable
IIR	Infinite Impulse Response
LDM	Load Instruction
LDO	Low DropOut voltage regulator
LIN	Local Interconnect Network
LSB	Least Significant Bit
LTI	Lead Tip Inspection
MCU	Memory Control Unit
MF	Measurement Functions
MSB	Most Significant Bit
MPU	Memory Protection Unit
MRST	Master Receive Slave Transmit
MTSR	Master Transmit Slave Receive
MU	Measurement Unit
NMI	Non Maskable Interrupt
NVIC	Nested Vector Interrupt Controller
NVM	Non-Volatile Memory
OTP	One Time Programmable
OSC	Oscillator
PBA	Peripheral Bridge

Table 1 Acronyms

Acronyms	Name
PC	Program Counter
PCU	Power Control Unit
PD	Pull Down
PGU	Power supply Generation Unit
PLL	Phase Locked Loop
PMU	Power Management Unit
PPB	Private Peripheral Bus
PSW	Program Status Word
PU	Pull Up
PWM	Pulse Width Modulation
RAM	Random Access Memory
RCU	Reset Control Unit
RMU	Reset Management Unit
ROM	Read Only Memory
SCU-DM	System Control Unit - Digital Modules
SCU-PM	System Control Unit - Power Modules
SFR	Special Function Register
SOW	Short Open Window (for WDT)
SPI	Serial Peripheral Interface
SSC	Synchronous Serial Channel
STM	Store Instruction
SWD	ARM Serial Wire Debug
TCCR	Temperature Compensation Control Register
TMS	Test Mode Select
TSD	Thermal Shut Down
UART	Universal Asynchronous Receiver Transmitter
VBG	Voltage reference Band Gap
VCO	Voltage Controlled Oscillator
VPRE	Pre Regulator
WDT	Watchdog Timer in SCU-DM
WDT1	Watchdog Timer in SCU-PM
WMU	Wake-up Management Unit
100TP	100 Time Programmable

2 Block Diagram

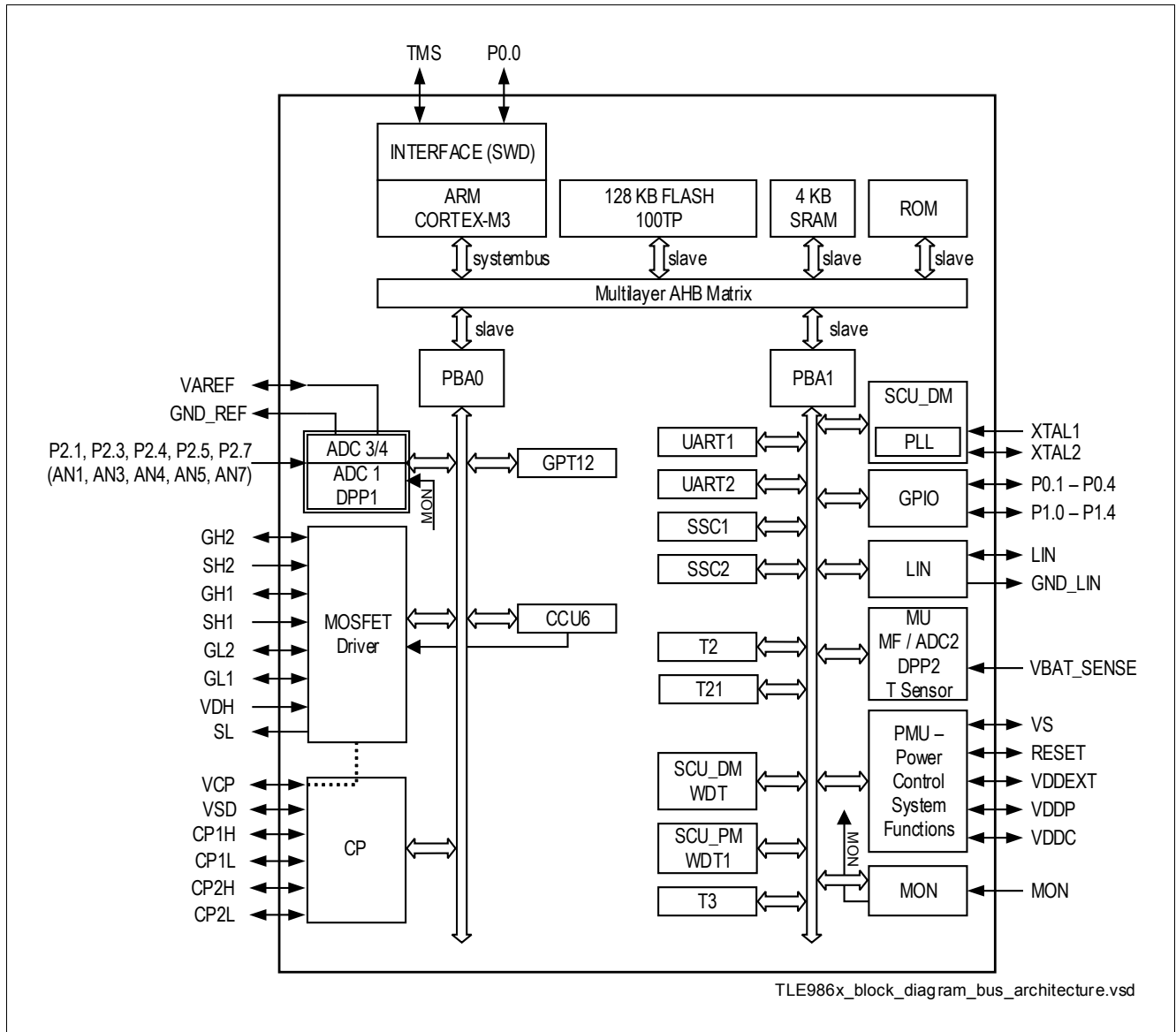


Figure 1 Block Diagram TLE9868QXB20

3 Device Pinout and Pin Configuration

3.1 Device Pinout

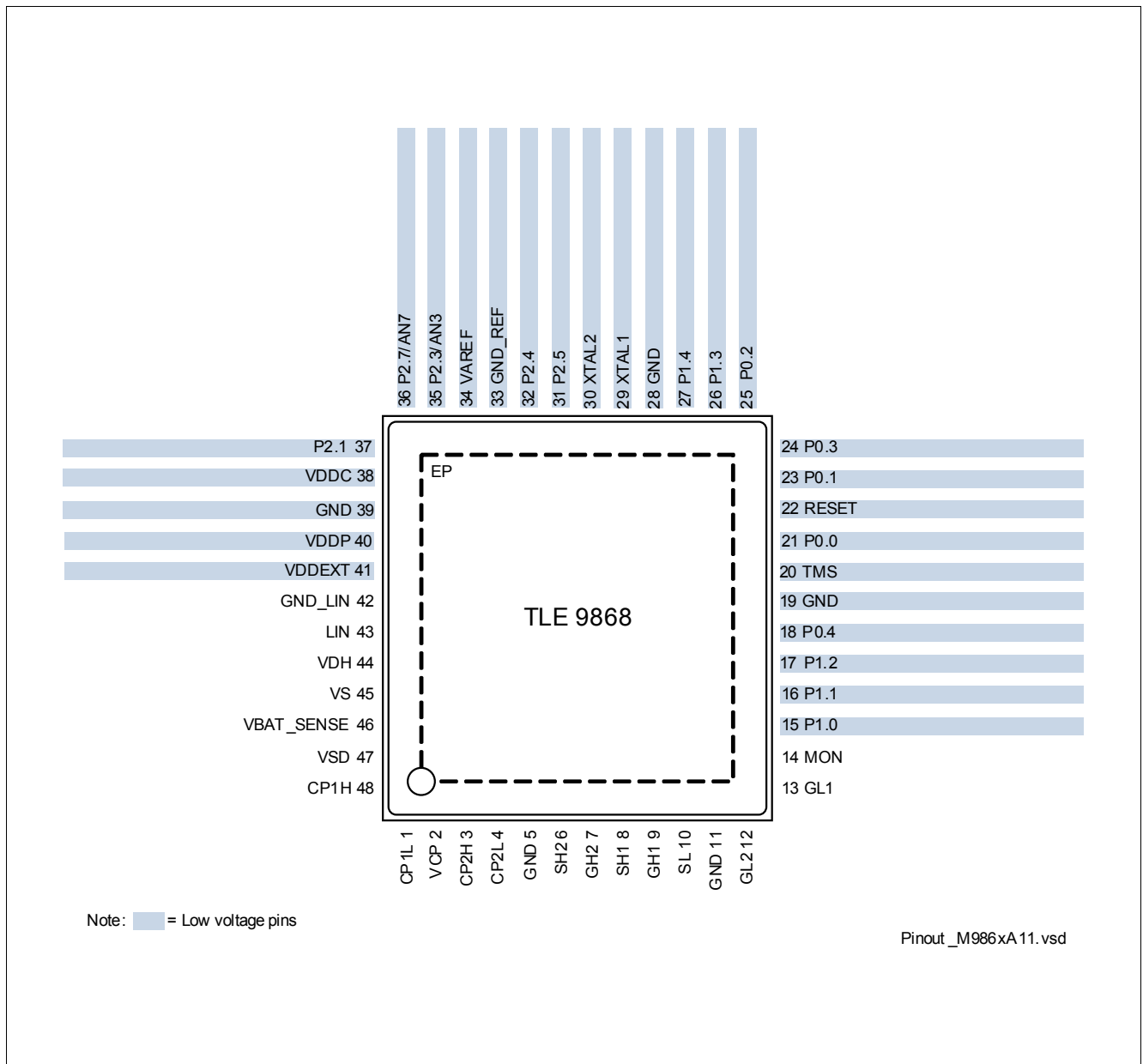


Figure 2 TLE9868QXB20 Device Pinout, VQFN-48-31 Package (top view)

3.2 Pin Configuration

After reset, all pins are configured as input (except supply and LIN pins) with one of the following settings:

- Pull-up device enabled only (PU)
- Pull-down device enabled only (PD)
- Input with both pull-up and pull-down devices disabled (I)
- Output with output stage deactivated = high impedance state (Hi-Z)

The functions and default states of the TLE9868QXB20 external pins are provided in the following table.

Type: indicates the pin type.

- I/O: Input or output
- I: Input only
- O: Output only
- P: Power supply

Not all alternate functions listed.

Table 2 Pin Definitions and Functions

Symbol	Pin Number	Type	Reset State ¹⁾	Function
P0				Port 0 Port 0 is a 5-bit bidirectional general purpose I/O port. Alternate functions can be assigned and are listed in the port description. Main function is listed below.
P0.0	21	I/O	I/PU	SWD Serial Wire Debug Clock
P0.1	23	I/O	I/PU	GPIO TxD_1 General Purpose IO UART_1
P0.2	25	I/O	I/PD	GPIO MTSR_1 General Purpose IO SSC_1 Master Transmit Slave Receive <i>Note: For a functional SWD connection this GPIO must be tied to zero!</i>
P0.3	24	I/O	I/PU	GPIO SCLK_1 General Purpose IO SSC_1 clock signal
P0.4	18	I/O	I/PD	GPIO GPIO LIN_2 enable signal SSC_2 CS signal
P1				Port 1 Port 1 is a 5-bit bidirectional general purpose I/O port. Alternate functions can be assigned and are listed in the Port description. The principal functions are listed below.
P1.0	15	I/O	I	GPIO SCLK_2 General Purpose IO SSC_2 clock signal
P1.1	16	I/O	I	MTSR_2 TxD_2 SSC_2 Master Transmit Slave Receive UART_2 TxD
P1.2	17	I/O	I	MRST_2 RxD_2 SSC_2 Master Receive Slave Transmit UART_2 RxD
P1.3	26	I/O	I	GPIO GPIO General Purpose IO, used for Inrush Transistor SSC_1 Chip Select
P1.4	27	I/O	I	GPIO RxD_1 General Purpose IO UART_1

Device Pinout and Pin Configuration
Table 2 Pin Definitions and Functions (cont'd)

Symbol	Pin Number	Type	Reset State ¹⁾	Function
P2				Port 2 Port 2 is a 5-bit general purpose input-only port. Alternate functions can be assigned and are listed in the Port description. Main function is listed below.
P2.1	37	I	I	AN1 ADC analog input 1 (Temperature) Pull-up Strong Pull-Up for Inrush control
P2.3	35	I	I	AN3 ADC analog input 3 (Sensor), ADC3+
P2.4	32	I	I	AN4 ADC analog input 4 (Sensor), ADC4+ MRST_1 SSC_1 Master Receive Slave Transmit
P2.5	31	I	I	AN5 ADC analog input 5 (Sensor), ADC4- MRST_2 SSC_2 Master Receive Slave Transmit RxD_2 UART_2 RxD
P2.7	36	I	I	AN7 ADC analog input 7 (Sensor or Temperature), ADC3-
Power Supply				
VS	45	P	–	Battery supply input
VDDP	40	P	–	²⁾ I/O port supply (5.0 V). Connect external buffer capacitor.
VDDC	38	P	–	³⁾ Core supply (1.5 V during Active Mode). Do not connect external loads, connect external buffer capacitor.
VDDEXT	41	P	–	External voltage supply output (5.0 V, 20 mA)
GND	5	P	–	GND analog
GND	11	P	–	GND analog
GND	19	P	–	GND digital
GND	28	P	–	GND digital
GND	39	P	–	GND analog
Monitor Input				
MON	14	I	–	High Voltage Monitor Input
LIN Interface				
LIN	43	I/O	–	LIN bus interface input/output
GND_LIN	42	P	–	LIN ground
Charge Pump				
CP1H	48	P	–	Charge Pump Capacity 1 High, connect external C
CP1L	1	P	–	Charge Pump Capacity 1 Low, connect external C
CP2H	3	P	–	Charge Pump Capacity 2 High, connect external C
CP2L	4	P	–	Charge Pump Capacity 2 Low, connect external C
VCP	2	P	–	Charge Pump Capacity
VSD	47	P	–	Battery supply input for Charge Pump
MOSFET Driver				
VDH	44	P	–	Voltage Drain High Side MOSFET Driver

Table 2 Pin Definitions and Functions (cont'd)

Symbol	Pin Number	Type	Reset State ¹⁾	Function
SH2	6	P	–	Source High Side FET 2
GH2	7	P	–	Gate High Side FET 2
SH1	8	P	–	Source High Side FET 1
GH1	9	P	–	Gate High Side FET 1
SL	10	P	–	Source Low Side FET
GL2	12	P	–	Gate Low Side FET 2
GL1	13	P	–	Gate Low Side FET 1
Others				
GND_REF	33	P	–	GND for VAREF
VAREF	34	I/O	–	5V ADC1 reference voltage, optional buffer or input
XTAL1	29	I	–	External oscillator input
XTAL2	30	O	–	External oscillator output
TMS	20	I I/O	I/PD	TMS Test Mode Select input SWD Serial Wire Debug input/output
RESET	22	I/O	–	Reset input, not available during Sleep Mode
VBAT_SENSE	46	I	–	Battery supply voltage sense input
EP	–	–	–	Exposed Pad, connect to GND

- 1) Only valid for digital IOs
- 2) Also named VDD5V.
- 3) Also named VDD1V5.

4 Modes of Operation

This highly integrated circuit contains analog and digital functional blocks. An embedded 32-bit microcontroller is available for system and interface control. On-chip, low-dropout regulators are provided for internal and external power supply. An internal oscillator provides a cost effective clock that is particularly well suited for LIN communications. A LIN transceiver is available as a communication interface. Driver stages for an H-Bridge with external MOSFET are integrated, featuring PWM capability, protection features and a charge pump for operation at low supply voltage. A 10-bit SAR ADC and two differential 14-bit Sigma Delta ADCs are implemented for high precision sensor measurement. An 8-bit ADC is used for diagnostic measurements.

The Micro Controller Unit supervision and system protection (including a reset feature) is complemented by a programmable window watchdog. A cyclic wake-up circuit, supply voltage supervision and integrated temperature sensors are available on-chip.

All relevant modules offer power saving modes in order to support automotive applications connected to terminal 30. A wake-up from power-save mode is possible via a LIN bus message, via the monitoring input or using a programmable time period (cyclic wake-up).

Featuring LTI, the integrated circuit is available in a VQFN-48-31 package with 0.5 mm pitch, and is designed to withstand the severe conditions of automotive applications.

The TLE9868QXB20 has several operation modes mainly to support low power consumption requirements.

Reset Mode

The Reset Mode is a transition mode used e.g. during power-up of the device after a power-on reset, or after wake-up from Sleep Mode. In this mode, the on-chip power supplies are enabled and all other modules are initialized. Once the core supply VDDC is stable, the device enters Active Mode. If the watchdog timer WDT1 fails more than four times, the device performs a fail-safe transition to Sleep Mode.

Active Mode

In Active Mode, all modules are activated and the TLE9868QXB20 is fully operational.

Sleep Mode

The Sleep Mode is a low-power mode. The transition to the low-power mode is done by setting the corresponding bits in the MCU mode control register or in case of failure, see below. In Sleep Mode the embedded microcontroller power supply is deactivated allowing the lowest system power consumption. A wake-up from this mode is possible by LIN bus activity, the High Voltage Monitor Input pin or Cyclic Wake-up.

Sleep Mode in Case of Failure

Sleep Mode is activated after 5 consecutive watchdog failures or in case of supply failure (5 times). In this case, MON is enabled as the wake source and Cyclic Wake-Up is activated with 1s of wake time.

Sleep Mode with Cyclic Wake-Up

The Cyclic Wake-Up Mode is a special operating mode of the Sleep Mode. The transition to Cyclic Wake-Up Mode is performed by first setting the corresponding bits in the mode control register followed by the Sleep command. In addition to the cyclic wake-up behavior (wake-up after a programmable time period), asynchronous wake events via the activated sources (LIN and/or MON) are available, as in normal Sleep Mode.

When using Sleep Mode with cyclic wake-up the voltage regulator is switched off and started again with the wake. A limited number of registers is buffered during sleep, and can be used by SW e.g. for counting sleep/wake cycles.

MCU Slow Down Mode

In MCU Slow Down Mode the MCU frequency is reduced for saving power during operation. LIN communication is still possible. LS MOSFET can be activated.

The following table shows the possible power mode configurations of each major module or function respectively.

Table 3 Power Mode Configurations

Module/function	Active Mode	Slow Down Mode	Sleep Mode	Comment
VDDEXT	ON/OFF	ON/OFF	OFF	–
VDDP	ON	ON	OFF	–
VDDC	ON	ON	OFF	–
Bridge Driver	ON/OFF	LS FET ON/OFF	OFF	–
LIN TRx	ON/OFF	ON/OFF	wake-up only/ OFF	–
VS sense	ON/OFF brownout detection	ON/OFF brownout detection	POR on VS	brownout det. done in PCU
VBAT_SENSE	ON/OFF	ON/OFF	OFF	–
GPIO 5V (active)	ON	ON	OFF	–
WDT1	ON	ON	OFF	–
CYCLIC WAKE	n.a.	n.a.	cyclic wake-up/ OFF	–
Measurement	ON ¹⁾	ON ¹⁾	OFF	–
MCU	ON	slow-down	OFF	–
Peripherals	ON	slow-down	OFF	–
CLOCK GEN (MC)	ON	scaled down	OFF	–
LP_CLK (18 MHz)	ON	ON	OFF	WDT1
LP_CLK2 (100 kHz)	ON/OFF	ON/OFF	ON/OFF	for cyclic wake-up

1) May not be switched off due to safety reasons

Wake-Up Source Prioritization

All wake-up sources have the same priority. In order to handle the asynchronous nature of the wake-up sources, the first wake-up signal will initiate the wake-up sequence. Nevertheless all wake-up sources are latched in order to provide all wake-up events to the application software. The software can clear the wake-up source flags. This is to ensure that no wake-up event is lost.

As default wake-up source, the MON input is activated after power-on reset only. Additionally, the device is in Cyclic Wake-Up Mode with the max. configurable dead time setting.

Wake-Up Levels and Transitions

The wake-up can be triggered by rising, falling or both signal edges for the monitor input, by LIN or by cyclic wake-up.

5 Device Register Types

The following register types are used within this device. List see in [Table 4](#).

Table 4 Register Types

Type	can be modified by			Description
	Hardware	Firmware	Software	
r	yes	no	no	read-only flag
rh	yes	no	no	read-only flag which is modified by hardware
rhc	yes	no	yes	read-only flag which status can be clear by a read operation
rw	no	no	yes	bit can be read or written
rwp	yes	yes	no	protected bit; read operation is always possible
rwp2	yes	yes	yes	protected bit; protection can be removed by writing scu password.
rwh	yes	no	yes	bit can be written by hardware and software; hardware has priority
rwh1	yes	no	yes	bit can be set by software and is cleared by hardware; hardware has priority.
rwc	yes	no	yes	bit can be written by hardware and software; writing to register with any value clears the status.
rwd	no	no	yes	bit can be read/written by software. Write is delayed for synch. purpose
rwhir	yes	no	yes	bit can be written by hardware and software; hardware has only priority to clear the bit.
w	yes	yes	yes	bit can be written by hardware or software; this bit can only be set by software; it is cleared by hardware.
wh	yes	no	yes	bit can be written by hardware and software; hardware has priority
wi	no	yes	yes	bit can be written by hardware or software; this bit can only be set by software; it is cleared by hardware.

6 Power Management Unit (PMU)

6.1 Features

- System modes control (startup, sleep and active)
- Power management (cyclic wake-up)
- Control of system voltage regulators with diagnosis (overload, short, overvoltage)
- Fail safe mode detection and operation in case of system errors (watchdog fail)
- Wake-up sources configuration and management (LIN, MON, GPIOs)
- System error logging

6.2 Introduction

The power management unit is responsible for generating all required voltage supplies for the embedded MCU (VDDC, VDDP) and the external supply (VDDEXT). The power management unit is designed to ensure fail-safe behavior of the system IC by controlling all system modes including the corresponding transitions. Additionally, the PMU provides well defined sequences for the system mode transitions and generates hierarchical reset priorities. The reset priorities control the reset behavior of all system functionalities especially the reset behavior of the embedded MCU. All these functions are controlled by a state machine. The system master functionality of the PMU make use of an independent logic supply and system clock. For this reason, the PMU has an "Internal logic supply and system clock" module which works independently of the MCU clock.

6.2.1 Block Diagram

The following figure shows the structure of the Power Management Unit. **Table 5** describes the submodules in more detail.

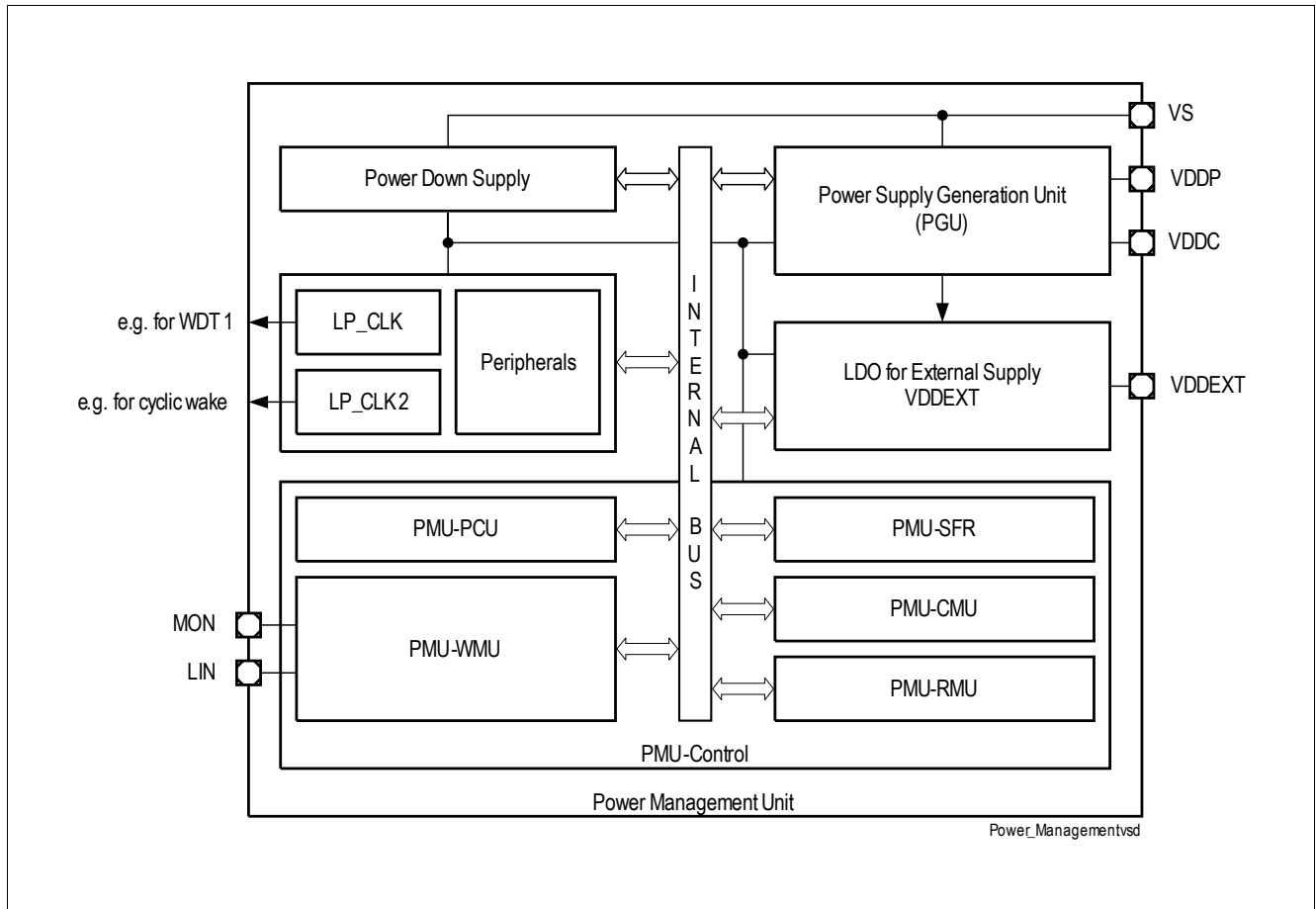


Figure 3 Power Management Unit Block Diagram

Table 5 Description of PMU Submodules

Mod. Name	Modules	Functions
Power Down Supply	Independent supply voltage generation for PMU	This supply is dedicated to the PMU to ensure an independent operation from generated power supplies (VDDP, VDDC).
LP_CLK (= 18 MHz)	- Clock source for all PMU submodules - Backup clock source for System - Clock source for WDT1	This ultra low power oscillator generates the clock for the PMU. This clock is also used as backup clock for the system in case of PLL Clock failure and as an independent clock source for WDT1.
LP_CLK2 (= 100 kHz)	Clock source for PMU	This ultra low power oscillator generates the clock for the PMU in the cyclic modes.
Peripherals	Peripheral blocks of PMU	These blocks include the analog peripherals to ensure a stable and fail-safe PMU startup and operation (bandgap, bias).

Table 5 Description of PMU Submodules (cont'd)

Mod. Name	Modules	Functions
Power Supply Generation Unit (PGU)	Voltage regulators for VDDP and VDDC	This block includes the voltage regulators for the pad supply (VDDP) and the core supply (VDDC).
VDDEXT	Voltage regulator for VDDEXT to supply external modules (e.g. sensors)	This voltage regulator is a dedicated supply for external modules.
PMU-SFR	All Extended Special Function registers that are relevant to the PMU.	This module contains all registers needed to control and monitor the PMU.
PMU-PCU	Power Control Unit of the PMU	This block is responsible for controlling all power related actions within the PGU Module. It also contains all regulator related diagnostics such as undervoltage and overvoltage detection as well as overcurrent and short circuit diagnostics.
PMU-WMU	Wake-Up Management Unit of the PMU	This block is responsible for controlling all wake-up related actions within the PMU Module.
PMU-CMU	Cyclic Management Unit of the PMU	This block is responsible for controlling all actions in cyclic mode.
PMU-RMU	Reset Management Unit of the PMU	This block generates resets triggered by the PMU such as undervoltage or short circuit reset, and passes all resets to the relevant modules and their register.

6.2.2 PMU Modes Overview

The following state diagram shows the available modes of the device.

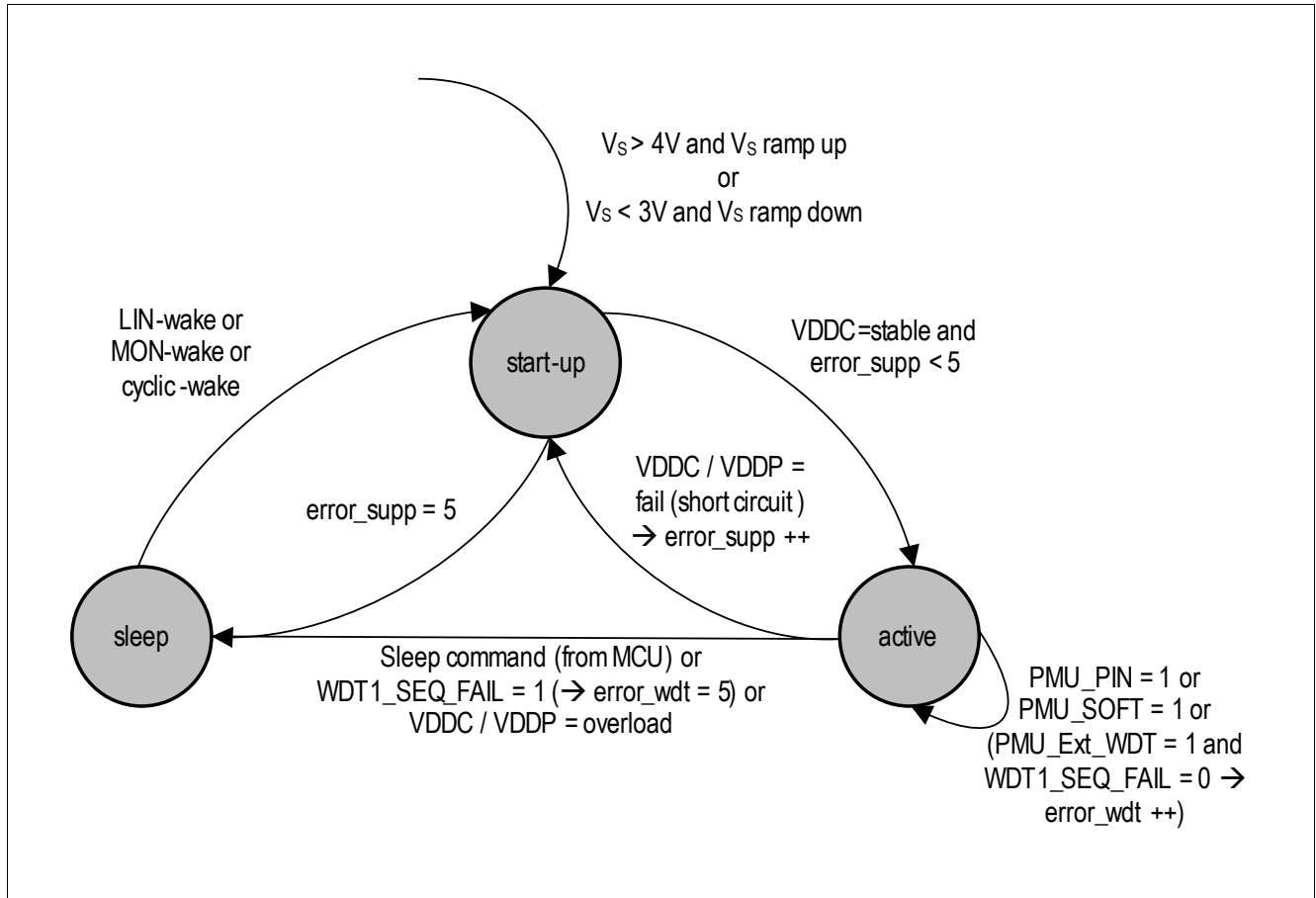


Figure 4 Power Management Unit System Modes

Active Mode

In Active Mode the Power Management Unit releases the reset of the embedded MCU and the application software takes control of the system. Now the PMU is responsible for supplying and supervising the embedded system. The supervision functionality of the PMU monitors the output voltage/current of the generated supplies and the status information of the system watchdog (WDT1).

Sleep Mode

The Sleep Mode is the power saving mode where the lowest power consumption is achieved. In this mode the PMU resets all system functionalities and switches off all voltage supplies (VDDP, VDDC, VDDEXT) which are generated in the PMU. The only submodules of the PMU which stay active are the ones responsible for controlling the wake-up procedure of the system. **Figure 5** shows the Sleep Mode entry procedure.

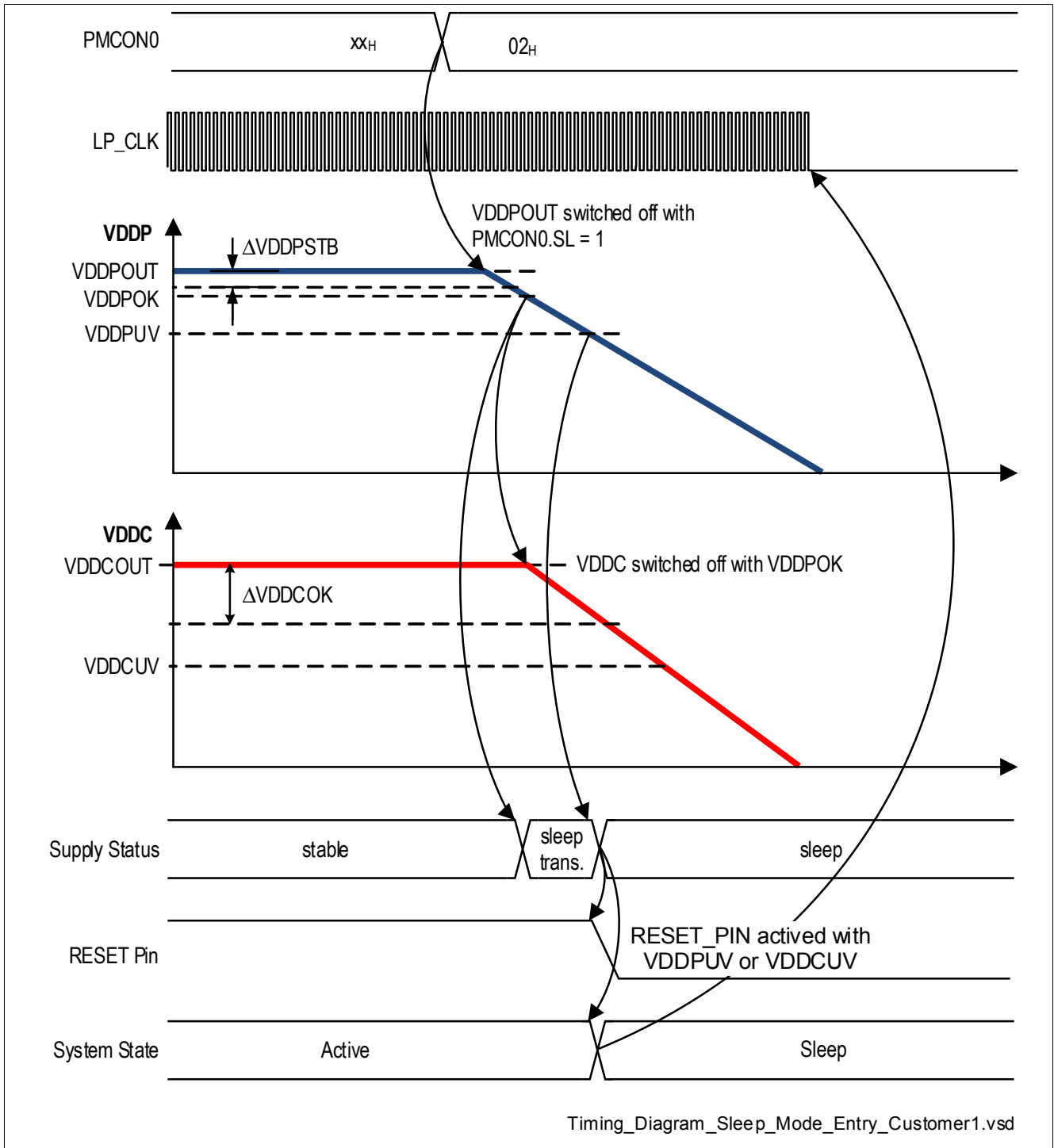


Figure 5 Sleep Mode Entry Timing

The arrows in the diagram above display a causal connection between the various steps and not necessarily a voltage based connection.

The Sleep Mode is terminated by a LIN pulse or a corresponding (rising edge / falling edge) activity at the MON input. The PMU processes the wake-up information in an independent State Machine FSM which starts the PMU internal system clock to process the startup sequences in a synchronous way. A successful startup sequence enters the startup Mode automatically. **Figure 6** illustrates the wake via LIN.

The Sleep Mode can be terminated by synchronous wake-up events too. If this is desired, the PMU must be configured by setting the corresponding SFRs. If these synchronous wake-up events are configured then the power consumption of the PMU increases in Sleep Mode. The increased current consumption is caused by an oscillator which generates the needed time base (typically 100 kHz).

The wake-up procedure from Sleep Mode via MON pins (instead of LIN) follows the same sequence as shown in **Figure 6**.

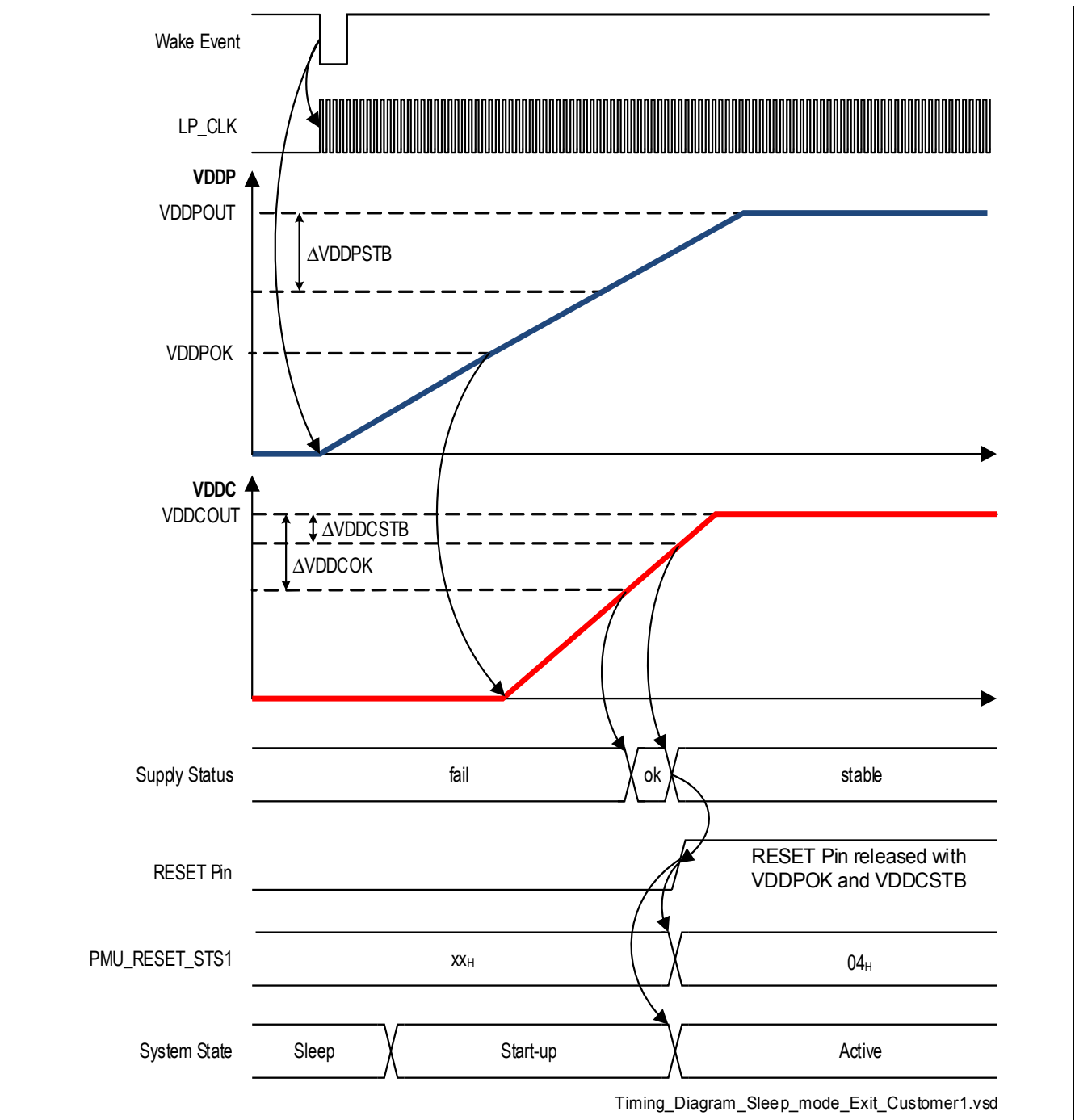


Figure 6 Sleep Mode LIN Wake-Up Timing

The arrows in the diagram above display a causal connection between the various steps and not necessarily a voltage based connection.

6.3 Power Supply Generation Unit (PGU)

As shown in the diagram below the Power Supply Generation consists of the following modules:

Submodules of PGU are:

- **Power Down Supply:** independent analog supply voltage generation for Power Control Unit logic, for VDDP Regulator and for VDDC Regulator.
- **VPRE:** analog supply voltage pre-regulator. Purpose of this regulator is the power dissipation reduction for the following regulator stages.
- **VDDP:** 5V digital voltage regulator used for internal modules and all GPIOs.
- **VDDC:** 1.5V digital voltage regulator used for internal microcontroller modules and core logic.
- **PCU:** Power Control Unit responsible for supervising and controlling 5V regulator and 1.5V regulator.

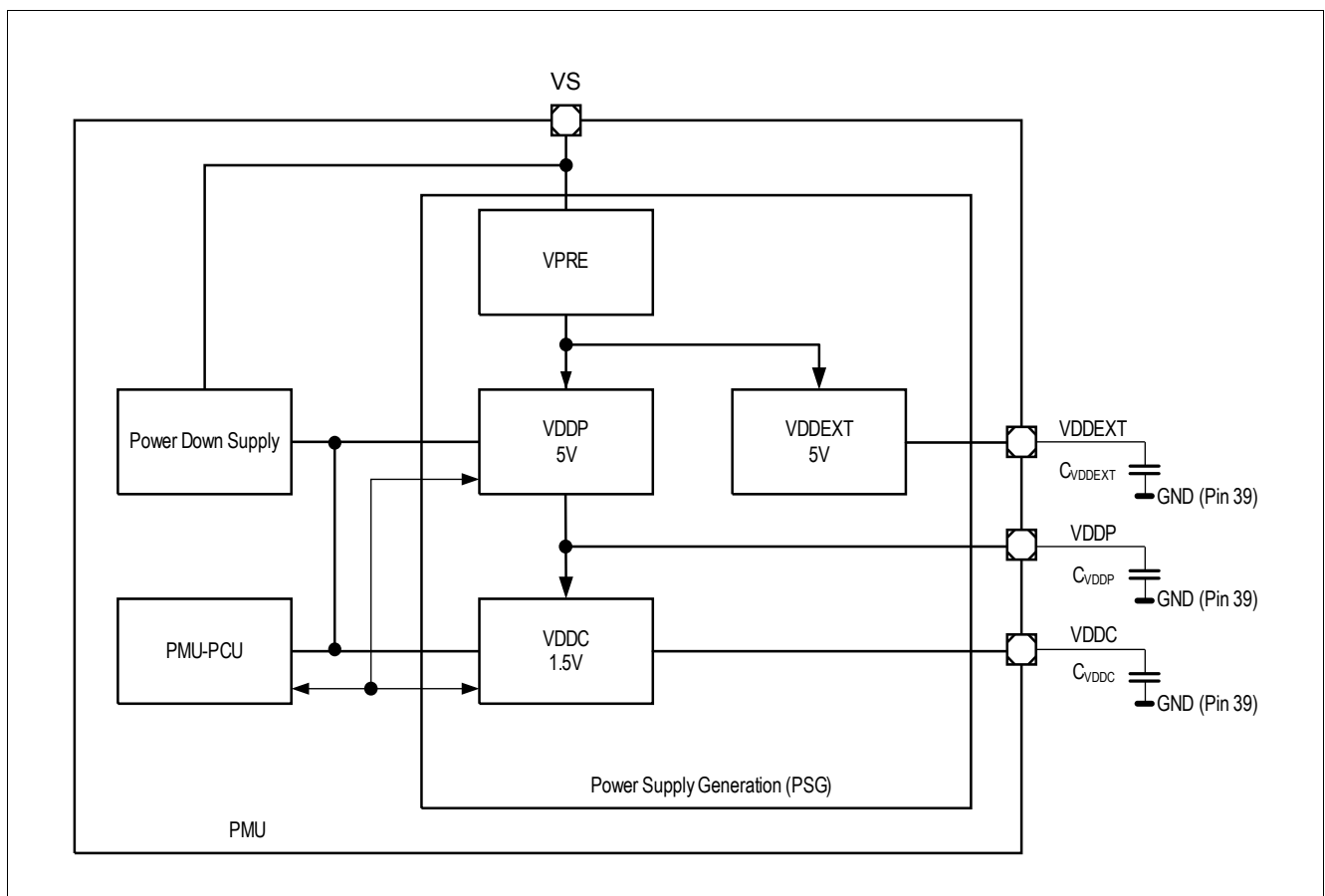


Figure 7 Power Supply Generation Block Diagram

6.3.1 Voltage Regulator 5.0V (VDDP)

This module represents the 5 V voltage regulator, which provides the pad supply for the parallel port pins and other 5 V analog functions (e.g. LIN Transceiver).

Features

- 5 V low-drop voltage regulator
- Overcurrent monitoring and shutdown with MCU signaling (interrupt)
- Overvoltage monitoring with MCU signaling (interrupt)

- Undervoltage monitoring with MCU signaling (interrupt)
- Undervoltage monitoring with reset (Undervoltage Reset, V_{DDPUV})
- Pre-Regulator for VDDC Regulator
- GPIO Supply
- Pull Down Current Source at the output for Sleep Mode only (typ. 5 mA)

The output capacitor C_{VDDP} is mandatory to ensure proper regulator functionality.

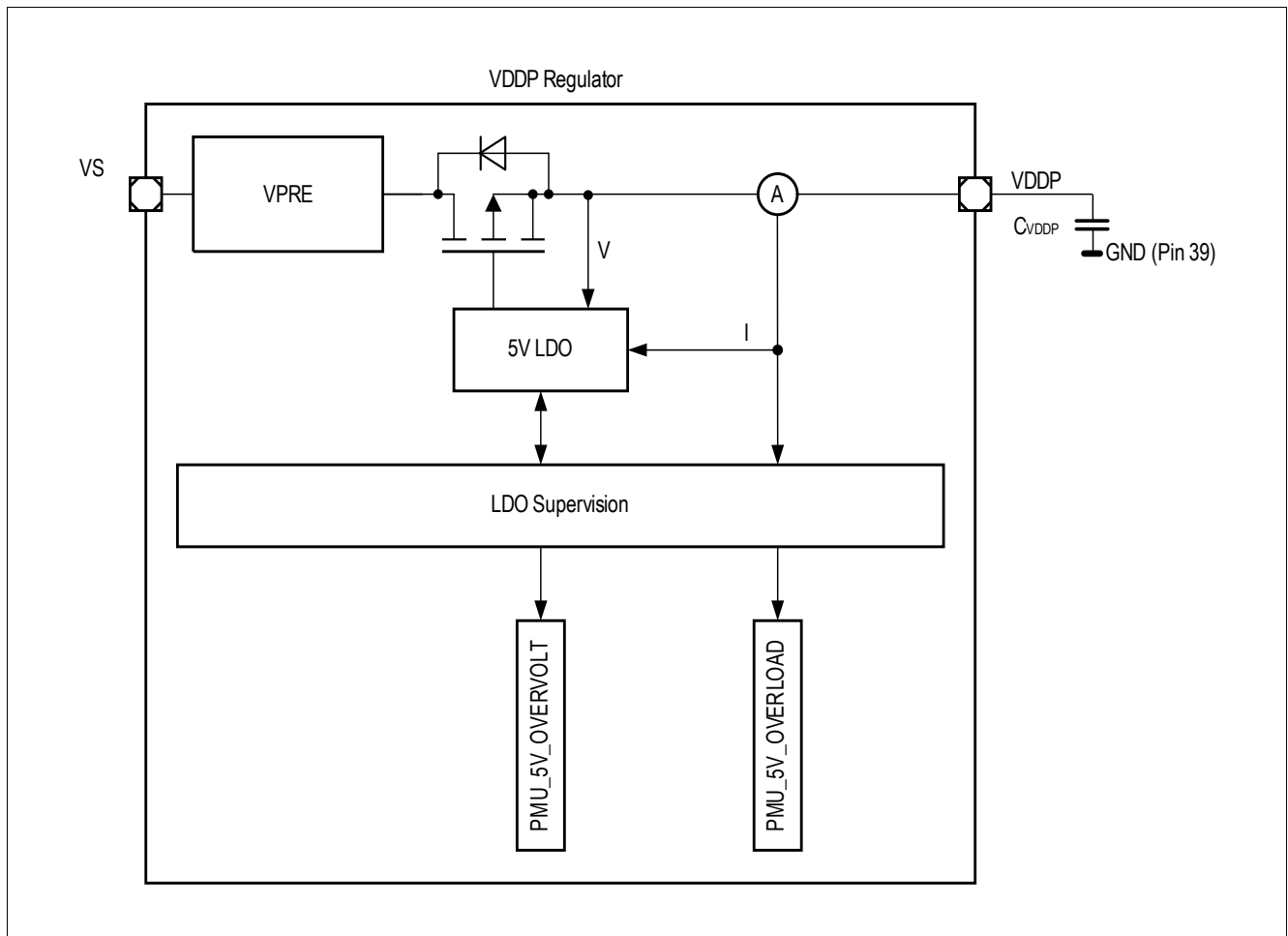


Figure 8 Module Block Diagram of VDDP Voltage Regulator

6.3.2 Voltage Regulator 1.5V (VDDC)

This module represents the 1.5 V voltage regulator, which provides the supply for the microcontroller core, the digital peripherals and other internal analog 1.5 V functions (e.g. ADC2) of the chip.

Features

- 1.5 V low-drop voltage regulator
- Overcurrent monitoring and shutdown with MCU signaling (interrupt)
- Overvoltage monitoring with MCU signaling (interrupt)
- Undervoltage monitoring with MCU signaling (interrupt)
- Undervoltage monitoring with reset
- Pull Down Current Source at the output for Sleep Mode only (typ. 100 μ A)

The output capacitor C_{VDDC} is mandatory to ensure a proper regulator functionality.

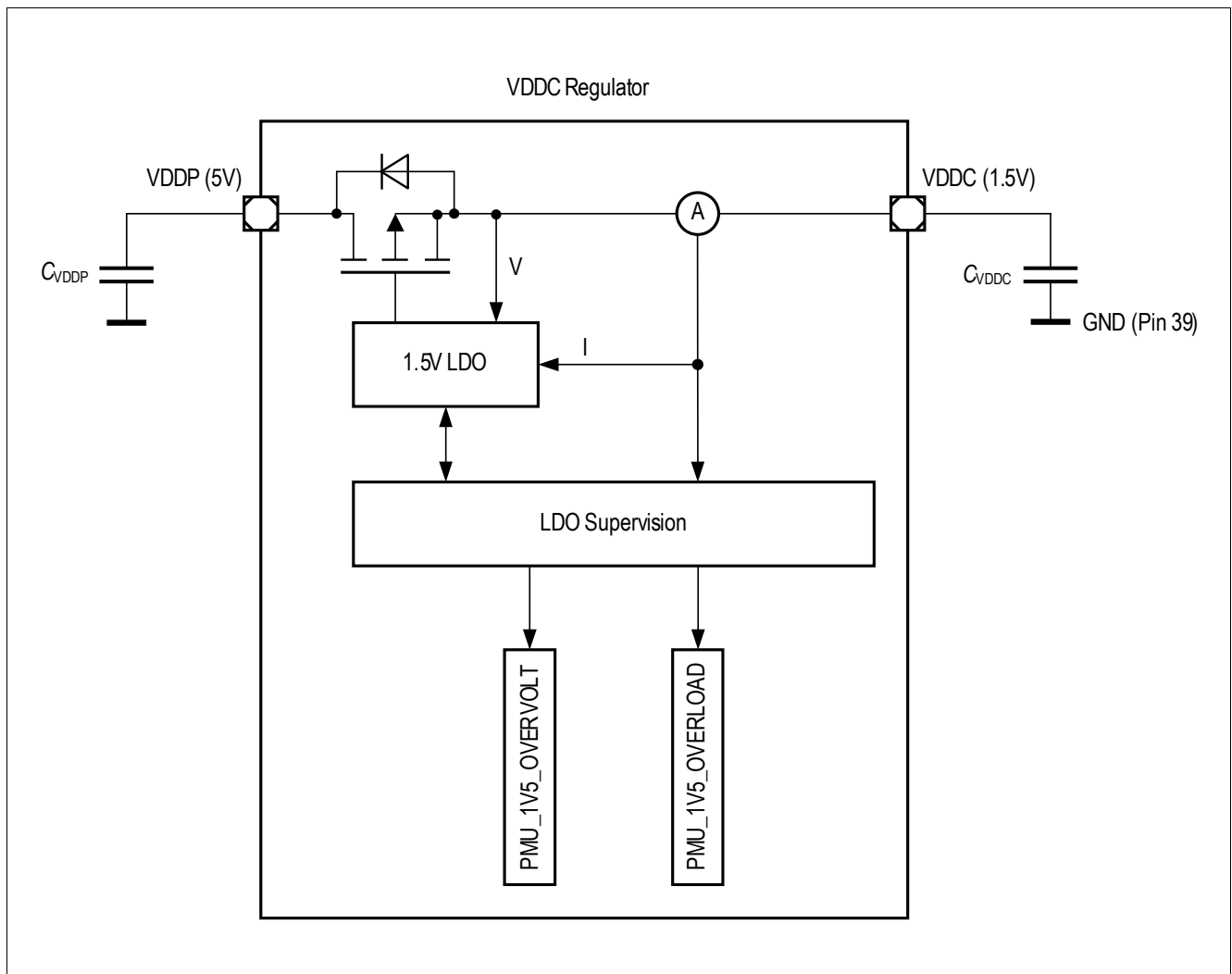


Figure 9 Module Block Diagram of VDDC Voltage Regulator

6.3.3 External Voltage Regulator 5.0V (VDDEXT)

This module represents the 5 V voltage regulator, which serves as a supply for external circuits. It can be used e.g. to supply an external sensor, LEDs or potentiometers. VDDEXT used as reference for ADC3/4.

Features

- Switchable +5 V, low-drop voltage regulator
- Switch-on overcurrent blanking time in order to drive small capacitive loads
- Overcurrent monitoring and shutdown with MCU signaling (interrupt)
- Overvoltage monitoring with MCU signaling (interrupt)
- Undervoltage monitoring with MCU signaling (interrupt)
- Pull Down current source at the output for Sleep Mode only (typ. 100 μ A)

The output capacitor C_{VDDEXT} is mandatory to ensure a proper regulator functionality.

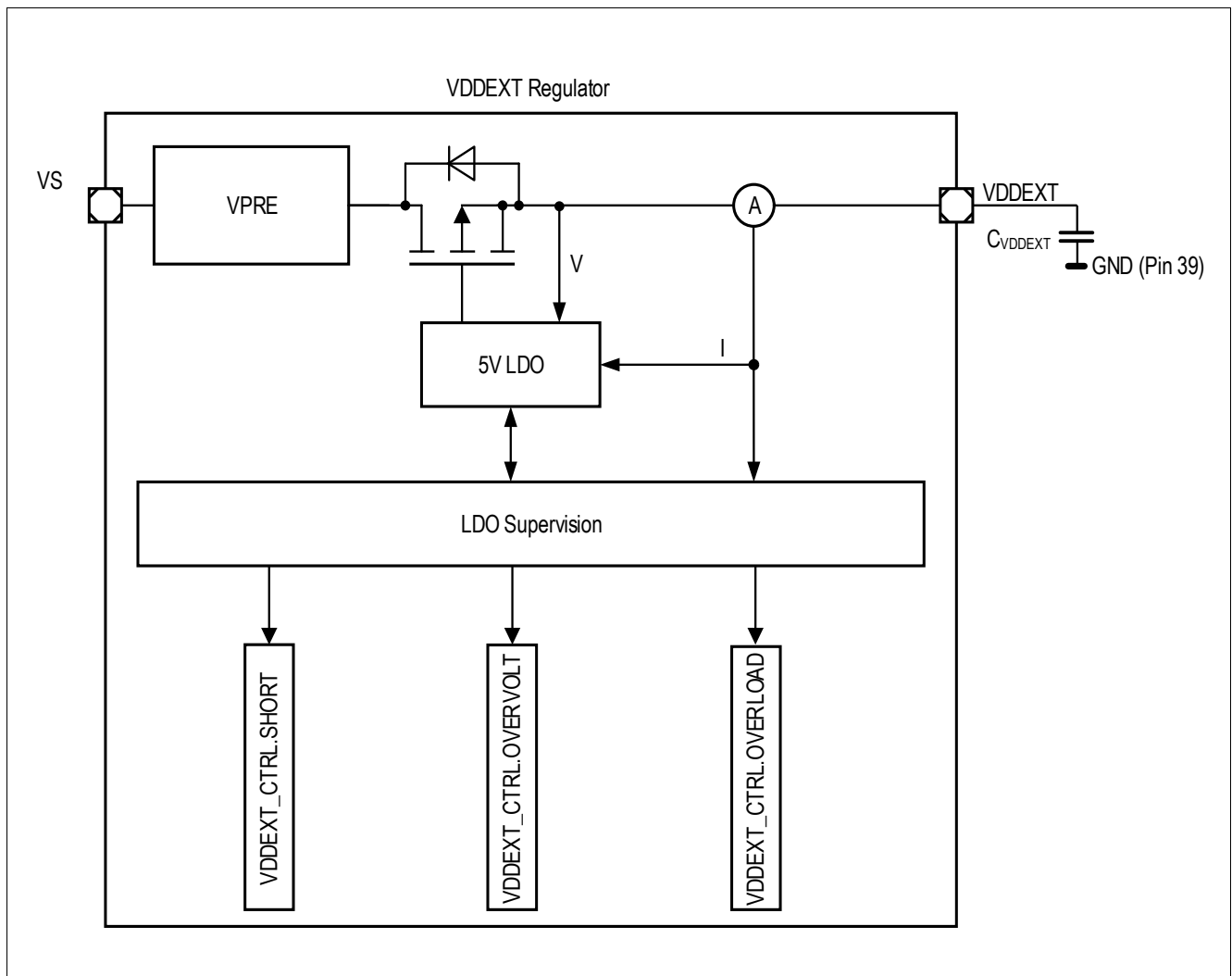


Figure 10 Module Block Diagram of External Voltage Regulator

VDDEXT provides three diagnostic features:

- VDDEXT Overvolt
- VDDEXT Overload
- VDDEXT Short

VDDEXT **Overvolt** detects a reverse supply of the VDDEXT above 5.4V, refer to datasheet for exact value. The flag **VDDEXT_CTRL.OVERVOLT** signals the presents of a overvoltage condition on VDDEXT.

VDDEXT **Overload** is signalled if the current pulled out of VDDEXT is exceeding 50mA, refer to the datasheet for the exact value. The flag **VDDEXT_CTRL.OVERLOAD** is set if the overload condition is present.

VDDEXT **Short** is detected by the undervoltage threshold. If the output voltage of the VDDEXT is dropping below the undervoltage threshold of 2.8V (exact value, please see the datasheet) due to too high current pulled out of VDDEXT the flag **VDDEXT_CTRL.SHORT** is set. The VDDEXT will be switched off. In order to turn it on again, the VDDEXT has to be enabled again by writing **VDDEXT_CTRL.ENABLE** to '1'.

*Note: If the VS supply is below 5V the VDDEXT operates in low-drop-out mode, the output voltage of VDDEXT follows the VS with a drop of 300..400mV (see datasheet for exact value). If the undervoltage threshold of VDDEXT is reached a **SHORT** will be signalled, even though it is not caused by a short but by an undervoltage. But the physical evaluation behind both is the same.*

All three diagnostic signals can issue an NMI. **VDDEXT_CTRL.FAIL_EN** has to be enabled in order to do so. The shared **NMICON.NMISUP** flag enables the corresponding NMI to signal the VDDEXT diagnosis.

6.3.4 PMU Register Overview

Table 6 Register Address Space for PMU Registers

Module	Base Address	End Address	Note
PMU	50004000 _H	50004FFF _H	Power Management Unit Registers

The registers are addressed wordwise.

6.3.5 Register Definition

Table 7 Register Overview

Register Short Name	Register Long Name	Offset Address	Reset Value
Register Definition, Power Supply Generation Register			
PMU_SUPPLY_STS	Voltage Reg Status Register	004 _H	00xx 00xx _B
Register Definition, VDDEXT Control Register			
VDDEXT_CTRL	VDDEXT Control Register	008 _H	xxxx 0000 _B

The registers are addressed wordwise.

6.3.5.1 Power Supply Generation Register

The following register is dedicated to control the voltage regulators VDDP, VDDC. It provides an overview about the status of the two voltage supplies.

Voltage Reg Status Register

The PMU_SUPPLY_STS register shows the overvoltage and overload condition of VDDP and VDDC. To use this information as interrupt sources it must be selected explicitly in this register. The register is reset by RESET_TYPE_0.

PMU_SUPPLY_STS	Offset	Reset Value
Voltage Reg Status Register	004_H	00xx 00xx_B

7	6	5	4	3	2	1	0
Res	PMU_5V_FAIL_EN	PMU_5V_OVERLOAD	PMU_5V_OVERVOLT	Res	PMU_1V5_FAIL_EN	PMU_1V5_OVERLOAD	PMU_1V5_OVERVOLT
r	rw	r	r	r	rw	r	r

Power Management Unit (PMU)

Field	Bits	Type	Description
Res	7	r	Reserved Always read as 0
PMU_5V_FAIL_EN	6	rw	Enabling of VDDP status information as interrupt source 0 _B No interrupts are generated 1 _B Interrupts are generated
PMU_5V_OVERLOAD	5	r	Overload at VDDP regulator <i>Note: if this flag is set and an additional filter time of 290 us (typ.) is passed the system will be put to sleep mode</i> 0 _B No overload 1 _B Overload
PMU_5V_OVERVOLT	4	r	Overvoltage at VDDP regulator 0 _B No overvoltage 1 _B Overvoltage
Res	3	r	Reserved Always read as 0
PMU_1V5_FAIL_EN	2	rw	Enabling of VDDC status information as interrupt source 0 _B No interrupts are generated 1 _B Interrupts are generated
PMU_1V5_OVERLOAD	1	r	Overload at VDDC regulator <i>Note: if this flag is set and an additional filter time of 290 us (typ.) is passed the system will be put to sleep mode</i> 0 _B No overload 1 _B Overload
PMU_1V5_OVERVOLT	0	r	Overvoltage at VDDC regulator 0 _B No overvoltage 1 _B Overvoltage

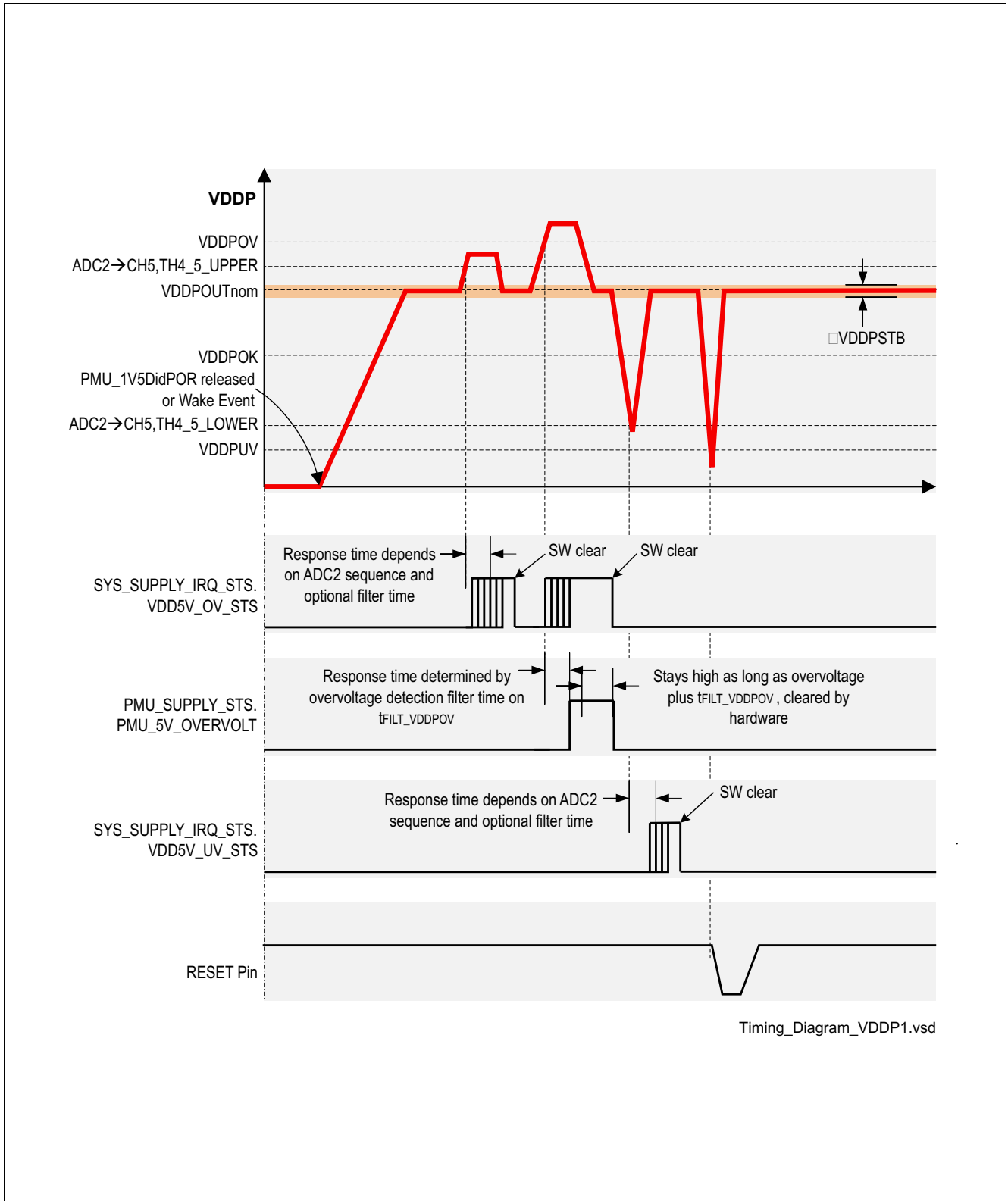


Figure 11 VDDP

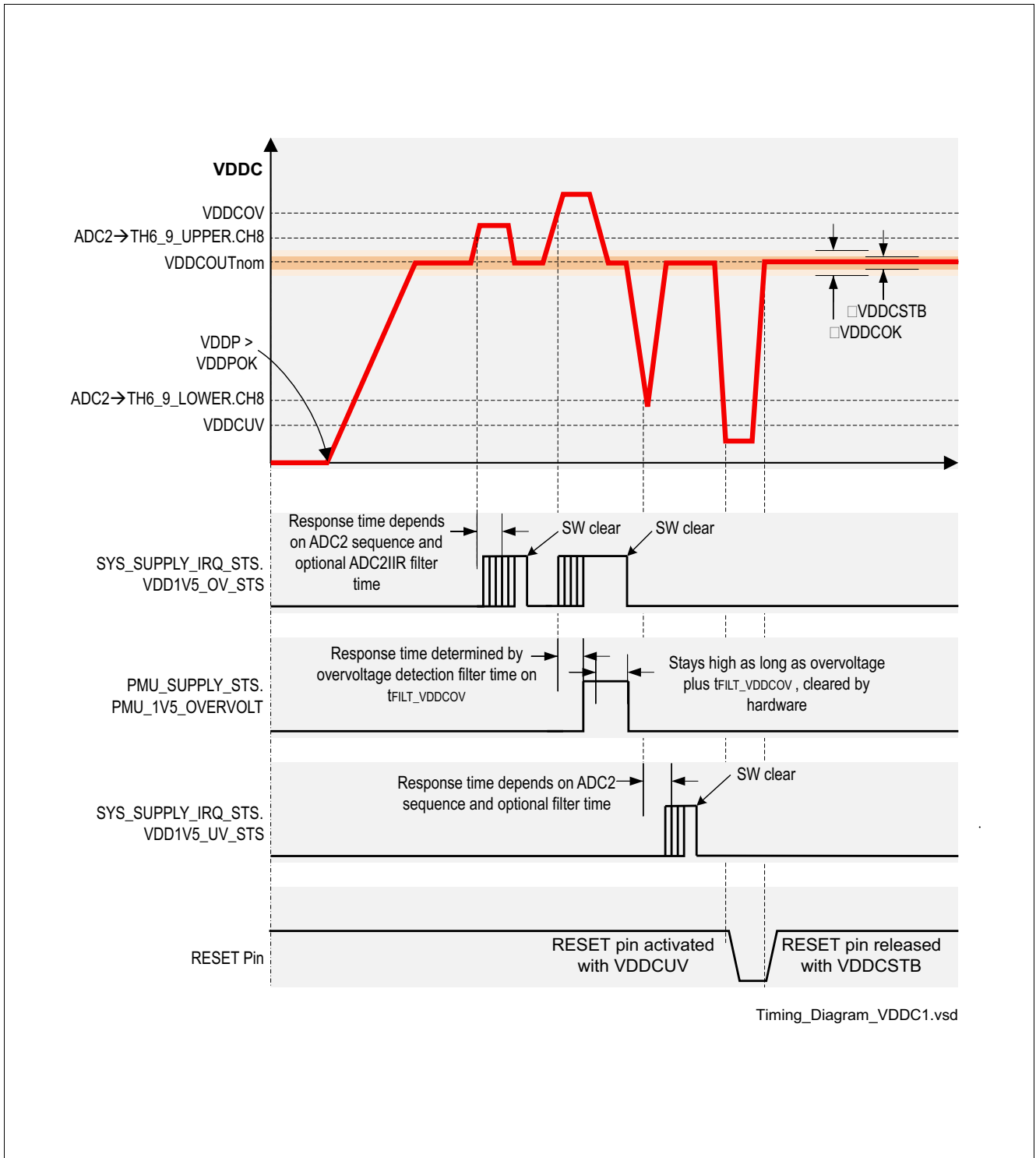


Figure 12 VDDC

6.3.5.2 VDDEXT Control Register

The VDDEXT can be fully controlled by the following SFR Register, including all diagnosis functions. There are two overvoltage-undervoltage ranges implemented (range 1 is $V_{DDEXT} \pm 250$ mV, range 2 is $V_{DDEXT} \pm 500$ mV) which serve as a supply prewarning. Both cases are indicated by the bits VDDEXT_STABLE and VDDEXT_OK.

VDDEXT Control

The register is reset by RESET_TYPE_3.

The status flag SHORT leads to a shutdown off VDDEXT. To re-enable VDDEXT the SHORT flag needs to be cleared.

VDDEXT_CTRL	Offset	Reset Value
VDDEXT Control	008 _H	xxxx 0000 _B

7	6	5	4	3	2	1	0
STABLE	OK	OVERLOAD	OVERVOLT	SHORT	FAIL_EN	Res	ENABLE
r	r	r	r	rwh	rw	r	rw

Field	Bits	Type	Description
STABLE	7	r	VDDEXT Supply works inside its specified range 1 1 _B VDDEXT Voltage inside of specified range 0 _B VDDEXT Voltage outside of specified range
OK	6	r	VDDEXT Supply works inside its specified range 2 1 _B VDDEXT in low drop mode 0 _B VDDEXT not in low drop mode
OVERLOAD	5	r	VDDEXT Supply Overload <i>Note: This flag is automatically cleared, if error condition is removed.</i> 0 _B VDDEXT not in overload condition 1 _B VDDEXT in overload condition
OVERVOLT	4	r	VDDEXT Supply Overvoltage <i>Note: This flag is automatically cleared, if error condition is removed.</i> 0 _B VDDEXT not in overvoltage condition 1 _B VDDEXT in overvoltage condition
SHORT	3	rwh	VDDEXT Supply Shorted Output <i>Note: if this flag is set VDDEXT regulator is automatically switched off. To re-enable VDDEXT software must clear this flag. SHORT flag has RESET_TYPE_0.</i> 0 _B VDDEXT no short circuit 1 _B VDDEXT short circuit

Power Management Unit (PMU)

Field	Bits	Type	Description
FAIL_EN	2	rw	Enabling of VDDEXT Supply status information as interrupt source 0 _B VDDEXT fail interrupts are disabled 1 _B VDDEXT fail Interrupts are enabled
RES	1	r	Reserved Always read as 0
ENABLE	0	rw	VDDEXT Supply Enable 0 _B VDDEXT Supply disabled 1 _B VDDEXT supply enabled

6.4 Power Control Unit

The Power Control Unit is the controlling instance of the system Power supply Generation Unit (PGU). It offers important fail safe features, which are described in the following subchapters.

6.4.1 Power Control Unit - Fail Safe Scenarios

The PMU handles several different failure scenarios, listed below and described in the following chapters:

- Fail safe mode (Sleep Mode) in case of power failure.
- Fail safe mode (Sleep Mode) in case of watchdog service failure.
- Fail safe mode (Sleep Mode) in case of overcurrent on voltage regulators VDDP or VDDC.
- 2 level monitoring (prewarning and reset) of voltage regulators output voltages (VDDP, VDDC, VDDEXT).

6.4.1.1 Power Supervision Function of PCU

The power supervision feature of the PCU is mainly responsible for monitoring the voltage regulators VDDP and VDDC. In case of voltage regulator malfunction, the PCU restarts the voltage regulators (VDDP and VDDC). Each time this happens the error counter “error_supp” is incremented. If the counter reaches the value 5, the PCU supervision function will set the device into Sleep Mode. In this case the device can still be waked up by LIN and MON input.

After a wake-up, if the PMU can be successfully restarted and code execution will be possible, the user is able to determine the occurred failure scenario by checking the corresponding **SYS_FAIL_STS** register. In this case bit **SUPP_TMOUT** is set.

If there is a short circuit at the VDDC/VDDP voltage regulator during startup, the reset of the embedded MCU is set and the system goes to startup mode. The error counter “error_supp” is increased by one. After this the PCU itself tries to go to Active Mode again using the power-on sequence. If the short circuit still exists then the procedure is repeated. This procedure will run, as already described above, only 5 times. After reaching the value 5, the PCU sends the system into Sleep Mode.

If a successful startup after wake-up from Sleep Mode is possible, the user is able to verify the failure, by reading the **SUPP_TMOUT** flag in the **SYS_FAIL_STS** register.

6.4.1.2 Watchdog (WDT1) Fail Safe

The PCU supervises the failure information of the system watchdog (WDT1). In case the watchdog is not serviced or serviced in a wrong way (in the following denominated as “not serviced Watchdog”) the MCU is reset and the

Power Management Unit (PMU)

error counter "error_wdt" is increased by one. The PMU itself stays in the Active Mode and after the reset the application software takes over the system control. If the software doesn't service the system watchdog then the described procedure starts again. After the watchdog is not serviced five times during one Active Mode period the PMU sends the embedded system to Sleep Mode. The PMU detects the transition to the Sleep Mode as safety fallback and the Sleep Mode can be terminated by two ways: first by a LIN-wake or by a rising/falling edge at a MON pin, second cyclic wake is issued after a sleep time of 1 s. The error counter is reset when the system is sent to Sleep Mode by a corresponding software command.

If the system can be successfully restarted, the cause of failure can be again checked by reading the **SYS_FAIL_STS** register. The bit **WDT1_SEQ_FAIL** signals the described failure.

6.4.1.3 Main Regulators Fail Safe

If one of the voltage regulators needs to deliver too much current, a stable operation of the supply voltage is not given. In this case the overcurrent detection of VDDP and VDDC will ensure that the system will enter Sleep Mode. If the Overcurrent condition is gone, a wake-up can be generated, then the system will startup and work properly. Afterwards the corresponding failure flags **PMU_1V5_OVL** and **PMU_5V_OVL** can be checked.

6.4.2 Register Definition

Table 8 Register Overview

Register Short Name	Register Long Name	Offset Address	Reset Value
Register Definition, PMU System Fail Register			
SYS_FAIL_STS	System Fail Status Register	070 _H	0000 0000 _H

The registers are addressed wordwise.

6.4.2.1 PMU System Fail Register

This register is dedicated for the control of the PMU Peripherals

System Fail Status Register

The register is reset by RESET_TYPE_0.

Note: The register SYS_FAIL_STS is also cleared when [PMU_RESET_STS1](#).SYS_FAIL is cleared

SYS_FAIL_STS	Offset	Reset Value
System Fail Status Register	070_H	0000 0000_H

7	6	5	4	3	2	1	0
RES	WDT1_SEQ_FAIL	SYS_OT	RES	PMU_5V_OVL	PMU_1V5_OVL	SUPP_TM_OUT	SUPP_SH_OR
r	rwh	rwh	r	rwh	rwh	rwh	rwh

Field	Bits	Type	Description
RES	7	r	Reserved Always read as 0
WDT1_SEQ_FAIL	6	rwh	External Watchdog (WDT1) Sequential Fail Indicates that Watchdog is not serviced 5 times 0 _B No Fail System working properly 1 _B Sequential Watchdog Fail 5 consecutive watchdog fails
SYS_OT	5	rwh	System Overtemperature Indication Flag Indicates System Overtemperature Condition 0 _B No Overtemperature System ok 1 _B Overtemperature System Overtemperature
RES	4	r	Reserved Always read as 0

Power Management Unit (PMU)

Field	Bits	Type	Description
PMU_5V_OVL	3	rwh	VDDP Overload Flag Indicates Overload Condition at VDDP 0 _B No Overload VDDP ok 1 _B Overload VDDP Overload
PMU_1V5_OVL	2	rwh	VDDC Overload Flag Indicates Overload Condition at VDDC 0 _B No Overload VDDC ok 1 _B Overload Hall VDDC Overload
SUPP_TMOUT	1	rwh	Supply Time Out Indicates the status of the Main Supply (VDDP & VDDC) after a certain time of Power-on reset 0 _B Main Supply ok VDDP or VDDC are in expected range 1 _B Main Supply fail VDDP or VDDC do not have stable operating point
SUPP_SHORT	0	rwh	Supply Short Indicates the status of the Main Supply (VDDP & VDDC) after a certain time of Power-on reset 0 _B Main Supply ok VDDP or VDDC are in expected range 1 _B Main Supply short VDDP or VDDC do not have stable operating point

6.5 Wake-Up Management Unit (WMU)

6.5.1 Functional Description

The Wake-Up Management Unit (WMU) is mainly responsible for handling the wake-up events on LIN, HV-Monitoring Inputs (MON), Hardware reset. Following wake scenarios are possible:

- **Wake-Up over MON Pins:** the MON Pins can be configured for rising edge triggered and falling edge triggered wake-up events.
- **LIN:** is a normal wake-up source and has no configuration possibilities.

Note:

1. *None of the GPIOs is supplied during Sleep Mode, therefore wake-up is not possible through them.*

6.5.2 Register Definition

These registers are for wake-up control of all wake-up capable general purpose inputs outputs
 The WMU is fully controllable by the below listed SFR Registers.

Table 9 Register Overview

Register Short Name	Register Long Name	Offset Address	Reset Value
Register Definition, PMU Wake-Up Configuration Register			
LIN_WAKE_EN	LIN Wake Enable	050 _H	0000 0000 _B
CNF_WAKE_FILTER	PMU Wake-Up Timing Register	0AC _H	0000 0000 _B
Register Definition, PMU Wake-Up Status Register			
WAKE_STATUS	Main Wake Status Register	000 _H	00xx xxxx _B
WAKE_STS_MON	Wake Source MON Input Register	084 _H	0000 0000 _B

The registers are addressed wordwise.

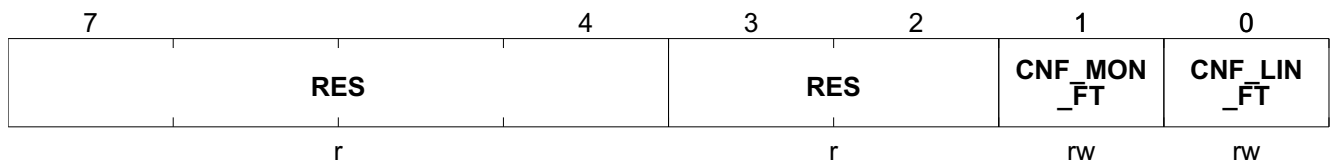
6.5.2.1 PMU Wake-Up Configuration Register

This register is dedicated for the control of the PMU Peripherals

PMU Wake-Up Timing Register

These registers are for wake-up control of all wake-up capable general purpose inputs outputs
The register is reset by RESET_TYPE_2.

CNF_WAKE_FILTER	Offset	Reset Value
PMU Wake-Up Timing Register	0AC_H	0000 0000_B

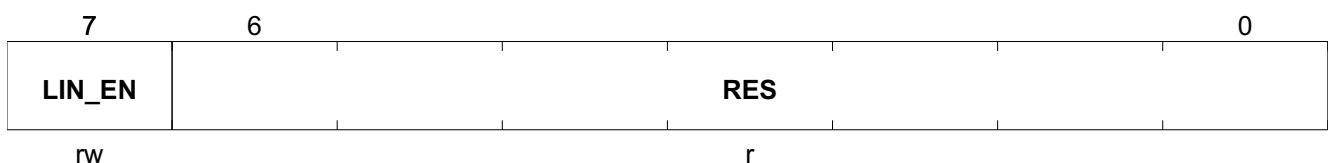


Field	Bits	Type	Description
RES	7:4	r	Reserved Always read as 0.
RES	3:2	r	Reserved Always read as 0.
CNF_MON_FT	1	rw	Wake-Up Filter time for Monitoring Inputs Selects the filter time for the Wake-Up 0 _B 20_us 20 μs filter time 1 _B 40_us 40 μs filter time
CNF_LIN_FT	0	rw	Wake-Up Filter time for LIN WAKE Selects the filter time for the Wake-Up 0 _B 30_us 30 μs filter time 1 _B 50_us 50 μs filter time

LIN Wake Enable

The register is reset by RESET_TYPE_2.

LIN_WAKE_EN	Offset	Reset Value
LIN Wake Enable	050_H	0000 0000_B



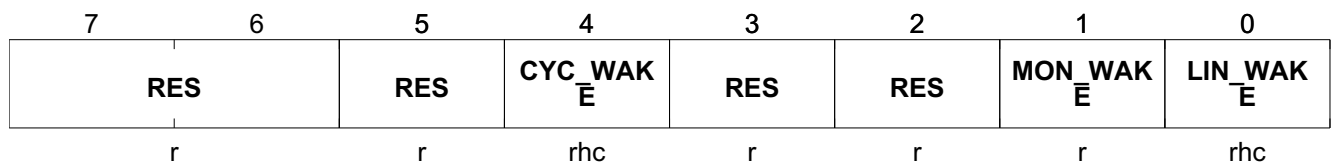
Field	Bits	Type	Description
LIN_EN	7	rw	Lin Wake enable 0 _B Disable 1 _B Enable
RES	6:0	r	Reserved Always read as 0.

6.5.2.2 PMU Wake-Up Status Register

Main wake status register

The register is reset by RESET_TYPE_0.

WAKE_STATUS	Offset	Reset Value
Main wake status register	000 _H	00xx xxxx _B



Field	Bits	Type	Description
RES	7:6	r	Reserved Always read as 0
RES	5	r	Reserved Always read as 0.
CYC_WAKE	4	rhc	Wake-Up caused by Cyclic Wake <i>Note: This flag is cleared by read operation.</i> 0 _B No Wake-up occurred 1 _B Wake-up occurred
RES	3:2	r	Reserved Always read as 0
MON_WAKE	1	r	Wake-Up via MON 0 _B No Wake-up occurred 1 _B Wake-up occurred
LIN_WAKE	0	rhc	Wake-Up via LIN- Message <i>Note: This flag is cleared by read operation.</i> 0 _B No Wake-up occurred 1 _B Wake-up occurred

6.6 Cyclic Management Unit (CMU)

6.6.1 Functional Description

The cyclic management unit is responsible for controlling the timing sequence in cyclic wake operation. The unit operates with the LP_CLK2 clock.

sensing

6.6.2 Cyclic Wake Mode

Cyclic Wake Mode provides a synchronous wake-up after a predefined time interval in Sleep Mode. Once the time interval is elapsed the PMU enters the Startup Mode and proceeds to Active Mode where the software takes over the system control. The cyclic wake interval is set in the [CNF_CYC_WAKE-SFR](#).

6.6.3 Register Definition

Table 10 Register Overview

Register Short Name	Register Long Name	Offset Address	Reset Value
Register Definition, Cyclic Wake Configuration Registers (CYCMU)			
CNF_PMU_SETTINGS	PMU Settings Register	020 _H	0000 0100 _B
CNF_CYC	CyclicMode Configuration Register	028 _H	0000 0000 _B
CNF_CYC_WAKE	Dead Time in Cyclic Wake Register	02C _H	0011 1111 _B

The registers are addressed wordwise.

6.6.3.1 Cyclic Wake Configuration Registers (CYCMU)

PMU Settings Register

The register is reset by RESET_TYPE_2.

CNF_PMU_SETTINGS Offset **020_H** Reset Value **0000 0100_B**
PMU Settings Register

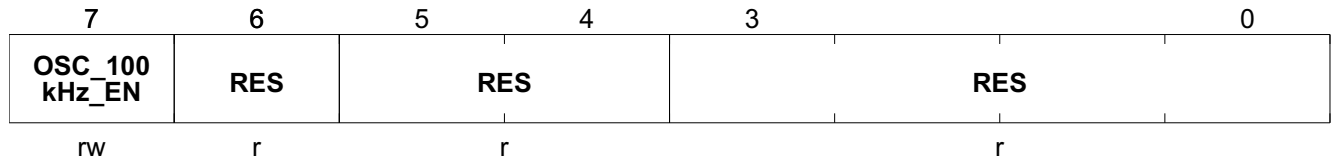
7	6	5	4	3	2	1	0
EN_VDDEXT_OC_*	RES	RES	RES	RES	CYC_WAKE_EN	RES	RES
rw	r	r	r	r	rw	r	r

Field	Bits	Type	Description
EN_VDDEXT_OC_OFF_N	7	rw	Disabling VDDEXT Shutdown in Overload Condition This bit enables the Hall Supply feature to be switched of in case of overload condition. 0 _B Shutdown enabled 1 _B Shutdown disabled
RES	6:5	r	Reserved Always read as 0
RES	4	r	Reserved Always read as 0
RES	3	r	Reserved Always read as 0
CYC_WAKE_EN	2	rw	Enabling Cyclic Wake This bit enables the cyclic wake feature for the power save modes. 0 _B Cyclic Wake disabled 1 _B Cyclic Wake enabled
RES	1:0	r	Reserved Always read as 0

Cyclic Register

The register is reset by RESET_TYPE2.

CNF_CYC	Offset	Reset Value
CyclicMode Configuration Register	028_H	0000 0000_B



Field	Bits	Type	Description
OSC_100kHz_EN	7	rw	100 kHz Oscillator Enable Enables the 100 kHz Oscillator output from the PMU to be provided to Timer 3 0 _B DISABLE Oscillator is disabled 1 _B ENABLE Oscillator is enabled
RES	6	r	Reserved Always read as 0
RES	5:0	r	Reserved Always read as 0

Dead Time in Cyclic Wake Register

The register is reset by RESET_TYPE2.

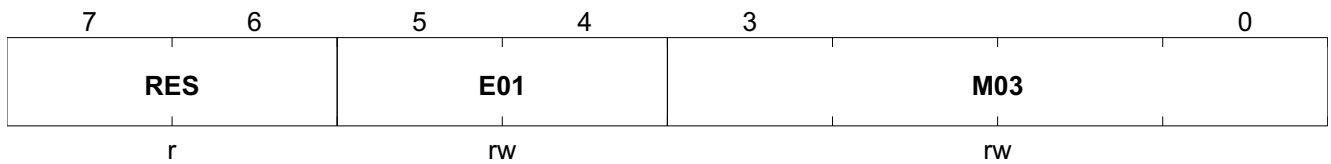
The dead time of Cyclic Wake will be configured in the CNF_CYC_WAKE register.

The following formula shows how the dead time for Cyclic Wake mode will be calculated:

$$4^{(E1E0)} \cdot (M3M2M1M0+1) \cdot 2ms$$

E1E0 represents the register flags CYC_WAKE_E01 and M3M2M1M0 represents the register flags CYC_WAKE_M03.

CNF_CYC_WAKE **Offset** **Reset Value**
Dead Time in Cyclic Wake Register **02C_H** **0011 0111_B**



Field	Bits	Type	Description
RES	7:6	r	Reserved Always read as 0
E01	5:4	rw	Exponent 00 _B Exponent value is 0 01 _B Exponent value is 1 10 _B Exponent value is 2 11 _B Exponent value is 3
M03	3:0	rw	Mantissa Mantissa value is calculated as CYC_WAKE_M03 +1 0000 _B Mantissa value is 1 1111 _B Mantissa value is 16

6.7 Reset Management Unit (RMU)

6.7.1 Functional Description

The Reset Management Unit (RMU) controls the reset behavior of the entire device. The master reset of the device is the power-on reset of the PMU itself. This reset is generated by the Power Down Supply and it is released when the battery voltage (V_s) reaches the minimum supply voltage for Active Mode. Then the PMU starts the sequence to power up the supply generation module which ends with the release of the MCU reset. If this status is reached then the embedded system will work in Active Mode. This scenario is signalled by the PMU_1V5DidPOR flag in the **PMU_RESET_STS1**. The figure below shows the power-on reset behavior.

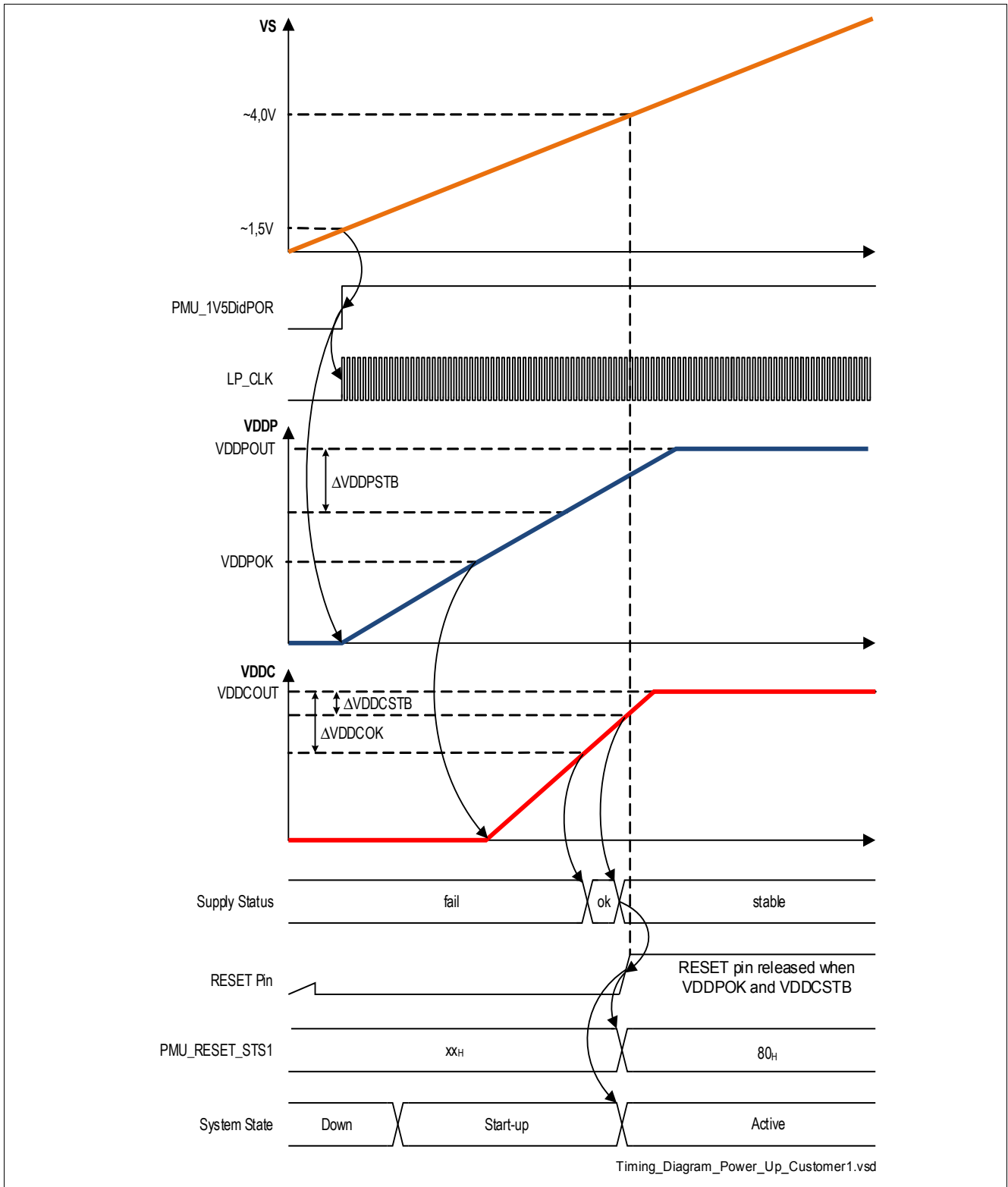


Figure 13 Power-On and Startup Behavior of Reset

The arrows in the diagram above display a causal connection between the various steps and not necessarily a voltage based connection.

In case of a Sleep Mode exit a similar sequence like for battery ramp-up starts is used. If this sequence ends successfully then the PMU also releases the reset of the MCU. From the MCU point of view there is no difference

to the battery ramp-up. Only inside of the RMU the identification bit **PMU_SleepEx** is set instead of the power-on identification bit. The power down sequence looks as follows:

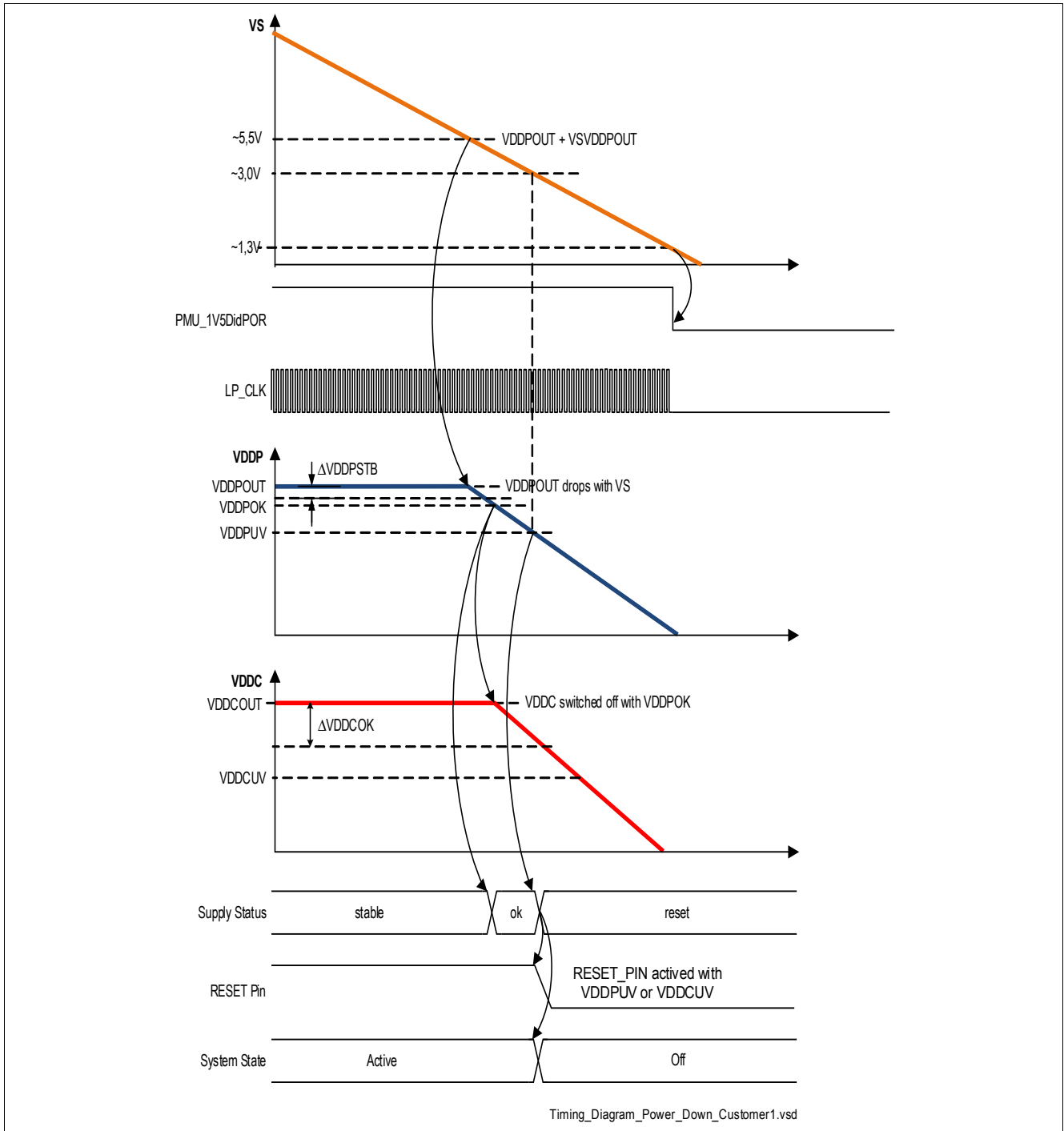


Figure 14 Power-Down and Power Loss Sequence

The arrows in the diagram above display a causal connection between the various steps and not necessarily a voltage based connection.

To wake-up with reset the corresponding **SFR** bit **WAKE_W_RST** inside the **CNF_PMU_SETTINGS** register need be configured. With this configuration the wake-up signal sets the dedicated identification bit **PMU_WAKE** which can be checked by the application software.

Power Management Unit (PMU)

The third hardware related reset source is the pin-reset. The pin itself is supplied by the VDDP domain which is available in Active Mode. Therefore the reset-pin can be used in Active Mode only. Due to the bidirectional use of the pin itself the pin-reset request is gated during the execution of another reset request (e.g. soft-reset). For this purpose the pin-reset request must be stable for more than 500 ns.

The reset request caused by a not served or wrongly served system watchdog, is also processed as a hardware related reset although this reset request is implicitly controlled by user software. The system watchdog only works in Active Mode. In this case it expects a periodic trigger (window watchdog) from the user software. If the trigger is missing then the PMU gets the signal that the watchdog was not serviced which sets the identification bit PMU_ExtWDT from WDT1. After some clock cycles of the PMU internal oscillator LP_CLK the PMU resets the MCU.

The software-reset and the reset request caused by the MCU internal watchdog are controlled explicitly by user software and can be used only in Active Mode. From the system point of view both of these reset sources have the lowest priority. The software related reset is executed within two MCU clock cycles. The system clock of the PMU works independently of the MCU clock. Due to these system conditions the PMU processes the software related resets asynchronously to its internal system clock. The software-reset is flagged by the PMU_SOFT bit. The MCU internal watchdog is signalled by the PMU_IntWDT bit. Both flags are located in the **PMU_RESET_STS2** register.

Another reset source is the PGU module. In case the main voltage regulators (VDDP and VDDC) will fail, the system will execute a system reset and enter Sleep Mode afterwards. This case is flagged by setting the indication bit SYS_FAIL.

Reset types are combinations of the above described resets. The reset of an XSFR register is depending on the corresponding reset type. Other registers (all SFRs except NMI status flags) are always reset independent of the reset type. The figure below shows this combination of resets.

	SoC power-on	Sleep-Mode	Pin-Reset	WDT_EXT	SOFT	WDT_INT	error_sup=5	error_wdt=5
RESET_TYPE_0	X							
RESET_TYPE_1	X						X	X
RESET_TYPE_2	X		X	X	X	X	X	X
RESET_TYPE_3	X	X	X	X	X	X	X	X
RESET_TYPE_4	X	X	X	X			X	X

XSFR_reset_types_customer.vsd

Figure 15 Reset Types of SFRS provided by the RMU

Out of these above listed resets mainly five reset types are derived:

- **RESET_TYPE_0** contains:
 - PMU_1V5DidPOR: this reset is issued when the power down supply detects undervoltage
- **RESET_TYPE_1** is an OR of:

- PMU_1V5DidPOR
- PMU_FAIL: this reset is issued when the VDDC or VDDP supply have a failure
- WDT_FAIL: this reset is issued when the WDT1 is not triggered consecutively 5 times properly
- **RESET_TYPE_2** is an OR of:
 - PMU_1V5DidPOR
 - PMU_PIN: this reset is issued when the RESET-Pin is pulled down
 - PMU_ExtWDT: this reset is a WDT1 related reset
 - PMU_IntWDT: this reset is an internal WDT issued reset
 - PMU_SOFT: this reset is a software related reset
 - PMU_FAIL
 - WDT_FAIL
- **RESET_TYPE_3** is an OR of:
 - PMU_1V5DidPOR
 - PMU_PIN
 - PMU_ExtWDT
 - PMU_IntWDT
 - PMU_SOFT
 - PMU_Wake
 - PMU_SleepEx: this reset is a sleep wake-up related reset
 - PMU_FAIL
 - WDT_FAIL
- **RESET_TYPE_4** is an OR of:
 - PMU_1V5DidPOR
 - PMU_PIN
 - PMU_ExtWDT
 - PMU_Wake
 - PMU_SleepEx: this reset is a sleep wake-up related reset
 - PMU_FAIL
 - WDT_FAIL

Every register has its own reset type listed. In the Power Management Unit SFRs following reset types are used:

- RESET_TYPE_0
- RESET_TYPE_1
- RESET_TYPE_2
- RESET_TYPE_3
- RESET_TYPE_4

6.7.2 Register Definition

Table 11 Register Overview

Register Short Name	Register Long Name	Offset Address	Reset Value
Register Definition, Reset Management Unit Registers (RMU)			
PMU_RESET_STS1	Reset Status Hard Register	010 _H	0000 0000 _H
PMU_RESET_STS2	Reset Status Soft Register	014 _H	0000 0000 _H
CNF_RST_TFB	Reset Blind Time Register	06C _H	0000 0003 _H

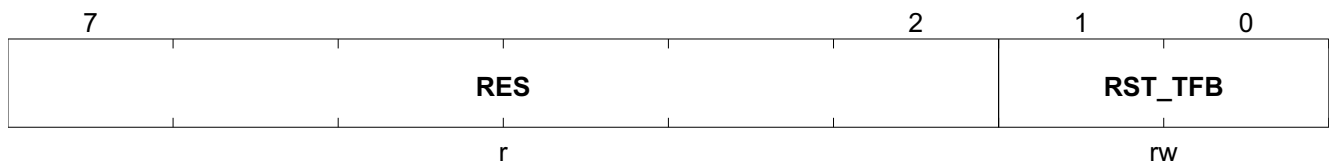
The registers are addressed wordwise.

6.7.2.1 Reset Management Unit Registers (RMU)

Reset Blind Time Register

The Reset Pin is a bidirectional signal. Every reset will be signaled on that pin for a few 100 ns. In order to avoid any reset deadlock situation there is a programmable reset blind time, where no hardware pin reset will be recognized. The reset blind time envelopes the phase, where the reset pin acts as an active reset output. The register is reset by RESET_TYPE_2.

CNF_RST_TFB	Offset	Reset Value
Reset Blind Time Register	06C_H	0000 0003_H



Field	Bits	Type	Description
RES	7:2	r	Reserved Always read as 0
RST_TFB	1:0	rw	Reset Pin Blind Time Selection Bits These bits select the blind time for the reset input sampling. 00 _B RST_TFB_0 0,5 μs typ. 01 _B RST_TFB_1 1 μs typ. 10 _B RST_TFB_2 5 μs typ. 11 _B RST_TFB_3 31 μs typ.

Reset Status Hard Register

The PMU_RESET_STS1 register shows every executed reset request. The PMU writes the corresponding register bit of an executed reset. To clear the information of the PMU_RESET_STS1 register the user must overwrite the corresponding bit with a logic zero. The register is reset by RESET_TYPE_0.

PMU_RESET_STS1	Offset	Reset Value
Reset Status Hard Register	010_H	0000 0000_H

7	6	5	4	3	2	1	0
PMU_1V5 DidPOR	PMU_PIN	PMU_Ext WDT	PMU_Clk WDT	PMU_LPR	PMU_Sleep EX	RES	SYS_FAIL
rwh	rwh	rwh	rwh	rwh	rwh	r	rwh

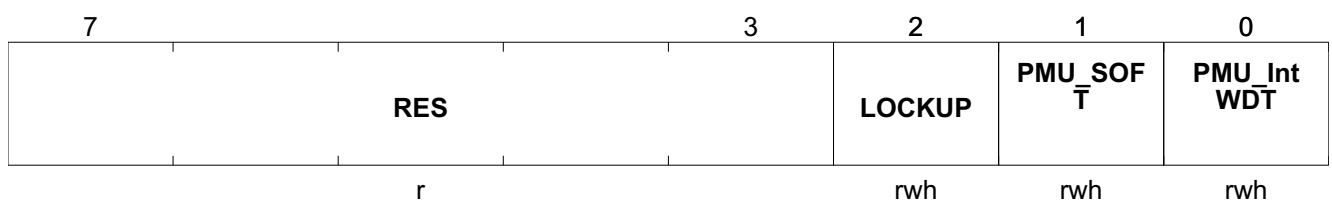
Field	Bits	Type	Description
PMU_1V5DidPOR	7	rwh	Power-On Reset Flag 0 _B No Power-On reset executed 1 _B Power-On reset executed
PMU_PIN	6	rwh	PIN-Reset Flag 0 _B No PIN-Reset executed 1 _B PIN-Reset executed
PMU_ExtWDT	5	rwh	External Watchdog (WDT1) Reset Flag 0 _B No External Watchdog reset executed 1 _B External Watchdog reset executed
PMU_ClkWDT	4	rwh	Clock Watchdog (CLKWDT) Reset Flag 0 _B No Clock Watchdog reset executed 1 _B Clock Watchdog reset executed
PMU_LPR	3	rwh	Low Priority Resets (see PMU_RESET_STS2) 0 _B Low Priority-Reset executed 1 _B Low Priority executed
PMU_SleepEX	2	rwh	Flag which indicates a reset caused by Sleep-Exit 0 _B No reset caused by Sleep-Exit executed 1 _B Reset caused by Sleep-Exit executed
RES	1	r	Reserved Always read as 0
SYS_FAIL	0	rwh	Flag which indicates a reset caused by a System Fail reported in the corresponding Fail Register 0 _B No reset caused by System Fail executed 1 _B Reset caused by System Fail executed

Reset Status Soft Register

The PMU_RESET_STS register shows every executed reset request. The PMU writes the corresponding register bit using settings of the asynchronously set input of the flip-flop. To clear the information of the PMU_RESET_STS register the user must overwrite the corresponding bit with a logic zero. The register is reset by RESET_TYPE_0.

Note: The register PMU_RESET_STS2 is also cleared when [PMU_RESET_STS1](#).PMU_LPR is cleared.

PMU_RESET_STS2	Offset	Reset Value
Reset Status Soft Register	014_H	0000 0000_H



Field	Bits	Type	Description
RES	7:3	r	Reserved Always read as 0
LOCKUP	2	rwh	Lockup-Reset Flag 0 _B No Lockup-Reset executed 1 _B Lockup-Reset executed
PMU_SOFT	1	rwh	Soft-Reset Flag 0 _B No Soft-Reset executed 1 _B Soft-Reset executed
PMU_IntWDT	0	rwh	Internal Watchdog Reset Flag 0 _B No Internal Watchdog reset executed 1 _B Internal Watchdog reset executed

6.8 PMU Data Storage Area

6.8.1 Functional Description

The PMU provides the possibility for the system to store data in registers which will retain their values, when the device is set to sleep mode. In sum there are 12 x 8 Bit available.

6.8.2 Register Definition

Table 12 Register Overview

Register Short Name	Register Long Name	Offset Address	Reset Value
Register Definition, Data Storage Registers			
GPUDATA00	General Purpose User DATA0	0C0 _H	0000 0000 _H
GPUDATA01	General Purpose User DATA1	0C4 _H	0000 0000 _H
GPUDATA02	General Purpose User DATA2	0C8 _H	0000 0000 _H
GPUDATA03	General Purpose User DATA3	0CC _H	0000 0000 _H
GPUDATA04	General Purpose User DATA4	0D0 _H	0000 0000 _H
GPUDATA05	General Purpose User DATA5	0D4 _H	0000 0000 _H
GPUDATA06	General Purpose User DATA6	0D8 _H	0000 0000 _H
GPUDATA07	General Purpose User DATA7	0DC _H	0000 0000 _H
GPUDATA08	General Purpose User DATA8	0E0 _H	0000 0000 _H
GPUDATA09	General Purpose User DATA9	0E4 _H	0000 0000 _H
GPUDATA10	General Purpose User DATA10	0E8 _H	0000 0000 _H
GPUDATA11	General Purpose User DATA11	0EC _H	0000 0000 _H
SystemStartConfig	System Startup Configuration	2D4 _H	0000 0000 _H

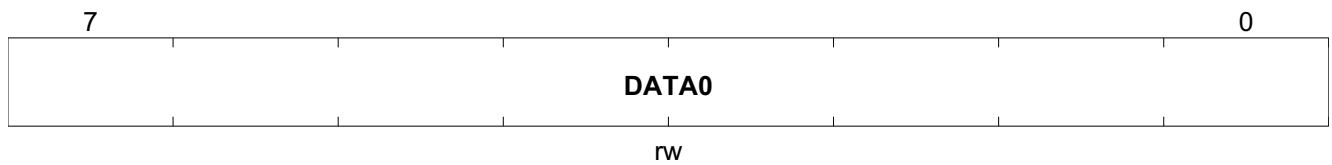
The registers are addressed wordwise.

6.8.2.1 Data Storage Registers

General Purpose User DATA0 Storage Register

The register is reset by RESET_TYPE_1.

GPUDATA00	Offset	Reset Value
General Purpose User DATA0	0C0 _H	0000 0000 _H

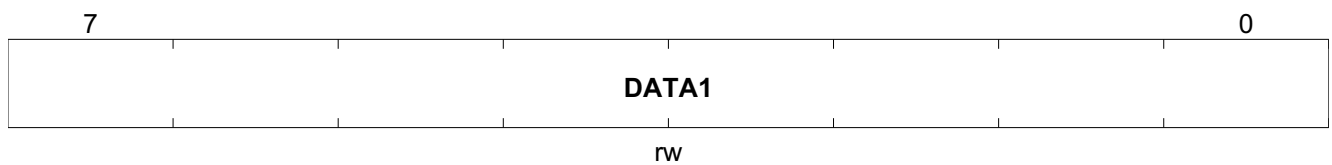


Field	Bits	Type	Description
DATA0	7:0	rw	DATA0 Storage Byte 1st byte of storage area

General Purpose User DATA1 Storage Register

The register is reset by RESET_TYPE_1.

GPUDATA01	Offset	Reset Value
General Purpose User DATA1	0C4 _H	0000 0000 _H

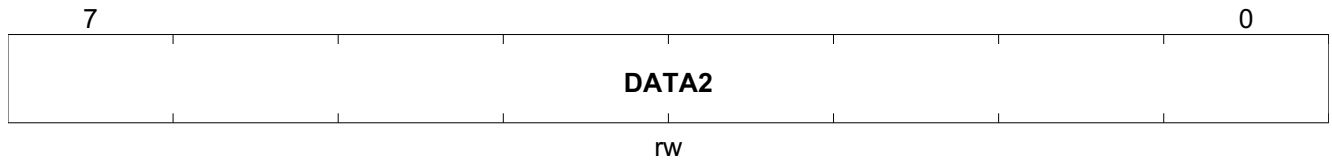


Field	Bits	Type	Description
DATA1	7:0	rw	DATA1 Storage Byte 2nd byte of storage area

General Purpose User DATA2 Storage Register

The register is reset by RESET_TYPE_1.

GPUDATA02	Offset	Reset Value
General Purpose User DATA2	0C8 _H	0000 0000 _H

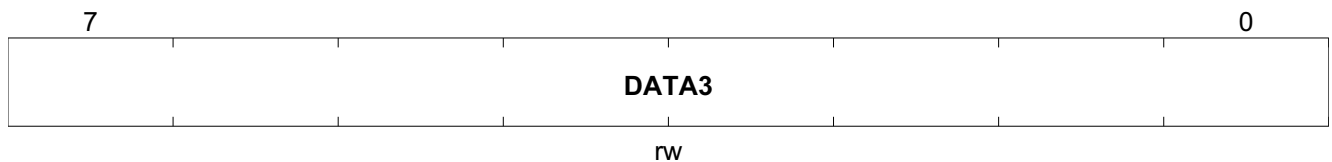


Field	Bits	Type	Description
DATA2	7:0	rw	DATA2 Storage Byte 3rd byte of storage area

General Purpose User DATA3 Storage Register

The register is reset by RESET_TYPE_1.

GPUDATA03	Offset	Reset Value
General Purpose User DATA3	0CC _H	0000 0000 _H

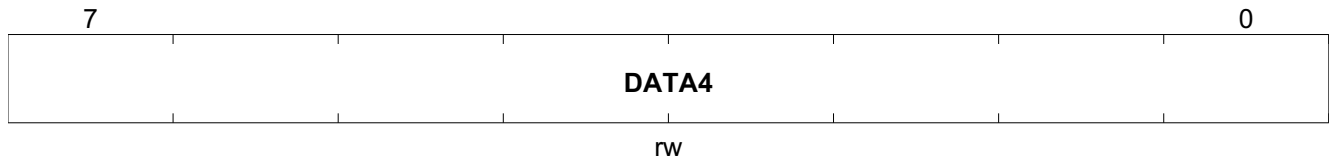


Field	Bits	Type	Description
DATA3	7:0	rw	DATA3 Storage Byte 4th byte of storage area

General Purpose User DATA4 Storage Register

The register is reset by RESET_TYPE_1.

GPUDATA04	Offset	Reset Value
General Purpose User DATA4	0D0 _H	0000 0000 _H

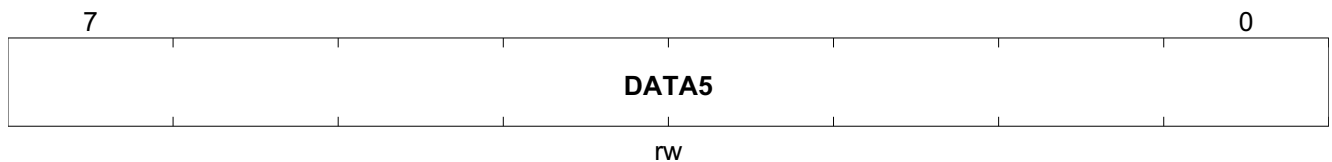


Field	Bits	Type	Description
DATA4	7:0	rw	DATA4 Storage Byte 5th byte of storage area

General Purpose User DATA5 Storage Register

The register is reset by RESET_TYPE_1.

GPUDATA05	Offset	Reset Value
General Purpose User DATA5	0D4 _H	0000 0000 _H

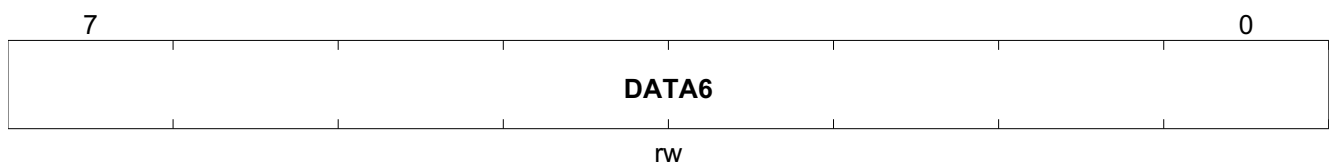


Field	Bits	Type	Description
DATA5	7:0	rw	DATA5 Storage Byte 6th byte of storage area

General Purpose User DATA6 Storage Register

The register is reset by RESET_TYPE_1.

GPUDATA06	Offset	Reset Value
General Purpose User DATA6	0D8 _H	0000 0000 _H

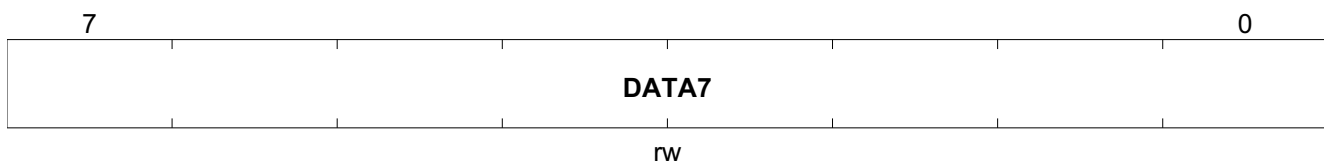


Field	Bits	Type	Description
DATA6	7:0	rw	DATA6 Storage Byte 7th byte of storage area

General Purpose User DATA7 Storage Register

The register is reset by RESET_TYPE_1.

GPUDATA07	Offset	Reset Value
General Purpose User DATA7	0DC_H	0000 0000_H

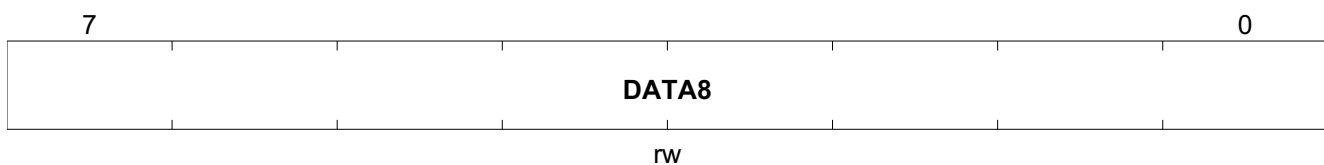


Field	Bits	Type	Description
DATA7	7:0	rw	DATA7 Storage Byte 8th byte of storage area

General Purpose User DATA8 Storage Register

The register is reset by RESET_TYPE_1.

GPUDATA08	Offset	Reset Value
General Purpose User DATA8	0E0_H	0000 0000_H



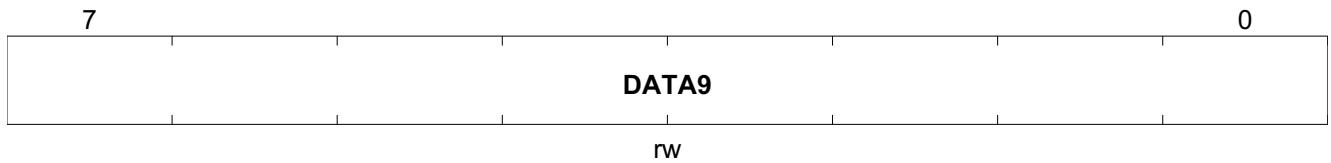
Field	Bits	Type	Description
DATA8	7:0	rw	DATA8 Storage Byte 9th byte of storage area

General Purpose User DATA9 Storage Register

The register is reset by RESET_TYPE_1.

GPUDATA09	Offset	Reset Value
General Purpose User DATA9	0E4_H	0000 0000_H

Power Management Unit (PMU)

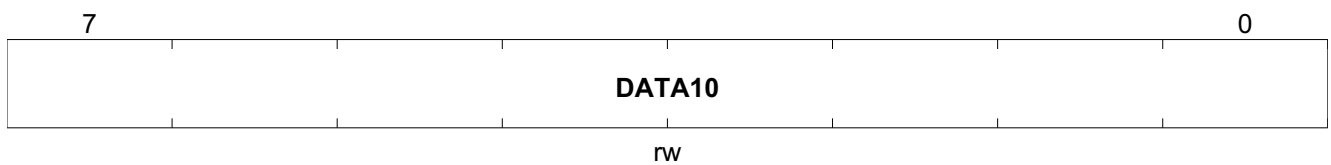


Field	Bits	Type	Description
DATA9	7:0	rw	DATA9 Storage Byte 10th byte of storage area

General Purpose User DATA10 Storage Register

The register is reset by RESET_TYPE_1.

GPUDATA10	Offset	Reset Value
General Purpose User DATA10	0E8 _H	0000 0000 _H

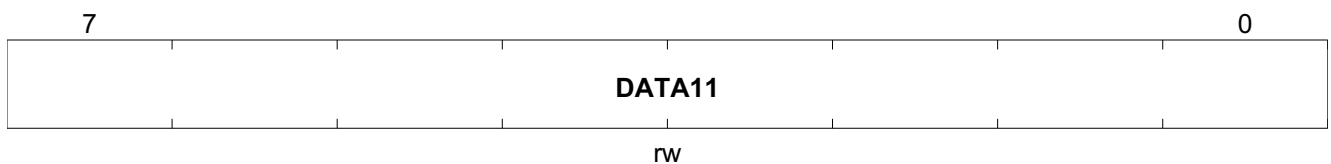


Field	Bits	Type	Description
DATA10	7:0	rw	DATA10 Storage Byte 11th byte of storage area

General Purpose User DATA11 Storage Register

The register is reset by RESET_TYPE_1.

GPUDATA11	Offset	Reset Value
General Purpose User DATA11	0EC _H	0000 0000 _H

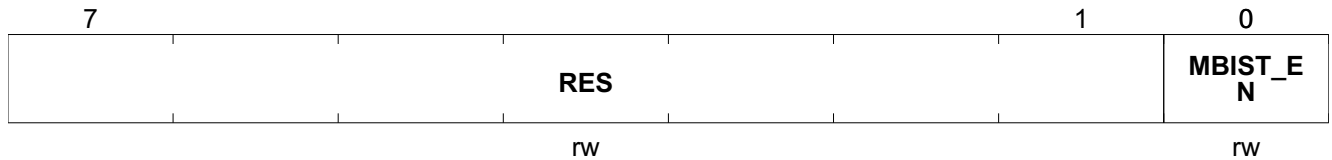


Field	Bits	Type	Description
DATA11	7:0	rw	DATA11 Storage Byte 12th byte of storage area

System Startup Configuration Register

The register is reset by RESET_TYPE_1.

SystemStartConfig	Offset	Reset Value
System Startup Configuration Register	2D4_H	0000 0000_H



Field	Bits	Type	Description
RES	7:1	rw	Free for use Always read back what was written in before
MBIST_EN	0	rw	System Startup Configuration Bit for RAM MBIST at Sleep Mode exit 0 _B No MBIST executed at Sleep Mode exit 1 _B MBIST executed at Sleep Mode exit

7 System Control Unit - Digital Modules (SCU-DM)

7.1 Features

- Flexible clock configuration features
- Reset management of all system resets
- System modes control for all power modes (active, power down, sleep)
- Interrupt enabling for many system peripherals
- General purpose input output control
- Debug mode control of system peripherals

7.2 Introduction

The System Control Unit (SCU) supports all central control tasks in the TLE9868QXB20. The SCU is made up of the following sub-modules:

- Clock System and Control (see [Section 7.3 on Page 73](#))
- Reset Control (see [Section 7.4 on Page 102](#))
- Power Management (see [Section 7.5 on Page 107](#))
- Interrupt Management (see [Section 7.6 on Page 110](#))
- General Port Control (see [Section 7.7 on Page 118](#))
- Flexible Peripheral Management (see [Section 7.8 on Page 128](#))
- Module Suspend Control (see [Section 7.9 on Page 131](#))
- Watchdog Timer (see [Section 7.10 on Page 134](#))
- Error Detection and Correction in Data Memory (see [Section 7.11 on Page 138](#))
- Miscellaneous Control (see [Section 7.12 on Page 142](#))

The mapping of all registers is detailed in [Section 7.2.2 on Page 71](#)

7.2.1 Block Diagram

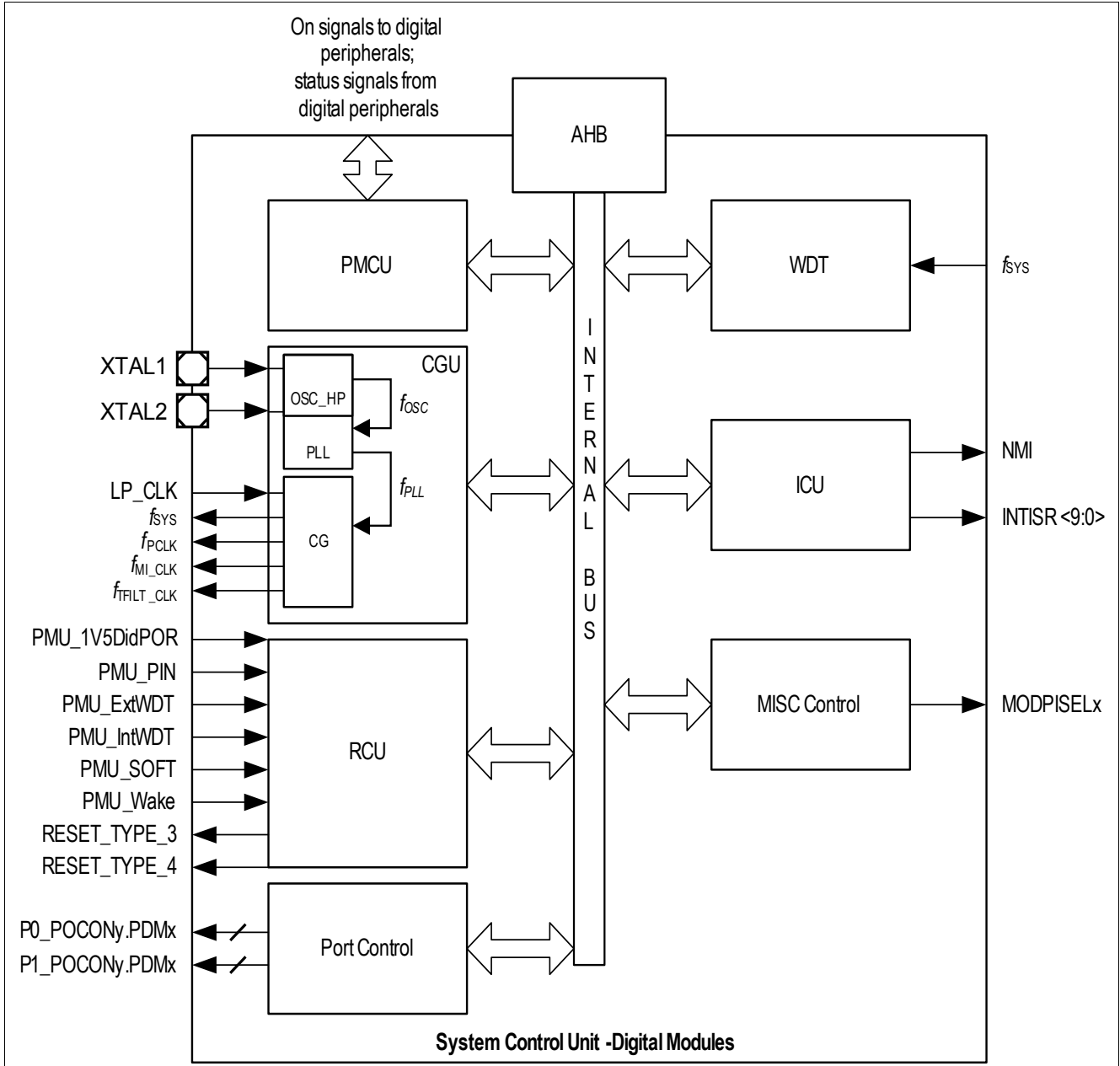


Figure 16 System Control Unit - Digital Modules Block Diagram

AHB (Advanced High-Performance Bus)

PMCU (Power Module Control Unit)

WDT (Watchdog Timer in SCU-DM)

- f_{SYS} System clock

CGU (Clock Generation Unit)

- f_{SYS} System clock
- f_{PCLK} Peripheral clock

- f_{MI_CLK} Measurement interface clock
- f_{TFILT_CLK} Analog module filter clock
- LP_CLK Clock source for all PMU submodules and WDT1

ICU (Interrupt Control Unit)

- NMI (Non-Maskable Interrupt)
- INTISR<15,13:4,1,0> External interrupt signals

RCU (Reset Control Unit)

- PMU_1V5DidPOR Undervoltage reset of power down supply
- PMU_PIN Reset generated by reset pin
- PMU_ExtWDT WDT1 reset
- PMU_IntWDT WDT (SCU) reset
- PMU_SOFT Software reset
- PMU_Wake Sleep Mode exit with reset
- RESET_TYPE_3 Peripheral reset (contains all resets)
- RESET_TYPE_4 Peripheral reset (without SOFT and WDT reset)

Port Control

- P0_POCONy.PDMx driver strength control
- P1_POCONy.PDMx driver strength control

MISC Control

- MODPISELx Mode selection registers for UART (source section) and Timer (trigger or count selection)

7.2.2 SCU Register Overview

This chapter contains an overview of all SCU Registers.

7.2.2.1 Register Map

There are two SCU kernels in the TLE9868QXB20, namely SCU1 and SCU2. SCU1 is dedicated for LIN transmission. SCU2 is dedicated for external UART communication.

Table 14 lists the addresses of the SCU SFRs.

Table 13 shows the SCU module base addresses.

Table 13 Registers Address Space

Module	Base Address	End Address	Note
SCU	5000 5000 _H	5000 5FFF _H	

Table 14 Registers Overview SCU Module

Register Short Name	Register Long Name	Offset Address	Page Number
IRCON0	Interrupt Request Register 0	004 _H	280
IRCON1	Interrupt Request Register 1	008 _H	281
IRCON2	Interrupt Request Register 2	00C _H	282
IRCON3	Interrupt Request Register 3	010 _H	283
IRCON4	Interrupt Request Register 4	014 _H	285

Table 14 Registers Overview SCU Module

Register Short Name	Register Long Name	Offset Address	Page Number
NMISR	NMI Status Register	018 _H	288
IEN0	Interrupt Enable Register 0	01C _H	276
NMICON	NMI Control Register	024 _H	277
EXICON0	External Interrupt Control Register 0	028 _H	279
IRCON0CLR	Interrupt Control 0 Clear Register	02C _H	281
MODIEN1	Peripheral Interrupt Enable Register 1	030 _H	113
MODIEN2	Peripheral Interrupt Enable Register 2	034 _H	114
MODIEN3	Peripheral Interrupt Enable Register 3	038 _H	115
MODIEN4	Peripheral Interrupt Enable Register 4	03C _H	115
PMCON0	Power Mode Control Register 0	040 _H	109
PLL_CON	PLL Control Register	044 _H	88
CMCON1	Clock Control Register 1	048 _H	90
CMCON2	Clock Control Register 2	04C _H	92
WDTCON	Watchdog Timer Control Register	050 _H	137
APCLK_CTRL1	Analog Peripheral Clock Control 1 Register	054 _H	94
APCLK1	Analog Peripheral Clock Register 1	058 _H	97
APCLK2	Analog Peripheral Clock Register 2	05C _H	99
PMCON1	Peripheral Management Control Register 1	060 _H	129
PMCON2	Peripheral Management Control Register 2	064 _H	130
APCLK_CTRL2	Analog Peripheral Clock Control 2 Register	06C _H	96
SYSCON0	System Control Register 0	070 _H	93
WDTREL	Watchdog Timer Reload Register	078 _H	137
WDTWINB	Watchdog Window-Boundary Count	07C _H	138
WDTL	Watchdog Timer, Low Byte	080 _H	138
WDTH	Watchdog Timer, High Byte	084 _H	138
ID	Identity Register	0A8 _H	147
PASSWD	Password Register	0AC _H	142
OSC_CON	OSC Control Register	0B0 _H	86
COCON	Clock Output Control Register	0B4 _H	101
MODPISEL	Peripheral Input Select Register	0B8 _H	118
MODPISEL1	Peripheral Input Select Register 1	0BC _H	119
MODPISEL2	Peripheral Input Select Register 2	0C0 _H	120
MODPISEL3	Peripheral Input Select Register 3	0C4 _H	121
MODSUSP1	Module Suspend Control Register 1	0C8 _H	132
MODSUSP2	Module Suspend Control Register 2	0CC _H	133
EDCCON	Error Detection and Correction Control Register	0D4 _H	139
EDCSTAT	Error Detection and Correction Status Register	0D8 _H	140
MEMSTAT	Memory Status Register	0DC _H	148
NVM_PROT_STS	NVM Protection Status Register	0E0 _H	145
MEM_ACC_STS	Memory Access Status Register	0E4 _H	145
P0_POCON0	Port Output Control Register	0E8 _H	122

Table 14 Registers Overview SCU Module

Register Short Name	Register Long Name	Offset Address	Page Number
P0_POCON1	Port Output Control Register	0EC _H	123
P0_POCON2	Port Output Control Register	0F0 _H	124
TCCR	Temperature Compensation Control Register	0F4 _H	127
P1_POCON0	Port Output Control Register	0F8 _H	125
P1_POCON1	Port Output Control Register	0FC _H	126
P1_POCON2	Port Output Control Register	100 _H	127
GPT12IEN	GPT12 Interrupt Enable Register	15C _H	116
GPT12IRC	Timer and Counter Control/Status Register	160 _H	286
IRCON1CLR	Interrupt Request 1 Clear Register	178 _H	282
IRCON2CLR	Interrupt Request 2 Clear Register	17C _H	283
IRCON3CLR	Interrupt Request 3 Clear Register	190 _H	284
IRCON4CLR	Interrupt Request 4 Clear Register	194 _H	285

7.3 Clock Generation Unit

The Clock Generation Unit (CGU) enables a flexible clock generation for TLE9868QXB20. During user program execution, the frequency can be modified to optimize the performance/power consumption ratio, allowing power consumption to be adapted to the actual application state.

The CGU in the TLE9868QXB20 consists of one oscillator circuit (OSC_HP), a Phase-Locked Loop (PLL) module with an internal oscillator (OSC_PLL), and a Clock Control Unit (CCU). The CGU can convert a low-frequency input/external clock signal to a high-frequency internal clock.

The system clock f_{SYS} is generated from of the following selectable clocks:

- PLL clock output f_{PLL}
- Direct clock from oscillator OSC_HP f_{OSC}
- Low precision clock f_{LP_CLK} (HW-enabled for startup after reset and during power-down wake-up sequence)

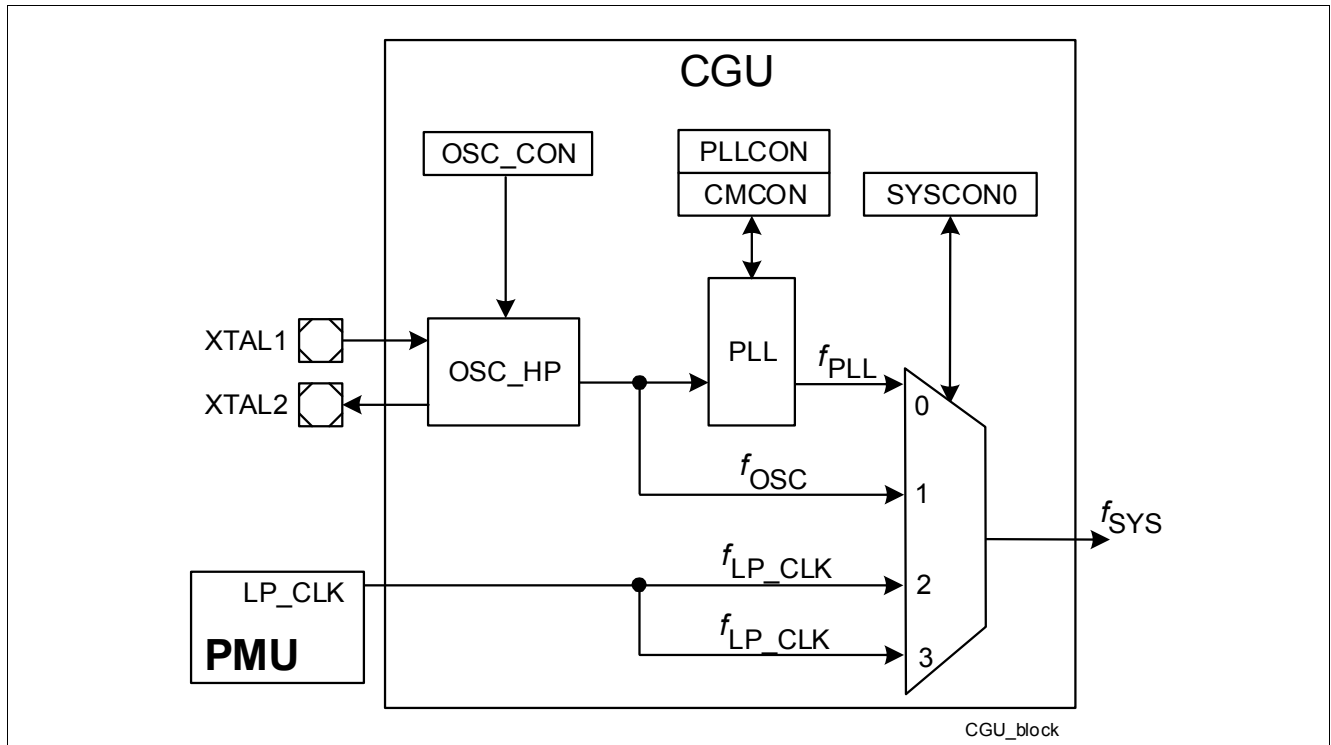


Figure 17 Clock Generation Unit Block Diagram

The following sections describe the different parts of the CGU.

7.3.1 Low Precision Clock

The clock source LP_CLK is a low-precision RC oscillator (LP-OSC) with a nominal frequency of 18 MHz that is enabled by hardware as an independent clock source for the TLE9868QXB20 startup after reset and during the power-down wake-up sequence. f_{LP_CLK} is not user configurable.

7.3.2 High Precision Oscillator Circuit (OSC_HP)

The high precision oscillator circuit, designed to work with both an external crystal oscillator or an external stable clock source, consists of an inverting amplifier with XTAL1 as the input, and XTAL2 as the output.

Figure 18 shows the recommended external circuitry for both operating modes, External Crystal Mode and External Input Clock Mode.

7.3.2.1 External Input Clock Mode

When supplying the clock signal directly, not using an external crystal and bypassing the oscillator, the input frequency needs to be equal or greater than 4 MHz if the PLL VCO part is used.

When using an external clock signal it must be connected to XTAL1. XTAL2 is left open (unconnected).

7.3.2.2 External Crystal Mode

When using an external crystal, its frequency can be within the range of 4 MHz to 25 MHz. An external oscillator load circuitry must be used, connected to both pins, XTAL1 and XTAL2. It normally consists of the two load capacitances C1 and C2. A series damping resistor could be required for some crystals. The exact values and the corresponding operating ranges depend on the crystal and have to be determined and optimized in cooperation with the crystal vendor using the negative resistance method. The following load cap values can be used as starting point for the evaluation:

Table 15 External CAP Capacitors

Fundamental Mode Crystal Frequency (approx., MHz)	Load Caps C_1, C_2 (pF)
4	33
8	18
12	12
16	10
20	10
25	8

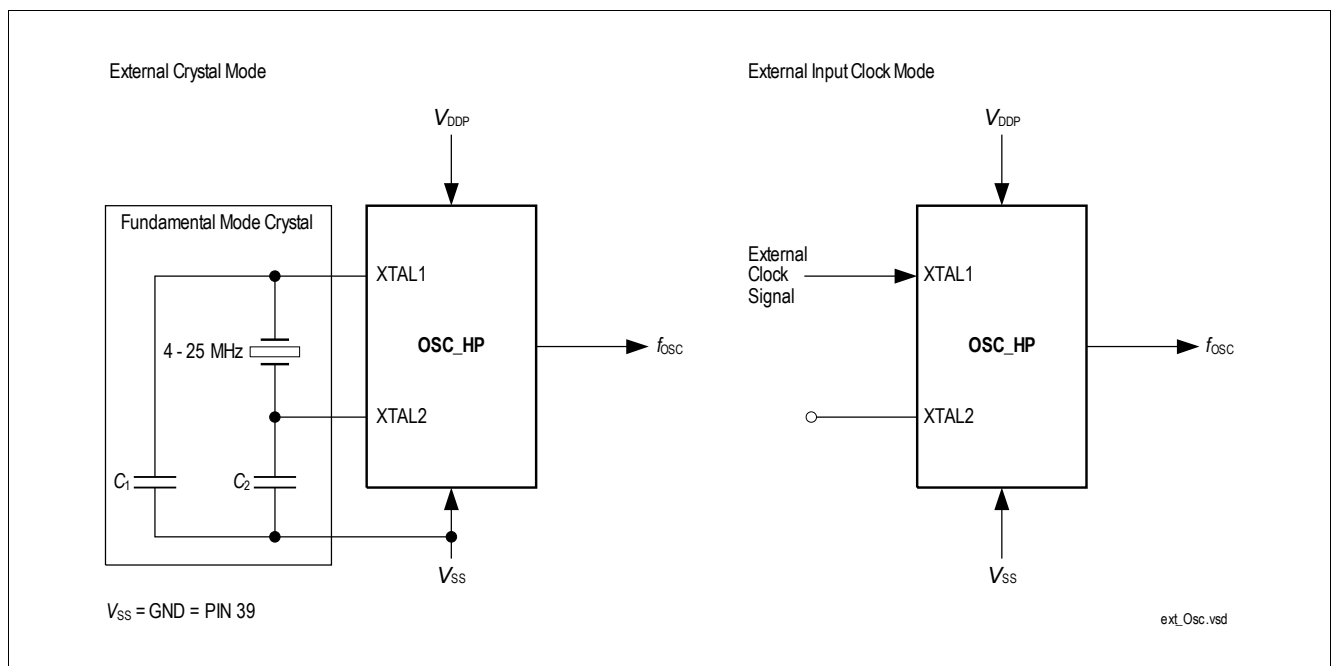


Figure 18 TLE9868QXB20 External Circuitry for the OSC_HP

7.3.3 Phase-Locked Loop (PLL) Module

This section describes the TLE9868QXB20 PLL module.

The clock f_{PLL} is generated in one of the following PLL configured modes:

- Prescaler Mode, also called VCO Bypass Mode
- Normal Mode
- Freerunning Mode

7.3.3.1 Features

Following is an overview of the PLL features/functions:

- Programmable clock generation PLL
- Loop filter
- Input frequency: $f_{OSC} = 4$ to 16 MHz
- VCO frequency: $f_{VCO} = 48$ MHz to 160 MHz (selectable by range)
- VCO lock detection
- Oscillator run detection
- Output frequency: $f_{PLL} = 46.87$ kHz to 80 MHz
- Provided: Fixed input divider $P = 1$

- Provided: 4-bit feedback divider **N**
- Provided: 2-bit output divider **K2** and 1-bit output divider **K1**
- Oscillator Watchdog
- Prescaler Mode
- Freerunning Mode
- Normal Mode
- Sleep Mode, also automatically activated during device power-save mode
- Glitchless switching between both K-Dividers
- Glitchless switching between Normal Mode and Prescaler Mode
- Internal Oscillator for oscillator watchdog
- Internal Oscillator as clock source - CGU Oscillator, 5 MHz

7.3.3.2 PLL Functional Description

The following figure shows the PLL block structure.

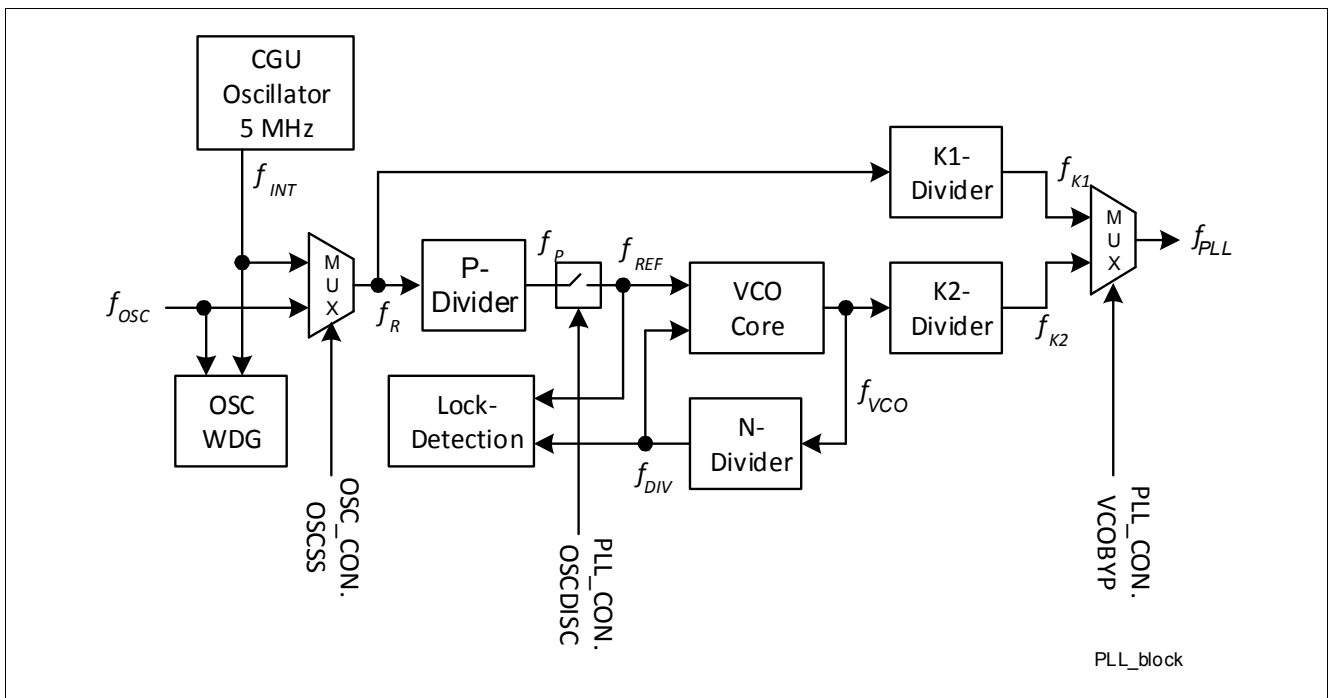


Figure 19 PLL Block Diagram

The reference frequency f_R can be selected to be taken either from the internal oscillator f_{INT} or from an external clock source f_{OSC} .

The PLL uses up to three dividers to manipulate the reference frequency in a configurable way. Each of the three dividers can be bypassed corresponding to the PLL operating mode (based on f_{PLL}):

- Bypassing P, N and K2 dividers; this defines the Prescaler Mode
- Bypassing K1 divider; this defines the Normal Mode
- Bypassing K1 divider and ignoring the P divider; this defines the Freerunning Mode

Table 16 shows the selectable clock source options.

Table 16 Clock Option Selection

VCOBYP	OSCDISC	Mode Selected
0	0	Normal Mode

Table 16 Clock Option Selection (cont'd)

VCOBYP	OSCDISC	Mode Selected
1	x	Prescaler Mode
0	1	Freerunning Mode

Normal Mode

In Normal Mode the reference frequency f_R is divided down by a factor P, multiplied by a factor N and then divided down by a factor K2.

The output frequency is given by:

$$f_{PLL} = \frac{N}{P \cdot K2} \cdot f_R \tag{1}$$

The Normal Mode is selected by the following settings

- PLL_CON.VCOBYP = 0
- PLL_CON.OSCDISC = 0

The Normal Mode is active when

- PLL_CON.VCOBYP = 0
- PLL_CON.OSCDISC = 0
- PLL_CON.LOCK = 1

If f_{PLL} is selected as the clock source for system frequency f_{SYS} , the user should enable PLL in normal mode as default.

Note: The result of f_R times N-factor must be within the VCO Range, the VCO Range selection has to be adjusted accordingly.

Prescaler Mode (VCO Bypass Mode)

In Prescaler Mode the reference frequency f_R is only divided down by a factor K1.

The output frequency is given by

$$f_{PLL} = \frac{f_R}{K1} \tag{2}$$

The Prescaler Mode is selected by the following settings

- PLL_CON.VCOBYP = 1
- PLL_CON.OSCDISC = X

The Prescaler Mode is active when

- PLL_CON.VCOBYP = 1
- PLL_CON.OSCDISC = X
- OSC_CON.OSC2L = 0 if f_{OSC} is provided as f_R (OSC_CON.OSCSS = 01_B)

Freerunning Mode

In Freerunning Mode the base frequency output of the Voltage Controlled Oscillator (VCO) $f_{VCObase}$ is only divided down by a factor K2.

The output frequency is given by

$$f_{PLL} = \frac{f_{VCObase}}{K2} \tag{3}$$

The Freerunning Mode is enabled by the following settings/conditions

- PLL_CON.VCOBYP = 0 and PLL_CON.LOCK = 0

or

- PLL_CON.VCOBYP = 1 and OSC_CON.OSCSS = 1 and OSC_CON.OSC2L = 1

or

- PLL_CON.VCOBYP = 0 and PLL_CON.OSCDISC = 1

The Freerunning Mode is active when

- PLL_CON.VCOBYP = 0
- PLL_CON.OSCDISC = 1
- PLL_CON.LOCK = 0

General Configuration Overview

The divider values and all necessary other values can be configured via the PLL configuration registers.

In TLE9868QXB20, the P factor is fixed to 1. [Table 17](#) gives the valid output frequency range for the P divider dependent on f_R frequency range:

Table 17 P-Divider Factor = 1

P	f_P for $f_R =$				
	4 MHz	5 MHz	10 MHz	16 MHz	25 MHz
1	4	5	10	16	not allowed

Note: Of course the whole range in between two f_R columns in the above table is allowed. E.g. for a range $f_R = 10$ to 16, $f_P = 10$ to 16 MHz.

The P-divider output frequency f_P is fed to the Voltage Controlled Oscillator (VCO). The VCO is a part of PLL with a feedback path. A divider in the feedback path (N divider) divides the VCO frequency. The f_{VCO} range is defined by configuration of VCOSEL.

Table 18 VCO Range

VCOSEL	f_{VCOmin}	f_{VCOmax}	$f_{VCObase}^{1)}$	Unit
0	48	112	approx. max. 38	MHz
1	96	160	approx. max. 76	MHz

1) $f_{VCObase}$ is the free running operation frequency of the PLLVCO, when no input reference clock is available.

The following table shows the possible N loop division rates and gives the valid output frequency range for f_{REF} depending on N and the VCO frequency range:

Table 19 N Loop Division Rates

N	f_{DIV} for $f_{VCO} =$					
	48	72	96	112	136	160
8	6.00	9.00	12.00	14.00	not allowed ¹⁾	
9	5.33	8.00	10.66	12.44	15.11	not allowed ¹⁾
10	4.80	7.20	9.60	11.20	13.60	16.00
11	4.36	6.54	8.72	10.18	12.36	14.54
12	4.00	6.00	8.00	9.33	11.33	13.33

Table 19 N Loop Division Rates (cont'd)

N	f_{DIV} for $f_{VCO} =$					
	48	72	96	112	136	160
13	not allowed ¹⁾	5.54	7.38	8.62	10.46	12.31
14 ...17	
18		4.00	5.33	6.22	7.55	8.88
19	not allowed ¹⁾		5.05	5.89	7.16	8.42
20 ...23		
24			4.00	4.66	5.66	6.66
25	not allowed ¹⁾			4.48	5.44	6.40
26 ...27			
28				4.00	4.86	5.71

1) Values in this range are only allowed in Freerunning Mode, but have no impact there.

Note: The whole range in between two f_{VCO} columns in the above table is allowed.

The N-divider output frequency f_{DIV} is then compared with f_{REF} in the phase detector logic, within the VCO logic. The phase detector determines the difference between the two clock signals and accordingly controls the output frequency of the VCO, f_{VCO} .

Note: Due to this operation, the VCO clock of the PLL has a frequency which is a multiple of f_{DIV} . The factor for this is controlled through the value applied to the N-divider in the feedback path. For this reason this factor is often called a multiplier, although it actually controls division.

The output frequency of the VCO, f_{VCO} , is divided by K2 to provide the final desired output frequency f_{PLL} . Table 20 shows the output frequency range depending on the K2 divisor and the VCO frequency range:

Table 20 K2 Divisor Table

K2	f_{PLL} for $f_{VCO} =$						Duty Cycle [%]
	48	72	96	112	136	160	
2	24.0	36.0	48.0	56.0	68.0	80.0	50
3	16.0	24.0	32.0	37.3	45.3	53.3	46 - 54
4	12.0	18.0	24.0	28.0	34.0	40.0	50
5	9.6	14.4	19.2	22.4	27.2	32.0	48.5 - 51.5

Notes

1. The whole range in between two f_{VCO} columns in the above table is allowed.
2. For divider factors that cause duty cycles far off of 50%, not only the cycle time has to be checked, but also the minimum clock pulse width.

For the K1-divider the same table is valid as for the K2-divider. The only difference is that not f_{VCO} is used as reference, f_R is used instead.

Table 21 K1 Divisor Table

K1	f_{PLL} for $f_R =$			Duty Cycle [%]
	5	8	16	
1	5.0	8.0	16.0	40 - 60
2	2.5	4.0	8.0	50

For different source oscillator, the selection of $f_{PLL} = 24$ MHz is shown in [Table 22](#).

Table 22 System Frequency

f_{PLL} Selected	Oscillator	f_{osc}	N	P	K	Actual f_{sys}
24 MHz	On-chip	5 MHz	24	1	5	24 MHz
	External	12 MHz	8	1	4	24 MHz
		8 MHz	12	1	4	24 MHz
		6 MHz	12	1	3	24 MHz

For the TLE9868QXB20, the value of P is fixed to 1. In order to obtain the required f_{PLL} , the values of VCOSEL, N and K can be chosen respectively by the bits VCOSEL, NDIV and KDIV (either K2DIV or K1DIV) for different oscillator input frequency.

7.3.3.3 Oscillator Watchdog

The oscillator watchdog monitors the external incoming clock f_{osc} . Only incoming frequencies that are too low (below 300 kHz) to enable a stable operation of the VCO circuit are detected.

As reference clock the internal oscillator (OSC_PLL) frequency f_{INT} is used and therefore the internal oscillator must be put into operation.

By setting bit OSC_CON.OSCWDTRST the detection can be restarted without a reset of the complete PLL. The detection status output is only valid after some cycles of f_{INT} .

7.3.3.4 PLL VCO Lock Detection

The PLL has a lock detection that supervises the VCO part of the PLL in order to differentiate between stable and instable VCO circuit behavior. The lock detector marks the VCO circuit and therefore the output f_{VCO} of the VCO as instable if the two inputs f_{REF} and f_{DIV} differ too much. Changes in one or both input frequencies below a level are not marked by a loss of lock because the VCO can handle such small changes without any problem for the system. [Table 23](#) shows values below that the lock is not lost for different input values.

Table 23 Loss of VCO Lock Definition

Maximum Allow Changing		
$\frac{df_{DIV}}{dt}$ for $f_{REF} =$ (4)		
4 MHz	10 MHz	16 MHz
≤ 0.6 kHz/ μ s	≤ 3.7 kHz/ μ s	≤ 9.5 kHz/ μ s

7.3.3.5 Internal Oscillator (OSC_PLL)

The PLL internal oscillator is used for two different purposes:

Operating the Oscillator Watchdog

The input frequency for the PLL direct from OSC_HP (XTAL), is supervised using the OSC_PLL as reference frequency. For more information see [Section 7.3.3.3](#).

Providing a Input Clock to the PLL

The OSC_PLL can be used as input clock for all PLL modes. This is controlled and configured via OSC_CON.OSCSS.

OSC_PLL operates at a nominal frequency of 5 MHz.

7.3.3.6 Switching PLL Parameters

The following restriction applies when changing PLL parameters via the PLL_CON register:

- Prescaler Mode (VCO bypass) may be enabled at any time, however, it has to be ensured that the maximum operating frequency of the device (see data sheet) will not be exceeded.
- Before switching NDIV, the Prescaler Mode has to be selected.
- VCOSEL and KDIV may be switched at any time, however, it has to be ensured that the maximum operating frequency of the device will not be exceeded.
- Only one parameter should be switched at one register write operation.
- Before switching the input clock source via OSC_CON.OSCSS, the Prescaler Mode has to be selected. Due to a following potential oscillator watchdog event, the PLL may switch to Freerunning Mode. The procedure to set up the PLL in normal operation follows that as stated in [Section 7.3.3.8](#).
- Before deselecting the Prescaler Mode, the RESLD bit has to be set and then the LOCK flag has to be checked. Only when the LOCK flag is set again, the Prescaler Mode may be deselected.
- Before changing VCOSEL, the Prescaler Mode must be selected.

7.3.3.7 Oscillator Watchdog Event or PLL Loss of Lock Detection

In case of detection of too low frequency of the external clock source f_{OSC} , the OSC-Too-Low flag (OSC_CON.OSC2L) is set. If enabled by NMICON.NMIOWD, a trap request to the CPU is activated correspondingly only in these two cases: 1) When PLL is in Prescaler Mode and OSCSS = 01 selecting f_{OSC} as PLL input clock source and SYSCON0.SYSCLKSEL selects PLL clock output as the system frequency, or 2) When SYSCON0.SYSCLKSEL selects f_{OSC} as the system frequency. With these 2 cases and the OSC2L condition, the OWD NMI flag FNMIOWD in NMISR is set.

Note: Do not restart the oscillator watchdog detection by setting bit OSC_CON.OSCWDTRST while PLL is in Prescaler Mode, as the detection status (OSC_CON.OSC2L) takes some time to be stable.

An oscillator watchdog event normally leads to a following PLL loss-of-lock detection.

If PLL is not the system clock source (SYSCON0.SYSCLKSEL deselects PLL or PLL is in Prescaler Mode) when the loss-of-lock is detected, only the lock flag is reset (PLL_CON.LOCK = 0). No loss-of-lock NMI is generated and no further action is taken. Otherwise if PLL is selected as clock source for system frequency and VCOBYP = 0, the PLL loss-of-lock NMI flag FNMIPLL in NMISR is set. If enabled by NMICON.NMIPLL, an NMI trap request to the CPU is activated. In addition, the lock flag is reset. Note that in the first place, the LOCK flag has to be set first before a loss-of-lock NMI request is generated. This avoids a potential PLL loss-of-lock NMI request after device power-on reset.

On an oscillator watchdog event (when PLL is in Prescaler Mode and external clock (OSC_HP) is selected as PLL clock input) or on PLL loss-of-lock detection (when PLL is in Normal Mode), the PLL will be switched to run in the Freerunning Mode on the VCO base frequency divided by K2, which is enforced by hardware until the Prescaler Mode is (re-)selected.

Due to the above, the PLL shall only run in Prescaler Mode when changing the PLL configuration or switching between PLL operation modes.

7.3.3.8 Oscillator Watchdog Event or Loss of Lock Recovery

In case of oscillator watchdog NMI, user software can first check if the PLL remains locked. If not, the clock system can be reconfigured again by executing the following sequence as the OWD NMI routine:

1. Restart the oscillator watchdog detection by setting bit OSC_CON.OSCWDTRST
2. Wait until OSC_CON.OSC2L is clear
3. When bit OSC_CON.OSC2L is cleared, then
 - a) Select the Prescaler Mode (PLL_CON.VCOBYP = 1)

- b) Set the restart lock detection bit `PLL_CON.RESLD = 1`
 - c) Wait until the PLL VCO part becomes locked (`PLL_CON.LOCK = 1`)
 - d) When the LOCK is set again, the Prescaler Mode can be deselected (`PLL_CON.VCOBYP = 0`) and normal PLL operation is resumed.
4. Clear the OWD NMI flag `FNMIOWD`.

In the general case of PLL loss-of-lock or to re-configure the PLL settings, user software can try to configure the clock system again by executing the following sequence:

1. If input clock source is from XTAL (f_{OSC} from `OSC_HP`), ensure the input frequency is above threshold by checking `OSC_CON.OSC2L`.
2. The Prescaler Mode has to be selected (`PLL_CON.VCOBYP = 1`)
3. If desired, (re-)configure the PLL divider settings.
4. Set the restart lock detection bit `PLL_CON.RESLD = 1`
5. Wait until the PLL VCO part becomes locked (`PLL_CON.LOCK = 1`)
6. When the LOCK is set again, the Prescaler Mode can be deselected (`PLL_CON.VCOBYP = 0`) and normal PLL operation is resumed.
7. Clear the PLL loss-of-lock NMI flag `FNMIPLL`.

7.3.4 Clock Control Unit

The Clock Control Unit (CCU) receives the clock from the PLL f_{PLL} , or the external input clock f_{OSC} , or the low-precision input clock f_{LP_CLK} . The system frequency is derived from one of these clock sources.

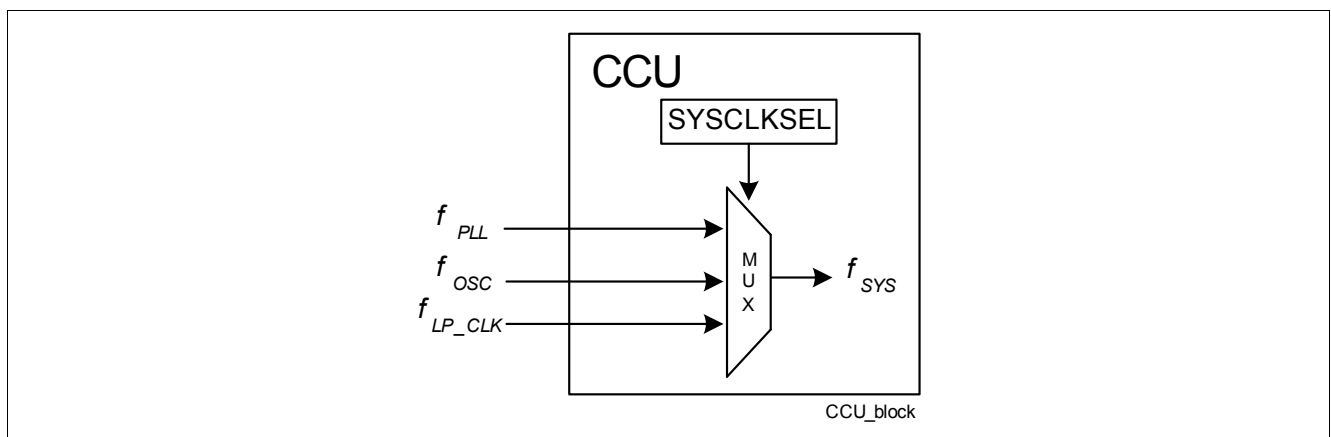


Figure 20 Clock Inputs to Clock Control Unit

The CCU generates all necessary clock signals within the microcontroller from the system clock. It consists of:

- Clock slow down circuitry
- Centralized enable/disable circuit for clock control

In normal running mode, the main module frequencies (synchronous unless otherwise stated) are as follows:

- System frequency, f_{SYS} = up to 20 MHz (measurement interface clock `MI_CLK` is derived from this clock)
- CPU clock (`CCLK`, `SCLK`) = up to 20 MHz (divide-down of NVM access clock)
- NVM access clock (`NVMACCCLK`) = up to 20 MHz
- Peripheral clock (`PCLK`, `PCLK2`, `NVMCLK`) = up to 20 MHz (equals CPU clock; must be same or higher)

Some peripherals are clocked by `PCLK`, others clocked by `PCLK2` and the NVM is clocked by both `NVMCLK` and `NVMACCCLK`. During normal running mode, `PCLK = PCLK2 = NVMCLK = CCLK`. On wake-up from power-down mode, `PCLK2` is restored similarly like `NVMCLK`, whereas `PCLK` is restored only after PLL is locked.

For optimized NVM access (read/write) with reduced wait state(s) and with respect to system requirements on CPU operational frequency, bit field `NVMCLKFAC` is provided for setting the frequency factor between the NVM access clock `NVMACCCLK` and the CPU clock `CCLK`. For details, refer to the separate NVM documentation.

System Control Unit - Digital Modules (SCU-DM)

For the slow down mode, the operating frequency is reduced using the slow down circuitry with clock divider setting at the bit field CLKREL. Bit field CLKREL is only effective when slow down mode is enabled via SFR bit PMCON0.SD bit. Note that the slow down setting of bit field CLKREL correspondingly reduces the NVMACCCLK clock. Slow down setting does not influence the erase and write cycles for the NVM.

7.3.4.1 Clock Tree

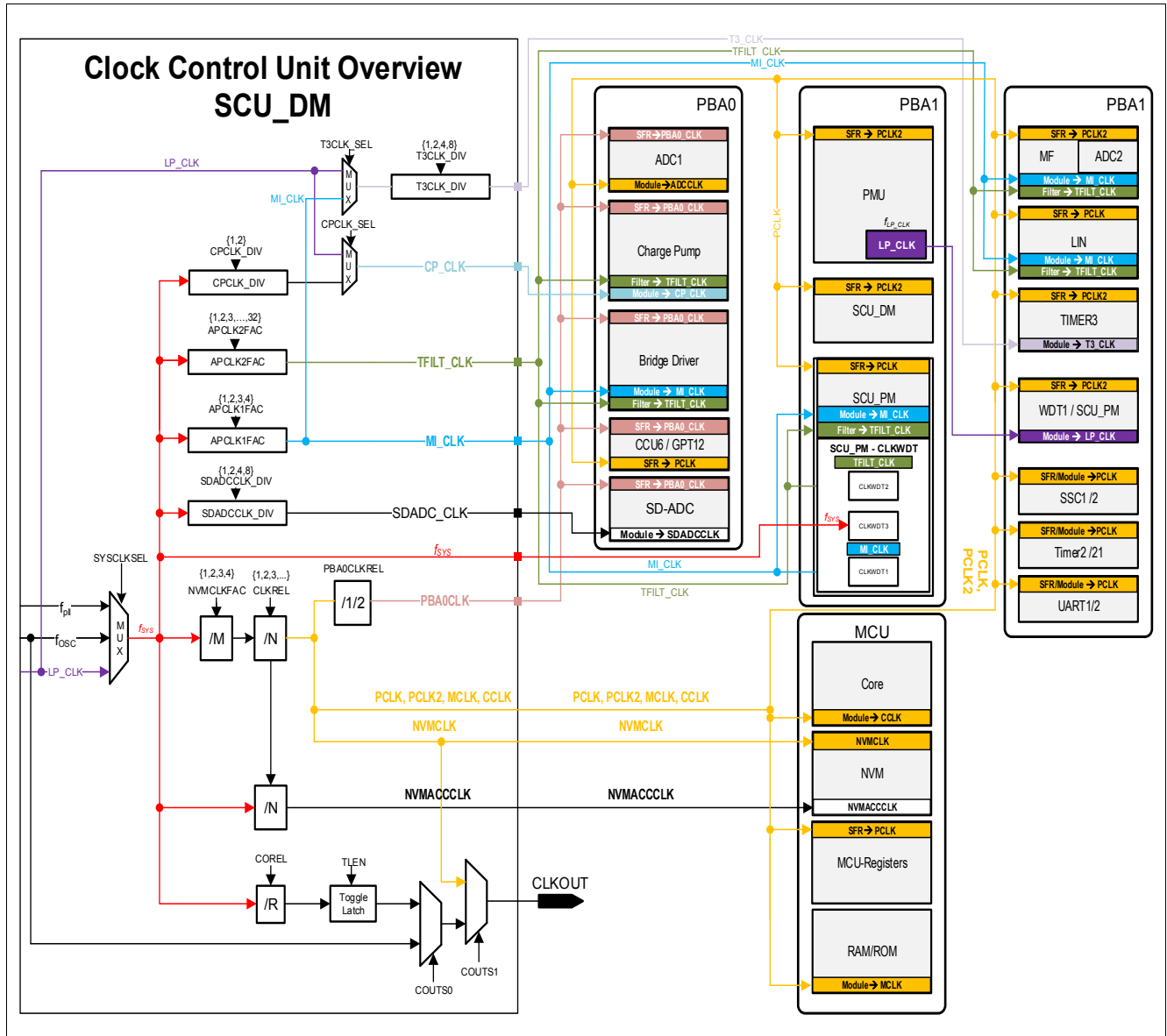


Figure 21 Clock Tree

7.3.4.2 Startup Control for System Clock

Typically when the TLE9868QXB20 starts up after reset, the LP_CLK is selected by hardware to provide the system frequency f_{SYS} . CPU runs based on this system frequency during startup operation by boot firmware (unless otherwise specified and configured by firmware). Meanwhile, the system clock input is switched to the PLL output. With user boot configuration, the PLL is configured with internal oscillator (5 MHz) as input, by default. User code can modify the default PLL configuration as required.

The exception to the above is with resets that do not reset the clock system, which are watchdog timer (WDT) reset and soft reset. With these resets, the previous user configuration of PLL and clock system is retained across the reset.

Note: In the event the PLL fails to lock during startup operation, the LP_CLK continues to provide the system clock input. The system clock input source is indicated by the register bit field SYSCON0.SYSCLKSEL.

7.3.5 External Clock Output

An external clock output is provided as CLKOUT. This output clock can be enabled/disabled via bit COCON.EN. One of three clock sources (f_{CLK} or f_{SYS}/n or f_{OSC}) can be selected for output, configured via bit fields COCON.COOTS1 and COOTS0.

If COOTS1 = 0 (independent on COOTS0), the output clock is f_{CLK} . Otherwise, if COOTS0 = 0, the output clock is from oscillator output frequency; if COOTS0 = 1, the clock output frequency is chosen by the bit field COREL which selects the n divider factor on f_{SYS} . Under this selection, the clock output frequency can further be divided by 2 using a toggle latch (TLEN = 1), the resulting output frequency has 50% duty cycle.

7.3.6 CGU Registers

The registers of the clock generation unit for PLL and oscillator control are not affected by the watchdog timer (WDT) reset and soft reset. Therefore the system clock configuration and frequency is maintained across these types of reset.

Unless otherwise stated, the reset value as stated for the following registers apply only with Power-On reset, Brown-Out reset, Hard reset, WDT1 reset or Wake-up reset.

7.3.6.1 PLL Oscillator Register

These registers control the setting and trimming of OSC_PLL, the Power Down of XTAL (OSC_HP) and the control and status monitor of oscillator watchdog.

OSC_CON

OSC Control Register

(0B0_H)

Reset Value: 10_H

7	6	5	4	3	2	1	0
OSCTRIM_8	Res	Res	XPD	OSC2L	OSCWDTRST	OSCSSL	
rw	r	r	rw	rh	rwh	rw	

Field	Bits	Type	Description
OSCTRIM_8	7	rw	OSC_PLL Trim Configuration Bit [8] This bit field enables the trimming for the OSC_PLL. User should always set this bit with any write. This bit is a protected bit. When the Protection Scheme is activated, this bit cannot be written directly. For more information on Protection Scheme, see Section 7.12 .
Res	6	r	Reserved This bit field is always read as zero.
Res	5	r	Reserved This bit field is always read as zero.
XPD	4	rw	XTAL (OSC_HP) Power Down Control 0 _B XTAL (OSC_HP) is not powered down. 1 _B XTAL (OSC_HP) is powered down. The XPD bit is a protected bit. When the Protection Scheme is activated, this bit cannot be written directly. For more information on Protection Scheme, see Section 7.12 . <i>Note: When XPD is set, switch of clock source to internal oscillator has to be done asynchronous.</i>
OSC2L	3	rh	OSC-Too-Low Condition Flag The Oscillator Watchdog monitors the f_{OSC} . 0 _B f_{OSC} is above threshold. 1 _B f_{OSC} is below threshold. On OSC-too-low detection (OSC2L: 0 → 1) and VCOBYP = 1 and OSCSSL = 01, PLL switches to freerunning mode. On above condition, and when f_{OSC} is selected as the system clock source, hardware switches the system clock source to PLL (SYSCON0.SYSCLKSEL is also updated). <i>Note: OWD NMI request is activated on OSC-too-low condition only in two cases: 1) when VCOBYP = 1 and OSCSSL = 01 and SYSCLKSEL selects PLL clock as system clock source; 2) when SYSCLKSEL selects f_{OSC} as system clock source.</i>

System Control Unit - Digital Modules (SCU-DM)

Field	Bits	Type	Description
OSCWDTRST	2	rwh	<p>Oscillator Watchdog Reset</p> <p>Setting this bit will reset the OSC2L status flag to 1 and restart the oscillator detection. This bit will be automatically reset to 0 and thus always be read back as 0.</p> <p>0_B No effect. 1_B Reset OSC2L flag and restart the oscillator watchdog of the PLL.</p>
OSCSS	1:0	rw	<p>Oscillator Source Select</p> <p>00_B PLL internal oscillator OSC_PLL (f_{INT}) is selected synchronously as f_R. 01_B XTAL (f_{OSC} from OSC_HP) is selected synchronously as f_R. 10_B PLL internal oscillator OSC_PLL (f_{INT}) is selected asynchronously as f_R. 11_B PLL internal oscillator OSC_PLL (f_{INT}) is selected asynchronously as f_R.</p> <p>The OSCSS bit is a protected bit. When the Protection Scheme is activated, this bit cannot be written directly. For more information on Protection Scheme, see Section 7.12.</p> <p><i>Note: Synchronous switching of clock source to internal oscillator is not possible when XPD = 1 or no external clock is available (check bit OSC2L).</i></p> <p><i>Note: Use the 1X option only when the external clock is not available.</i></p>

This register OSC_CON is reset by RESET_TYPE_4.

7.3.6.2 PLL Registers

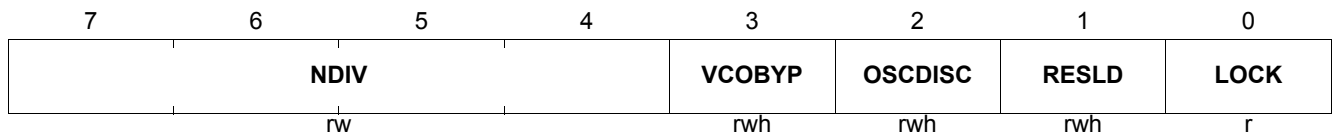
These registers control the PLL configuration or settings.

PLL_CON

PLL Control Register

(044_H)

Reset Value: 64_H



Field	Bits	Type	Description
NDIV	7:4	rw	<p>PLL N-Divider</p> <p>0000_B N = 8 0001_B N = 9 0010_B N = 10 0011_B N = 12 0100_B N = 14 0101_B N = 15 0110_B N = 16 0111_B N = 18 1000_B N = 20 1001_B N = 21 1010_B N = 22 1011_B N = 24 1100_B N = 25 1101_B N = 26 1110_B N = 27 1111_B N = 28</p> <p>The NDIV bit is a protected bit. When the Protection Scheme is activated, this bit cannot be written directly. For more information on Protection Scheme, see Section 7.12.</p>
VCOBYP	3	rwh	<p>PLL VCO Bypass Mode Select</p> <p>0_B Normal (or freerunning) operation (default) 1_B Prescaler Mode; VCO is bypassed (PLL output clock is derived from input clock divided by K1-divider)</p> <p>This bit is cleared by hardware when PLL switches to freerunning mode. When the bit value changes from 0 to 1, bit OSCDISC = 0.</p>
OSCDISC	2	rwh	<p>Oscillator Disconnect</p> <p>0_B Oscillator is connected to the PLL 1_B Oscillator is disconnected to the PLL.</p> <p>By default after power-on reset, PLL is running in Freerunning Mode (oscillator is disconnected).</p>
RESLD	1	rwh	<p>Restart Lock Detection</p> <p>Setting this bit will reset the PLL lock status flag and restart the lock detection. This bit will be automatically reset to 0 and thus always be read back as 0.</p> <p>0_B No effect. 1_B Reset lock flag and restart lock detection.</p>

System Control Unit - Digital Modules (SCU-DM)

Field	Bits	Type	Description
LOCK	0	r	<p>PLL Lock Status Flag</p> <p>0_B The frequency difference of f_{REF} and f_{DIV} is greater than allowed. The VCO part of the PLL can not lock on a target frequency.</p> <p>1_B The frequency difference of f_{REF} and f_{DIV} is small enough to enable a stable VCO operation.</p> <p>Notes</p> <ol style="list-style-type: none"> 1. In case of a loss of VCO lock the f_{VCO} goes to the upper boundary of the selected VCO band if the reference clock input is greater as expected. 2. In case of a loss of VCO lock the f_{VCO} goes to the lower boundary of the selected VCO band if the reference clock input is lower as expected. 3. On loss-of-lock detection (LOCK: 1 → 0) and when VCOBYP = 0, PLL switches to freerunning mode. 4. Loss-of-lock NMI request is activated only on loss-of-lock detection when VCOBYP = 0 and SYSCON0.SYSCLKSEL selects PLL clock as system frequency.

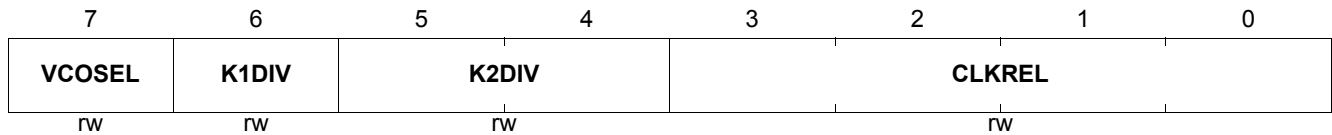
The register PLL_CON is reset by RESET_TYPE_4.

CMCON1

Clock Control Register 1

(048_H)

Reset Value: 00_H



Field	Bits	Type	Description
VCOSEL	7	rw	VCOSEL Setting 0 _B VCOSEL = 0 1 _B VCOSEL = 1
K1DIV	6	rw	PLL K1-Divider 0 _B K1 = 2 1 _B K1 = 1 The K1DIV bit is a protected bit. When the Protection Scheme is activated, this bit cannot be written directly. For more information on Protection Scheme, see Section 7.12 .
K2DIV	5:4	rw	PLL K2-Divider 00 _B K2 = 2 01 _B K2 = 3 10 _B K2 = 4 11 _B K2 = 5 The K2DIV bit is a protected bit. When the Protection Scheme is activated, this bit cannot be written directly. For more information on Protection Scheme, see Section 7.12 . <i>Note: Depending on VCOSEL, the user has to set the K2-divider factor large enough to ensure the PLL output frequency in freerunning mode is never higher than that specified for the device.</i>

System Control Unit - Digital Modules (SCU-DM)

Field	Bits	Type	Description
CLKREL	3:0	rw	<p>Slow Down Clock Divider for f_{CLK} Generation</p> <p>0000_B f_{sys}</p> <p>0001_B $f_{\text{sys}}/2$</p> <p>0010_B $f_{\text{sys}}/3$</p> <p>0011_B $f_{\text{sys}}/4$</p> <p>0100_B $f_{\text{sys}}/8$</p> <p>0101_B $f_{\text{sys}}/16$</p> <p>0110_B $f_{\text{sys}}/24$</p> <p>0111_B $f_{\text{sys}}/32$</p> <p>1000_B $f_{\text{sys}}/48$</p> <p>1001_B $f_{\text{sys}}/64$</p> <p>1010_B $f_{\text{sys}}/96$</p> <p>1011_B $f_{\text{sys}}/128$</p> <p>1100_B $f_{\text{sys}}/192$</p> <p>1101_B $f_{\text{sys}}/256$</p> <p>1110_B $f_{\text{sys}}/384$</p> <p>1111_B $f_{\text{sys}}/512$</p> <p>This setting is effective only when the device is enabled in Slow Down Mode.</p> <p><i>Note:</i> f_{SYS} is further divided by the NVMCLKFAC factor to generate f_{CLK}.</p>

The register CMCON1 is reset by RESET_TYPE_4.

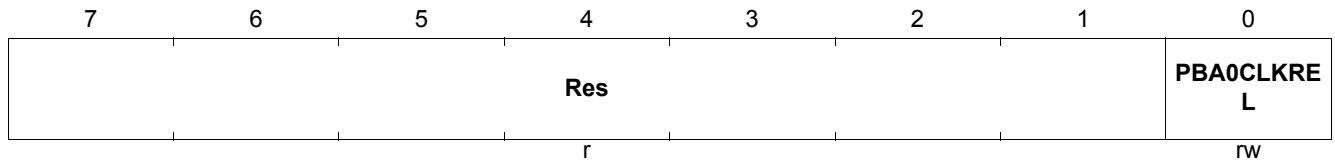
System Control Unit - Digital Modules (SCU-DM)

CMCON2

Clock Control Register 2

(04C_H)

Reset Value: 00_H



Field	Bits	Type	Description
Res	7:1	r	Reserved This bit field is always read as zero.
PBA0CLKREL	0	rw	PBA0 Clock Divider This Flag configures the PBA0 clock divider. 0 _B divide by 1 1 _B divide by 2 The PBA0CLKREL bit is a protected bit. When the Protection Scheme is activated, this bit cannot be written directly. For more information on Protection Scheme, see Section 7.12 .

The register CMCON2 is reset by RESET_TYPE_4.

7.3.6.3 System Clock Control Registers

The clock source for the system is selected via register SYSCON0.

SYSCON0

System Control Register 0

(070_H)

Reset Value: C0_H

7	6	5	4	3	2	1	0
SYSCLKSEL		NVMCLKFAC		Res	Res	Res	Res
rw		r		r	r	r	r

Field	Bits	Type	Description
SYSCLKSEL	7:6	rw	<p>System Clock Select</p> <p>This bit field defines the clock source that is used as system clock for the system operation.</p> <p>00_B The PLL clock output signal f_{PLL} is used</p> <p>01_B The direct clock input from f_{OSC} is used</p> <p>10_B The direct low-precision clock input from f_{LP_CLK} is used.</p> <p>11_B The direct low-precision clock input from f_{LP_CLK} is used.</p> <p><i>Note: In normal application, it is expected that the system is running on the PLL clock output.</i></p>
NVMCLKFAC	5:4	r	<p>NVM Access Clock Factor</p> <p>This bit field defines the factor by which the system clock is divided down, with respect to the synchronous NVMACCCCLK clock.</p> <p>00_B Divide by 1</p> <p>01_B Divide by 2</p> <p>10_B Divide by 3</p> <p>11_B Divide by 4</p> <p><i>Note: Can only be changed via dedicated BROM routine.</i></p>
Res	3, 2, 1, 0	r	<p>Reserved</p> <p>Returns 0 if read; should be written with 0.</p>

Table 24 Reset Value of Register SYSCON0

Reset Source	Reset Value
Power-On Reset/Brown-out Reset/WDT1 Reset/Wake-up Reset/Hardware Reset	C0 _H
Watchdog Timer Reset/Soft Reset	U0 _H (U = unchanged)

This register SYSCON0 is reset by RESET_TYPE_4.

7.3.6.4 Analog Peripherals Clock Control Registers

The clock frequency for the analog modules is selected via register APCLK1 and APCLK2. The APCLK1 is used as operating clock for all analog peripherals. For this reason it is important to always adapt the Analog Peripherals Clock Control Register settings to the required frequency range, if the system clock is changed.

APCLK_CTRL1

Analog Peripheral Clock Control 1 Register

(054_H)

Reset Value: 30_H

7	6	5	4	3	2	1	0
CPCLK_DIV	CPCLK_SEL	BGCLK_DIV	BGCLK_SEL	CLKWDT_IE	T3CLK_SEL	APCLK_SET	PLL_LOCK
rw	rw	rw	rw	rw	rw	rwh1	r

Field	Bits	Type	Description
CPCLK_DIV	7	rw	Charge Pump Clock Divider This Flag configures the charge pump clock divider. 0 _B divide by 2 1 _B divide by 1 The CPCLK_DIV bit is a PASSWD protected bit.
CPCLK_SEL	6	rw	Charge Pump Clock Selection This Flag selects the charge pump clock. 0 _B LP_CLK is selected 1 _B f _{sys} is selected The CPCLK_SEL bit is a PASSWD protected bit. Note: If SYSCLKSEL[1] = '1' the default CPCLK_SEL = "0" (LP_CLK) is taken
BGCLK_DIV	5	rw	Bandgap Clock Divider This Flag configures the bandgap clock divider. 0 _B divide by 2 1 _B divide by 1 The BGCLK_DIV bit is a PASSWD protected bit.
BGCLK_SEL	4	rw	Bandgap Clock Selection This Flag selects the bandgap clock. 0 _B LP_CLK is selected 1 _B f _{sys} is selected The BGCLK_SEL bit is a PASSWD protected bit. Note: If SYSCLKSEL[1] = '1' the default BGCLK_SEL = "0" (LP_CLK) is taken
CLKWDT_IE	3	rw	Clock Watchdog Interrupt Enable 0 _B Interrupt disabled 1 _B Interrupt enabled The CLKWDT_IE bit is a PASSWD protected bit.
T3CLK_SEL	2	rw	Timer 3 Clock Selection This Flag selects the Timer 3 clock. 0 _B LP_CLK is selected 1 _B MI_CLK is selected The T3CLK_SEL bit is a PASSWD protected bit.

System Control Unit - Digital Modules (SCU-DM)

Field	Bits	Type	Description
APCLK_SET	1	rwh1	<p>Set and Overtake Flag for Clock Settings</p> <p>This Flag makes the APCLK1, APCLK2, T3CLK_DIV and SDADCLK_DIV Settings valid.</p> <p>0_B Clock Settings are ignored (previous values are hold)</p> <p>1_B Clock Settings are overtaken</p> <p>Note: APCLK_SET is cleared by hardware once the clock setting are overtaken</p>
PLL_LOCK	0	r	<p>PLL Lock Indicator</p> <p>0_B locked</p> <p>1_B not locked</p>

Table 25 Reset Value of Register APCLK_CTRL1

Reset Source (RESET_TYPE_4)	Reset Value
Power-On Reset/Brown-out Reset/WDT1 Reset/Wake-up Reset/Hardware Reset	50 _H
Watchdog Timer Reset/Soft Reset	UU _H (U = unchanged)

This register APCLK_CTRL1 is reset by RESET_TYPE_4.

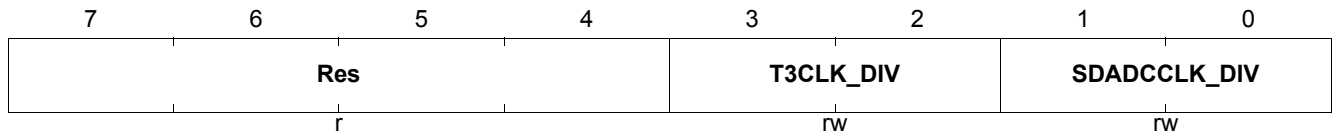
The clock source for the analog modules is selected via register APCLK1 and APCLK2.

System Control Unit - Digital Modules (SCU-DM)

APCLK_CTRL2

Analog Peripheral Clock Control 2 Register (06C_H)

Reset Value: 01_H



Field	Bits	Type	Description
Res	7:4	r	Reserved Returns 0 if read; should be written with 0.
T3CLK_DIV	3:2	rw	Timer 3 Clock Divider This Flag configures the Timer 3 clock divider. 00 _B divide by 1 01 _B divide by 2 10 _B divide by 4 11 _B divide by 8 The T3CLK_DIV bit is a PASSWD protected bit.
SDADCCLK_DIV	1:0	rw	SD-ADC Clock Divider This Flag configures the SD-ADC clock divider. 00 _B divide by 1 01 _B divide by 2 10 _B divide by 4 11 _B divide by 8 The SDADCCLK_DIV is not a protected bit

Table 26 Reset Value of Register APCLK_CTRL2

Reset Source (RESET_TYPE_4)	Reset Value
Power-On Reset/Brown-out Reset/WDT1 Reset/Wake-up Reset/Hardware Reset	01 _H
Watchdog Timer Reset/Soft Reset	UU _H (U = unchanged)

This register APCLK_CTRL2 is reset by RESET_TYPE_4.

The clock source for the analog modules is selected via register APCLK1 and APCLK2.

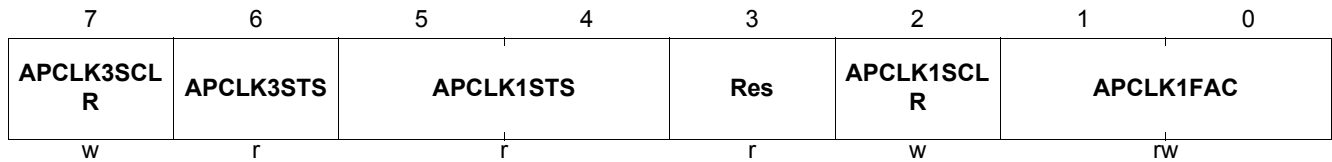
System Control Unit - Digital Modules (SCU-DM)

APCLK1

Analog Peripheral Clock Register 1

(058_H)

Reset Value: 00_H



Field	Bits	Type	Description
APCLK3SCLR	7	w	Analog Peripherals Clock Status Clear This bit field is used for APCLK3 Status Clear.
APCLK3STS	6	r	fSYS Loss of Clock Status This bit field indicate the loss of fSYS clock status. 0 _B No loss of fSYS clock 1 _B Loss of fSYS clock occurred
APCLK1STS	5:4	r	Analog Peripherals Clock Status This bit field reflects the analog peripheral clock source status that is used as system clock for the analog module operation. 00 _B The MI_CLK clock is in the required range 01 _B The MI_CLK clock exceeds the higher limit 10 _B The MI_CLK clock exceeds the lower limit 11 _B The MI_CLK clock is not inside the specified limit. The implemented clock watchdog (see Chapter 8) is monitoring the frequency of the analog subsystem. If the clock is not inside the required range, a system reset will be issued. <i>Note: The functionality of the analog modules can only be guaranteed, if their clock is in the required range.</i>
Res	3	r	Reserved Always read as zero.
APCLK1SCLR	2	w	Analog Peripherals Clock Status Clear This bit field is used for APCLK1 Status Clear.
APCLK1FAC	1:0	rw	Analog Module Clock Factor This bit field defines the factor by which the system clock is divided down, with respect to the synchronous MI_CLK clock. 00 _B Divide by 1 01 _B Divide by 2 10 _B Divide by 3 11 _B Divide by 4 The APCLKFAC bit is not a protected bit. This setting is only effective when APCLK_SET = 1. <i>Note: If SYSCLKSEL[1] = '1' (LP_CLK) the default APCLK1FAC = "00" is taken (divide by 1)</i>

Table 27 Reset Value of Register APCLK1

Reset Source (RESET_TYPE_4)	Reset Value
Power-On Reset/Brown-out Reset/WDT1 Reset/Wake-up Reset/Hardware Reset	00 _H
Watchdog Timer Reset/Soft Reset	UU _H (U = unchanged)

This register APCLK1 is reset by RESET_TYPE_4.

The clock source for the analog modules is selected via register APCLK1 and APCLK2.

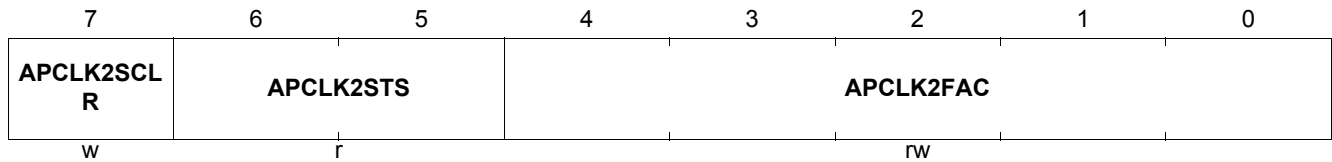
System Control Unit - Digital Modules (SCU-DM)

APCLK2

Analog Peripheral Clock Register 2

(05C_H)

Reset Value: 08_H



Field	Bits	Type	Description
APCLK2SCLR	7	w	Analog Peripherals Clock Status Clear This bit field is used for APCLK2 Status Clear.
APCLK2STS	6:5	r	Analog Peripherals Clock Status This bit field reflects the analog peripheral clock source status that is used as system clock for the analog module operation. 00 _B The TFILT_CLK clock is in the required range 01 _B The TFILT_CLK clock exceeds the higher limit 10 _B The TFILT_CLK clock exceeds the lower limit 11 _B The TFILT_CLK clock is not inside the specified limit. The implemented clock watchdog (see Chapter SCU_PM) is monitoring the frequency of the analog subsystem. If the clock is not inside the required range, a system reset will be issued. <i>Note: The functionality of the analog modules can only be guaranteed, if their clock is in the required range.</i>

System Control Unit - Digital Modules (SCU-DM)

Field	Bits	Type	Description
APCLK2FAC	4:0	rw	<p>Slow Down Clock Divider for TFILT_CLK Generation</p> <p>00000_B f_{sys} 00001_B $f_{sys}/2$ 00010_B $f_{sys}/3$ 00011_B $f_{sys}/4$ 00100_B $f_{sys}/5$ 00101_B $f_{sys}/6$ 00110_B $f_{sys}/7$ 00111_B $f_{sys}/8$ 01000_B $f_{sys}/9$ 01001_B $f_{sys}/10$ 01010_B $f_{sys}/11$ 01011_B $f_{sys}/12$ 11110_B $f_{sys}/31$ 11111_B $f_{sys}/32$</p> <p>This setting is effective only when the APCLK_SET = 1.</p> <p>Notes</p> <ol style="list-style-type: none"> 1. If SYSCLOCKSEL[1] = '1' (LP_CLK) the default APCLK2FAC = 8 is taken 2. f_{SYS} is further divided by the APCLK2FAC factor to generate TFILT_CLK. The clock should be always at 2 MHz.

Table 28 Suggested Value for APCLK2

Clock Frequency	APCLK2FAC
18 MHz (lp_clk)	08 _H (default)
20 MHz (PII clk)	09 _H

Table 29 Reset Value of Register APCLK2

Reset Source (RESET_TYPE_4)	Reset Value
Power-On Reset/Brown-out Reset/WDT1 Reset/Wake-up Reset/Hardware Reset	0B _H
Watchdog Timer Reset/Soft Reset	UU _H (U = unchanged)

This register APCLK2 is reset by RESET_TYPE_4.

7.3.6.5 External Clock Control Register

This register controls the setting of external clock for CLKOUT.

System Control Unit - Digital Modules (SCU-DM)

COCON

Clock Output Control Register

(0B4_H)

Reset Value: 00_H

7	6	5	4	3	2	1	0
EN	COUTS1	TLEN	COUTS0	COREL			
rw	rw	rw	rw	rw			

Field	Bits	Type	Description
EN	7	rw	CLKOUT Enable 0 _B No external clock signal is provided 1 _B The configured external clock signal is provided
COUTS1	6	rw	Clock Out Source Select Bit 1 0 _B f_{CLK} is selected. 1 _B Based on setting of COUTS0.
TLEN	5	rw	Toggle Latch Enable Enable this bit if 50% duty cycle is desired on CLKOUT. This bit is only applicable when both COUTS1 and COUTS0 are set to 1. 0 _B Toggle Latch is disabled. Clock output frequency is chosen by the bit field COREL. 1 _B Toggle Latch is enabled. Clock output frequency is half of the frequency that is chosen by the bit field COREL. The resulting output frequency has 50% duty cycle.
COUTS0	4	rw	Clock Out Source Select Bit 0 This bit is effective only if COUTS1 is set to 1. 0 _B Oscillator output frequency is selected. 1 _B Clock output frequency is chosen by the bit field COREL.
COREL	3:0	rw	Clock Output Divider 0000 _B f_{sys} 0001 _B $f_{sys}/2$ 0010 _B $f_{sys}/3$ 0011 _B $f_{sys}/4$ 0100 _B $f_{sys}/6$ 0101 _B $f_{sys}/8$ 0110 _B $f_{sys}/10$ 0111 _B $f_{sys}/12$ 1000 _B $f_{sys}/14$ 1001 _B $f_{sys}/16$ 1010 _B $f_{sys}/18$ 1011 _B $f_{sys}/20$ 1100 _B $f_{sys}/24$ 1101 _B $f_{sys}/32$ 1110 _B $f_{sys}/36$ 1111 _B $f_{sys}/40$

This register COCON is reset by RESET_TYPE_4.

7.4 Reset Control

This section describes the types of reset and the effects of each reset on the TLE9868QXB20.

7.4.1 Types of Reset

The following reset types are recognized by the TLE9868QXB20:

- Power-on reset
 - Requested asynchronously and released by supply voltage V_S reaching the upper threshold. Indication is a direct analysis of V_S undervoltage.
- Brown-out reset
 - Is not differentiated by system with power-on reset.
- Wake-up reset
 - Requested asynchronously by wake-up event during power save mode.
- Hardware reset
 - Requested asynchronously by event on external reset input (pin).
- WDT1 reset
 - Activated asynchronously by external WDT1 reset event.
- SCU Watchdog Timer (WDT) reset
 - Requested by WDT reset event.
- Soft reset
 - Requested synchronously by soft reset event.

7.4.2 Overview

When the TLE9868QXB20 is first powered up or with brown-out condition triggered by supply voltage input(s) going below the threshold, proper voltage thresholds must be reached before the MCU system starts operation with the release of the MCU, CPU and NVM resets. With all resets (except soft and SCU watchdog timer resets), the boot configuration is latched. The CPU starts to execute from the Boot ROM firmware with the release of MCU reset.

If the system is in power save mode, it is possible to wake-up with reset. Wake-up reset is basically equivalent to power-on reset except that it is a 'warm' reset and certain settings or configuration of the system are maintained across the reset. A wake-up via hard reset pin while in power save mode is effected as wake-up reset.

The hardware reset function via pin can be used anytime to restart the system.

The external watchdog timer (WDT1) can trigger a WDT1 reset on the system, if the timer is not refreshed before it overflows.

Likewise, the SCU watchdog timer (WDT) can trigger a watchdog timer reset on the system if the timer is not refreshed before it overflows.

Soft reset can be triggered by application software where applicable.

Note that the boot configuration is only latched with the power-on, brown-out, WDT1, wake-up and hardware resets.

7.4.3 Module Reset Behavior

Table 30 gives an overview on how the various modules or functions of the TLE9868QXB20 are affected with respect to the reset type. A "n" means that the module/function is reset to its default state. Refer to **Table 32** for effective reset as priority.

Table 30 Effect of Reset on Modules/Functions

Module/ Function	Power-On/ Brown-Out Reset	Wake-up Reset ¹⁾	Hardware Reset ¹⁾	WDT1 Reset ¹⁾	WDT Reset	Soft Reset ²⁾
CPU Core	n	n	n	n	n	n
SCU	n except reset indication bit	n except indication bits	n except reset indication bit	n except reset indication bit	n except certain status bits ³⁾	n except certain status bits ³⁾
Peripherals	n	n	n	n	n	n
Debug System	n	n	n	n	n	n
Port Control	n	n	n	n	n	n
FW Startup Execution	Executes all INIT	Sleep: Executes all INIT	Executes most INIT	Executes most INIT	Skips not required INIT	Skips not required INIT
On-Chip Static RAM	Initialized to 0	Sleep: Initialized to 0;	Not affected ⁴⁾⁵⁾	Not affected ⁴⁾⁵⁾	Not affected ⁴⁾	Not affected ⁴⁾
Memory Extension Stack RAM	Affected	Affected	Affected	Affected	Affected	Affected
NVM	n	n	n	n	n except MapRAM	n except MapRAM
Clock System incl. PLL	n	n	n	n	Not affected ⁶⁾	Not affected ⁶⁾

- 1) MCU sub-system: Hardware reset, WDT1 reset and wake-up reset (from Sleep Mode) are generally HW-equivalent to power-on/brown-out reset, any exceptions are mainly due to power-on reset being a 'cold' start.
- 2) Soft Reset can be set by CPU_AIRCR.[SYSRESETREQ](#)
- 3) These bits include the reset requestor indication bit, the last power-on/brown-out/WDT1/wake-up reset latched boot configuration, and NMI status flags e.g. NMISR.
- 4) Not affected = Reset has no direct effect on RAM contents.
- 5) If the reset happens during a write to SRAM, the byte in the targeted write address may be corrupted.
- 6) All configuration including trim settings.

7.4.4 Functional Description of Reset Types

This section describes the definition and controls depending on the reset source.

7.4.4.1 Power-On / Brown-out Reset

Power-on reset is the highest level reset whereby the whole system is powered up and reset. Brown-out reset occurs when any required voltage drops below its minimum threshold.

In user mode, the system clock is switched to the PLL output at the defined frequency of the device.

7.4.4.2 Wake-up Reset

Wake-up reset occurs due to enabled event on defined functional input pins leading to reset of device while the device was in power-save mode. In case of wake-up from Sleep Mode, reset is always effected.

Wake-up reset has the next highest priority after power-on/brown-out reset.

In user mode, the system clock is switched to the PLL output at the defined frequency of the device.

7.4.4.3 Hardware Reset

Hardware reset is requested asynchronously by event on external RESET (low active) input pin, and has the next highest priority after wake-up reset.

In case of hardware reset is activated while the device is in power-save mode, this is effectively a wake-up reset. Refer [Figure 14](#).

In user mode, the system clock is switched to the PLL output at the defined frequency of the device.

For details of programming the filter time of the external RESET (low active) input pin see the corresponding reset pin blind time register, [CNF_RST_TFB](#).

7.4.4.4 WDT1 Reset

WDT1 reset occurs due to WDT1 timer overflow or when servicing in a closed window, and has the next highest priority after hardware reset.

In user mode, the system clock is switched to the PLL output at the defined frequency of the device.

7.4.4.5 WDT / Soft Reset

WDT reset occurs due to WDT timer overflow; Soft reset occurs due to software set of the soft reset request bit.

These two resets are at the same priority level (same effect on system) and has the lowest priority level. With these resets, the device continues running on the previous clock system configuration.

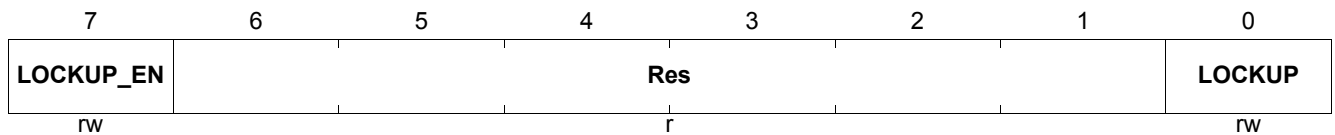
7.4.5 Reset Register Description

RSTCON

Reset Control Register

(068_H)

Reset Value: 00_H



Field	Bits	Type	Description
LOCKUP_EN	7	rw	Lockup Reset Enable Flag 0 _B Lockup is disabled. 1 _B Lockup is enabled. The LOCKUP_EN bit is a protected bit. When the Protection Scheme is activated, this bit cannot be written directly. For more information on Protection Scheme, see Section 7.12 .
Res	6:1	r	Reserved Returns 0 if read; should be written with 0.
LOCKUP	0	rw	Lockup Flag 0 _B Lockup Status not active. 1 _B Lockup Status active. The LOCKUP bit is a protected bit. When the Protection Scheme is activated, this bit cannot be written directly. For more information on Protection Scheme, see Section 7.12 .

This register RSTCON is reset by RESET_TYPE_3.

Note: The Lockup reset is a reset provided by the ARM Core. The effect of the Lockup reset is the same as for a software reset.

The registers PMU_RESET_STSx are located in PMU mapped to SFR space, see [PMU_RESET_STS1](#) and [PMU_RESET_STS2](#). The register should retain its value across all resets until power is not available. In case of power-on reset, only PMU_1V5DidPOR bit is set.

Table 31 Reset Value of Register PMU_RESET_STSx (XSFR)

Reset Source	Reset Value
Power-down Wake-up via Hardware Reset	0100 0010 _B
Sleep Wake-up Reset	0000 0100 _B
Soft Reset	0000 1000 _B
WDT Reset	0001 0000 _B
WDT1 Reset	0010 0000 _B
Hardware Reset	0100 0000 _B
Power-On Reset/Brown-out Reset	1000 0000 _B

Possible Combination of Reset Sources

Table 32 lists all possible combinations of reset status bits being set in the TLE9868QXB20. A “x” means that the corresponding reset has occurred.

Table 32 Effective Reset with Combination of Reset Sources

Effective Reset	POBORST	WKRS		HDRST	WDT1RST	WDTRST	SWRST
		WKSL	WKST				
Power-on	x	x	x	x	x	x	x
Wake-up from sleep	–	x	–	x	x	x	–
Hardware	–	–	–	x	x	x	x
WDT1	–	–	–	–	x	x	x
WDT	–	–	–	–	–	x	–
Software	–	–	–	–	–	–	x
WDT & Software	–	–	–	–	–	x	x

7.4.6 Booting Scheme

After any power-on reset, brown-out reset, hardware reset, WDT1 reset or wake-up reset, the pins TMS, P0.0, P0.2 together choose different modes. **Table 33** shows the boot selection options available in the TLE9868QXB20.

Table 33 TLE9868QXB20 Boot Options

TMS/SWD	P0.0	P0.2	MODE
0	x	x	User Mode / BSL Mode
1	1	0	Debug Mode with Serial Wire (SW) port

7.5 Power Management

This section describes the features and functionality provided for power management of the device.

7.5.1 Overview

The TLE9868QXB20 power-management system allows software to configure the various processing units so that they automatically adjust to draw the minimum necessary power for the application.

There are four power modes: Active Mode, Slow Down Mode and Sleep Mode, as shown in **Figure 22**. Sleep Mode is a special case which can only be exited with a system reset.

The operation of the system components in each of these states can be configured by software. The power modes provide flexible reduction of power consumption through a combination of techniques, including:

- Stopping the CPU clock
- Stopping the clocks of other system components individually
- Clock-speed reduction of some peripheral components
- Power-down of the entire system with fast restart capability
- Reducing or removing the power supply to power domains

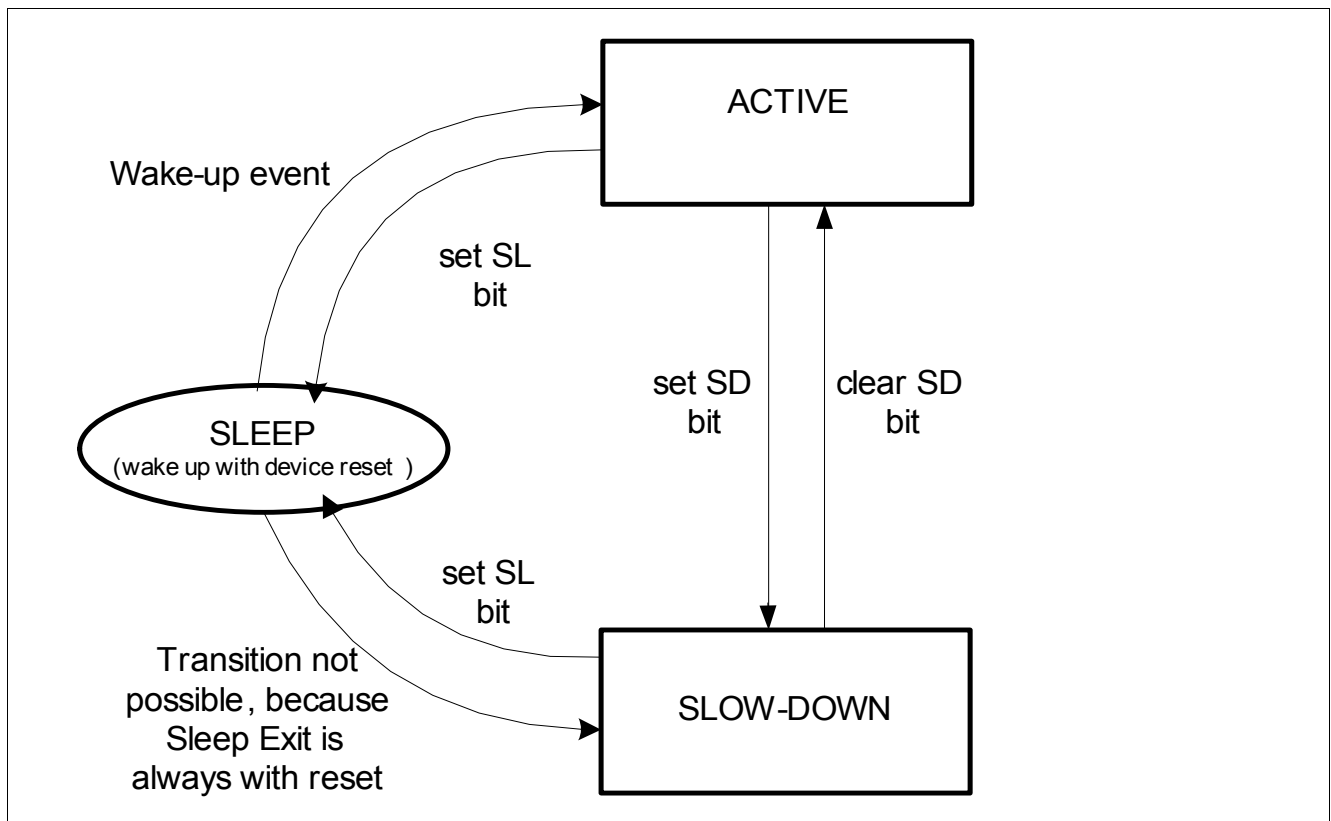


Figure 22 Transition between Various Modes of Operation (without reset)

In Slow Down Mode, the clock generation unit is instructed to reduce its clock frequency so that the clock to the system, i.e. core and peripherals, will be divided by a programmable factor.

In Sleep Mode, the power supply to the whole MCU subsystem is removed. On detection of wake-up event, a system reset is generated, the MCU is reset to default configuration and then restart operation is initialized.

The priority for entry to the power-save modes starting from the highest is Sleep Mode, then Slow Down Mode.

7.5.2 Functional Description

This section describes the power-save modes, their operations, and entry and exit. It also describes the respective behavior of TLE9868QXB20 system components.

7.5.2.1 Slow Down Mode

The Slow Down Mode is used to reduce the power consumption by decreasing the internal clock in the device.

The Slow Down Mode is activated by setting the bit SD in SFR **PMCON0**. The bit field **CMCON1**.CLKREL is used to select different slow down frequencies. The CPU and peripherals are clocked at this lower frequency. The Slow Down Mode is terminated by clearing bit SD.

7.5.2.2 Sleep Mode

In the Sleep Mode, the supply to the whole MCU subsystem including the ADC, PLL and NVM is removed. The wake-up detection circuitry remains supplied. Only contents of non-volatile memory are retained. As for the external ports, only the wake-up pads are still powered. The supply to ADC pads is removed.

Sleep Mode is always exited with a system reset, which is triggered by active edge on the enabled wake-up pin(s). It is not possible to exit Sleep Mode by asserting the hard reset pin as the digital 5 V pads will not be powered.

Software requests Sleep Mode by setting the bit PMCON0.SL to 1.

Exiting Sleep Mode

Sleep Mode can only be exited with a system reset, triggered by active edge on the enabled wake-up pin(s).

7.5.3 Register Description

PMCON0

Power Mode Control Register 0

(040_H)

Reset Value: 00_H

7	6	5	4	3	2	1	0
Res	Res	Res	Res	SD	Res	SL	XTAL_ON
r	r	r	r	rw	r	rwh1	rw

Field	Bits	Type	Description
Res	7:4	r	Reserved Returns 0 if read; should be written with 0.
SD	3	rw	Slow Down Mode Enable. Active High. Setting this bit will cause the chip to go into slow down mode. Reset by user. The SD bit is a protected bit. When the Protection Scheme is activated, this bit cannot be written directly. For more information on Protection Scheme, see Section 7.12 .
Res	2	r	Reserved
SL	1	rwh1	Sleep Mode Enable. Active High. Setting this bit will cause the chip to go into Sleep Mode. Reset by wake-up circuit. The SL bit is a protected bit. When the Protection Scheme is activated, this bit cannot be written directly. For more information on Protection Scheme, see Section 7.12 .
XTAL_ON	0	rw	OSC_HP Operation in Power Down Mode 0 _B OSC_HP (XTAL) will be put to Power Down Mode by hardware in power save mode. 1 _B OSC_HP (XTAL) continues to operate in Power Down Mode, if enabled by OSC_CON.XPD . This provides user the option for reduced power consumption in the Power Down Mode. It must be noted that the startup time of OSC_HP can be in the range of some milliseconds. Alternatively for fast wake-up from Power Down Mode while avoiding this power consumption, the user can selectively enable internal oscillator as clock source and disable OSC_HP before enabling Power Down Mode.

7.6 Interrupt Management

This section describes the management of interrupts by the system control unit.

7.6.1 Overview

The Interrupt Management sub-module in the SCU controls the non-core-generated interrupt requests to the core. The core has one non-maskable interrupt (NMI) node and in total 16 maskable interrupt nodes. [Figure 23](#) shows the block diagram of the Interrupt Management sub-module.

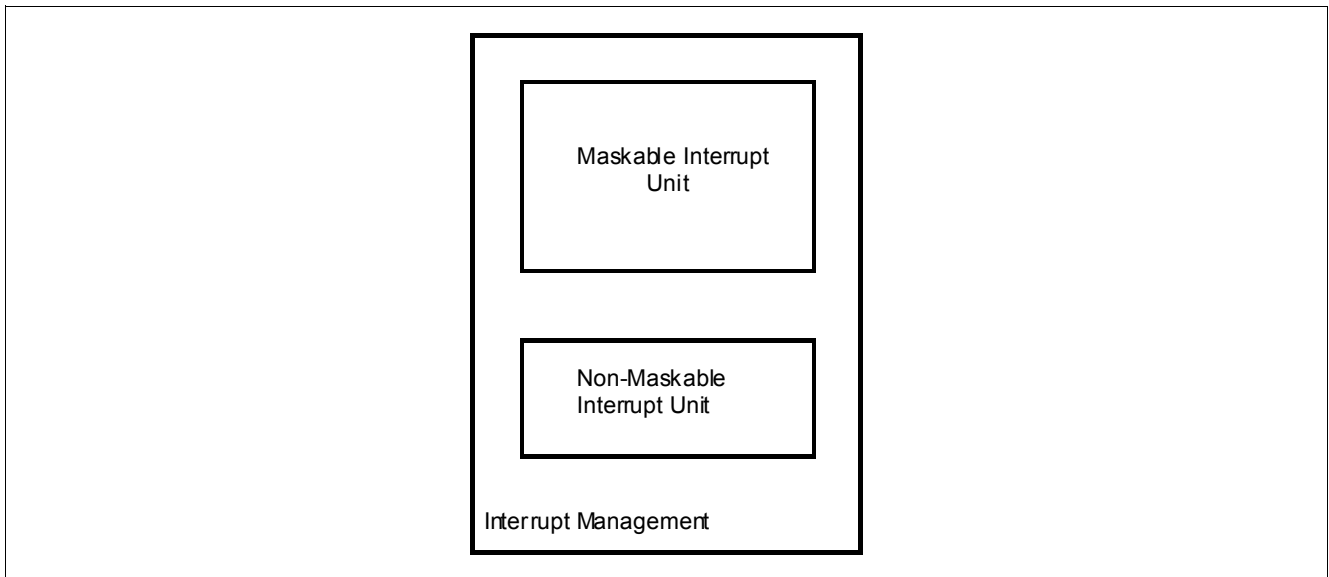


Figure 23 Interrupt Management Block Diagram

The non-maskable interrupt unit controls the NMI requests. An incoming NMI request is not maskable and in this sense, differs from the regular interrupts. In addition, an NMI request always has the highest priority to be serviced. In the TLE9868QXB20, eight different sources can generate an NMI: watchdog timer prewarning, PLL loss-of-lock, oscillator watchdog event, NVM map error, Memory ECC error, NVM operation complete, Debug Mode user IRAM event and supply prewarning. Some NMI sources can be triggered by one of several events. These NMI sources are ORed to generate an NMI interrupt directly to the core. The triggering NMI sources/events are indicated in the NMI Status Register (NMISR), and in some cases the event flags are located in the peripheral register. The NMI node source control can be configured via the NMI Control Register (NMICON).

There are generally 3 types of maskable inputs into the core: internal, external and extended interrupts. The maskable interrupt unit will generate the respective interrupt node request to the core and will maintain corresponding SCU flags and control. In general, to support all types of peripheral interrupts, an interrupt node of the core may be shared among several interrupt sources.

7.6.1.1 External Interrupts

The generation of an interrupt request from an external source by edge detection in the SCU is shown in [Figure 24](#). External interrupts can be positive, negative or double edge triggered. Register EXICON0 specifies the active edge for the external interrupt.

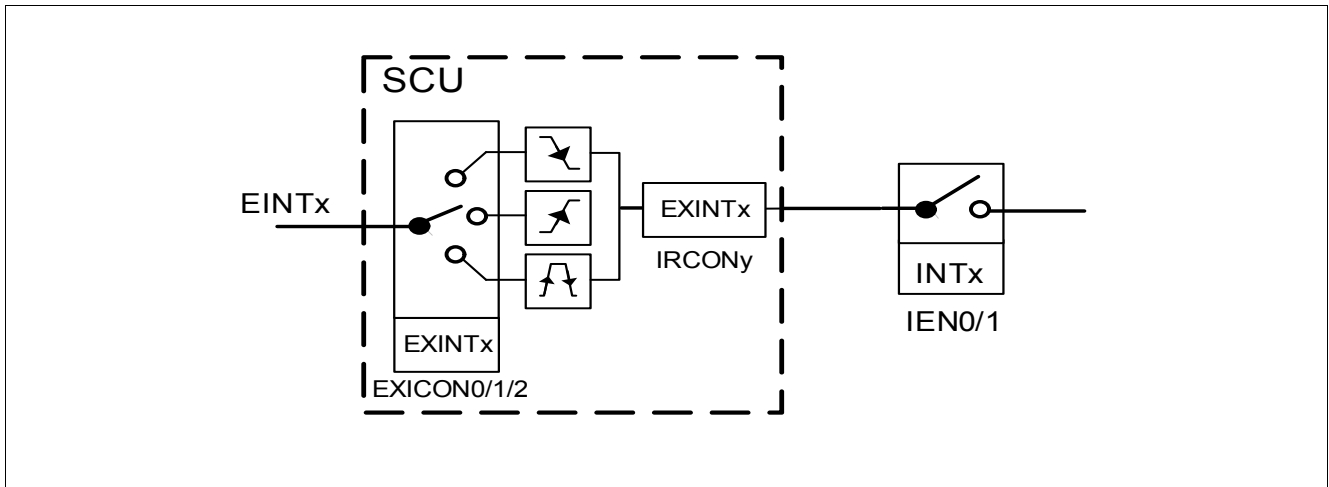


Figure 24 Interrupt Request Generation of External Interrupts

7.6.1.2 Extended Interrupts

Extended interrupts are for non-core on-chip peripherals for core-external trigger of interrupt requests to the core. There are nine such interrupts.

Interrupt signals from such on-chip peripherals are pulse triggered and active for two clock cycles. These interrupt signals belonging to the same interrupt node will be latched as one direct interrupt request to the core. IRCONx (where x = 0-1, 3-4) or peripheral registers hold the interrupt event flags for these extended and external interrupt events. Corresponding bits in the Interrupt Enable Registers (IEN) within the core may block or transfer these interrupt requests to the core interrupt controller. An enabled interrupt request is acknowledged when the core vectors to the interrupt routine. The software routine should clear the interrupt flags in the IRCONx registers.

As there are more peripheral interrupts than interrupt nodes supported by the core, some interrupts are multiplexed to the same interrupt node. Where possible and necessary, critical peripheral interrupts (e.g. SSC) have their own dedicated interrupt node.

7.6.2 Interrupt Node Assignment

Table 34 shows the interrupt node assignment for TLE9868QXB20.

Table 34 NMI

Interrupt Node	Vector Address	Assignment for TLE9868QXB20
NMI	0000 _H	Watchdog Timer, PLL, NVM Operation Complete, CLKWDT, Oscillator Watchdog, NVM map error, ECC error, Pre-Warn SUPP, Pre-Warn TEMP

Table 35 Interrupt Vector Table

Service Request	Node ID	Description
GPT1	0	GPT1 interrupt (T2-T4)
GPT2	1	GPT2 interrupt (T5-T6, CAPIN)
MU- ADC8/T3	2	Measurement Unit, VBG, SD-ADC, Timer3
ADC1	3	ADC1 interrupt / VREF5V Overload / VREF5V OV/UV, 10-bit ADC
CCU0	4	CCU6 node 0 interrupt

Table 35 Interrupt Vector Table

Service Request	Node ID	Description
CCU1	5	CCU6 node 1 interrupt
CCU2	6	CCU6 node 2 interrupt
CCU3	7	CCU6 node 3 interrupt
SSC1	8	SSC1 interrupt (receive, transmit, error)
SSC2	9	SSC2 interrupt (receive, transmit, error)
UART1	10	UART1 (ASC-LIN) interrupt (receive, transmit), Timer2, linsync1, LIN
UART2	11	UART2 interrupt (receive, transmit), Timer21, External interrupt (EINT2)
EXINT0	12	External interrupt (EINT0), MON
EXINT1	13	External interrupt (EINT1)
BDRV/CP	14	Bridge Driver / Charge Pump

7.6.3 Interrupt Related Registers

Several interrupt related registers are located in the SCU.

7.6.3.1 Interrupt Event Enable Control

The two interrupt events of UART and three interrupt events of SSC module are of interrupt structure 1 which is described in [Chapter 12.3.2](#). As there is no enable/disable bit(s) for these interrupt events within the module, bits are defined in the SCU register MODIEN1 and MODIEN2 for this purpose.

MODIEN1

Peripheral Interrupt Enable Register 1

(030_H)

Reset Value: C7_H

7	6	5	4	3	2	1	0
TIEN1	RIEN1	Res	Res	Res	RIREN1	TIREN1	EIREN1
rw	rw	r	r	r	rw	rw	rw

Field	Bits	Type	Description
TIEN1	7	rw	UART 1 Transmit Interrupt Enable 0 _B Transmit interrupt is disabled 1 _B Transmit interrupt is enabled
RIEN1	6	rw	UART 1 Receive Interrupt Enable 0 _B Receive interrupt is disabled 1 _B Receive interrupt is enabled
Res	5:3	r	Reserved Returns 0 if read; should be written with 0.
RIREN1	2	rw	SSC 1 Receive Interrupt Enable 0 _B Receive interrupt is disabled 1 _B Receive interrupt is enabled
TIREN1	1	rw	SSC 1 Transmit Interrupt Enable 0 _B Transmit interrupt is disabled 1 _B Transmit interrupt is enabled
EIREN1	0	rw	SSC 1 Error Interrupt Enable 0 _B Error interrupt is disabled 1 _B Error interrupt is enabled

MODIEN2

Peripheral Interrupt Enable Register 2

(034_H)

Reset Value: C7_H

7	6	5	4	3	2	1	0
TIEN2	RIEN2	EXINT2_EN	Res		RIREN2	TIREN2	EIREN2
rw	rw	rw	r		rw	rw	rw

Field	Bits	Type	Description
TIEN2	7	rw	UART 2 Transmit Interrupt Enable 0 _B Transmit interrupt is disabled 1 _B Transmit interrupt is enabled
RIEN2	6	rw	UART 2 Receive Interrupt Enable 0 _B Receive interrupt is disabled 1 _B Receive interrupt is enabled
EXINT2_EN	5	rw	External Interrupt 2 Enable 0 _B External interrupt is disabled 1 _B External interrupt is enabled
Res	4:3	r	Reserved Returns 0 if read; should be written with 0.
RIREN2	2	rw	SSC 2 Receive Interrupt Enable 0 _B Receive interrupt is disabled 1 _B Receive interrupt is enabled
TIREN2	1	rw	SSC 2 Transmit Interrupt Enable 0 _B Transmit interrupt is disabled 1 _B Transmit interrupt is enabled
EIREN2	0	rw	SSC 2 Error Interrupt Enable 0 _B Error interrupt is disabled 1 _B Error interrupt is enabled

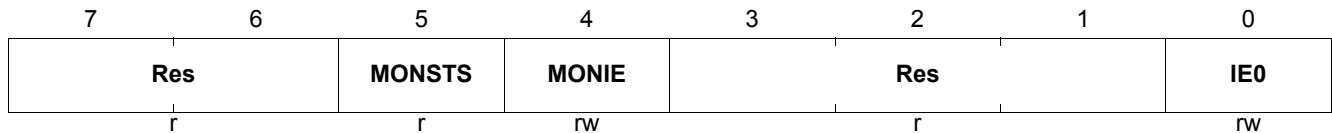
System Control Unit - Digital Modules (SCU-DM)

MODIEN3

Peripheral Interrupt Enable Register 3

(038_H)

Reset Value: 00_H



Field	Bits	Type	Description
Res	7:6	r	Reserved Returns 0 if read; should be written with 0.
MONSTS	5	r	MON Input Status 0 _B Status zero 1 _B Status one
MONIE	4	rw	MON Interrupt Enable 0 _B disabled 1 _B enabled
Res	3:1	r	Reserved Returns 0 if read; should be written with 0.
IE0	0	rw	External Interrupt Enable 0 _B disabled 1 _B enabled

MODIEN4

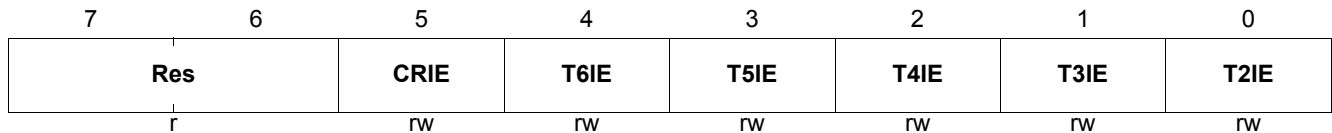
Peripheral Interrupt Enable Register 4

(03C_H)

Reset Value: 00_H



Field	Bits	Type	Description
Res	7:1	r	Reserved Returns 0 if read; should be written with 0.
IE1	0	rw	External Interrupt Enable 0 _B disabled 1 _B enabled

GPT12IEN
GPT12 Interrupt Enable Register
(15C_H)
Reset Value: 3F_H


Field	Bits	Type	Description
Res	7:6	r	Reserved Returns 0 if read; should be written with 0.
CRIE	5	rw	General Purpose Timer 12 Capture and Reload Interrupt Enable 0 _B Interrupt is disabled 1 _B Interrupt is enabled
T6IE	4	rw	General Purpose Timer 12 T6 Interrupt Enable 0 _B Interrupt is disabled 1 _B Interrupt is enabled
T5IE	3	rw	General Purpose Timer 12 T5 Interrupt Enable 0 _B Interrupt is disabled 1 _B Interrupt is enabled
T4IE	2	rw	General Purpose Timer 12 T4 Interrupt Enable 0 _B Interrupt is disabled 1 _B Interrupt is enabled
T3IE	1	rw	General Purpose Timer 12 T3 Interrupt Enable 0 _B Interrupt is disabled 1 _B Interrupt is enabled
T2IE	0	rw	General Purpose Timer 12 T2 Interrupt Enable 0 _B Interrupt is disabled 1 _B Interrupt is enabled

Other Interrupt Related Registers

The following interrupt related registers are located in the SCU:

- NMICON
- NMISR
- IRCON0, IRCON1,IRCON2, IRCON3, IRCON4
- EXICON0
- MODIEN1, MODIEN2

 All registers, except MODIENx, are described in the Interrupt System [Chapter 12.5](#).

7.6.4 NMI Event Flags Handling

Each NMI event and status flag is retained across these resets: 1) WDT reset, 2) soft reset. Specifically, these include all the flags of NMISR register: FNMIWDT, FNMIPLL, FNMINVM, FNMIOCDS, FNMIOWD, FNMIMAP and indirectly, FNMI ECC and FNMI SUP. In the case of watchdog resets, the requestor can be identified via the reset indicator bits WDT1RST and WDTRST. The ECC NMI is indicated by the respective event flags of SFR EDCSTAT.IRDBE, XRDBE and NVMDBE. Likewise, the supply prewarning NMI and MI_CLK WDT NMI is indicated by the respective event flags located in [Chapter 8, SCU_PM](#).

These NMI event and status flags are otherwise reset to default value with all other resets i.e. power-on, brown-out, hardware, WDT1 (except WDT1RST) and wakeup reset.

7.7 General Port Control

The SCU contains control registers for the selection of:

- alternate input functions of UART, Timers and External Interrupts ([Section 7.7.1](#))
- port output driver strength and temperature compensation ([Section 7.7.2](#))

For functional description of GPIO ports, refer to [Chapter 14](#).

7.7.1 Input Pin Function Selection

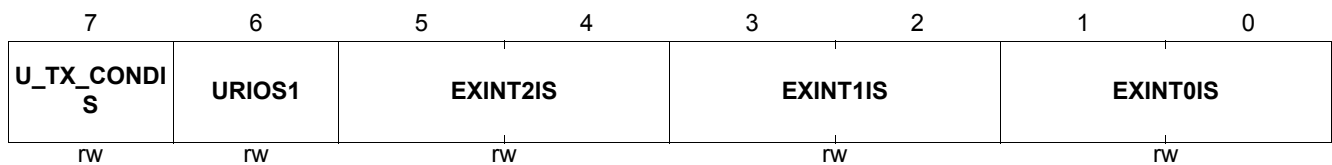
MODPISELx registers control the selection of the input pin functions. For UART, the selection of the RXD line also enables the corresponding TXD line.

MODPISEL

Peripheral Input Select Register

(0B8_H)

Reset Value: 00_H



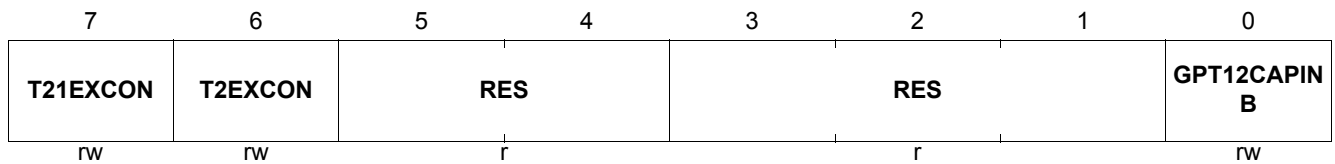
Field	Bits	Type	Description
U_TX_CONDIS	7	rw	UART1 TxD Connection Disable 0 _B UART1-TxD1 Output routed to LIN Transmitter. 1 _B UART1-TxD1 Output is disconnected from LIN Transmitter. Transceiver TxD Input is routed to P0.1. <i>Note: To select TXD_1 as the UART1 output on P0.1, the Port ALTSELx registers need to be configured additionally.</i>
URIOS1	6	rw	UART1 Input/Output Select 0 _B UART1 Receiver Input RxD1 is routed to LIN Receiver. 1 _B UART1 Receiver Input RxD1 is routed to P1.4. <i>Note: To select RxD output of the Transmitter on P1.4, the Port ALTSELx registers need to be configured additionally.</i>
EXINT2IS	5:4	rw	External Interrupt 2 Input Select 00 _B External Interrupt Input EXINT2_0 is selected (P2.7). 01 _B External Interrupt Input EXINT2_1 is selected (P1.4). 10 _B External Interrupt Input EXINT2_2 is selected (P0.4). 11 _B External Interrupt Input EXINT2_3 is selected (P0.0).
EXINT1IS	3:2	rw	External Interrupt 1 Input Select 00 _B External Interrupt Input EXINT1_0 is selected (P1.1). 01 _B External Interrupt Input EXINT1_1 is selected (P1.3). 10 _B External Interrupt Input EXINT1_2 is selected (P1.0). 11 _B External Interrupt Input EXINT1_3 is selected (P2.4).
EXINT0IS	1:0	rw	External Interrupt 0 Input Select 00 _B n.u. 01 _B External Interrupt Input EXINT0_1 is selected (P1.2). 10 _B External Interrupt Input EXINT0_2 is selected (P0.1). 11 _B External Interrupt Input EXINT0_3 is selected (P2.3).

MODPISEL1

Peripheral Input Select Register 1

(0BC_H)

Reset Value: 00_H



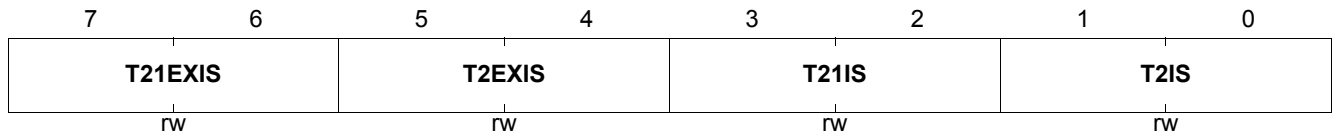
Field	Bits	Type	Description
T21EXCON	7	rw	Timer 21 External Input Control 0 _B Timer 21 Input T21EX is selected by bit field MODPISEL2.T2EXIS. 1 _B Timer 21 Input T21EX is connected to signal from analog subsystem.
T2EXCON	6	rw	Timer 2 External Input Control 0 _B Timer 2 Input T2EX is selected by bit field MODPISEL2.T2EXIS. 1 _B Timer 2 Input T2EX is connected to signal from analog subsystem.
RES	5:4	r	Reserved Returns 0 if read; should be written with 0.
RES	3:1	r	Reserved Returns 0 if read; should be written with 0.
GPT12CAPINB	0	rw	GPT12 CAPINB Input Control set GPT12E->PISEL.ISCAPIN = 1 0 _B GPT12 CAPINB Input is connected to P0.3. 1 _B not used

MODPISEL2

Peripheral Input Select Register 2

(0C0_H)

Reset Value: 00_H



Field	Bits	Type	Description
T21EXIS	7:6	rw	<p>Timer 21 External Input Select</p> <p>00_B Timer 21 Input T21EX_0 is selected. 01_B Timer 21 Input T21EX_1 is selected. 10_B Timer 21 Input T21EX_2 is selected. 11_B Timer 21 Input T21EX_3 is selected.</p> <p><i>Note: This selection takes effect only when MODPISEL1.T21EXCON = 0.</i></p>
T2EXIS	5:4	rw	<p>Timer 2 External Input Select</p> <p>00_B Timer 2 Input T2EX_0 (int. LIN Trx.) is selected. 01_B Timer 2 Input T2EX_1 is selected. Others: Reserved</p> <p><i>Note: This selection takes effect only when MODPISEL1.T2EXCON = 0.</i></p>
T21IS	3:2	rw	<p>Timer 21 Input Select</p> <p>00_B Timer 21 Input T21_0 is selected. 01_B Timer 21 Input T21_1 is selected. 10_B Timer 21 Input T21_2 is selected. 11_B Reserved.</p>
T2IS	1:0	rw	<p>Timer 2 Input Select</p> <p>00_B Timer 2 Input T2_0 is selected. 01_B Timer 2 Input T2_1 is selected. Others: Reserved</p>

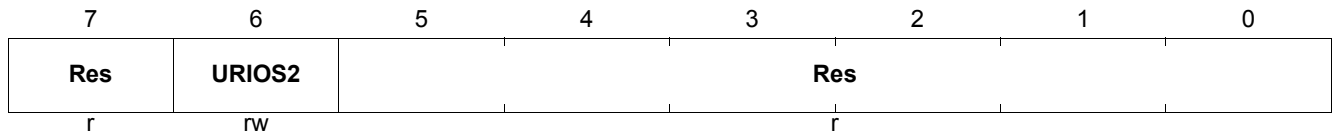
System Control Unit - Digital Modules (SCU-DM)

MODPISEL3

Peripheral Input Select Register 3

(0C4_H)

Reset Value: 00_H



Field	Bits	Type	Description
Res	7	r	Reserved Returns 0 if read; should be written with 0.
URIOS2	6	rw	UART2 Input/Output Select 0 _B UART2 Receiver Input RXD2_0 and Transmitter Output TXD2_0 is selected. 1 _B UART2 Receiver Input RXD2_1 and Transmitter Output TXD2_1 is selected. <i>Note: To select TXD2_1 as the Transmitter output, the Port ALTSELx registers need to be configured additionally.</i>
Res	5:0	r	Reserved Returns 0 if read; should be written with 0.

7.7.2 Port Output Control

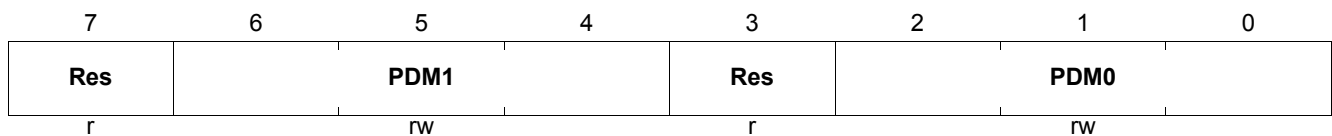
Px_POCONy registers control the output driver strength for each of the bidirectional port pins through the bit field PDMn, where x denotes the port number and n denotes the pin number.

P0_POCON0

Port Output Control Register

(0E8_H)

Reset Value: 44_H



Field	Bits	Type	Description
Res	7	r	Reserved Returns 0 if read; should be written with 0.
PDM1	6:4	rw	P0.1 Port Driver Mode Code Driver Strength ¹⁾ and Edge Shape ²⁾ 000 _B Not used 001 _B Not used 010 _B Not Used 011 _B Weak driver 100 _B Medium driver 101 _B Medium driver 110 _B Medium driver 111 _B Weak driver
Res	3	r	Reserved Returns 0 if read; should be written with 0.
PDM0	2:0	rw	P0.0 Port Driver Mode Code Driver Strength ¹⁾ and Edge Shape ²⁾ 000 _B Strong driver and sharp edge mode 001 _B Strong driver and medium edge mode 010 _B Strong driver and soft edge mode 011 _B Weak driver 100 _B Medium driver 101 _B Medium driver 110 _B Medium driver 111 _B Weak driver

- 1) Defines the current the respective driver can deliver to the external circuitry.
- 2) Defines the switching characteristics to the respective new output driver. This also influences the peak currents through the driver when producing an edge, i.e. when changing the output level.

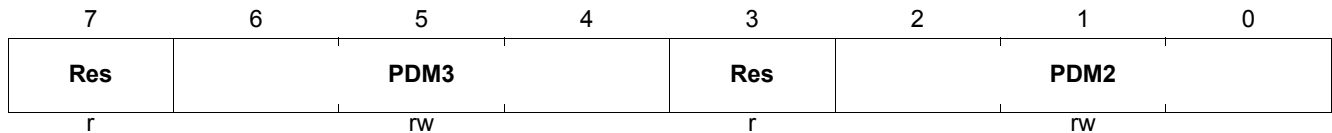
System Control Unit - Digital Modules (SCU-DM)

P0_POCON1

Port Output Control Register

(0EC_H)

Reset Value: 44_H



Field	Bits	Type	Description
Res	7	r	Reserved Returns 0 if read; should be written with 0.
PDM3	6:4	rw	P0.3 Port Driver Mode Code Driver Strength ¹⁾ and Edge Shape ²⁾ 000 _B Not used 001 _B Not used 010 _B Not Used 011 _B Weak driver 100 _B Medium driver 101 _B Medium driver 110 _B Medium driver 111 _B Weak driver
Res	3	r	Reserved Returns 0 if read; should be written with 0.
PDM2	2:0	rw	P0.2 Port Driver Mode Code Driver Strength ¹⁾ and Edge Shape ²⁾ 000 _B Strong driver and sharp edge mode 001 _B Strong driver and medium edge mode 010 _B Strong driver and soft edge mode 011 _B Weak driver 100 _B Medium driver 101 _B Medium driver 110 _B Medium driver 111 _B Weak driver

- 1) Defines the current the respective driver can deliver to the external circuitry.
- 2) Defines the switching characteristics to the respective new output driver. This also influences the peak currents through the driver when producing an edge, i.e. when changing the output level.

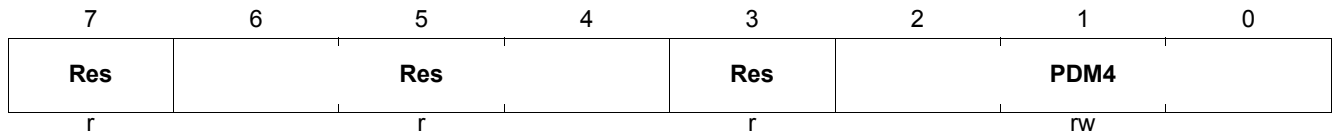
System Control Unit - Digital Modules (SCU-DM)

P0_POCON2

Port Output Control Register

(0F0_H)

Reset Value: 44_H



Field	Bits	Type	Description
Res	7	r	Reserved Returns 0 if read; should be written with 0.
Res	6:4	r	Reserved Returns "100" if read; should be written with "100".
Res	3	r	Reserved Returns 0 if read; should be written with 0.
PDM4	2:0	rw	P0.4 Port Driver Mode Code Driver Strength ¹⁾ and Edge Shape ²⁾ 000 _B Not used 001 _B Not used 010 _B Not Used 011 _B Weak driver 100 _B Medium driver 101 _B Medium driver 110 _B Medium driver 111 _B Weak driver

- 1) Defines the current the respective driver can deliver to the external circuitry.
- 2) Defines the switching characteristics to the respective new output driver. This also influences the peak currents through the driver when producing an edge, i.e. when changing the output level.

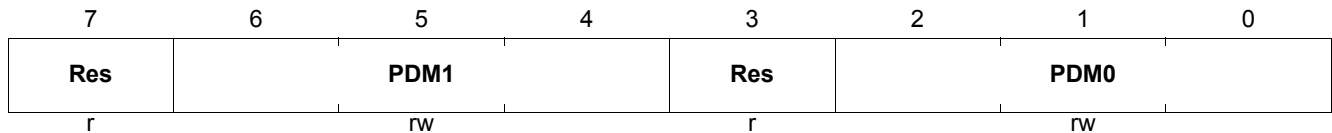
System Control Unit - Digital Modules (SCU-DM)

P1_POCON0

Port Output Control Register

(0F8_H)

Reset Value: 44_H



Field	Bits	Type	Description
Res	7	r	Reserved Returns 0 if read; should be written with 0.
PDM1	6:4	rw	P1.1 Port Driver Mode Code Driver Strength ¹⁾ and Edge Shape ²⁾ 000 _B Not used 001 _B Not used 010 _B Not Used 011 _B Weak driver 100 _B Medium driver 101 _B Medium driver 110 _B Medium driver 111 _B Weak driver
Res	3	r	Reserved Returns 0 if read; should be written with 0.
PDM0	2:0	rw	P1.0 Port Driver Mode Code Driver Strength ¹⁾ and Edge Shape ²⁾ 000 _B Not used 001 _B Not used 010 _B Not Used 011 _B Weak driver 100 _B Medium driver 101 _B Medium driver 110 _B Medium driver 111 _B Weak driver

- 1) Defines the current the respective driver can deliver to the external circuitry.
- 2) Defines the switching characteristics to the respective new output driver. This also influences the peak currents through the driver when producing an edge, i.e. when changing the output level.

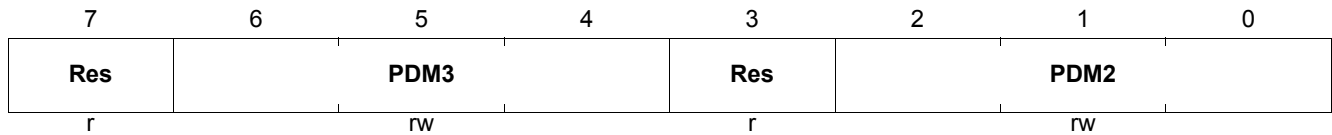
System Control Unit - Digital Modules (SCU-DM)

P1_POCON1

Port Output Control Register

(0FC_H)

Reset Value: 44_H



Field	Bits	Type	Description
Res	7	r	Reserved Returns 0 if read; should be written with 0.
PDM3	6:4	rw	P1.3 Port Driver Mode Code Driver Strength ¹⁾ and Edge Shape ²⁾ 000 _B Strong driver and sharp edge mode 001 _B Strong driver and medium edge mode 010 _B Strong driver and soft edge mode 011 _B Weak driver 100 _B Medium driver 101 _B Medium driver 110 _B Medium driver 111 _B Weak driver
Res	3	r	Reserved Returns 0 if read; should be written with 0.
PDM2	2:0	rw	P1.2 Port Driver Mode Code Driver Strength ¹⁾ and Edge Shape ²⁾ 000 _B Not used 001 _B Not used 010 _B Not Used 011 _B Weak driver 100 _B Medium driver 101 _B Medium driver 110 _B Medium driver 111 _B Weak driver

- 1) Defines the current the respective driver can deliver to the external circuitry.
- 2) Defines the switching characteristics to the respective new output driver. This also influences the peak currents through the driver when producing an edge, i.e. when changing the output level.

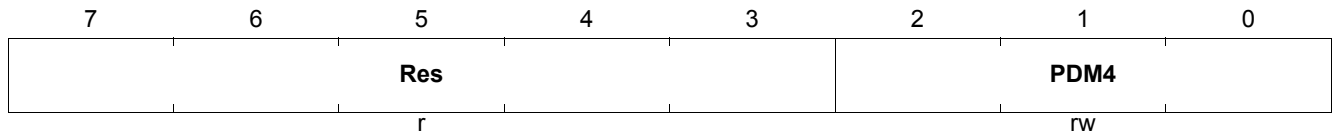
System Control Unit - Digital Modules (SCU-DM)

P1_POCON2

Port Output Control Register

(100_H)

Reset Value: 04_H



Field	Bits	Type	Description
Res	7:3	r	Reserved Returns 0 if read; should be written with 0.
PDM4	2:0	rw	P1.4 Port Driver Mode Code Driver Strength ¹⁾ and Edge Shape ²⁾ 000 _B Strong driver and sharp edge mode 001 _B Strong driver and medium edge mode 010 _B Strong driver and soft edge mode 011 _B Weak driver 100 _B Medium driver 101 _B Medium driver 110 _B Medium driver 111 _B Weak driver

- 1) Defines the current the respective driver can deliver to the external circuitry.
- 2) Defines the switching characteristics to the respective new output driver. This also influences the peak currents through the driver when producing an edge, i.e. when changing the output level.

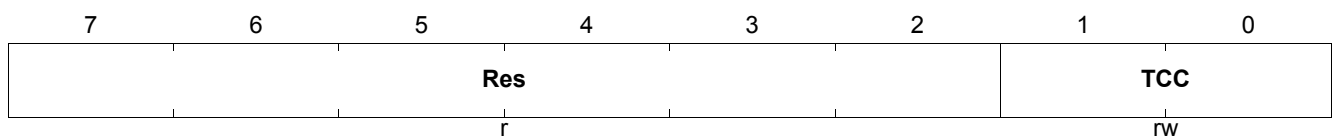
The TCCR register controls the temperature compensation of all the output port pins with strong drivers, i.e. on a device level. The TCCR register has no effect on output port pins that operate in the weak and medium driver modes.

TCCR

Temperature Compensation Control Register

(0F4_H)

Reset Value: 03_H



Field	Bits	Type	Description
Res	7:2	r	Reserved Returns 0 if read; should be written with 0.
TCC	1:0	rw	Temperature Compensation Control The slew rate of the output driver is kept stable over the selected temperature range: 00 _B T_j : -40 °C to 0 °C 01 _B T_j : 0 °C to 40 °C 10 _B T_j : 40 °C to 80 °C 11 _B T_j : 80 °C to 150 °C

7.8 Flexible Peripheral Management

The Flexible Peripheral Management sub-module provides the system designer greater control on the operational status of each individual digital peripheral. Peripherals which are not required for a particular functionality can be disabled by programming the assigned register bits which would gate off the clock inputs. This would further reduce overall power consumption of the microcontroller.

Each register bit controls one peripheral. When this bit is set, the request signal to gate the peripheral clock is activated. The peripheral will then synchronize the gating off of the clock to the peripheral.

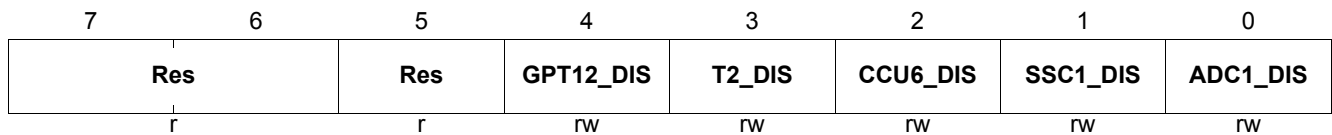
7.8.1 Peripheral Management Registers

PMCON1

Peripheral Management Control Register 1

(060_H)

Reset Value: 00_H



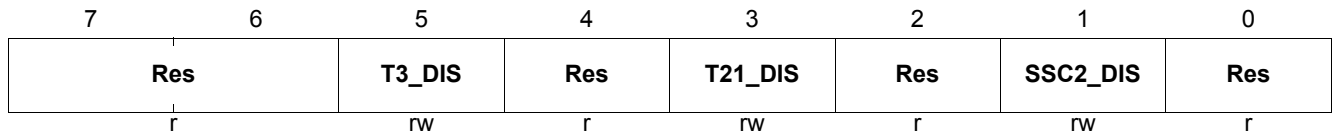
Field	Bits	Type	Description
Res	7:6	r	Reserved Returns 0 if read; should be written with 0.
Res	5	r	Reserved Returns 0 if read; should be written with 0.
GPT12_DIS	4	rw	General Purpose Timer 12 Disable Request. Active high. 0 _B GPT12 is in normal operation. (default) 1 _B Request to disable the GPT12.
T2_DIS	3	rw	T2 Disable Request. Active high. 0 _B T2 is in normal operation. (default) 1 _B Request to disable the T2.
CCU6_DIS	2	rw	CCU6 Disable Request. Active high. 0 _B CCU6 is in normal operation. (default) 1 _B Request to disable the CCU6.
SSC1_DIS	1	rw	SSC1 Disable Request. Active high. 0 _B SSC1 is in normal operation. (default) 1 _B Request to disable the SSC1.
ADC1_DIS	0	rw	ADC1 Disable Request. Active high. 0 _B ADC1 is in normal operation. (default) 1 _B Request to disable the ADC1.

System Control Unit - Digital Modules (SCU-DM)

PMCON2

Peripheral Management Control Register 2 (064_H)

Reset Value: 00_H



Field	Bits	Type	Description
Res	7:6	r	Reserved Returns 0 if read; should be written with 0.
T3_DIS	5	rw	T3 Disable Request. Active high. 0 _B T3 is in normal operation. (default) 1 _B Request to disable the T3.
Res	4	r	Reserved Returns 0 if read; should be written with 0.
T21_DIS	3	rw	T21 Disable Request. Active high. 0 _B T21 is in normal operation. (default) 1 _B Request to disable the T21.
Res	2	r	Reserved Returns 0 if read; should be written with 0.
SSC2_DIS	1	rw	SSC2 Disable Request. Active high. 0 _B SSC2 is in normal operation. (default) 1 _B Request to disable the SSC2.
Res	0	r	Reserved Returns 0 if read; should be written with 0.

7.9 Module Suspend Control

When the On-Chip Debug Support (Debug Mode) is in Monitor Mode (halted_o from ARM debug), timers in certain modules in TLE9868QXB20 can be suspended based on the settings of their corresponding module suspend bits in register MODSUSP. When suspended, only the timer stops counting as the counter input clock is gated off. The module is still clocked so that module registers are accessible.

System Control Unit - Digital Modules (SCU-DM)

MODSUSP1

Module Suspend Control Register 1

(0C8_H)

Reset Value: 81_H

7	6	5	4	3	2	1	0
Res	T21_SUSP	Res	GPT12_SUSP	T2_SUSP	T13SUSP	T12SUSP	WDTSUSP
r	rw	r	rw	rw	rw	rw	rw

Field	Bits	Type	Description
Res	7	r	Reserved Returns 0 if read; should be written with 0.
T21_SUSP	6	rw	Timer21 Debug Suspend Bit 0 _B Timer21 will not be suspended. 1 _B Timer21 will be suspended.
Res	5	r	Reserved Returns 0 if read; should be written with 0.
GPT12_SUSP	4	rw	GPT12 Debug Suspend Bit 0 _B GPT12 will not be suspended. 1 _B GPT12 will be suspended.
T2_SUSP	3	rw	Timer2 Debug Suspend Bit 0 _B Timer2 will not be suspended. 1 _B Timer2 will be suspended.
T13SUSP	2	rw	Timer 13 Debug Suspend Bit 0 _B Timer 13 in Capture/Compare Unit will not be suspended. 1 _B Timer 13 in Capture/Compare Unit will be suspended. When suspended, additionally the T13 PWM output is set to inactive level.
T12SUSP	1	rw	Timer 12 Debug Suspend Bit 0 _B Timer 12 in Capture/Compare Unit will not be suspended. 1 _B Timer 12 in Capture/Compare Unit will be suspended. When suspended, additionally the T12 PWM outputs are set to inactive level and capture inputs are disabled.
WDTSUSP	0	rw	SCU Watchdog Timer Debug Suspend Bit 0 _B WDT will not be suspended. 1 _B WDT will be suspended.

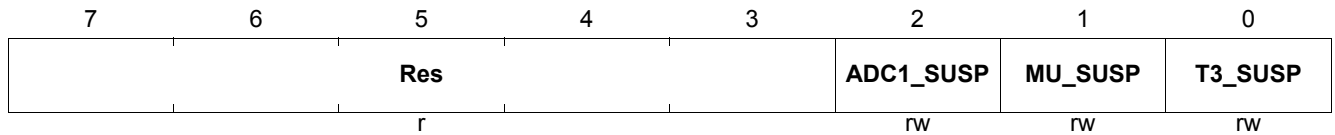
System Control Unit - Digital Modules (SCU-DM)

MODSUSP2

Module Suspend Control Register 2

(0CC_H)

Reset Value: 00_H



Field	Bits	Type	Description
Res	7:3	r	Reserved Returns 0 if read; should be written with 0.
ADC1_SUSP	2	rw	ADC1 Unit Debug Suspend Bit 0 _B ADC1 will not be suspended. 1 _B ADC1 will be suspended.
MU_SUSP	1	rw	Measurement Unit Debug Suspend Bit 0 _B MU will not be suspended. 1 _B MU will be suspended.
T3_SUSP	0	rw	Timer 3 Debug Suspend Bit 0 _B Timer 3 will not be suspended. 1 _B Timer 3 will be suspended.

7.10 Watchdog Timer

There are two watchdog timers in the system: SCU Watchdog Timer (WDT) within TLE9868QXB20, and external watchdog timer (WDT1). The description in this section refers to the SCU WDT.

The Watchdog Timer is a sub-module in the System Control Unit (SCU). The Watchdog Timer (WDT) provides a highly reliable and secure way to detect and recover from software or hardware failures. The WDT helps to abort an accidental malfunction of the TLE9868QXB20 in a user-specified time period. When enabled, the WDT will cause the TLE9868QXB20 system to be reset if the WDT is not serviced within a user-programmable time period. The CPU must service the WDT within this time interval to prevent the WDT from causing a TLE9868QXB20 system reset. Hence, routine service of the WDT confirms that the system is functioning properly.

The WDT is by default disabled.

In debug mode, the WDT is default suspended and stops counting (its debug suspend bit is default set i.e., **MODSUSP1**.WDT SUSP = 1. Therefore during debugging, there is no need to refresh the WDT. Refer to [Section 7.9](#)

Features

- 16-bit Watchdog Timer
- Programmable reload value for upper 8 bits of timer
- Programmable window boundary
- Selectable input frequency of $f_{PCLK}/2$ or $f_{PCLK}/128$

7.10.1 Functional Description

The Watchdog Timer is a 16-bit timer, which is incremented by a count rate of $f_{PCLK}/2$ or $f_{PCLK}/128$. This 16-bit timer is realized as two concatenated 8-bit timers. The upper 8 bits of the Watchdog Timer can be preset to a user-programmable value via a watchdog service access in order to vary the watchdog expire time. The lower 8 bits are reset on each service access. **Figure 25** shows the block diagram of the watchdog timer unit.

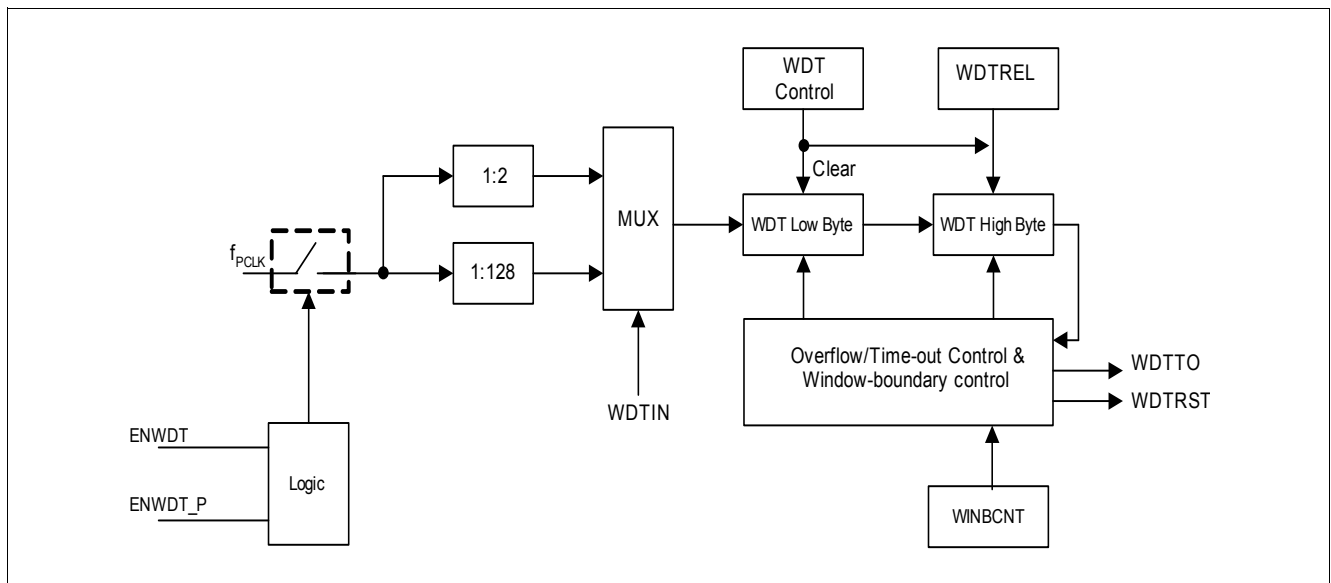


Figure 25 WDT Block Diagram

If the Watchdog Timer is enabled by setting bit WDTEN to 1, the timer is set to a user-defined start value and begins counting up. It must be serviced before the counter overflows. Servicing is performed through refresh. This reloads the timer with the start value, and normal operation continues.

If the WDT is not serviced before the timer overflows, a system malfunction is assumed and normal mode is terminated. A Watchdog Timer NMI request (WDTTO) is asserted and Prewarning is entered. The Prewarning lasts for 30_H counts. During the Prewarning period, refreshing of the Watchdog Timer is ignored and the Watchdog Timer cannot be disabled. A reset (WDRST) of the TLE9868QXB20 is imminent and can no longer be stopped. If refresh happens at the same time an overflow occurs, Watchdog Timer will not go into Prewarning period.

The Watchdog Timer must be serviced periodically so that its count value will not overflow. Servicing the Watchdog Timer clears the low byte and reloads the high byte with the preset value in bit field WDTREL. Servicing the Watchdog Timer also clears the bit WDTRS.

The Watchdog Timer has a 'programmable window boundary', it disallows refresh during the Watchdog Timer's count-up. A Refresh during this window-boundary will cause the Watchdog Timer to activate WDRST. The window boundary is from 0000_H to (WDTWINB,00H). This feature can be enabled by WINBEN.

After being serviced, the Watchdog Timer continues counting up from the value ($<WDTREL> * 2^8$). The time period for an overflow of the Watchdog Timer is programmable in two ways:

- **the input frequency** to the Watchdog Timer can be selected via bit WDTIN in register WDTCON to be either $f_{PCLK}/2$ or $f_{PCLK}/128$.
- **the reload value** WDTREL for the high byte of WDT can be programmed in register WDTREL.

The period P_{WDT} between servicing the Watchdog Timer and the next overflow can be determined by the following formula:

$$P_{WDT} = \frac{2^{(1+WDTIN \times 6)} \times (2^{16} - WDTREL \times 2^8)}{f_{PCLK}} \tag{5}$$

If the Window-Boundary Refresh feature of the Watchdog Timer is enabled, the period P_{WDT} between servicing the Watchdog Timer and the next overflow is shortened if WDTWINB is greater than WDTREL. See also [Figure 26](#). This period can be calculated by the same formula by replacing WDTREL with WDTWINB. In order for this feature to be useful, WDTWINB cannot be smaller than WDTREL.

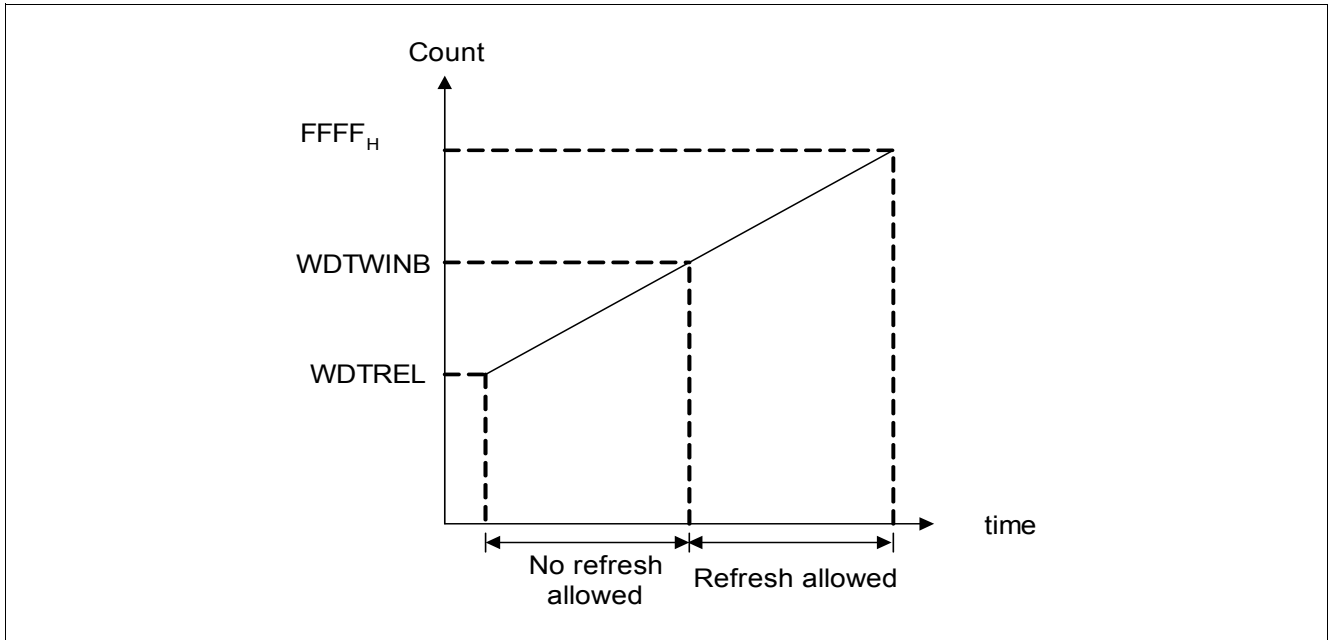


Figure 26 Watchdog Timer Timing Diagram

[Table 36](#) lists the possible ranges for the watchdog time which can be achieved using a certain module clock. Some numbers are rounded to 3 significant digits.

Table 36 Watchdog Time Ranges

Reload Value in WDTREL	Prescaler for f_{PCLK}			
	2 (WDTIN = 0)		128 (WDTIN = 1)	
	20 MHz	13.3 MHz	20 MHz	13.3 MHz
FF _H	25.6 μ s	38.4 μ s	1.64 ms	2.46 ms
7F _H	3.30 ms	4.95 ms	211 ms	317 ms
00 _H	6.55 ms	9.83 ms	419 ms	629 ms

Notes

1. For safety reasons, the user is advised to rewrite WDTCON each time before the Watchdog Timer is serviced.
2. The Watchdog Timer can be suspended when Debug Mode enters Monitor Mode and has the Debug-Suspend signal activated, provided the respective suspend bit, WDTSUSP in SFR SCU_MODSUSP, is set. See [Section 7.9](#).

7.10.2 Register Description

The current count value of the Watchdog Timer is contained in the Watchdog Timer Register WDT, which is a non-bit-addressable read-only register. The operation of the Watchdog Timer is controlled by its bit-addressable Watchdog Timer Control Register WDTCON. WDTREL register specifies the reload value for the high byte of the timer. WDTWINB specifies Watchdog Window-Boundary count value.

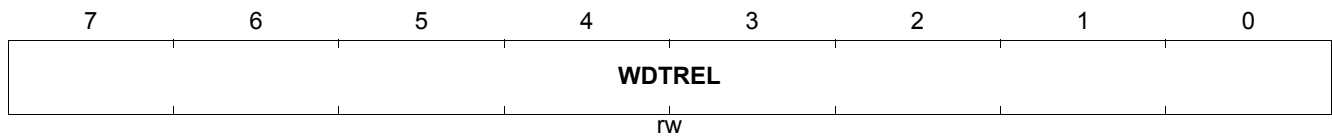
System Control Unit - Digital Modules (SCU-DM)

WDTREL

Watchdog Timer Reload Register

(078_H)

Reset Value: 00_H



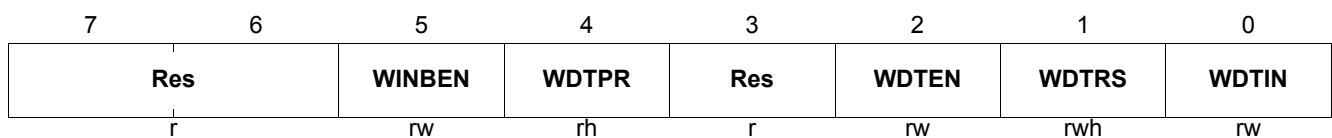
Field	Bits	Type	Description
WDTREL	7:0	rw	Watchdog Timer Reload Value (for the high byte of WDT)

WDTCN

Watchdog Timer Control Register

(050_H)

Reset Value: 00_H



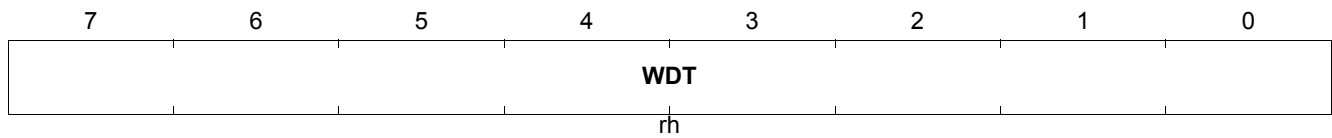
Field	Bits	Type	Description
Res	7:6	r	Reserved Returns 0 if read; should be written with 0.
WINBEN	5	rw	Watchdog Window-Boundary Enable 0 _B Watchdog Window-Boundary feature is disabled. (default) 1 _B Watchdog Window-Boundary feature is enabled.
WDTPR	4	rh	Watchdog Prewarning Mode Flag 0 _B Normal mode (default after reset) 1 _B The Watchdog is operating in Prewarning Mode This bit is set to 1 when a Watchdog error is detected. The Watchdog Timer has issued an NMI trap and is in Prewarning Mode. A reset of the chip occurs after the prewarning period has expired.
Res	3	r	Reserved Returns 0 if read; should be written with 0.
WDTEN	2	rw	WDT Enable 0 _B WDT is disabled 1 _B WDT is enabled WDTEN is a protected bit. If the Protection Scheme is activated then this bit cannot be written directly. For more information on Protection Scheme, see Section 7.12 . <i>Note: Clearing WDTEN bit to 0 during Prewarning Mode (WDTPR = 1) has no effect.</i>
WDTRS	1	rwh	WDT Refresh Start Active high. Set to start refresh operation on the watchdog timer. Cleared automatically by hardware after it is set by software.
WDTIN	0	rw	Watchdog Timer Input Frequency Selection 0 _B Input frequency is $f_{PCLK}/2$ 1 _B Input frequency is $f_{PCLK}/128$

WDTL

Watchdog Timer, Low Byte

(080_H)

Reset Value: 00_H



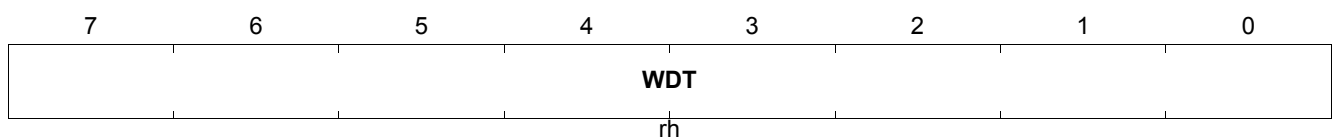
Field	Bits	Type	Description
WDT	7:0	rh	Watchdog Timer Current Value

WDTH

Watchdog Timer, High Byte

(084_H)

Reset Value: 00_H



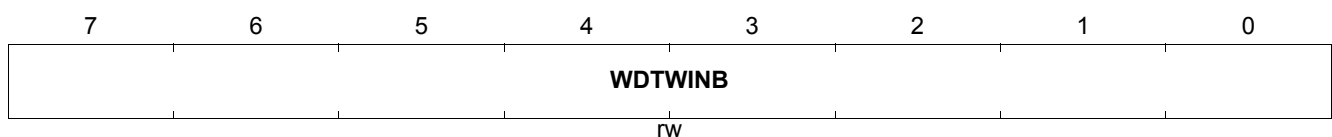
Field	Bits	Type	Description
WDT	7:0	rh	Watchdog Timer Current Value

WDTWINB

Watchdog Window-Boundary Count

(07C_H)

Reset Value: 00_H



Field	Bits	Type	Description
WDTWINB	7:0	rw	Watchdog Window-Boundary Count Value This value is programmable. Within this Window-Boundary range from 0000 _H to (WDTWINB, 00 _H), the WDT cannot do a Refresh, else it will cause a WDTRST to be asserted. WDTWINB is matched to WDTH.

7.11 Error Detection and Correction Control for Memories

This section defines the registers used for error detection and correction control of memories – namely RAM and NVM, which support this function.

7.11.1 Error Detection and Correction Control Register

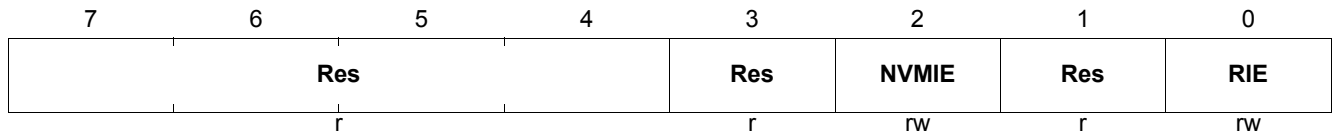
The EDCCON register determines the generation of an NMI due to double bit ECC error when reading these memories.

System Control Unit - Digital Modules (SCU-DM)

EDCCON

Error Detection and Correction Control Register (0D4_H)

Reset Value: 00_H



Field	Bits	Type	Description
Res	7:4	r	Reserved Returns 0 if read; should be written with 0.
Res	3	r	Reserved Returns 0 if read; should be written with 0.
NVMIE	2	rw	NVM Double Bit ECC Error Interrupt Enable 0 _B No NMI is generated when a double bit ECC error occurs reading NVM. 1 _B An NMI is generated when a double bit ECC error occurs reading NVM.
Res	1	r	Reserved Returns 0 if read; should be written with 0.
RIE	0	rw	RAM Double Bit ECC Error Interrupt Enable 0 _B No NMI is generated when a double bit ECC error occurs reading RAM. 1 _B An NMI is generated when a double bit ECC error occurs reading RAM.

7.11.2 Error Detection and Correction Status Register

The EDCSTAT register contains the status flags of ECC errors when reading these memories.

This register EDCSTAT is reset by RESET_TYPE_4.

EDCSTAT

Error Detection and Correction Status Register,(0D8_H)Reset Value: 00_H

7	6	5	4	3	2	1	0
Res	Res	Res	RSBE	Res	NVMDBE	Res	RDBE
r	r	r	r	r	r	r	r

Field	Bits	Type	Description
Res	7	r	Reserved Returns 0 if read; should be written with 0.
Res	6	r	Reserved Returns 0 if read; should be written with 0.
Res	5	r	Reserved Returns 0 if read; should be written with 0.
RSBE	4	r	RAM Single Bit Error This bit is set by hardware and can be cleared only by software. 0 _B No single bit error on RAM has occurred. 1 _B A single bit error on RAM has occurred.
Res	3	r	Reserved Returns 0 if read; should be written with 0.
NVMDBE	2	r	NVM Double Bit Error This bit is set by hardware and can be cleared only by software. 0 _B No double bit error on NVM has occurred. 1 _B A double bit error on NVM has occurred.
Res	1	r	Reserved Returns 0 if read; should be written with 0.
RDBE	0	r	RAM Double Bit Error This bit is set by hardware and can be cleared only by software. 0 _B No double bit error on RAM has occurred. 1 _B A double bit error on RAM has occurred.

System Control Unit - Digital Modules (SCU-DM)

EDCSCLR

Error Detection and Correction Status Clear Register(10C_H)Reset Value: 00_H

7	6	5	4	3	2	1	0
Res	Res	Res	RSBEC	Res	NVMDBEC	Res	RDBEC
r	r	r	w	r	w	r	w

Field	Bits	Type	Description
Res	7	r	Reserved Returns 0 if read; should be written with 0.
Res	6	r	Reserved Returns 0 if read; should be written with 0.
Res	5	r	Reserved Returns 0 if read; should be written with 0.
RSBEC	4	w	RAM Single Bit Error Clear This bit is set by software and can be cleared only by hardware. 0 _B A single bit error on RAM is not cleared. 1 _B A single bit error on RAM is cleared.
Res	3	r	Reserved Returns 0 if read; should be written with 0.
NVMDBEC	2	w	NVM Double Bit Error Clear This bit is set by software and can be cleared only by hardware. 0 _B A double bit error on NVM is not cleared. 1 _B A double bit error on NVM is cleared.
Res	1	r	Reserved Returns 0 if read; should be written with 0.
RDBEC	0	w	RAM Double Bit Error Clear This bit is set by software and can be cleared only by hardware. 0 _B A double bit error on RAM is not cleared. 1 _B A double bit error on RAM is cleared.

7.12 Miscellaneous Control

This module consists of the Bit-Protection Scheme and general system control SFRs.

7.12.1 Bit Protection Register

The Bit-Protection Scheme disallows direct software writing of selected bits (i.e. Protected bits) by the SFR PASSWD. When the bit field MODE is 11_B, writing 10011_B to the bit field PASS opens access to writing of all protected bits and writing 10101_B to the bit field PASS closes access to writing of all protected bits. Note that access is opened for maximum 32 CCLKs if the “close access” password is not written. If “open access” password is written again before the end of 32 CCLK cycles, there will be a recount of 32 CCLK cycles.

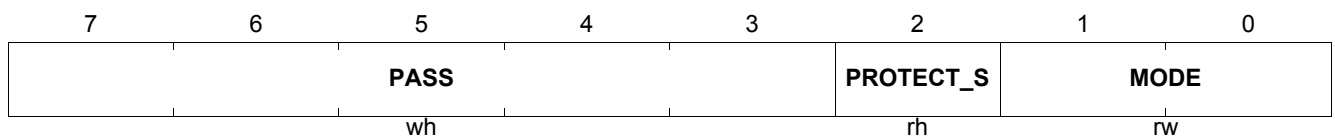
Note: Due to the fact that the write access to a register unlocked by the access to PASSWD is granted only for 32 clock cycles, it is recommended to disable interrupts before and reenale them afterwards again. In case an interrupt is issued right after the register write access has been opened the 32 clock cycles will be past if the interrupt returns and the write access to the desired register is blocked again. For those registers which do only hold PASSWD protected bits a write access to a locked register will cause a Hard Fault exception.

PASSWD

Password Register

(0AC_H)

Reset Value: 07_H



Field	Bits	Type	Description
PASS	7:3	wh	Password Bits The Bit-Protection Scheme only recognizes three patterns. 11000 _B Enables writing of the bit field MODE. 10011 _B Opens access to writing of all protected bits. 10101 _B Closes access to writing of all protected bits.
PROTECT_S	2	rh	Bit-Protection Signal Status Bit This bit shows the status of the protection. 0 _B Software is able to write to all protected bits. 1 _B Software is unable to write to any protected bits.
MODE	1:0	rw	Bit-Protection Scheme Control Bit 00 _B Scheme Disabled 11 _B Scheme Enabled (default) Others: Scheme Enabled These two bits cannot be written directly. To change the value between 11 _B and 00 _B , the bit field PASS must be written with 11000 _B , only then the MODE[1:0] will be registered.

The PASSWD register and the registers which contain protected bits are located in page 2 of the SCU SFR address map. The list of protected bits is shown in [Table 37](#).

Table 37 List of Protected Bits

Register	Bit Field
SYSCON0	NVMCLKFAC
	SYSCLOCKSEL

Table 37 List of Protected Bits (cont'd)

Register	Bit Field
OSC_CON	OSCSS
	XPD
OSC_CON	OSCTRIM8
PLL_CON	NDIV
CMCON1	K1DIV
	K2DIV
CMCON2	PBA0CLKREL
PMCON0	SL
	PD
	SD
WDTCON	WDTEN
APCLK_CTRL1	CPCLK_DIV
	CPCLK_SEL
	BGCLK_DIV
	BGCLK_SEL
	T3CLK_SEL
TRIM_DRVx	all bits

7.12.2 System Control and Status Registers

The system startup status register provides information to the user about the system initialization with the user programmable 100 TP Page at startup. This register is written by firmware. The user application needs to check the SYS_STARTUP_SYS.MRAMINITSTS in order to check the consistency of the Data Flash mapping. Only if no failure is signaled then data flash write/erase operations can be safely performed. In case of failure a reset can be issued in order to start the Service Algorithm to try to fix the integrity issue inside the data flash, if the MRAMINITSTS is still flagged afterwards the data flash sector has to be reinitialized by performing a SECTOR_ERASE.

Furthermore the user shall check the MEMSTAT register as a result feedback from the Service Algorithm.

SYS_STARTUP_STS

System Startup Status Register

(074_H)

Reset Value: 40_H

7	6	5	4	3	2	1	0
Res	Res	Res	Res	Res	PG+_CHKS_ERR	MRAMINITSTS	INIT_FAIL
r	r	r	r	r	rwp	rwp	rwp

Field	Bits	Type	Description
Res	7:3	r	Reserved This bit field is always read as zero.
PG100TP_CHKS_ERR	2	rwp	100 TP Page Checksum Error Initialization of trimming parameters from NVM failed, default values out of Boot-ROM are used because of checksum error.

System Control Unit - Digital Modules (SCU-DM)

Field	Bits	Type	Description
MRAMINITSTS	1	rwp	Map RAM Initialization Status This bit reflects the status of Map RAM initialization. 0: no fail = Map RAM initialization was successful. 1: fail = Map RAM initialization was not successful.
INIT_FAIL	0	rwp	Initialization at startup failed This bit is a logical OR between PLL_LOCK failure, Map RAM initialization failure and trimming values checksum error. 0: no error= no initialization error at startup. 1: error= initialization error at startup.

System Control Unit - Digital Modules (SCU-DM)

SYS_STARTUP_STS contains the main system control and status bits.

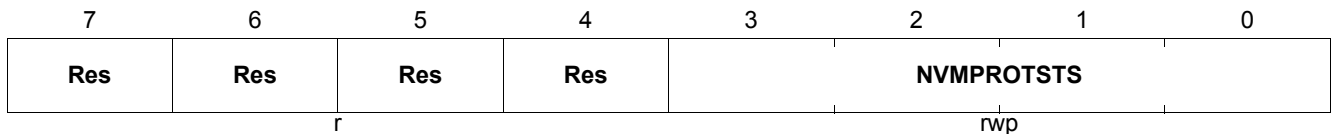
This register is reset by **RESET_TYPE_4**. It reflects the NVM Protection Status. It is written by firmware. In order to modify this register the **PASSWD** open pass phrase has to be written before.

NVM_PROT_STS

NVM Protection Status Register

(0E0_H)

Reset Value: 00_H



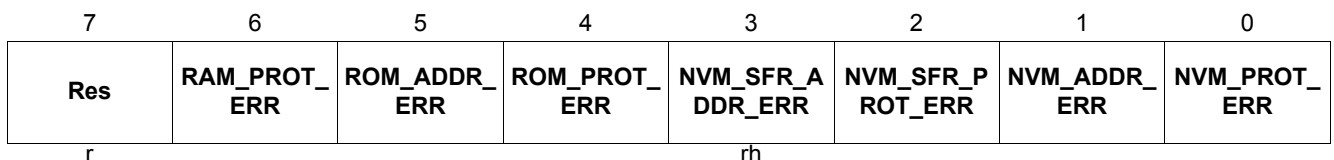
Field	Bits	Type	Description
Res	7:4	r	Reserved This bit field is always read as zero.
NVMPROTSTSL_3	3	rwp	NVM Protection Status Register Low Flags 0 _B The data in sectors of the linearly mapped area can not be read 1 _B The data in sectors of the linearly mapped area can be read
NVMPROTSTSL_2	2	rwp	NVM Protection Status Register Low Flags 0 _B The data in sectors of the non-linearly mapped area can not be read 1 _B The data in sectors of the non-linearly mapped area can be read
NVMPROTSTSL_1	1	rwp	NVM Protection Status Register Low Flags 0 _B The data in sectors of the linearly mapped area can not be changed 1 _B The data in sectors of the linearly mapped area can be changed
NVMPROTSTSL_0	0	rwp	NVM Protection Status Register Low Flags 0 _B The data in sectors of the non-linearly mapped area can not be changed 1 _B The data in sectors of the non-linearly mapped area can be changed

MEM_ACC_STS

Memory Access Status Register

(0E4_H)

Reset Value: 00_H



Field	Bits	Type	Description
Res	7	r	Reserved This bit field is always read as zero.

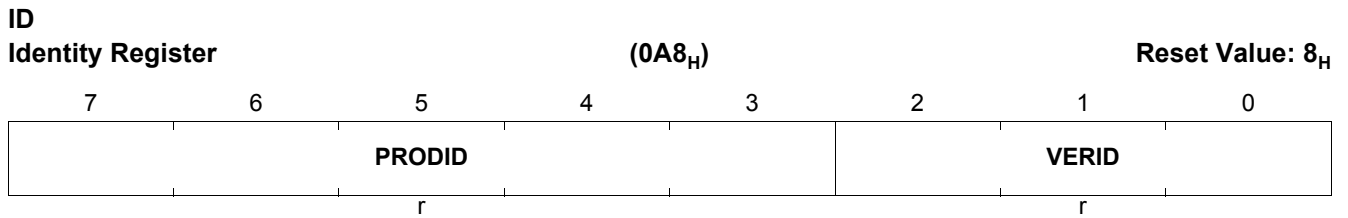
System Control Unit - Digital Modules (SCU-DM)

Field	Bits	Type	Description
RAM_PROT_ERR	6	rh	RAM Access Protection 0 _B No Protection error 1 _B Protection error
ROM_ADDR_ERR	5	rh	ROM Address Protection 0 _B No Protection error 1 _B Protection error
ROM_PROT_ERR	4	rh	ROM Access Protection 0 _B No Protection error 1 _B Protection error
NVM_SFR_ADDR_ERR	3	rh	NVM SFR Address Protection 0 _B No Protection error 1 _B Protection error
NVM_SFR_PROT_ERR	2	rh	NVM SFR Access Protection 0 _B No Protection error 1 _B Protection error
NVM_ADDR_ERR	1	rh	NVM Address Protection 0 _B No Protection error 1 _B Protection error
NVM_PROT_ERR	0	rh	NVM Access Protection 0 _B No Protection error 1 _B Protection error

This register MEM_ACC_STS is reset by RESET_TYPE_3. It reflects the Memory Access Status of all System Memories. Software can only clear this register.

System Control Unit - Digital Modules (SCU-DM)

The Identity Register identifies the product and versioning.



Field	Bits	Type	Description
PRODID	7:3	r	Product ID 10000 _B
VERID	2:0	r	Version ID Defines the stepping code of the device. 001 _B 010 _B

System Control Unit - Digital Modules (SCU-DM)

The Memory Status Register can be used in two ways. Upon the completion of the Boot ROM startup following a reset, the register stores the NVM initialization status. Subsequently, the register can be used by the user code to store the status of the NVM program and emergency program operation status.

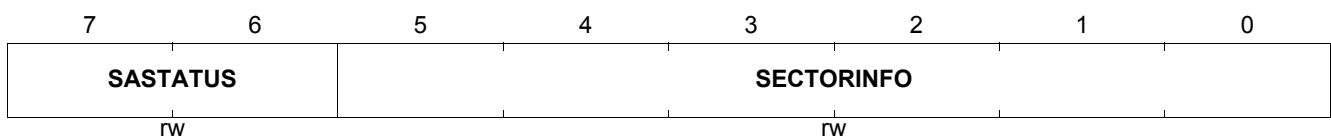
For Boot ROM to indicate NVM initialization status upon completion of startup:

The MEMSTAT register provides the return value of the Service Algorithm, which might get executed during start-up, to the user application. Due to the double-function of the MEMSTAT register it is recommended to clear the MEMSTAT register after evaluation and before any NVM firmware function is called. If the MEMSTAT register holds the value 0x00 then the Service Algorithm was not executed at all. Otherwise the bitfield SASTATUS informs the user application about the result of the corrective actions performed by the Service Algorithm.

In case the Service Algorithm was executed successfully (SASTATUS=0b01) then the user must expect that the Service Algorithm did fix some data flash integrity issue by erasing an erroneous data flash page. Therefore the user shall check the availability of the expected data flash pages. If an expected page was erased by the Service Algorithm due to some failure in the data flash page control information a reading of this page would trigger a NMIMAP. The user can use this information to reconstruct the content of the missing data flash page.

MEMSTAT

Memory Status Register RESET_TYPE_3 (0DC_H) **Reset Value: 00_H**



Field	Bits	Type	Description
SASTATUS	7:6	rw	<p>Service Algorithm Status</p> <p>00_B Depending on SECTORINFO, there are two possible outcomes: For SECTORINFO = 00_H, NVM initialization is successful and no SA is executed. For SECTORINFO = values other than 00_H, SA execution is successful and up to one map error is fixed.</p> <p>01_B SA execution is successful. One mapping error is fixed.</p> <p>10_B SA execution is not successful. Map error exists in one sector.</p> <p>11_B SA execution is not successful. At least one sector failed (this includes also the case where a sector is repaired but another sector is still failing).</p>
SECTORINFO	5:0	rw	<p>Sector Information</p> <p>01_H to 10_H, which represent the different sector addresses. For values not within this range, the data will be considered invalid. Once the SA has been executed, regardless of the execution status, the last accessed sector information will be stored here.</p> <p>00_H Service Algorithm was not executed, mapping consistent</p> <p>09_H 36KB flash derivate</p> <p>0C_H 48KB flash derivate</p> <p>10_H 64KB flash derivate</p> <p>20_H 128KB flash derivate</p>

Note: If the MEMSTAT[7] is '1' then the Service Algorithm was not able to resolve an existing data integrity issue inside the data flash. It is recommended to perform a reset of the device in order to give the Service Algorithm

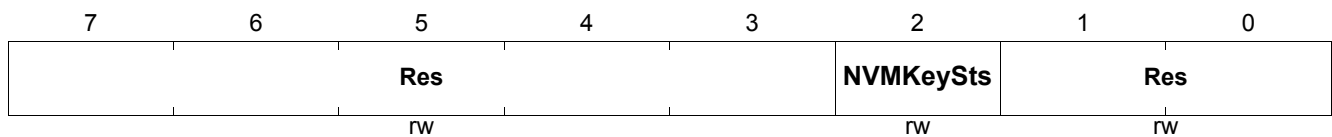
System Control Unit - Digital Modules (SCU-DM)

another try. If also that one fails, MEMSTAT[7] = '1', then a reinitialization of the data flash by performing a SECTOR_ERASE is recommended.

Only available for BF-Stepping: For NVM Mode B (linear data flash), the MEMSTAT provides information about the status of the NVM switching keys. For further information please see the firmware usermanual. This register has to be cleared to '0' prior to an NVM operation:

MEMSTAT

Memory Status Register RESET_TYPE_3 (0DC_H) Reset Value: 00_H



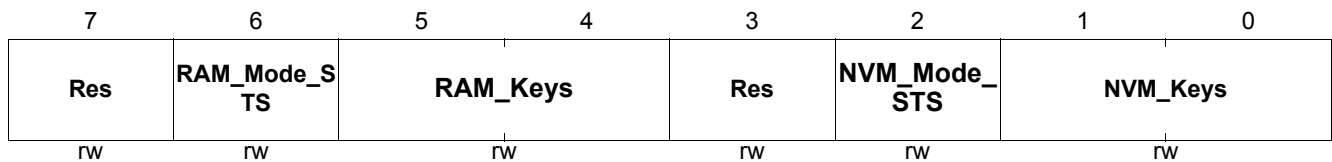
Field	Bits	Type	Description
Res	7:3	rw	Reserved Bits Should be written with 0.
NVMKeySts	2	rw	Emergency Program Operation Status Bit This bit is used to store the status of the emergency program operation. 0 _B switching to NVM Mode B based on all three keys. 1 _B switching to NVM Mode B based on majority decision, at least one key is not valid.
Res	1:0	rw	Reserved Bits Should be written to 0.

System Control Unit - Digital Modules (SCU-DM)

Only available for BF-Stepping: For NVM Mode B (linear data flash), the MEMSTAT provides information about the status of the NVM switching keys. For further information please see the firmware usermanual. This register has to be cleared to '0' prior to an NVM operation:

RAM.Byte0

Memory Status Register RESET_TYPE_3 (18000000_H) **Reset Value: 00_H**



Field	Bits	Type	Description
Res	7	rw	Reserved Bits Should be written with 0.
RAM_Mode_STS	6	rw	RAM operation mode This bit reflects the mode to which the RAM is configured. 0 _B RAM in Mode A, RAM clearing performed. 1 _B RAM in Mode B, RAM clearing skipped.
RAM_Keys	5:4	rw	Number of correct RAM keys 00 _B 0 correct keys, RAM Mode A. 01 _B 1 correct key, RAM Mode B. 10 _B 2 correct keys, RAM Mode B. 11 _B 3 correct keys, RAM Mode B.
Res	3	rw	Reserved Bits Should be written with 0.
NVM_Mode_STS	2	rw	Data NVM operation mode This bit reflects the mode to which the data flash is configured. 0 _B NVM in Mode A, legacy mode, MapRAM enabled. 1 _B NVM in Mode B, two sectors, linear addressing.
NVM_Keys	1:0	rw	Number of correct NVM keys 00 _B 0 correct keys, NVM Mode A. 01 _B 1 correct key, NVM Mode B. 10 _B 2 correct keys, NVM Mode B. 11 _B 3 correct keys, NVM Mode B.

System Control Unit - Digital Modules (SCU-DM)

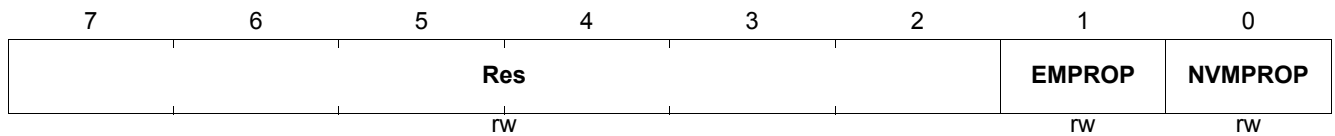
For user code to indicate the NVM program and emergency program operation status:

MEMSTAT

Memory Status Register

(0DC_H)

Reset Value: 00_H



Field	Bits	Type	Description
Res	7:2	rw	Reserved Bits Should be written with 0.
EMPROP	1	rw	Emergency Program Operation Status Bit This bit is used to store the status of the emergency program operation. 0 _B No emergency program operation is requested. 1 _B An emergency program operation is requested.
NVMPROP	0	rw	NVM Program Operation Status Bit This bit is used to store the status of the NVM program operation. 0 _B No NVM program operation is started. 1 _B An NVM program operation is started.

8 System Control Unit - Power Modules (SCU-PM)

8.1 Features

- Clock Watchdog Unit (CWU): supervision of all clocks with NMI signaling relevant to power modules
- Interrupt Control Unit (ICU): all interrupt flags and status flags with system relevance
- Power Control Unit (PCU): takes over control when device enters and exits Sleep Mode
- External Watchdog (WDT1): independent system watchdog for monitoring system activity

8.2 Introduction

8.2.1 Block Diagram

The System Control Unit of the power modules consists of the sub-modules in the figure shown below:

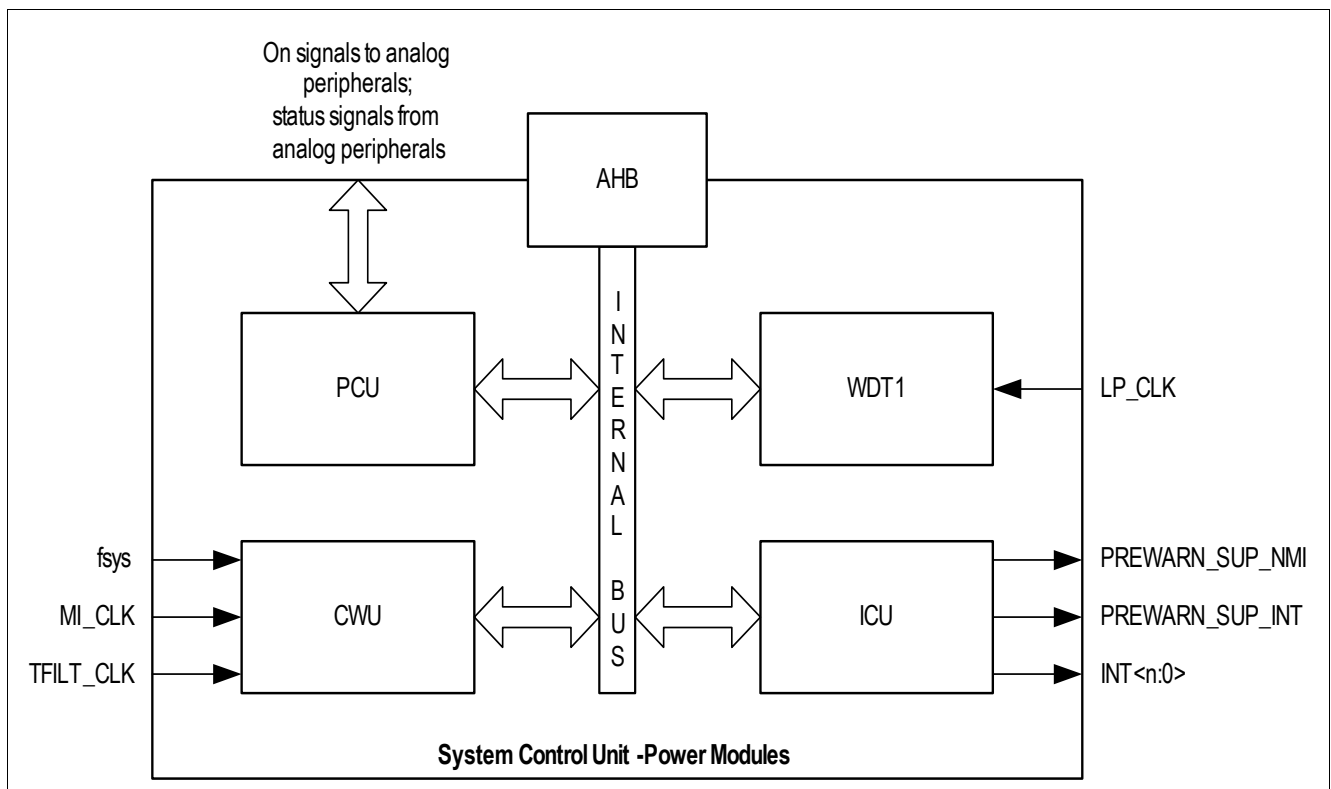


Figure 27 Block diagram of System Control Unit - Power Modules

AHB (Advanced High-Performance Bus)

CWU (Clock Watchdog Unit)

- f_{sys} system frequency: PLL output
- MI_CLK measurement interface clock (analog clock): derived from f_{sys} using division factors 1/2/3/4
- TFILT_CLK clock used for digital filters: derived from f_{sys} using configurable division factors

WDT1 (System Watchdog)

- LP_CLK clock source for all PMU submodules and WDT1

ICU (Interrupt Control Unit)

- PREWARN_SUP_NMI supply prewarning NMI request
- PREWARN_SUP_INT supply prewarning interrupt
- grouping of peripheral interrupts for external interrupt nodes:
 - grouping single peripheral interrupts for interrupt node INT<2> (Measurement Unit (MU))
 - grouping single peripheral interrupts for interrupt node INT<3> (ADC1-VAREF)
 - grouping single peripheral interrupts for interrupt node INT<10> (UART1-LIN Transceiver)
 - grouping single peripheral interrupts for interrupt node INT<14> (Bridge Driver)

8.3 Clock Watchdog Unit (CWU)

There are two clock watchdogs available. One main purpose of them, is to monitor the derived switched capacitor clocks, which are used for analog module operation. If the clocks are not in the required range, a proper functionality of those modules is not given.

The following chapter describes the functionality and the configuration possibilities of these clock watchdogs.

8.3.1 Fail Safe Functionality of Clock Generation Unit (Clock Watchdog)

The Clock Generation Unit provides also fail safe functionalities, which are related to the input clock, the generated clocks and the clock settings. Those are:

- **MI_CLK** and **TFILT_CLK** are out of Range: MI Clock settings for f_{sys} , MI_CLK and TFILT_CLK Clock settings are out of required range and as a result the analog functionalities cannot be guaranteed. This failure triggers the clock watchdog NMI. The current status can be seen in the corresponding registers APCLK1 (in SCU) for the **MI_CLK** and APCLK2 (in SCU) for the **TFILT_CLK**.
- **Loss of clock:** When there is a loss of clock in the system, there is no possibility for the software to react upon this situation, like to enter a fail safe mode or switch to another backup clock source. For this purpose there is a clock watchdog implemented in the system which monitors the f_{sys} and in case of this emergency situation, disables all critical system functions, which are:
 - Bridge Driver and Charge Pump
 - LIN

As shown in [Figure 28](#) all analog clocks are derived from **MI_CLK**. This clock structure requires to place a monitor on this clock, because f_{sys} and therefore **MI_CLK** are adjustable in a wide range (see also Chapter **System Control Unit - CGU**). As an important clock, also the TFILT_CLK is monitored by a clock watchdog. This clock watchdogs have an adjustable lower and upper limits including hysteresis. The placement of the clock watchdogs in the clock structure is sketched below:

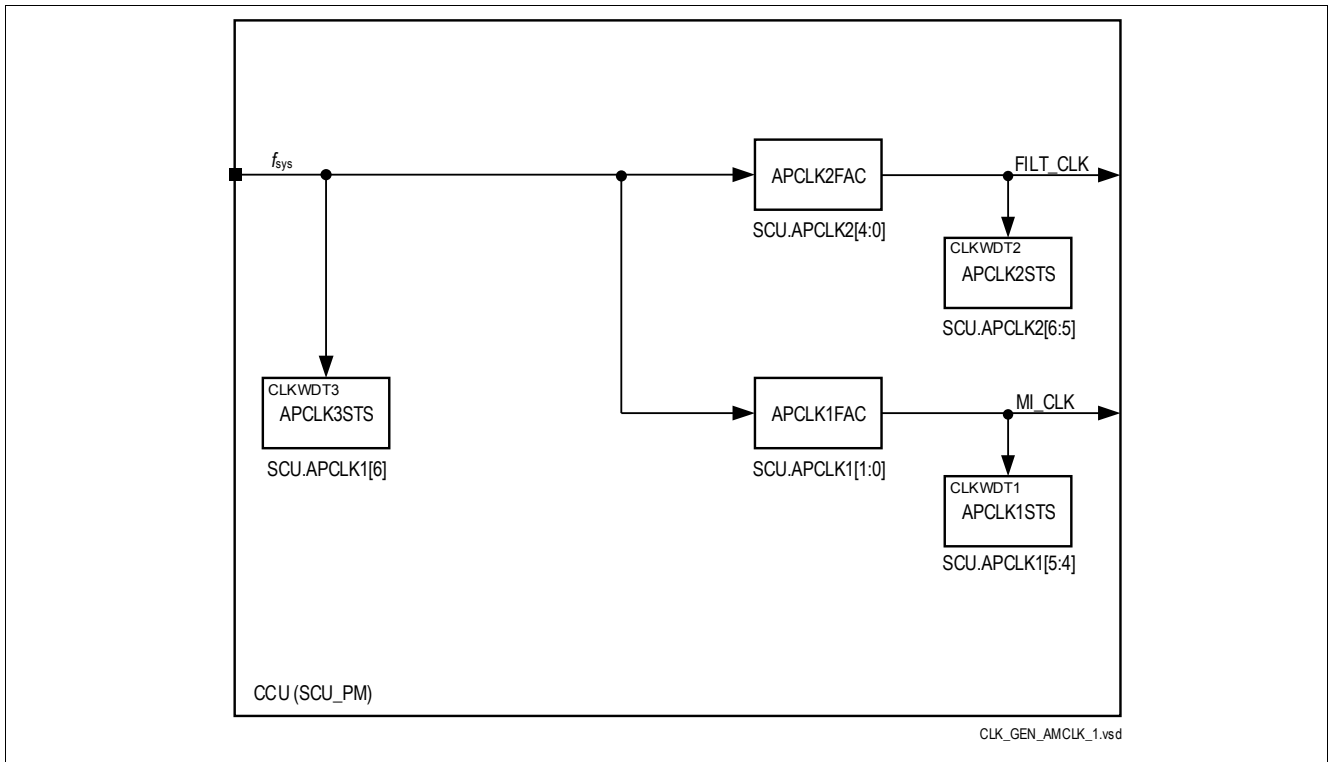


Figure 28 Block diagram of CGU including Clock Watchdogs

8.3.1.1 Functional Description of Clock Watchdog Module

The clock watchdog module consists of a counter. This counter monitors the number of system clocks within a defined time window. The duration of the time window is defined by a clock (**LP_CLK**), which is independent from the monitored system clock (**MI_CLK**). If the required number of clock cycles is not reached within this time window an clock watchdog NMI will be issued.

In case the clock watchdog NMI will be issued, indicating that the clock is not within the required frequency range, then the user has different options to overcome this situation:

- stay on **mi_clk** but reconfigure PLL to re-gain the required clock frequency. This would be the most time consuming measure to avoid emergency shutdown of the above listed modules.
- switch to divider factors 2, 3 and 4 to try to come back to specified frequency range.
- switch to **LP_CLK**, which also can be divided by factor 2, 3 and 4. This is the fastest option which allows the user to operate with a well defined backup clock rate. After this has been done the user can start investigating the rootcause of the issued clock watchdog NMI, while operating on **LP_CLK**.

The register chapter below includes all necessary flags for setting up the analog module clock and monitoring its status during operation.

8.3.2 Clock Generation Unit Register

The analog module clock generation unit is fully controllable by the register described in this chapter.

[Table 38](#) shows the module base addresses.

Table 38 Register Address Space

Module	Base Address	End Address	Note
SCUPM	50006000 _H	50006FFF _H	SCU_PM

Table 39 Register Overview

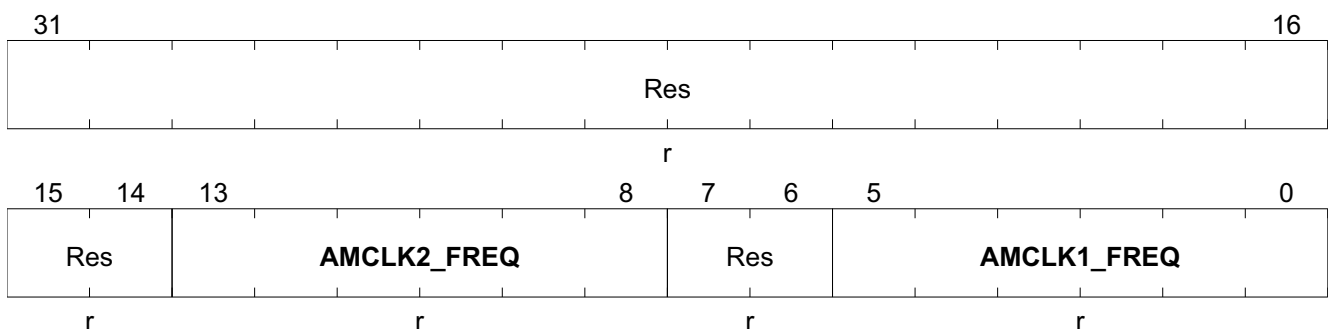
Register Short Name	Register Long Name	Offset Address	Reset Value
Clock Generation Unit Register			
AMCLK_FREQ_STS	Analog Module Clock Frequency Status Register	00 _H	00xx xxxx 00xx xxxx _B
AMCLK_CTRL	Analog Module Clock Control Register	04 _H	0000 0001 _H
AMCLK_TH_HYS	Analog Module Clock Limit Register	0C _H	D4E1 94B3 _H
STCALIB	System Tick Calibration Register	6C _H	0000 0000 _H

The registers are addressed wordwise.

Analog Clock Frequency Status Register

The register is reset by RESET_TYPE_4.

AMCLK_FREQ_STS	Offset	Reset Value
Analog Module Clock Frequency Status Register	00 _H	00xx xxxx 00xx xxxx _B



Field	Bits	Type	Description
Res	31:16	r	Reserved Always read as 0
Res	15:14	r	Reserved Always read as 0

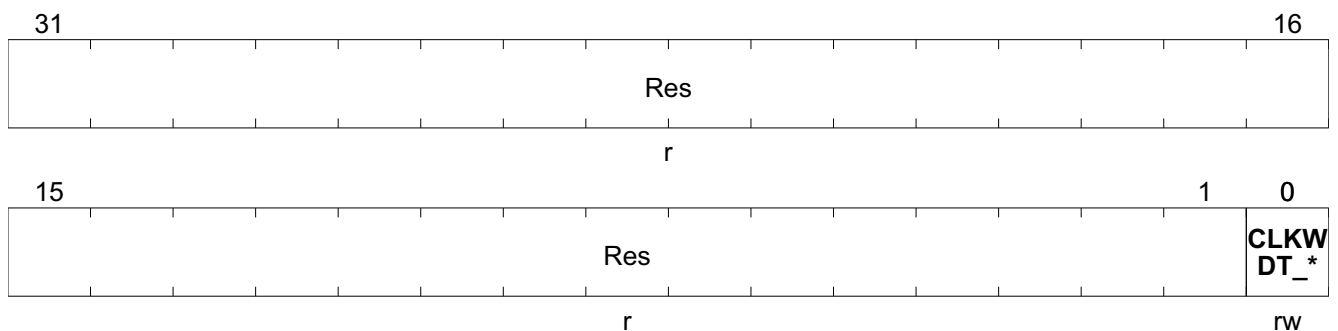
System Control Unit - Power Modules (SCU-PM)

Field	Bits	Type	Description
AMCLK2_FREQ	13:8	r	Current frequency of Analog Module Clock 2 (TFILT_CLK) 0.09375 Mhz * AMCLK2_FREQ
Res	7:6	r	Reserved Always read as 0
AMCLK1_FREQ	5:0	r	Current frequency of Analog Module Clock System Clock (MI_CLK) 0.75 Mhz * AMCLK1_FREQ

Analog Clock Frequency Control Register

The register is reset by RESET_TYPE_4.

AMCLK_CTRL	Offset	Reset Value
Analog Module Clock Control Register	04_H	0000 0001_H



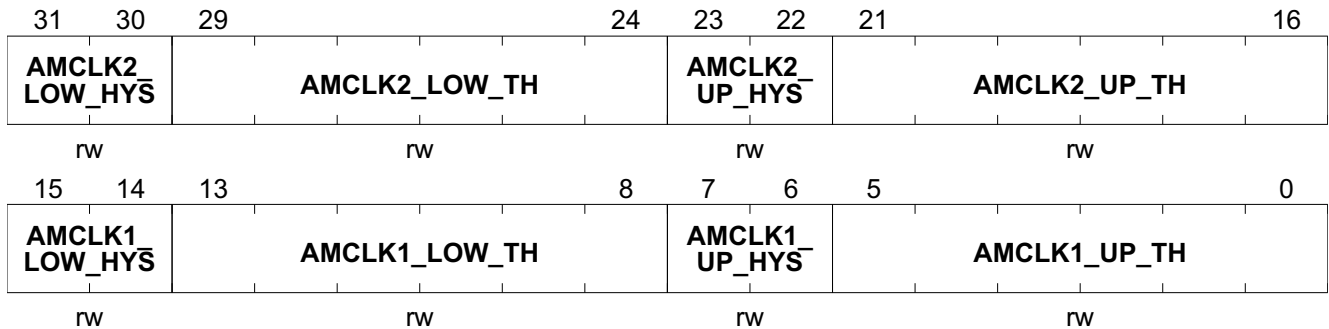
Field	Bits	Type	Description
Res	31:1	r	Reserved Always read as 0
CLKWDT_PD_N	0	rw	Clock Watchdog Powerdown 0 _B DISABLE Clock Watchdog disabled 1 _B ENABLE Clock Watchdog enabled

Analog Module Clock Limit Register

The register is reset by RESET_TYPE_4.

AMCLK_TH_HYS	Offset	Reset Value
Analog Module Clock Limit Register	0C_H	D4E1 94B3_H

System Control Unit - Power Modules (SCU-PM)

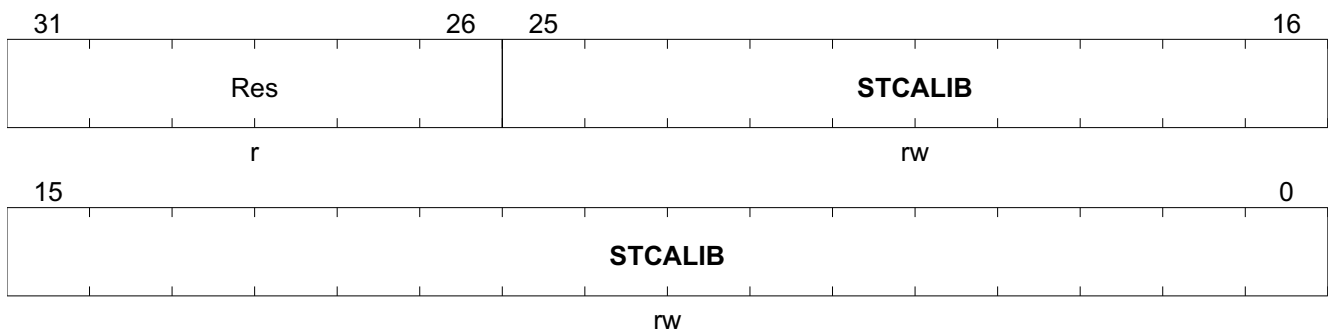


Field	Bits	Type	Description
AMCLK2_LOW_HYS	31:30	rw	Analog Module Clock 2 (TFILT_CLK) Lower Hysteresis
AMCLK2_LOW_TH	29:24	rw	Analog Module Clock 2 (TFILT_CLK) Lower Limit Threshold 0.09375 Mhz * AMCLK2_LOW_TH
AMCLK2_UP_HYS	23:22	rw	Analog Module Clock 2 (TFILT_CLK) Upper Hysteresis
AMCLK2_UP_TH	21:16	rw	Analog Module Clock 2 (TFILT_CLK) Upper Limit Threshold 0.09375 Mhz * AMCLK2_UP_TH
AMCLK1_LOW_HYS	15:14	rw	Analog Module Clock 1 (MI_CLK) Lower Hysteresis
AMCLK1_LOW_TH	13:8	rw	Analog Module Clock 1 (MI_CLK) Lower Limit Threshold 0.75 Mhz * AMCLK1_LOW_TH
AMCLK1_UP_HYS	7:6	rw	Analog Module Clock 1 (MI_CLK) Upper Hysteresis
AMCLK1_UP_TH	5:0	rw	Analog Module Clock 1 (MI_CLK) Upper Limit Threshold 0.75 Mhz * AMCLK1_UP_TH

System Tick Calibration Register

The register is reset by RESET_TYPE_4.

STCALIB	Offset	Reset Value
System Tick Calibration Register	6C _H	0000 0000 _H



System Control Unit - Power Modules (SCU-PM)

Field	Bits	Type	Description
Res	31:26	r	Reserved Always read as 0
STCALIB	25:0	rw	System Tick Calibration [25]: Noref [24] Skew [23:0] Reload value to use for 10ms (100 Hz) timing STCALIB[23:0] = HCLK (in Hz) / 100 Hz - 1, e.g. 0x7A11F

8.4 Interrupt Control Unit (ICU)

The Subblock Interrupt Control Unit (ICU) of the System Control Unit - Power Modules (SCU_PM) is responsible for controlling and generating all analog peripheral relevant interrupts. Those analog interrupts are presented to the NVIC nodes 13-24 and NMI. Those are:

- **PREWARN_SUP_NMI**: combines all supply relevant interrupts to NMI.
- **Analog Module Interrupts**: combines all analog modules related interrupts.

The following two chapters describe the structure of the interrupt nodes.

8.4.1 Structure of PREWARN_SUP_NMI

This interrupt groups all system supply relevant interrupts. They can be divided into two groups:

- **voltages monitored by the Measurement Unit**. The supply voltages VS, VBAT_SENSE, VDDP and VDDC are monitored by the Measurement Unit. The Measurement Unit can be seen as an independent monitoring instance of the PMU, with independent reference voltage and supply voltage.
- **voltages monitored by measurement functions of the PMU**: The PMU itself is checking its output voltages. Here failures due to undervoltage (overload), overvoltage and overcurrent can be detected.

The following figure shows the structure of the **PREWARN_SUP**:

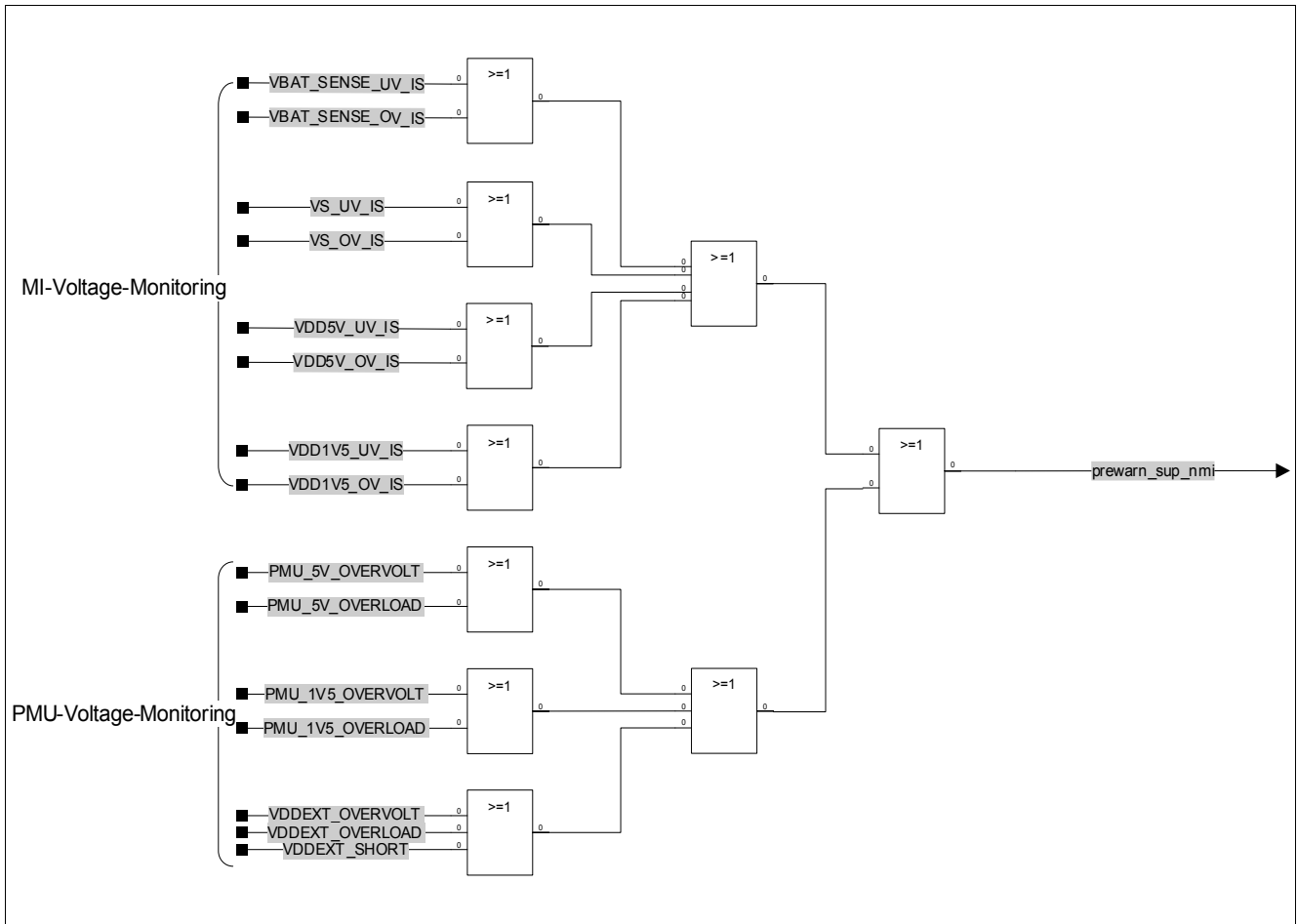


Figure 29 Structure of PREWARN_SUP

All PREWARN_SUP related flags are grouped in register **SYS_SUPPLY_IRQ_STS**. All measurement interface related flags are edge triggered. Therefore each IRQ_STS register has also an STS register where the current supply status can be monitored.

8.4.2 Interrupt Control Unit Status Register

All analog modules interrupt functionality is described in this chapter.

Table 40 Register Overview

Register Short Name	Register Long Name	Offset Address	Reset Value
Interrupt Control Unit Status Register, Interrupt Control Unit Status Overview Register			
SYS_ISCLR	System Interrupt Status Clear	14 _H	0000 0000 _H
SYS_IS	System Interrupt Status	18 _H	0000 0000 _H
SYS_SUPPLY_IRQ_STS	System Supply Interrupt Status	1C _H	0000 0000 _H
SYS_SUPPLY_IRQ_CLR	System Supply Interrupt Status Clear	24 _H	0000 0000 _H
BDRV_ISCLR	Bridge Driver Interrupt Status Clear	54 _H	0000 0000 _H
BDRV_IS	Bridge Driver Interrupt Status	58 _H	0000 0000 _H
Interrupt Control Unit Status Register, Interrupt Control Unit - Interrupt Enable Register			
SYS_SUPPLY_IRQ_CTRL	System Supply Interrupt Control	20 _H	0000 00FF _H
SYS_IRQ_CTRL	System Interrupt Control	28 _H	0000 0000 _H
BDRV_IRQ_CTRL	Bridge Driver Interrupt Control	5C _H	0000 0000 _H

The registers are addressed wordwise.

8.4.2.1 Interrupt Control Unit Status Overview Register

Due to the large variety of diagnosis possibilities of TLE9868QXB20, the system offers several overview registers, to help the user finding the right source of interrupt. Those registers are described in this sub-chapter.

Overview Register, Switches Interrupt Status Register and System Supply Interrupt Status Register

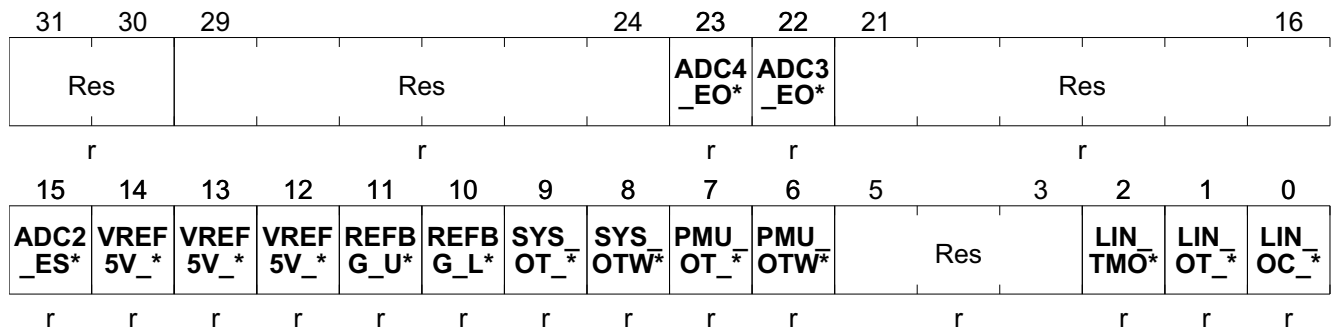
- **SYS_SUPPLY_IRQ_STS**: Flags for Under- and Overvoltage detection for all system relevant supplies. These Interrupts are edge triggered Interrupts.
- **SYS_IS**: Interrupts for Analog Modules.

System Control Unit - Power Modules (SCU-PM)

System Interrupt Status

The register is reset by RESET_TYPE_4.

SYS_IS Offset
System Interrupt Status 18_H Reset Value
0000 0000_H



Field	Bits	Type	Description
Res	31:30	r	Reserved Always read as 0
Res	29:24	r	Reserved Always read as 0
ADC4_EOC_IS	23	r	ADC4 EOC Interrupt Status 0 _B INACTIVE no interrupt status set 1 _B ACTIVE at least one interrupt status set
ADC3_EOC_IS	22	r	ADC3 EOC Interrupt Status 0 _B INACTIVE no interrupt status set 1 _B ACTIVE at least one interrupt status set
Res	21:16	r	Reserved Always read as 0
ADC2_ESM_IS	15	r	ADC2 Exceptional Sequence Measurement Interrupt Status 0 _B INACTIVE no interrupt status set 1 _B ACTIVE at least one interrupt status set
VREF5V_OVL_IS	14	r	VREF5V Overload Interrupt Status 0 _B INACTIVE no interrupt status set 1 _B ACTIVE at least one interrupt status set
VREF5V_UPTH_IS	13	r	VREF5V ADC1 Reference Overvoltage (ADC2, Channel 6) Interrupt Status 0 _B INACTIVE no interrupt status set 1 _B ACTIVE at least one interrupt status set
VREF5V_LOWTH_IS	12	r	VREF5V ADC1 Reference Undervoltage (ADC2, Channel 6) Interrupt Status 0 _B INACTIVE no interrupt status set 1 _B ACTIVE at least one interrupt status set

System Control Unit - Power Modules (SCU-PM)

Field	Bits	Type	Description
REFBG_UPTHWARN_IS	11	r	8-Bit ADC2 Reference Overvoltage (ADC2, Channel 7) interrupt status 0 _B INACTIVE no interrupt status set 1 _B ACTIVE at least one interrupt status set
REFBG_LOTHWARN_IS	10	r	8-Bit ADC2 Reference Undervoltage (ADC2, Channel 7) interrupt status 0 _B INACTIVE no interrupt status set 1 _B ACTIVE at least one interrupt status set
SYS_OT_IS	9	r	System Overtemperature Shutdown (ADC2, Channel 9) interrupt status 0 _B INACTIVE no interrupt status set 1 _B ACTIVE at least one interrupt status set
SYS_OTWARN_IS	8	r	System Overtemperature Prewarning (ADC2, Channel 9) interrupt status 0 _B INACTIVE no interrupt status set 1 _B ACTIVE at least one interrupt status set
PMU_OT_IS	7	r	PMU Regulator Overtemperature Shutdown (ADC2, Channel 9) interrupt status 0 _B INACTIVE no interrupt status set 1 _B ACTIVE at least one interrupt status set
PMU_OTWARN_IS	6	r	PMU Regulator Overtemperature Prewarning (ADC2, Channel 9) interrupt status 0 _B INACTIVE no interrupt status set 1 _B ACTIVE at least one interrupt status set
Res	5:3	r	Reserved Always read as 0
LIN_TMOUT_IS	2	r	LIN TXD timeout 0 _B INACTIVE no interrupt status set 1 _B ACTIVE LIN TXD timeout occurred
LIN_OT_IS	1	r	LIN Overtemperature interrupt status 0 _B INACTIVE no interrupt status set 1 _B ACTIVE LIN Overtemperature occurred
LIN_OC_IS	0	r	LIN Overcurrent interrupt status 0 _B INACTIVE no interrupt status set 1 _B ACTIVE at least one interrupt status set

System Control Unit - Power Modules (SCU-PM)

System Interrupt Status Clear

The register is reset by RESET_TYPE_3.

SYS_ISCLR	Offset	Reset Value
System Interrupt Status Clear	14_H	0000 0000_H

				31	30	29				24	23	22	21					16											
Res				Res			ADC4 _EO*			ADC3 _EO*			Res																
r				r			w			w			r																
15		14		13		12		11		10		9		8		7		6		5		3		2		1		0	
ADC2 _ES*	VREF 5V_*	VREF 5V_*	VREF 5V_*	REFB G_U*	REFB G_L*	SYS_ OT_*	SYS_ OTW*	PMU_ OT_*	PMU_ OTW*	Res			LIN_ TMO*	LIN_ OT_*	LIN_ OC_*														
w	w	w	w	w	w	w	w	w	w	r			w	w	w														

Field	Bits	Type	Description
Res	31:30	r	Reserved Always read as 0
Res	29:24	r	Reserved Always read as 0
ADC4_EOC_ICLR	23	w	ADC4 EOC Interrupt Status 0 _B no operation 1 _B clear status flag
ADC3_EOC_ICLR	22	w	ADC3 EOC Interrupt Status 0 _B no operation 1 _B clear status flag
Res	21:16	r	Reserved Always read as 0
ADC2_ESM_ICLR	15	w	ADC2 Exceptional Sequence Measurement Interrupt Status 0 _B no operation 1 _B clear status flag
VREF5V_OVL_ICLR	14	w	VREF5V Overload Interrupt Status 0 _B no operation 1 _B clear status flag
VREF5V_UPTH_ICLR	13	w	VREF5V ADC1 Reference Overvoltage (ADC2, Channel 6) Interrupt Status 0 _B no operation 1 _B clear status flag
VREF5V_LOWTH_ICLR	12	w	VREF5V ADC1 Reference Undervoltage (ADC2, Channel 6) Interrupt Status 0 _B no operation 1 _B clear status flag

System Control Unit - Power Modules (SCU-PM)

Field	Bits	Type	Description
REFBG_UPTHWARN_ICLR	11	w	8-Bit ADC2 Reference Overvoltage (ADC2, Channel 7) interrupt status 0 _B no operation 1 _B clear status flag
REFBG_LOTHWARN_ICLR	10	w	8-Bit ADC2 Reference Undervoltage (ADC2, Channel 7) interrupt status 0 _B no operation 1 _B clear status flag
SYS_OT_ICLR	9	w	System Overtemperature Shutdown (ADC2, Channel 9) interrupt status 0 _B no operation 1 _B clear status flag
SYS_OTWARN_ICLR	8	w	System Overtemperature Prewarning (ADC2, Channel 9) interrupt status 0 _B no operation 1 _B clear status flag
PMU_OT_ICLR	7	w	PMU Regulator Overtemperature Shutdown (ADC2, Channel 9) interrupt status 0 _B no operation 1 _B clear status flag
PMU_OTWARN_ICLR	6	w	PMU Regulator Overtemperature Prewarning (ADC2, Channel 9) interrupt status 0 _B no operation 1 _B clear status flag
Res	5:3	r	Reserved Always read as 0
LIN_TMOUT_ICLR	2	w	LIN TXD timeout 0 _B no operation 1 _B clear status flag
LIN_OT_ICLR	1	w	LIN Overtemperature interrupt status 0 _B no operation 1 _B clear status flag
LIN_OC_ICLR	0	w	LIN Overcurrent interrupt status 0 _B no operation 1 _B clear status flag

System Control Unit - Power Modules (SCU-PM)

Bridge Driver Interrupt Status

The register is reset by RESET_TYPE_4.

BDRV_IS Offset
Bridge Driver Interrupt Status 58_H Reset Value
0000 0030_H

31			29	28	27	26	25	24	23		21	20	19	18	17	16
Res			VSD UPT*	VSD LOW*	VCP UPT*	VCP LOW*	VCP LOW*	Res			VSD UPT*	VSD LOW*	VCP UPT*	VCP LOW*	VCP LOW*	
r	r	r	r	r	r	r	r	r	r	r	r	r	r	r	r	r
15	14	13	12	11	10	9	Res			6	5	4	3	2	1	0
Res		HS2 OC_*	HS1 OC_*	LS2 OC_*	LS1 OC_*	Res			Res		HS2 DS_*	HS1 DS_*	LS2 DS_*	LS1 DS_*		
r	r	r	r	r	r	r	r	r	r	r	r	r	r	r	r	r

Field	Bits	Type	Description
Res	31:29	r	Reserved Always read as 0
VSD_UPTH_STS	28	r	Warning for VSD Upper Threshold Measurement (ADC2 channel 2) Status 0 _B INACTIVE no overvoltage status set 1 _B ACTIVE overvoltage status set
VSD_LOWTH_STS	27	r	Warning for VSD Lower Threshold Measurement (ADC2 channel 2) Status 0 _B INACTIVE no undervoltage status set 1 _B ACTIVE undervoltage status set
VCP_UPTH_STS	26	r	Warning for VCP Upper Threshold Measurement (ADC2 channel 3) Status 0 _B INACTIVE no overvoltage status set 1 _B ACTIVE overvoltage status set
VCP_LOWTH1_STS	25	r	Warning for VCP Lower Threshold 1 Measurement (ADC2 channel 3) Status 0 _B INACTIVE no undervoltage status set 1 _B ACTIVE undervoltage status set
VCP_LOWTH2_STS	24	r	Warning for VCP Lower Threshold 2 Measurement (VCP_LOW Signal from CP) Status 0 _B INACTIVE no undervoltage status set 1 _B ACTIVE undervoltage status set
Res	23:21	r	Reserved Always read as 0
VSD_UPTH_IS	20	r	Warning for VSD Upper Threshold Measurement (ADC2 channel 2) Interrupt Status 0 _B INACTIVE no interrupt status set 1 _B ACTIVE interrupt status set

System Control Unit - Power Modules (SCU-PM)

Field	Bits	Type	Description
VSD_LOWTH_IS	19	r	Warning for VSD Lower Threshold Measurement (ADC2 channel 2) Interrupt Status 0 _B INACTIVE no interrupt status set 1 _B ACTIVE interrupt status set
VCP_UPTH_IS	18	r	Warning for VCP Upper Threshold Measurement (ADC2 channel 3) Interrupt Status 0 _B INACTIVE no interrupt status set 1 _B ACTIVE interrupt status set
VCP_LOWTH1_IS	17	r	Warning for VCP Lower Threshold 1 Measurement (ADC2 channel 3) Interrupt Status 0 _B INACTIVE no interrupt status set 1 _B ACTIVE interrupt status set
VCP_LOWTH2_IS	16	r	Warning for VCP Lower Threshold 2 Measurement (VCP_LOW Signal from CP) Interrupt Status 0 _B INACTIVE no interrupt status set 1 _B ACTIVE interrupt status set
Res	15:14	r	Reserved Always read as 0
HS2_OC_IS	13	r	External High Side 2 FET Over-current Status 0 _B INACTIVE no interrupt status set. 1 _B ACTIVE at least one interrupt status set.
HS1_OC_IS	12	r	External High 1 FET Over-current Status 0 _B INACTIVE no interrupt status set. 1 _B ACTIVE at least one interrupt status set.
LS2_OC_IS	11	r	External Low Side 2 FET Over-current Status 0 _B INACTIVE no interrupt status set. 1 _B ACTIVE at least one interrupt status set.
LS1_OC_IS	10	r	External Low Side 1 FET Over-current Status 0 _B INACTIVE no interrupt status set. 1 _B ACTIVE at least one interrupt status set.
Res	9:6	r	Reserved Always read as 0
Res	5:4	r	Reserved Always read as 0b11
HS2_DS_IS	3	r	Bridge Driver High Side 2 Pre-Driver short Interrupt Status 0 _B INACTIVE no interrupt status set 1 _B ACTIVE interrupt status set
HS1_DS_IS	2	r	Bridge Driver High Side 1 Pre-Driver short Interrupt Status 0 _B INACTIVE no interrupt status set 1 _B ACTIVE interrupt status set
LS2_DS_IS	1	r	Bridge Driver Low Side 2 Pre-Driver short Interrupt Status 0 _B INACTIVE no interrupt status set 1 _B ACTIVE interrupt status set
LS1_DS_IS	0	r	Bridge Driver Low Side 1 Pre-Driver short Interrupt Status 0 _B INACTIVE no interrupt status set 1 _B ACTIVE interrupt status set

Bridge Driver Interrupt Status Clear

The register is reset by RESET_TYPE_3.

BDRV_ISCLR Offset
Bridge Driver Interrupt Status Clear 54_H Reset Value
0000 0000_H

31	29	28	27	26	25	24	23	21	20	19	18	17	16
Res		VSD UPT*	VSD LOW*	VCP UPT*	VCP LOW*	VCP LOW*	Res		VSD UPT*	VSD LOW*	VCP UPT*	VCP LOW*	VCP LOW*
r		w	w	w	w	w	r		w	w	w	w	w
15	14	13	12	11	10	9	6	5	4	3	2	1	0
Res		HS2 OC_*	HS1 OC_*	LS2 OC_*	LS1 OC_*	Res		Res		HS2 DS_*	HS1 DS_*	LS2 DS_*	LS1 DS_*
r		w	w	w	w	r		r		w	w	w	w

Field	Bits	Type	Description
Res	31:29	r	Reserved Always read as 0
VSD_UPTH_SCLR	28	w	Warning for VSD Upper Threshold Measurement (ADC2 channel 2) Status 0 _B no operation 1 _B clear status flag
VSD_LOWTH_SCLR	27	w	Warning for VSD Lower Threshold Measurement (ADC2 channel 2) Status 0 _B no operation 1 _B clear status flag
VCP_UPTH_SCLR	26	w	Warning for VCP Upper Threshold Measurement (ADC2 channel 3) Status 0 _B no operation 1 _B clear status flag
VCP_LOWTH1_SCLR	25	w	Warning for VCP Lower Threshold 1 Measurement (ADC2 channel 3) Status 0 _B no operation 1 _B clear status flag
VCP_LOWTH2_SCLR	24	w	Warning for VCP Lower Threshold 2 Measurement (VCP_LOW Signal from CP) Status 0 _B no operation 1 _B clear status flag
Res	23:21	r	Reserved Always read as 0
VSD_UPTH_ICLR	20	w	Warning for VSD Upper Threshold Measurement (ADC2 channel 2) Interrupt Status 0 _B no operation 1 _B clear status flag

System Control Unit - Power Modules (SCU-PM)

Field	Bits	Type	Description
VSD_LOWTH_ICLR	19	w	Warning for VSD Lower Threshold Measurement (ADC2 channel 2) Interrupt Status 0 _B no operation 1 _B clear status flag
VCP_UPTH_ICLR	18	w	Warning for VCP Upper Threshold Measurement (ADC2 channel 3) Interrupt Status 0 _B no operation 1 _B clear status flag
VCP_LOWTH1_ICLR	17	w	Warning for VCP Lower Threshold 1 Measurement (ADC2 channel 3) Interrupt Status 0 _B no operation 1 _B clear status flag
VCP_LOWTH2_ICLR	16	w	Warning for VCP Lower Threshold 2 Measurement (VCP_LOW Signal from CP) Interrupt Status 0 _B no operation 1 _B clear status flag
Res	15:14	r	Reserved Always read as 0
HS2_OC_ICLR	13	w	External High Side 2 FET Over-current Status 0 _B no operation 1 _B clear status flag
HS1_OC_ICLR	12	w	External High 1 FET Over-current Status 0 _B no operation 1 _B clear status flag
LS2_OC_ICLR	11	w	External Low Side 2 FET Over-current Status 0 _B no operation 1 _B clear status flag
LS1_OC_ICLR	10	w	External Low Side 1 FET Over-current Status 0 _B no operation 1 _B clear status flag
Res	9:6	r	Reserved Always read as 0
Res	5:4	r	Reserved Always read as 0
HS2_DS_ICLR	3	w	Bridge Driver High Side 2 Pre-Driver short Interrupt Status 0 _B no operation 1 _B clear status flag
HS1_DS_ICLR	2	w	Bridge Driver High Side 1 Pre-Driver short Interrupt Status 0 _B no operation 1 _B clear status flag
LS2_DS_ICLR	1	w	Bridge Driver Low Side 2 Pre-Driver short Interrupt Status 0 _B no operation 1 _B clear status flag
LS1_DS_ICLR	0	w	Bridge Driver Low Side 1 Pre-Driver short Interrupt Status 0 _B no operation 1 _B clear status flag

System Supply Interrupt Status

The register is reset by RESET_TYPE_4.

SYS_SUPPLY_IRQ_STS	Offset	Reset Value
System Supply Interrupt Status	1C_H	0000 0000_H

31	24	23	22	21	20	19	18	17	16
Res		VDD1	VDD5	VS_O	VBAT	VDD1	VDD5	VS_U	VBAT
		V5_*	V_O*	V_S*	_OV*	V5_*	V_U*	V_S*	_UV*
r		r	r	r	r	r	r	r	r
15	8	7	6	5	4	3	2	1	0
Res		VDD1	VDD5	VS_O	VBAT	VDD1	VDD5	VS_U	VBAT
		V5_*	V_O*	V_IS	_OV*	V5_*	V_U*	V_IS	_UV*
r		r	r	r	r	r	r	r	r

Field	Bits	Type	Description
Res	31:24	r	Reserved Always read as 0
VDD1V5_OV_STS	23	r	VDDC Overvoltage (ADC2 channel 8) Status 0 _B No Overvoltage occurred 1 _B Overvoltage occurred
VDD5V_OV_STS	22	r	VDDP Overvoltage (ADC2 channel 5) Status 0 _B No Overvoltage occurred 1 _B Overvoltage occurred
VS_OV_STS	21	r	VS Overvoltage (ADC2 channel 1) Status 0 _B No Overvoltage occurred 1 _B Overvoltage occurred
VBAT_OV_STS	20	r	VBAT Overvoltage (ADC2 channel 0) Status 0 _B No Overvoltage occurred 1 _B Overvoltage occurred
VDD1V5_UV_STS	19	r	VDDC Undervoltage (ADC2 channel 8) Status 0 _B No Undervoltage occurred 1 _B Undervoltage occurred
VDD5V_UV_STS	18	r	VDDP Undervoltage (ADC2 channel 5) Status 0 _B No Undervoltage occurred 1 _B Undervoltage occurred
VS_UV_STS	17	r	VS Undervoltage (ADC2 channel 1) Status 0 _B No Undervoltage occurred 1 _B Undervoltage occurred
VBAT_UV_STS	16	r	VBAT Undervoltage (ADC2 channel 0) Status 0 _B No Undervoltage occurred 1 _B Undervoltage occurred
Res	15:8	r	Reserved Always read as 0

System Control Unit - Power Modules (SCU-PM)

Field	Bits	Type	Description
VDD1V5_OV_IS	7	r	VDDC Overvoltage (ADC2 channel 8) Interrupt Status 0 _B No Overvoltage Interrupt occurred 1 _B Overvoltage Interrupt occurred
VDD5V_OV_IS	6	r	VDDP Overvoltage (ADC2 channel 5) Interrupt Status 0 _B No Overvoltage Interrupt occurred 1 _B Overvoltage Interrupt occurred
VS_OV_IS	5	r	VS Overvoltage (ADC2 channel 1) Interrupt Status 0 _B No Overvoltage Interrupt occurred 1 _B Overvoltage Interrupt occurred
VBAT_OV_IS	4	r	VBAT Overvoltage (ADC2 channel 0) Interrupt Status 0 _B No Overvoltage Interrupt occurred 1 _B Overvoltage Interrupt occurred
VDD1V5_UV_IS	3	r	VDDC Undervoltage (ADC2 channel 8) Interrupt Status 0 _B No Undervoltage Interrupt occurred 1 _B Undervoltage Interrupt occurred
VDD5V_UV_IS	2	r	VDDP Undervoltage (ADC2 channel 5) Interrupt Status 0 _B No Undervoltage Interrupt occurred 1 _B Undervoltage Interrupt occurred
VS_UV_IS	1	r	VS Undervoltage (ADC2 channel 1) Interrupt Status 0 _B No Undervoltage Interrupt occurred 1 _B Undervoltage Interrupt occurred
VBAT_UV_IS	0	r	VBAT Undervoltage (ADC2 channel 0) Interrupt Status 0 _B No Undervoltage Interrupt occurred 1 _B Undervoltage Interrupt occurred

System Supply Interrupt Status Clear

The register is reset by RESET_TYPE_4.

SYS_SUPPLY_IRQ_CLR
System Supply Interrupt Status Clear
Offset
24_H
Reset Value
0000 0000_H

31							24	23	22	21	20	19	18	17	16
Res								VDD1 V5_*	VDD5 V_O*	VS_O V_S*	VBAT _OV*	VDD1 V5_*	VDD5 V_U*	VS_U V_S*	VBAT _UV*
r								w	w	w	w	w	w	w	w
15							8	7	6	5	4	3	2	1	0
Res								VDD1 V5_*	VDD5 V_O*	VS_O V_I*	VBAT _OV*	VDD1 V5_*	VDD5 V_U*	VS_U V_I*	VBAT _UV*
r								w	w	w	w	w	w	w	w

Field	Bits	Type	Description
Res	31:24	r	Reserved Always read as 0
VDD1V5_OV_SCLR	23	w	VDDC Overvoltage (ADC2 channel 8) Status Clear 0 _B no operation 1 _B clear status flag
VDD5V_OV_SCLR	22	w	VDDP Overvoltage (ADC2 channel 5) Status Clear 0 _B no operation 1 _B clear status flag
VS_OV_SCLR	21	w	VS Overvoltage (ADC2 channel 1) Status Clear 0 _B no operation 1 _B clear status flag
VBAT_OV_SCLR	20	w	VBAT Overvoltage (ADC2 channel 0) Status Clear 0 _B no operation 1 _B clear status flag
VDD1V5_UV_SCLR	19	w	VDDC Undervoltage (ADC2 channel 8) Status Clear 0 _B no operation 1 _B clear status flag
VDD5V_UV_SCLR	18	w	VDDP Undervoltage (ADC2 channel 5) Status Clear 0 _B no operation 1 _B clear status flag
VS_UV_SCLR	17	w	VS Undervoltage (ADC2 channel 1) Status Clear 0 _B no operation 1 _B clear status flag
VBAT_UV_SCLR	16	w	VBAT Undervoltage (ADC2 channel 0) Status Clear 0 _B no operation 1 _B clear status flag
Res	15:8	r	Reserved Always read as 0

System Control Unit - Power Modules (SCU-PM)

Field	Bits	Type	Description
VDD1V5_OV_ICLR	7	w	VDDC Overvoltage (ADC2 channel 8) Interrupt Status Clear 0 _B no operation 1 _B clear status flag
VDD5V_OV_ICLR	6	w	VDDP Overvoltage (ADC2 channel 5) Interrupt Status Clear 0 _B no operation 1 _B clear status flag
VS_OV_ICLR	5	w	VS Overvoltage (ADC2 channel 1) Interrupt Status Clear 0 _B no operation 1 _B clear status flag
VBAT_OV_ICLR	4	w	VBAT Overvoltage (ADC2 channel 0) Interrupt Status Clear 0 _B no operation 1 _B clear status flag
VDD1V5_UV_ICLR	3	w	VDDC Undervoltage (ADC2 channel 8) Interrupt Status Clear 0 _B no operation 1 _B clear status flag
VDD5V_UV_ICLR	2	w	VDDP Undervoltage (ADC2 channel 5) Interrupt Status Clear 0 _B no operation 1 _B clear status flag
VS_UV_ICLR	1	w	VS Undervoltage (ADC2 channel 1) Interrupt Status Clear 0 _B no operation 1 _B clear status flag
VBAT_UV_ICLR	0	w	VBAT Undervoltage (ADC2 channel 0) Interrupt Status Clear 0 _B no operation 1 _B clear status flag

8.4.2.2 Interrupt Control Unit - Interrupt Enable Register

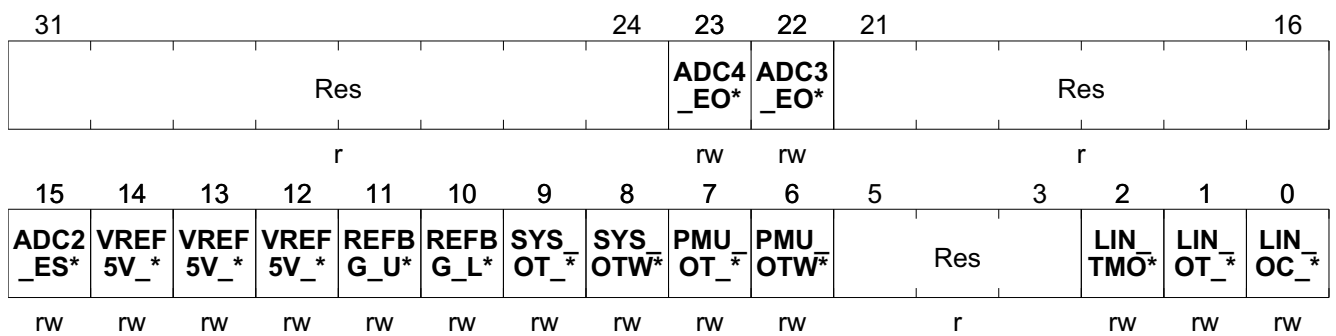
The Analog Module Interrupts can be enabled and disabled by there corresponding enable bits which are located in Registers:

- **SYS_SUPPLY_IRQ_CTRL**: Enable of Interrupts for Under- and Overvoltage detection for all system relevant supplies. These interrupts are edge triggered interrupts to reduce interrupt load of the μ C.
- **SYS_IRQ_CTRL**: Enable of interrupts for Analog Modules.

System Interrupt Control

The register is reset by RESET_TYPE_3.

SYS_IRQ_CTRL	Offset	Reset Value
System Interrupt Control	28_H	0000 0000_H



Field	Bits	Type	Description
Res	31:24	r	Reserved Always read as 0
ADC4_EOC_IE	23	rw	ADC4 EOC Interrupt Enable 0 _B Interrupt is disabled 1 _B Interrupt is enabled
ADC3_EOC_IE	22	rw	ADC3 EOC Interrupt Enable 0 _B Interrupt is disabled 1 _B Interrupt is enabled
Res	21:16	r	Reserved Always read as 0
ADC2_ESM_IE	15	rw	ADC2 Exceptional Sequence Measurement Interrupt Enable 0 _B Interrupt is disabled 1 _B Interrupt is enabled
VREF5V_OVL_IE	14	rw	VREF5V Overload Interrupt Enable 0 _B Interrupt is disabled 1 _B Interrupt is enabled

System Control Unit - Power Modules (SCU-PM)

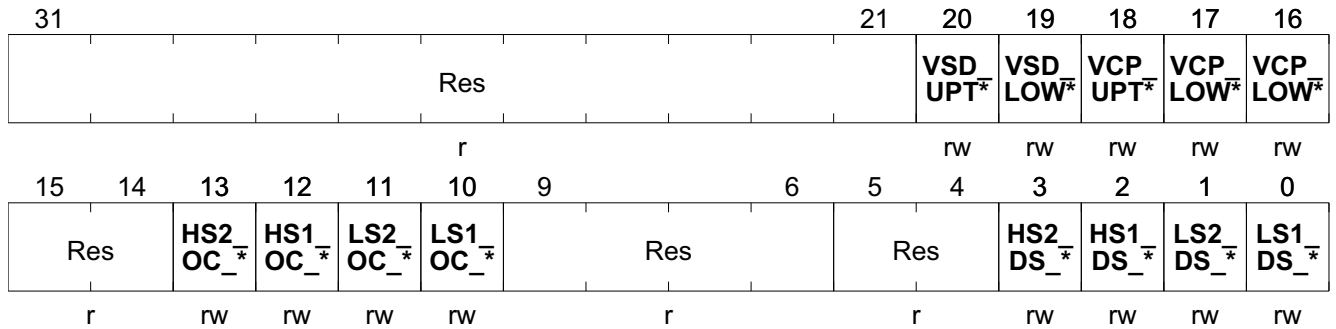
Field	Bits	Type	Description
VREF5V_UPTH_IE	13	rw	VREF5V ADC1 Reference Overvoltage (ADC2, Channel 6) Interrupt Enable 0 _B Interrupt is disabled 1 _B Interrupt is enabled
VREF5V_LOWTH_IE	12	rw	VREF5V ADC1 Reference Undervoltage (ADC2, Channel 6) Interrupt Enable 0 _B Interrupt is disabled 1 _B Interrupt is enabled
REFBG_UPTHWARN_IE	11	rw	Reference Voltage Overvoltage (ADC2 channel 7) Interrupt Enable 0 _B Interrupt is disabled 1 _B Interrupt is enabled
REFBG_LOTHWARN_IE	10	rw	Reference Voltage Undervoltage (ADC2 channel 7) Interrupt Enable 0 _B Interrupt is disabled 1 _B Interrupt is enabled
SYS_OT_IE	9	rw	System Overtemperature Shutdown (ADC2 channel 9) Interrupt Enable (leads to shutdown of System) 0 _B Interrupt is disabled 1 _B Interrupt is enabled
SYS_OTWARN_IE	8	rw	System Overtemperature Warning (ADC2 channel 9) Interrupt Enable 0 _B Interrupt is disabled 1 _B Interrupt is enabled
PMU_OT_IE	7	rw	PMU Regulator Overtemperature Shutdown (ADC2 channel 9) Interrupt Enable (leads to shutdown of System) 0 _B Interrupt is disabled 1 _B Interrupt is enabled
PMU_OTWARN_IE	6	rw	PMU Regulator Overtemperature Warning (ADC2 channel 9) Interrupt Enable 0 _B Interrupt is disabled 1 _B Interrupt is enabled
Res	5:3	r	Reserved Always read as 0
LIN_TMOUT_IE	2	rw	LIN TXD timeout Interrupt Enable 0 _B Interrupt is disabled 1 _B Interrupt is enabled
LIN_OT_IE	1	rw	LIN Overtemperature Interrupt Enable 0 _B Interrupt is disabled 1 _B Interrupt is enabled
LIN_OC_IE	0	rw	LIN Overcurrent Interrupt Enable 0 _B Interrupt is disabled 1 _B Interrupt is enabled

System Control Unit - Power Modules (SCU-PM)

Bridge Driver Interrupt Control

The register is reset by RESET_TYPE_3.

BDRV_IRQ_CTRL Offset
Bridge Driver Interrupt Control 5C_H Reset Value
0000 0000_H



Field	Bits	Type	Description
Res	31:21	r	Reserved Always read as 0
VSD_UPTH_IE	20	rw	VSD Measurement Upper Threshold (ADC2 channel 2) Interrupt Enable 0 _B Interrupt is disabled 1 _B Interrupt is enabled
VSD_LOWTH_IE	19	rw	VSD Measurement Lower Threshold (ADC2 channel 2) Interrupt Enable 0 _B Interrupt is disabled 1 _B Interrupt is enabled
VCP_UPTH_IE	18	rw	VCP Measurement Upper Threshold (ADC2 channel 2) Interrupt Enable 0 _B Interrupt is disabled 1 _B Interrupt is enabled
VCP_LOWTH1_IE	17	rw	VCP Measurement Lower Threshold 1 (ADC2 channel 3) Interrupt Enable 0 _B Interrupt is disabled 1 _B Interrupt is enabled
VCP_LOWTH2_IE	16	rw	VCP Measurement Lower Threshold 2 Interrupt Enable 0 _B Interrupt is disabled 1 _B Interrupt is enabled
Res	15:14	r	Reserved Always read as 0
HS2_OC_IE	13	rw	External High Side 2 FET Over-current Interrupt Enable 0 _B Interrupt is disabled 1 _B Interrupt is enabled
HS1_OC_IE	12	rw	External High Side 1 FET Over-current Interrupt Enable 0 _B Interrupt is disabled 1 _B Interrupt is enabled

System Control Unit - Power Modules (SCU-PM)

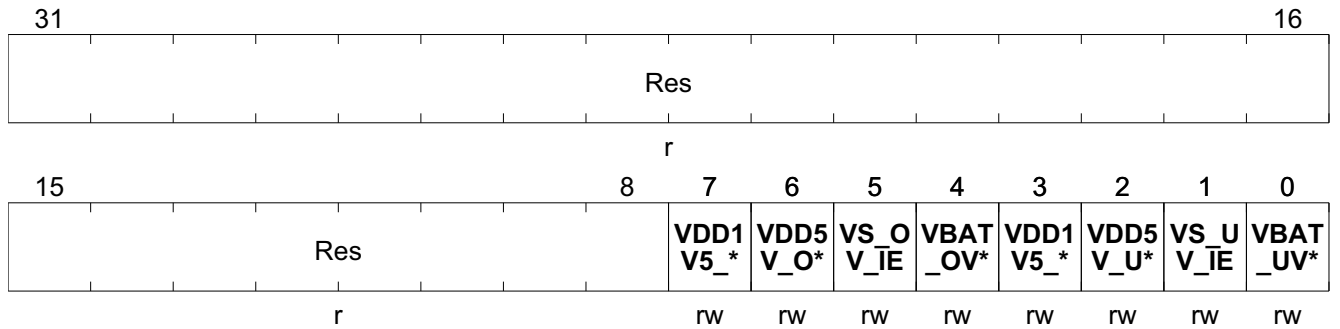
Field	Bits	Type	Description
LS2_OC_IE	11	rw	External Low Side 2 FET Over-current Interrupt Enable 0 _B Interrupt is disabled 1 _B Interrupt is enabled
LS1_OC_IE	10	rw	External Low Side 1 FET Over-current Interrupt Enable 0 _B Interrupt is disabled 1 _B Interrupt is enabled
Res	9:6	r	Reserved
Res	5:4	r	Reserved
HS2_DS_IE	3	rw	Bridge Driver High Side 2 Pre-Driver Short Interrupt Enable 0 _B Interrupt is disabled 1 _B Interrupt is enabled
HS1_DS_IE	2	rw	Bridge Driver High Side 1 Pre-Driver Short Interrupt Enable 0 _B Interrupt is disabled 1 _B Interrupt is enabled
LS2_DS_IE	1	rw	Bridge Driver Low Side 2 Pre-Driver Short Interrupt Enable 0 _B Interrupt is disabled 1 _B Interrupt is enabled
LS1_DS_IE	0	rw	Bridge Driver Low Side 1 Pre-Driver Short Interrupt Enable 0 _B Interrupt is disabled 1 _B Interrupt is enabled

System Control Unit - Power Modules (SCU-PM)

System Supply Interrupt Control

The register is reset by RESET_TYPE_4.

SYS_SUPPLY_IRQ_CTRL	Offset	Reset Value
System Supply Interrupt Control	20_H	0000 00FF_H



Field	Bits	Type	Description
Res	31:8	r	Reserved Always read as 0
VDD1V5_OV_IE	7	rw	VDD1V5 Overvoltage (ADC2 channel 8) Interrupt Enable 0 _B Interrupt is disabled 1 _B Interrupt is enabled
VDD5V_OV_IE	6	rw	VDD5V Overvoltage (ADC2 channel 5) Interrupt Enable 0 _B Interrupt is disabled 1 _B Interrupt is enabled
VS_OV_IE	5	rw	VS Overvoltage (ADC2 channel 1) Interrupt Enable 0 _B Interrupt is disabled 1 _B Interrupt is enabled
VBAT_OV_IE	4	rw	VBAT Overvoltage (ADC2 channel 0) Interrupt Enable 0 _B Interrupt is disabled 1 _B Interrupt is enabled
VDD1V5_UV_IE	3	rw	VDD1V5 Undervoltage (ADC2 channel 8) Interrupt Enable 0 _B Interrupt is disabled 1 _B Interrupt is enabled
VDD5V_UV_IE	2	rw	VDD5V Undervoltage (ADC2 channel 5) Interrupt Enable 0 _B Interrupt is disabled 1 _B Interrupt is enabled
VS_UV_IE	1	rw	VS Undervoltage (ADC2 channel 1) Interrupt Enable 0 _B Interrupt is disabled 1 _B Interrupt is enabled

Field	Bits	Type	Description
VBAT_UV_IE	0	rw	VBAT Undervoltage (ADC2 channel 0) Interrupt Enable 0 _B Interrupt is disabled 1 _B Interrupt is enabled

8.5 Power Control Unit for Power Modules (PCU_PM)

The chapter describes the implementation of the power modules state machine. This state machine is responsible for powering up and powering down the on-board power modules. It takes care about the interaction between the Measurement Unit and the modules which are evaluated by the Unit. The following modules are controlled by this statemachine:

Analog Modules controlled by Power Control Unit:

- Central Reference Voltage Generation
- Central Bias Current Generation
- 8-Bit ADC Core
- Supply Voltage Attenuators
- Monitoring Inputs Voltage Attenuators
- LIN Transceiver
- MOSFET Drivers

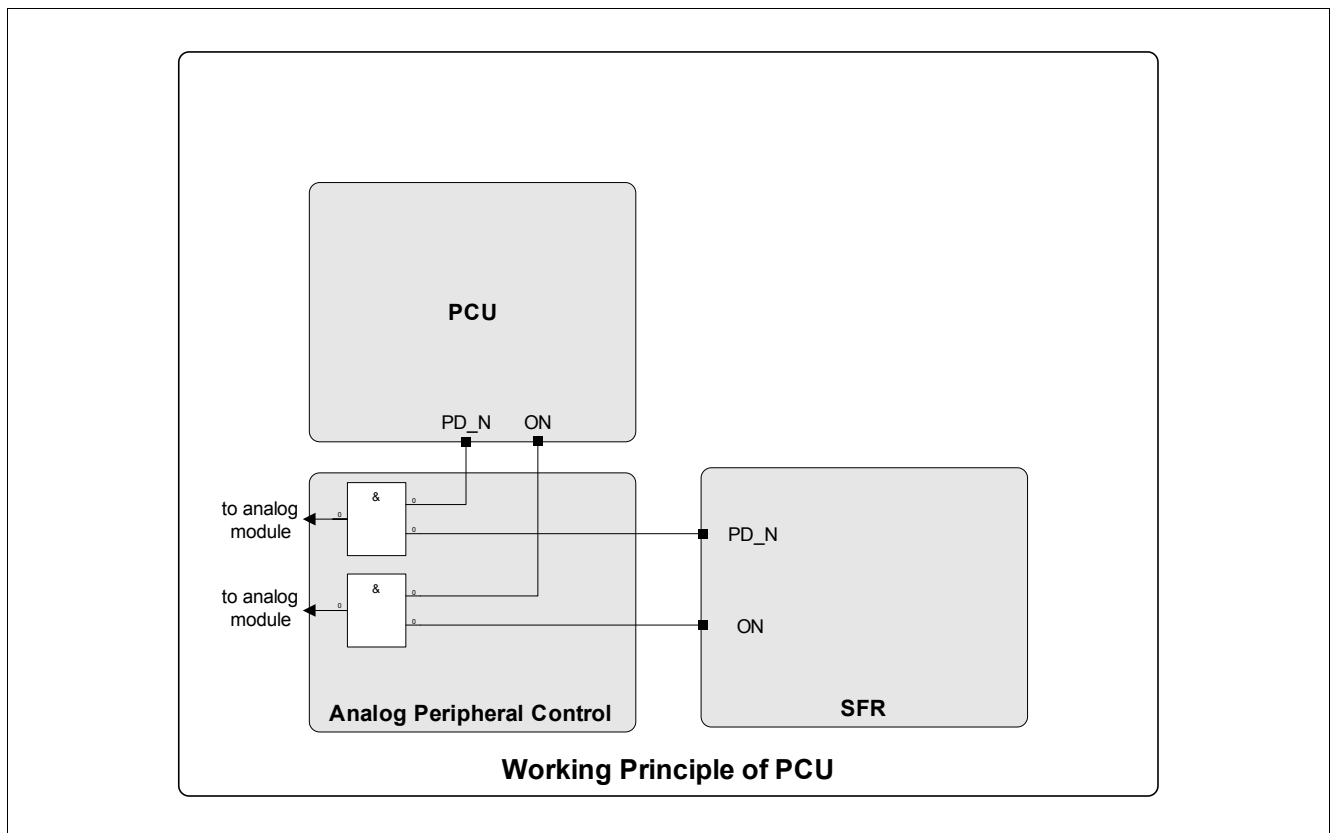


Figure 30 Function of AP_SUB_CTRL

System Control Unit - Power Modules (SCU-PM)

If the device will power up the analog modules statemachine will startup all analog modules. First of all, the reference voltage will be enabled. After that the biasing module will be enabled. If this step is completed the analog modules will be enabled step by step. After this is done the measurement interface will start-up.

The Sleep Mode entry is as well controlled by this state machine. This ensures a smooth shutdown of the modules avoiding disturbances (like load jumps) on the supplies.

The power control unit also handles system failures indicated by the analog measurement interface. They are:

System failures handled by SCU_PM:

- automatic shutdown of power modules in case of VS Overvoltage
- automatic shutdown of power modules in case of System Overtemperature
- automatic shutdown of power modules in case of loss of clock
- automatic shutdown of system in case of System Overtemperature
- automatic shutdown of system in case of internal supply fail
- automatic shutdown of LIN module in case of VS Undervoltage

How to configure this actions on the above described system failures will be described in the following chapters.

8.5.1 VSD-Overvoltage System Shutdown

The PCU provides the possibility of an system shutdown in case of VSD Overvoltage. This feature can be used to reduce power dissipation in case of an increased supply voltage VSD. This feature can be enabled by bit **SYS_VSD_OV_SLM_DIS**. **This bit is low active!**. When there is an overvoltage, the system will be set in System Shutdown and all Power Modules as:

- LIN
- Bridge Driver
- Charge Pump
- Supply Voltage Attenuators

are switched off automatically. The Power Modules will be switched on when the VSD-Overvoltage condition is left again. The figure below shows the principle of the enable bit:

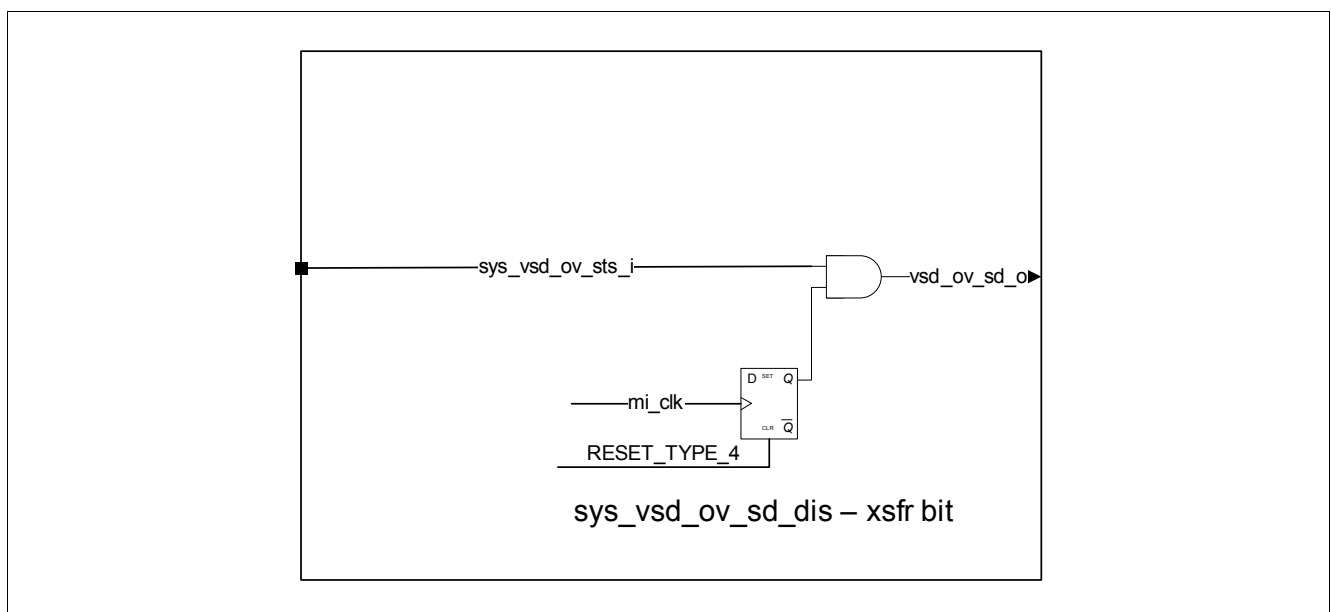


Figure 31 Implementation of Module Shutdown because of VSD Overvoltage

8.5.2 Overtemperature System Shutdown

In case of overtemperature ($T_j > 150\text{ °C}$) the system will be set to Sleep Mode. This functionality is used to protect the system from thermal overstress. One possibility of avoiding this thermal shutdown is to stick to an emergency procedure, which helps to minimize the power dissipation in the system. This routine would require to shutdown all modules which have big contribution to power dissipation (e.g. Bridge Driver). This procedure has to be implemented in user software. Another possibility is to use the implemented hardware shutdown procedure. This procedure can be activated by the flag **SYS_OT_PS_DIS**. **This flag is low active!** When this flag is set all power dissipation contributors will be automatically shutdown.

- Main power dissipation contributors are:
 - Charge Pump
 - Bridge Driver

8.5.3 Power Control Unit Register

The PCU is fully controllable by the below listed SFR Registers.

Table 41 Register Overview

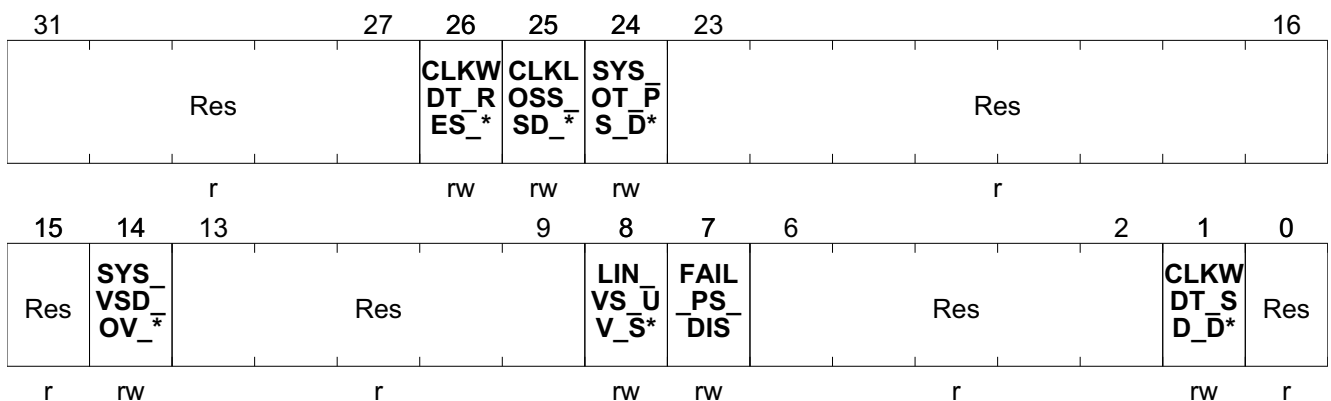
Register Short Name	Register Long Name	Offset Address	Reset Value
Power Control Unit Register			
PCU_CTRL_STS	Power Control Unit Control Status Register	30 _H	06E3 7EF3 _H

The registers are addressed wordwise.

Power Control Unit Register

The register is reset by RESET_TYPE_4.

PCU_CTRL_STS	Offset	Reset Value
Power Control Unit Control Status Register	30_H	06E3 7EF3_H



Field	Bits	Type	Description
Res	31:27	r	Reserved Always read as 0
CLKWDT_RES_SD_D IS	26	rw	Clock Watchdog Reset Disable 0 _B Enable Clock Watchdog Reset Enable 1 _B Disable Clock Watchdog Reset Disable
CLKLOSS_SD_DIS	25	rw	Power Switches Loss of Clock Shutdown Disable (APCLK3) 0 _B Enable Automatic Shutdown Signal for Power Switches in case of loss of clock 1 _B Disable Automatic Shutdown Signal for Power Switches in case of loss of clock

System Control Unit - Power Modules (SCU-PM)

Field	Bits	Type	Description
SYS_OT_PS_DIS	24	rw	System Overtemperature Power Switches Shutdown Disable 0 _B Enable Automatic Shutdown Signal for Power Switches in case of system overtemperature preenable 1 _B Disable Automatic Shutdown Signal for Power Switches in case of system overtemperature enable
Res	23:15	r	Reserved Always read as 0
SYS_VSD_OV_SLM_DIS	14	rw	VSD Overvoltage Shutdown for Peripherals Disable 0 _B Enable Automatic Shutdown for Power modules in case of VSD Overvoltage enabled 1 _B Disable Automatic Shutdown for Power modules in case of VSD Overvoltage disabled
Res	13:9	r	Reserved Always read as 0
LIN_VS_UV_SD_DIS	8	rw	LIN Module VS Undervoltage Transmitter Shutdown 0 _B Enable Automatic Shutdown for Power modules in case of VS Undervoltage enabled 1 _B Disable Automatic Shutdown for Power modules in case of VS Undervoltage disabled
FAIL_PS_DIS	7	rw	Disable LIN, BDRV and CP because of Overtemperature 0 _B Switch off Enabled LIN, BDRV and CP will be turned off when Overtemperature occurs 1 _B Switch off Disabled LIN, BDRV and CP will be kept on when Overtemperature occurs
Res	6:2	r	Reserved Always read as 0
CLKWDT_SD_DIS	1	rw	Power Modules Clock Watchdog Shutdown Disable 0 _B Shutdown Enable Power Devices will be switched off when Clock Watchdog occurs 1 _B Shutdown Disable Power Devices will not be shutdown when Clock Watchdog occurs
Res	0	r	Reserved Always read as 0

8.6 MISC Control

8.6.1 Bus Faults

Due to the pipeline structure of the ARM Cortex M3 core, it is difficult to determine the fault address of a non-existing or protected memory region. For this reason, the following register allows the user to determine the address of the memory access that caused the fault. The registers model the processor's instruction pipeline.

8.6.1.1 Bus Fault Control Register

For the determining the address of a bus fault exception the following registers should be used.

Table 42 Register Overview

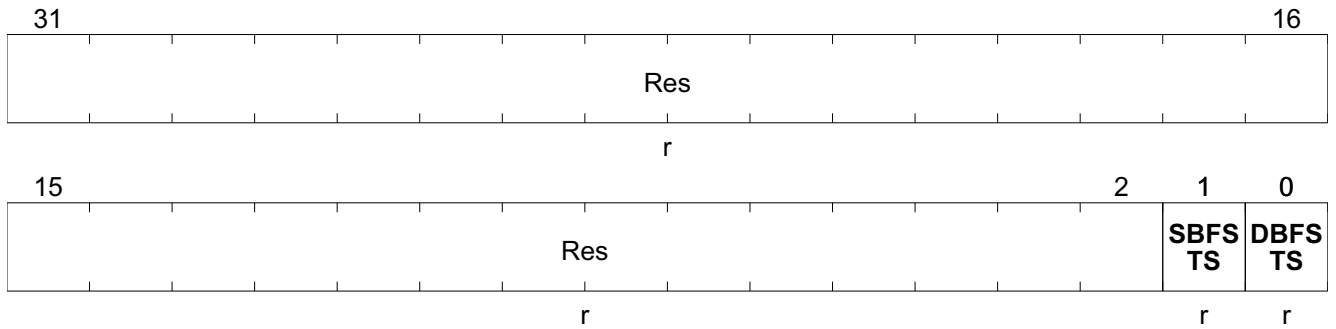
Register Short Name	Register Long Name	Offset Address	Reset Value
Bus Fault Control Register			
BFSTS	Bus Fault Status Register	80 _H	0000 0000 _H
DBFA	Data Bus Fault Address Register	84 _H	xxxx xxxx _H
SBFA	System Bus Fault Address Register	88 _H	xxxx xxxx _H
BFSTS_CLR	Bus Fault Status Clear Register	8C _H	0000 0000 _H

The registers are addressed wordwise.

BUS_FAULT_STATUS

The register is reset by RESET_TYPE_3.

BFSTS	Offset	Reset Value
Bus Fault Status Register	80_H	0000 0000_H



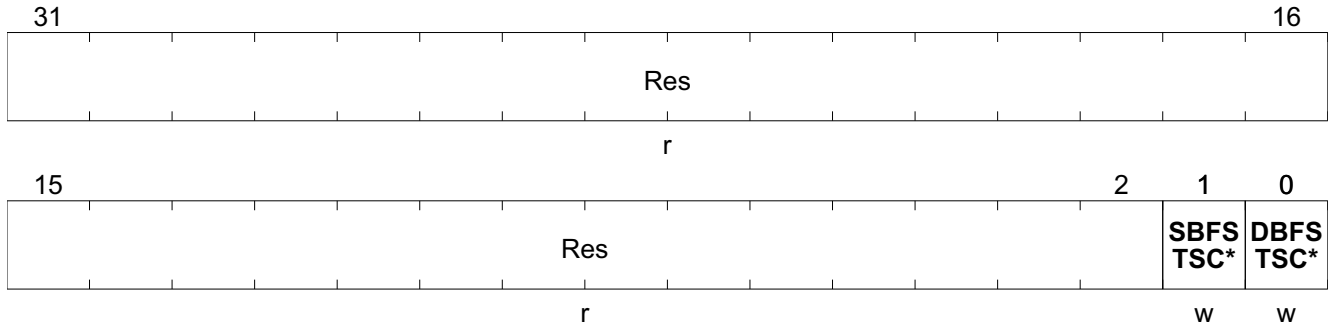
Field	Bits	Type	Description
Res	31:2	r	Reserved Always read as 0
SBFSTS	1	r	System Bus Fault Status Valid Flag Address of System Bus Fault is valid and can be read out of SBFA Register 1 _B Valid Address is valid 0 _B not valid Address is not valid
DBFSTS	0	r	Data Bus Fault Status Valid Flag Address of Data Bus Fault is valid and can be read out of DBFA Register 1 _B Valid Address is valid 0 _B not valid Address is not valid

System Control Unit - Power Modules (SCU-PM)

BUS_FAULT_STATUS_CLEAR

The register is reset by RESET_TYPE_3.

BFSTS_CLR **Offset**
Bus Fault Status Clear Register **8C_H** **Reset Value**
0000 0000_H

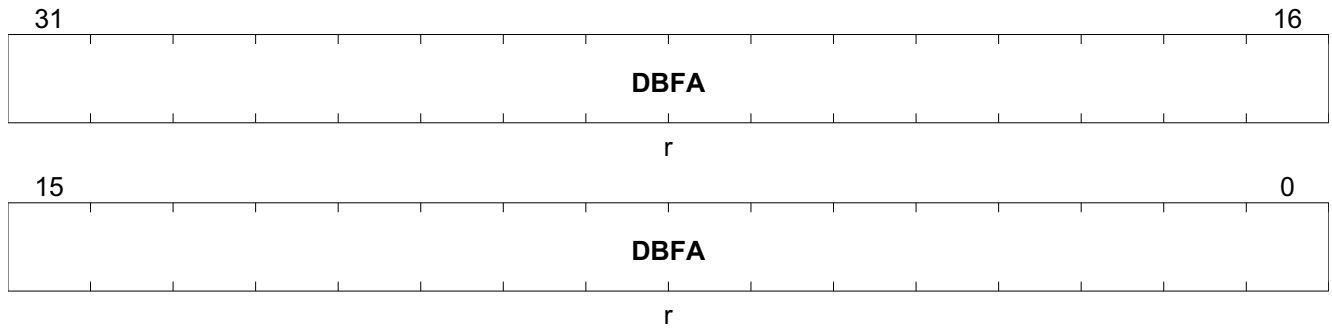


Field	Bits	Type	Description
Res	31:2	r	Reserved Always read as 0
SBFSTSCLR	1	w	System Bus Fault Status Clear Flag System Bus Fault valid flag is cleared. 1 _B Cleared Valid Address is cleared 0 _B not cleared Valid Address is not cleared
DBFSTSCLR	0	w	Data Bus Fault Status Clear Flag Data Bus Fault valid flag is cleared. 1 _B Cleared Address is cleared 0 _B not cleared Address is not cleared

DATA_BUS_FAULT_ADDRESS

The register is reset by RESET_TYPE_3.

DBFA	Offset	Reset Value
Data Bus Fault Address Register	84_H	xxxx xxxx_H

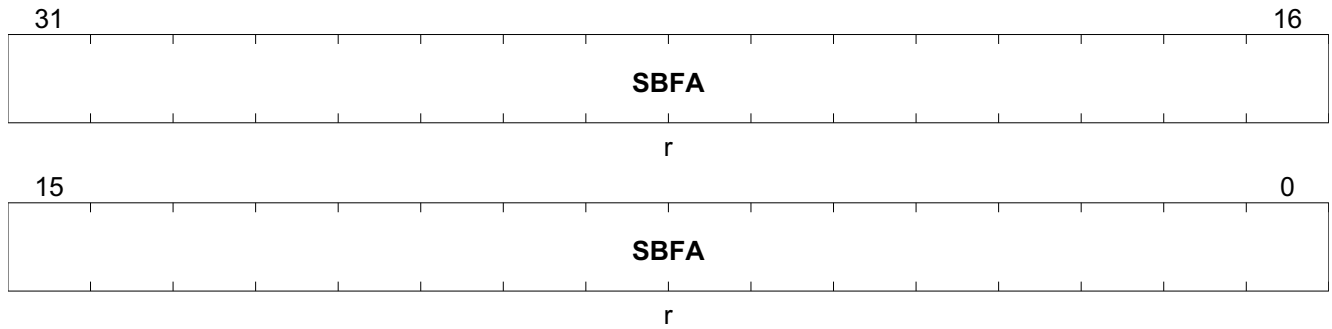


Field	Bits	Type	Description
DBFA	31:0	r	Reserved Always read as 0

SYSTEM_BUS_FAULT_ADDRESS

The register is reset by RESET_TYPE_3.

SBFA	Offset	Reset Value
System Bus Fault Address Register	88_H	xxxx xxxx_H



Field	Bits	Type	Description
SBFA	31:0	r	Reserved Always read as 0

9 ARM Cortex-M3 Core

9.1 Features

The key features of the Cortex-M3 implemented are listed below.

Processor Core; a low gate count core, with low latency interrupt processing:

- A subset of the Thumb[®]-2 Instruction Set
- Banked stack pointer (SP) only
- 32-bit hardware divide instructions, SDIV and UDIV (Thumb-2 instructions)
- Handler and Thread Modes
- Thumb and debug states
- Interruptible-continued instructions LDM/STM, Push/Pop for low interrupt latency
- Automatic processor state saving and restoration for low latency Interrupt Service Routine (ISR) entry and exit
- ARM architecture v7-M Style BE8/LE support
- ARMv6 unaligned accesses

Nested Vectored Interrupt Controller (NVIC) closely integrated with the processor core to achieve low latency interrupt processing:

- Interrupts, configurable from 1 to 16
- Bits of priority (4)
- Dynamic reprioritization of interrupts
- Priority grouping. This enables selection of preemptive interrupt levels and non-preemptive interrupt levels
- Support for tail-chaining and late arrival of interrupts. This enables back-to-back interrupt processing without the overhead of state saving and restoration between interrupts.
- Processor state automatically saved on interrupt entry, and restored on interrupt exit, with no instruction overhead

Bus interfaces

- Advanced High-performance Bus-Lite (AHB-Lite) interfaces: ICode, DCode, and System bus interface
- Memory access alignment
- Write buffer for buffering of write data

9.2 Introduction

The ARM Cortex-M3 processor is a leading 32-bit processor and provides a high-performance and cost-optimized platform for a broad range of applications including microcontrollers, automotive body systems and industrial control systems. Like the other Cortex family processors, the Cortex-M3 processor implements the Thumb®-2 instruction set architecture. With the optimized feature set the Cortex-M3 delivers 32-bit performance in an application space that is usually associated with 8- and 16-bit microcontrollers.

9.2.1 Block Diagram

Figure 32 shows the functional blocks of the Cortex-M3.

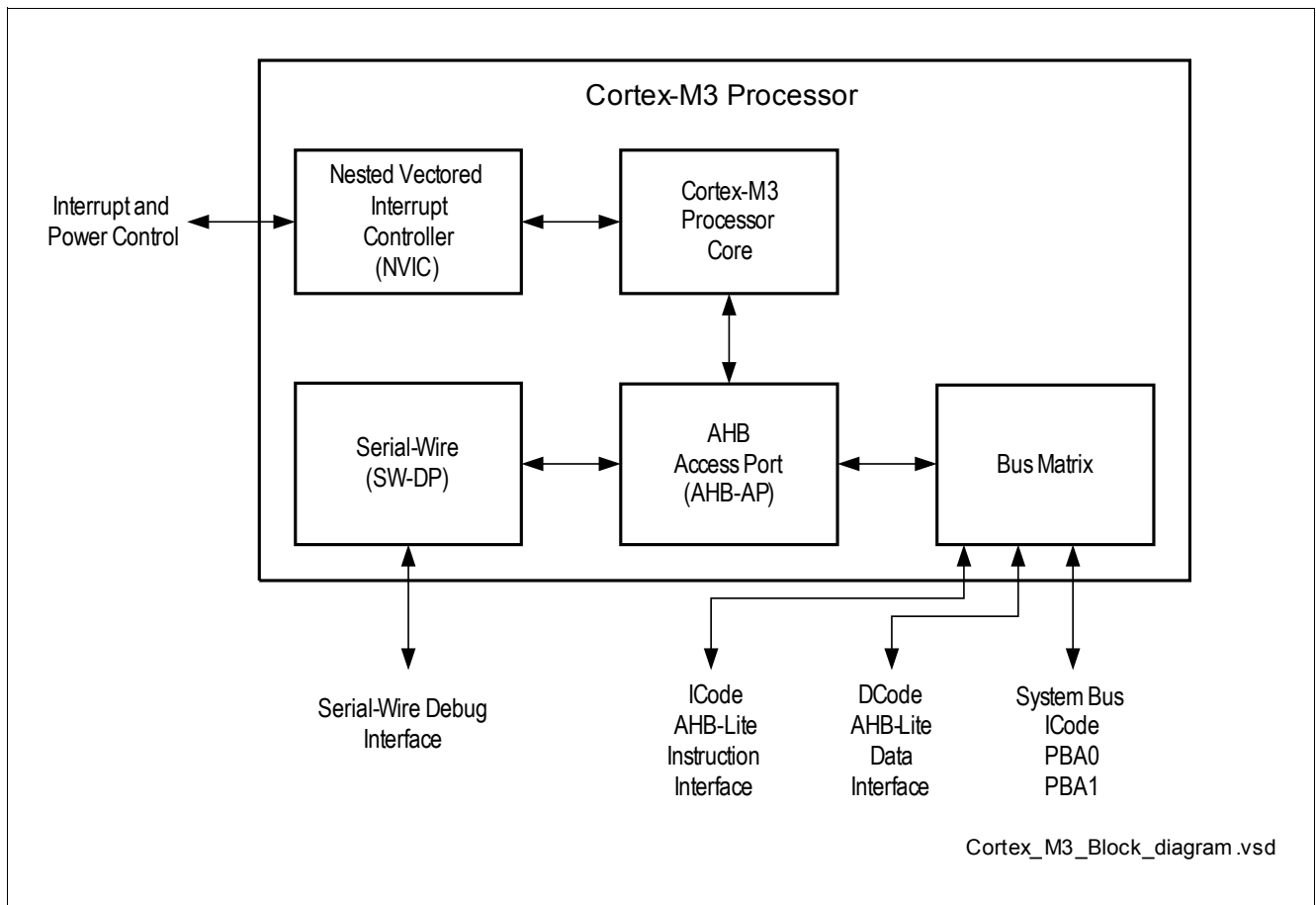


Figure 32 Cortex-M3 Block Diagram

9.3 Functional Description

9.3.1 Registers

The processor has the following 32-bit registers:

- 13 general-purpose registers, R0-R12
- Stack pointer (SP), R13 alias of banked registers, SP_process and SP_main
- Link register (LR), R14
- Program counter (PC), R15
- Special-purpose program status registers (xPSR)

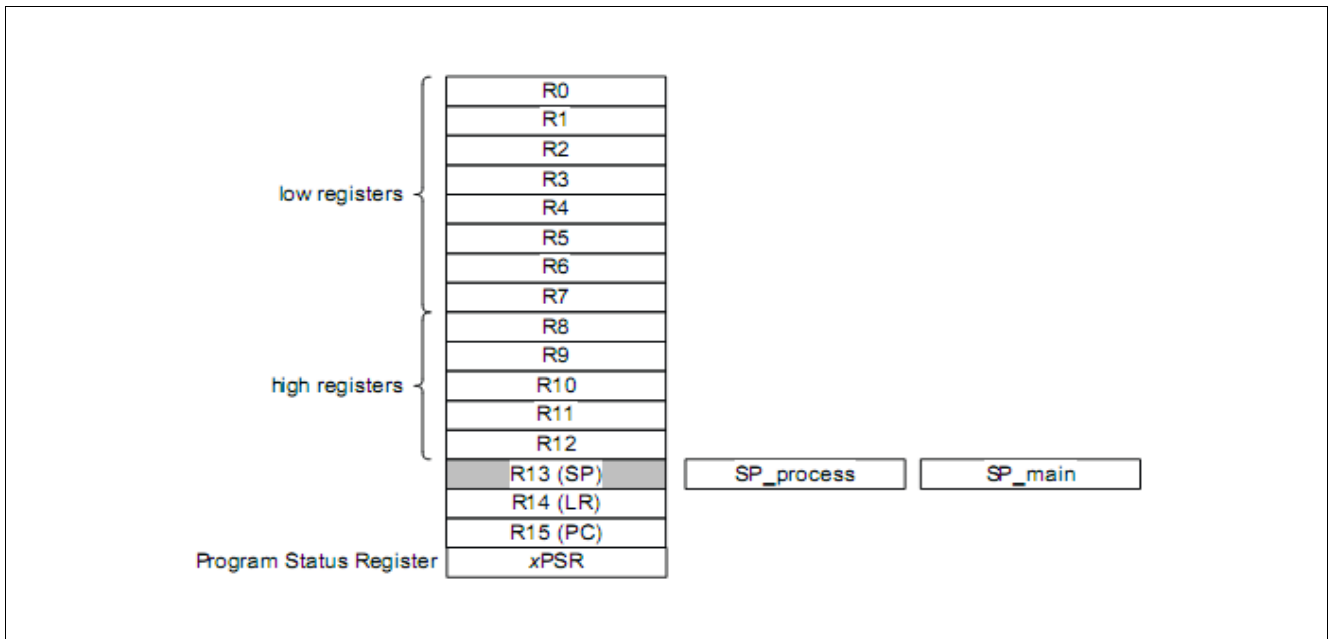


Figure 33 Processor Register Set

9.3.1.1 General-Purpose Registers

The general-purpose registers R0-R12 have no special architecturally-defined uses. Most instructions that can specify a general-purpose register can specify R0-R12.

Low Registers

Registers R0-R7 are accessible by all instructions that specify a general-purpose register.

High Registers

Registers R8-R12 are accessible by all 32-bit instructions that specify a general-purpose register.

Registers R8-R12 are not accessible by all 16-bit instructions.

Registers R13, R14, and R15 have the following special functions:

Stack Pointer

Register R13 is used as Stack Pointer (SP).

Link Register

Register R14 is the subroutine Link Register (LR).

Program counter

Register R15 is the Program Counter (PC).

9.3.1.2 Special-Purpose Program Status Registers (xPSR)

Processor status at the system level breaks down into three categories:

- Application PSR
- Interrupt PSR
- Execution PSR

They can be accessed as individual registers, a combination of any two from three, or a combination of all three using the Move to Register from Status (MRS) and MSR instructions.

9.4 Summary of Processor Registers

The processor has the following 32-bit registers that control functionality:

Table 43 Register Address Space for Processor Registers

Module	Base Address	End Address	Note
CPU	E000E000 _H	E000EFFF _H	ARM Cortex-M3 Core SCS (System Control Space), SysTick, NVICProcessor Registers

Table 44 Register Overview

Register Short Name	Register Long Name	Offset Address	Reset Value
Summary of Processor Registers			
ICT	Interrupt Controller Type Register	004 _H	0000 0000 _H
SYSTICK_CS	SysTick Control and Status Register	010 _H	0000 0000 _H
SYSTICK_RL	SysTick Reload Value Register	014 _H	00XX XXXX _H
SYSTICK_CUR	SysTick Current Value Register	018 _H	00XX XXXX _H
SYSTICK_CAL	SysTick Calibration Value Register	01C _H	XX00 0000 XXXX XXXX XXXX XXXX XXXX XXXX _B
NVIC_ISER0	Interrupt Set-Enable	100 _H	0000 0000 _H
NVIC_IPR0	Interrupt Priority	400 _H	0000 0000 _H
NVIC_IPR1	Interrupt Priority	404 _H	0000 0000 _H
NVIC_IPR2	Interrupt Priority	408 _H	0000 0000 _H
NVIC_IPR3	Interrupt Priority	40C _H	0000 0000 _H
NVIC_ICER0	Interrupt Clear-Enable	180 _H	0000 0000 _H
NVIC_ISPR0	Interrupt Set-Pending	200 _H	0000 0000 _H
SHPR2	System Handler Priority Register 2	21C _H	0000 0000 _H
NVIC_ICPR0	Interrupt Clear-Pending	280 _H	0000 0000 _H
NVIC_IABR0	Active Bit Register	300 _H	0000 0000 _H
CPUID	CPU ID Base Register	D00 _H	412F C231 _H
ICSR	Interrupt Control State Register	D04 _H	0000 0000 _H
VTOR	Vector Table Offset Register	D08 _H	0000 0000 _H
AIRCR	Application Interrupt/Reset Control Register	D0C _H	0000 0000 _H
SCR	System Control Register	D10 _H	0000 0000 _H
CCR	Configuration Control Register	D14 _H	0000 0200 _H
SHPR1	System Handler Priority Register 1	D18 _H	0000 0000 _H
SHPR3	System Handler Priority Register 3	D20 _H	0000 0000 _H
SHCSR	System Handler Control and State Register	D24 _H	0000 0000 _H
CFSR	Configurable Fault Status Register	D28 _H	0000 0000 _H
HFSR	Hard Fault Status Register	D2C _H	0000 0000 _H
DFSR	Debug Fault Status Register	D30 _H	0000 0000 _H

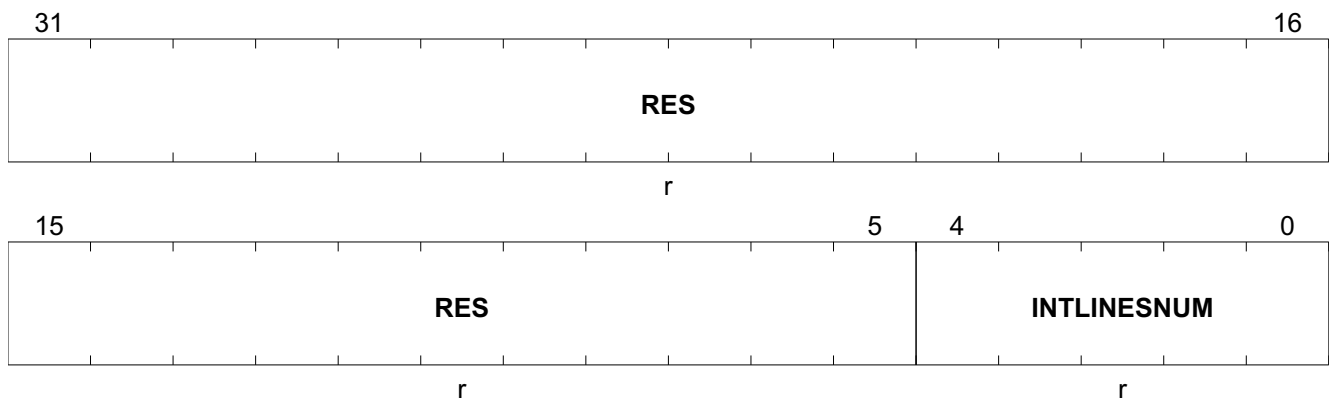
Table 44 Register Overview (cont'd)

Register Short Name	Register Long Name	Offset Address	Reset Value
MMFAR	MemManage Fault Status Register	D34 _H	XXXX XXXX _H
BFAR	Bus Fault Status Register	D38 _H	XXXX XXXX _H
AFSR	Auxiliary Fault Status Register	D3C _H	0000 0000 _H

The registers are addressed wordwise.

Interrupt Controller Type Register

ICT	Offset	Reset Value
Interrupt Controller Type	004_H	0000 0000_H

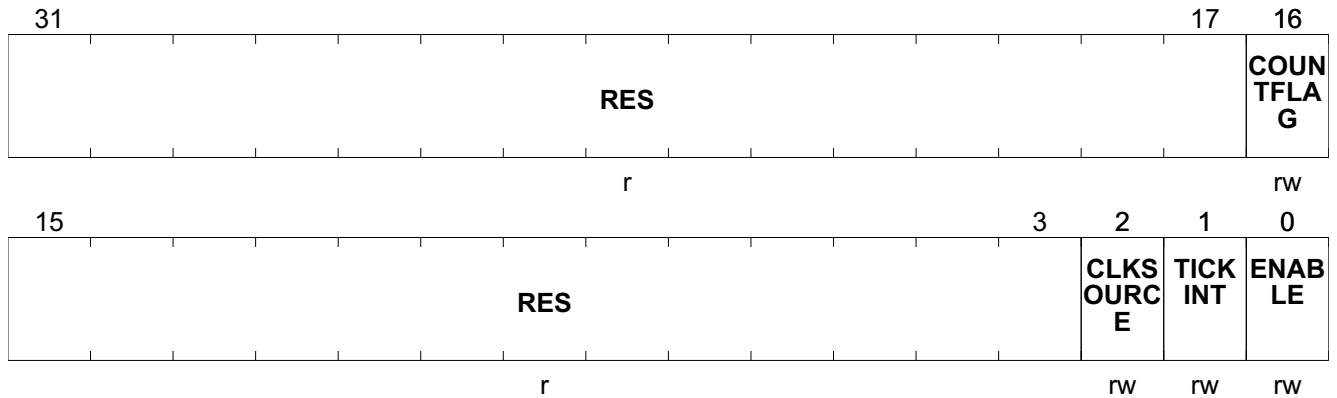


Field	Bits	Type	Description
RES	31:5	r	Reserved
INTLINESNUM	4:0	r	Interrupt Lines Total number of interrupt lines in groups of 32: 00000 _B 0 to 32 ¹⁾ 00001 _B 33 to 64 00010 _B 65 to 95 00011 _B 97 to 128 00100 _B 129 to 160 00101 _B 161 to 192 00110 _B 193 to 224 00111 _B 225 to 256 ¹⁾

1) The processor only supports between 1 and 240 interrupts.

SysTick Control and Status Register

SYSTICK_CS **Offset** **Reset Value**
SysTick Control and Status **010_H** **0000 0000_H**



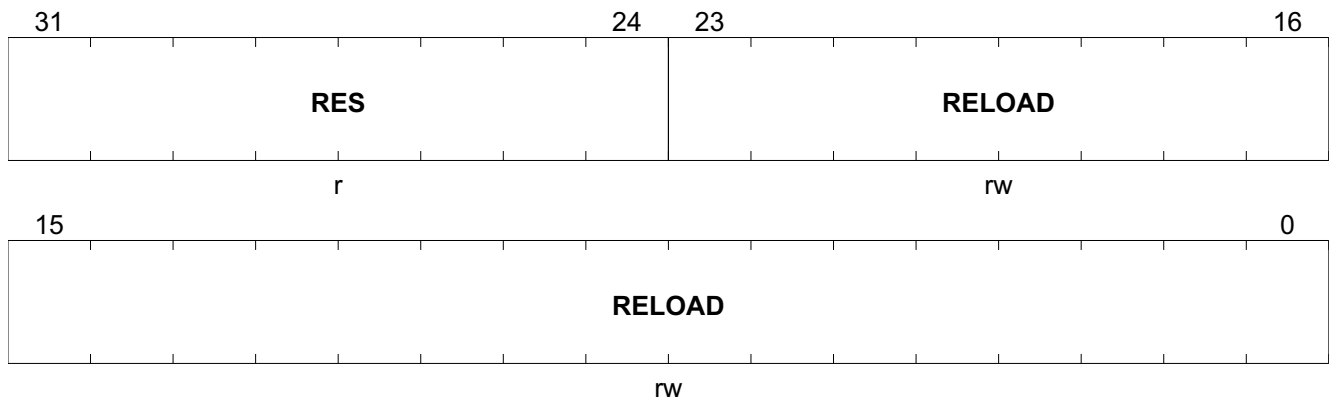
Field	Bits	Type	Description
RES	31:17	r	Reserved
COUNTFLAG	16	rw	Count Flag Returns 1 if timer counted to 0 since last time this was read. Clears on read by application of any part of the SysTick Control and Status Register. If read by the debugger using the SWD, this bit is cleared on read-only if the MasterType bit in the AHB-AP Control Register is set to 0. Otherwise, the COUNTFLAG bit is not changed by the debugger read.
RES	15:3	r	Reserved
CLKSOURCE	2	rw	CLK Source If no reference clock is provided, it is held at 1 and gives the same time as the core clock. The core clock must be at least 2.5 times faster than the reference clock. If it is not, the count values are unpredictable. 0 _B external reference clock (STCLK: 4:1 from f_{sys}) 1 _B core clock (HCLK)
TICKINT	1	rw	TICKINT 0 _B counting down to 0 does not pend the SysTick handler. Software can use the COUNTFLAG to determine if ever counted to 0. 1 _B counting down to 0 pends the SysTick handler.
ENABLE	0	rw	Enable 0 _B counter disabled. 1 _B counter operates in a multi-shot way. That is, counter loads with the Reload value and then begins counting down. On reaching 0, it sets the COUNTFLAG to 1 and optionally pends the SysTick handler, based on TICKINT. It then loads the Reload value again, and begins counting.

SysTick Reload Value Register

SYSTICK_RL
SysTick Reload Value

Offset
014_H

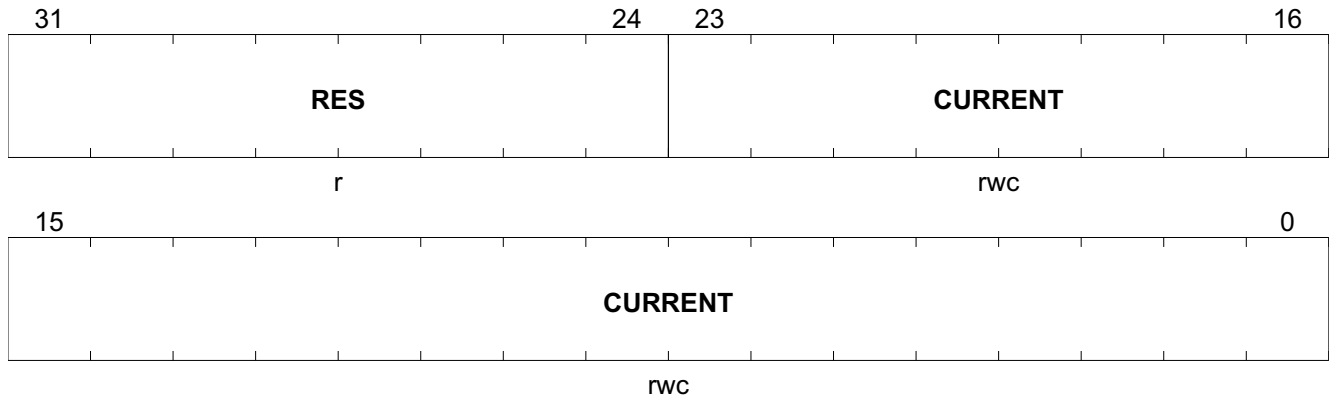
Reset Value
00XX XXXX_H



Field	Bits	Type	Description
RES	31:24	r	Reserved
RELOAD	23:0	rw	Reload Value to load into the SysTick Current Value Register when the counter reaches 0.

SysTick Current Value Registers

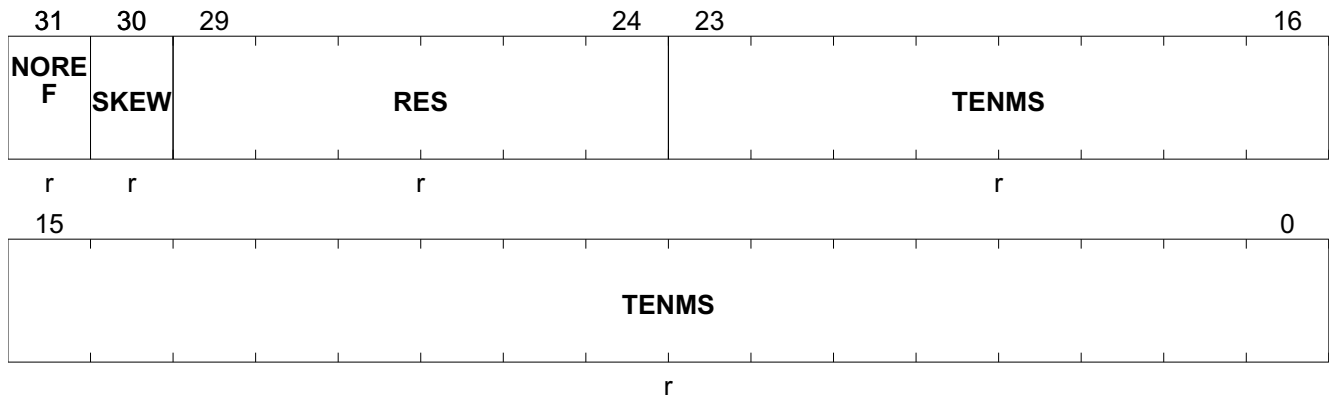
SYSTICK_CUR **Offset** **Reset Value**
SysTick Current Value **018_H** **00XX XXXX_H**



Field	Bits	Type	Description
RES	31:24	r	Reserved
CURRENT	23:0	rwc	Current Current value at the time the register is accessed. No read-modify-write protection is provided, so change with care. This register is write-clear. Writing to it with any value clears the register to 0. Clearing this register also clears the COUNTFLAG bit of the SysTick Control and Status Register.

SysTick Calibration Value Registers

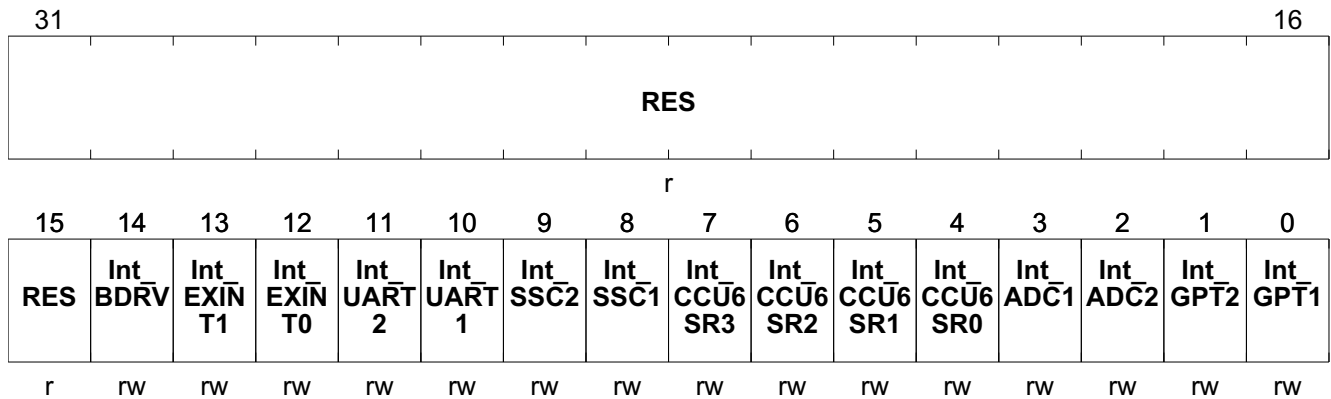
SYSTICK_CAL **Offset**
SysTick Calibration Value **01C_H** **Reset Value**
XX00 0000 XXXX XXXX XXXX XXXX XXXX
XXXX_B



Field	Bits	Type	Description
NOREF	31	r	No Reference Clock 0 _B n.u. 1 _B the reference clock is not provided
SKEW	30	r	Skew 0 _B n.u. 1 _B the calibration value is not exactly 10 ms because of clock frequency. This could affect its suitability as a software real time clock.
RES	29:24	r	Reserved
TENMS	23:0	r	Tenms This value is the Reload value to use for 10ms timing. Depending on the value of SKEW, this might be exactly 10ms or might be the closest value. If this reads as 0, then the calibration value is not known. This is probably because the reference clock is an unknown input from the system or scalable dynamically.

Interrupt Set-Enable Registers

NVIC_ISER0 **Offset**
Interrupt Set-Enable **100_H** **Reset Value**
0000 0000_H

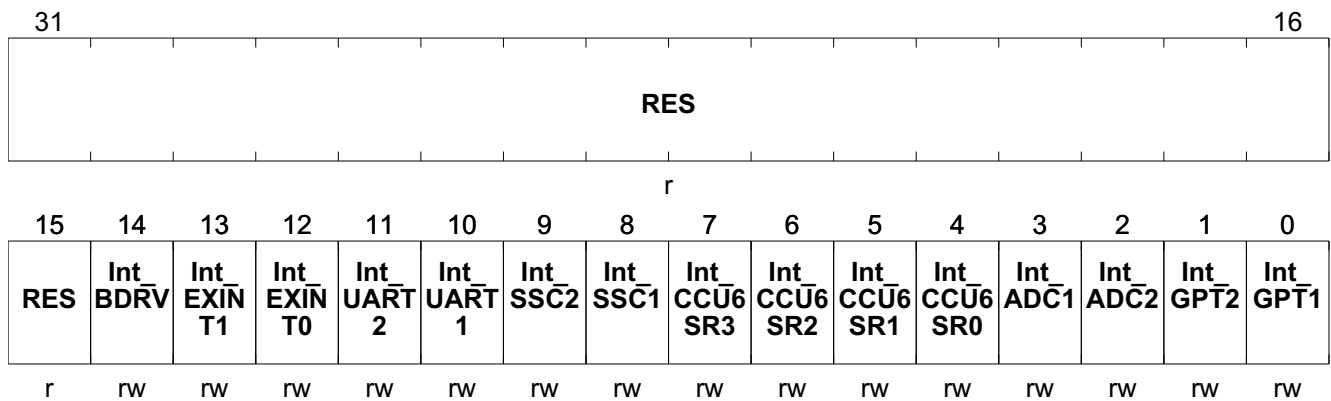


Field	Bits	Type	Description
RES	31:16	r	Reserved
RES	15	r	Reserved
Int_BDRV	14	rw	Interrupt Set for Bridge Driver 0 _B DISABLED no effect on write 1 _B ENABLE enables the associated interrupt
Int_EXINT1	13	rw	Interrupt Set for External Int 1 0 _B DISABLED no effect on write 1 _B ENABLE enables the associated interrupt
Int_EXINT0	12	rw	Interrupt Set for External Int 0 0 _B DISABLED no effect on write 1 _B ENABLE enables the associated interrupt
Int_UART2	11	rw	Interrupt Set for UART2 0 _B DISABLED no effect on write 1 _B ENABLE enables the associated interrupt
Int_UART1	10	rw	Interrupt Set for UART1 0 _B DISABLED no effect on write 1 _B ENABLE enables the associated interrupt
Int_SSC2	9	rw	Interrupt Set for SSC2 0 _B DISABLED no effect on write 1 _B ENABLE enables the associated interrupt
Int_SSC1	8	rw	Interrupt Set for SSC1 0 _B DISABLED no effect on write 1 _B ENABLE enables the associated interrupt
Int_CCU6SR3	7	rw	Interrupt Set for CCU6 SR3 0 _B DISABLED no effect on write 1 _B ENABLE enables the associated interrupt
Int_CCU6SR2	6	rw	Interrupt Set for CCU6 SR2 0 _B DISABLED no effect on write 1 _B ENABLE enables the associated interrupt
Int_CCU6SR1	5	rw	Interrupt Set for CCU6 SR1 0 _B DISABLED no effect on write 1 _B ENABLE enables the associated interrupt

Field	Bits	Type	Description
Int_CCU6SR0	4	rw	Interrupt Set for CCU6 SR0 0 _B DISABLED no effect on write 1 _B ENABLE enables the associated interrupt
Int_ADC1	3	rw	Interrupt Set for ADC1 0 _B DISABLED no effect on write 1 _B ENABLE enables the associated interrupt
Int_ADC2	2	rw	Interrupt Set for MU, ADC2 0 _B DISABLED no effect on write 1 _B ENABLE enables the associated interrupt
Int_GPT2	1	rw	Interrupt Set for GPT2 0 _B DISABLED no effect on write 1 _B ENABLE enables the associated interrupt
Int_GPT1	0	rw	Interrupt Set for GPT1 0 _B DISABLED no effect on write 1 _B ENABLE enables the associated interrupt

Interrupt Clear-Enable Registers

NVIC_ICER0 **Offset**
Interrupt Clear-Enable **180_H** **Reset Value**
0000 0000_H



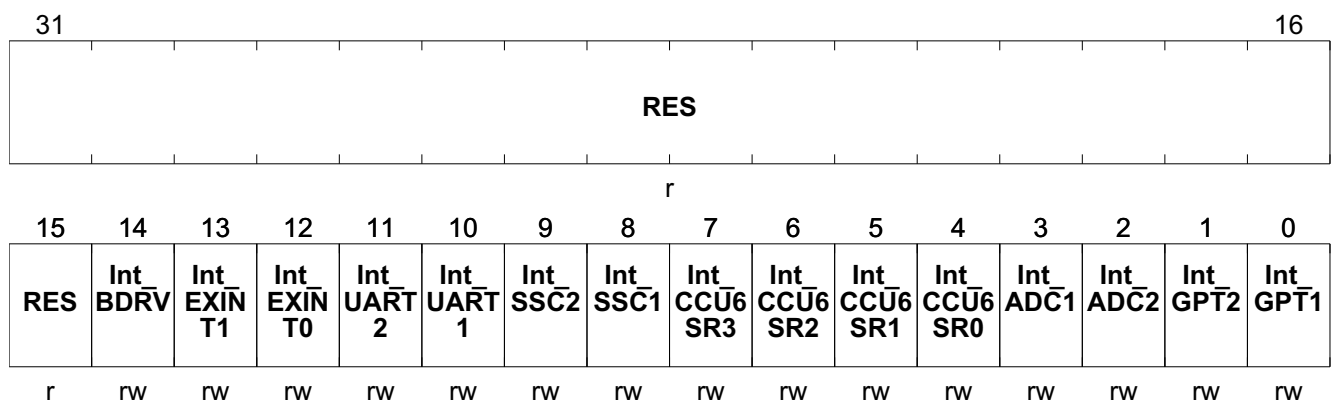
Field	Bits	Type	Description
RES	31:16	r	Reserved
RES	15	r	Reserved
Int_BDRV	14	rw	Interrupt Clear for Bridge Driver 0 _B DISABLE on reads the associated interrupt is disabled, no effect on write 1 _B ENABLE on reads the associated interrupt is enabled, on writes the associated interrupt is disabled

Field	Bits	Type	Description
Int_EXINT1	13	rw	Interrupt Clear for External Int 1 0 _B DISABLE on reads the associated interrupt is disabled, no effect on write 1 _B ENABLE on reads the associated interrupt is enabled, on writes the associated interrupt is disabled
Int_EXINT0	12	rw	Interrupt Clear for External Int 0 0 _B DISABLE on reads the associated interrupt is disabled, no effect on write 1 _B ENABLE on reads the associated interrupt is enabled, on writes the associated interrupt is disabled
Int_UART2	11	rw	Interrupt Clear for UART2 0 _B DISABLE on reads the associated interrupt is disabled, no effect on write 1 _B ENABLE on reads the associated interrupt is enabled, on writes the associated interrupt is disabled
Int_UART1	10	rw	Interrupt Clear for UART1 0 _B DISABLE on reads the associated interrupt is disabled, no effect on write 1 _B ENABLE on reads the associated interrupt is enabled, on writes the associated interrupt is disabled
Int_SSC2	9	rw	Interrupt Clear for SSC2 0 _B DISABLE on reads the associated interrupt is disabled, no effect on write 1 _B ENABLE on reads the associated interrupt is enabled, on writes the associated interrupt is disabled
Int_SSC1	8	rw	Interrupt Clear for SSC1 0 _B DISABLE on reads the associated interrupt is disabled, no effect on write 1 _B ENABLE on reads the associated interrupt is enabled, on writes the associated interrupt is disabled
Int_CCU6SR3	7	rw	Interrupt Clear for CCU6 SR3 0 _B DISABLE on reads the associated interrupt is disabled, no effect on write 1 _B ENABLE on reads the associated interrupt is enabled, on writes the associated interrupt is disabled
Int_CCU6SR2	6	rw	Interrupt Clear for CCU6 SR2 0 _B DISABLE on reads the associated interrupt is disabled, no effect on write 1 _B ENABLE on reads the associated interrupt is enabled, on writes the associated interrupt is disabled
Int_CCU6SR1	5	rw	Interrupt Clear for CCU6 SR1 0 _B DISABLE on reads the associated interrupt is disabled, no effect on write 1 _B ENABLE on reads the associated interrupt is enabled, on writes the associated interrupt is disabled

Field	Bits	Type	Description
Int_CCU6SR0	4	rw	Interrupt Clear for CCU6 SR0 0 _B DISABLE on reads the associated interrupt is disabled, no effect on write 1 _B ENABLE on reads the associated interrupt is enabled, on writes the associated interrupt is disabled
Int_ADC1	3	rw	Interrupt Clear for ADC1 0 _B DISABLE on reads the associated interrupt is disabled, no effect on write 1 _B ENABLE on reads the associated interrupt is enabled, on writes the associated interrupt is disabled
Int_ADC2	2	rw	Interrupt Clear for MU, ADC2 0 _B DISABLE on reads the associated interrupt is disabled, no effect on write 1 _B ENABLE on reads the associated interrupt is enabled, on writes the associated interrupt is disabled
Int_GPT2	1	rw	Interrupt Clear for GPT2 0 _B DISABLE on reads the associated interrupt is disabled, no effect on write 1 _B ENABLE on reads the associated interrupt is enabled, on writes the associated interrupt is disabled
Int_GPT1	0	rw	Interrupt Clear for GPT1 0 _B DISABLE on reads the associated interrupt is disabled, no effect on write 1 _B ENABLE on reads the associated interrupt is enabled, on writes the associated interrupt is disabled

Interrupt Set-Pending Registers

NVIC_ISPR0	Offset	Reset Value
Interrupt Set-Pending	200_H	0000 0000_H

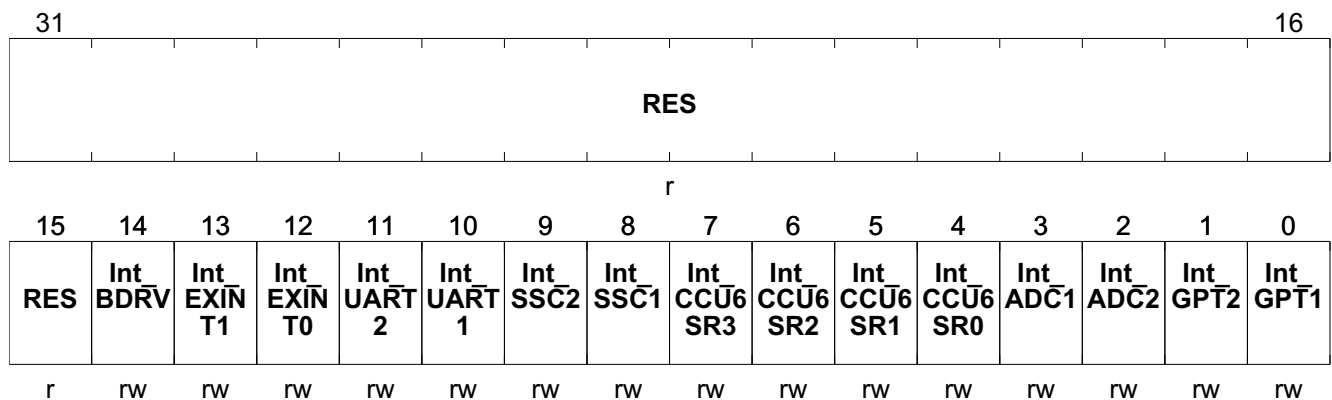


Field	Bits	Type	Description
RES	31:16	r	Reserved
RES	15	r	Reserved
Int_BDRV	14	rw	Interrupt Set Pending for Bridge Driver 0 _B Not Pending on reads the associated interrupt is not pending, no effect on writes 1 _B Pending the associated interrupt is pending
Int_EXINT1	13	rw	Interrupt Set Pending for External Int 1 0 _B Not Pending on reads the associated interrupt is not pending, no effect on writes 1 _B Pending the associated interrupt is pending
Int_EXINT0	12	rw	Interrupt Set Pending for External Int 0 0 _B Not Pending on reads the associated interrupt is not pending, no effect on writes 1 _B Pending the associated interrupt is pending
Int_UART2	11	rw	Interrupt Set Pending for UART2 0 _B Not Pending on reads the associated interrupt is not pending, no effect on writes 1 _B Pending the associated interrupt is pending
Int_UART1	10	rw	Interrupt Set Pending for UART1 0 _B Not Pending on reads the associated interrupt is not pending, no effect on writes 1 _B Pending the associated interrupt is pending
Int_SSC2	9	rw	Interrupt Set Pending for SSC2 0 _B Not Pending on reads the associated interrupt is not pending, no effect on writes 1 _B Pending the associated interrupt is pending
Int_SSC1	8	rw	Interrupt Set Pending for SSC1 0 _B Not Pending on reads the associated interrupt is not pending, no effect on writes 1 _B Pending the associated interrupt is pending
Int_CCU6SR3	7	rw	Interrupt Set Pending for CCU6 SR3 0 _B Not Pending on reads the associated interrupt is not pending, no effect on writes 1 _B Pending the associated interrupt is pending
Int_CCU6SR2	6	rw	Interrupt Set Pending for CCU6 SR2 0 _B Not Pending on reads the associated interrupt is not pending, no effect on writes 1 _B Pending the associated interrupt is pending
Int_CCU6SR1	5	rw	Interrupt Set Pending for CCU6 SR1 0 _B Not Pending on reads the associated interrupt is not pending, no effect on writes 1 _B Pending the associated interrupt is pending

Field	Bits	Type	Description
Int_CCU6SR0	4	rw	Interrupt Set Pending for CCU6 SR0 0_B Not Pending on reads the associated interrupt is not pending, no effect on writes 1_B Pending the associated interrupt is pending
Int_ADC1	3	rw	Interrupt Set Pending for ADC1 0_B Not Pending on reads the associated interrupt is not pending, no effect on writes 1_B Pending the associated interrupt is pending
Int_ADC2	2	rw	Interrupt Set Pending for MU, ADC2 0_B Not Pending on reads the associated interrupt is not pending, no effect on writes 1_B Pending the associated interrupt is pending
Int_GPT2	1	rw	Interrupt Set Pending for GPT2 0_B Not Pending on reads the associated interrupt is not pending, no effect on writes 1_B Pending the associated interrupt is pending
Int_GPT1	0	rw	Interrupt Set Pending for GPT1 0_B Not Pending on reads the associated interrupt is not pending, no effect on writes 1_B Pending the associated interrupt is pending

Interrupt Clear-Pending Registers

NVIC_ICPR0 **Offset**
Interrupt Clear-Pending **280_H** **Reset Value**
0000 0000_H



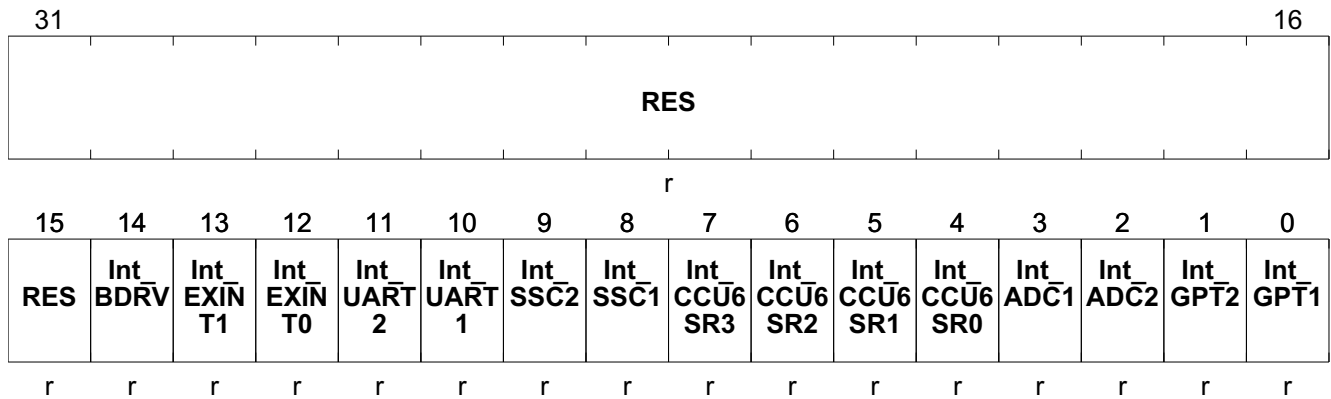
Field	Bits	Type	Description
RES	31:16	r	Reserved
RES	15	r	Reserved

Field	Bits	Type	Description
Int_BDRV	14	rw	Interrupt Clear Pending for Bridge Driver 0 _B Not Pending on reads the associated interrupt is not pending, no effect on writes 1 _B Pending on reads the associated interrupt is pending, on writes the status of the associated interrupt is changed to not pending
Int_EXINT1	13	rw	Interrupt Clear Pending for External Int 1 0 _B Not Pending on reads the associated interrupt is not pending, no effect on writes 1 _B Pending on reads the associated interrupt is pending, on writes the status of the associated interrupt is changed to not pending
Int_EXINT0	12	rw	Interrupt Clear Pending for External Int 0 0 _B Not Pending on reads the associated interrupt is not pending, no effect on writes 1 _B Pending on reads the associated interrupt is pending, on writes the status of the associated interrupt is changed to not pending
Int_UART2	11	rw	Interrupt Clear Pending for UART2 0 _B Not Pending on reads the associated interrupt is not pending, no effect on writes 1 _B Pending on reads the associated interrupt is pending, on writes the status of the associated interrupt is changed to not pending
Int_UART1	10	rw	Interrupt Clear Pending for UART1 0 _B Not Pending on reads the associated interrupt is not pending, no effect on writes 1 _B Pending on reads the associated interrupt is pending, on writes the status of the associated interrupt is changed to not pending
Int_SSC2	9	rw	Interrupt Clear Pending for SSC2 0 _B Not Pending on reads the associated interrupt is not pending, no effect on writes 1 _B Pending on reads the associated interrupt is pending, on writes the status of the associated interrupt is changed to not pending
Int_SSC1	8	rw	Interrupt Clear Pending for SSC1 0 _B Not Pending on reads the associated interrupt is not pending, no effect on writes 1 _B Pending on reads the associated interrupt is pending, on writes the status of the associated interrupt is changed to not pending
Int_CCU6SR3	7	rw	Interrupt Clear Pending for CCU6 SR3 0 _B Not Pending on reads the associated interrupt is not pending, no effect on writes 1 _B Pending on reads the associated interrupt is pending, on writes the status of the associated interrupt is changed to not pending
Int_CCU6SR2	6	rw	Interrupt Clear Pending for CCU6 SR2 0 _B Not Pending on reads the associated interrupt is not pending, no effect on writes 1 _B Pending on reads the associated interrupt is pending, on writes the status of the associated interrupt is changed to not pending

Field	Bits	Type	Description
Int_CCU6SR1	5	rw	Interrupt Clear Pending for CCU6 SR1 0 _B Not Pending on reads the associated interrupt is not pending, no effect on writes 1 _B Pending on reads the associated interrupt is pending, on writes the status of the associated interrupt is changed to not pending
Int_CCU6SR0	4	rw	Interrupt Clear Pending for CCU6 SR0 0 _B Not Pending on reads the associated interrupt is not pending, no effect on writes 1 _B Pending on reads the associated interrupt is pending, on writes the status of the associated interrupt is changed to not pending
Int_ADC1	3	rw	Interrupt Clear Pending for ADC1 0 _B Not Pending on reads the associated interrupt is not pending, no effect on writes 1 _B Pending on reads the associated interrupt is pending, on writes the status of the associated interrupt is changed to not pending
Int_ADC2	2	rw	Interrupt Clear Pending for MU, ADC2 0 _B Not Pending on reads the associated interrupt is not pending, no effect on writes 1 _B Pending on reads the associated interrupt is pending, on writes the status of the associated interrupt is changed to not pending
Int_GPT2	1	rw	Interrupt Clear Pending for GPT2 0 _B Not Pending on reads the associated interrupt is not pending, no effect on writes 1 _B Pending on reads the associated interrupt is pending, on writes the status of the associated interrupt is changed to not pending
Int_GPT1	0	rw	Interrupt Clear Pending for GPT1 0 _B Not Pending on reads the associated interrupt is not pending, no effect on writes 1 _B Pending on reads the associated interrupt is pending, on writes the status of the associated interrupt is changed to not pending

Active Bit Register

NVIC_IABR0	Offset	Reset Value
Active Bit Register Interrupt Active Flags	300_H	0000 0000_H



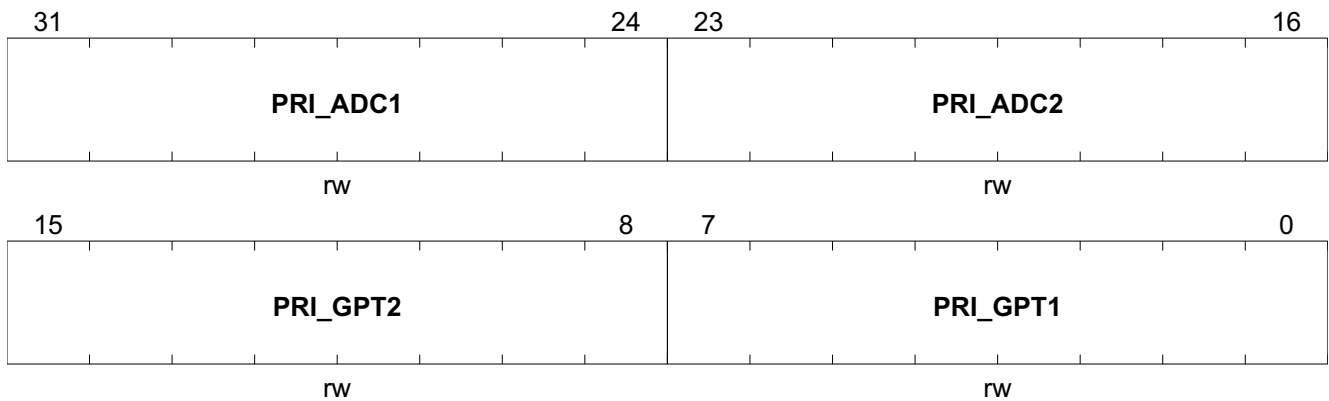
Field	Bits	Type	Description
RES	31:16	r	Reserved
RES	15	r	Reserved
Int_BDRV	14	r	Interrupt Active for Bridge Driver 0 _B DISABLE disables interrupt for read operation, no effect for write operation 1 _B ENABLE enables interrupt for read and write operation
Int_EXINT1	13	r	Interrupt Active for External Int 1 0 _B DISABLE disables interrupt for read operation, no effect for write operation 1 _B ENABLE enables interrupt for read and write operation
Int_EXINT0	12	r	Interrupt Active for External Int 0 0 _B DISABLE disables interrupt for read operation, no effect for write operation 1 _B ENABLE enables interrupt for read and write operation
Int_UART2	11	r	Interrupt Active for UART2 0 _B DISABLE disables interrupt for read operation, no effect for write operation 1 _B ENABLE enables interrupt for read and write operation
Int_UART1	10	r	Interrupt Active for UART1 0 _B DISABLE disables interrupt for read operation, no effect for write operation 1 _B ENABLE enables interrupt for read and write operation
Int_SSC2	9	r	Interrupt Active for SSC2 0 _B DISABLE disables interrupt for read operation, no effect for write operation 1 _B ENABLE enables interrupt for read and write operation
Int_SSC1	8	r	Interrupt Active for SSC1 0 _B DISABLE disables interrupt for read operation, no effect for write operation 1 _B ENABLE enables interrupt for read and write operation

Field	Bits	Type	Description
Int_CCU6SR3	7	r	Interrupt Active for CCU6 SR3 0 _B DISABLE disables interrupt for read operation, no effect for write operation 1 _B ENABLE enables interrupt for read and write operation
Int_CCU6SR2	6	r	Interrupt Active for CCU6 SR2 0 _B DISABLE disables interrupt for read operation, no effect for write operation 1 _B ENABLE enables interrupt for read and write operation
Int_CCU6SR1	5	r	Interrupt Active for CCU6 SR1 0 _B DISABLE disables interrupt for read operation, no effect for write operation 1 _B ENABLE enables interrupt for read and write operation
Int_CCU6SR0	4	r	Interrupt Active for CCU6 SR0 0 _B DISABLE disables interrupt for read operation, no effect for write operation 1 _B ENABLE enables interrupt for read and write operation
Int_ADC1	3	r	Interrupt Active for ADC1 0 _B DISABLE disables interrupt for read operation, no effect for write operation 1 _B ENABLE enables interrupt for read and write operation
Int_ADC2	2	r	Interrupt Active for MU, ADC2 0 _B DISABLE disables interrupt for read operation, no effect for write operation 1 _B ENABLE enables interrupt for read and write operation
Int_GPT2	1	r	Interrupt Active for GPT2 0 _B DISABLE disables interrupt for read operation, no effect for write operation 1 _B ENABLE enables interrupt for read and write operation
Int_GPT1	0	r	Interrupt Active for GPT1 0 _B DISABLE disables interrupt for read operation, no effect for write operation 1 _B ENABLE enables interrupt for read and write operation

Interrupt Priority Registers

For the Interrupt Priority Registers, only the upper nibble of each priority bytes is significant.

NVIC_IPR0	Offset	Reset Value
Interrupt Priority	400 _H	0000 0000 _H

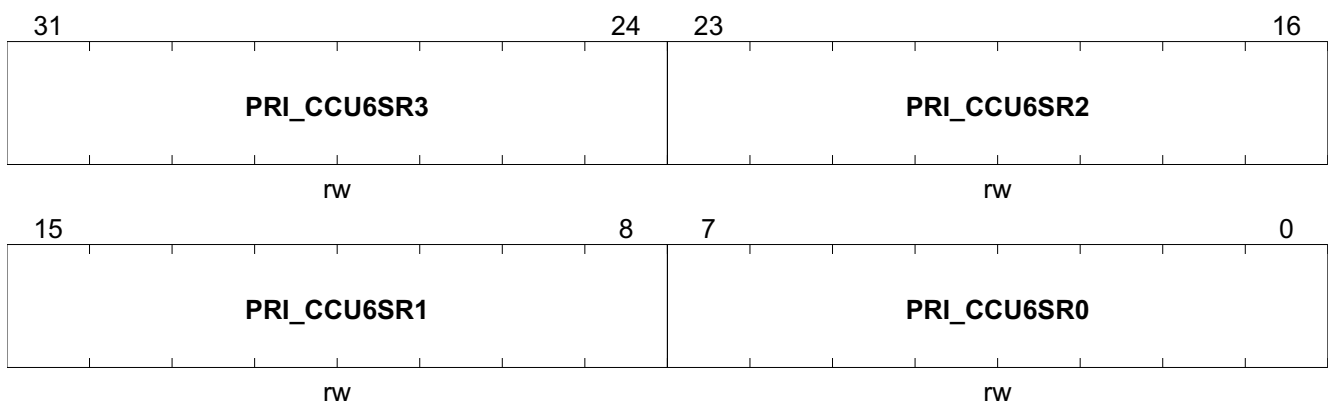


Field	Bits	Type	Description
PRI_ADC1	31:24	rw	Priority for ADC1
PRI_ADC2	23:16	rw	Priority for MU, ADC2
PRI_GPT2	15:8	rw	Priority for GPT2
PRI_GPT1	7:0	rw	Priority for GPT1

Interrupt Priority Registers

For the Interrupt Priority Registers, only the upper nibble of each priority bytes is significant.

NVIC_IPR1	Offset	Reset Value
Interrupt Priority	404_H	0000 0000_H



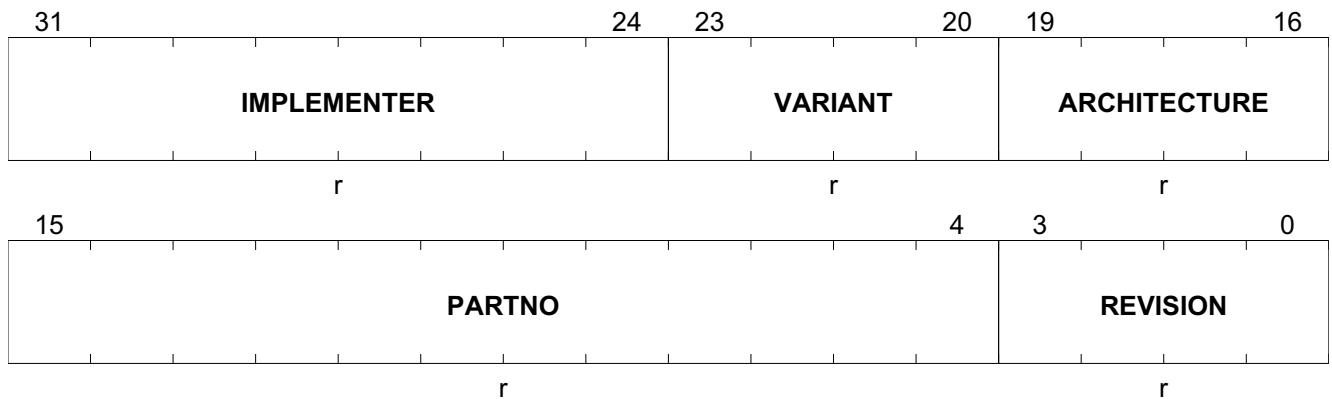
Field	Bits	Type	Description
PRI_CCU6SR3	31:24	rw	Priority for CCU6 SR3
PRI_CCU6SR2	23:16	rw	Priority for CCU6 SR2
PRI_CCU6SR1	15:8	rw	Priority for CCU6 SR1
PRI_CCU6SR0	7:0	rw	Priority for CCU6 SR0

Interrupt Priority Registers

For the Interrupt Priority Registers, only the upper nibble of each priority bytes is significant.

CPU ID Base Register

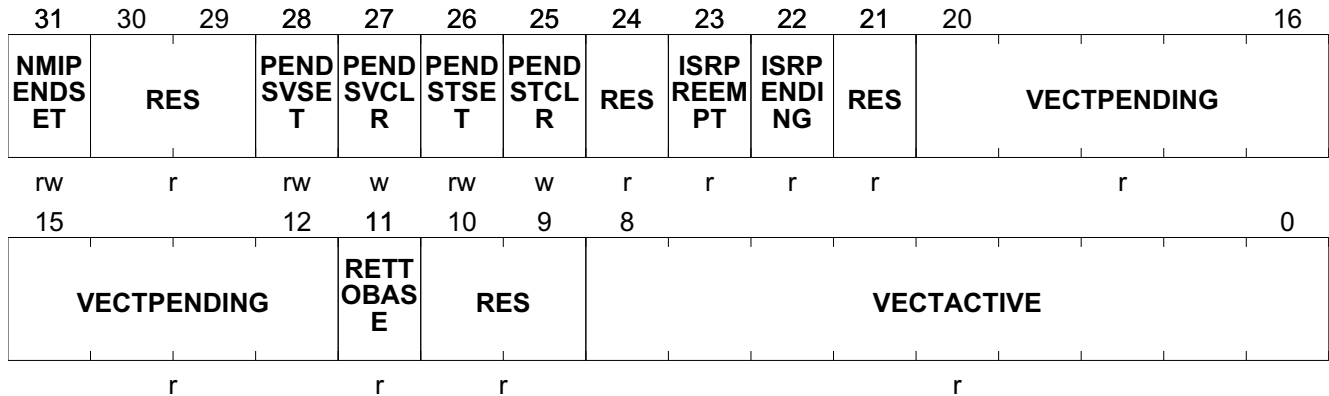
CPUID **Offset** **Reset Value**
CPU ID Base Register **D00_H** **412F C231_H**



Field	Bits	Type	Description
IMPLEMENTER	31:24	r	Implementer Code Assigned by ARM. Read as 41 _H for a processor implemented by ARM.
VARIANT	23:20	r	Variant Number Implementation defined.
ARCHITECTURE	19:16	r	Architecture Read as F _H .
PARTNO	15:4	r	Part Number Implementation defined.
REVISION	3:0	r	Revision Number Implementation defined.

Interrupt Control State Register

ICSR Offset
 Interrupt Control State Register D04_H Reset Value
0000 0000_H

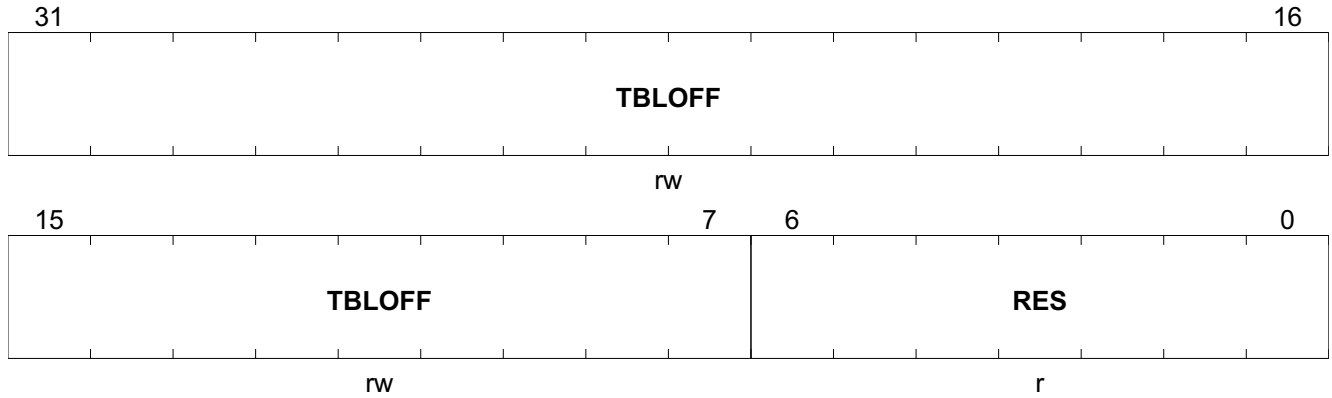


Field	Bits	Type	Description
NMIPENDSET	31	rw	<p>NMI PendSet On writes, makes the NMI exception active. On reads, indicates the state of the exception.</p> <p><i>Note: Because NMI is higher priority than other exceptions, if the processor is not already executing the NMI handler, it enters the NMI exception handler as soon as it recognizes the write to this bit.</i></p> <p>0_B on writes, has no effect. On reads, NMI is active. 1_B on writes, make the NMI exception active. On reads, NMI is active.</p>
RES	30:29	r	Reserved
PENDSVSET	28	rw	<p>PENDSVSET On writes, sets the PendSV exception as pending. On reads, indicates the current state of the exception.</p> <p><i>Note: Normally, software writes 1 to this bit to request a context switch.</i></p> <p>0_B on writes, has no effect. On reads, PendSV is not pending. 1_B on writes, make PendSV exception pending. On reads, PendSV is pending.</p>
PENDSVCLR	27	w	<p>PENDSVCLR Removes the pending status of the PendSV exception</p> <p>0_B no effect 1_B remove pending status</p>
PENDSTSET	26	rw	<p>PENDSTSET On writes, sets the SysTick exception as pending. On reads, indicates the current state of the exception.</p> <p>0_B on writes, has no effect. On reads, SysTick is not pending. 1_B on writes, make SysTick exception pending. On reads, SysTick is pending.</p>

Field	Bits	Type	Description
PENDSTCLR	25	w	PENDSTCLR Removes the pending status of the SysTick exception. 0 _B no effect 1 _B remove pending status
RES	24	r	Reserved
ISRPREEMPT	23	r	ISRPREEMPT Indicates whether a pending exception will be serviced on exit from debug halt state. 0 _B will not service 1 _B will service a pending exception
ISRPENDING	22	r	ISRPENDING Indicates whether an external interrupt, generated by the NVIC, is pending. 0 _B no external interrupt is pending 1 _B external interrupt is pending
RES	21	r	Reserved
VECTPENDING G	20:12	r	VECTPENDING The exception number for the highest priority pending exception. A value of 0 indicates that there is no pending exception. 0 _B no pending exceptions
RETTOBASE	11	r	RETTOBASE In Handler Mode, indicates whether there is an active exception other than the exception indicated by the current value of the IPSR. <i>Note: In Thread Mode the value of this bit is unknown.</i> 0 _B There is an active exception other than the exception shown by IPSR. 1 _B There is no active exception other than any exception shown by IPSR.
RES	10:9	r	Reserved
VECTACTIVE	8:0	r	VECTACTIVE The exception number of the current executing exception. A value of 0 indicates that the processor is in Thread Mode. 0 _B Thread Mode

Vector Table Offset Register

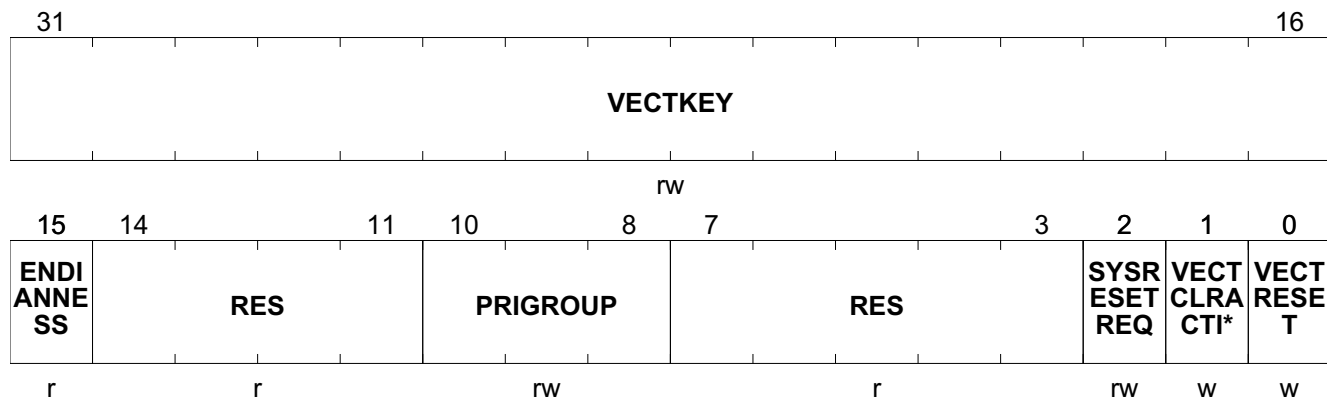
VTOR	Offset	Reset Value
Vector Table Offset Register	D08 _H	0000 0000 _H



Field	Bits	Type	Description
TBLOFF	31:7	rw	Vector Table Offset Bits[31:7] of the vector table address.
RES	6:0	r	Reserved

Application Interrupt/Reset Control Register

AIRCR	Offset	Reset Value
Application Interrupt/Reset Control Register	D0C_H	0000 0000_H

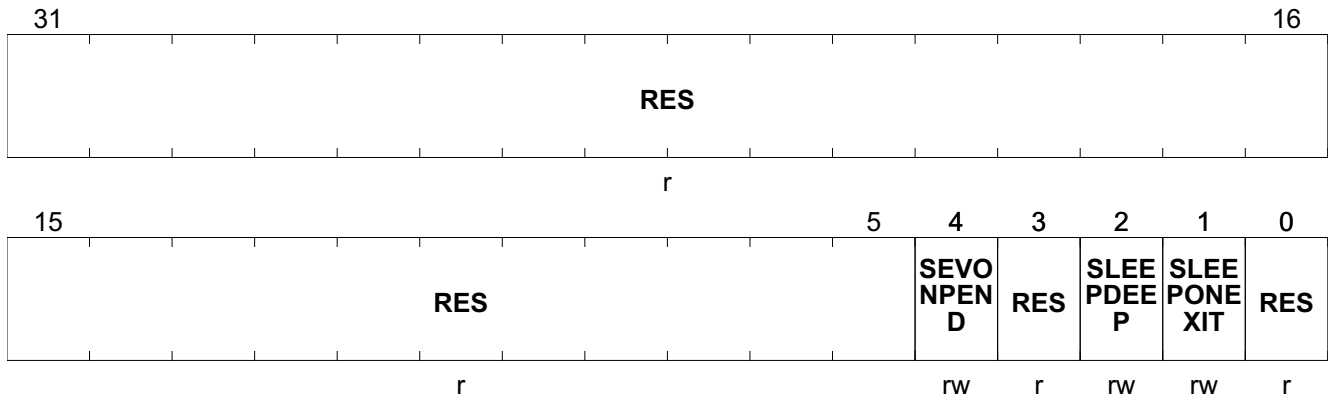


Field	Bits	Type	Description
VECTKEY	31:16	rw	Vector Key Register writes must write 05FA _H to this field, otherwise the write is ignored. On reads, returns FA05 _H .
ENDIANNESS	15	r	Memory System Endianness This bit is static or configured by hardware input on reset. 0 _B little endian 1 _B big endian
RES	14:11	r	Reserved
PRIGROUP	10:8	rw	Priority Grouping Indicates the binary point position. This bit resets to 000 _B
RES	7:3	r	Reserved
SYSRESETRREQ	2	rw	System Reset Request Writing 1 to this bit asserts a signal to the external system to request a Local reset. A Local or Power-on reset clears this bit to 0. 0 _B do not request a reset 1 _B request a reset
VECTCLRACTIVE	1	w	VECTCLRACTIVE Writing 1 to this bit clears all active state information for fixed and configurable exceptions. This includes clearing the IPSR to zero. <i>Note: The effect of writing a 1 to this bit, if the processor is not halted in Debug state, is unpredictable.</i>

Field	Bits	Type	Description
VECTRESET	0	w	<p>VECTRESET</p> <p>Writing 1 to this bit causes a local system reset. This bit self-clears.</p> <p><i>Note: The effect of writing a 1 to this bit, if the processor is not halted in Debug state, is unpredictable.</i></p> <p><i>When the processor is halted in Debug state, if a write to the register writes a 1 to both VECTRESET and SYSRESETREQ, the behavior is unpredictable.</i></p>

System Control Register

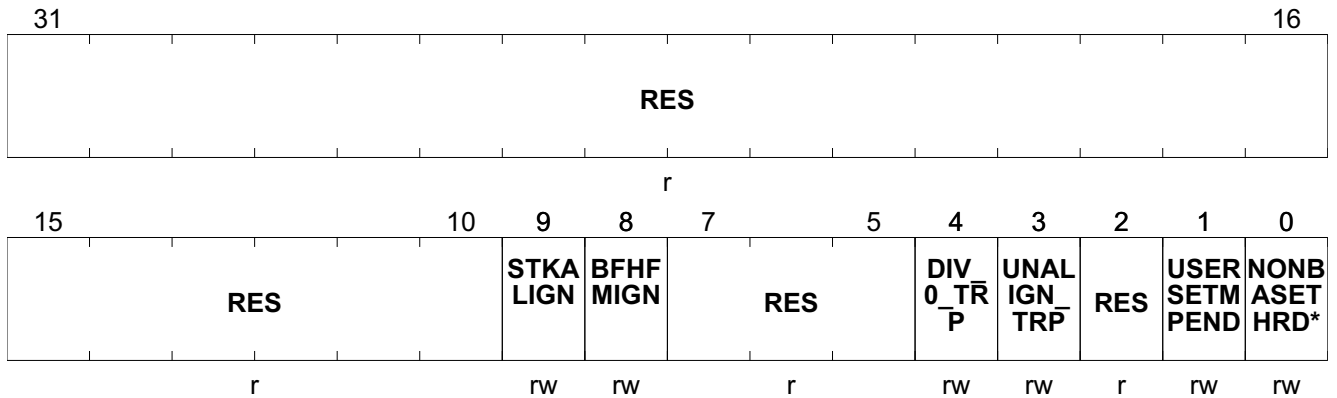
SCR **Offset** **Reset Value**
System Control Register **D10_H** **0000 0000_H**



Field	Bits	Type	Description
RES	31:5	r	Reserved
SEVONPEND	4	rw	SEVONPEND Determines whether an interrupt transition from inactive state to pending state is a wake-up event. 0 _B transitions from inactive to pending are not wake-up events 1 _B transitions from inactive to pending are wake-up events
RES	3	r	Reserved
SLEEPDEEP	2	rw	Sleep Deep Provides a qualifying hint that waking from sleep might take longer. An implementation can use this bit to select between two alternative sleep states. <i>Note: Details of the implemented sleep states, if any, and details of the use of this bit, are implementation defined.</i> <i>If the processor does not implement a deep sleep state then this bit can be RAZ/WI.</i> 0 _B selected sleep state is not deep sleep 1 _B selected sleep state is deep sleep
SLEEPONEXIT	1	rw	Sleep on Exit Determines whether, on an exit from an ISR that returns to the base level of execution priority, the processor enters a sleep state. 0 _B do not enter sleep state 1 _B enter sleep state
RES	0	r	Reserved

Configuration Control Register

CCR Offset Reset Value
 Configuration Control Register D14_H 0000 0200_H

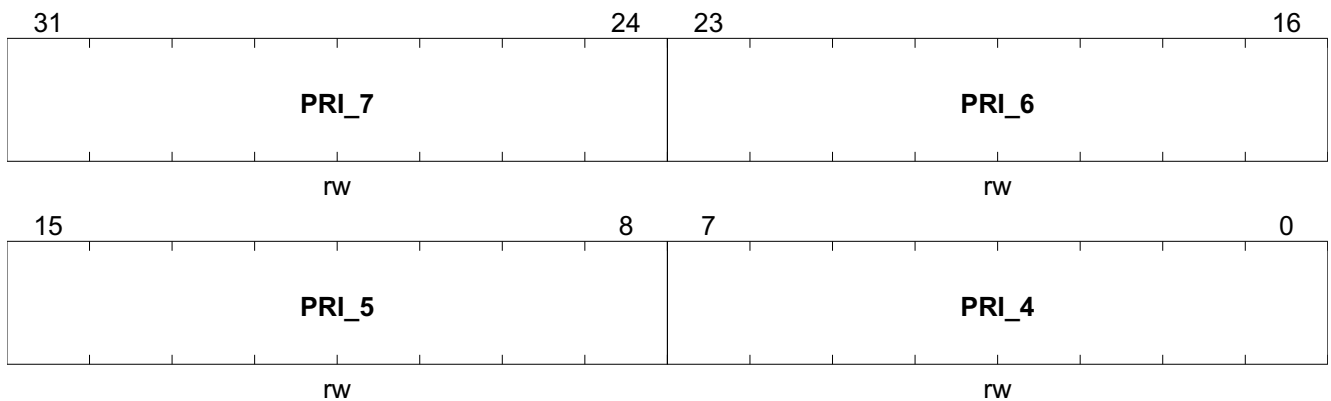


Field	Bits	Type	Description
RES	31:10	r	Reserved
STKALIGN	9	rw	STKALIGN Determines whether the exception entry sequence guarantees 8-byte stack frame alignment, adjusting the SP if necessary before saving state 0 _B guaranteed SP alignment is 4-byte, no SP adjustment is performed. 1 _B 8-byte alignment guaranteed, SP adjusted if necessary.
BFHF MIGN	8	rw	BFHF MIGN Determines the effect of precise data access faults on handlers running at priority -1 or priority -2. 0 _B precise data access fault causes a lockup 1 _B handler ignores the fault
RES	7:5	r	Reserved
DIV_0_TRP	4	rw	DIV_0_TRP Controls the trap on divide by 0. 0 _B trapping disabled 1 _B trapping enabled
UNALIGN_TRP	3	rw	UNALIGN_TRP Controls the trapping of unaligned word or halfword accesses. <i>Note: Unaligned load-store multiples and word or halfword exclusive accesses always fault.</i> 0 _B trapping disabled 1 _B trapping enabled
RES	2	r	Reserved

Field	Bits	Type	Description
USERSETMP END	1	rw	USERSETMPEND Controls whether unprivileged software can access the STIR. 0 _B unprivileged software cannot access the STIR. 1 _B unprivileged software can access the STIR.
NONBASETH RDENA	0	rw	NONBASETHRDENA Controls whether the processor can enter Thread Mode at an execution priority level other than base level. 0 _B any attempt to enter Thread Mode at an execution priority level of other than base level faults. 1 _B the processor can enter Thread Mode at any execution priority level because of a controlled return value.

System Handler Priority Register 1

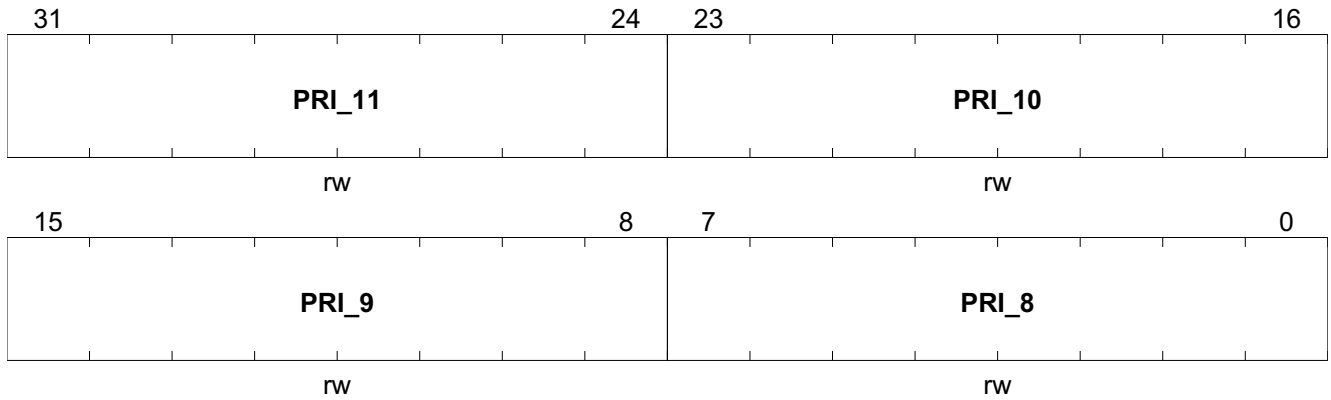
SHPR1 **Offset**
System Handler Priority Register 1 **D18_H** **Reset Value**
0000 0000_H



Field	Bits	Type	Description
PRI_7	31:24	rw	Reserved for Priority of System Handler 7
PRI_6	23:16	rw	Priority of System Handler 6, UsageFault
PRI_5	15:8	rw	Priority of System Handler 5, BusFault
PRI_4	7:0	rw	Priority of System Handler 4, MemManage

System Handler Priority Register 2

SHPR2 Offset **Reset Value**
System Handler Priority Register 2 **21C_H** **0000 0000_H**



Field	Bits	Type	Description
PRI_11	31:24	rw	Priority of System Handler 11, SVCcall
PRI_10	23:16	rw	Reserved for Priority of System Handler 10
PRI_9	15:8	rw	Reserved for Priority of System Handler 9
PRI_8	7:0	rw	Reserved for Priority of System Handler 8

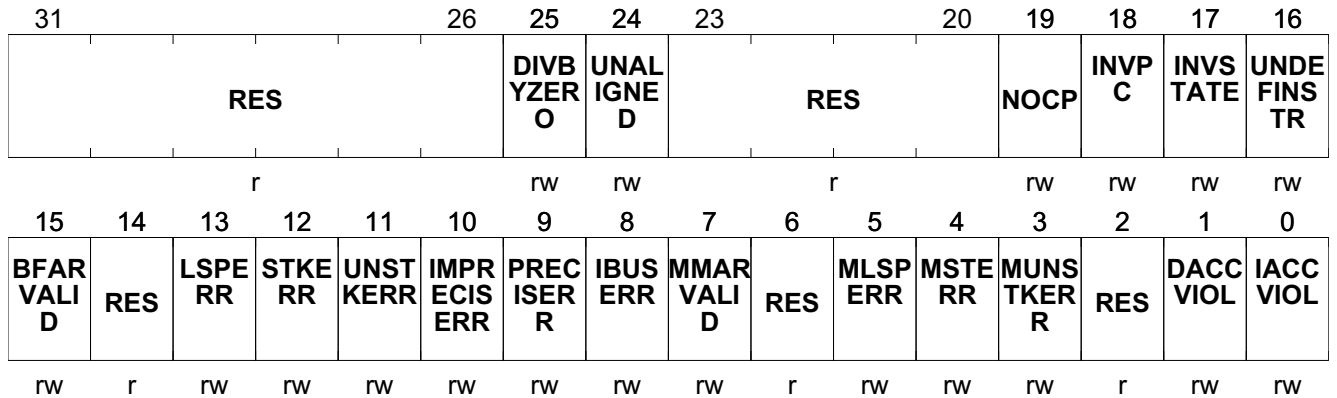
Field	Bits	Type	Description
PENDSVACT	10	rw	PENDSVACT²⁾ 0 _B PendSV is not active 1 _B PendSV is active
RES	9	r	Reserved
MONITORACT	8	rw	MONITORACT²⁾ 0 _B Monitor is not active 1 _B Monitor is active
SVCALLACT	7	rw	SVCALLACT²⁾ 0 _B SVCAll is not active 1 _B SVCAll is active
RES	6:4	r	Reserved
USGFAULTACT	3	rw	USGFAULTACT²⁾ 0 _B UsageFault is not active 1 _B UsageFault is active
RES	2	r	Reserved
BUSFAULTACT	1	rw	BUSFAULTACT²⁾ 0 _B BusFault is not active 1 _B BusFault is active
MEMFAULTACT	0	rw	MEMFAULTACT²⁾ 0 _B MemManage is not active 1 _B MemManage is active

1) Pending state bits are set to 1 when an exception occurs, and are cleared to 0 when the exception becomes active.

2) Active state bits are set to 1 if the associated exception is the current exception or an exception that is nested because of preemption

Configurable Fault Status Register

CFSR **Offset** **Reset Value**
Configurable Fault Status Register **D28_H** **0000 0000_H**



Field	Bits	Type	Description
RES	31:26	r	Reserved
DIVBYZERO	25	rw	Divide by Zero <i>Note: When SDIV or UDIV instruction is used with a divisor of 0, this fault occurs if DIV_0_TRP is enabled in the CCR.</i> 0 _B No Divide by zero error has occurred. 1 _B A divide by zero error has occurred.
UNALIGNED	24	rw	Unaligned <i>Note: Multi-word accesses always fault if not word aligned. Software can configure unaligned word and halfword accesses to fault.</i> 0 _B No unaligned access error has occurred. 1 _B A unaligned access error has occurred.
RES	23:20	r	Reserved
NOCP	19	rw	No CP 0 _B No coprocessor access error has occurred. 1 _B A coprocessor access error has occurred.
INVPC	18	rw	INVPC 0 _B No integrity check error has occurred. 1 _B A integrity check error has occurred.
INVSTATE	17	rw	INVSTATE 0 _B EPSR.T bit and EPSR.IT bits are valid for instruction execution. 1 _B Instruction executed with invalid EPSR.T or EPSR.IT field.
UNDEFINSTR	16	rw	Undefined Instruction 0 _B No Undefined Instruction Usage fault has occurred. 1 _B The processor has attempted to execute an undefined instruction. This might be an undefined instruction associated with an enabled coprocessor.

Field	Bits	Type	Description
BFARVALID	15	rw	BFAR Valid 0 _B BFAR does not have valid contents. 1 _B BFAR has valid contents.
RES	14	r	Reserved
LSPERR	13	rw	LSPERR 0 _B No bus fault occurred during FP lazy state preservation 1 _B A bus fault occurred during FP lazy state preservation
STKERR	12	rw	STKERR 0 _B No derived bus fault occurred 1 _B A derived bus fault occurred on exception entry
UNSTKERR	11	rw	UNSTKERR 0 _B No derived bus fault occurred 1 _B A derived bus fault occurred on exception return
IMPRECISERR	10	rw	IMPRECISERR 0 _B No precise data access error has occurred 1 _B An imprecise data access error has occurred.
PRECISERR	9	rw	PRECISERR 0 _B No precise data access error has occurred 1 _B An imprecise data access error has occurred, and the processor has written the faulting address to the BFAR.
IBUSERR	8	rw	IBUSERR 0 _B No bus fault on an instruction prefetch has occurred. 1 _B A bus fault on an instruction prefetch has occurred. The fault is signalled only if the instruction is issued.
MMARVALID	7	rw	MMARVALID 0 _B MMAR does not have valid contents. 1 _B MMAR has valid contents.
RES	6	r	Reserved
MLSPERR	5	rw	MLSPERR 0 _B No MemManage fault occurred during FP lazy state preservation 1 _B A MemManage fault occurred during FP lazy state preservation
MSTERR	4	rw	MSTERR 0 _B No derived MemManage fault occurred 1 _B A derived MemManage fault occurred on exception entry
MUNSTKERR	3	rw	MUNSTKERR 0 _B No derived MemManage fault occurred 1 _B A derived MemManage fault occurred on exception return
RES	2	r	Reserved
DACCVIOL	1	rw	DACCVIOL 0 _B No data access violation has occurred. 1 _B Data access violation. The MMAR shows the data address that the load or store tried to access.

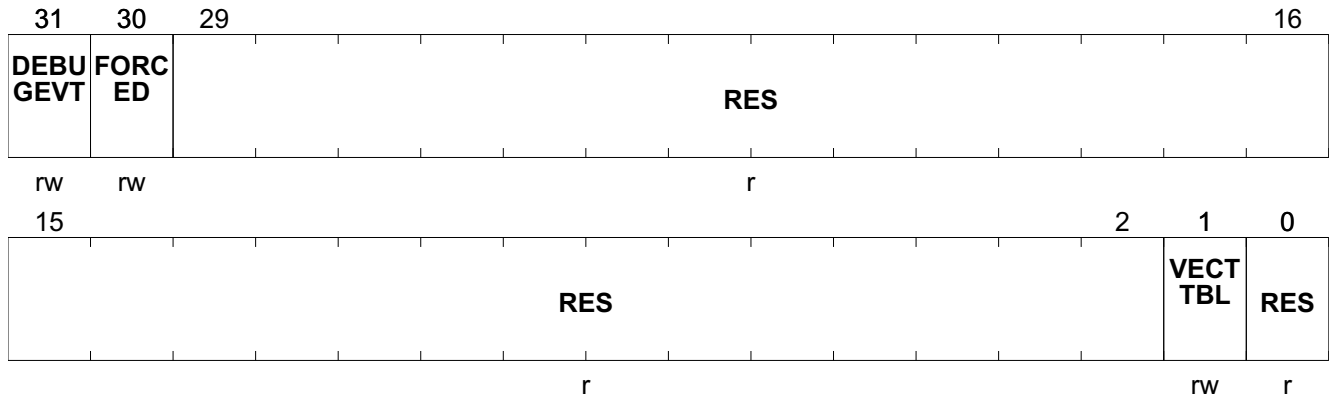
Field	Bits	Type	Description
IACCVIOL	0	rw	IACCVIOL 0 _B No MPU or Execute Never (XN) default memory map access violation has occurred. 1 _B MPU or Execute Never (XN) default memory map access violation on an instruction fetch has occurred. The fault is signalled only if the instruction is issued.

Notes

1. *USAGEFAULT* contains bits 31:16 of *CFSR* and provides information on *UsageFault* exceptions
2. *BUSFAULT* contains bits 15:8 of *CFSR* and provides information on *BusFault* exceptions
3. *MemManage* contains bits 7:0 of *CFSR* and provides information on *MemManage* exceptions

Hard Fault Status Register

HFSR **Offset** **Reset Value**
Hard Fault Status Register **D2C_H** **0000 0000_H**



Field	Bits	Type	Description
DEBUGEVT	31	rw	<p>Debug Event Indicates when a Debug event has occurred.</p> <p><i>Note: The processor sets this bit to 1 only when halting debug is disabled and a Debug event occurs.</i></p> <p>0_B No Debug event has occurred 1_B Debug event has occurred. The Debug Fault Status Register has been updated.</p>
FORCED	30	rw	<p>Forced Indicates that a fault with configurable priority has been escalated to a HardFault exception, because it could not be made active, because of priority or because it was disabled.</p> <p>0_B No priority escalation has occurred 1_B Processor has escalated a configurable priority exception to HardFault</p>
RES	29:2	r	Reserved
VECTTBL	1	rw	<p>VECTTBL Indicates when a fault has occurred because of a vector table read error on exception processing.</p> <p>0_B No vector table read fault has occurred 1_B Vector table read fault has occurred</p>
RES	0	r	Reserved

MemManage Fault Status Register

MMFAR	Offset	Reset Value
MemManage Fault Status Register	D34 _H	XXXX XXXX _H



Field	Bits	Type	Description
ADDRESS	31:0	rw	<p>Data Address for an MPU Fault</p> <p>This is the location addressed by an attempted load or store access that was faulted. The MemManage Status Register shows the cause of the fault, and whether MMFAR.ADDRESS is valid. When an unaligned access faults, the address is the actual address that faulted. Because an access might be split into multiple parts, each aligned, this address can be any offset in the range of the requested size.</p>

Bus Fault Status Register

BFAR	Offset	Reset Value
Bus Fault Status Register	D38 _H	XXXX XXXX _H



Field	Bits	Type	Description
ADDRESS	31:0	rw	<p>Data Address for a precise BusFault</p> <p>This is the location addressed by an attempted data access that was faulted. The BFSR shows the reason for the fault, and whether BFAR.ADDRESS is valid. For unaligned access faults, the address returned is the address requested by the instruction. This might not be the address that faulted.</p>

9.5 Instruction Set Summary

This chapter provides the Instruction set. [Table 45](#) shows the instructions and their cycle counts. The cycle counts are based on a system with zero wait states.

Within the assembler syntax, depending on the operation, the <op2> field can be replaced with one of the following options:

- a simple register
- an immediate shifted register
- a register shifted register
- an immediate value

For brevity, not all load and store addressing modes are shown.

[Table 45](#) uses the following abbreviations in the cycles column:

- P for the number of cycles required for a pipeline refill.
- B for the number of cycles required to perform the barrier operation.
- N for the number of registers in the register list to be loaded or stored, including PC or LR.
- W for the number of cycles spent waiting for an appropriate event.

Table 45 Instruction Set Summary

Operation	Description	Mnemonic	Cycles (without wait states)
Move	Register	MOV Rd, <op2>	1
	16-bit immediate	MOVW Rd, #<imm>	1
	Immediate into top	MOVT Rd, #<imm>	1
	To PC	MOV PC, Rm	1 + P
Add	Add	ADD Rd, Rn, <op2>	1
	Add to PC	Add PC, PC, Rm	1 + P
	Add with carry	ADC Rd, Rn, <op2>	1
	Form address	ADR Rd, <label>	1
Subtract	Subtract	SUB Rd, Rn, <op2>	1
	Subtract with borrow	SBC Rd, Rn, <op2>	1
	Reverse	RSB Rd, Rn, <op2>	1
Multiply	Multiply	MUL Rd, Rn, Rm	1
	Multiply accumulate	MLA Rd, Rn, Rm	2
	Multiply subtract	MLS Rd, Rn, Rm	2
	Long signed	SMULL RdLo, RdHi, Rn, Rm	3 to 5 ¹⁾
	Long unsigned	UMULL RdLo, RdHi, Rn, Rm	3 to 5 ¹⁾
	Long signed accumulate	SMLAL RdLo, RdHi, Rn, Rm	4 to 7 ¹⁾
	Long unsigned accumulate	UMLAL RdLo, RdHi, Rn, Rm	4 to 7 ¹⁾
Divide	Signed	SDIV Rd, Rn, Rm	2 to 12 ²⁾
	Unsigned	UDIV Rd, Rn, Rm	2 to 12 ²⁾
Saturate	Signed	SSAT Rd, #i<imm>, <op2>	1
	Unsigned	USAT Rd, #<imm>, <op2>	1
Compare	Compare	CMP Rn, <op2>	1
	Negative	CMN Rn, <op2>	1

Table 45 Instruction Set Summary (cont'd)

Operation	Description	Mnemonic	Cycles (without wait states)
Logical	AND	AND Rd, Rn, <op2>	1
	Exclusive OR	EOR Rd, Rn, <op2>	1
	OR	ORR Rd, Rn, <op2>	1
	OR NOT	ORN Rd, Rn, <op2>	1
	Bit clear	BIC Rd, Rn, <op2>	1
	Move NOT	MVN Rd, <op2>	1
	AND test	TST Rn, <op2>	1
	Exclusive OR test	TEQ Rn, <op1>	
Shift	Logical shift left	LSL Rd, Rn, #<imm>	1
	Logical shift left	LSL Rd, Rn, Rs	1
	Logical shift right	LSR Rd, Rn, #<imm>	1
	Logical shift right	LSR Rd, Rn, Rs	1
	Arithmetic shift right	ASR Rd, Rn, #<imm>	1
	Arithmetic shift right	ASR Rd, Rn, Rs	1
Rotate	Rotate right	ROR Rd, Rn, #<imm>	1
	Rotate right	ROR Rd, Rn, Rs	1
	With extension	RRX Rd, Rn	1
Count	Leading zeroes	CLZ Rd, Rn	1
Load	Word	LDR Rd, [Rn, <op2>]	2 ³
	To PC	LDR PC, [Rn, <op2>]	2 ³ + P
	Halfword	LDRH Rd, [Rn, <op2>]	2 ³
	Byte	LDRB Rd, [Rn, <op2>]	2 ³
	Signed halfword	LDRSH Rd, [Rn, <op2>]	2 ³
	Signed byte	LDRSB Rd, [Rn, <op2>]	2 ³
	User word	LDRT Rd, [Rn, #<imm>]	2 ³
	User halfword	LDRHT Rd, [Rn, #<imm>]	2 ³
	User byte	LDRBT Rd, [Rn, #<imm>]	2 ³
	User signed halfword	LDRSHT Rd, [Rn, #<imm>]	2 ³
	User signed byte	LDRSBT Rd, [Rn, #<imm>]	2 ³
	PC relative	LDR Rd, [PC, #<imm>]	2 ³
	Doubleword	LDRD Rd, Rd, [Rn, #<imm>]	1 + N
	Multiple	LDM Rn, {<reglist>}	1 + N
Multiple including PC	LDM Rn, {<reglist>, PC}	1 + N + P	

Table 45 Instruction Set Summary (cont'd)

Operation	Description	Mnemonic	Cycles (without wait states)
Store	Word	STR Rd, [Rn, <op2>]	2 ³⁾
	Halfword	STRH Rd, [Rn, <op2>]	2 ³⁾
	Byte	STRB Rd, [Rn, <op2>]	2 ³⁾
	Signed halfword	STRSH Rd, [Rn, <op2>]	2 ³⁾
	Signed byte	STRSB Rd, [Rn, <op2>]	2 ³⁾
	User word	STRT Rd, [Rn, #<imm>]	2 ³⁾
	User halfword	STRHT Rd, [Rn, #<imm>]	2 ³⁾
	User byte	STRBT Rd, [Rn, #<imm>]	2 ³⁾
	User signed halfword	STRSHT Rd, [Rn, #<imm>]	2 ³⁾
	User signed byte	STRSBT Rd, [Rn, #<imm>]	2 ³⁾
	Doubleword	STRD RD, Rd, [Rn, #<imm>]	1 + N
	Multiple	STM Rn, {<reglist>}	1 + N
	Push	Push	PUSH {<reglist>}
Push with link register		PUSH {<reglist>, LR}	1 + N
Pop	Pop	POP {<reglist>}	1 + N
	Pop and return	POP {<reglist>, PC}	1 + N + P
Semaphore	Load exclusive	LDREX Rd, [Rn, #<imm>]	2
	Load exclusive half	LDREXH Rd, [Rn]	2
	Load exclusive byte	LDREXB Rd, [Rn]	2
	Store exclusive	STREX Rd, Rt, [Rn, #<imm>]	2
	Store exclusive half	STREXH Rd, Rt, [Rn]	2
	Store exclusive byte	STREXB Rd, Rt, [Rn]	2
	Clear exclusive monitor	CLREX	1
Branch	Conditional	B <cc> <label>	1 or 1 + P ⁴⁾
	Unconditional	B <label>	1 + P
	With link	BL <label>	1 + P
	With exchange	BX Rm	1 + P
	With link and exchange	BLX Rm	1 + P
	Branch if zero	CBZ Rn, <label>	1 or 1 + P ⁴⁾
	Branch if non-zero	CBZN Rn, <label>	1 or 1 + P ⁴⁾
	Byte table branch	TBB [Rn, Rm]	2 + P
	Halfword table branch	TBH [Rn, Rm, LSL#1]	2 + P

Table 45 Instruction Set Summary (cont'd)

Operation	Description	Mnemonic	Cycles (without wait states)
State change	Supervisor call	SVC #<imm>	–
	If-then-else	IT... <cond>	1 ⁵⁾
	Disable interrupts	CPSID <flags>	1 or 2
	Enable interrupts	CPSIE <flags>	1 or 2
	Read special register	MRS Rd, <specreg>	1 or 2
	Write special register	MSR <specreg>, Rn	1 or 2
	Breakpoint	BKPT #<imm>	–
Extend	Signed halfword to word	SXTH Rd, <op2>	1
	Signed byte to word	SXTB Rd, <op2>	1
	Unsigned halfword	UXTH Rd, <op2>	1
	Unsigned byte	UXTB Rd, <op2>	1
Bit field	Extract unsigned	UBFX Rd, Rn, #<imm>, #<imm>	1
	Extract signed	SBFX Rd, Rn, #<imm>, #<imm>	1
	Clear	BFC Rd, Rn, #<imm>, #<imm>	1
	Insert	BFI Rd, Rn, #<imm>, #<imm>	1
Reverse	Bytes in word	REV Rd, Rm	1
	Bytes in both halfwords	REV16 Rd, Rm	1
	Signed bottom halfword	REVSH Rd, Rm	1
	Bits in word	RBIT Rd, Rm	1
Hint	Send event	SEV	1
	Wait for event	WFE	1 + W
	Wait for interrupt	WFI	1 + W
	No operation	NOP	1
Barriers	Instruction synchronization	ISB	1 + B
	Data memory	DMB	1 + B
	Data synchronization	DSB <flags>	1 + B

- 1) UMULL, SMULL, UMLAL, and SMLAL instructions use early termination depending on the size of the source values. These are interruptible, that is abandoned and restarted, with worst case latency of one cycle.
- 2) Division operations use early termination to minimize the number of cycles required based on the number of leading ones and zeros in the input operands.
- 3) Neighboring load and store single instructions can pipeline their address and data phases. This enables these instructions to complete in a single execution cycle.
- 4) Conditional branch completes in a single cycle if the branch is not taken.
- 5) An IT instruction can be folded onto a preceding 16-bit Thumb instruction, enabling execution in zero cycles.

10 Address Space Organization

The TLE9868QXB20 manipulates operands in the following memory spaces:

- 128 KByte of Flash memory in code space
- 32 KByte Boot ROM memory in code space (used for boot code and IP storage)
- 4 KByte RAM memory in code space and data space (RAM can be read/written as program memory or external data memory)
- Special function registers (SFRs) in peripheral space

The figure below shows the detailed address alignment of TLE9868QXB20:

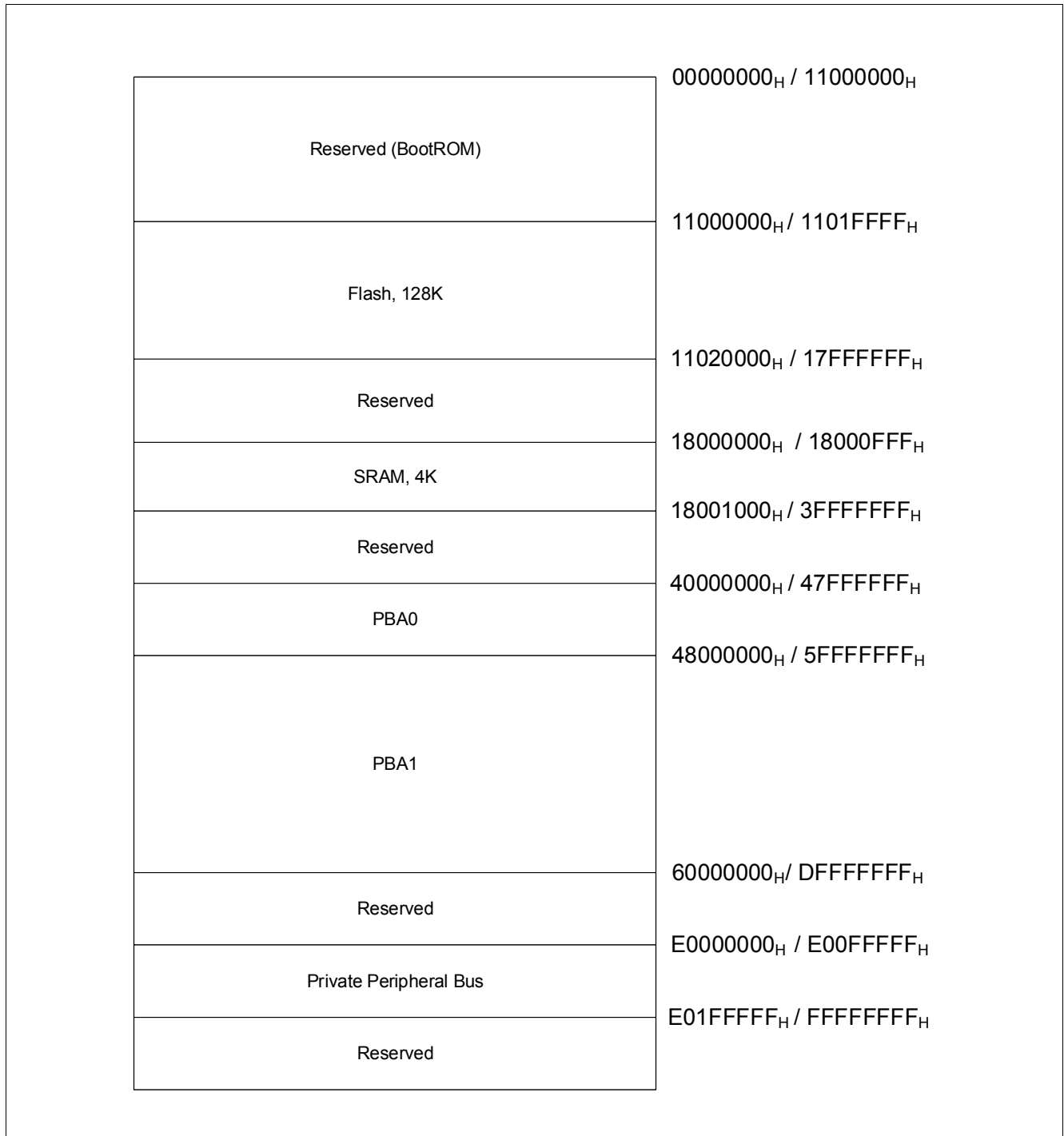


Figure 34 TLE9868QXB20 Memory Map

Each module provides, beside the physical memory implementation, standard AHB-Lite interface and Error Correction Code (ECC) logic if needed.

Table 46 Memory Map

Start (hex)	End (hex)	Size (hex)	Space Name	Usage
0000_0000	0000_7FFF	8000	Code/Data	BROM
0000_8000	10FF_FFFF		Reserved	Reserved
1100_0000	1101_FFFF	20000	Code/Data	NVM, 128 KBytes
1102_0000	17FF_FFFF		Reserved	Reserved
1800_0000	1800_0FFF	1000	Code/Data	RAM, 4 KByte
1800_1000	3FFF_FFFF			Reserved
4000_0000	47FF_FFFF	08000000	Peripheral 0	Peripheral 0 (PBA0)
4800_0000	5FFF_FFFF	08000000	Peripheral 1	Peripheral 1 (PBA1)
6000_0000	DFFF_FFFF		Reserved	reserved
E000_0000	E00F_FFFF	00100000	PPB, Private Peripheral Bus	CPU
E010_0000	FFFF_FFFF		Vendor specific 1	reserved
F000_0000	FFFF_FFFF		Vendor specific 2	reserved

Table 47 Peripheral Memory Map

Bus Structure	Modules	Start Address	End Address
Peripherals 0	Reserved	4000000 _H	40003FFF _H
	ADC1	40004000 _H	40007FFF _H
	ADC34	40008000 _H	4000BFFF _H
	CCU6	4000C000 _H	4000FFFF _H
	GPT12	40010000 _H	40013FFF _H
	Reserved	40014000 _H	40017FFF _H
	Reserved	40018000 _H	4001BFFF _H
	Reserved	4001C000 _H	4001FFFF _H
	Reserved	40020000 _H	40023FFF _H
	Reserved	40024000 _H	40027FFF _H
	Reserved	40028000 _H	4002BFFF _H
	Reserved	4002C000 _H	4002FFFF _H
	Reserved	40030000 _H	40033FFF _H
	DRV	40034000 _H	40037FFF _H
	Reserved	40038000 _H	4003BFFF _H
	Reserved	4003C000 _H	4003FFFF _H
	Reserved	40044000 _H	40047FFF _H
Reserved	40048000 _H	47FFFFFF _H	
Peripherals 1	Reserved	48000000 _H	48003FFF _H
	TIMER2	48004000 _H	48004FFF _H
	TIMER21	48005000 _H	48005FFF _H
	TIMER3	48006000 _H	48007FFF _H
	Reserved	48008000 _H	4800BFFF _H
	Reserved	4800C000 _H	4800FFFF _H
	Reserved	48010000 _H	48013FFF _H
	Reserved	48014000 _H	48017FFF _H
	MF	48018000 _H	4801BFFF _H
	ADC2	4801C000 _H	4801DFFF _H
	LIN	4801E000 _H	4801FFFF _H
	UART1	48020000 _H	48021FFF _H
	UART2	48022000 _H	48023FFF _H
	SSC1	48024000 _H	48025FFF _H
	SSC2	48026000 _H	48027FFF _H
	PSPORTS	48028000 _H	48029FFF _H
	Reserved	4802A000 _H	4802BFFF _H
Reserved	4802C000 _H	4802DFFF _H	
Reserved	4802E000 _H	4802FFFF _H	

Table 47 Peripheral Memory Map (cont'd)

Bus Structure	Modules	Start Address	End Address
	Reserved	48030000 _H	4FFFFFFF _H
	Reserved	48004000 _H	4801FFFF _H
	Reserved	50000000 _H	50003FFF _H
	PMU	50004000 _H	50004FFF _H
	SCU	50005000 _H	50005FFF _H
	SCUPM	50006000 _H	50006FFF _H
	Reserved	50007000 _H	50007FFF _H
	Reserved	50008000 _H	50009FFF _H
	Reserved	5000A000 _H	5000BFFF _H
	Reserved	5000C000 _H	5000FFFF _H
	Reserved	50010000 _H	50013FFF _H
	Reserved	50014000 _H	50017FFF _H
	Reserved	50018000 _H	5001BFFF _H
	Reserved	5001C000 _H	5001FFFF _H
	Reserved	50020000 _H	50023FFF _H
	Reserved	50024000 _H	50027FFF _H
	Reserved	50028000 _H	5002BFFF _H
	Reserved	5002C000 _H	57FFFFFF _H
	Reserved	58000000 _H	58003FFF _H
	Reserved	58004000 _H	58007FFF _H
	Reserved	58008000 _H	5800BFFF _H
	Reserved	5800C000 _H	5800FFFF _H
	Reserved	58010000 _H	58013FFF _H
	Reserved	58014000 _H	58017FFF _H
	Reserved	58018000 _H	5FFFFFFF _H

11 Memory Control Unit

11.1 Features

- Handles all system memories and their interaction with the CPU
- Memory protection functions for all system memories (D-Flash, P-Flash, RAM)
- Address management with access violation detection including reporting
- Linear address range for all memories (no paging)

11.2 Introduction

11.2.1 Block Diagram

The Memory Control Unit (MCU) is divided in the following sub-modules:

- NVM memory module (embedded Flash Memory)
- RAM memory module
- BootROM memory module
- Memory Protection Unit (MPU) module
- Peripheral Bridge PBA0
- LMB (Local Memory Bus) interface logic.

A block diagram view of the MCU, together with the main interface signals, is shown in the [Figure 35](#).

Memory Control Unit

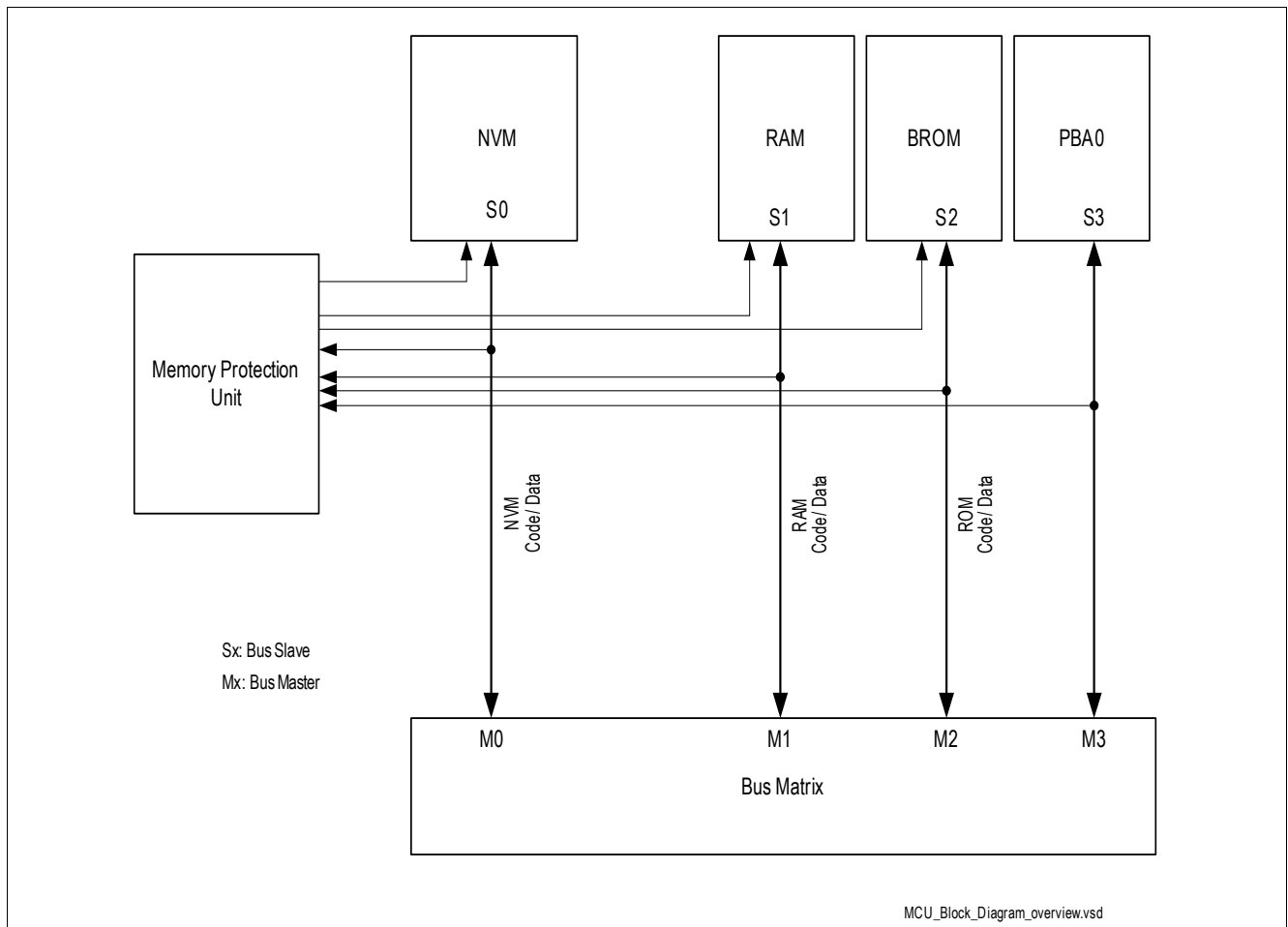


Figure 35 MCU Block View

As shown in the [Figure 35](#), the MCU interface communicates with the external world, mainly the core, via 4 AHB-Lite interfaces, Data/Code access to the NVM, BootROM and RAM plus an access to the NVM internal registers. The AMBA bus matrix block decodes the access requests coming from the masters and forwards them to the target module interface together with the required sideband signals. The AMBA bus matrix block provides all the needed interface functions between the masters and the memory peripheral. It will generate proper HSEL signals, and multiplex the response coming from the modules. In addition, the AMBA bus matrix block takes care of forwarding the transfer according to a fixed priority policy described in the AMBA chapter.

Besides the AHB-Lite and sideband signals, the MCU has access to further Core specific signals, relevant for memory protection .

11.3 NVM Module (Flash Memory)

The Flash Memory provides an embedded user-programmable non-volatile memory, allowing fast and reliable storage of user code and data.

Features

- In-system programming via LIN (Flash Mode) and SWD
- Error Correction Code (ECC) for detection of single-bit and double-bit errors and dynamic correction of single Bit errors.
- Interrupts and signals double-bit error by NMI
- Possibility of checking single bit error occurrence by ROM routines
- Program width of 128 byte (page)
- Minimum erase width of 128 bytes (page)
- Integrated hardware support for EEPROM emulation
- 8 byte read access
- Physical read access time: 75 ns
- Code read access acceleration integrated; read buffer and automatic pre-fetch
- Page program time: 3 ms
- Page erase (128 bytes) and sector erase (4K bytes) time: 4ms

Note: The user has to ensure that no flash operations which change the content of the flash get interrupted at any time.

The clock for the NVM is supplied with the system frequency f_{sys} . Integrated firmware routines are provided to erase NVM, and other operations including EEPROM emulation are provided as well.

The TLE9868QXB20 NVM module provides physical implementation of the memory module as well as needed complementary features and interface towards the core.

The TLE9868QXB20 NVM module consists of the memory cell array and all the control circuits and registers needed to access the array itself. The 128 Kbyte data module is mapped in the M3 code address range 11000000H - 1101FFFFH while the dedicated SFRs are mapped in the M3 system address range 58004000H - 58007FFFH.

Access of NVM module is granted through the AMBA matrix block that forwards to the memory modules AHB-Lite interfaces the requests generated by the masters according to the defined priority policy.

11.3.1 Definitions

This section defines the nomenclature and some abbreviations. The used flash memory is a non-volatile memory ("NVM") based on a floating gate one-transistor cell. It is called "non-volatile" because the memory content is kept when the memory power supply is shut off.

11.3.1.1 General Definitions

Logical and Physical states

Erasing

The erased state of a cell is '1'. Forcing an NVM cell to this state is called erasing. Erasing is possible with a granularity of a page (see below).

Writing

The written state of a cell is '0'. Forcing an NVM cell to this state is called writing. Each bit can be individually written.

Programming

The combination of erasing and writing is called 'programming'. Programming often means also writing a previously erased page.

The wording 'write' or 'writing' are also used for accessing special function registers and the assembly buffer. The meaning depends therefore on the context.

The above listed processes have certain limitations:

Retention: This is the time during which the data of a flash cell can be read reliably. The retention time is a statistical figure that depends on the operating conditions of the flash array (temperature profile) and the accesses to the flash array. With an increasing number of program/erase cycles (see endurance) the retention is lowered. Drain and gate disturbs decrease data retention as well.

Endurance: As described above, the data retention is reduced with an increasing number of program/erase cycles. A flash cell incurs one cycle whenever its page or sector is erased. This number is called "endurance". As said for the retention, it is a statistical figure that depend on operating conditions and the use of the flash cells and on the required quality level.

Drain Disturb: Because of using a so called "one-transistor" flash cell each program access disturbs all pages of the same sector slightly. Over long these "drain disturbs" make 0 and 1 values indistinguishable and thus provoke read errors. This effect is again interrelated with the retention. A cell that incurred a high number of drain disturbs will have a lower retention. The physical sectors of the flash array are isolated from each other. So pages of a different sector do not incur a drain disturb. this effect must be therefore considered when the page erase feature is used or when re-programming an ready programmed page (implicitly causing an erase of the page before writing the new data).

Data Portions

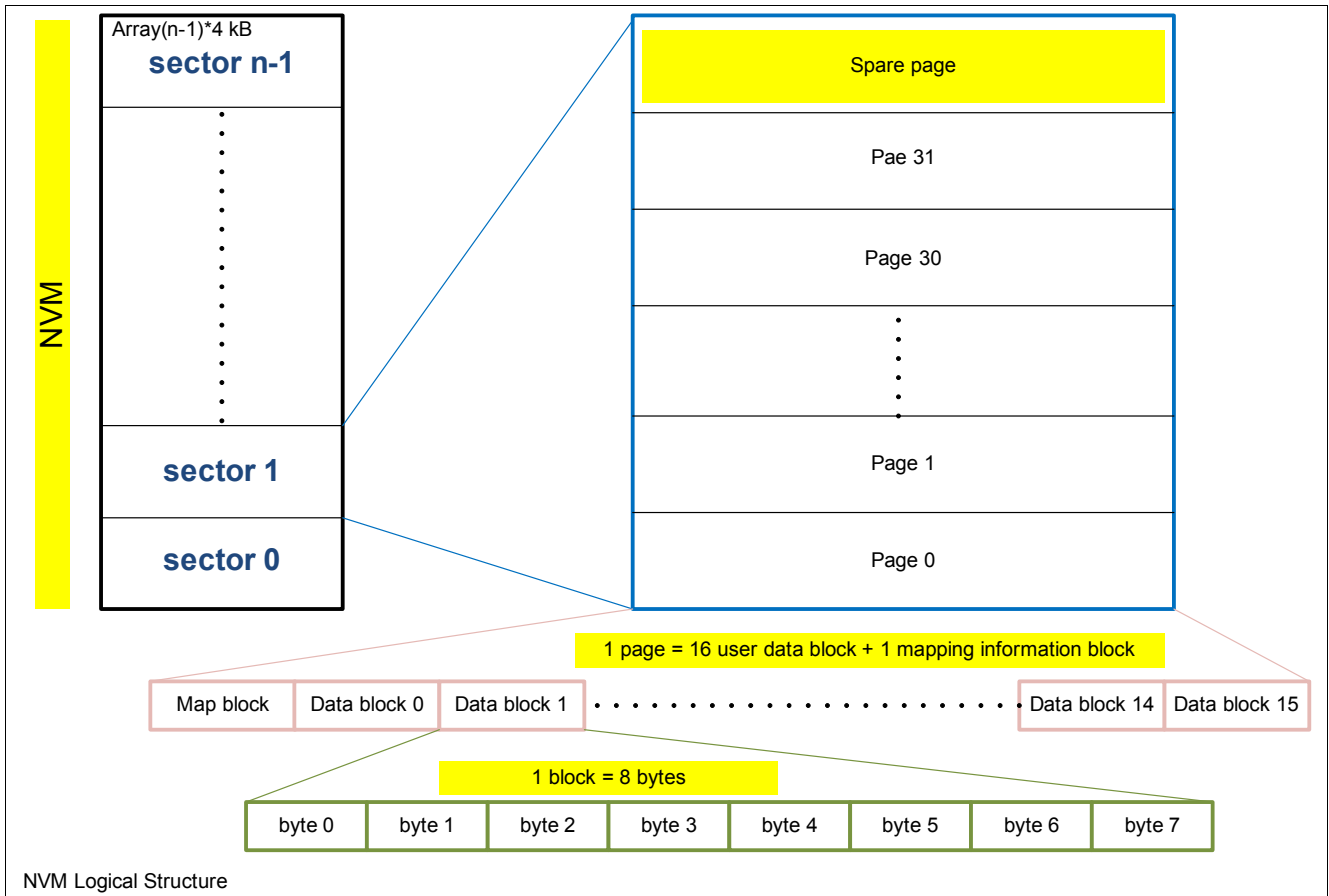


Figure 36 Logical structure of the NVM core

Doubleword

A doubleword consists of 64 bits. A doubleword represents the data size that is read from or written to the NVM core module within one access cycle.

Block

A block consists of one doubleword and its associated ECC data (64 bit data and 8 bit ECC). A block represents the smallest data portion that can be changed in the assembly buffer. Since the ECC protects 64 bits, when a byte is written to the assembly buffer automatically an NVM internal read of the complete block is triggered, the byte and the ECC are updated and the complete block is written back to the assembly buffer.

Mapblock

A map block consists of a module specific number of ECC -protected bits that hold the necessary information to map a physical page to a logical page.

Page

A page consists of 16 blocks and one map block.

Spare page

A spare page is an additional page in a sector used in each programming routine to allow tearing-safe programming.

Sector

A sector consists of 32 logical and 33 physical page.

11.3.2 Functional Description

The main tasks of the NVM module are reading from the memory array, writing to the assembly buffer, enabling (tearing safe) programming of a single page, provide basic in-module functionality for code protection and prefetch feature for optimized system performance. The main features are listed following:

- 128 KB memory size
- 4 KB configuration sector
- 3 ms write time per page
- 4 ms erase time per page
- Error correction and Error Detection code (ECC and EDC)
- In module memory protection logic
- Prefetch logic for optimized module performance

11.3.2.1 Basic Block Functions

Figure 37 shows a schematic block diagram of the NVM module

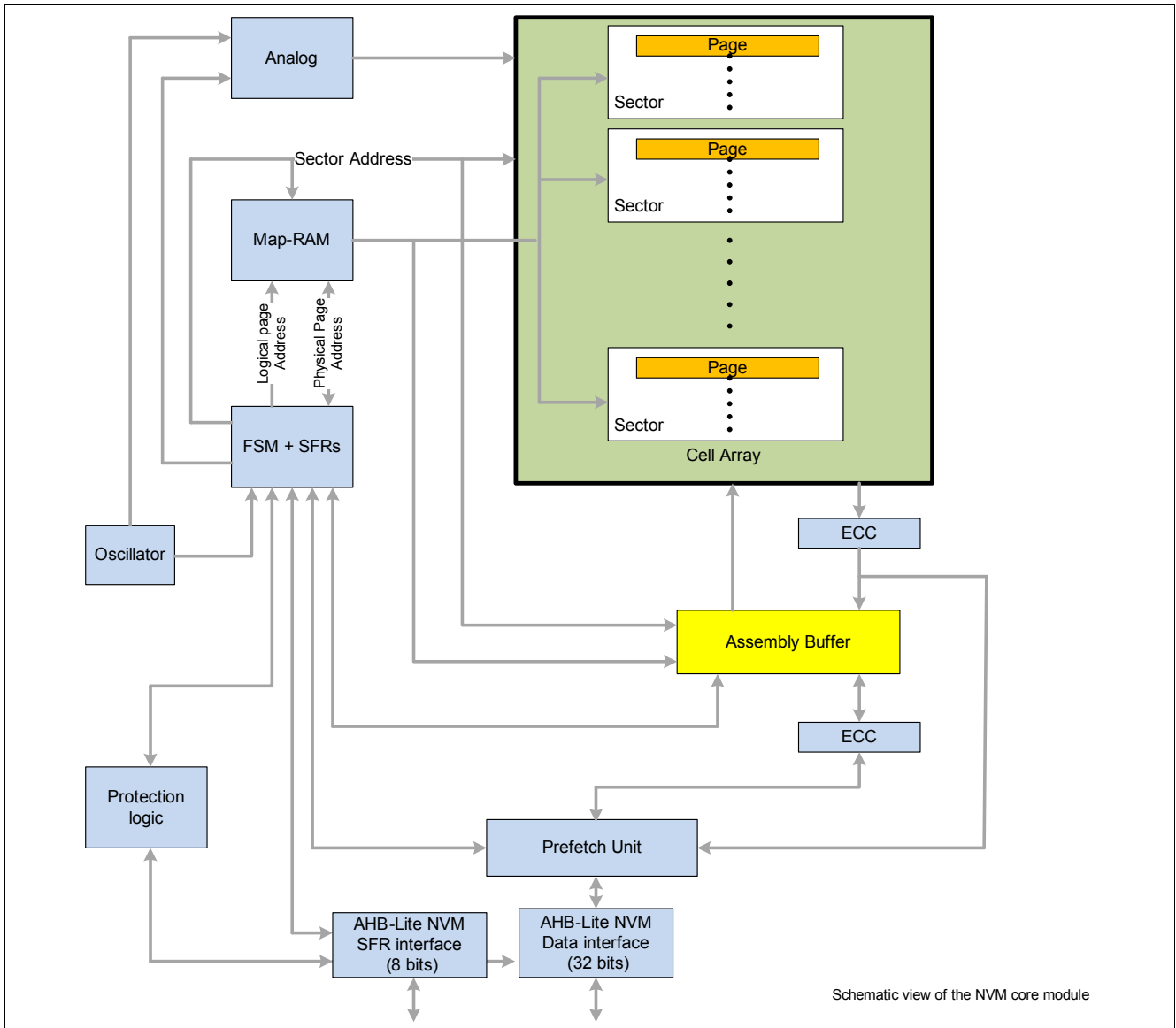


Figure 37 Schematic view of the NVM core module

11.3.2.2 Memory Cell Array

The non-volatile memory cells are organized in sectors, which consists of pages, which are structured in blocks and map block.

Page

Each page consists of 16 data blocks of 64 bits each and one map block. The map block stores the mapping information of the page in the sector. All blocks of a page are ECC-protected.

A page is the smallest granularity of data that can be changed (erased or written) within the cell array. One data block is the minimum granularity of data that can be read from the NVM module within memory read access.

Employing the integrated EEPROM emulation using the map RAM, the minimum granularity of data that can be changed in the NVM is one byte, while all other bytes in the page do not change.

Assembly Buffer

The assembly buffer is a RAM that can hold the content of one page including the mapblock.

Sector

A sector consists of 33 physical pages. 32 pages can be logically addressed during a memory access. One page is internally used as a spare page.

Map RAM

The map RAM is a static RAM that holds the mapping of a logical page addresses to physical page addresses for each sector. It is completely handled by the NVM programming related BootROM routines. The map-RAM currently is sized to support a max of 16 map-RAM mapped sectors.

FSM and SFR Block

This block contains the special function registers (SFRs) of the NVM module. Beside memory reads and writes to the assembly all interactions of the BootROM software with the module take place through register accesses. The finite state machine (FSM) controls the actions (e.g. read, erase and write) of the NVM module.

Analog Components

The module contains analog components to provide all the voltages necessary for erasing, writing and reading the non-volatile memory cells.

11.3.2.3 SFR Accesses

All SFRs can only be accessed through the NVM related BootROM routines, that is, the customer software cannot access the SFRs directly but has to use BootROM routines.

11.3.2.4 Memory Read

The NVM memory internally can be read with a minimum granularity of one block (64 data bits).

If the block is not within the memory address range of the NVM module, the module does not react at all and a different memory module may handle the access.

Memory read accesses are only possible while no FSM procedures (program, init, sleep or copy) is in progress. A memory read access while the FSM is busy is stalled as long as the FSM is busy and the access is carried out when the FSM is in idle mode again.

Since a read to the memory field takes a fixed time mostly independent of the system frequency, an optimized number of waitstates (3, 1 or, 0) is generated for different system frequencies.

Furthermore, a module internal read buffer holds the block read last. An access to an address within this block does not trigger a new reading from the memory field but is directly served from the read buffer.

To reduce system performance penalties due to the waitstates, a special local in-module prefetch unit is implemented.

11.3.2.5 Memory Write

Data is not written to the memory array directly, but to the assembly buffer and then copied into the cell array by the write sequence.

Memory writes are handled through the BootROM software, which at first copies the existing content of a page to the assembly buffer, allows the user to modify the content of the assembly buffer and afterwards executes the programming of the data to the memory field followed by a verification step.

11.3.2.6 Timing

The target timing of the hardware sequences excluding the software overhead is shown below:

- Erase: 4.0 ms per page
- Write: 3.0 ms per page
- Program (= Erase+ Write): 7.0 ms per page

The disturb handling routine when enabled with a probability of a approximately 0.1% adds additional 7.0 ms to a page write or program operation.

11.3.2.7 Verify

The data programmed by the BootROM function is verified by the BootROM routine itself. The programmed data in the cell array is compared with the data still available in the assembly buffer. This is done using suitable hard-read levels. These hard-read levels provide a margin compared to the normal read level to ensure that the data is actually programmed with suitably distinct levels for written and erased bits.

11.3.2.8 Tearing-Safe programming

The mapping mechanism of the NVM module is used like a log-structured file system: When a page is programmed in the sector the old values are not physically overwritten, but a different physical page (spare page) is programmed in the same sector in fact. If the programming fails (e.g. because of power loss during the erase or write procedure), the old values are still present in the sector. The BootROM routines therefore can program a single page in a tearing-safe way.

When an erase or write procedure to the memory field was interrupted by a power-down, this is identified during the reconstruction of the map-RAM content after the next reset. In this case, a special routine in the BootROM (called Service Algorithm) is automatically started, identifies this tearing case of respective logical page and repairs the NVM state, ensuring that either the old or the new data (or both) are fully valid.

11.3.2.9 Disturb handling

Due to the implementation of the cell array, while writing a page into the cell array all other pages within the same sector are slightly written (disturbed) too. If some pages of a sector are changed often and other pages of the same sector only rarely, these rarely programmed pages may be disturbed too often and loose their data.

If the disturbs for a page exceed a specific value (this happens only when a different page in the same sector is programmed), the page has to be reprogrammed (refreshed). A dedicate option of the programming routines provided with the BootROM make sure that the pages are refreshed in time.

As mentioned, the refreshing of a page - when actually triggered - will double the overall programming time.

11.3.2.10 ECC and EDC

The NVM module provides all needed logic for proper error correction and detection logic. Since the block is the smallest data portion used for accessing the array in read and write, the ECC and EDC are performed at block level. Requirement is to provide a single bit ECC and 2 bits EDC per block, that is 1 bit correction over 64 data bits.

Since the ECC protects 64bits, when a byte is written to the assembly buffer automatically an NVM internal read of the complete block is triggered, the byte and the ECC are updated and the complete block is written back to the assembly buffer.

11.3.2.11 Resume from disturbed Program/Erase operation

If a NVM operation like Program or Erase was interrupted by any means, then a data integrity check of the data flash is required. The data integrity check can be done by performing a cold reset, power-up reset, pin reset, WDT1 reset or exit from SleepMode. All these resets are running through the MapRAM Initialization of the BootROM, which executes the Service Algorithm in case a data integrity issue inside the data flash was detected. The Service Algorithm tries to resolve a data integrity issue by erasing erroneous data flash pages in order to maintain an proper data flash mapping. The return value of the Service Algorithm is provided inside the register MEMSTAT to the user application. The user application has to evaluate the **MEMSTAT** register in order to perform appropriate corrective actions if needed. Furthermore the register **SYS_STARTUP_STS** provides status information about the MapRAM Initialization function executed during start-up. It allows the user directly to judge the data integrity of the data flash. In case the **SYS_STARTUP_STS** register reports a MapRAM Initialization fail it is not recommended to perform any further write operation to the data flash, as this might result in unrecoverable loss of data integrity inside the data flash. A reinitialization of the data flash by performing a SECTOR_ERASE will then be the only solution. Instead a reset of the device might be triggered in order to execute the Service Algorithm. If even the Service Algorithm fails to resolve the data integrity issue then the data flash sector has to be reinitialized. In order to provide full reliability of the data flash module and to avoid any loss of data integrity inside the data flash the user has to ensure that no NVM operation which changes the content of the data flash module, program or erase, get interrupted at any time. Appropriate actions to support this could be:

- the capacitor at the VS input has to be dimensioned large enough to provide enough charge to the device to keep the VS supply in the specified range until the NVM operation ended normally
- check the supply voltage to be high enough and stable before a NVM operation gets started in order to end the NVM operation normally without interruption
- disable interrupts in the system before a NVM operation gets started, reenables the interrupts upon return
- avoid nested NVM operations
- trigger the WDT1 in short-open-window mode for any NVM operation
- evaluate the return values of the NVM operations and perform corrective actions accordingly
- check the data integrity of the data flash by executing the USER_MAPRAM_INIT function and perform corrective actions accordingly

Note: The above mentioned recommendation do also apply to NVM write/erase operations to the code flash and as well as to the 100TP pages.

11.3.2.12 Code and Data Access through the AHB-Lite Interface

The system provides access to the data stored in the NVM cell array through an AHB Lite interface. Whenever the core needs to fetch instructions or read data from or write data into the NVM module, a proper AHB Lite compliant access request is forwarded by the bus matrix block into the module.

11.3.2.13 Prefetch Unit

At typical system working frequency, each NVM read access into the array takes 3 system clock cycles to move into the read buffer a complete block (containing 64 data bits). Since the on-chip micro (Cortex M3) is 32-bit microprocessor with an instruction set made of 16-bit and 32 bit opcodes, the amount of data read in 1 array access contains from a minimum of 2 to a max of 4 instructions. For this reason, in case of 32-bit instructions sequential code execution, 3 waitstates every 2 executed instructions have to be added.

In order to reduce the performance penalties due to the access time of the NVM, an internal prefetch logic is implemented. The idea is to use a prefetch unit that, assuming a sequential code execution, starts reading in a second read buffer the next 64 data bits while the system is still moving out the previously accessed data.

The idea is to have two read buffers that work interleaved: while the first read buffer is used as source of data for the AHB-Lite buffer interface, the second one is starting in parallel a new cell memory array access, assuming that data will be required in sequential order. When all the data from the first read buffer have been moved out of the

memory module and the second one has completed the array access, then this last one will start providing data on the external bus while the first one will start prefetching next data from the array.

In case, a new non-sequential access request comes while both read buffers are filled with data not yet required by the core, the read buffer which was latest filled will be made available, flushing its content, to serve as soon as possible the non-sequential access request.

11.4 BootROM Module

The TLE9868QXB20 BootROM module provides physical implementation of the memory module as well as needed complementary features and interface towards the core.

The BootROM module in TLE9868QXB20 has a capacity of 24 Kbyte, organized with words of 32 bits.

The BootROM contents consists basically of three parts, used for:

startup and boot SW

Boot Strap Loader routines

User routines

11.4.1 BootROM addressing

The BootROM, as visible from the memory map, is mapped starting at the address range 00000000_H - $00007FFF_H$. After any reset, the device hardware-controlled start address is 00000000_H . At this location, the first instruction of the startup procedure is stored.

11.4.2 BootROM firmware program structure

The BootROM firmware provides basic functionality required to be executed after reset and routines for specific operation, such as:

Startup routines, which is the main control firmware in the BootROM executed after every reset. This routine checks which kind of reset was issued and accordingly performs different kinds of operation to properly configure the device.

Bootstrap loader, which provides basic functionality for code and data upload via LIN or UART into the RAM or NVM module.

User routines, which provide functions for proper NVM operation handling and other useful ready-to-use routines designed for the customer.

For a complete description of the BootROM code, please refer to the BootROM Manual.

11.5 RAM Module

The TLE9868QXB20 RAM module provides physical implementation of the memory module as well as needed complementary features and interface towards the core.

The RAM module in TLE9868QXB20 has a capacity of 4 Kbyte, organized with words of 32 bits.

The module supports 1 bit Error correction and 2 bits error detection per 32-bit word (actually requiring 7 bits parity per word). When an ECC error occurs, the corresponding status flag in the register EDCSTAT will be set. A double bit error can be configured via the interrupt enable bit in register EDCCON to trigger an exception.

11.5.1 RAM Addressing

The RAM, as visible from the memory map, is mapped at the address range 18000000_H - $18000FFF_H$. The module is mapped in the code area of the M3 map regions and can be used as program memory for code fetching as well as data storing.

11.6 Memory Protection Unit (MPU)

The target of the memory protection scheme is to prevent unauthorized read out of critical data and user IPs from the BootROM and NVM. Two memory protection schemes are offered in the TLE9868QXB20.

The first memory protection scheme involves the blocking of all external access to the device by firmware. Firmware will block all the boot options such that it is not possible to load and execute any external code. To enable this protection scheme a valid password must be programmed via the BootROM password routine.

The second memory protection scheme is hardware based; Instructions accessing memories executed from the unsafe memory address (e.g. RAM) that target the BootROM or NVM are blocked when the respective protection mode is enabled.

12 Interrupt System

12.1 Features

- Up to 16 interrupt nodes for on-chip peripherals
- Up to 8 NMI nodes for critical system events
- Maximum flexibility for all 16 interrupt nodes

12.2 Introduction

Before enabling an interrupt, all corresponding interrupt status flags should be cleared.

12.2.1 Overview

The TLE9868QXB20 supports 16 interrupt vectors with 16 priority levels. Fifteen of these interrupt vectors are assigned to the on-chip peripherals: GPT12, SSC, CCU6, Bridge Driver and A/D Converter are each assigned to one dedicated interrupt vector; while UART1 and Timer2 or UART2, External Interrupt 2 and Timer21 share interrupt vectors. Two vectors are dedicated for External Interrupt 0 and 1.

A non-maskable interrupt (NMI) with the highest priority is shared by the following:

- Watchdog Timer, warning before overflow
- MI_CLK Watchdog Timer overflow event
- PLL, loss of lock
- Flash, on operation complete e.g. erase.
- Oscillator watchdog detection for too low oscillation of f_{OSC}
- Flash map error
- Uncorrectable ECC error on Flash and RAM
- VSUP supply prewarning when any supply voltage drops below or exceeds any threshold.
- Overtemperature prewarning when system temperature exceeds a certain limit.

Figure 38, **Figure 41**, **Figure 42**, **Figure 43** and **Figure 43** give a general overview of the interrupt sources and nodes, and their corresponding control and status flags. **Figure 48** gives the corresponding overview for the NMI sources. The table below shows the available interrupt vectors.

Table 48 Interrupt Vector Table

Service Request	Node ID	Description
GPT12	0/1	GPT interrupt (T2-T6, CAPIN)
MU- ADC8/T3	2	Measurement Unit, VBG, SD-ADC, Timer3
ADC1	3	ADC1 interrupt / VREF5V Overload / VREF5V OV/UV
CCU0	4	CCU6 node 0 interrupt
CCU1	5	CCU6 node 1 interrupt
CCU2	6	CCU6 node 2 interrupt
CCU3	7	CCU6 node 3 interrupt
SSC1	8	SSC1 interrupt (receive, transmit, error)
SSC2	9	SSC2 interrupt (receive, transmit, error)
UART1	10	UART1 (ASC-LIN) interrupt (receive, transmit), Timer2, linsync1, LIN
UART2	11	UART2 interrupt (receive, transmit), Timer21, External interrupt (EINT2)

Table 48 Interrupt Vector Table

Service Request	Node ID	Description
EXINT0	12	External interrupt (EINT0), MON
EXINT1	13	External interrupt (EINT1)
BDRV/CP	14	Bridge Driver / Charge Pump
n.u.	15	not used

Table 49 NMI Interrupt Table

Service Request	Node	Description
Watchdog Timer NMI	NMI	Watchdog Timer overflow
PLL NMI	NMI	PLL Loss-of-Lock
NVM Operation Complete NMI	NMI	NVM Operation Complete
Overtemperature NMI	NMI	System Overtemperature
Oscillator Watchdog NMI	NMI	Oscillator Watchdog / MI_CLK Watchdog Timer Overflow
NVM Map Error NMI	NMI	NVM Map Error
ECC Error NMI	NMI	RAM / NVM Uncorrectable ECC Error
Supply Prewarning NMI	NMI	Supply Prewarning

12.3 Functional Description

12.3.1 Interrupt Node Assignment

12.3.1.1 Interrupt Node 0 and 1 - GPT12 Timer Module

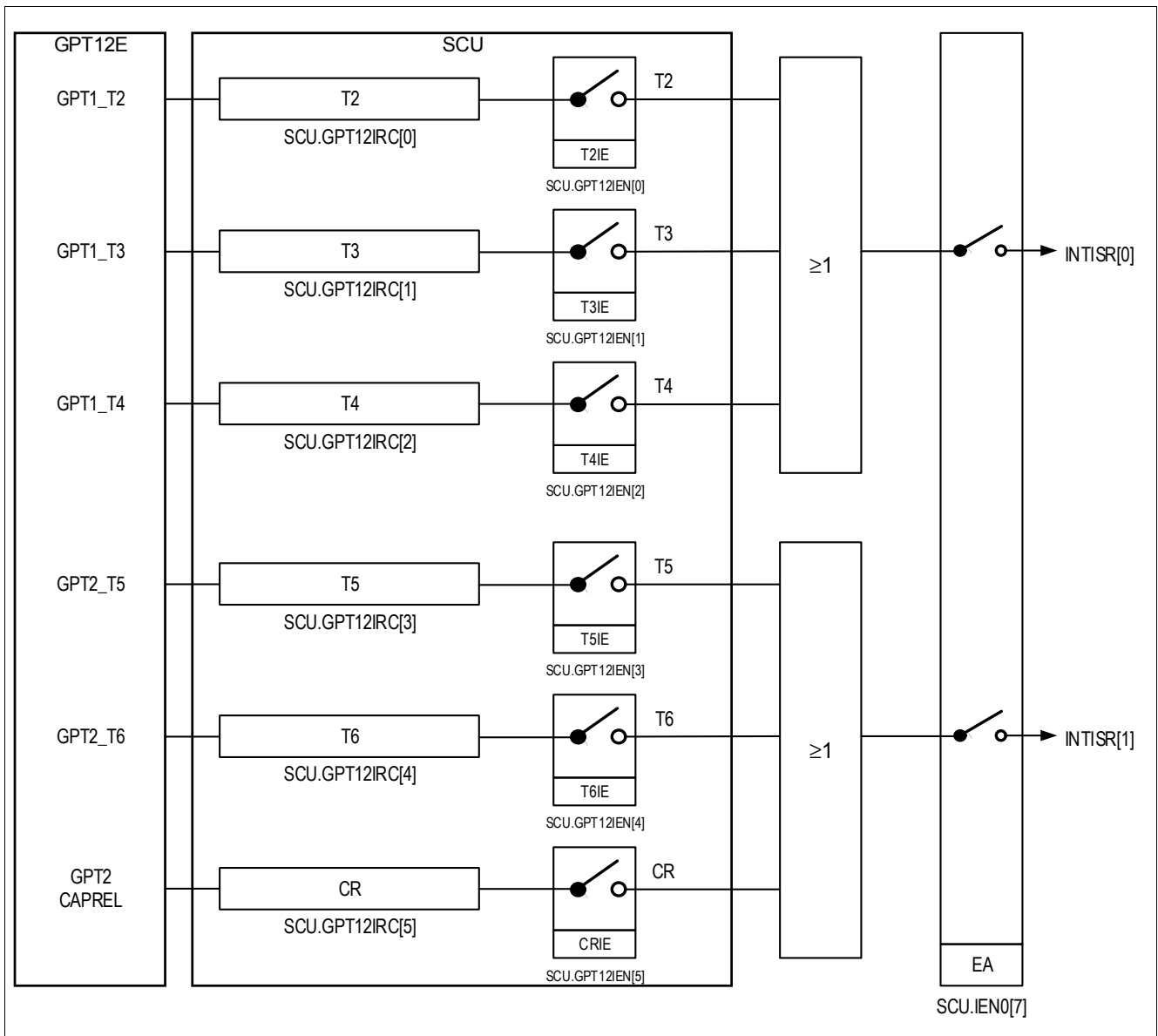


Figure 38 Interrupt Request Sources 0 and 1 (GPT12)

12.3.1.2 Interrupt Node 2 - Measurement Unit

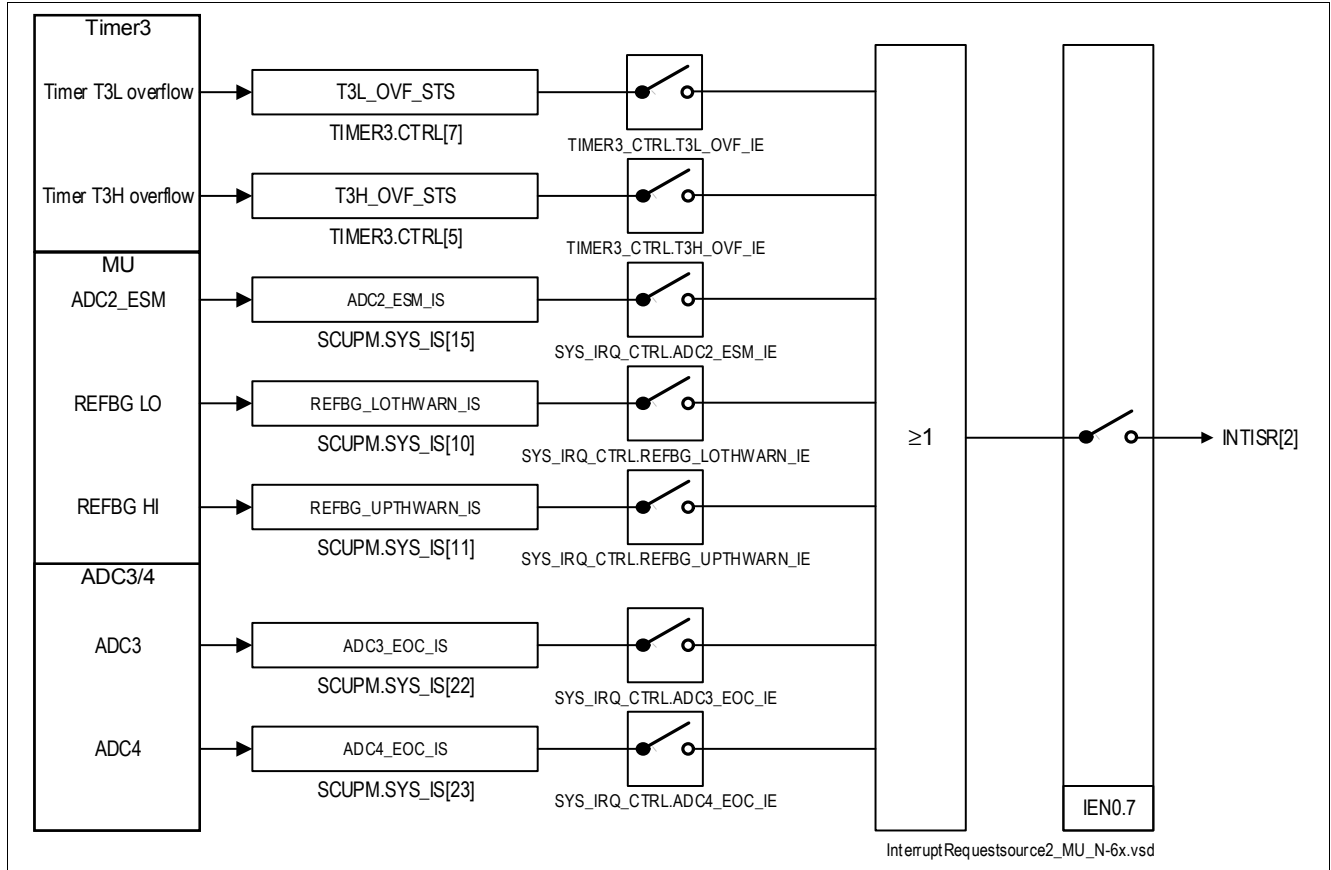


Figure 39 Interrupt Request Sources 2 (MU)

12.3.1.3 Interrupt Node 3 - 10 Bit ADC (ADC1)

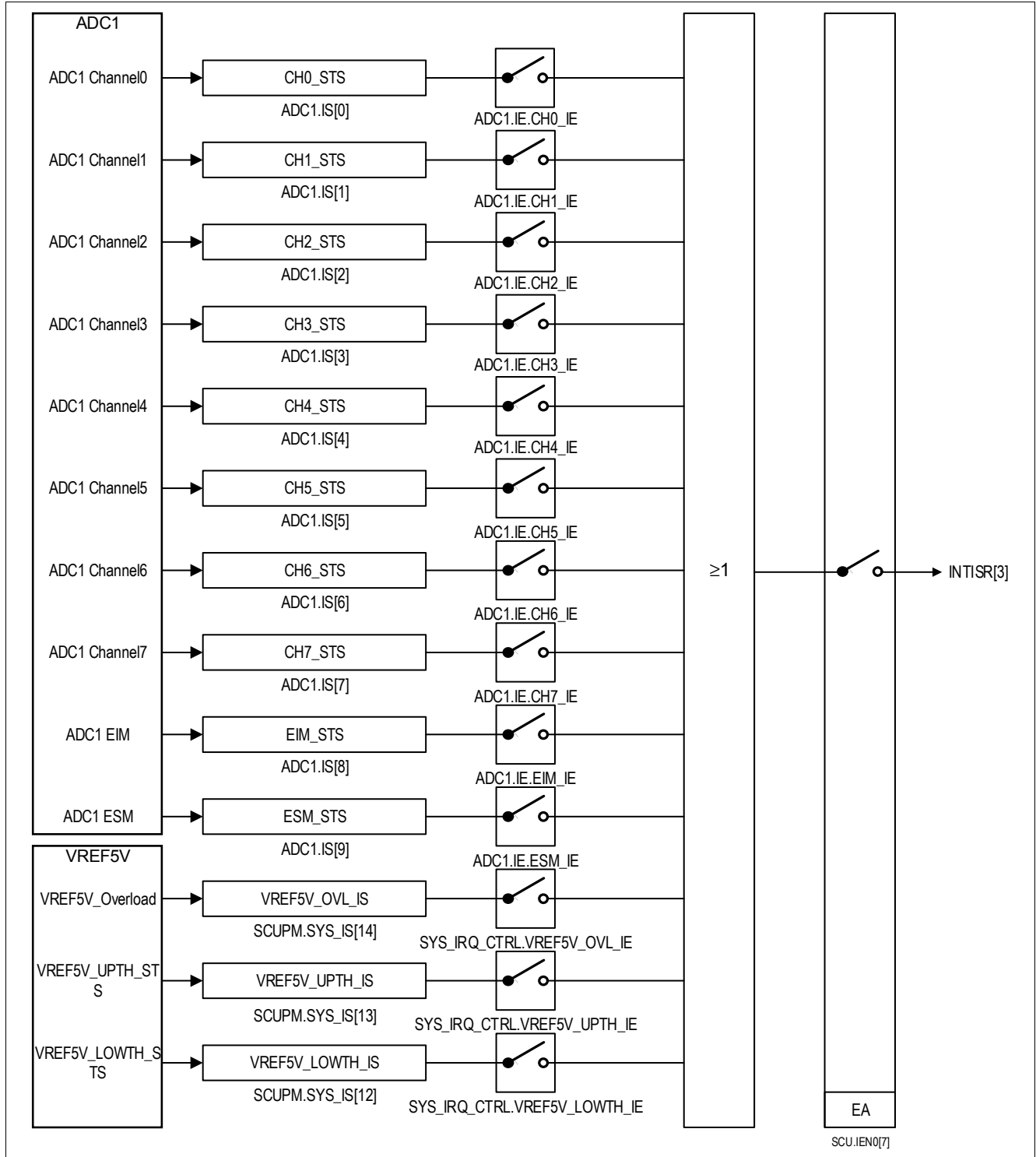


Figure 40 Interrupt Request Sources 3 (ADC1)

12.3.1.4 Interrupt Nodes 4/5/6/7 - Capture Compare Unit (CCU6)

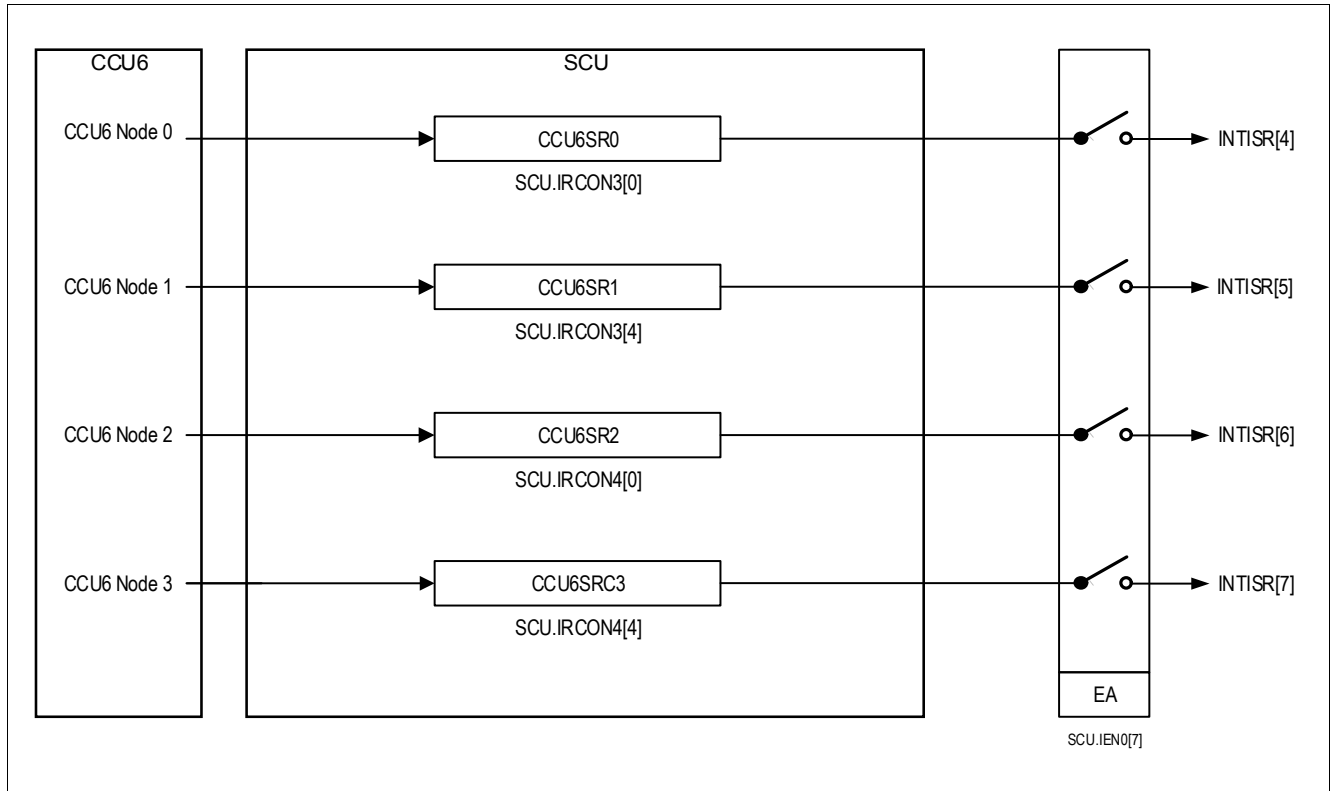


Figure 41 Interrupt Request Sources 4, 5, 6, 7 (CCU6)

12.3.1.5 Interrupt Node 8 and 9 - SSC1/SSC2

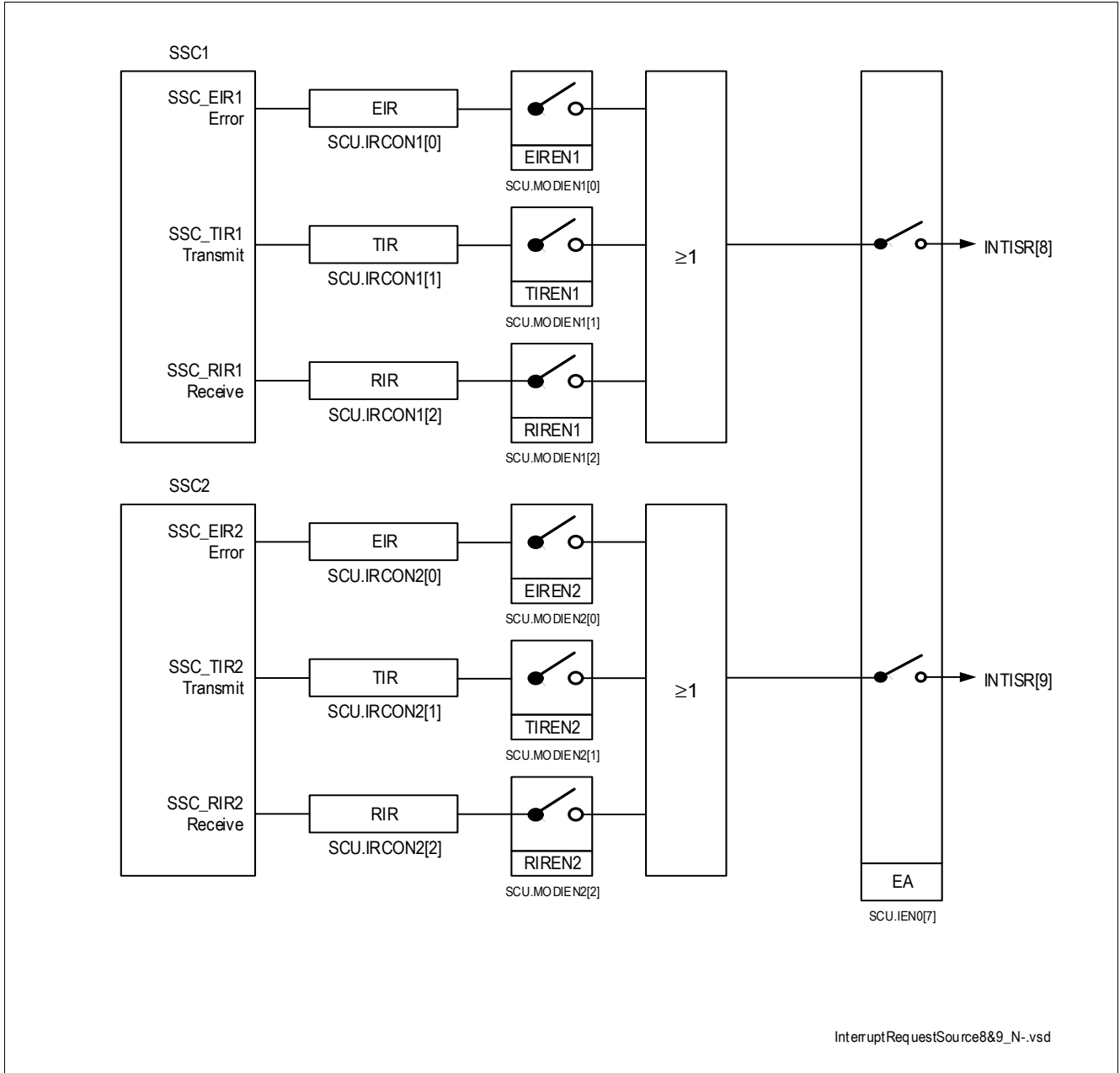


Figure 42 Interrupt Request Sources 8 and 9 (SSC)

12.3.1.6 Interrupt Node 10 - UART1/LIN Transceiver

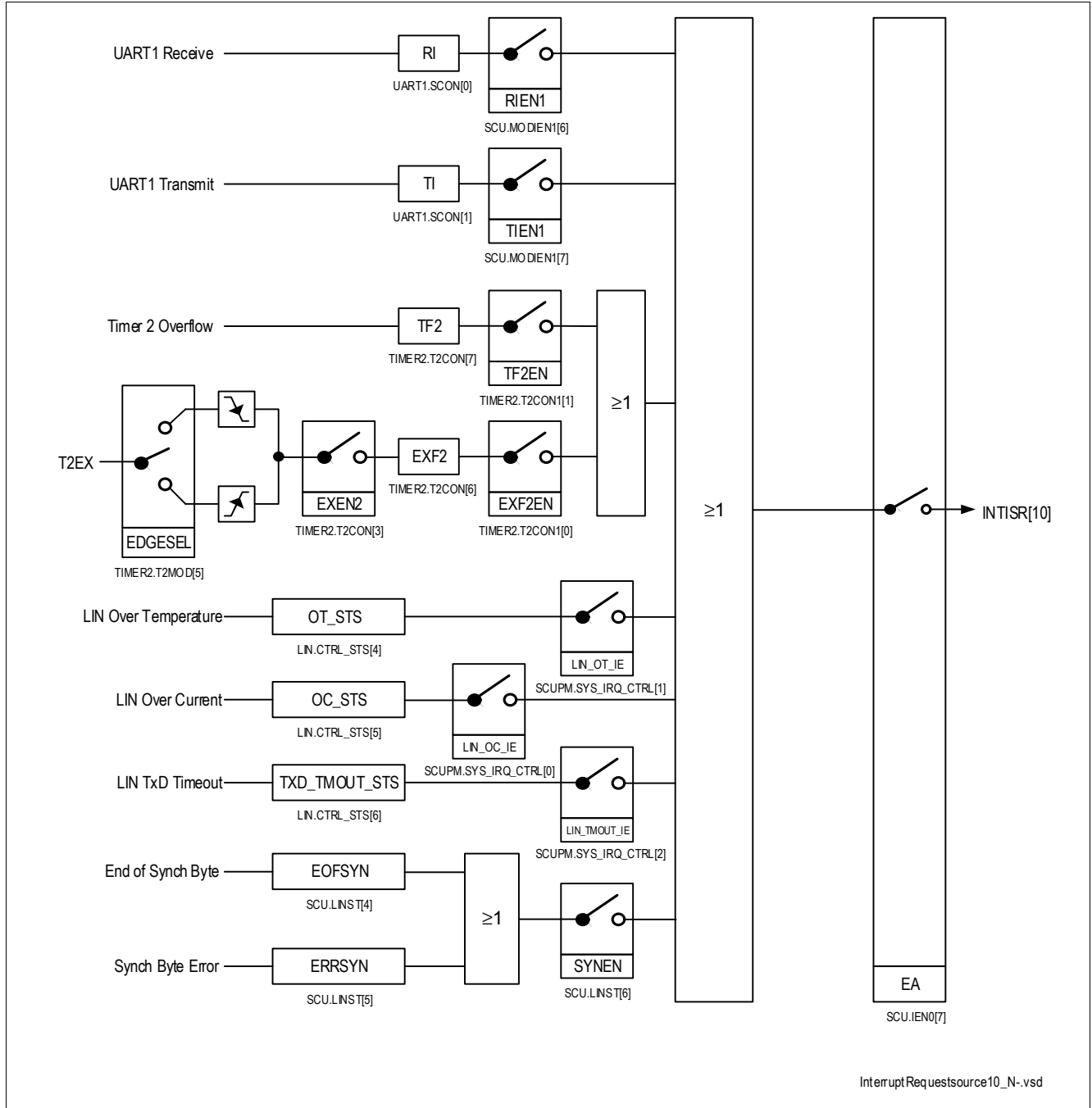


Figure 43 Interrupt Request Source 10 (UART1)

12.3.1.7 Interrupt Node 11 - UART2

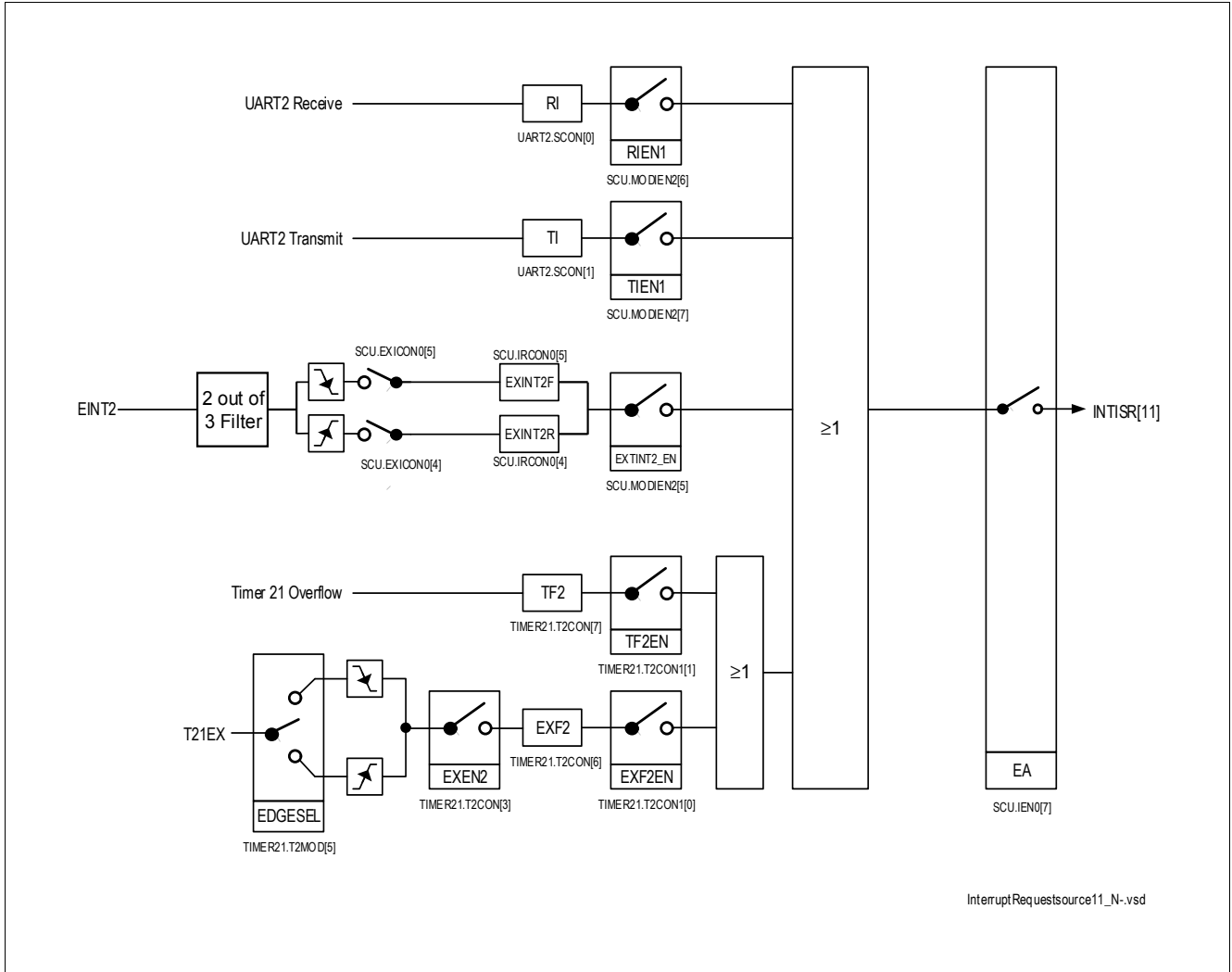


Figure 44 Interrupt Request Source 11 (UART2)

12.3.1.8 Interrupt Node 12 - External Interrupt 0/MON

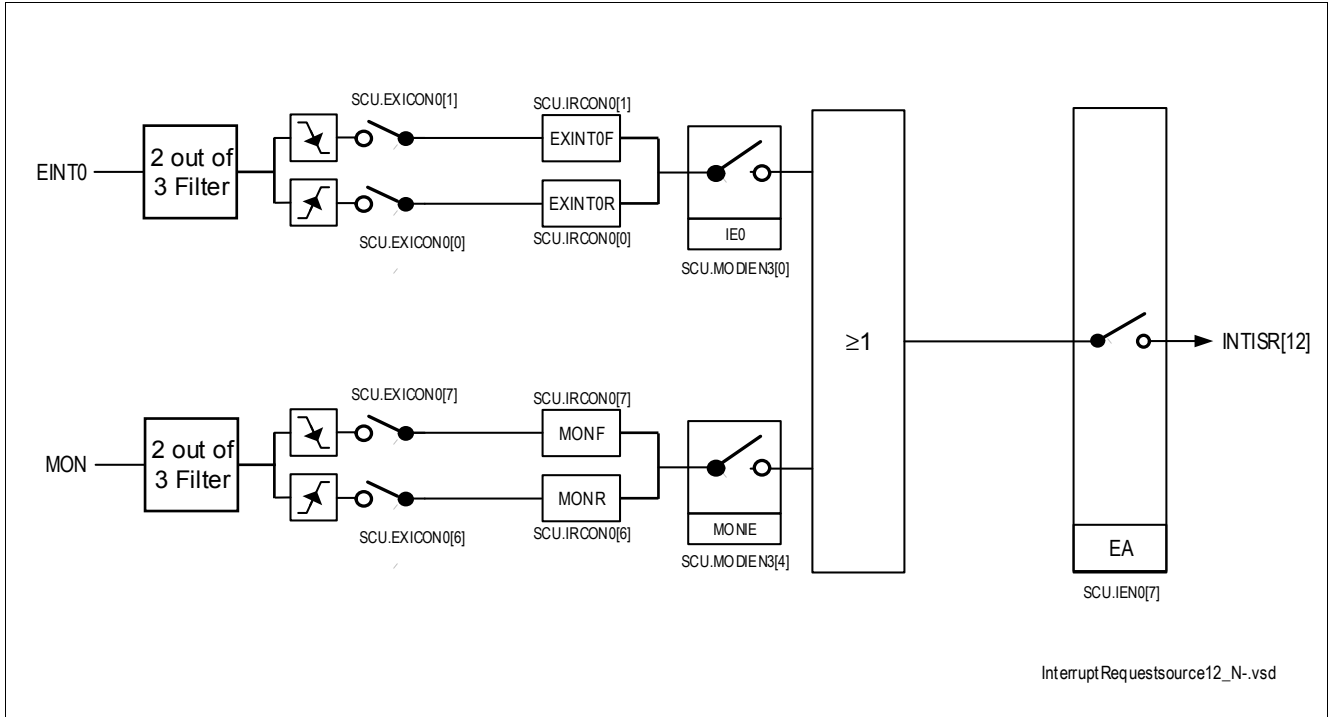


Figure 45 Interrupt Request Sources 12 (Interrupt)

12.3.1.9 Interrupt Node 13 - External Interrupt 1

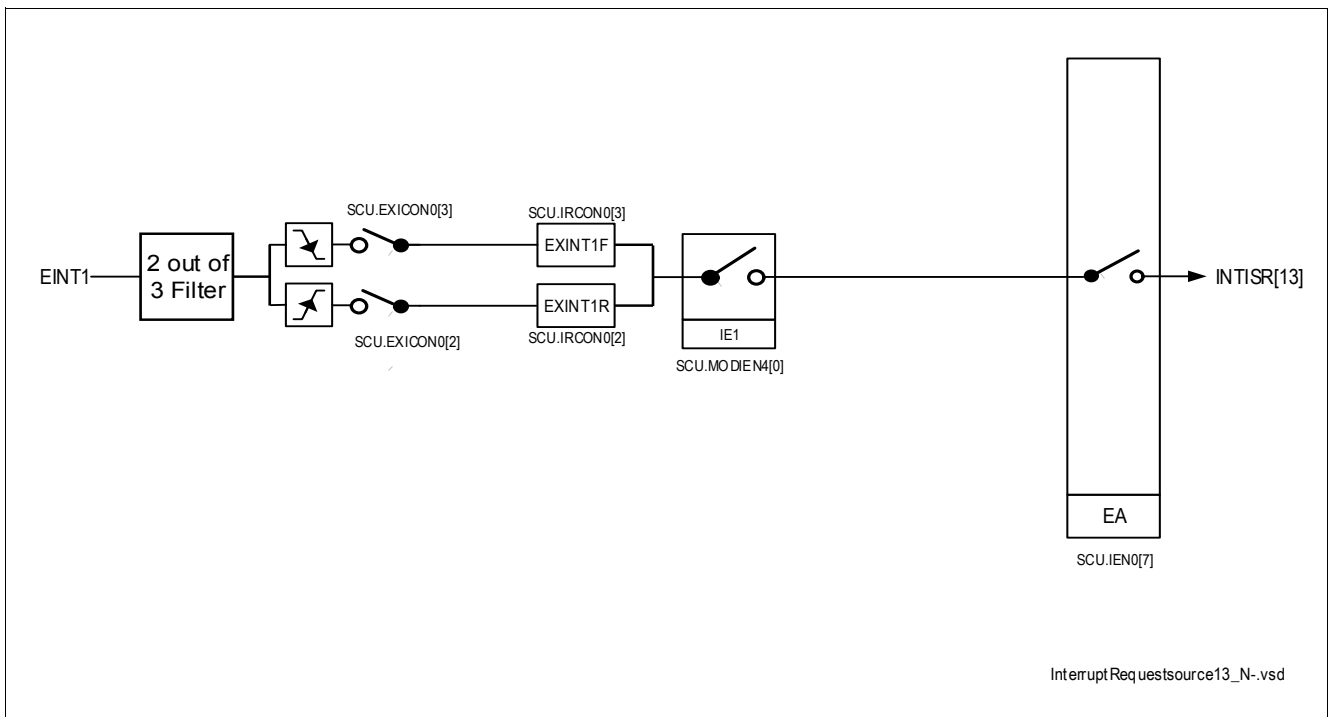


Figure 46 Interrupt Request Sources 13 (Interrupt)

12.3.1.10 Interrupt Node 14 - Bridge Driver

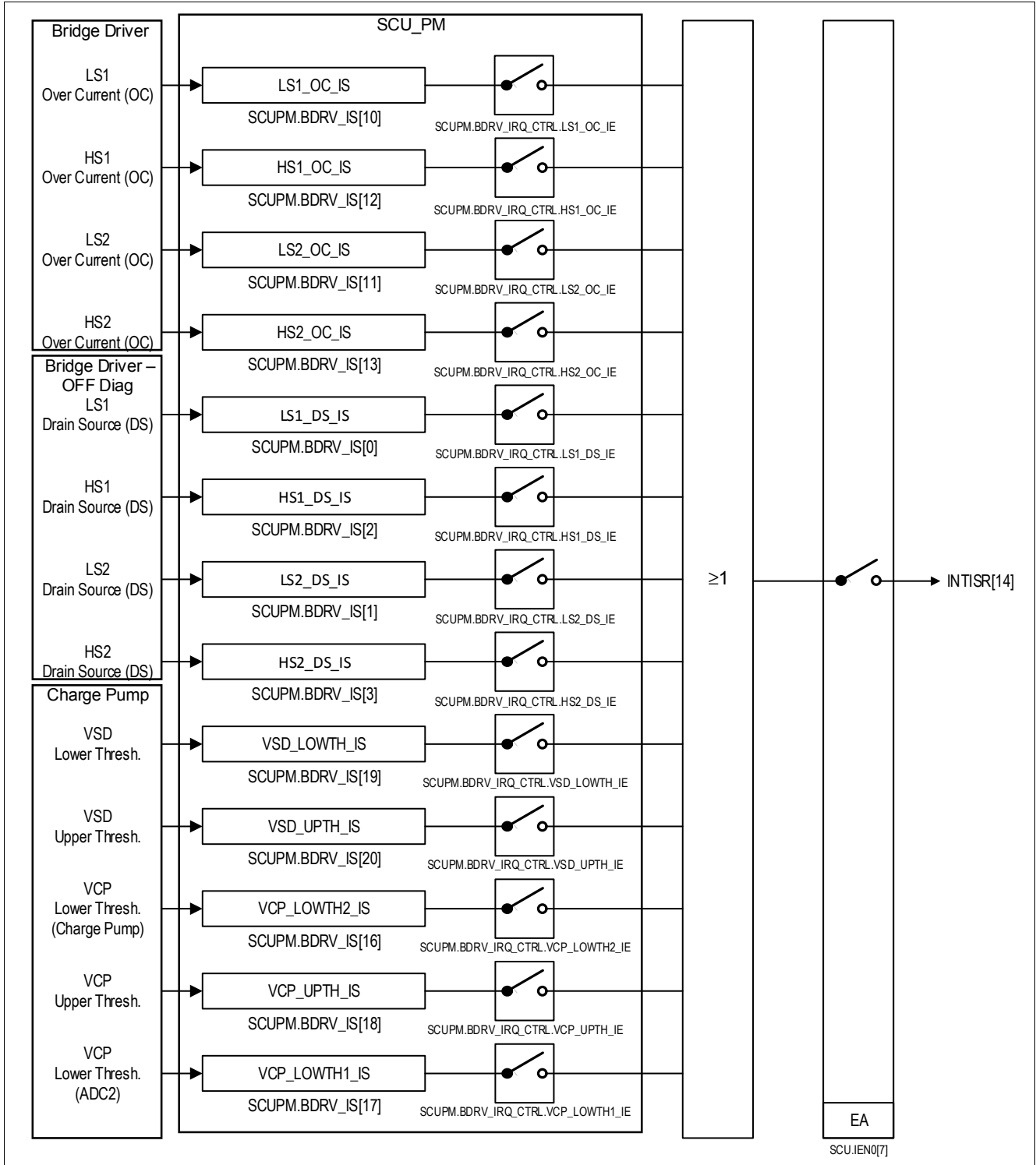


Figure 47 Interrupt Request Sources 14 (Bridge Driver)

12.3.1.11 Non Maskable Interrupt (NMI)

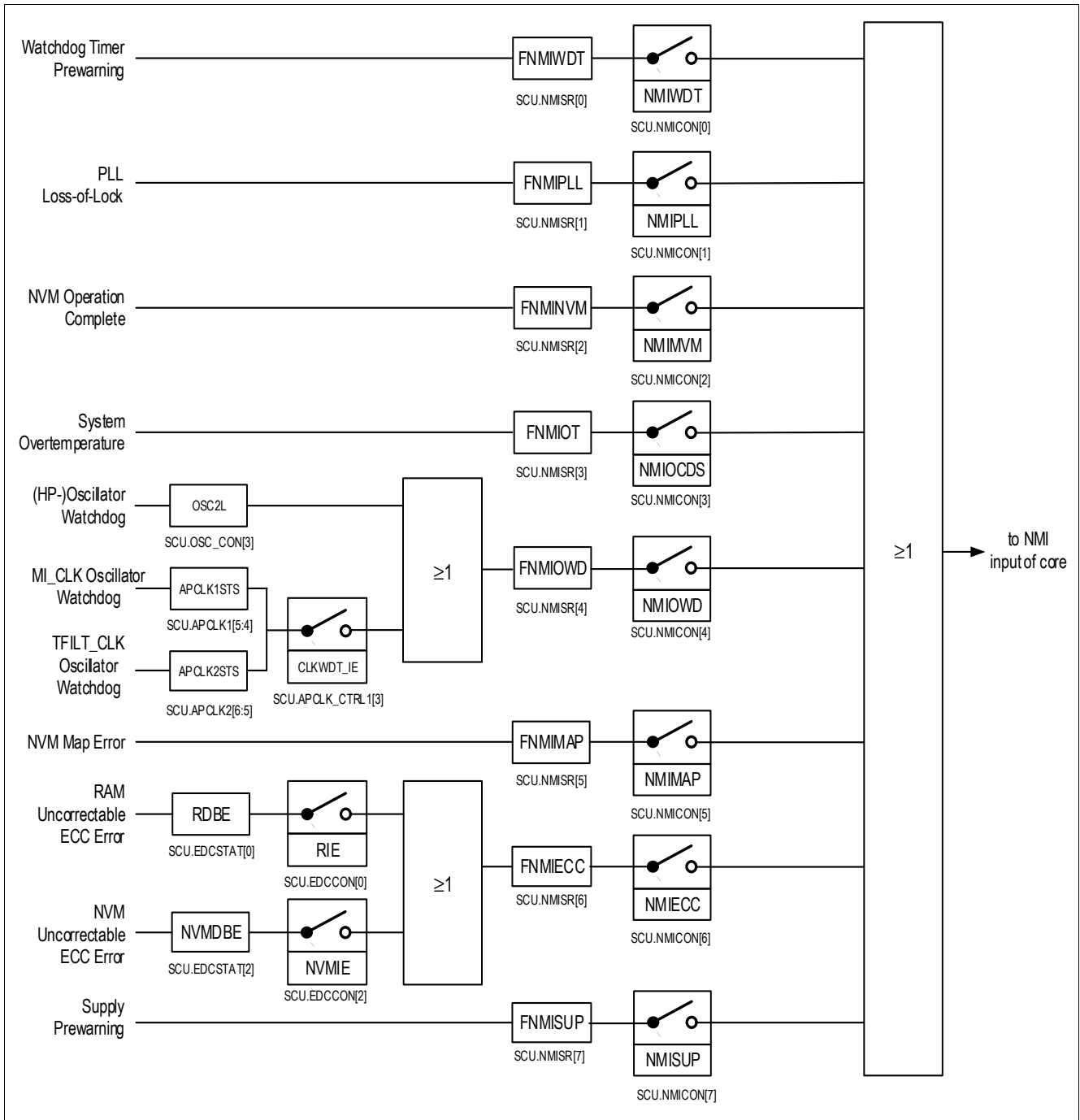


Figure 48 Non-Maskable Interrupt Request Source

12.3.1.12 Interrupt Flags Overview

Table 50 All Interrupt Flags and Enable

Service Request	Node ID	Level/Edge Sensitive	Duration	SFR Flag	Interrupt Enable
None Maskable Interrupts					
OT NMI					
SYS_OTWARN	NMI	edge	set until cleared by software	SCUPM. SYS_IS .SYS_OT_WARN_IS	SCUPM. SYS_IRQ_CTRL .SYS_OTWARN_IE
SYS_OT	NMI	edge	set until cleared by software	SCUPM. SYS_IS .SYS_OT_IS	SCUPM. SYS_IRQ_CTRL .SYS_OT_IE
PMU_OTWARN	NMI	edge	set until cleared by software	SCUPM. SYS_IS .PMU_OT_WARN_IS	SCUPM. SYS_IRQ_CTRL .PMU_OTWARN_IE
PMU_OT	NMI	edge	set until cleared by software	SCUPM. SYS_IS .PMU_OT_IS	SCUPM. SYS_IRQ_CTRL .PMU_OT_IE
Supply NMI					
PREWARN_SUP_VBAT_UV	NMI	edge	set until cleared by software	SCUPM. SYS_SUPPLY_IRQ_STS .VBAT_UV_IS	SCUPM. SYS_SUPPLY_IRQ_CTRL .VBAT_UV_IE
PREWARN_SUP_VS_UV	NMI	edge	set until cleared by software	SCUPM. SYS_SUPPLY_IRQ_STS .VS_UV_IS	SCUPM. SYS_SUPPLY_IRQ_CTRL .VS_UV_IE
PREWARN_SUP_VDD5V_UV	NMI	edge	set until cleared by software	SCUPM. SYS_SUPPLY_IRQ_STS .VDD5V_UV_IS	SCUPM. SYS_SUPPLY_IRQ_CTRL .VDD5V_UV_IE
PREWARN_SUP_VDD1V5_UV	NMI	edge	set until cleared by software	SCUPM. SYS_SUPPLY_IRQ_STS .VDD1V5_UV_IS	SCUPM. SYS_SUPPLY_IRQ_CTRL .VDD1V5_UV_IE
PREWARN_SUP_VBAT_OV	NMI	edge	set until cleared by software	SCUPM. SYS_SUPPLY_IRQ_STS .VBAT_OV_IS	SCUPM. SYS_SUPPLY_IRQ_CTRL .VBAT_OV_IE
PREWARN_SUP_VS_OV	NMI	edge	set until cleared by software	SCUPM. SYS_SUPPLY_IRQ_STS .VS_OV_IS	SCUPM. SYS_SUPPLY_IRQ_CTRL .VS_OV_IE
PREWARN_SUP_VDD5V_OV	NMI	edge	set until cleared by software	SCUPM. SYS_SUPPLY_IRQ_STS .VDD5V_OV_IS	SCUPM. SYS_SUPPLY_IRQ_CTRL .VDD5V_OV_IE
PREWARN_SUP_VDD1V5_OV	NMI	edge	set until cleared by software	SCUPM. SYS_SUPPLY_IRQ_STS .VDD1V5_OV_IS	SCUPM. SYS_SUPPLY_IRQ_CTRL .VDD1V5_OV_IE

Table 50 All Interrupt Flags and Enable (cont'd)

Service Request	Node ID	Level/Edge Sensitive	Duration	SFR Flag	Interrupt Enable
VDDP_OVERVOLT	NMI	level	set until cleared by software	PMU. PMU_SUPPLY_STS .PMU_5V_OVERVOLT	PMU. PMU_SUPPLY_STS .PMU_5V_FAIL_EN
VDDP_OVERLOAD	NMI	level	set until cleared by software	PMU. PMU_SUPPLY_STS .PMU_5V_OVERLOAD	PMU. PMU_SUPPLY_STS .PMU_5V_FAIL_EN
VDDC_OVERVOLT	NMI	level	set until cleared by software	PMU. PMU_SUPPLY_STS .PMU_1V5_OVERVOLT	PMU. PMU_SUPPLY_STS .PMU_1V5_FAIL_EN
VDDC_OVERLOAD	NMI	level	set until cleared by software	PMU. PMU_SUPPLY_STS .PMU_1V5_OVERLOAD	PMU. PMU_SUPPLY_STS .PMU_1V5_FAIL_EN
VDDEXT_OVERVOLT	NMI	level	set until cleared by software	PMU. VDDEXT_CTRL .OVERVOLT	PMU. VDDEXT_CTRL .FAIL_EN
VDDEXT_OVERLOAD	NMI	level	set until cleared by software	PMU. VDDEXT_CTRL .OVERLOAD	PMU. VDDEXT_CTRL .FAIL_EN
VDDEXT_SHORT	NMI	level	set until cleared by software	PMU. VDDEXT_CTRL .SHORT	PMU. VDDEXT_CTRL .FAIL_EN
MI_CLK CLKWDT	NMI	level		SCU. NMISR .FNMIOWD SCU. APCLK1 .APCLK1STS	SCU. NMICON .NMIOWD SCU. APCLK_CTRL1 .CLKWDT_IE
TFILT_CLK CLKWDT	NMI	level		SCU. NMISR .FNMIOWD SCU. APCLK2 .APCLK2STS	SCU. NMICON .NMIOWD SCU. APCLK_CTRL1 .CLKWDT_IE
(HP)Oscillator CLKWDT	NMI	level		SCU. OSC_CON .OSC2L	SCU. NMICON .NMIOWD
ECC Error NMI					
RAM Uncorrectable	NMI	level	set until cleared by software	SCU. EDCSTAT .RDBE	SCU. EDCCON .RIE
NVM Uncorrectable	NMI	level	set until cleared by software	SCU. EDCSTAT .NVMDBE	SCU. EDCCON .NVMIE
Supply Prewarning	NMI	level	set until cleared by software	SCU. NMISR .FNMISUP	SCU. NMICON .NMISUP
INTISR<0/1> → GPT12					
GPT12-T2	0	level	2 per_clk cycles	SCU. GPT12IRC .T2	SCU. GPT12IEN .T2IE
GPT12E T3	0	level	2 per_clk cycles	SCU. GPT12IRC .T3	SCU. GPT12IEN .T3IE

Table 50 All Interrupt Flags and Enable (cont'd)

Service Request	Node ID	Level/Edge Sensitive	Duration	SFR Flag	Interrupt Enable
GPT12E T4	0	level	2 per_clk cycles	SCU. GPT12IRC .T4	SCU. GPT12IEN .T4IE
GPT12E T5	1	level	2 per_clk cycles	SCU. GPT12IRC .T5	SCU. GPT12IEN .T5IE
GPT12E T6	1	level	2 per_clk cycles	SCU. GPT12IRC .T6	SCU. GPT12IEN .T6IE
GPT12E CAPREL	0/1	level	2 per_clk cycles	SCU. GPT12IRC .CR	SCU. GPT12IEN .CRIE
INTISR<2> → MU					
ADC2 ESM	2	level	set until cleared by software	SCUPM. SYS_IS .ADC2_E SM_IS	SCUPM. SYS_IRQ_CTRL .ADC2_ESM_IE
T3L overflow	2	level	set until cleared by software	TIMER3. CTRL .T3L_OVF_STS	TIMER3. CTRL .T3L_OVF_IE
T3H overflow	2	level	set until cleared by software	TIMER3. CTRL .T3L_OVF_STS	TIMER3. CTRL .T3H_OVF_IE
REF_BG_LO	2	level	set until cleared by software	SCUPM. SYS_IS .REFBG_LOTHWARN_IS MF. REF1_STS .REFBG_LOTHWARN_STS	SCUPM. SYS_IRQ_CTRL .REFBG_LOTHWARN_IE
REF_BG_HI	2	level	set until cleared by software	SCUPM. SYS_IS .REFBG_UPTHWARN_IS MF. REF1_STS .REFBG_UPTHWARN_STS	SCUPM. SYS_IRQ_CTRL .REFBG_UPTHWARN_IE
ADC4	2	level	set until cleared by software	SCUPM. SYS_IS .ADC4_E OC_IS	SCUPM. SYS_IRQ_CTRL .ADC4_EOC_IE
ADC3	2	level	set until cleared by software	SCUPM. SYS_IS .ADC3_E OC_IS	SCUPM. SYS_IRQ_CTRL .ADC3_EOC_IE
INTISR<3> → ADC 10 Bit					
ADC1 CH0	3	level	set until cleared by software	ADC1. IS .CH0_STS	ADC1. IE .CH0_IE
ADC1 CH1	3	level	set until cleared by software	ADC1. IS .CH1_STS	ADC1. IE .CH1_IE
ADC1 CH2	3	level	set until cleared by software	ADC1. IS .CH2_STS	ADC1. IE .CH2_IE
ADC1 CH3	3	level	set until cleared by software	ADC1. IS .CH3_STS	ADC1. IE .CH3_IE

Table 50 All Interrupt Flags and Enable (cont'd)

Service Request	Node ID	Level/Edge Sensitive	Duration	SFR Flag	Interrupt Enable
ADC1 CH4	3	level	set until cleared by software	ADC1. IS .CH4_STS	ADC1. IE .CH4_IE
ADC1 CH5	3	level	set until cleared by software	ADC1. IS .CH5_STS	ADC1. IE .CH5_IE
ADC1 CH6	3	level	set until cleared by software	ADC1. IS .CH6_STS	ADC1. IE .CH6_IE
ADC1 CH7	3	level	set until cleared by software	ADC1. IS .CH7_STS	ADC1. IE .CH7_IE
ADC1 ESM	3	level	set until cleared by software	ADC1. IS .ESM_STS	ADC1. IE .ESM_IE
ADC1 EIM	3	level	set until cleared by software	ADC1. IS .EIM_STS	ADC1. IE .EIM_IE
VREF5V Overload	3	level	set until cleared by software	SCUPM. SYS_IS .VREF5V_OVL_IS	SCUPM. SYS_IRQ_CTRL .VREF5V_OVL_IE
VREF5V_UPTH (VAREF)	3	level	set until cleared by software	SCUPM. SYS_IS .VREF5V_UPTH_IS	SCUPM. SYS_IRQ_CTRL .VREF5V_UPTH_IE
VREF5V_LOTH (VAREF)	3	level	set until cleared by software	SCUPM. SYS_IS .VREF5V_LOWTH_IS	SCUPM. SYS_IRQ_CTRL .VREF5V_LOWTH_IE
INTISR<4,5,6,7> → CCU6					
CCU0 ¹⁾ Node 0 (SR0)	4	level	2 per_clk cycles	SCU. IRCON3 .CCU6SR0	CPU. NVIC_ISER0 .Int_CC U6SR0
CCU1 ¹⁾ Node 1 (SR1)	5	level	2 per_clk cycles	SCU. IRCON3 .CCU6SR1	CPU. NVIC_ISER0 .Int_CC U6SR1
CCU2 ¹⁾ Node 2 (SR2)	6	level	2 per_clk cycles	SCU. IRCON4 .CCU6SR2	CPU. NVIC_ISER0 .Int_CC U6SR2
CCU3 ¹⁾ Node 3 (SR3)	7	level	2 per_clk cycles	SCU. IRCON4 .CCU6SR3	CPU. NVIC_ISER0 .Int_CC U6SR3
INTISR<8,9> → SSC1/SSC2					
SSC1 Error	8	level	2 per_clk cycles	SCU. IRCON1 .EIR	SCU. MODIEN1 .EIREN
SSC1 Transmit	8	level	2 per_clk cycles	SCU. IRCON1 .TIR	SCU. MODIEN1 .TIREN
SSC1 Receive	8	level	2 per_clk cycles	SCU. IRCON1 .RIR	SCU. MODIEN1 .RIREN

Table 50 All Interrupt Flags and Enable (cont'd)

Service Request	Node ID	Level/Edge Sensitive	Duration	SFR Flag	Interrupt Enable
SSC2 Error	9	level	2 per_clk cycles	SCU. IRCON2 .EIR	SCU. MODIEN2 .EIREN
SSC2 Transmit	9	level	2 per_clk cycles	SCU. IRCON2 .TIR	SCU. MODIEN2 .TIREN
SSC2 Receive	9	level	2 per_clk cycles	SCU. IRCON2 .RIR	SCU. MODIEN2 .RIREN
INTISR<10,11> → UART1/UART2					
UART1 Receive	10	level	copy of RI bit, set until cleared by software	UART1. SCON .RI	SCU. MODIEN1 .RIEN
UART1 Transmit	10	level	copy of TI bit, set until cleared by software	UART1. SCON .TI	SCU. MODIEN1 .TIEN
UART2 Receive	11	level	copy of RI bit, set until cleared by software	UART2. SCON .RI	SCU. MODIEN2 .RIEN
UART2 Transmit	11	level	copy of TI bit, set until cleared by software	UART2. SCON .TI	SCU. MODIEN2 .TIEN
LIN sync byte error	10	level		SCU. LINST .ERRSYN	SCU. LINST .SYNEN
LIN end of sync byte	10	level		SCU. LINST .EOFSYN	SCU. LINST .SYNEN
Timer2 Overflow	10	level		TIMER2. T2CON .TF2	TIMER2. T2CON1 .TF2EN
Timer2 T2EX	10			TIMER2. T2CON .EXF2	TIMER2. T2CON1 .EXF2EN
LIN OT	10	level		LIN. CTRL_STS .OT_STS	SCUPM. SYS_IRQ_CTRL .LIN_OT_IE
LIN OC	10	level		LIN. CTRL_STS .OC_STS	SCUPM. SYS_IRQ_CTRL .LIN_OC_IE
TxD_TMOUT	10			LIN. CTRL_STS .TXD_TMOUT_STS	SCUPM. SYS_IRQ_CTRL .LIN_TMOUT_IE
Timer21 Overflow	11	level		TIMER21. T2CON .TF2	TIMER21. T2CON1 .TF2EN
T21EX	11			TIMER21. T2CON .EXF2	TIMER21. T2CON1 .EXF2EN

Table 50 All Interrupt Flags and Enable (cont'd)

Service Request	Node ID	Level/Edge Sensitive	Duration	SFR Flag	Interrupt Enable
EINT2	11			SCU. IRCON0 .EXINT2R/F	SCU. MODIEN2 .EXINT2_EN
INTISR<12,13> → EXTINT1/EXTINT2					
exint0	12	level		SCU. IRCON0 .EXINT0R/F	SCU. MODIEN3 .IE0
MON	12	level		SCU. IRCON0 .MONR/F	SCU. MODIEN3 .MONIE
exint1	13	level		SCU. IRCON0 .EXINT1R/F	SCU. MODIEN4 .IE1
INTISR<14> → Bridge Driver					
BDRV/CP VSD Lower Threshold	14	level	set until cleared by software	SCUPM. BDRV_IS .VSD_L OWTH_IS	SCUPM. BDRV_IRQ_CTR L.VSD_LOWTH_IE
BDRV/CP VSD Upper Threshold	14	level	set until cleared by software	SCUPM. BDRV_IS .VSD_U PTH_IS	SCUPM. BDRV_IRQ_CTR L.VSD_UPTH_IE
BDRV/CP VCP Lower Threshold	14	level	set until cleared by software	SCUPM. BDRV_IS .VCP_L OWTH_IS	SCUPM. BDRV_IRQ_CTR L.VCP_LOWTH_IE
BDRV/CP VCP Upper Threshold	14	level	set until cleared by software	SCUPM. BDRV_IS .VCP_U PTH_IS	SCUPM. BDRV_IRQ_CTR L.VCP_UPTH_IE
BDRV/CP LS1 Over Current (OC)	14	level	set until cleared by software	SCUPM. BDRV_IS .LS1_O C_IS	SCUPM. BDRV_IRQ_CTR L.LS1_OC_IE
BDRV/CP HS1 Over Current (OC)	14	level	set until cleared by software	SCUPM. BDRV_IS .HS1_O C_IS	SCUPM. BDRV_IRQ_CTR L.HS1_OC_IE
BDRV/CP LS2 Over Current (OC)	14	level	set until cleared by software	SCUPM. BDRV_IS .LS2_O C_IS	SCUPM. BDRV_IRQ_CTR L.LS2_OC_IE
BDRV/CP HS2 Over Current (OC)	14	level	set until cleared by software	SCUPM. BDRV_IS .HS2_O C_IS	SCUPM. BDRV_IRQ_CTR L.HS2_OC_IE
BDRV/CP LS1 Drain-Source Monitoring (DS)	14	level	set until cleared by software	SCUPM. BDRV_IS .LS1_D S_IS BDRV. CTRL1 .LS1_DS_S TS	SCUPM. BDRV_IRQ_CTR L.LS1_DS_IE
BDRV/CP HS1 Drain- Source Monitoring (DS)	14	level	set until cleared by software	SCUPM. BDRV_IS .HS1_D S_IS BDRV. CTRL1 .HS1_DS_S TS	SCUPM. BDRV_IRQ_CTR L.HS1_DS_IE

Table 50 All Interrupt Flags and Enable (cont'd)

Service Request	Node ID	Level/Edge Sensitive	Duration	SFR Flag	Interrupt Enable
BDRV/CP LS2 Drain-Source Monitoring (DS)	14	level	set until cleared by software	SCUPM. BDRV_IS .LS2_D S_IS BDRV. CTRL1 .LS2_DS_S TS	SCUPM. BDRV_IRQ_CTR L .LS2_DS_IE
BDRV/CP HS2 Drain- Source Monitoring (DS)	14	level	set until cleared by software	SCUPM. BDRV_IS .HS2_D S_IS BDRV. CTRL1 .HS2_DS_S TS	SCUPM. BDRV_IRQ_CTR L .HS2_DS_IE

1) Each CCU6 interrupt can be assigned to any of the CCU6 interrupt nodes [3:0] via CCU6 registers CCU6.**INP**.

12.3.2 Interrupt Structure

An interrupt event source may be generated from the on-chip peripherals or from external. Detection of interrupt events is controlled by the respective on-chip peripherals. Interrupt status flags are available for determining which interrupt event has occurred, especially useful for an interrupt node which is shared by several event sources. Each interrupt node (except NMI) has a global enable/disable bit. In most cases, additional enable bits are provided for enabling/disabling particular interrupt events (provided for NMI events). No interrupt will be requested for any occurred event that has its interrupt enable bit disabled.

There is an interrupt masking bit EA available, which is used to globally enable or disable all interrupt requests (except NMI) to the core. Resetting bit EA to 0 only masks the pending interrupt requests from the core, but does not block the capture of incoming interrupt requests.

12.3.2.1 Interrupt Structure 1

For interrupt structure 1 (see [Figure 49](#)), the interrupt event will set the interrupt status flag which doubles as a pending interrupt request to the core. An active pending interrupt request will interrupt the core only if it is corresponding interrupt node is enabled. Once an interrupt node is serviced (interrupt acknowledged), its pending interrupt request (represented by the interrupt status flag) may be automatically cleared by hardware (the core).

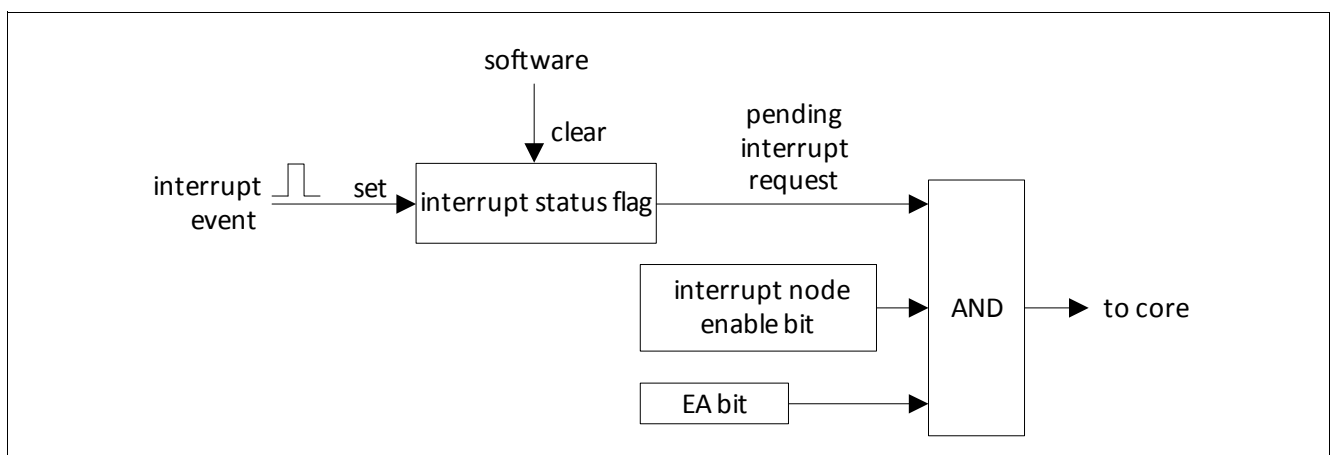


Figure 49 Interrupt Structure 1

For the TLE9868QXB20, interrupt sources like ADC1, MU and Bridge Driver (each have a dedicated interrupt node) will have their respective interrupt status flags in the dedicated registers. This flags are not cleared by the core once their corresponding pending interrupt request is serviced. They have to be cleared by software. For the UART which has its dedicated interrupt node, interrupt status flags RI and TI in register SCON will not be cleared by the core even when its pending interrupt request is serviced. The UART interrupt status flags (and hence the pending interrupt request) can only be cleared by software.

Note: The supply prewarning NMI, prewarning overtemperature & MI_CLK WDT NMI events are of interrupt structure 1. However, only the supply prewarning NMI request source is of interrupt structure 1.

12.3.3 Interrupt Source and Vector

Each interrupt event source has an associated interrupt vector address for the interrupt node it belongs to. This vector is accessed to service the corresponding interrupt node request. The interrupt service of each interrupt node can be individually enabled or disabled via an enable bit. The assignment of the TLE9868QXB20 interrupt sources to the interrupt vector address and the corresponding interrupt node enable bits are summarized in [Table 48](#).

Table 51 Interrupt Vector Address

Interrupt Node	Assignment for TLE9868QXB20	Enable Bit	SFR
NMI	Watchdog Timer NMI	NMIWDT	NMICON
	PLL NMI	NMIPLL	
	NVM Operation Complete NMI	NMINVM	
	Overttemperature NMI	NMIOT	
	Oscillator Watchdog NMI	NMIOWD	
	NVM Map Error NMI	NMIMAP	
	ECC Error NMI	NMIECC	
	Supply Prewarning NMI	NMISUP	
INTISR[0]	GPT1_T2, GPT1_T3, GPT1_T4	GPT12	GPT12IEN
INTISR[1]	GPT2_T5, GPT2_T6, GPT2_CR	GPT12	GPT12IEN
INTISR[2]	MU/Timer3	EMU	Timer3_CTRL SYS_IRQ_CTRL
INTISR[3]	ADC1		ADC1
	VREF5V	SYS_IRQ_CTRL	
INTISR[4]	CCU6 Node 0	CCU6SR0	IRCON3.0
INTISR[5]	CCU6 Node 1	CCU6SR1	IRCON3.4
INTISR[6]	CCU6 Node 2	CCU6SR2	IRCON4.0
INTISR[7]	CCU6 Node 3	CCU6SRC3	IRCON4.4
INTISR[8]	SSC1	EIREN	MODIEN1.0
		TIREN	MODIEN1.1
		RIREN	MODIEN1.2
INTISR[9]	SSC2	EIREN	MODIEN2.0
		TIREN	MODIEN2.1
		RIREN	MODIEN2.2
INTISR[10]	UART1 Receive	RIEN1	MODIEN1.6
	UART1 Transmit	TIEN1	MODIEN1.7
	Timer 2 Overflow	TF2EN	T2_T2CON1.1
	T2EX	EXF2EN	T2_T2CON1.0
	LIN_OT_STS	LIN_CTRL_STS	LIN_CTRL_STS
	LIN_OC_STS		LIN_CTRL_STS
	TXD_TMOUT		LIN_CTRL_STS/
	EOFSYN	SYNEN	SYNCST
ERRSYN			
INTISR[11]	UART2 Receive	RIEN2	MODIEN2.6
	UART2 Transmit	TIEN2	MODIEN2.7
	EINT2	EXINT2	IRCON0.2
	Timer 21 Overflow	TF2EN/	T21T2CON1.1
	T21EX	EXF2EN	T21T2CON1.0
INTISR[12]	EINT0	IE0	MODIEN3.0
INTISR[13]	EINT1	IE1	MODIEN4.0

Table 51 Interrupt Vector Address (cont'd)

Interrupt Node	Assignment for TLE9868QXB20	Enable Bit	SFR
INTISR[14]	BDRV-VDS(1-6)	BRDRV_IS	BRDRV_IRQ_CTR L
	CP-UV, CP-OV		

12.3.4 Interrupt Priority

An interrupt that is currently being serviced can only be interrupted by a higher-priority interrupt, but not by another interrupt of the same or lower priority. Hence, an interrupt of the highest priority cannot be interrupted by any other interrupt request.

If two or more requests of different priority levels are received simultaneously, the request with the highest priority is serviced first. If requests of the same priority are received simultaneously, an internal polling sequence determines which request is serviced first. Thus, within each priority level, there is a second priority structure determined by the polling sequence as shown in [Table 50](#).

Table 52 Interrupt Node Table

Service Request	Node ID	Description
GPT1	0	GPT1 interrupt (T2-T4)
GPT2	1	GPT2 interrupt (T5-T6, CR)
ADC2/Timer3	2	ADC2, Measurement Unit, VBG, SD-ADC, Timer3
ADC1	3	ADC1 interrupt / VREF5V Overload / VREF5V OV/UV
CCU0	4	CCU6 node 0 interrupt
CCU1	5	CCU6 node 1 interrupt
CCU2	6	CCU6 node 2 interrupt
CCU3	7	CCU6 node 3 interrupt
SSC1	8	SSC1 interrupt (receive, transmit, error)
SSC2	9	SSC2 interrupt (receive, transmit, error)
UART1	10	UART1 (ASC-LIN) interrupt (receive, transmit), Timer2, linsync1, LIN
UART2	11	UART2 interrupt (receive, transmit), Timer21, linsync2, External interrupt (EINT2)
EXINT0	12	External interrupt (EINT0), wakeup
EXINT1	13	External interrupt (EINT1)
BDRV/CP	14	Bridge Driver / Charge Pump

The interrupt priority is configured in the corresponding NVIC control register:

Table 53

Register Short name	Register Long Name	Offset Address	Reset Value
NVIC_IPR0	Interrupt Priority	400 _H	0000 0000 _H
NVIC_IPR1	Interrupt Priority	404 _H	0000 0000 _H
NVIC_IPR2	Interrupt Priority	408 _H	0000 0000 _H
NVIC_IPR3	Interrupt Priority	40C _H	0000 0000 _H

For further description see ARM_Architecture_v7n_Reference_Manual.

12.4 Interrupt Handling

See also ARM_Architecture_v7n_Reference_Manual. The most important Interrupt Registers are listed below. This registers are dedicated to the 16 available interrupt nodes. For all nodes which are a combination of several interrupt requests, the corresponding control and status registers are located in the System Control Unit (SCU) or the System Control Unit for the Power Modules (SCU_PM).

Table 54

Register Short name	Register Long Name	Offset Address	Reset Value
NVIC_ISER0	Interrupt Set-Enable	100 _H	0000 0000 _H
NVIC_ICER0	Interrupt Clear-Enable	180 _H	0000 0000 _H
NVIC_ISPR0	Interrupt Set-Pending	200 _H	0000 0000 _H
NVIC_ICPR0	Interrupt Clear-Pending	280 _H	0000 0000 _H
NVIC_IABR0	Active Bit Register	300 _H	0000 0000 _H

12.5 Register Definition

Interrupt registers are used for interrupt node enable, external interrupt control, interrupt flags and interrupt priority setting.

Table 55 Registers Address Space Interrupt Registers

Module	Base Address	End Address	Note
SCU	50005000 _H	50005FFF _H	

12.5.1 Interrupt Node Enable Registers

Register IEN0 contains the global interrupt masking bit (EA), which can be cleared to block all pending interrupt requests at once.

The NMI interrupt vector is shared by a number of sources, each of which can be enabled or disabled individually via register NMICON.

This register IEN0 is reset by RESET_TYPE_4.

IEN0

Interrupt Enable Register 0

(01C_H)

Reset Value: 00_H

7	6	5	4	3	2	1	0
EA	Res	Res	Res	Res	Res	Res	Res
rw	r	r	r	r	r	r	r

Field	Bits	Type	Description
EA	7	rw	Global Interrupt Mask 0 _B All pending interrupt requests (except NMI) are blocked from the core. 1 _B Pending interrupt requests are not blocked from the core.
Res	6:0	r	Reserved Returns 0 if read; should be written with 0.

Interrupt System

NMICON

NMI Control Register

(024_H)

Reset Value: 00_H

7	6	5	4	3	2	1	0
NMISUP	NMIECC	NMIMAP	NMIOWD	NMIOT	NMINVM	NMIPLL	NMIWDT
rw	rw	rw	rw	rw	rw	rw	rw

Field	Bits	Type	Description
NMISUP	7	rw	Supply Prewarning NMI Enable 0 _B Supply NMI is disabled. 1 _B Supply NMI is enabled.
NMIECC	6	rw	ECC Error NMI Enable 0 _B ECC Error NMI is disabled. 1 _B ECC Error NMI is enabled.
NMIMAP	5	rw	NVM Map Error NMI Enable 0 _B NVM Map Error NMI is disabled. 1 _B NVM Map Error NMI is enabled.
NMIOWD	4	rw	Oscillator Watchdog NMI Enable 0 _B Oscillator watchdog NMI is disabled. 1 _B Oscillator watchdog NMI is enabled.
NMIOT	3	rw	NMI OT Enable 0 _B NMI OT is disabled. 1 _B NMI OT is enabled.
NMINVM	2	rw	NVM Operation Complete NMI Enable 0 _B NVM operation complete NMI is disabled. 1 _B NVM operation complete NMI is enabled.
NMIPLL	1	rw	PLL Loss of Lock NMI Enable 0 _B PLL Loss of Lock NMI is disabled. 1 _B PLL Loss of Lock NMI is enabled.
NMIWDT	0	rw	Watchdog Timer NMI Enable 0 _B WDT NMI is disabled. 1 _B WDT NMI is enabled.

12.5.2 External Interrupt Control Registers

The external interrupts, EXT_INT[2:0], are driven into the TLE9868QXB20 from the ports. External interrupts can be positive, negative or double edge triggered. Register EXICON0 specifies the active edge for the external interrupt.

If the external interrupt is positive (negative) edge triggered, the external source must hold the request pin low (high) for at least one CCLK cycle, and then hold it high (low) for at least one CCLK cycle to ensure that the transition is recognized.

External interrupts 2 share their interrupt node with other interrupt sources. Therefore in addition to the corresponding interrupt node enable, external interrupt 2 may be disabled individually, and are disabled by default after reset.

Note: Several external interrupts support alternative input pin, selected via MODPISEL register in the SCU. When switching inputs, the active edge/level trigger select and the level on the associated pins should be considered to prevent unintentional interrupt generation.

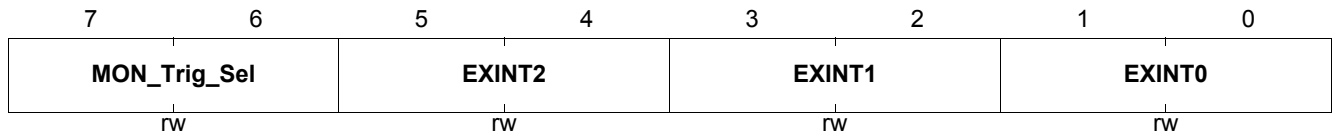
Interrupt System

EXICON0

External Interrupt Control Register 0

(028_H)

Reset Value: 30_H



Field	Bits	Type	Description
MON_Trig_Sel	7:6	rw	MON Input Trigger Select 00 _B external interrupt MON is disabled. 01 _B Interrupt on rising edge. 10 _B Interrupt on falling edge. 11 _B Interrupt on both rising and falling edge.
EXINT2	5:4	rw	External Interrupt 2 Trigger Select 00 _B external interrupt 2 is disabled. 01 _B Interrupt on rising edge. 10 _B Interrupt on falling edge. 11 _B Interrupt on both rising and falling edge.
EXINT1	3:2	rw	External Interrupt 1 Trigger Select 00 _B external interrupt 1 is disabled. 01 _B Interrupt on rising edge. 10 _B Interrupt on falling edge. 11 _B Interrupt on both rising and falling edge.
EXINT0	1:0	rw	External Interrupt 0 Trigger Select 00 _B external interrupt 0 is disabled. 01 _B Interrupt on rising edge. 10 _B Interrupt on falling edge. 11 _B Interrupt on both rising and falling edge.

12.5.3 Interrupt Flag Registers

The interrupt flags for the different interrupt sources are located in several special function registers. This section describes the interrupt flags located in system registers or external interrupts belonging to system. Other interrupt flags located in respective module registers are described in the specific module chapter.

In case of software and hardware access to a flag bit at the same time, hardware will have higher priority.

IRCON0

Interrupt Request Register 0

(004_H)

Reset Value: 00_H

7	6	5	4	3	2	1	0
MONF	MONR	EXINT2F	EXINT2R	EXINT1F	EXINT1R	EXINT0F	EXINT0R
r	r	r	r	r	r	r	r

Field	Bits	Type	Description
MONF	7	r	Interrupt Flag for External Interrupt MON on falling edge This bit is set by hardware and can only be cleared by software. 0 _B Interrupt on falling edge event has not occurred. 1 _B Interrupt on falling edge event has occurred.
MONR	6	r	Interrupt Flag for External Interrupt MON on rising edge This bit is set by hardware and can only be cleared by software. 0 _B Interrupt on rising edge event has not occurred. 1 _B Interrupt on rising edge event has occurred.
EXINT2F	5	r	Interrupt Flag for External Interrupt 2x on falling edge This bit is set by hardware and can only be cleared by software. 0 _B Interrupt on falling edge event has not occurred. 1 _B Interrupt on falling edge event has occurred.
EXINT2R	4	r	Interrupt Flag for External Interrupt 2x on rising edge This bit is set by hardware and can only be cleared by software. 0 _B Interrupt on rising edge event has not occurred. 1 _B Interrupt on rising edge event has occurred.
EXINT1F	3	r	Interrupt Flag for External Interrupt 1x on falling edge This bit is set by hardware and can only be cleared by software. 0 _B Interrupt on falling edge event has not occurred. 1 _B Interrupt on falling edge event has occurred.
EXINT1R	2	r	Interrupt Flag for External Interrupt 1x on rising edge This bit is set by hardware and can only be cleared by software. 0 _B Interrupt on rising edge event has not occurred. 1 _B Interrupt on rising edge event has occurred.
EXINT0F	1	r	Interrupt Flag for External Interrupt 0x on falling edge This bit is set by hardware and can only be cleared by software. 0 _B Interrupt on falling edge event has not occurred. 1 _B Interrupt on falling edge event has occurred.
EXINT0R	0	r	Interrupt Flag for External Interrupt 0x on rising edge This bit is set by hardware and can only be cleared by software. 0 _B Interrupt on rising edge event has not occurred. 1 _B Interrupt on rising edge event has occurred.

Interrupt System

IRCON0CLR

Interrupt Request 0 Clear Register

(02C_H)

Reset Value: 00_H

7	6	5	4	3	2	1	0
MONFC	MONRC	EXINT2FC	EXINT2RC	EXINT1FC	EXINT1RC	EXINT0FC	EXINT0RC
w	w	w	w	w	w	w	w

Field	Bits	Type	Description
MONFC	7	w	Interrupt Flag for External Interrupt MON on falling edge clear This bit is set by software and can only be cleared by hardware. 0 _B Interrupt on falling edge event is not cleared. 1 _B Interrupt on falling edge event is cleared.
MONRC	6	w	Interrupt Flag for External Interrupt MON on rising edge clear This bit is set by software and can only be cleared by hardware. 0 _B Interrupt on rising edge event is not cleared. 1 _B Interrupt on rising edge event is cleared.
EXINT2FC	5	w	Interrupt Flag for External Interrupt 2x on falling edge clear This bit is set by software and can only be cleared by hardware. 0 _B Interrupt on falling edge event is not cleared. 1 _B Interrupt on falling edge event is cleared.
EXINT2RC	4	w	Interrupt Flag for External Interrupt 2x on rising edge clear This bit is set by software and can only be cleared by hardware. 0 _B Interrupt on rising edge event is not cleared. 1 _B Interrupt on rising edge event is cleared.
EXINT1FC	3	w	Interrupt Flag for External Interrupt 1x on falling edge clear This bit is set by software and can only be cleared by hardware. 0 _B Interrupt on falling edge event is not cleared. 1 _B Interrupt on falling edge event is cleared.
EXINT1RC	2	w	Interrupt Flag for External Interrupt 1x on rising edge clear This bit is set by software and can only be cleared by hardware. 0 _B Interrupt on rising edge event is not cleared. 1 _B Interrupt on rising edge event is cleared.
EXINT0FC	1	w	Interrupt Flag for External Interrupt 0x on falling edge clear This bit is set by software and can only be cleared by hardware. 0 _B Interrupt on falling edge event is not cleared. 1 _B Interrupt on falling edge event is cleared.
EXINT0RC	0	w	Interrupt Flag for External Interrupt 0x on rising edge clear This bit is set by software and can only be cleared by hardware. 0 _B Interrupt on rising edge event is not cleared. 1 _B Interrupt on rising edge event is cleared.

IRCON1

Interrupt Request Register 1

(008_H)

Reset Value: 00_H

7	6	5	4	3	2	1	0
Res	Res	Res	Res	Res	RIR	TIR	EIR
r	r	r	r	r	r	r	r

Field	Bits	Type	Description
Res	3,4,5,6,7	r	Reserved Returns 0 if read; should be written with 0.
RIR	2	r	Receive Interrupt Flag for SSC1 This bit is set by hardware and can only be cleared by software. 0 _B Interrupt event has not occurred. 1 _B Interrupt event has occurred.
TIR	1	r	Transmit Interrupt Flag for SSC1 This bit is set by hardware and can only be cleared by software. 0 _B Interrupt event has not occurred. 1 _B Interrupt event has occurred.
EIR	0	r	Error Interrupt Flag for SSC1 This bit is set by hardware and can only be cleared by software. 0 _B Interrupt event has not occurred. 1 _B Interrupt event has occurred.

IRCON1CLR

Interrupt Request 1 Clear Register

(178_H)

Reset Value: 00_H

7	6	5	4	3	2	1	0
Res	Res	Res	Res	Res	RIRC	TIRC	EIRC
r	r	r	r	r	w	w	w

Field	Bits	Type	Description
Res	3,4,5,6,7	r	Reserved Returns 0 if read; should be written with 0.
RIRC	2	w	Receive Interrupt Flag for SSC1 Clear This bit is set by software and can only be cleared by hardware. 0 _B Interrupt event is not cleared. 1 _B Interrupt event is cleared.
TIRC	1	w	Transmit Interrupt Flag for SSC1 Clear This bit is set by software and can only be cleared by hardware. 0 _B Interrupt event is not cleared. 1 _B Interrupt event is cleared.
EIRC	0	w	Error Interrupt Flag for SSC1 Clear This bit is set by software and can only be cleared by hardware. 0 _B Interrupt event is not cleared. 1 _B Interrupt event is cleared.

IRCON2

Interrupt Request Register 2

(00C_H)

Reset Value: 00_H

7	6	5	4	3	2	1	0
Res	Res	Res	Res	Res	RIR	TIR	EIR
r	r	r	r	r	r	r	r

Interrupt System

Field	Bits	Type	Description
Res	3, 4, 5, 6, 7	r	Reserved Returns 0 if read; should be written with 0.
RIR	2	r	Receive Interrupt Flag for SSC2 This bit is set by hardware and can only be cleared by software. 0 _B Interrupt event has not occurred. 1 _B Interrupt event has occurred.
TIR	1	r	Transmit Interrupt Flag for SSC2 This bit is set by hardware and can only be cleared by software. 0 _B Interrupt event has not occurred. 1 _B Interrupt event has occurred.
EIR	0	r	Error Interrupt Flag for SSC2 This bit is set by hardware and can only be cleared by software. 0 _B Interrupt event has not occurred. 1 _B Interrupt event has occurred.

IRCON2CLR

Interrupt Request 2 Clear Register

(17C_H)

Reset Value: 00_H

7	6	5	4	3	2	1	0
Res	Res	Res	Res	Res	RIRC	TIRC	EIRC
r	r	r	r	r	w	w	w

Field	Bits	Type	Description
Res	3, 4, 5, 6, 7	r	Reserved Returns 0 if read; should be written with 0.
RIRC	2	w	Receive Interrupt Flag for SSC2 Clear This bit is set by software and can only be cleared by hardware. 0 _B Interrupt event is not cleared. 1 _B Interrupt event is cleared.
TIRC	1	w	Transmit Interrupt Flag for SSC2 Clear This bit is set by software and can only be cleared by hardware. 0 _B Interrupt event is not cleared. 1 _B Interrupt event is cleared.
EIRC	0	w	Error Interrupt Flag for SSC2 Clear This bit is set by software and can only be cleared by hardware. 0 _B Interrupt event is not cleared. 1 _B Interrupt event is cleared.

IRCON3

Interrupt Request Register 3

(010_H)

Reset Value: 00_H

7	6	5	4	3	2	1	0
Res	Res	CCU6SR1	Res	Res	Res	CCU6SR0	Res
r	r	r	r	r	r	r	r

Field	Bits	Type	Description
Res	1, 2, 3, 5, 6, 7	r	Reserved Returns 0 if read; should be written with 0.
CCU6SR1	4	r	Interrupt Flag 1 for CCU6 This bit is set by hardware and can only be cleared by software. 0 _B Interrupt event has not occurred. 1 _B Interrupt event has occurred.
CCU6SR0	0	r	Interrupt Flag 0 for CCU6 This bit is set by hardware and can only be cleared by software. 0 _B Interrupt event has not occurred. 1 _B Interrupt event has occurred.

IRCON3CLR

Interrupt Request 3 Clear Register

(190_H)

Reset Value: 00_H

7	6	5	4	3	2	1	0
Res	Res	CCU6SR1C	Res	Res	Res	CCU6SR0C	
r	r	w	r	r	r	w	

Field	Bits	Type	Description
Res	1, 2, 3, 5, 6, 7	r	Reserved Returns 0 if read; should be written with 0.
CCU6SR1C	4	w	Interrupt Flag 1 for CCU6 Clear This bit is set by software and can only be cleared by hardware. 0 _B Interrupt event is not cleared. 1 _B Interrupt event is cleared.
CCU6SR0C	0	w	Interrupt Flag 0 for CCU6 Clear This bit is set by software and can only be cleared by hardware. 0 _B Interrupt event is not cleared. 1 _B Interrupt event is cleared.

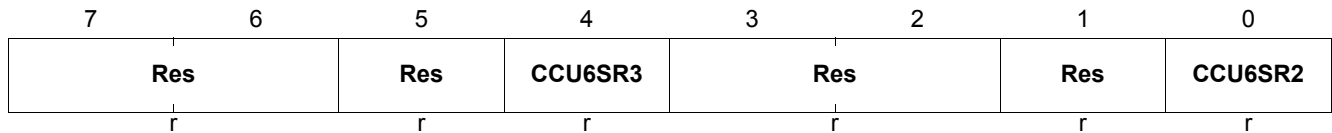
Interrupt System

IRCON4

Interrupt Request Register 4

(014_H)

Reset Value: 00_H



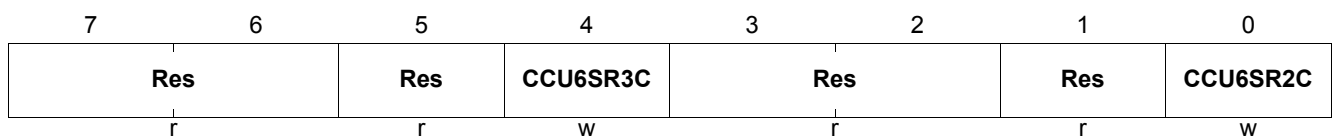
Field	Bits	Type	Description
Res	1, 2, 3, 5, 6, 7	r	Reserved Returns 0 if read; should be written with 0.
CCU6SR3	4	r	Interrupt Flag 3 for CCU6 This bit is set by hardware and can only be cleared by software. 0 _B Interrupt event has not occurred. 1 _B Interrupt event has occurred.
CCU6SR2	0	r	Interrupt Flag 2 for CCU6 This bit is set by hardware and can only be cleared by software. 0 _B Interrupt event has not occurred. 1 _B Interrupt event has occurred.

IRCON4CLR

Interrupt Request 4 Clear Register

(194_H)

Reset Value: 00_H



Field	Bits	Type	Description
Res	1, 2, 3, 5, 6, 7	r	Reserved Returns 0 if read; should be written with 0.
CCU6SR3C	4	w	Interrupt Flag 3 for CCU6 Clear This bit is set by hardware and can only be cleared by software. 0 _B Interrupt event is not cleared. 1 _B Interrupt event is cleared.
CCU6SR2C	0	w	Interrupt Flag 2 for CCU6 Clear This bit is set by software and can only be cleared by hardware. 0 _B Interrupt event is not cleared. 1 _B Interrupt event is cleared.

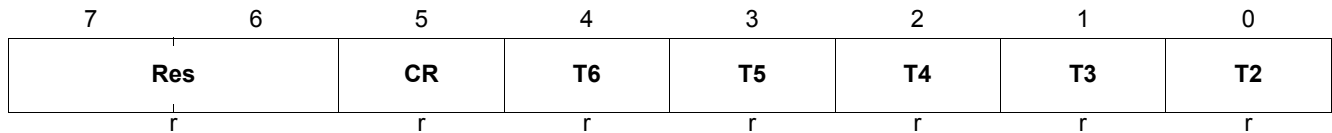
Interrupt System

GPT12IRC

Timer and Counter Control/Status Register

(160_H)

Reset Value: 00_H

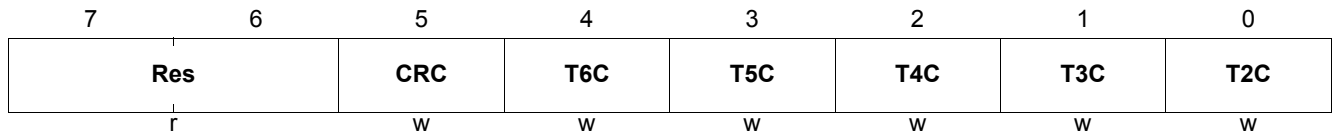


Field	Bits	Type	Description
Res	7:6	r	Reserved This Flag is always read as zero.
CR	5	r	GPT Module 2 Capture Reload Interrupt Status Capture Reload Event of GPT1 Module Interrupt Status 0 _B No Capture Reload Interrupt has occurred. 1 _B Capture Reload Interrupt has occurred.
T6	4	r	GPT Module 2 Timer6 Interrupt Status Timer 6 of GPT Module Interrupt Status 0 _B No Timer 6 Interrupt has occurred. 1 _B Timer 6 Interrupt has occurred.
T5	3	r	GPT Module 2 Timer5 Interrupt Status Timer 5 of GPT2 Module Interrupt Status 0 _B No Timer 5 Interrupt has occurred. 1 _B Timer 5 Interrupt has occurred.
T4	2	r	GPT Module 1 Timer4 Interrupt Status Timer 4 of GPT1 Module Interrupt Status 0 _B No Timer 4 Interrupt has occurred. 1 _B Timer 4 Interrupt has occurred.
T3	1	r	GPT Module 1 Timer3 Interrupt Status Timer 3 of GPT1 Module Interrupt Status 0 _B No Timer 3 Interrupt has occurred. 1 _B Timer 3 Interrupt has occurred.
T2	0	r	GPT Module 1 Timer 2 Interrupt Status Timer 2 of GPT1 Module Interrupt Status 0 _B No Timer 2 Interrupt has occurred. 1 _B Timer 2 Interrupt has occurred.

GPT12ICLR

Timer and Counter Control/Status Clear Register (164_H)

Reset Value: 00_H



Field	Bits	Type	Description
Res	7:6	r	Reserved This Flag is always read as zero.
CRC	5	w	GPT Module 2 Capture Reload Interrupt Status Clear Capture Reload Event of GPT1 Module Interrupt Status Clear 0 _B No Capture Reload Interrupt is cleared. 1 _B Capture Reload Interrupt is cleared.
T6C	4	w	GPT Module 2 Timer6 Interrupt Status Clear Timer 6 of GPT Module Interrupt Status Clear 0 _B No Timer 6 Interrupt is cleared. 1 _B Timer 6 Interrupt is cleared.
T5C	3	w	GPT Module 2 Timer5 Interrupt Status Clear Timer 5 of GPT2 Module Interrupt Status Clear 0 _B No Timer 5 Interrupt is cleared. 1 _B Timer 5 Interrupt is cleared.
T4C	2	w	GPT Module 1 Timer4 Interrupt Status Clear Timer 4 of GPT1 Module Interrupt Status Clear 0 _B No Timer 4 Interrupt is cleared. 1 _B Timer 4 Interrupt is cleared.
T3C	1	w	GPT Module 1 Timer3 Interrupt Status Clear Timer 3 of GPT1 Module Interrupt Status Clear 0 _B No Timer 3 Interrupt is cleared. 1 _B Timer 3 Interrupt is cleared.
T2C	0	w	GPT Module 1 Timer 2 Interrupt Status Clear Timer 2 of GPT1 Module Interrupt Status Clear 0 _B No Timer 2 Interrupt is cleared. 1 _B Timer 2 Interrupt is cleared.

Each NMI event and status flag is retained across these resets: 1) WDT reset, 2) soft reset. These include all the flags of NMISR register: FNMIWDT, FNMIPLL, FNMINVM, FNMIOCDS, FNMIOWD, FNMI MAP, and indirectly, FNMI ECC and FNMI SUP. In the case of NMIs with shared source i.e. watchdog, ECC or supply prewarning NMI, the respective indicator or event flags not located in NMISR are also retained. Refer to [Chapter 7.6.4](#) for identifying the NMI event.

Interrupt System

NMISR

NMI Status Register

(018_H)

Reset Value: 00_H

7	6	5	4	3	2	1	0
FNMISSUP	FNMIIECC	FNMIIMAP	FNMIOWD	FNMIOT	FNMINVM	FNMIPLL	FNMIWDT
r	r	r	r	r	r	r	r

Field	Bits	Type	Description
FNMISSUP	7	r	<p>Supply Prewarning NMI Flag</p> <p>This flag is cleared automatically by hardware when the corresponding event flags are cleared.</p> <p>0_B No supply prewarning NMI has occurred.</p> <p>1_B Supply prewarning has occurred.</p>
FNMIIECC	6	r	<p>ECC Error NMI Flag</p> <p>This flag is cleared automatically by hardware when the corresponding enabled event flags are cleared.</p> <p>0_B No uncorrectable ECC error has occurred on NVM, XRAM.</p> <p>1_B Uncorrectable ECC error has occurred on NVM, RAM.</p>
FNMIIMAP	5	r	<p>NVM Map Error NMI Flag</p> <p>This bit is set by hardware and can only be cleared by software.</p> <p>0_B No NVM Map Error NMI has occurred.</p> <p>1_B NVM Map Error has occurred.</p>
FNMIOWD	4	r	<p>Oscillator Watchdog or MI_CLK Watchdog NMI Flag</p> <p>This bit is set by hardware and can only be cleared by software.</p> <p>0_B No oscillator / MI_CLK watchdog NMI has occurred.</p> <p>1_B Oscillator / MI_CLK watchdog event has occurred.</p>
FNMIOT	3	r	<p>Over-temperature NMI Flag</p> <p>This bit is set by hardware and can only be cleared by software. As this is a shared NMI source, this flag should be cleared after checking and clearing the corresponding event flags.</p> <p>0_B No OT NMI has occurred.</p> <p>1_B OT NMI event has occurred.</p>
FNMINVM	2	r	<p>NVM Operation Complete NMI Flag</p> <p>This bit is set by hardware and can only be cleared by software.</p> <p>0_B No NVM NMI has occurred.</p> <p>1_B NVM operation complete event has occurred.</p>
FNMIPLL	1	r	<p>PLL NMI Flag</p> <p>This bit is set by hardware and can only be cleared by software.</p> <p>0_B No PLL NMI has occurred.</p> <p>1_B PLL loss-of-lock has occurred.</p>
FNMIWDT	0	r	<p>Watchdog Timer NMI Flag</p> <p>This bit is set by hardware and can only be cleared by software. As this is a shared NMI source, this flag should be cleared after checking and clearing the corresponding event flags.</p> <p>0_B No watchdog NMI has occurred.</p> <p>1_B WDT prewarning has occurred.</p>

This register NMISR is reset by RESET_TYPE_4.

NMICLR

NMI Clear Register

(000_H)

Reset Value: 00_H

7	6	5	4	3	2	1	0
NMISUPC	NMIECCC	NMIMAPC	NMIOWDC	NMIOTC	NMINVMC	NMIPLLC	NMIWDTC
w	w	w	w	w	w	w	w

Field	Bits	Type	Description
NMISUPC	7	w	Supply Prewarning NMI Clear 0 _B Supply NMI is not cleared. 1 _B Supply NMI is cleared.
NMIECCC	6	w	ECC Error NMI Clear 0 _B ECC Error NMI is not cleared. 1 _B ECC Error NMI is cleared.
NMIMAPC	5	w	NVM Map Error NMI Clear 0 _B NVM Map Error NMI is not cleared. 1 _B NVM Map Error NMI is cleared.
NMIOWDC	4	w	Oscillator Watchdog NMI Clear 0 _B Oscillator watchdog NMI is not cleared. 1 _B Oscillator watchdog NMI is cleared.
NMIOTC	3	w	NMI OT Clear 0 _B NMI OT is not cleared. 1 _B NMI OT is cleared.
NMINVMC	2	w	NVM Operation Complete NMI Clear 0 _B NVM operation complete NMI is not cleared. 1 _B NVM operation complete NMI is cleared.
NMIPLLC	1	w	PLL Loss of Lock NMI Clear 0 _B PLL Loss of Lock NMI is not cleared. 1 _B PLL Loss of Lock NMI is cleared.
NMIWDTC	0	w	Watchdog Timer NMI Clear 0 _B WDT NMI is not cleared. 1 _B WDT NMI is cleared.

12.6 Interrupt Priority Registers

Each interrupt node can be individually programmed to one of the 16 priority levels available. The user can set them in the corresponding **NVIC_IPRx** Register (see Core Chapter).

13 Watchdog Timer (WDT1)

13.1 Features

There are two watchdog timers in the system. The Watchdog Timer (WDT) within the System Control Unit - Digital Modules (see SCU_DM) and the Watchdog Timer (WDT1) located within the System Control Unit - Power Modules (see SCU_PM). The Watchdog Timer WDT1 is described in this section.

In Active Mode, the WDT1 acts as a windowed watchdog timer, which provides a highly reliable and safe way to recover from software or hardware failures.

The WDT1 is always enabled in Active Mode. In Sleep Mode, Low Power Mode and SWD Mode the WDT1 is automatically disabled.

Functional Features

- Windowed Watchdog Timer with programmable timing in Active Mode
- Long open window (typ. 80ms) after power-up, reset, wake-up
- Short open window (typ. 30ms) to facilitate Flash programming
- Disabled during debugging
- Safety shutdown to Sleep Mode after 5 missed WDT1 services

13.2 Introduction

The behavior of the Watchdog Timer in Active Mode is illustrated in [Figure 50](#).

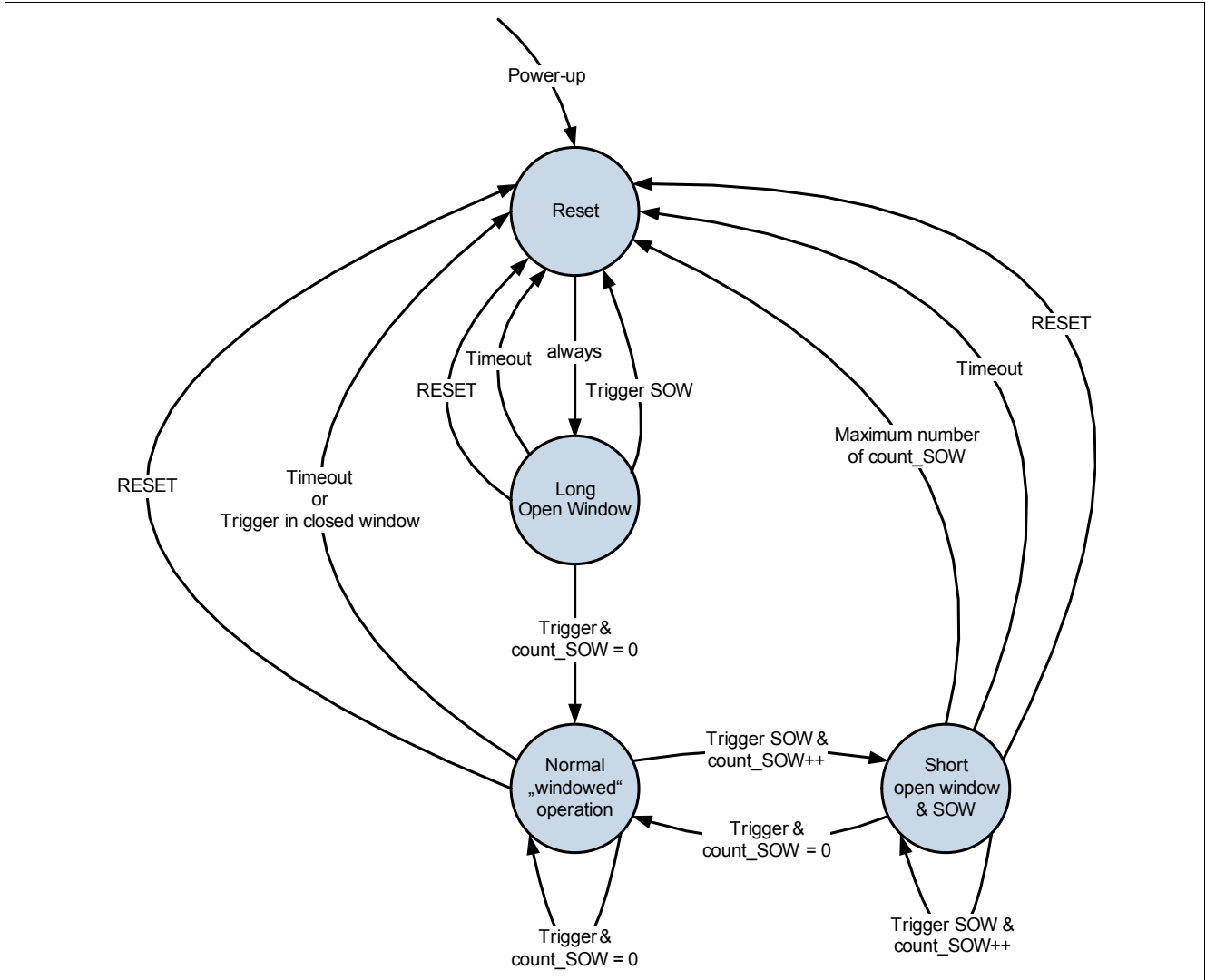


Figure 50 Watchdog Timer Behavior

13.3 Functional Description

13.3.1 Modes of Operation

The mode transition from the low power modes (WDT1 off) to active (WDT1 on) automatically initializes WDT1 to start in long open window mode.

13.3.2 Normal Operation

Software has to trigger the watchdog by writing to the **WDT1_TRIG** register. By triggering the watchdog also the length of the next watchdog period is selected inherently. The next period starts immediately with the trigger.

Watchdog Timer (WDT1)

After Reset the WDT1 is starting with a long open window. The WDT1 has to be triggered within this long open window, otherwise a reset will be generated at the end of the long open window. After this first trigger the WDT1 operates in a window watchdog mode. Triggering of a short open window during the long open window is not allowed and will also cause a WDT1 reset.

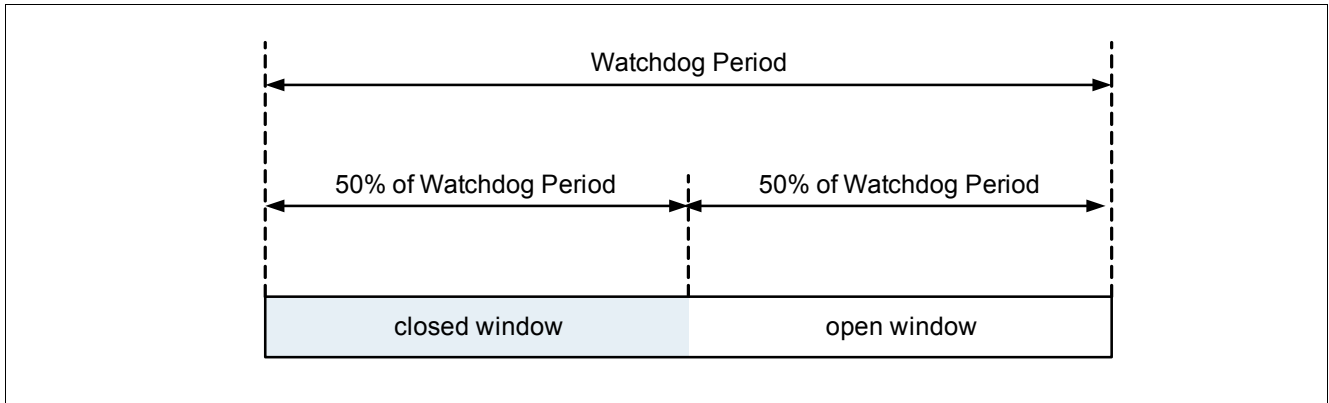


Figure 51 Windowed Watchdog

The first half of the watchdog period is the closed window and the second half is the open window. A trigger of the watchdog has to be done in the open window only. Any trigger in the closed window or failing to trigger the watchdog within the watchdog period will cause a reset. The reset will be indicated by the bit **PMU_ExtWDT** inside **PMU_RESET_STS1** register located inside PMU.

Effective open window (safe trigger point)

Due to the variations in the clock source of the WDT1 the effective usable open window, and therefore a safe trigger point, is shorter than 50% of the watchdog period as shown in **Figure 52**.

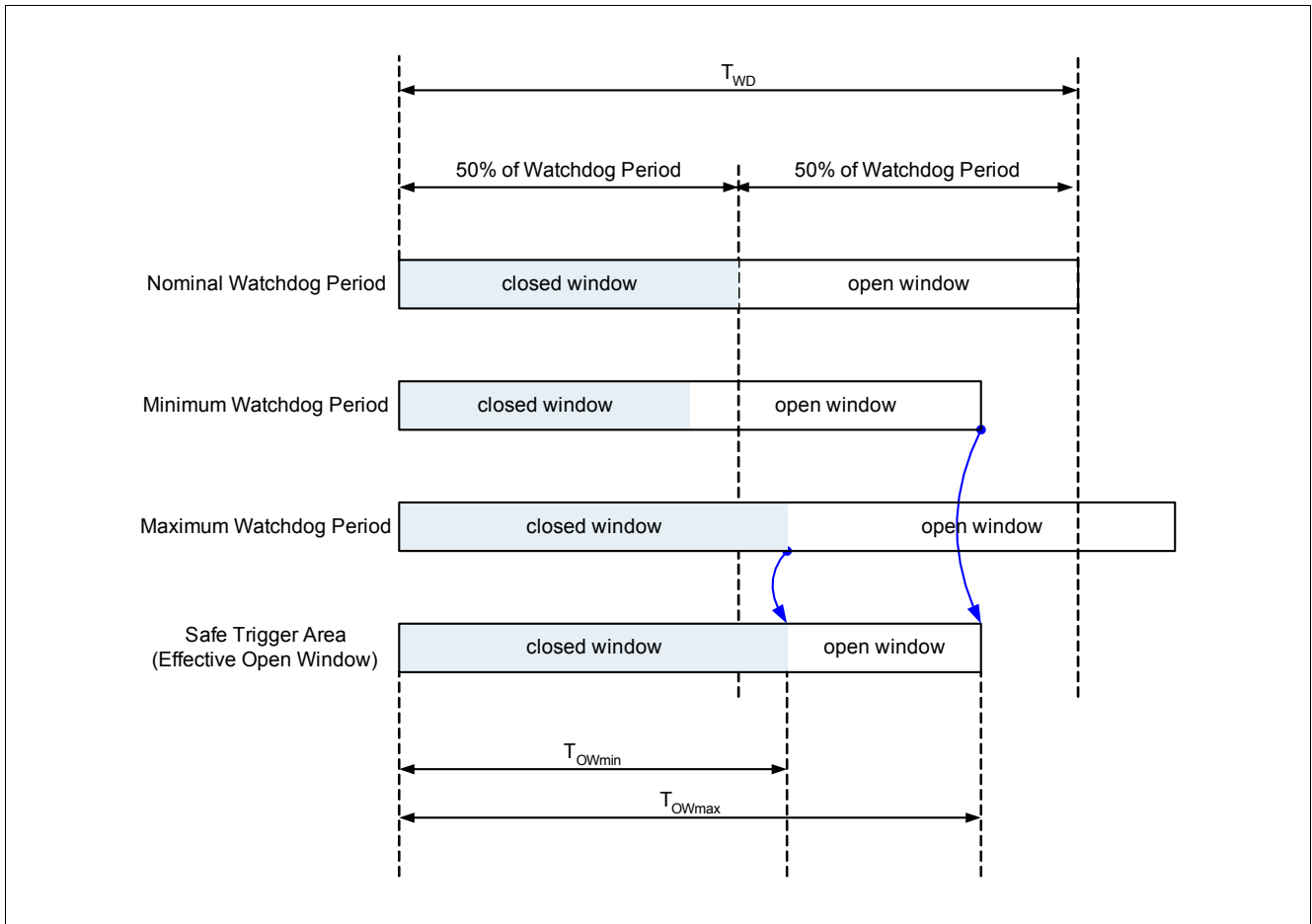


Figure 52 Effective open window

E.g. for a variation of 20% and a nominal watchdog period of T_{WD} the start of the effective open window T_{OWmin} is shifted back by 10%, and the end of the effective open window T_{OWmax} is shifted forward by 20%.

Short open window

Under certain programming conditions, e.g. NVM programming, it might be desired to interrupt the normal windowed watchdog operation. For this purpose a special trigger of a short open window (see [Figure 53](#)) allows to discard the current window period (also within the closed window) and immediately starts a short open window. The short open window has a fixed length of T_{SOW} (typ. 30 ms) independent of the settings of the WDP_SEL bits.

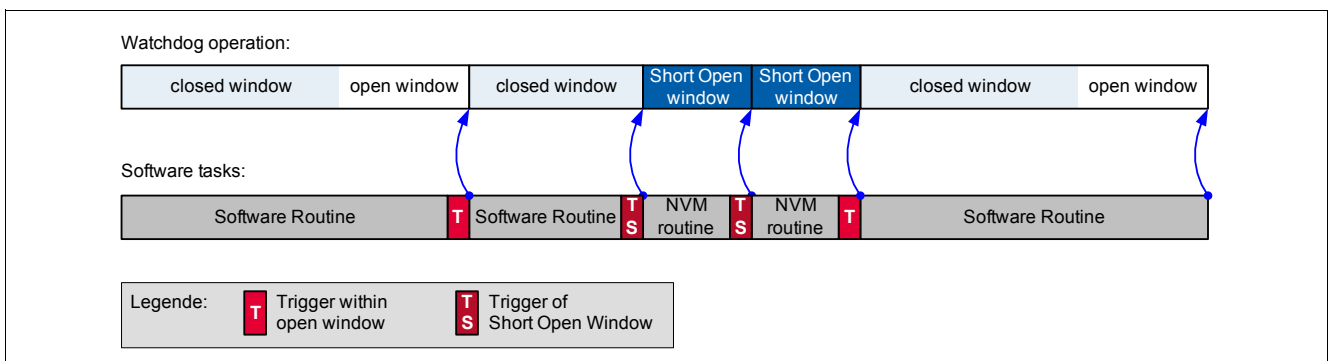


Figure 53 Short Open Window

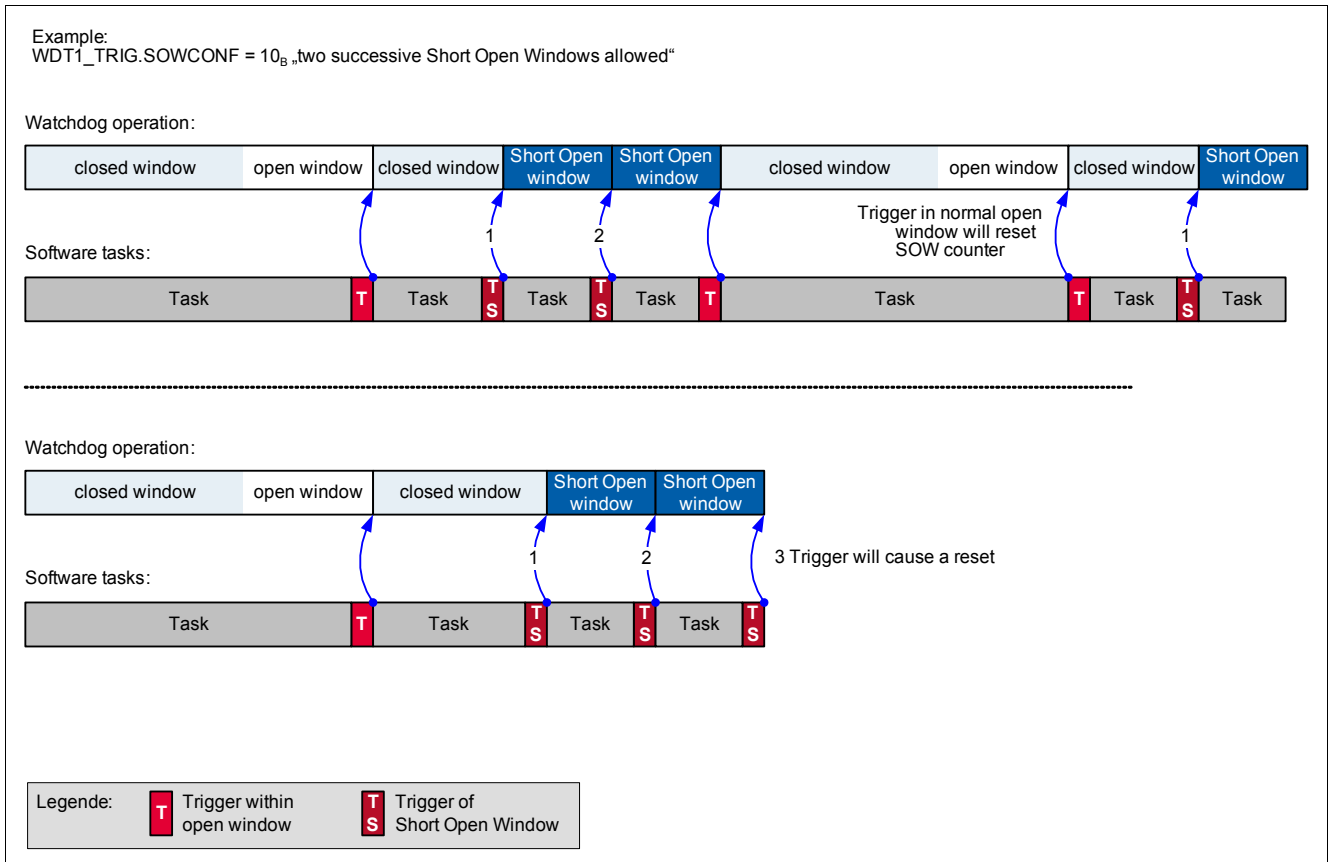


Figure 54 SOW Counter

The mechanism of inserting Short Open Windows has to be enabled/configured with the bits SOWCONF. The configuration allows to insert a maximum of three consecutive Short Open Windows. Each trigger of the Short Open Window will increase a SOW counter, if the SOW counter exceeds the maximum configured value a reset will be generated. The SOW counter value is reset to 0 by a normal trigger.

13.4 Register Definition

Table 56 shows the module base addresses.

Table 56 Register Address Space: SCU_PM Module Base Address List

Module	Base Address	End Address	Note
SCUPM	50006000 _H	50006FFF _H	SCU Power Modules

Table 57 Register Overview

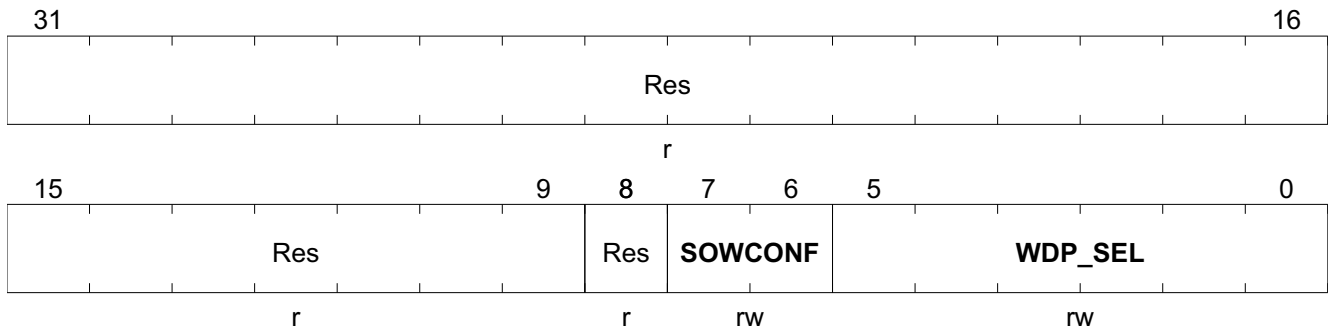
Register Short Name	Register Long Name	Offset Address	Reset Value
WDT1_TRIG	WDT1 Watchdog Control	34 _H	0000 0108 _H

The registers are addressed wordwise.

WDT1 Watchdog Control

The register is reset by RESET_TYPE_3.

WDT1_TRIG	Offset	Reset Value
WDT1 Watchdog Control	34_H	0000 0108_H



Field	Bits	Type	Description
Res	31:9	r	Reserved Always read as 0
Res	8	r	Reserved Always read as 1
SOWCONF	7:6	rw	Short Open Window Configuration 00 _B DIS Short Open Windows disabled ¹⁾ 01 _B SOW1 one successive Short Open Window allowed 10 _B SOW2 two successive Short Open Windows allowed 11 _B SOW3 three successive Short Open Windows allowed

Watchdog Timer (WDT1)

Field	Bits	Type	Description
WDP_SEL	5:0	rw	Watchdog Period Selection and trigger Selects the time for the next Watchdog period and allows to trigger the Short Open Window. 00 _H SOW_TRIG trigger short open window 01 _H WP_1 Watchdog period 16 ms 02 _H WP_2 Watchdog period 32 ms 03 _H WP_3 Watchdog period 48 ms 3F _H WP_63 Watchdog period 1008 ms

1) Writing 0000 0100_H to the WDT_TRIG register will cause a reset

14 GPIO Ports and Peripheral I/O

This chapter describes the GPIO Ports of the TLE9868QXB20. It contains the following sections:

- Functional description of the GPIO Ports (see [Section 14.2](#))
- GPIO Port register descriptions (see [Section 14.3](#))
- TLE9868QXB20 implementation specific details and registers of the GPIO module (see [Section 14.4](#))

The TLE9868QXB20 has 15 port pins organized into three parallel ports: Port 0 (P0), Port 1 (P1) and Port 2 (P2). Each port pin has a pair of internal pull-up and pull-down devices that can be individually enabled or disabled. P0 and P1 are bidirectional and can be used as general purpose input/output (GPIO) or to perform alternate input/output functions for the on-chip peripherals. When configured as an output, the open drain mode can be selected. On Port 2 (P2) analog inputs are shared with general purpose input.

14.1 Features

Bidirectional Port Features (P0, P1)

- Configurable pin direction
- Configurable pull-up/pull-down devices
- Configurable open drain mode
- Configurable drive strength
- Transfer of data through digital inputs and outputs (general purpose I/O)
- Alternate input/output for on-chip peripherals

Analog Port Features (P2)

- Configurable pull-up/pull-down devices
- Transfer of data through digital inputs
- Alternate inputs for on-chip peripherals
- Strong pull-up on P2.1

14.2 Introduction

14.2.1 Port 0 and Port 1

Figure 55 shows the block diagram of an TLE9868QXB20 bidirectional port pin. Each port pin is equipped with a number of control and data bits, thus enabling very flexible usage of the pin. By defining the contents of the control register, each individual pin can be configured as an input or an output. The user can also configure each pin as an open drain pin with or without internal pull-up/pull-down device.

Each bidirectional port pin can be configured for input or output operation. Switching between input and output mode is accomplished through the register Px_DIR ($x = 0$ or 1), which enables or disables the output and input drivers. A port pin can only be configured as either input or output mode at any one time.

In input mode (default after reset), the output driver is switched off (high-impedance). The voltage level present at the port pin is translated into a logic 0 or 1 via a Schmitt trigger device and can be read via the register Px_DATA .

In output mode, the output driver is activated and drives the value supplied through the multiplexer to the port pin. In the output driver, each port line can be switched to open drain mode or normal mode (push-pull mode) via the register Px_OD .

The output multiplexer in front of the output driver enables the port output function to be used for different purposes. If the pin is used for general purpose output, the multiplexer is switched by software to the data register

Px_DATA. Software can set or clear the bit in Px_DATA and therefore directly influence the state of the port pin. If an on-chip peripheral uses the pin for output signals, alternate output lines (AltDataOut) can be switched via the multiplexer to the output driver circuitry. Selection of the alternate output function is defined in registers Px_ALTSEL0 and Px_ALTSEL1. When a port pin is used as an alternate function, its direction must be set accordingly in the register Px_DIR.

Each pin can also be programmed to activate an internal weak pull-up or pull-down device. Register Px_PUDSEL selects whether a pull-up or the pull-down device is activated while register Px_PUDEN enables or disables the pull device.

The port structure used in this device offers the possibility to select the output driver strength and the slew rate. These selections are independent from the output port functionality, such as open-drain, push/pull or input only. The driver strength for each pin can be adapted to the application requirements by registers Px_POCONy (y = 0, 1 or 2) in SCU.

The temperature compensation signals TC[1:0] of all output drivers are connected to all outputs and are controlled by register TCCR in SCU.

Note: For the definition of Px_POCONy and TCCR registers, refer to [Chapter 7.7.2](#) of SCU chapter.

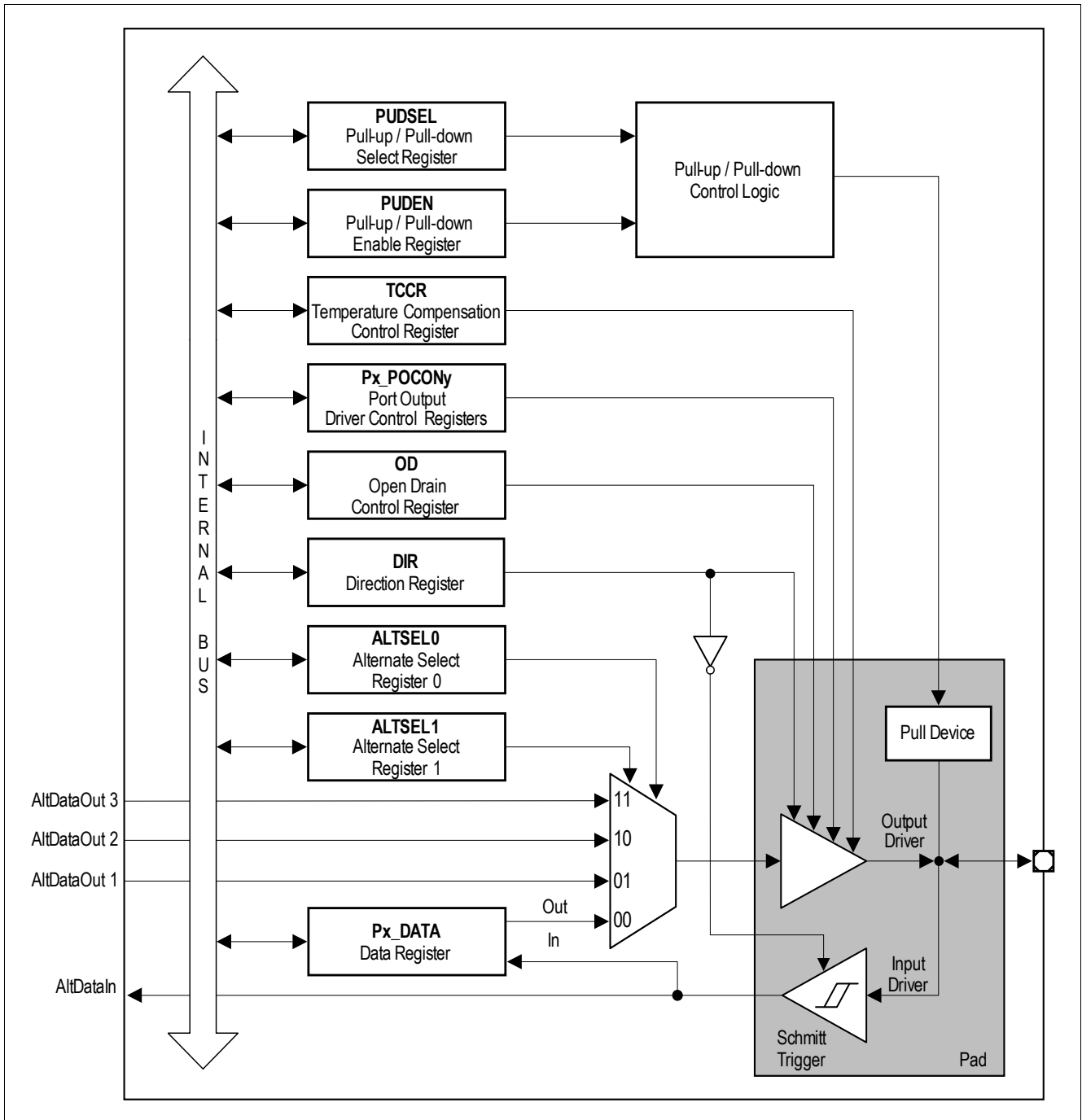


Figure 55 General Structure of Bidirectional Port (P0, P1)

14.2.2 Port 2

Figure 56 shows the structure of an input-only port pin. Each P2 pin can only function in input mode. Register P2_DIR is provided to enable or disable the input driver. When the input driver is enabled, the actual voltage level present at the port pin is translated into a logic 0 or 1 via a Schmitt trigger device and can be read via register P2_DATA. Each pin can also be programmed to activate an internal weak pull-up or pull-down device. Register P2_PUDSEL selects whether a pull-up or the pull-down device is activated while register P2_PUDEN enables or disables the pull device. The analog input (AnalogIn) bypasses the digital circuitry and Schmitt trigger device for direct feed-through to the ADC input channels.

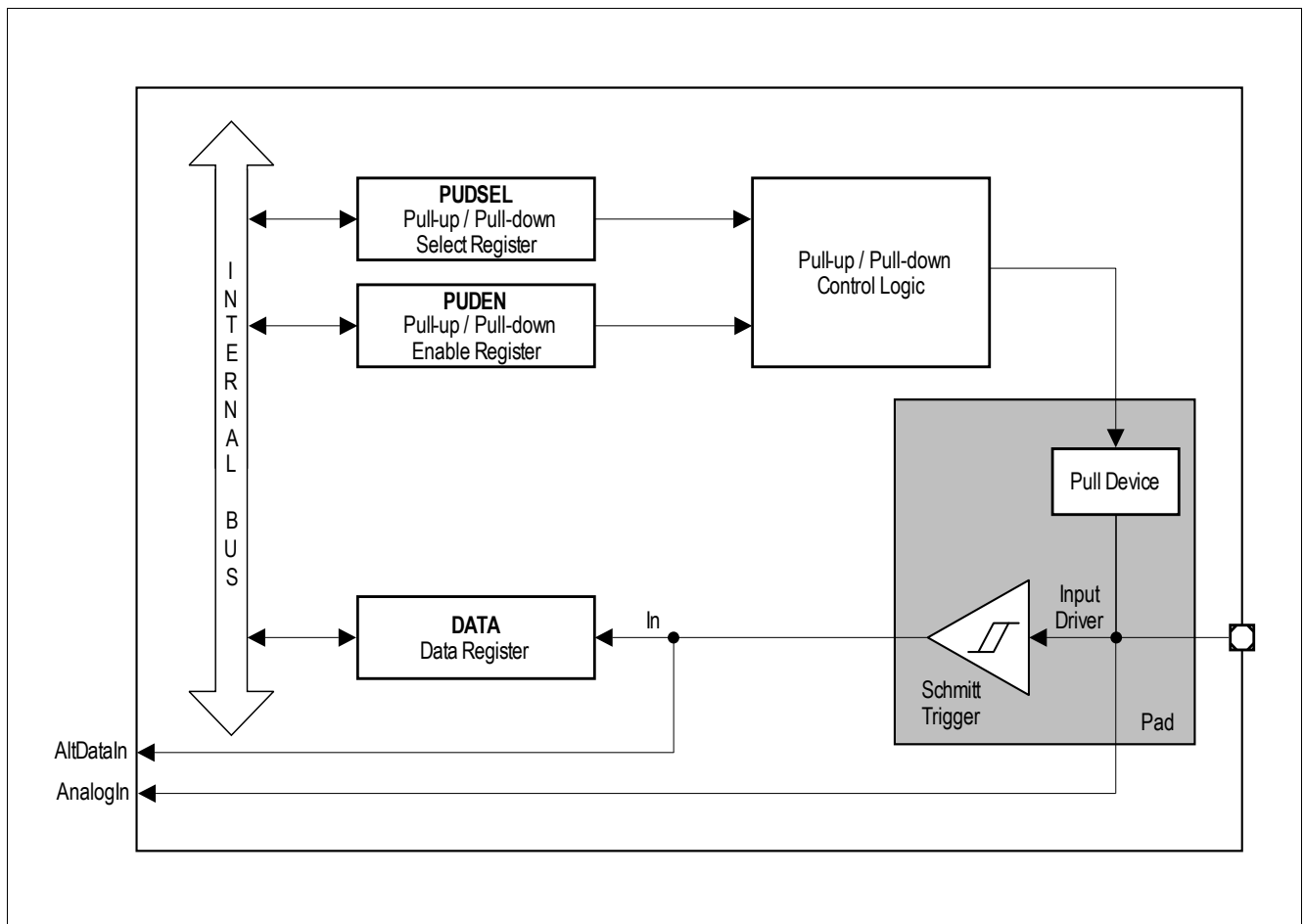


Figure 56 General Structure of Input Port (P2)

14.3 General Port Register Description

Each port consists of 8-bit control and data registers. The registers are defined in [Figure 57](#).

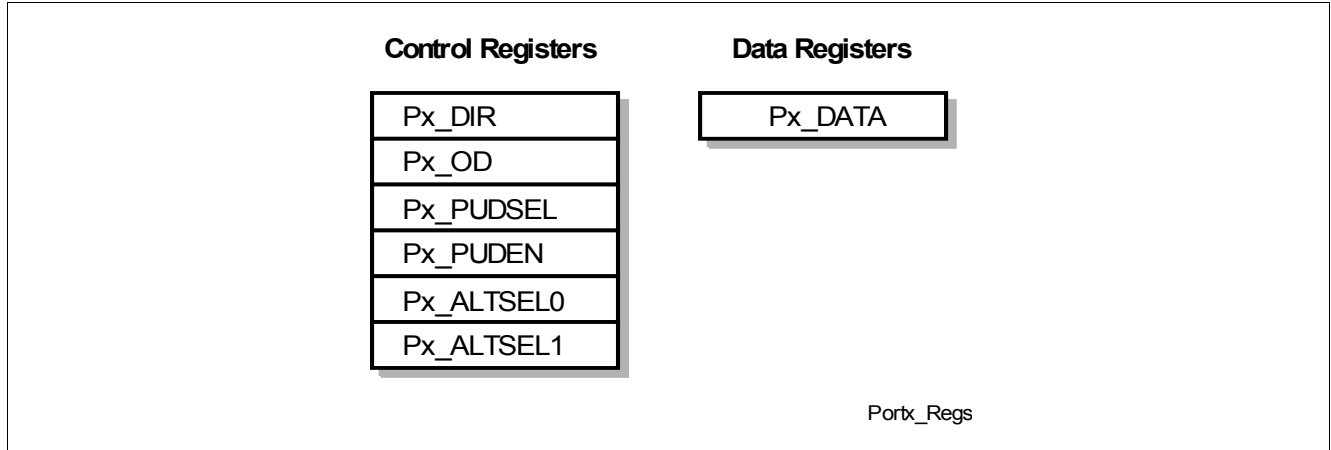


Figure 57 Port Registers

Table 58 Port Registers

Register Short Name	Register Long Name	Description
Px_DATA	Port x Data Register	303
Px_DIR	Port x Direction Register	303
Px_OD	Port x Open Drain Control Register	304
Px_PUDESEL	Port x Pull-Up/Pull-Down Select Register	304
Px_PUDEN	Port x Pull-Up/Pull-Down Enable Register	304
Px_ALTSEL0	Port x Alternate Select Register 0	306
Px_ALTSEL1	Port x Alternate Select Register 1	306

Note: Not all the registers are implemented for each port.

Note: The Px_DATA registers are not read-modify-write save.

14.3.0.1 Port Data Register

If a port pin is used as general purpose output, output data is written into register Px_DATA of port x. When the port pin is used as general purpose input, the value at a port pin can be read through the register Px_DATA. The data register Px_DATA always contains a latched value of the assigned port pin.

Px_DATA

Port x Data Register

Reset Value: H

7	6	5	4	3	2	1	0
P7	P6	P5	P4	P3	P2	P1	P0
rwh	rwh	rwh	rwh	rwh	rwh	rwh	rwh

Field	Bits	Type	Description
Pn (n = 0 - 7)	n	rwh	Portx Pin n Data Value 0 Port x pin n data value = 0 1 Port x pin n data value = 1

Bit Px_DATA.n can only be written if the corresponding pin is set to output, i.e. Px_DIR.n = 1. The contents of Px_DATA.n are output on the assigned pin if the pin is assigned as GPIO pin and the direction is switched/set to output. A read operation of Px_DATA returns the register value and not the state of the Px_DATA pins.

14.3.1 Direction Register

The direction of bidirectional port pins is controlled by the respective direction register Px_DIR. For input-only port pins, register Px_DIR is used to enable or disable the input drivers.

Px_DIR

Port x Direction Register

Reset Value: H

7	6	5	4	3	2	1	0
P7	P6	P5	P4	P3	P2	P1	P0
rw	rw	rw	rw	rw	rw	rw	rw

Field	Bits	Type	Description
Pn (n = 0 - 7)	n	rw	Bidirectional: Port x Pin n Direction Control 0 Direction is set to input (default) 1 Direction is set to output or Input-only: Port x Pin n Driver Control 0 Input driver is enabled (default) 1 Input driver is disabled

14.3.2 Open Drain Control Register

Each pin in output mode can be switched to Open Drain Mode. If driven with 1, no driver will be activated and the pin output state depends on the internal pull-up/pull-down device setting; if driven with 0, the driver's pull-down transistor will be activated.

The open drain mode is controlled by the register Px_OD.

Px_OD

Port x Open Drain Control Register

Reset Value: \bar{H}

7	6	5	4	3	2	1	0
P7	P6	P5	P4	P3	P2	P1	P0
rw	rw	rw	rw	rw	rw	rw	rw

Field	Bits	Type	Description
Py (y = 0 - 7)	n	rw	Port x Pin y Open Drain Mode 0 Normal Mode, output is actively driven for 0 and 1 state (default) 1 Open Drain Mode, output is actively driven only for 0 state

14.3.3 Pull-Up/Pull-Down Device Register

Internal pull-up/pull-down devices can be optionally applied to a port pin. This offers the possibility to configure the following input characteristics:

- tristate
- high-impedance with a weak pull-up device
- high-impedance with a weak pull-down device

and the following output characteristics:

- push/pull (optional pull-up/pull-down)
- open drain with internal pull-up
- open drain with external pull-up

The pull-up/pull-down device can be fixed or controlled via the registers Px_PUDSEL and Px_PUDEN. Register Px_PUDSEL selects the type of pull-up/pull-down device, while register Px_PUDEN enables or disables it. The pull-up/pull-down device can be selected pinwise.

Note: The selected pull-up/pull-down device is enabled by setting the respective bit in the Px_PUDEN register.

Px_PUDSEL

Port x Pull-Up/Pull-Down Select Register

Reset Value: \bar{H}

7	6	5	4	3	2	1	0
P7	P6	P5	P4	P3	P2	P1	P0
rw	rw	rw	rw	rw	rw	rw	rw

Field	Bits	Type	Description
Py (y = 0 - 7)	n	rw	Pull-Up/Pull-Down Select Port x Bit y 0 Pull-down device is selected 1 Pull-up device is selected

Px_PUDEN

Port x Pull-Up/Pull-Down Enable Register

Reset Value: H

7	6	5	4	3	2	1	0
P7	P6	P5	P4	P3	P2	P1	P0
rw	rw	rw	rw	rw	rw	rw	rw

Field	Bits	Type	Description
Py (y = 0 - 7)	n	rw	Pull-Up/Pull-Down Enable at Port x Bit y 0 Pull-up or Pull-down device is disabled 1 Pull-up or Pull-down device is enabled

14.3.3.1 Alternate Input Functions

The number of alternate functions that uses a pin for input is not limited. Each port control logic of an I/O pin provides several input paths:

- Digital input value via register
- Direct digital input value

14.3.4 Alternate Output Functions

Alternate functions are selected via an output multiplexer which can select up to four output lines. This multiplexer can be controlled by the following signals:

- Register Px_ALTSEL0
- Register Px_ALTSEL1

Selection of alternate functions is defined in registers Px_ALTSEL0 and Px_ALTSEL1.

Px_ALTSELy (y = 0, 1)

Port x Alternate Select Register

Reset Value: H

7	6	5	4	3	2	1	0
0	0	0	P4	P3	P2	P1	P0
rw	rw	rw	rw	rw	rw	rw	rw

Field	Bits	Type	Description
Pn (n = 0 - 4)	n	rw	See Table 59

Table 59 Function of Bits Px_ALTSEL0.Pn and Px_ALTSEL1.Pn

Px_ALTSEL0.Pn	Px_ALTSEL1.Pn	Function
0	0	Normal GPIO
1	0	Alternate Select 1
0	1	Alternate Select 2
1	1	Alternate Select 3

14.3.5 Register Map

Table 60 shows the Ports module base addresses.

Table 61 lists the addresses of the Ports SFRs and SCU SFRs.

Table 60 Registers Address Space

Module	Base Address	End Address	Note
PORT	48028000 _H	48029FFF _H	
SCU	50005000 _H	50005FFF _H	

Table 61 Registers Overview Ports

Register Short Name	Register Long Name	Offset Address	Page Number
P0_DATA	Port 0 Data Register	00 _H	311
P0_DIR	Port 0 Direction Register	04 _H	311
P1_DATA	Port 1 Data Register	08 _H	317
P1_DIR	Port 1 Direction Register	0C _H	317
P2_DATA	Port 2 Data Register	10 _H	323
P2_DIR	Port 2 Direction Register	14 _H	323
P0_PUDSEL	Port 0 Pull-Up/Pull-Down Select Register	18 _H	312
P0_PUDEN	Port 0 Pull-Up/Pull-Down Enable Register	1C _H	312
P1_PUDSEL	Port 1 Pull-Up/Pull-Down Select Register	20 _H	318
P1_PUDEN	Port 1 Pull-Up/Pull-Down Enable Register	24 _H	319
P2_PUDSEL	Port 2 Pull-Up/Pull-Down Select Register	28 _H	323
P2_PUDEN	Port 2 Pull-Up/Pull-Down Enable Register	2C _H	324
P0_ALTSEL0	Port 0 Alternate Select Register 0	30 _H	313
P0_ALTSEL1	Port 0 Alternate Select Register 1	34 _H	313
P1_ALTSEL0	Port 1 Alternate Select Register 0	38 _H	320
P1_ALTSEL1	Port 1 Alternate Select Register 1	3C _H	320
P0_OD	Port 0 Open Drain Control Register	40 _H	312
P1_OD	Port 1 Open Drain Control Register	44 _H	318

Table 62 Registers Overview SCU Module

Register Short Name	Register Long Name	Offset Address	Page Number
P0_POCON0	P0 Control Register	0E8 _H	122
P0_POCON1	P0 Control Register	0EC _H	123
P0_POCON2	P0 Control Register	0F0 _H	124
P1_POCON0	P1 Control Register	0F8 _H	125
P1_POCON1	P1 Control Register	0FC _H	126
P1_POCON2	P1 Control Register	100 _H	127

14.4 TLE9868QXB20 Port Module

14.4.1 Port 0

14.4.1.1 Overview

Port 0 is a general purpose bidirectional port. The port registers of Port 0 are shown in [Table 58](#).

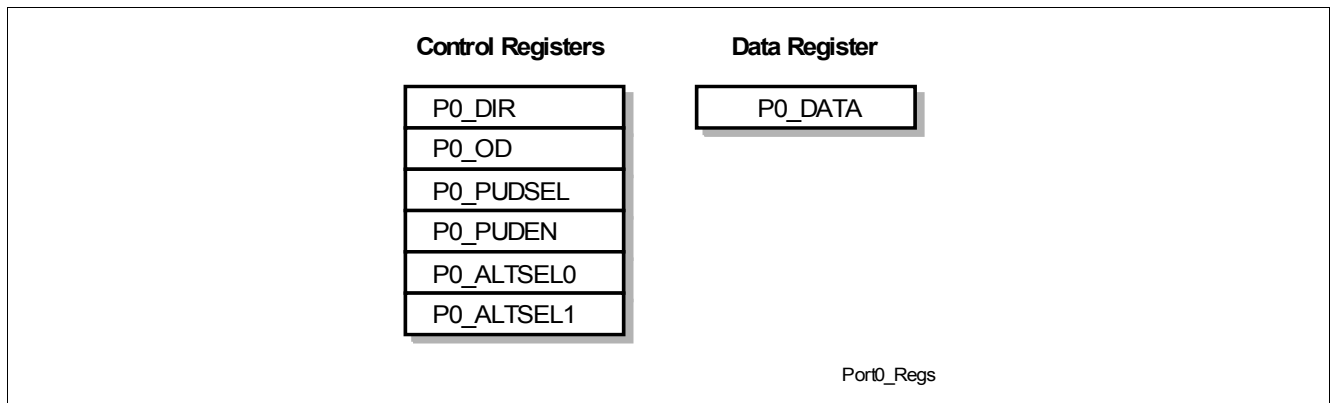


Figure 58 Port 0 Registers

Table 63 Port 0 Registers

Register Short Name	Register Long Name
P0_DATA	Port 0 Data Register
P0_DIR	Port 0 Direction Register
P0_OD	Port 0 Open Drain Control Register
P0_PUDSEL	Port 0 Pull-Up/Pull-Down Select Register
P0_PUDEN	Port 0 Pull-Up/Pull-Down Enable Register
P0_ALTSEL0	Port 0 Alternate Select Register 0
P0_ALTSEL1	Port 0 Alternate Select Register 1

14.4.1.2 Port 0 Functions

Table 64 Port 0 Input/Output Functions

Port Pin	Input/Output	Select	Connected Signal(s)	From/to Module		
P0.0	Input	GPI	P0_DATA.P0			
		INP1	SWCLK / TCK_0	SW		
		INP2	T12HR_0	CCU6		
		INP3	T4INA	GPT12T4		
		INP4	T2_0	Timer 2		
		INP5	–	–		
		INP6	EXINT2_3	SCU		
	Output	GPO	P0_DATA.P0			
		ALT1	T3OUT	GPT12T3		
		ALT2	EXF21_0	Timer 21		
		ALT3	RXDO_2	UART2		
		P0.1	Input	GPI	P0_DATA.P1	
				INP1	T13HR_0	CCU6
INP2	TxD1			LIN_TxD		
INP3	CAPINA			GPT12CAP		
INP4	T21_0			Timer 21		
INP5	T4INC			GPT12T4		
INP6	MRST_1_2			SSC1		
Output	GPO	P0_DATA.P1				
	ALT1	TxD1	UART1 / LIN_TxD			
	ALT2	–	–			
	ALT3	T6OUT	GPT12T6			
P0.2	Input	GPI	P0_DATA.P2			
		INP1	CCPOS2_1	CCU6		
		INP2	T2EUDA	GPT12T2		
		INP3	MTSR_1	SSC1		
		INP4	T21EX_0	Timer 21		
		INP5	T6INA	GPT12T6		
	Output	GPO	P0_DATA.P2	–		
		ALT1	COU60_0	CCU6		
		ALT2	MTSR_1	SSC1		
		ALT3	EXF2_0	Timer 2		

Table 64 Port 0 Input/Output Functions (cont'd)

Port Pin	Input/Output	Select	Connected Signal(s)	From/to Module		
P0.3	Input	GPI	P0_DATA.P3			
		INP1	SCK_1	SSC1		
		INP2	CAPINB	GPT12		
		INP3	T5INA	GPT12T5		
		INP4	T4EUDA	GPT12T4		
		INP5	CCPOS0_1	CCU6		
	Output	GPO	P0_DATA.P3			
		ALT1	SCK_1	SSC1		
		ALT2	EXF21_2	Timer 21		
		ALT3	T6OUT	GPT12T6		
		P0.4	Input	GPI	P0_DATA.P4	
				INP1	MRST_1_0	SSC1
				INP2	CC60_0	CCU6
INP3	T21_2			Timer 21		
INP4	EXINT2_2			SCU		
INP5	T3EUDA			GPT12T3		
INP6	CCPOS1_1			CCU6		
Output	GPO		P0_DATA.P4			
	ALT1		MRST_1_0	SSC1		
	ALT2		CC60_0	CCU6		
		ALT3	CLKOUT_0	SCU		

14.4.1.3 Port 0 Register Description

Data Register

P0_DATA

Port 0 Data Register

(00_H)

Reset Value: XX_H

7	6	5	4	3	2	1	0
Res			P4	P3	P2	P1	P0
r			rwh	rwh	rwh	rwh	rwh

Field	Bits	Type	Description
Px (x = 0 - 4)	n	rwh	Port 0 Pin x Data Value 0 _B Port 0 pin x data value = 0 1 _B Port 0 pin x data value = 1
Res	[7:5]	r	Reserved Returns 0 if read; should be written with 0.

Direction Register

P0_DIR

Port 0 Direction Register

(04_H)

Reset Value: 00_H

7	6	5	4	3	2	1	0
Res			P4	P3	P2	P1	P0
r			rw	rw	rw	rw	rw

Field	Bits	Type	Description
Px (x = 0 - 4)	n	rw	Port 0 Pin x Direction Control 0 _B Direction is set to input (default) 1 _B Direction is set to output
Res	[7:5]	r	Reserved Returns 0 if read; should be written with 0.

Open Drain Control Register

P0_OD

Port 0 Open Drain Control Register

(40_H)

Reset Value: 00_H

7	6	5	4	3	2	1	0
Res			P4	P3	P2	P1	P0
r			rw	rw	rw	rw	rw

Field	Bits	Type	Description
Px (x = 0 - 4)	n	rw	Port 0 Pin x Open Drain Mode 0 _B Normal Mode, output is actively driven for 0 and 1 state (default) 1 _B Open Drain Mode, output is actively driven only for 0 state
Res	[7:5]	r	Reserved Returns 0 if read; should be written with 0.

Pull-Up/Pull-Down Device Register

P0_PUDSEL

Port 0 Pull-Up/Pull-Down Select Register

(18_H)

Reset Value: 0B_H

7	6	5	4	3	2	1	0
Res			P4	P3	P2	P1	P0
r			rw	rw	rw	rw	rw

Field	Bits	Type	Description
Px (x = 0 - 4)	n	rw	Pull-Up/Pull-Down Select Port 0 Bit x 0 _B Pull-down device is selected 1 _B Pull-up device is selected
Res	[7:5]	r	Reserved Returns 0 if read; should be written with 0.

P0_PUDEN

Port 0 Pull-Up/Pull-Down Enable Register

(1C_H)

Reset Value: 1F_H

7	6	5	4	3	2	1	0
Res			P4	P3	P2	P1	P0
r			rw	rw	rw	rw	rw

Field	Bits	Type	Description
Px (x = 0 - 4)	n	rw	Pull-Up/Pull-Down Enable at Port 0 Bit x 0 _B Pull-up or Pull-down device is disabled 1 _B Pull-up or Pull-down device is enabled
Res	[7:5]	r	Reserved Returns 0 if read; should be written with 0.

Alternate Output Select Register

P0_ALTSELy (y = 0-1)

Port 0 Alternate Select Register

(30_H+y*4_H)

Reset Value: 00_H

7	6	5	4	3	2	1	0
Res			P4	P3	P2	P1	P0
r			rw	rw	rw	rw	rw

Field	Bits	Type	Description
Px (x = 0 - 4)	n	rw	Alternate Select Port 0 Bit x See Table 65
Res	[7:5]	r	Reserved Returns 0 if read; should be written with 0.

Table 65 Function of Bits P0_ALTSEL0.Px and P0_ALTSEL1.Px

P0_ALTSEL0.Px	P0_ALTSEL1.Px	Function
0	0	Normal GPIO
1	0	Alternate Select 1
0	1	Alternate Select 2
1	1	Alternate Select 3

14.4.2 Port 1

14.4.2.1 Overview

Port 1 is a general purpose bidirectional port. The port registers of Port 1 are shown in [Table 59](#).

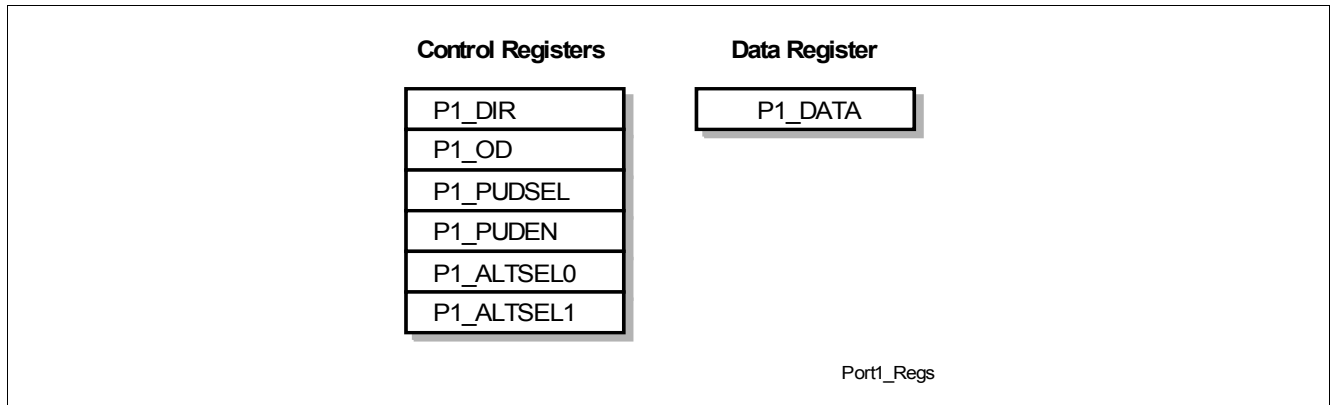


Figure 59 Port 1 Registers

Table 66 Port 1 Registers

Register Short Name	Register Long Name
P1_DATA	Port 1 Data Register
P1_DIR	Port 1 Direction Register
P1_OD	Port 1 Open Drain Control Register
P1_PUDSEL	Port 1 Pull-Up/Pull-Down Select Register
P1_PUDEN	Port 1 Pull-Up/Pull-Down Enable Register
P1_ALTSEL0	Port 1 Alternate Select Register 0
P1_ALTSEL1	Port 1 Alternate Select Register 1

14.4.2.2 Port 1 Functions

Table 67 Port 1 Input / Output Functions

Port Pin	Input/Output	Select	Connected Signal(s)	From/to Module
P1.0	Input	GPI	P1_DATA.P0	
		INP1	T3INC	GPT12T3
		INP2	T4EUDB	GPT12T4
		INP3	CC61_0	CCU6
		INP4	SCK_2	SSC2
		INP5	EXINT1_2	SCU
	Output	GPO	P1_DATA.P0	
		ALT1	SCK_2	SSC2
		ALT2	CC61_0	CCU6
		ALT3	EXF21_3	Timer 21

Table 67 Port 1 Input / Output Functions (cont'd)

Port Pin	Input/Output	Select	Connected Signal(s)	From/to Module		
P1.1	Input	GPI	P1_DATA.P1			
		INP1	–	–		
		INP2	T6EUDA	GPT12T6		
		INP3	–	-		
		INP4	MTSR_2	SSC2		
		INP5	T21_1	Timer 21		
		INP6	EXINT1_0	SCU		
	Output	GPO	P1_DATA.P1	–		
		ALT1	MTSR_2	SSC2		
		ALT2	COU61_0	CCU6		
		ALT3	TXD2_0	UART2		
		P1.2	Input	GPI	P1_DATA.P2	
				INP1	T2INA	GPT12T2
INP2	T2EX_1			Timer 2		
INP3	T21EX_3			Timer 21		
INP4	MRST_2_0			SSC2		
INP5	RXD2_0			UART2		
INP6	CCPOS2_2			CCU6		
Output	GPO	P1_DATA.P2				
	ALT1	MRST_2_0	SSC2			
	ALT2	COU63_0	CCU6			
	ALT3	T3OUT	GPT12T3			
P1.3	Input	GPI	P1_DATA.P3			
		INP1	T6INB	GPT12T6		
		INP2	–			
		INP3	CC62_0	CCU6		
		INP4	T6EUDB	GPT12T6		
		INP5	–			
		INP6	CCPOS0_2	CCU6		
		INP7	EXINT1_1	SCU		
	Output	GPO	P1_DATA.P3			
		ALT1	EXF21_1	Timer 21		
		ALT2	CC62_0	CCU6		
		ALT3	TXD2_1	UART2		

Table 67 Port 1 Input / Output Functions (cont'd)

Port Pin	Input/Output	Select	Connected Signal(s)	From/to Module
P1.4	Input	GPI	P1_DATA.P4	
		INP1	EXINT2_1	SCU
		INP2	T21EX_1	Timer 21
		INP3	T5EUDA	GPT12T5
		INP4	RxD1	UART1
		INP5	T2INB	GPT12T2
		INP6	CCPOS1_2	CCU6
	INP7	MRST_1_3	SSC1	
	Output	GPO	P1_DATA.P4	
		ALT1	CLKOUT_1	SCU
		ALT2	COOUT62_0	CCU6
ALT3		RxD1	UART1 / LIN_RxD	

14.4.2.3 Port 1 Register Description

Data Register

P1_DATA

Port 1 Data Register

(08_H)

Reset Value: XX_H



Field	Bits	Type	Description
Px (x = 0 - 4)	n	rwh	Port 1 Pin n Data Value 0 _B Port 1 pin x data value = 0 1 _B Port 1 pin x data value = 1
Res	[7:5]	r	Reserved Returns 0 if read; should be written with 0.

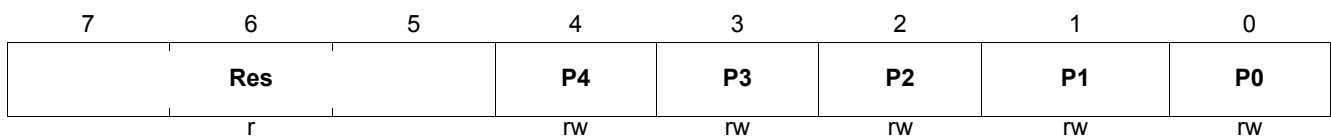
Direction Register

P1_DIR

Port 1 Direction Register

(0C_H)

Reset Value: 00_H



Field	Bits	Type	Description
Px (x = 0 - 4)	n	rw	Port 1 Pin x Direction Control 0 _B Direction is set to input (default) 1 _B Direction is set to output
Res	[7:5]	r	Reserved Returns 0 if read; should be written with 0.

Open Drain Control Register

P1_OD

Port 1 Open Drain Control Register

(44_H)

Reset Value: 00_H

7	6	5	4	3	2	1	0
Res			P4	P3/P2	P1	P0	Res
r			rw	rw	rw	rw	r

Field	Bits	Type	Description
Res	0	r	reserved
P0	1	rw	P1.0 Open Drain Mode 0 _B Normal Mode, output is actively driven for 0 and 1 state (default) 1 _B Open Drain Mode, output is actively driven only for 0 state
P1	2	rw	P1.1 Open Drain Mode 0 _B Normal Mode, output is actively driven for 0 and 1 state (default) 1 _B Open Drain Mode, output is actively driven only for 0 state
P3/P2	3	rw	P1.3 and P1.2 Open Drain Mode 0 _B Normal Mode, output is actively driven for 0 and 1 state (default) 1 _B Open Drain Mode, output is actively driven only for 0 state
P4	4	rw	P1.4 Open Drain Mode 0 _B Normal Mode, output is actively driven for 0 and 1 state (default) 1 _B Open Drain Mode, output is actively driven only for 0 state
Res	[7:5]	r	Reserved Returns 0 if read; should be written with 0.

Pull-Up/Pull-Down Device Register

P1_PUDSEL

Port 1 Pull-Up/Pull-Down Select Register

(20_H)

Reset Value: 1F_H

7	6	5	4	3	2	1	0
Res			P4	P3	P2	P1	P0
r			rw	rw	rw	rw	rw

Field	Bits	Type	Description
Px (x = 0 - 4)	n	rw	Pull-Up/Pull-Down Select Port 1 Bit x 0 _B Pull-down device is selected 1 _B Pull-up device is selected (default)
Res	[7:5]	r	Reserved Returns 0 if read; should be written with 0.

P1_PUDEN

Port 1 Pull-Up/Pull-Down Enable Register

(24_H)

Reset Value: 00_H

7	6	5	4	3	2	1	0
	Res		P4	P3	P2	P1	P0
	r		rw	rw	rw	rw	rw

Field	Bits	Type	Description
Px (x = 0 - 4)	n	rw	Pull-Up/Pull-Down Enable at Port 1 Bit x 0 _B Pull-up or Pull-down device is disabled (default) 1 _B Pull-up or Pull-down device is enabled
Res	[7:5]	r	Reserved Returns 0 if read; should be written with 0.

Alternate Output Select Register

P1_ALTSELy (y = 0-1)

Port 1 Alternate Select Register

(38_H+y*4_H)

Reset Value: 00_H

7	6	5	4	3	2	1	0
Res			P4	P3	P2	P1	P0
r			rw	rw	rw	rw	rw

Field	Bits	Type	Description
Px (x = 0 - 4)	n	rw	Alternate Select Port 1 Bit x See Table 68
Res	[7:5]	r	Reserved Returns 0 if read; should be written with 0.

Table 68 Function of Bits P1_ALTSEL0.Px and P1_ALTSEL1.Px

P1_ALTSEL0.Px	P1_ALTSEL1.Px	Function
0	0	Normal GPIO
1	0	Alternate Select 1
0	1	Alternate Select 2
1	1	Alternate Select 3

14.4.3 Port 2

14.4.3.1 Overview

Port 2 is a general purpose input-only port. The port registers of Port 2 are shown in [Table 60](#).

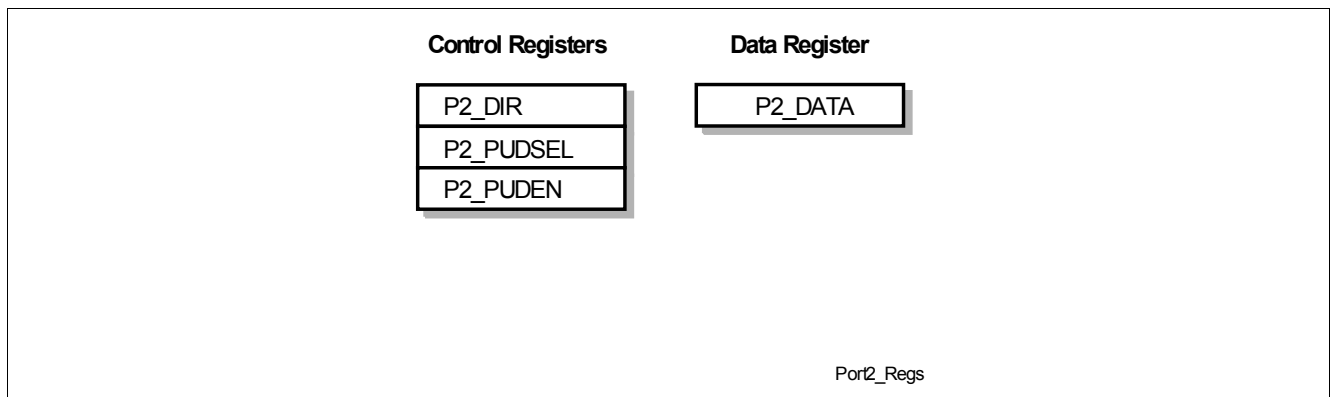


Figure 60 Port 2 Registers

Table 69 Port 2 Registers

Register Short Name	Register Long Name
P2_DATA	Port 2 Data Register
P2_DIR	Port 2 Direction Register
P2_PUSELECT	Port 2 Pull-Up/Pull-Down Select Register
P2_PUDEN	Port 2 Pull-Up/Pull-Down Enable Register

14.4.3.2 Port 2 Functions

Table 70 Port 2 Input Functions

Port Pin	Input/Output	Select	Connected Signal(s)	From/to Module
P2.1	Input	GPI	P2_DATA.P1	
		INP1	CCPOS0_0	CCU6
		INP2	T5INB	GPT12T5
		INP3	T12HR_1	CCU6
		INP4	T5EUDB	GPT12T5
		INP5	CC61_1	CCU6
		ANALOG	AN1	ADC
P2.3	Input	GPI	P2_DATA.P3	
		INP1	CCPOS1_0	CCU6
		INP2	CTRAPH_1	CCU6
		INP3	T21EX_2	Timer 21
		INP4	CC60_1	CCU6
		INP5	EXINT0_3	SCU
		ANALOG	AN3	ADC1

Table 70 Port 2 Input Functions (cont'd)

Port Pin	Input/Output	Select	Connected Signal(s)	From/to Module
P2.4	Input	GPI	P2_DATA.P4	
		INP1	CTR $\overline{\text{AP}}\#_0$	CCU6
		INP2	T2EUDB	GPT12T2
		INP3	MRST_1_1	SSC1
		INP4	EXINT1_3	SCU
		ANALOG	AN4	ADC1
P2.5	Input	GPI	P2_DATA.P5	
		INP1	RXD2_1	UART2
		INP2	T3EUDB	GPT12T3
		INP3	MRST_2_1	SSC2
		INP4	T2_1	Timer 2
		ANALOG	AN5	ADC1
P2.7	Input	GPI	P2_DATA.P7	
		INP1	CCPOS2_0	CCU6
		INP2	EXINT2_0	SCU
		INP3	T13HR_1	CCU6
		INP4	–	–
		INP5	CC62_1	CCU6
		ANALOG	AN7	ADC

14.4.3.3 Port 2 Register Description

Data Register

P2_DATA

Port 2 Data Register

(10_H)

Reset Value: XX_H

7	6	5	4	3	2	1	0
P7	Res	P5	P4	P3	0	P1	0
rh	r	rh	rh	rh	rh	rh	rh

Field	Bits	Type	Description
Px (x = 1, 3 - 5, 7)	n	rh	Port 2 Pin x Data Value 0 _B Port 2 pin x data value = 0 1 _B Port 2 pin x data value = 1
Res	6	r	Reserved Returns 0 if read; should be written with 0.

Direction Register

P2_DIR

Port 2 Direction Register

(14_H)

Reset Value: BF_H

7	6	5	4	3	2	1	0
P7	Res	P5	P4	P3	0	P1	0
rw	r	rw	rw	rw	rw	rw	rw

Field	Bits	Type	Description
Px (x = 1, 3 - 5, 7)	n	rw	Port 2 Pin x Driver Control 0 _B Input driver is enabled 1 _B Input driver is disabled (default)
Res	6	r	Reserved Returns 0 if read; should be written with 0.

Pull-Up/Pull-Down Device Register

P2_PUDSEL

Port 2 Pull-Up/Pull-Down Select Register

(28_H)

Reset Value: BF_H

7	6	5	4	3	2	1	0
P7	Res	P5	P4	P3	0	P1	0
rw	r	rw	rw	rw	rw	rw	rw

Field	Bits	Type	Description
Px (x = 1, 3 - 5, 7)	n	rw	Pull-Up/Pull-Down Select Port 2 Bit x 0 _B Pull-down device is selected 1 _B Pull-up device is selected (default)

Field	Bits	Type	Description
Res	6	r	Reserved Returns 0 if read; should be written with 0.

P2_PUDEN

Port 2 Pull-Up/Pull-Down Enable Register

(2C_H)

Reset Value: 00_H

7	6	5	4	3	2	1	0
P7	Res	P5	P4	P3	0	P1	0
rw	r	rw	rw	rw	rw	rw	rw

Field	Bits	Type	Description
Px (x = 1, 3 - 5, 7)	n	rw	Pull-Up/Pull-Down Enable at Port 2 Bit x 0 _B Pull-up or Pull-down device is disabled (default) 1 _B Pull-up or Pull-down device is enabled
Res	6	r	Reserved Returns 0 if read; should be written with 0.

14.5 Alternate Function Map

The following figure displays the mapping of the alternate function of the GPIOs.

GPIO Ports and Peripheral I/O

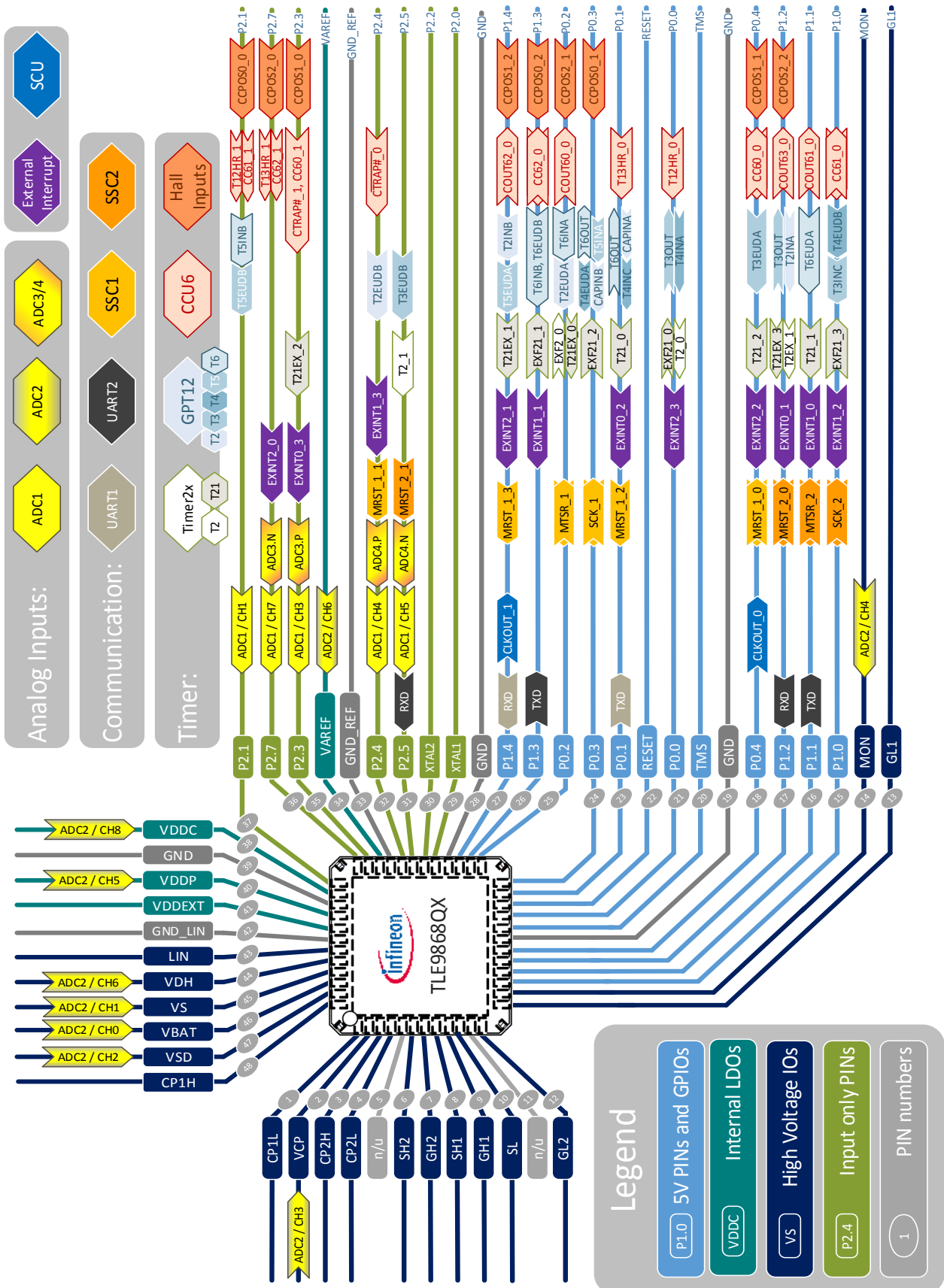


Figure 61 Alternate Function Map

15 General Purpose Timer Units (GPT12)

15.1 Features

15.1.1 Features Block GPT1

The following list summarizes the supported features:

- f_{GPT} is derived from PCLK
- $f_{\text{GPT}}/4$ maximum resolution
- 3 independent timers/counters
- Timers/counters can be concatenated
- 4 operating modes:
 - Timer Mode
 - Gated Timer Mode
 - Counter Mode
 - Incremental Interface Mode
- Reload and Capture functionality
- Shared interrupt: Node 0

15.1.2 Features Block GPT2

The following list summarizes the supported features:

- f_{GPT} is derived from PCLK
- $f_{\text{GPT}}/2$ maximum resolution
- 2 independent timers/counters
- Timers/counters can be concatenated
- 3 operating modes:
 - Timer Mode
 - Gated Timer Mode
 - Counter Mode
- Extended capture/reload functions via 16-bit capture/reload register CAPREL
- Shared interrupt: Node 1

15.2 Introduction

The General Purpose Timer Unit blocks GPT1 and GPT2 have very flexible multifunctional timer structures which may be used for timing, event counting, pulse width measurement, pulse generation, frequency multiplication, and other purposes.

They incorporate five 16-bit timers that are grouped into the two timer blocks GPT1 and GPT2. Each timer in each block may operate independently in a number of different modes such as Gated timer or Counter Mode, or may be concatenated with another timer of the same block.

Each block has alternate input/output functions and specific interrupts associated with it. Input signals can be selected from several sources by register PISEL.

The GPT module is clocked with clock f_{GPT} . f_{GPT} is a clock derived from PCLK.

15.2.1 Block Diagram GPT1

Block GPT1 contains three timers/counters: The core timer T3 and the two auxiliary timers T2 and T4. The maximum resolution is $f_{GPT}/4$. The auxiliary timers of GPT1 may optionally be configured as reload or capture registers for the core timer. These registers are listed in [Section 15.3.7.1](#).

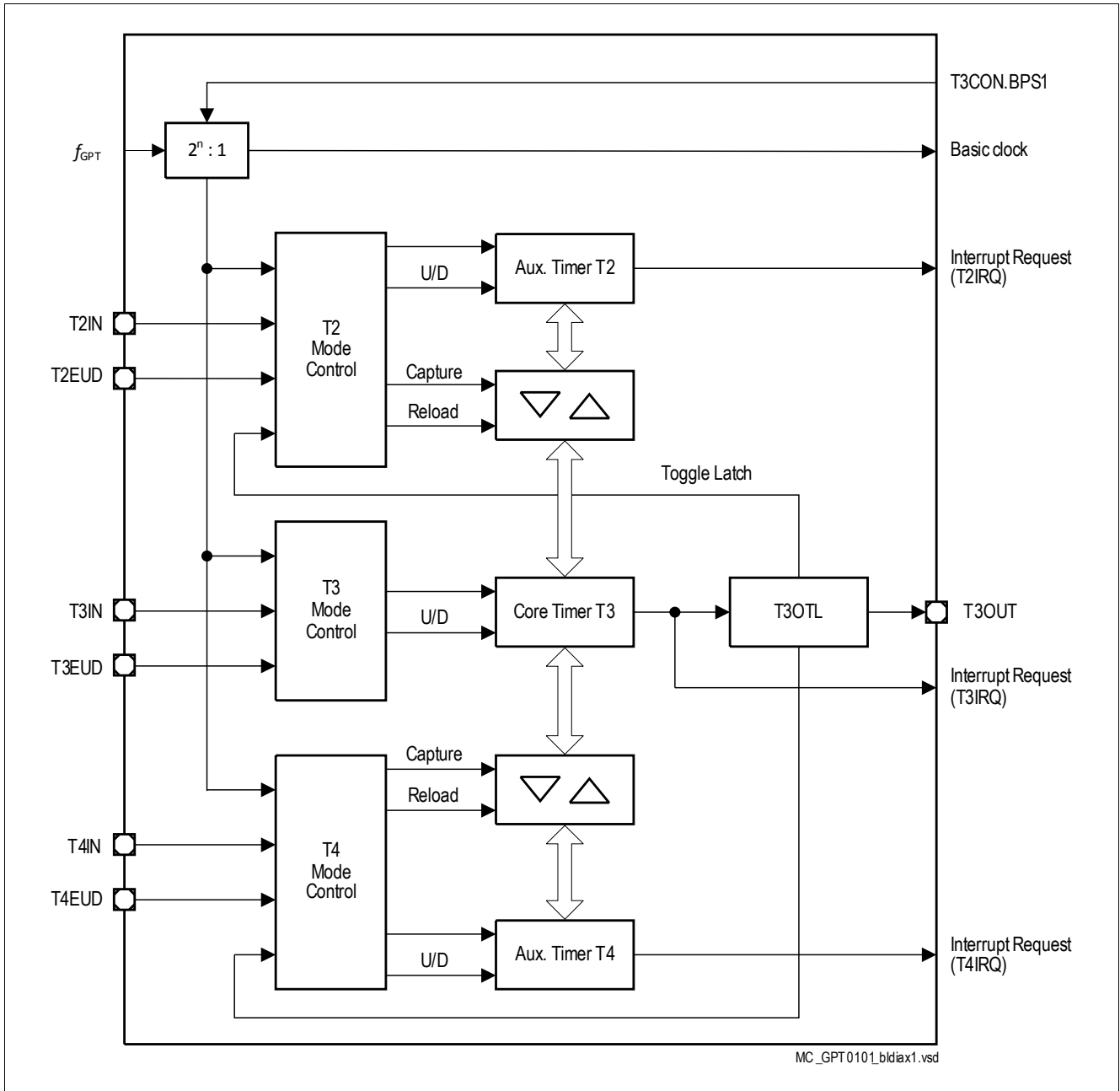


Figure 62 GPT1 Block Diagram (n = 2 ... 5)

15.2.2 Block Diagram GPT2

Block GPT2 contains two timers/counters: The core timer T6 and the auxiliary timer T5. The maximum resolution is $f_{GPT}/2$. An additional Capture/Reload register (CAPREL) supports capture and reload operation with extended functionality. These registers are listed in [Section 15.4.8.1](#).

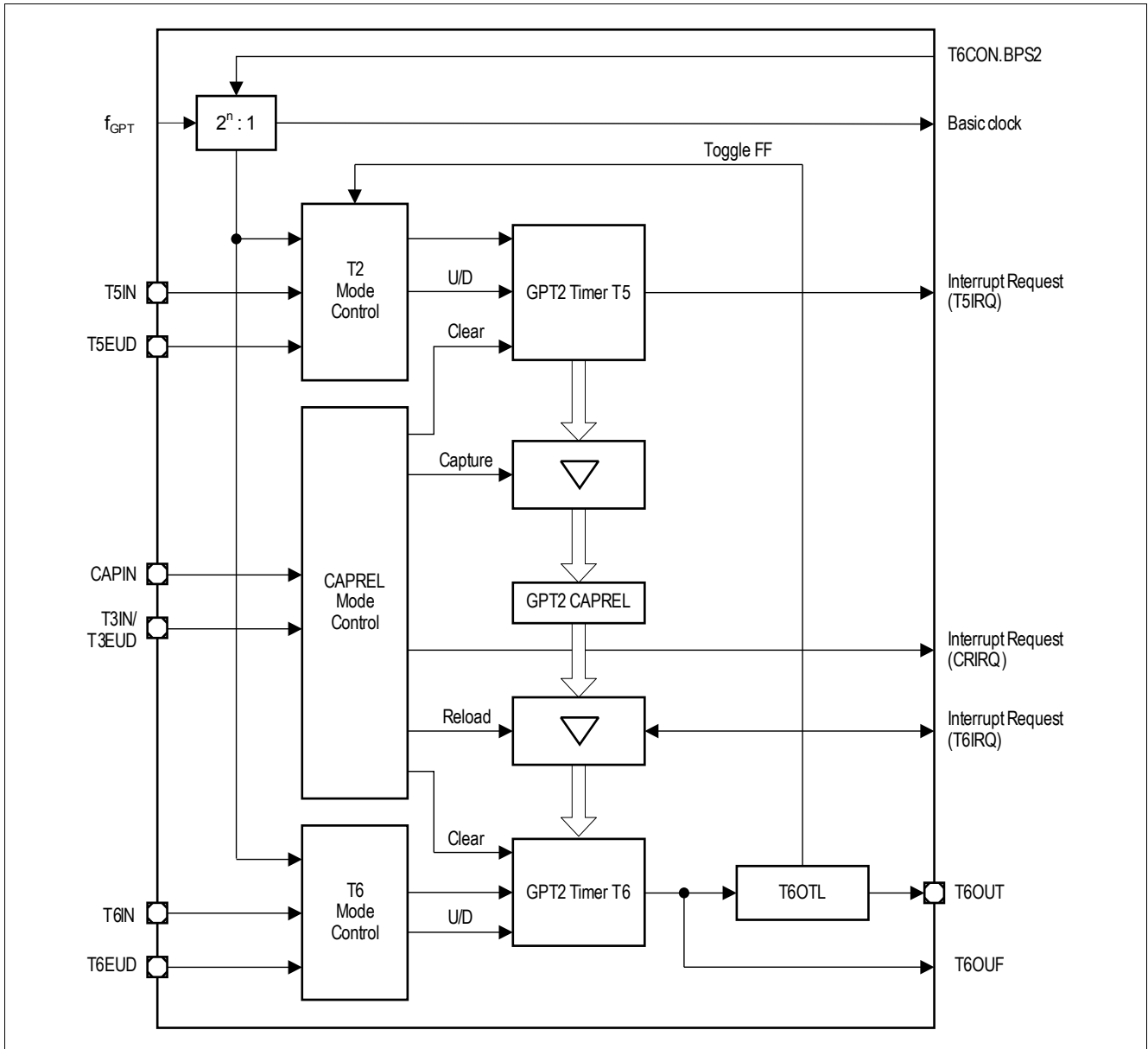


Figure 63 GPT2 Block Diagram (n = 1 ... 4)

15.3 Timer Block GPT1

From a programmer's point of view, the GPT1 block is composed of a set of SFRs as summarized below. Those portions of port and direction registers which are used for alternate functions by the GPT1 block are shaded.

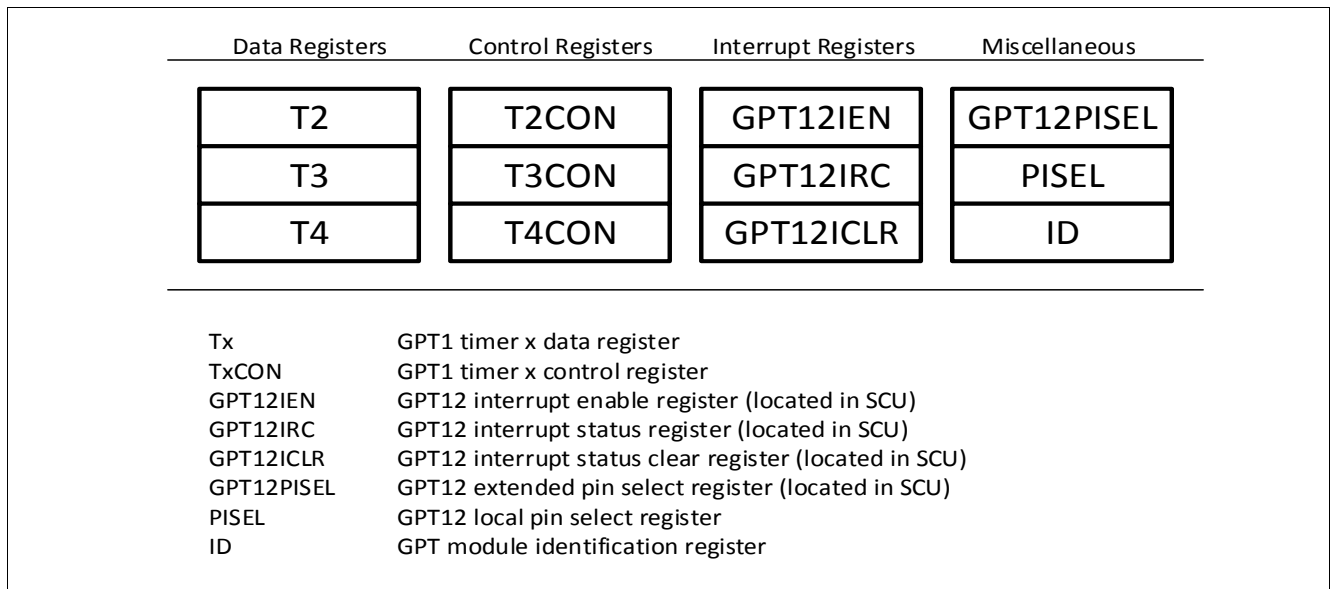


Figure 64 SFRs Associated with Timer Block GPT1

All three timers of block GPT1 (T2, T3, T4) can run in one of 4 basic modes: Timer Mode, Gated Timer Mode, Counter Mode, or Incremental Interface Mode. All timers can count up or down. Each timer of GPT1 is controlled by a separate control register TxCON.

Each timer has an input pin TxIN (alternate pin function) associated with it, which serves as the gate control in Gated Timer Mode, or as the count input in Counter Mode. The count direction (up/down) may be programmed via software or may be dynamically altered by a signal at the External Up/Down control input TxEUD (alternate pin function). An overflow/underflow of core timer T3 is indicated by the Output Toggle Latch T3OTL, whose state may be output on the associated pin T3OUT (alternate pin function). The auxiliary timers T2 and T4 may additionally be concatenated with the core timer T3 (through T3OTL) or may be used as capture or reload registers for the core timer T3.

The current contents of each timer can be read or modified by the CPU by accessing the corresponding timer count registers T2, T3, or T4, located in the non-bitaddressable SFR space (see [Section 15.3.7.1](#)). When any of the timer registers is written to by the CPU in the state immediately preceding a timer increment, decrement, reload, or capture operation, the CPU write operation has priority in order to guarantee correct results.

The interrupts of GPT1 are controlled through the SCU.[GPT12IEN](#) and SCU.[GPT12IRC](#). These registers are not part of the GPT1 block.

The input and output lines of GPT1 are connected to pins. The control registers for the port functions are located in the respective port modules.

Note: The timing requirements for external input signals can be found in [Section 15.3.5](#), [Section 15.7.1](#) summarizes the module interface signals, including pins.

15.3.1 GPT1 Core Timer T3 Control

The current contents of the core timer T3 are reflected by its count register T3. This register can also be written to by the CPU, for example, to set the initial start value.

The core timer T3 is configured and controlled via its control register T3CON.

Timer T3 Run Control

The core timer T3 can be started or stopped by software through bit T3R (Timer T3 Run Bit). This bit is relevant in all operating modes of T3. Setting bit T3R will start the timer, clearing bit T3R stops the timer.

In Gated Timer Mode, the timer will only run if T3R = 1 and the gate is active (high or low, as programmed).

Note: When bit T2RC or T4RC in timer control register T2CON or T4CON is set, bit T3R will also control (start and stop) the auxiliary timer(s) T2 and/or T4.

Count Direction Control

The count direction of the GPT1 timers (core timer and auxiliary timers) can be controlled either by software or by the external input pin TxEUD (Timer Tx External Up/Down Control Input). These options are selected by bits TxUD and TxUDE in the respective control register TxCON. When the up/down control is provided by software (bit TxUDE = 0), the count direction can be altered by setting or clearing bit TxUD. When bit TxUDE = 1, pin TxEUD is selected to be the controlling source of the count direction. However, bit TxUD can still be used to reverse the actual count direction, as shown in [Table 75](#). The count direction can be changed regardless of whether or not the timer is running.

Note: When pin TxEUD is used as external count direction control input, it must be configured as input.

Timer T3 Output Toggle Latch

The overflow/underflow signal of timer T3 is connected to a block named 'Toggle Latch', shown in the Timer Mode diagrams. **Figure 65** illustrates the details of this block. An overflow or underflow of T3 will clock two latches: The first latch represents bit T3OTL in control register T3CON. The second latch is an internal latch toggled by T3OTL's output. Both latch outputs are connected to the input control blocks of the auxiliary timers T2 and T4. The output level of the shadow latch will match the output level of T3OTL, but is delayed by one clock cycle. When the T3OTL value changes, this will result in a temporarily different output level from T3OTL and the shadow latch, which can trigger the selected count event in T2 and/or T4.

When software writes to T3OTL, both latches are set or cleared simultaneously. In this case, both signals to the auxiliary timers carry the same level and no edge will be detected. Bit T3OE (overflow/underflow output enable) in register T3CON enables the state of T3OTL to be monitored via an external pin T3OUT. When T3OTL is linked to an external port pin (must be configured as output), T3OUT can be used to control external HW. If T3OE = 1, pin T3OUT outputs the state of T3OTL. If T3OE = 0, pin T3OUT outputs a high level (as long as the T3OUT alternate function is selected for the port pin).

The trigger signals can serve as an input for the counter function or as a trigger source for the reload function of the auxiliary timers T2 and T4.

As can be seen from **Figure 65**, when latch T3OTL is modified by software to determine the state of the output line, also the internal shadow latch is set or cleared accordingly. Therefore, no trigger condition is detected by T2/T4 in this case.

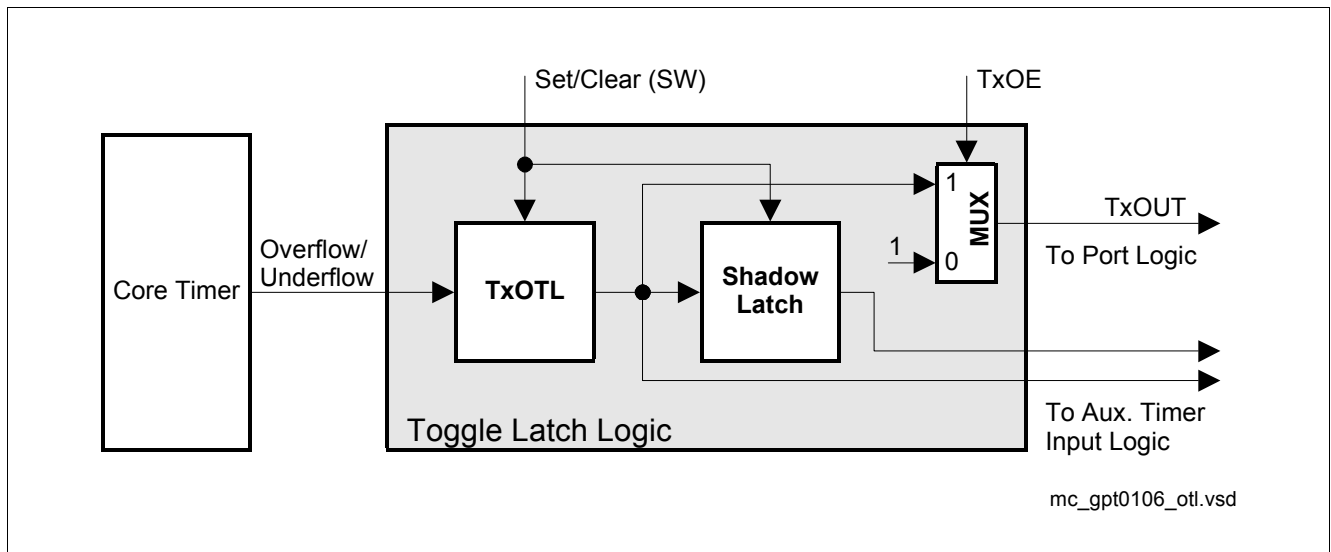


Figure 65 Block Diagram of the Toggle Latch Logic of Core Timer T3 (x = 3)

15.3.2 GPT1 Core Timer T3 Operating Modes

Timer T3 can operate in one of several modes.

Timer T3 in Timer Mode

Timer mode for the core timer T3 is selected by setting bitfield T3M in register T3CON to 000_B. In Timer Mode, T3 is clocked with the module's input clock f_{GPT} divided by two programmable prescalers controlled by bitfields BPS1 and T3I in register T3CON. Please see [Section 15.3.5](#) for details on the input clock options.

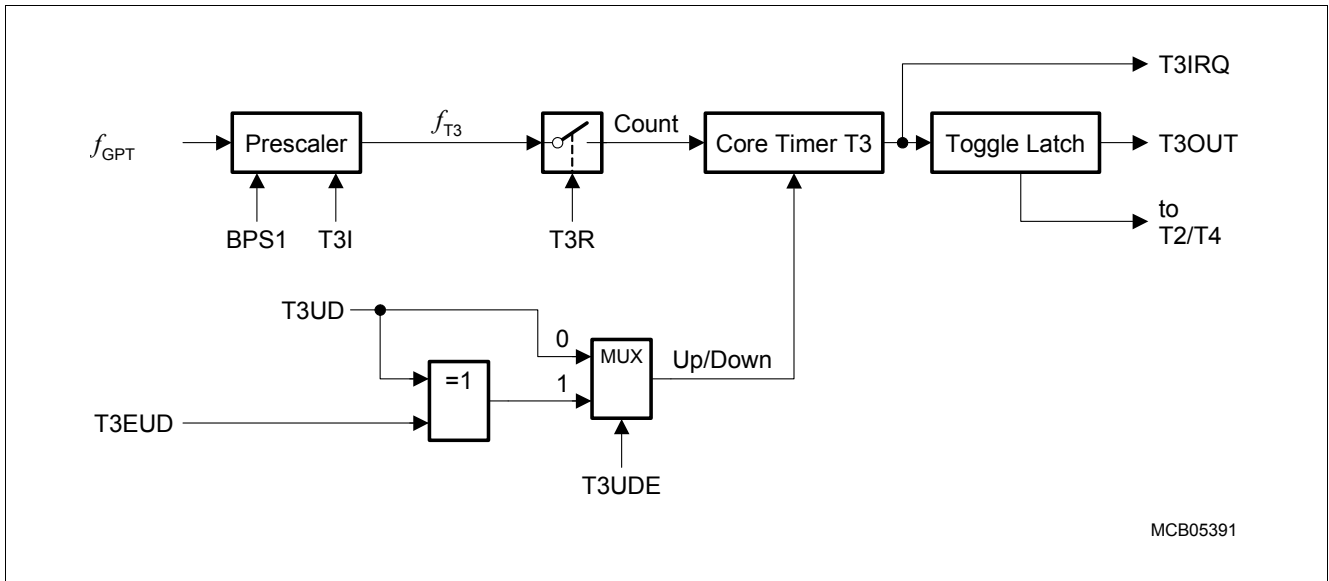


Figure 66 Block Diagram of Core Timer T3 in Timer Mode

Timer T3 in Gated Timer Mode

Gated Timer Mode for the core timer T3 is selected by setting bitfield T3M in register T3CON to 010_B or 011_B. Bit T3M.0 (T3CON.3) selects the active level of the gate input. The same options for the input frequency are available in Gated Timer Mode as in Timer Mode (see [Section 15.3.5](#)). However, the input clock to the timer in this mode is gated by the external input pin T3IN (Timer T3 External Input).

To enable this operation, the associated pin T3IN must be configured as input.

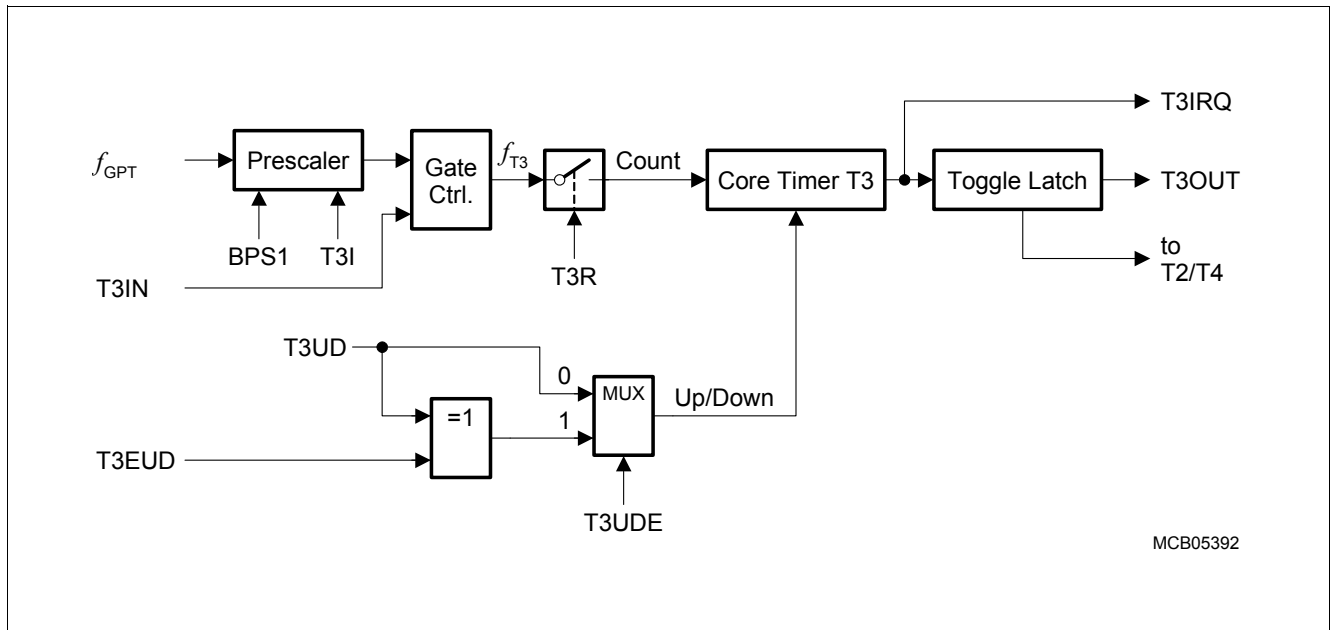


Figure 67 Block Diagram of Core Timer T3 in Gated Timer Mode

If T3M = 010_B, the timer is enabled when T3IN shows a low level. A high level at this line stops the timer. If T3M = 011_B, line T3IN must have a high level in order to enable the timer. Additionally, the timer can be turned on or off by software using bit T3R. The timer will only run if T3R is 1 and the gate is active. It will stop if either T3R is 0 or the gate is inactive.

Note: A transition of the gate signal at pin T3IN does not cause an interrupt request.

Timer T3 in Counter Mode

Counter Mode for the core timer T3 is selected by setting bitfield T3M in register T3CON to 001_B. In Counter Mode, timer T3 is clocked by a transition at the external input pin T3IN. The event causing an increment or decrement of the timer can be a positive, a negative, or both a positive and a negative transition at this line. Bitfield T3I in control register T3CON selects the triggering transition (see [Table 77](#)).

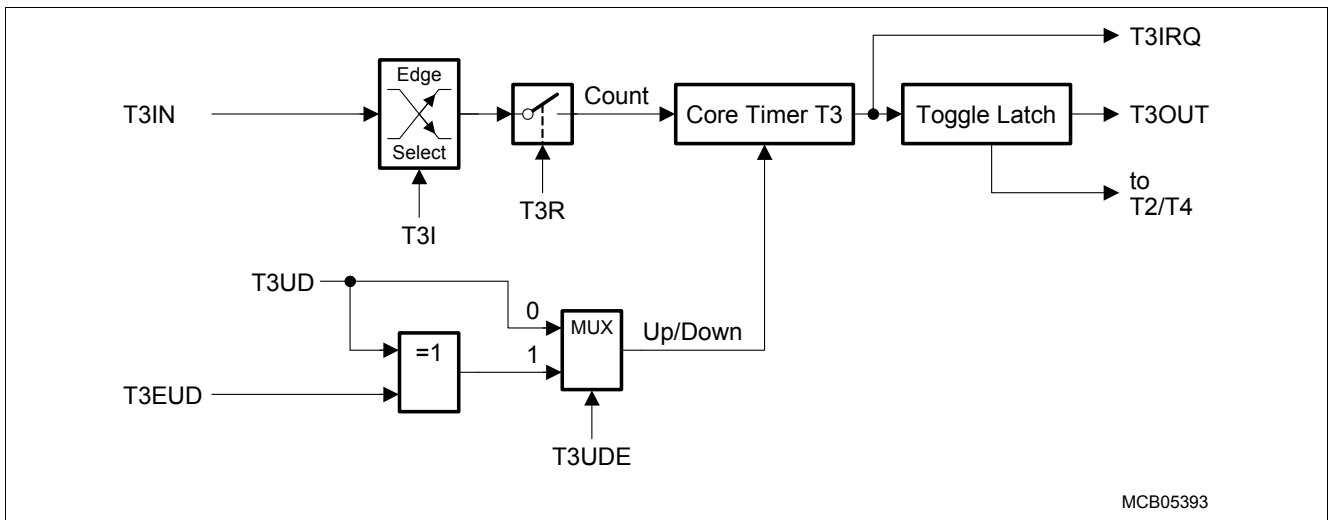


Figure 68 Block Diagram of Core Timer T3 in Counter Mode

For Counter Mode operation, pin T3IN must be configured as input. The maximum input frequency allowed in Counter Mode depends on the selected prescaler value. To ensure that a transition of the count input signal applied to T3IN is recognized correctly, its level must be held high or low for a minimum number of module clock cycles before it changes. This information can be found in [Section 15.3.5](#).

Timer T3 in Incremental Interface Mode

Incremental interface mode for the core timer T3 is selected by setting bitfield T3M in register T3CON to 110_B or 111_B. In Incremental Interface Mode, the two inputs associated with core timer T3 (T3IN, T3EUD) are used to interface to an incremental encoder. T3 is clocked by each transition on one or both of the external input pins to provide 2-fold or 4-fold resolution of the encoder input.

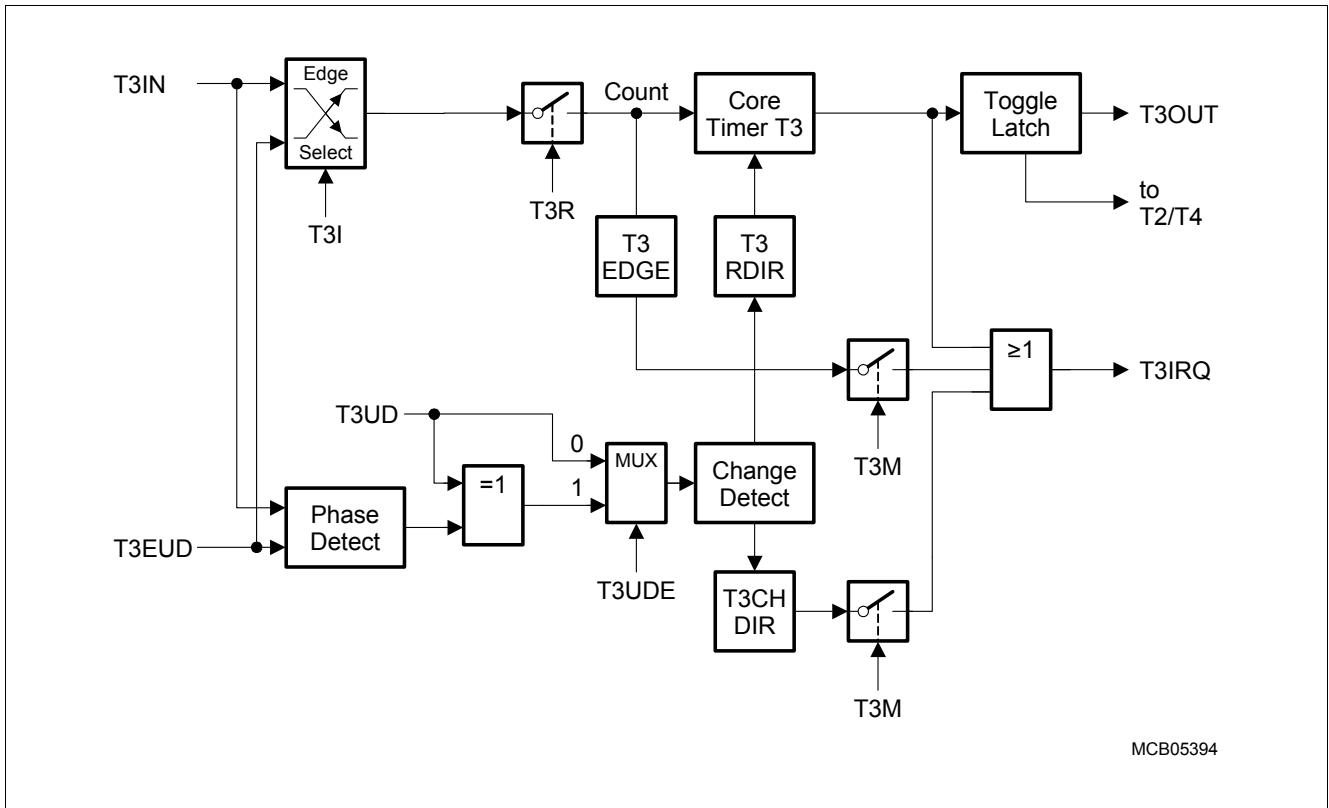


Figure 69 Block Diagram of Core Timer T3 in Incremental Interface Mode

Bitfield T3I in control register T3CON selects the triggering transitions (see Table 80). The sequence of the transitions of the two input signals is evaluated and generates count pulses as well as the direction signal. So T3 is modified automatically according to the speed and the direction of the incremental encoder and, therefore, its contents always represent the encoder’s current position.

The interrupt request (T3IRQ) generation mode can be selected: In Rotation Detection Mode (T3M = 110_B), an interrupt request is generated each time the count direction of T3 changes. In Edge Detection Mode (T3M = 111_B), an interrupt request is generated each time a count edge for T3 is detected. Count direction, changes in the count direction, and count requests are monitored by status bits T3RDIR, T3CHDIR, and T3EDGE in register T3CON.

The incremental encoder can be connected directly to the TLE9868QXB20 without external interface logic. In a standard system, however, comparators will be employed to convert the encoder’s differential outputs (such as A, \bar{A}) to digital signals (such as A). This greatly increases noise immunity.

Note: The third encoder output T0, which indicates the mechanical zero position, may be connected to an external interrupt input and trigger a reset of timer T3.

If input T4IN is available, T0 can be connected there and clear T3 automatically without requiring an interrupt.

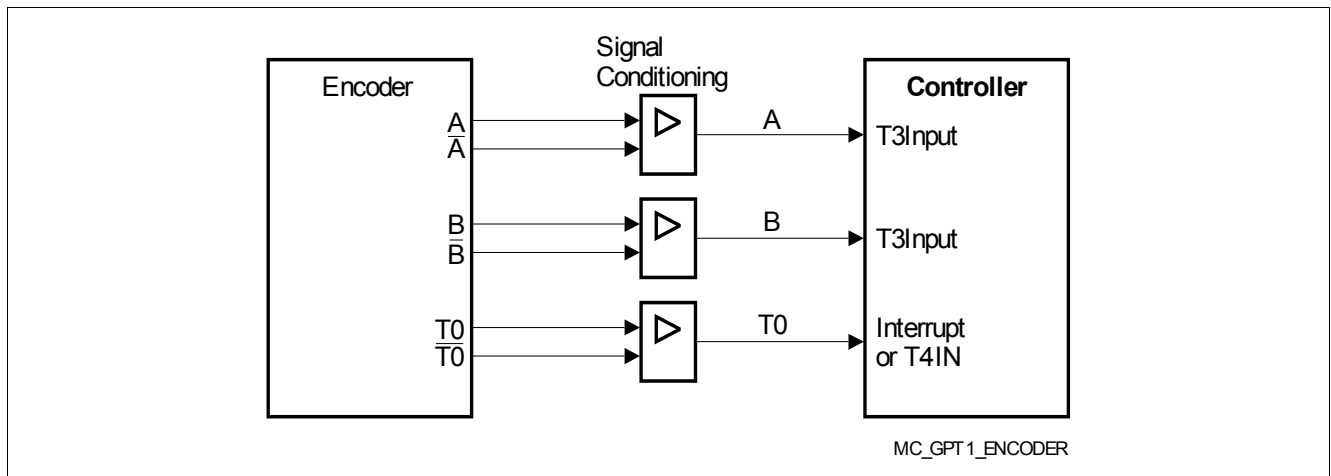


Figure 70 Connection of the Encoder to the TLE9868QXB20

For incremental interface operation, the following conditions must be met:

- Bitfield T3M must be 110_B or 111_B .
- Both pins T3IN and T3EUD must be configured as input.
- Pin T4IN must be configured as input, if used for T0.
- Bit T3UDE must be 1 to enable automatic external direction control.

The maximum count frequency allowed in Incremental Interface Mode depends on the selected prescaler value. To ensure that a transition of any input signal is recognized correctly, its level must be held high or low for a minimum number of module clock cycles before it changes. This information can be found in [Section 15.3.5](#).

As in Incremental Interface Mode two input signals with a 90° phase shift are evaluated, their maximum input frequency can be half the maximum count frequency.

In Incremental Interface Mode, the count direction is automatically derived from the sequence in which the input signals change, which corresponds to the rotation direction of the connected sensor. [Table 71](#) summarizes the possible combinations.

Table 71 GPT1 Core Timer T3 (Incremental Interface Mode) Count Direction

Level on Respective other Input	T3IN Input		T3EUD Input	
	Rising \uparrow	Falling \downarrow	Rising \uparrow	Falling \downarrow
High	Down	Up	Up	Down
Low	Up	Down	Down	Up

[Figure 71](#) and [Figure 72](#) give examples of T3's operation, visualizing count signal generation and direction control. They also show how input jitter is compensated, which might occur if the sensor rests near to one of its switching points.

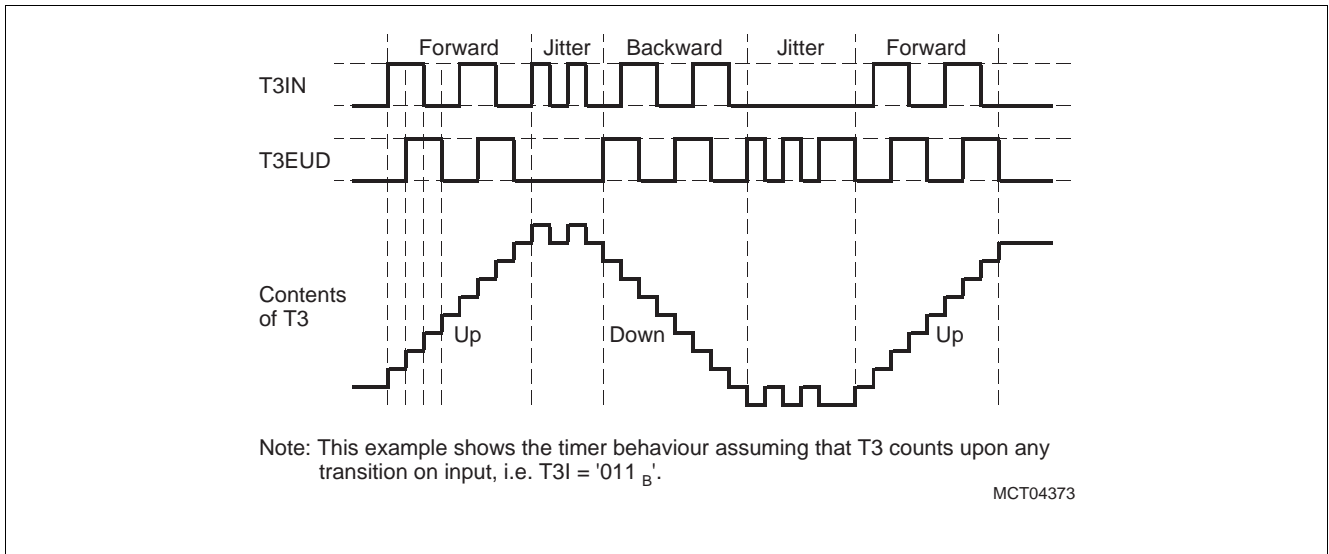


Figure 71 Evaluation of Incremental Encoder Signals, 2 Count Inputs

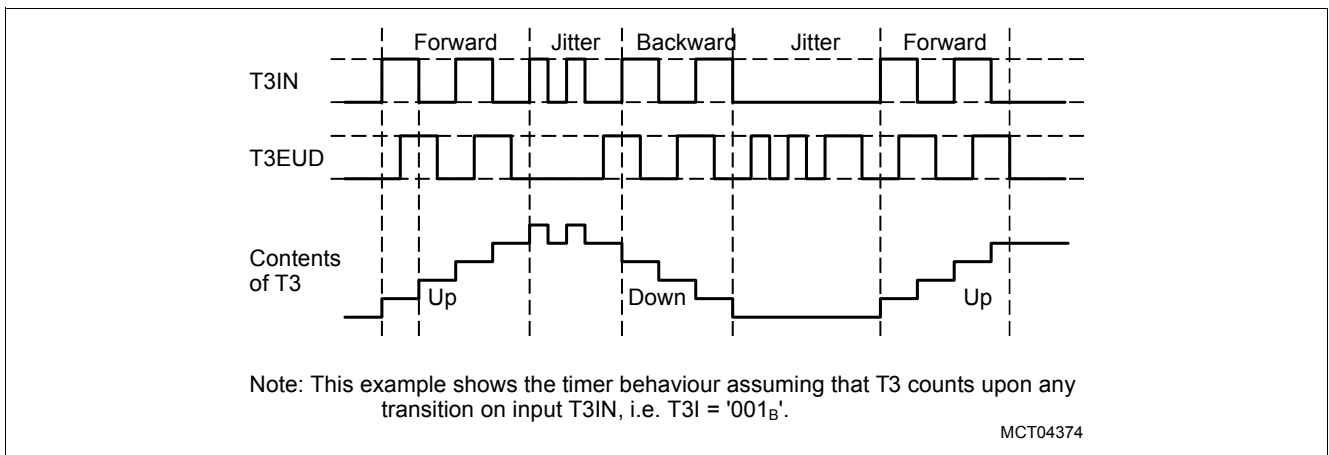


Figure 72 Evaluation of Incremental Encoder Signals, 1 Count Input

Note: Timer T3 operating in Incremental Interface Mode automatically provides information on the sensor's current position. Dynamic information (speed, acceleration, deceleration) may be obtained by measuring the incoming signal periods (see ["Combined Capture Modes" on Page 375](#)).

15.3.3 GPT1 Auxiliary Timers T2/T4 Control

Auxiliary timers T2 and T4 have exactly the same functionality. They can be configured for Timer Mode, Gated Timer Mode, Counter Mode, or Incremental Interface Mode with the same options for the timer frequencies and the count signal as the core timer T3. In addition to these 4 counting modes, the auxiliary timers can be concatenated with the core timer, or they may be used as reload or capture registers in conjunction with the core timer. The start/stop function of the auxiliary timers can be remotely controlled by the T3 run control bit. Several timers may thus be controlled synchronously.

The current contents of an auxiliary timer are reflected by its count register T2 or T4, respectively. These registers can also be written to by the CPU, for example, to set the initial start value.

The individual configurations for timers T2 and T4 are determined by their control registers T2CON and T4CON, which are organized identically. Note that functions which are present in all 3 timers of block GPT1 are controlled in the same bit positions and in the same manner in each of the specific control registers.

Note: The auxiliary timers have no output toggle latch and no alternate output function.

Timer T2/T4 Run Control

Each of the auxiliary timers T2 and T4 can be started or stopped by software in two different ways:

- Through the associated timer run bit (T2R or T4R). In this case it is required that the respective control bit $TxRC = 0$.
- Through the core timer's run bit (T3R). In this case the respective remote control bit must be set ($TxRC = 1$).

The selected run bit is relevant in all operating modes of T2/T4. Setting the bit will start the timer, clearing the bit stops the timer.

In Gated Timer Mode, the timer will only run if the selected run bit is set and the gate is active (high or low, as programmed).

Note: If remote control is selected T3R will start/stop timer T3 and the selected auxiliary timer(s) synchronously.

Count Direction Control

The count direction of the GPT1 timers (core timer and auxiliary timers) is controlled in the same way, either by software or by the external input pin TxEUD. Please refer to the description in [Table 75](#).

Note: When pin TxEUD is used as external count direction control input, it must be configured as input.

15.3.4 GPT1 Auxiliary Timers T2/T4 Operating Modes

The operation of the auxiliary timers in the basic operating modes is almost identical with the core timer's operation, with very few exceptions. Additionally, some combined operating modes can be selected.

Timers T2 and T4 in Timer Mode

Timer mode for an auxiliary timer Tx is selected by setting its bitfield TxM in register TxCON to 000_B.

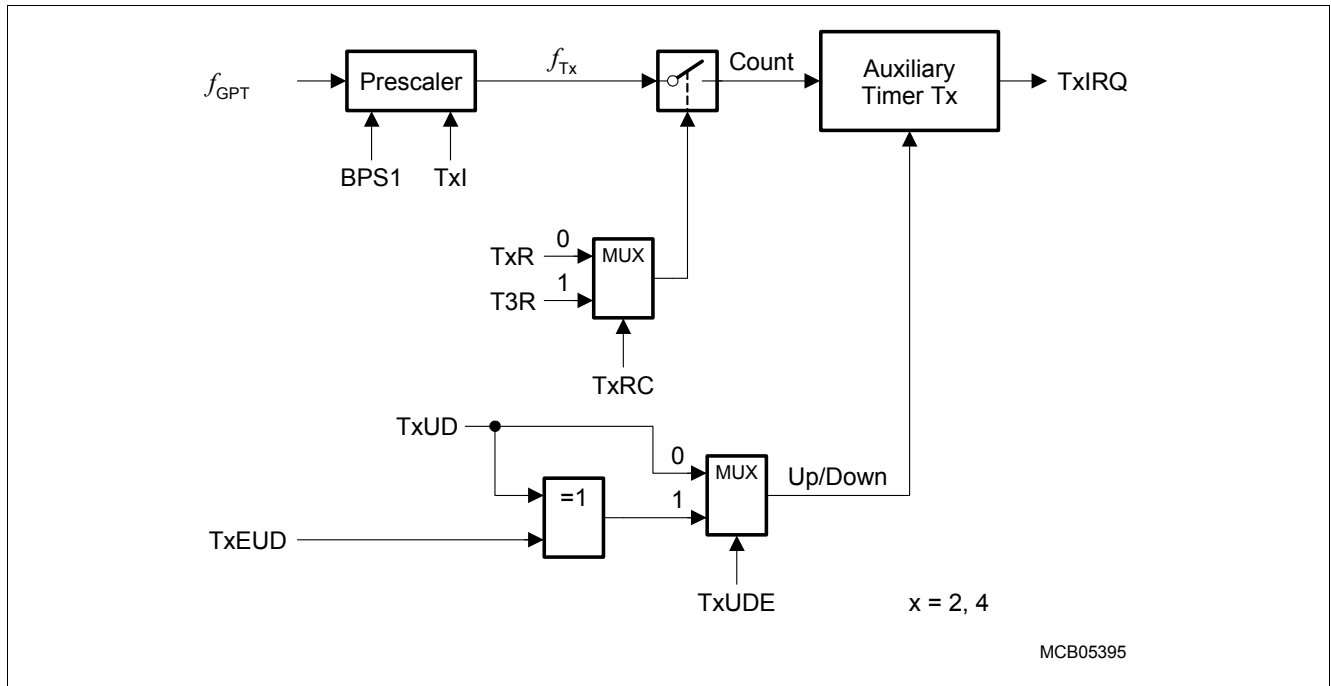


Figure 73 Block Diagram of an Auxiliary Timer in Timer Mode

Timers T2 and T4 in Gated Timer Mode

Gated Timer Mode for an auxiliary timer Tx is selected by setting bitfield TxM in register TxCON to 010_B or 011_B. Bit TxM.0 (TxCON.3) selects the active level of the gate input.

Note: A transition of the gate signal at line TxIN does not cause an interrupt request.

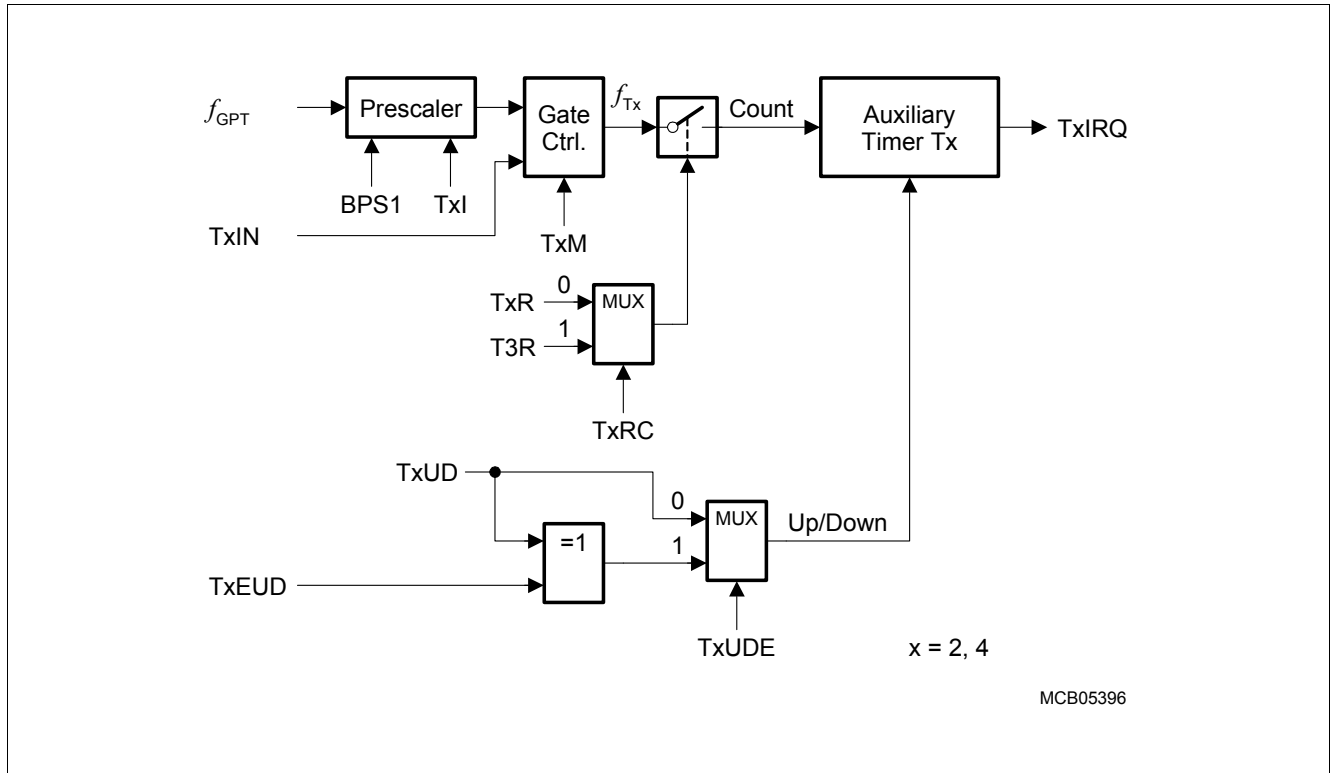


Figure 74 Block Diagram of an Auxiliary Timer in Gated Timer Mode

Note: There is no output toggle latch for T2 and T4.

Start/stop of an auxiliary timer can be controlled locally or remotely.

Timers T2 and T4 in Counter Mode

Counter Mode for an auxiliary timer Tx is selected by setting bitfield TxM in register TxCON to 001_B. In Counter Mode, an auxiliary timer can be clocked either by a transition at its external input line TxIN, or by a transition of timer T3's toggle latch T3OTL. The event causing an increment or decrement of a timer can be a positive, a negative, or both a positive and a negative transition at either the respective input pin or at the toggle latch. Bitfield TxI in control register TxCON selects the triggering transition (see [Table 79](#)).

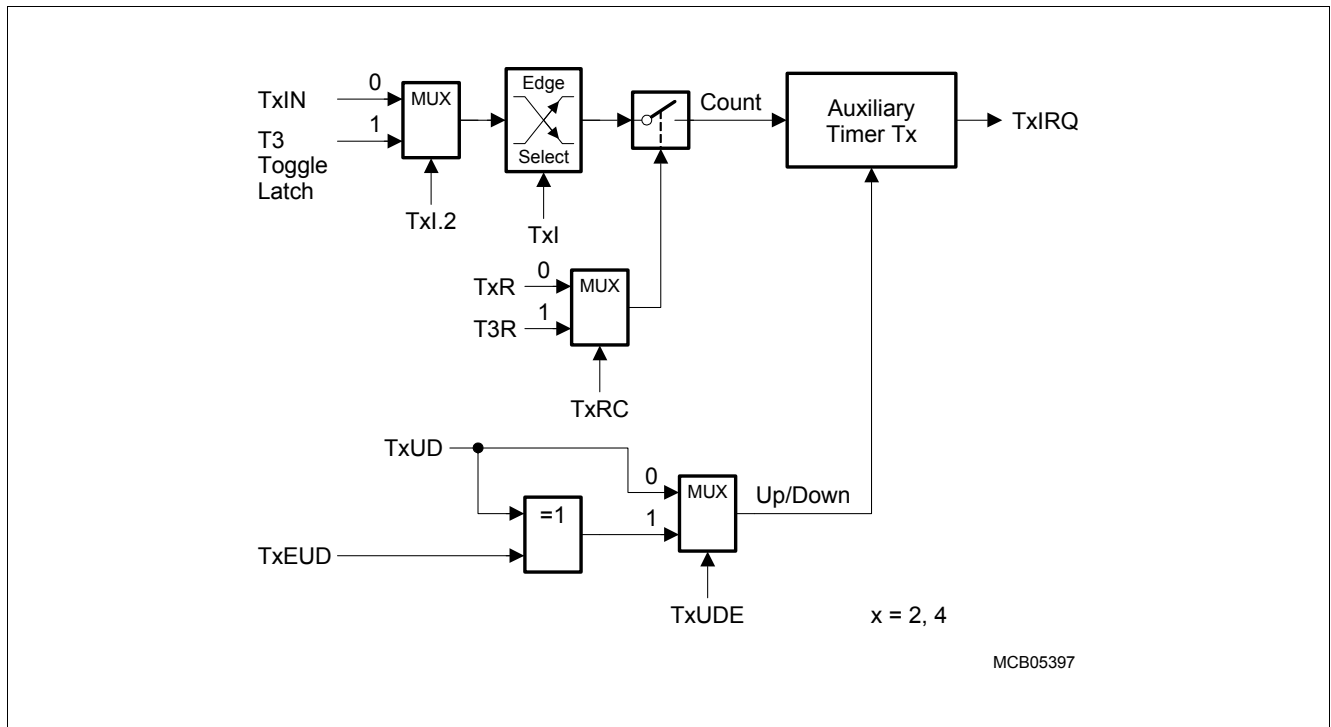


Figure 75 Block Diagram of an Auxiliary Timer in Counter Mode

Note: Only state transitions of T3OTL which are caused by the overflows/underflows of T3 will trigger the counter function of T2/T4. Modifications of T3OTL via software will NOT trigger the counter function of T2/T4.

For counter operation, pin TxIN must be configured as input. The maximum input frequency allowed in Counter Mode depends on the selected prescaler value. To ensure that a transition of the count input signal applied to TxIN is recognized correctly, its level must be held high or low for a minimum number of module clock cycles before it changes. This information can be found in [Section 15.3.5](#).

Timer Concatenation

Using the toggle bit T3OTL as a clock source for an auxiliary timer in Counter Mode concatenates the core timer T3 with the respective auxiliary timer. This concatenation forms either a 32-bit or a 33-bit timer/counter, depending on which transition of T3OTL is selected to clock the auxiliary timer.

- **32-bit Timer/Counter:** If both a positive and a negative transition of T3OTL are used to clock the auxiliary timer, this timer is clocked on every overflow/underflow of the core timer T3. Thus, the two timers form a 32-bit timer.
- **33-bit Timer/Counter:** If either a positive or a negative transition of T3OTL is selected to clock the auxiliary timer, this timer is clocked on every second overflow/underflow of the core timer T3. This configuration forms a 33-bit timer (16-bit core timer + T3OTL + 16-bit auxiliary timer).
As long as bit T3OTL is not modified by software, it represents the state of the internal toggle latch, and can be regarded as part of the 33-bit timer.

The count directions of the two concatenated timers are not required to be the same. This offers a wide variety of different configurations.

T3, which represents the low-order part of the concatenated timer, can operate in Timer Mode, Gated Timer Mode or Counter Mode in this case.

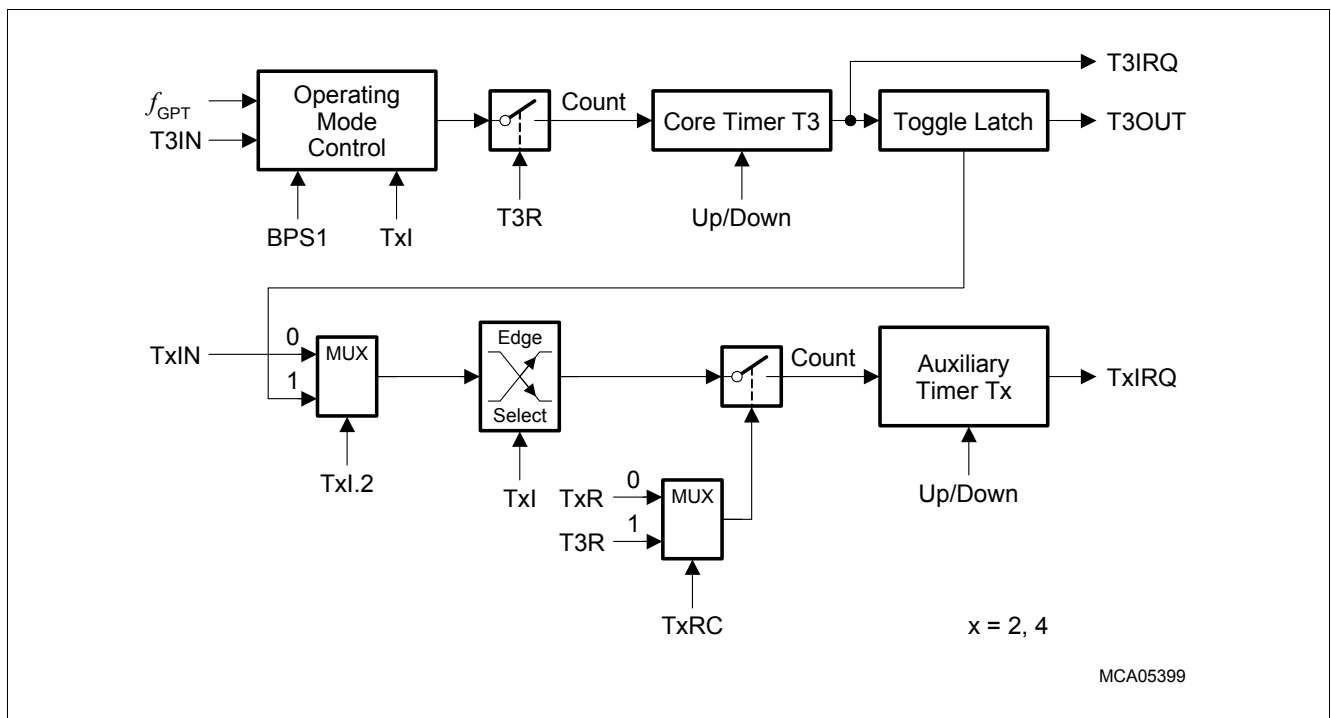


Figure 76 Concatenation of Core Timer T3 and an Auxiliary Timer

Timers T2 and T4 in Capture Mode

Capture mode for an auxiliary timer Tx is selected by setting bitfield TxM in the respective register TxCON to 101_B. In capture mode, the contents of the core timer T3 are latched into an auxiliary timer register in response to a signal transition at the respective auxiliary timer’s external input pin TxIN. The capture trigger signal can be a positive, a negative, or both a positive and a negative transition.

The two least significant bits of bitfield TxI select the active transition (see [Table 79](#)). Bit 2 of TxI is irrelevant for capture mode and must be cleared (TxI.2 = 0).

Note: When programmed for capture mode, the respective auxiliary timer (T2 or T4) stops independently of its run flag T2R or T4R.

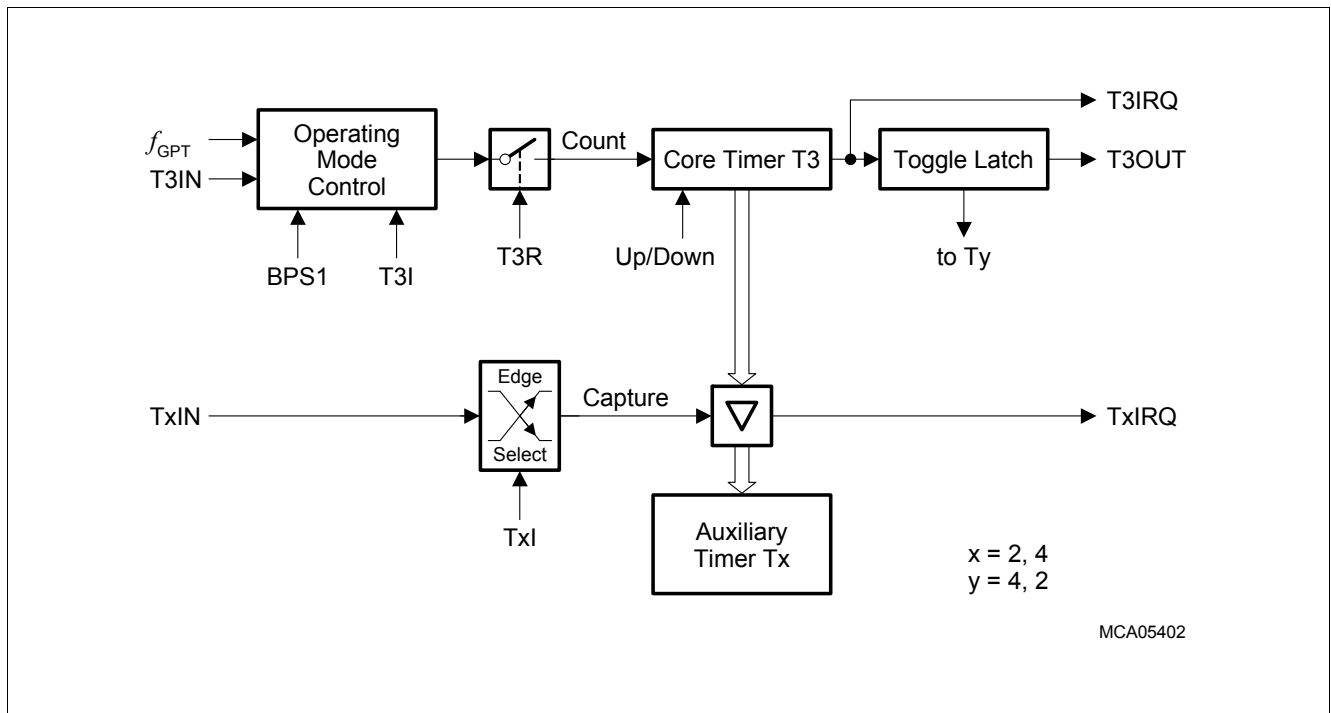


Figure 77 GPT1 Auxiliary Timer in Capture Mode

Upon a trigger (selected transition) at the corresponding input pin TxIN the contents of the core timer are loaded into the auxiliary timer register and the associated interrupt request flag TxIR will be set.

For capture mode operation, the respective timer input pin TxIN must be configured as input. To ensure that a transition of the capture input signal applied to TxIN is recognized correctly, its level must be held high or low for a minimum number of module clock cycles, detailed in [Section 15.3.5](#).

Timers T2 and T4 in Incremental Interface Mode

Incremental interface mode for an auxiliary timer Tx is selected by setting bitfield TxM in the respective register TxCON to 110_B or 111_B. In Incremental Interface Mode, the two inputs associated with an auxiliary timer Tx (TxIN, TxEUD) are used to interface to an incremental encoder. Tx is clocked by each transition on one or both of the external input pins to provide 2-fold or 4-fold resolution of the encoder input.

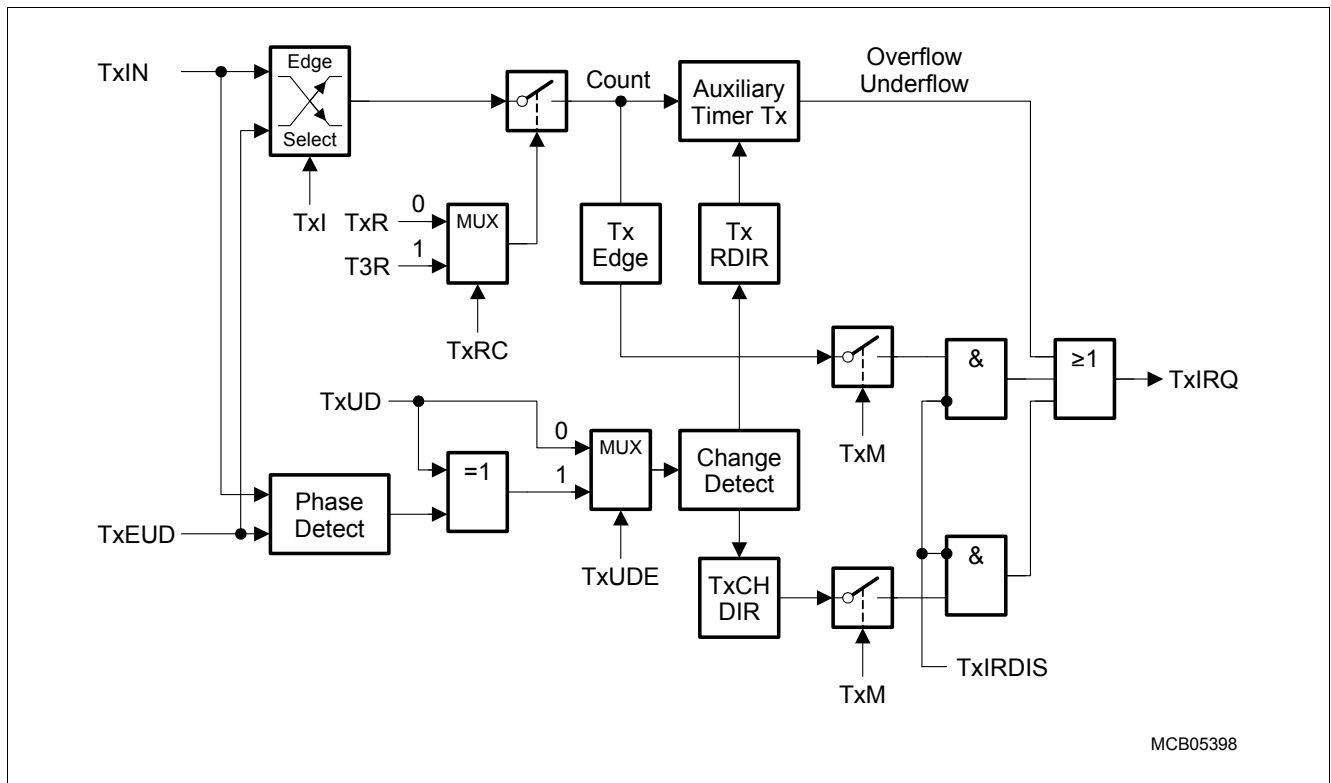


Figure 78 Block Diagram of an Auxiliary Timer in Incremental Interface Mode

The operation of the auxiliary timers T2 and T4 in Incremental Interface Mode and the interrupt generation are the same as described for the core timer T3. The descriptions, figures and tables apply accordingly.

*Note: Timers T2 and T4 operating in Incremental Interface Mode automatically provide information on the sensor's current position. For dynamic information (speed, acceleration, deceleration) see **“Combined Capture Modes” on Page 375**).*

Timers T2 and T4 in Reload Mode

Reload Mode for an auxiliary timer Tx is selected by setting bitfield TxM in the respective register TxCON to 100_B. In reload mode, the core timer T3 is reloaded with the contents of an auxiliary timer register, triggered by one of two different signals. The trigger signal is selected the same way as the clock source for Counter Mode (see [Table 79](#)), i.e. a transition of the auxiliary timer’s input TxIN or the toggle latch T3OTL may trigger the reload.

Note: When programmed for reload mode, the respective auxiliary timer (T2 or T4) stops independently of its run flag T2R or T4R.

The timer input pin TxIN must be configured as input if it shall trigger a reload operation.

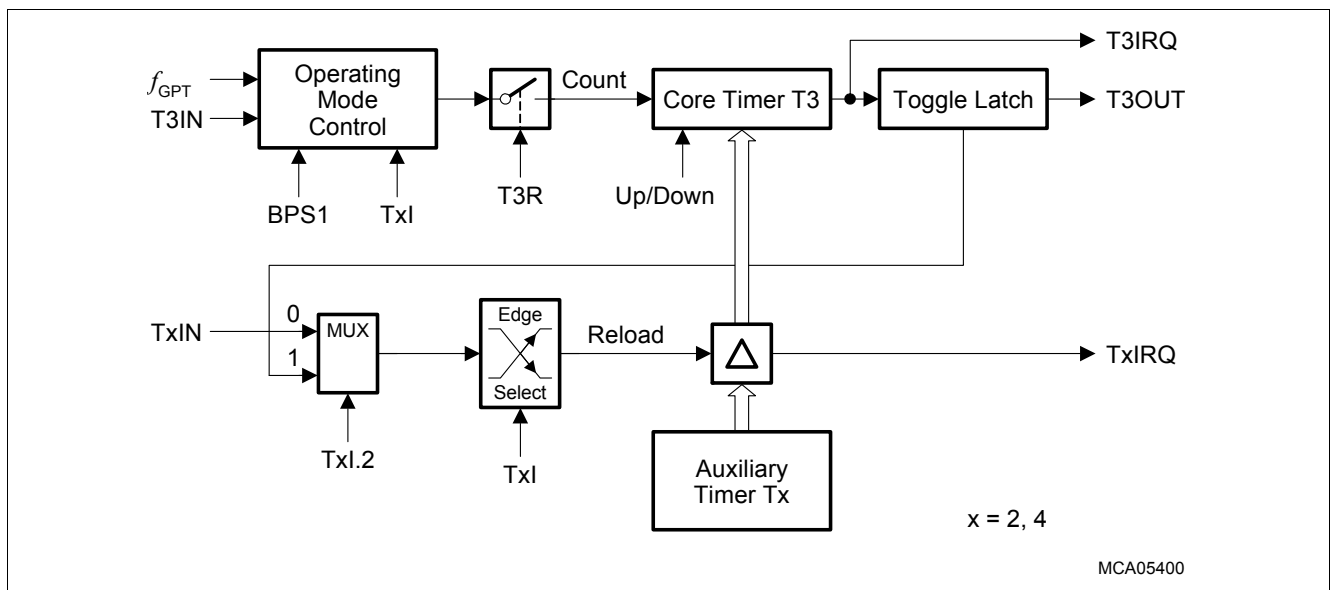


Figure 79 GPT1 Auxiliary Timer in Reload Mode

Upon a trigger signal, T3 is loaded with the contents of the respective timer register (T2 or T4) and the respective interrupt request flag (T2IR or T4IR) is set.

Note: When a T3OTL transition is selected for the trigger signal, the interrupt request flag T3IR will also be set upon a trigger, indicating T3’s overflow or underflow. Modifications of T3OTL via software will NOT trigger the counter function of T2/T4.

To ensure that a transition of the reload input signal applied to TxIN is recognized correctly, its level must be held high or low for a minimum number of module clock cycles, detailed in [Section 15.3.5](#).

The reload mode triggered by the T3 toggle latch can be used in a number of different configurations. The following functions can be performed, depending on the selected active transition:

- If both a positive and a negative transition of T3OTL are selected to trigger a reload, the core timer will be reloaded with the contents of the auxiliary timer each time it overflows or underflows. This is the standard reload mode (reload on overflow/underflow).
- If either a positive or a negative transition of T3OTL is selected to trigger a reload, the core timer will be reloaded with the contents of the auxiliary timer on every second overflow or underflow.
- Using this “single-transition” mode for both auxiliary timers allows to perform very flexible Pulse Width Modulation (PWM). One of the auxiliary timers is programmed to reload the core timer on a positive transition of T3OTL, the other is programmed for a reload on a negative transition of T3OTL. With this combination the core timer is alternately reloaded from the two auxiliary timers.

[Figure 80](#) shows an example for the generation of a PWM signal using the “single-transition” reload mechanism. T2 defines the high time of the PWM signal (reloaded on positive transitions) and T4 defines the low time of the PWM signal (reloaded on negative transitions). The PWM signal can be output on pin T3OUT if T3OE = 1. With this method, the high and low time of the PWM signal can be varied in a wide range.

Note: The output toggle latch T3OTL is accessible via software and may be changed, if required, to modify the PWM signal.
 However, this will NOT trigger the reloading of T3.

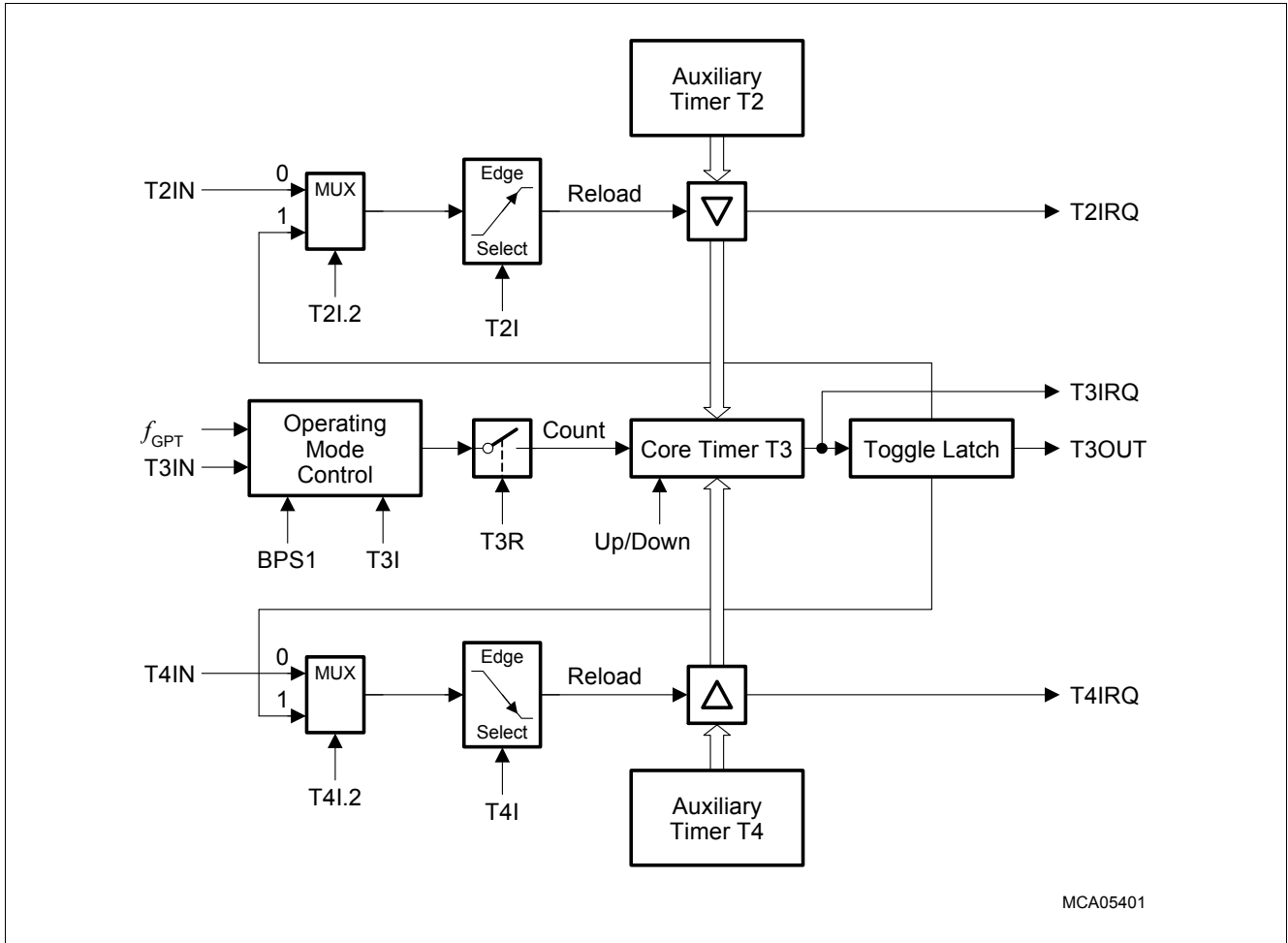


Figure 80 GPT1 Timer Reload Configuration for PWM Generation

Note: Although possible, selecting the same reload trigger event for both auxiliary timers should be avoided. In such a case, both reload registers would try to load the core timer at the same time. If this combination is selected, T2 is disregarded and the contents of T4 is reloaded.

15.3.5 GPT1 Clock Signal Control

All actions within the timer block GPT1 are triggered by transitions of its basic clock. This basic clock is derived from the system clock by a basic block prescaler, controlled by bitfield BPS1 in register T3CON (see [Figure 62](#)). The count clock can be generated in two different ways:

- **Internal count clock**, derived from GPT1’s basic clock via a programmable prescaler, is used for (gated) Timer Mode.
- **External count clock**, derived from the timer’s input pin(s), is used for Counter Mode.

For both ways, the basic clock determines the maximum count frequency and the timer’s resolution:

Table 72 Basic Clock Selection for Block GPT1

Block Prescaler ¹⁾	BPS1 = 01 _B	BPS1 = 00 _B ²⁾	BPS1 = 11 _B	BPS1 = 10 _B
Prescaling Factor for GPT1: F(BPS1)	F(BPS1) = 4	F(BPS1) = 8	F(BPS1) = 16	F(BPS1) = 32
Maximum External Count Frequency	$f_{GPT}/8$	$f_{GPT}/16$	$f_{GPT}/32$	$f_{GPT}/64$
Input Signal Stable Time	$4 \times t_{GPT}$	$8 \times t_{GPT}$	$16 \times t_{GPT}$	$32 \times t_{GPT}$

1) Please note the non-linear encoding of bitfield BPS1.

2) Default after reset.

Note: When initializing the GPT1 block, and the block prescaler BPS1 in register T3CON needs to be set to a value different from its reset value (00_B), it must be initialized first before any mode involving external trigger signals is configured. These modes include counter, incremental interface, capture, and reload mode. Otherwise, unintended count/capture/reload events may occur.

In this case (e.g. when changing BPS1 during operation of the GPT1 block), disable related interrupts before modification of BPS1, and afterwards clear the corresponding service request flags and re-initialize those registers (T2, T3, T4) that might be affected by a count/capture/reload event.

Internal Count Clock Generation

In Timer Mode and Gated Timer Mode, the count clock for each GPT1 timer is derived from the GPT1 basic clock by a programmable prescaler, controlled by bitfield TxI in the respective timer’s control register TxCON.

The count frequency f_{Tx} for a timer Tx and its resolution r_{Tx} are scaled linearly with lower clock frequencies, as can be seen from the following formula:

$$f_{Tx} = \frac{f_{GPT}}{F(BPS1) \times 2^{<TxI>}} \quad r_{Tx}[\mu s] = \frac{F(BPS1) \times 2^{<TxI>}}{f_{GPT}[\text{MHz}]} \quad (6)$$

The effective count frequency depends on the common module clock prescaler factor F(BPS1) as well as on the individual input prescaler factor $2^{<TxI>}$. [Table 76](#) summarizes the resulting overall divider factors for a GPT1 timer that result from these cascaded prescalers.

[Table 73](#) lists GPT1 timer’s parameters (such as count frequency, resolution, and period) resulting from the selected overall prescaler factor and the module clock f_{GPT} . Note that some numbers may be rounded.

Table 73 GPT1 Timer Parameters

Module Clock $f_{GPT} = 10\text{ MHz}$			Overall Prescaler Factor	Module Clock $f_{GPT} = 40\text{ MHz}$		
Frequency	Resolution	Period		Frequency	Resolution	Period
2.5 MHz	400 ns	26.21 ms	4	10.0 MHz	100 ns	6.55 ms
1.25 MHz	800 ns	52.43 ms	8	5.0 MHz	200 ns	13.11 ms
625.0 kHz	1.6 μs	104.9 ms	16	2.5 MHz	400 ns	26.21 ms
312.5 kHz	3.2 μs	209.7 ms	32	1.25 MHz	800 ns	52.43 ms
156.25 kHz	6.4 μs	419.4 ms	64	625.0 kHz	1.6 μs	104.9 ms
78.125 kHz	12.8 μs	838.9 ms	128	312.5 kHz	3.2 μs	209.7 ms
39.06 kHz	25.6 μs	1.678 s	256	156.25 kHz	6.4 μs	419.4 ms
19.53 kHz	51.2 μs	3.355 s	512	78.125 kHz	12.8 μs	838.9 ms
9.77 kHz	102.4 μs	6.711 s	1024	39.06 kHz	25.6 μs	1.678 s
4.88 kHz	204.8 μs	13.42 s	2048	19.53 kHz	51.2 μs	3.355 s
2.44 kHz	409.6 μs	26.84 s	4096	9.77 kHz	102.4 μs	6.711 s

External Count Clock Input

The external input signals of the GPT1 block are sampled with the GPT1 basic clock (see [Figure 62](#)). To ensure that a signal is recognized correctly, its current level (high or low) must be held active for at least one complete sampling period, before changing. A signal transition is recognized if two subsequent samples of the input signal represent different levels. Therefore, a minimum of two basic clock periods are required for the sampling of an external input signal. Thus, the maximum frequency of an input signal must not be higher than half the basic clock.

[Table 74](#) summarizes the resulting requirements for external GPT1 input signals.

Table 74 GPT1 External Input Signal Limits

GPT1 Basic Clock = 10 MHz		Input Freq. Factor	GPT1 Divider BPS1	Input Phase Duration	GPT1 Basic Clock = 40 MHz	
Max. Input Frequency	Min. Level Hold Time				Max. Input Frequency	Min. Level Hold Time
1.25 MHz	400 ns	$f_{GPT}/8$	01 _B	$4 \times t_{GPT}$	5.0 MHz	100 ns
625.0 kHz	800 ns	$f_{GPT}/16$	00 _B	$8 \times t_{GPT}$	2.5 MHz	200 ns
312.5 kHz	1.6 μs	$f_{GPT}/32$	11 _B	$16 \times t_{GPT}$	1.25 MHz	400 ns
156.25 kHz	3.2 μs	$f_{GPT}/64$	10 _B	$32 \times t_{GPT}$	625.0 kHz	800 ns

These limitations are valid for all external input signals to GPT1, including the external count signals in Counter Mode and Incremental Interface Mode, the gate input signals in Gated Timer Mode, and the external direction signals.

15.3.6 Interrupt Control for GPT1 Timers

When a timer overflows from $FFFF_H$ to 0000_H (when counting up), or when it underflows from 0000_H to $FFFF_H$ (when counting down), its interrupt request flag in register GPT12E_T2, GPT12E_T3, or GPT12E_T4 will be set. This will cause an interrupt to the respective timer interrupt vector, if the respective interrupt enable bit is set.

In **Reload Mode**, upon a trigger signal, T3 is loaded with the contents of the respective timer (T2 or T4) and the respective interrupt request flag in register GPT12E_T2 or GPT12E_T4 is set.

In **Incremental Interface Mode**, the interrupt request generation can be selected as follows:

- In Rotation Detection Mode ($T3M = 110_B$), an interrupt request is generated each time the count direction of T3 changes.
- In Edge Detection Mode ($T3M = 111_B$), an interrupt request is generated each time a count edge for T3 is detected.

In **Capture Mode**, upon a trigger (selected transition) at the corresponding input pin the content of the core timer T3 are loaded into the auxiliary timer register Tx and the associated interrupt request flag in register GPT12E_T2 or GPT12E_T4 will be set.

15.3.7 GPT1 Registers

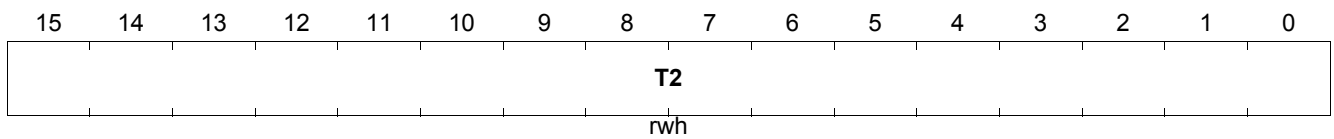
15.3.7.1 GPT1 Timer Registers

T2

Timer T2 Count Register

(20_H)

Reset Value: 0000_H



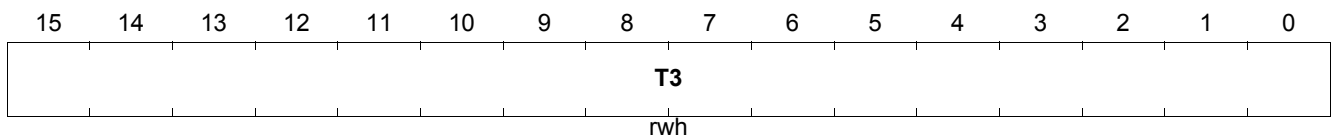
Field	Bits	Typ	Description
T2	[15:0]	rwh	Timer T2 Current Value Contains the current value of the timer T2

T3

Timer T3 Count Register

(24_H)

Reset Value: 0000_H



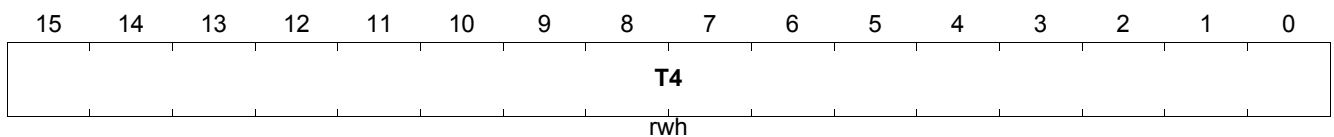
Field	Bits	Typ	Description
T3	[15:0]	rwh	Timer T3 Current Value Contains the current value of the timer T3

T4

Timer T4 Count Register

(28_H)

Reset Value: 0000_H



Field	Bits	Typ	Description
T4	[15:0]	rwh	Timer T4 Current Value Contains the current value of the timer T4

15.3.7.2 GPT1 Timer Control Registers

GPT1 Core Timer T3 Control Register

T3CON

Timer T3 Control Register

(0C_H)

Reset Value: 0000_H

15	14	13	12	11	10	9	8	7	6	5	4	3	2	1	0
T3 R DIR	T3 CH DIR	T3 EDGE	BPS1	T3 OTL	T3 OE	T3 UDE	T3 UD	T3 R	T3M			T3I			
rw	rwh	rwh	rw	rwh	rw	rw	rw	rw	rw	rw			rw		

Field	Bits	Type	Description
T3I	[2:0]	rw	Timer T3 Input Parameter Selection Depends on the operating mode, see respective sections for encoding: Table 76 for Timer Mode and Gated Timer Mode Table 77 for Counter Mode Table 80 for Incremental Interface Mode
T3M	[5:3]	rw	Timer T3 Mode Control 000 _B Timer Mode 001 _B Counter Mode 010 _B Gated Timer Mode with gate active low 011 _B Gated Timer Mode with gate active high 100 _B Reserved. Do not use this combination 101 _B Reserved. Do not use this combination 110 _B Incremental Interface Mode (Rotation Detection Mode) 111 _B Incremental Interface Mode (Edge Detection Mode)
T3R	6	rw	Timer T3 Run Bit 0 _B Timer T3 stops 1 _B Timer T3 runs
T3UD	7	rw	Timer T3 Up/Down Control¹⁾ 0 _B Timer T3 counts up 1 _B Timer T3 counts down <i>Note: This bit only controls count direction of T3 if bit T3UDE = 0.</i>
T3UDE	8	rw	Timer T3 External Up/Down Enable¹⁾ 0 _B Count direction is controlled by bit T3UD; input T3EUD is disconnected 1 _B Count direction is controlled by input T3EUD
T3OE	9	rw	Overflow/Underflow Output Enable 0 _B Alternate Output Function Disabled 1 _B State of T3 toggle latch is output on pin T3OUT
T3OTL	10	rwh	Timer T3 Overflow Toggle Latch Toggles on each overflow/underflow of T3. Can be set or cleared by software (see separate description)

General Purpose Timer Units (GPT12)

Field	Bits	Type	Description
BPS1	[12:11]	rw	GPT1 Block Prescaler Control Selects the basic clock for block GPT1 (see also Section 15.3.5) 00_B $f_{GPT}/8$ 01_B $f_{GPT}/4$ 10_B $f_{GPT}/32$ 11_B $f_{GPT}/16$
T3EDGE	13	rwh	Timer T3 Edge Detection Flag The bit is set each time a count edge is detected. T3EDGE must be cleared by software. 0_B No count edge was detected 1_B A count edge was detected
T3CHDIR	14	rwh	Timer T3 Count Direction Change Flag This bit is set each time the count direction of timer T3 changes. T3CHDIR must be cleared by software. 0_B No change of count direction was detected 1_B A change of count direction was detected
T3RDIR	15	rh	Timer T3 Rotation Direction Flag 0_B Timer T3 counts up 1_B Timer T3 counts down

1) See [Table 85](#) for encoding of bits T3UD and T3UDE.

GPT1 Auxiliary Timers T2/T4 Control Registers

T2CON

Timer T2 Control Register

(08_H)

Reset Value: 0000_H

15	14	13	12	11	10	9	8	7	6	5	4	3	2	1	0
T2R DIR	T2CH DIR	T2EDGE	T2IR DIS	Res		T2RC	T2UDE	T2UD	T2R	T2M			T2I		
rh	rwh	rwh	rw	r		rw	rw	rw	rw		rw			rw	

Field	Bits	Type	Description
T2I	[2:0]	rw	Timer T2 Input Parameter Selection Depends on the operating mode, see respective sections for encoding: Table 76 for Timer Mode and Gated Timer Mode Table 79 for Counter Mode Table 80 for Incremental Interface Mode Table 79 for Reload Mode Table 78 for Capture Mode
T2M	[5:3]	rw	Timer T2 Mode Control (Basic Operating Mode) 000 _B Timer Mode 001 _B Counter Mode 010 _B Gated Timer Mode with gate active low 011 _B Gated Timer Mode with gate active high 100 _B Reload Mode 101 _B Capture Mode 110 _B Incremental Interface Mode (Rotation Detection Mode) 111 _B Incremental Interface Mode (Edge Detection Mode)
T2R	6	rw	Timer T2 Run Bit 0 _B Timer T2 stops 1 _B Timer T2 runs <i>Note: This bit only controls timer T2 if bit T2RC = 0.</i>
T2UD	7	rw	Timer T2 Up/Down Control¹⁾ 0 _B Timer T2 counts up 1 _B Timer T2 counts down <i>Note: This bit only controls count direction of T2 if bit T2UDE = 0.</i>
T2UDE	8	rw	Timer T2 External Up/Down Enable¹⁾ 0 _B Count direction is controlled by bit T2UD; input T2EUD is disconnected 1 _B Count direction is controlled by input T2EUD
T2RC	9	rw	Timer T2 Remote Control 0 _B Timer T2 is controlled by its own run bit T2R 1 _B Timer T2 is controlled by the run bit T3R of core timer T3, not by bit T2R

General Purpose Timer Units (GPT12)

Field	Bits	Type	Description
T2IRDIS	12	rw	Timer T2 Interrupt Disable 0 _B Interrupt generation for T2CHDIR and T2EDGE interrupts in Incremental Interface Mode is enabled 1 _B Interrupt generation for T2CHDIR and T2EDGE interrupts in Incremental Interface Mode is disabled
T2EDGE	13	rwh	Timer T2 Edge Detection The bit is set each time a count edge is detected. T2EDGE must be cleared by software. 0 _B No count edge was detected 1 _B A count edge was detected
T2CHDIR	14	rwh	Timer T2 Count Direction Change The bit is set each time the count direction of timer T2 changes. T2CHDIR must be cleared by software. 0 _B No change in count direction was detected 1 _B A change in count direction was detected
T2RDIR	15	rh	Timer T2 Rotation Direction 0 _B Timer T2 counts up 1 _B Timer T2 counts down
Res	[11:10]	r	Reserved Read as 0; should be written with 0.

1) See [Table 85](#) for encoding of bits T2UD and T2UDE.

T4CON

Timer T4 Control Register

(10_H)

Reset Value: 0000_H

15	14	13	12	11	10	9	8	7	6	5	4	3	2	1	0
T4 R DIR	T4 CH DIR	T4 EDGE	T4 IR DIS	CLRT3 EN	CLRT2 EN	T4 RC	T4 UDE	T4 UD	T4 R	T4M			T4I		
rh	rwh	rwh	rw	rw	rw	rw	rw	rw	rw	rw			rw		

Field	Bits	Type	Description
T4I	[2:0]	rw	Timer T4 Input Parameter Selection Depends on the operating mode, see respective sections for encoding: Table 76 for Timer Mode and Gated Timer Mode Table 79 for Counter Mode Table 80 for Incremental Interface Mode Table 79 for Reload Mode Table 78 for Capture Mod

General Purpose Timer Units (GPT12)

Field	Bits	Type	Description
T4M	[5:3]	rw	Timer T4 Mode Control (Basic Operating Mode) 000 _B Timer Mode 001 _B Counter Mode 010 _B Gated Timer Mode with gate active low 011 _B Gated Timer Mode with gate active high 100 _B Reload Mode 101 _B Capture Mode 110 _B Incremental Interface Mode (Rotation Detection Mode) 111 _B Incremental Interface Mode (Edge Detection Mode)
T4R	6	rw	Timer T4 Run Bit 0 _B Timer T4 stops 1 _B Timer T4 runs <i>Note: This bit only controls timer T4 if bit T4RC = 0.</i>
T4UD	7	rw	Timer T4 Up/Down Control¹⁾ 0 _B Timer T4 counts up 1 _B Timer T4 counts down <i>Note: This bit only controls count direction of T4 if bit T4UDE = 0.</i>
T4UDE	8	rw	Timer T4 External Up/Down Enable¹⁾ 0 _B Count direction is controlled by bit T4UD; input T4EUD is disconnected 1 _B Count direction is controlled by input T4EUD
T4RC	9	rw	Timer T4 Remote Control 0 _B Timer T4 is controlled by its own run bit T4R 1 _B Timer T4 is controlled by the run bit T3R of core timer T3, but not by bit T4R
CLRT2EN	10	rw	Clear Timer T2 Enable Enables the automatic clearing of timer T2 upon a falling edge of the selected T4EUD input. 0 _B No effect of T4EUD on timer T2 1 _B A falling edge on T4EUD clears timer T2
CLRT3EN	11	rw	Clear Timer T3 Enable Enables the automatic clearing of timer T3 upon a falling edge of the selected T4IN input. 0 _B No effect of T4IN on timer T3 1 _B A falling edge on T4IN clears timer T3
T4IRDIS	12	rw	Timer T4 Interrupt Disable 0 _B Interrupt generation for T4CHDIR and T4EDGE interrupts in Incremental Interface Mode is enabled 1 _B Interrupt generation for T4CHDIR and T4EDGE interrupts in Incremental Interface Mode is disabled
T4EDGE	13	rwh	Timer T4 Edge Detection The bit is set each time a count edge is detected. T4EDGE has to be cleared by software. 0 _B No count edge was detected 1 _B A count edge was detected

General Purpose Timer Units (GPT12)

Field	Bits	Type	Description
T4CHDIR	14	rwh	<p>Timer T4 Count Direction Change</p> <p>The bit is set each time the count direction of timer T4 changes. T4CHDIR must be cleared by software.</p> <p>0_B No change in count direction was detected</p> <p>1_B A change in count direction was detected</p>
T4RDIR	15	rh	<p>Timer T4 Rotation Direction</p> <p>0_B Timer T4 counts up</p> <p>1_B Timer T4 counts down</p>

1) See [Table 85](#) for encoding of bits T4UD and T4UDE.

Encoding of GPT1 Timer Count Direction Control

Table 75 GPT1 Timer Count Direction Control

Pin TxEUD	Bit TxUDE	Bit TxUD	Count Direction	Bit TxRDIR
X	0	0	Count Up	0
X	0	1	Count Down	1
0	1	0	Count Up	0
1	1	0	Count Down	1
0	1	1	Count Down	1
1	1	1	Count Up	0

Timer Mode and Gated Timer Mode: Encoding of GPT1 Overall Prescaler Factor

Table 76 GPT1 Overall Prescaler Factors for Internal Count Clock (Timer Mode and Gated Timer Mode)

Individual Prescaler for Tx	Common Prescaler for Module Clock ¹⁾			
	BPS1 = 01 _B	BPS1 = 00 _B	BPS1 = 11 _B	BPS1 = 10 _B
Txl = 000 _B	4	8	16	32
Txl = 001 _B	8	16	32	64
Txl = 010 _B	16	32	64	128
Txl = 011 _B	32	64	128	256
Txl = 100 _B	64	128	256	512
Txl = 101 _B	128	256	512	1024
Txl = 110 _B	256	512	1024	2048
Txl = 111 _B	512	1024	2048	4096

1) Please note the non-linear encoding of bitfield BPS1.

Counter Mode: Encoding of GPT1 Input Edge Selection

Table 77 GPT1 Core Timer T3 Input Edge Selection (Counter Mode)

T3I	Triggering Edge for Counter Increment/Decrement
000 _B	None. Counter T3 is disabled
001 _B	Positive transition (rising edge) on T3IN
010 _B	Negative transition (falling edge) on T3IN
011 _B	Any transition (rising or falling edge) on T3IN
1XX _B	Reserved. Do not use this combination

Table 78 GPT1 Auxiliary Timers T2/T4 Input Edge Selection (Capture Mode)

T2I/T4I	Triggering Edge for Counter Increment/Decrement
000 _B	None. Counter Tx is disabled
001 _B	Positive transition (rising edge) on TxIN
010 _B	Negative transition (falling edge) on TxIN
011 _B	Any transition (rising or falling edge) on TxIN
1XX _B	Reserved. Do not use this combination

Table 79 GPT1 Auxiliary Timers T2/T4 Input Edge Selection (Counter Mode, Reload Mode)

T2I/T4I	Triggering Edge for Counter Increment/Decrement
X00 _B	None. Counter Tx is disabled
001 _B	Positive transition (rising edge) on TxIN
010 _B	Negative transition (falling edge) on TxIN
011 _B	Any transition (rising or falling edge) on TxIN
101 _B	Positive transition (rising edge) of T3 toggle latch T3OTL
110 _B	Negative transition (falling edge) of T3 toggle latch T3OTL
111 _B	Any transition (rising or falling edge) of T3 toggle latch T3OTL

Incremental Interface Mode: Encoding of Input Edge Selection

Table 80 GPT1 Core Timer T3 Input Edge Selection (Incremental Interface Mode)

T3I	Triggering Edge for Counter Increment/Decrement
000 _B	None. Counter T3 stops.
001 _B	Any transition (rising or falling edge) on T3IN.
010 _B	Any transition (rising or falling edge) on T3EUD.
011 _B	Any transition (rising or falling edge) on any T3 input (T3IN or T3EUD).
1XX _B	Reserved. Do not use this combination.

15.3.7.3 GPT1 Timer Interrupt Control Registers

The Interrupt Control and Status register are located in the SCU.[GPT12IEN](#) and SCU.[GPT12IRC](#).

15.4 Timer Block GPT2

From a programmer’s point of view, the GPT2 block is represented by a set of SFRs as summarized below. Those portions of port and direction registers which are used for alternate functions by the GPT2 block are shaded.

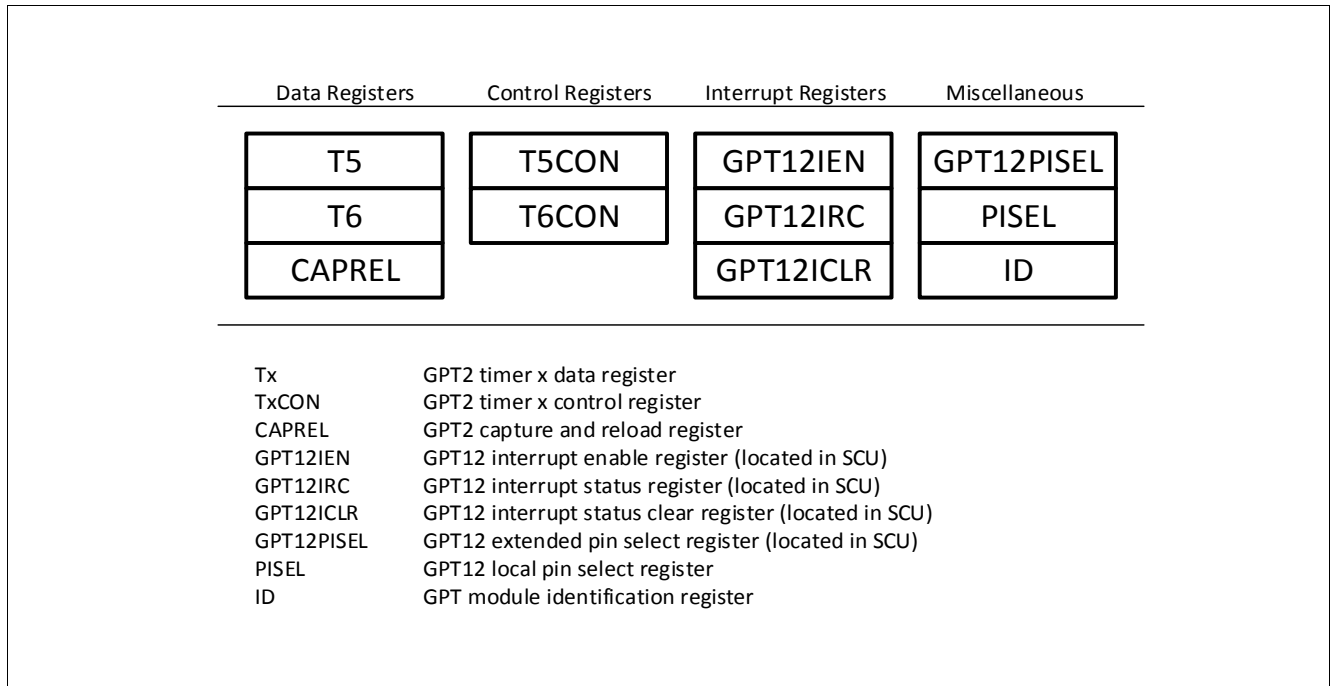


Figure 81 SFRs Associated with Timer Block GPT2

Both timers of block GPT2 (T5, T6) can run in one of 3 basic modes: Timer Mode, Gated Timer Mode, or Counter Mode. All timers can count up or down. Each timer of GPT2 is controlled by a separate control register TxCON. Each timer has an input pin TxIN (alternate pin function) associated with it, which serves as the gate control in Gated Timer Mode, or as the count input in Counter Mode. The count direction (up/down) may be programmed via software or may be dynamically altered by a signal at the External Up/Down control input TxEUD (alternate pin function). An overflow/underflow of core timer T6 is indicated by the Output Toggle Latch T6OTL, whose state may be output on the associated pin T6OUT (alternate pin function). The auxiliary timer T5 may additionally be concatenated with core timer T6 (through T6OTL).

The Capture/Reload register CAPREL can be used to capture the contents of timer T5, or to reload timer T6. A special mode facilitates the use of register CAPREL for both functions at the same time. This mode allows frequency multiplication. The capture function is triggered by the input pin CAPIN, or by GPT1 timer’s T3 input lines T3IN and T3EUD. The reload function is triggered by an overflow or underflow of timer T6. Overflows/underflows of timer T6 may also clock the timers of the CAPCOM units.

The current contents of each timer can be read or modified by the CPU by accessing the corresponding timer count registers T5 or T6, located in the SFR space (see [Section 15.4.8.1](#)). When any of the timer registers is written to by the CPU in the state immediately preceding a timer increment, decrement, reload, or capture operation, the CPU write operation has priority in order to guarantee correct results.

The interrupts of GPT2 are controlled through the SCU. [GPT12IEN](#) and SCU. [GPT12IRC](#). These registers are not part of the GPT2 block.

The input and output lines of GPT2 are connected to pins. The control registers for the port functions are located in the respective port modules.

Note: The timing requirements for external input signals can be found in [Section 15.4.6](#), [Section 15.7.1](#) summarizes the module interface signals, including pins.

15.4.1 GPT2 Core Timer T6 Control

The current contents of the core timer T6 are reflected by its count register T6. This register can also be written to by the CPU, for example, to set the initial start value.

The core timer T6 is configured and controlled via its control register T6CON.

Timer T6 Run Control

The core timer T6 can be started or stopped by software through bit T6R (timer T6 run bit). This bit is relevant in all operating modes of T6. Setting bit T6R will start the timer, clearing bit T6R stops the timer.

In Gated Timer Mode, the timer will only run if T6R = 1 and the gate is active (high or low, as programmed).

Note: When bit T5RC in timer control register T5CON is set, bit T6R will also control (start and stop) the Auxiliary Timer T5.

Count Direction Control

The count direction of the GPT2 timers (core timer and auxiliary timer) can be controlled either by software or by the external input pin TxEUD (Timer Tx External Up/Down Control Input). These options are selected by bits TxUD and TxUDE in the respective control register TxCON. When the up/down control is provided by software (bit TxUDE = 0), the count direction can be altered by setting or clearing bit TxUD. When bit TxUDE = 1, pin TxEUD is selected to be the controlling source of the count direction. However, bit TxUD can still be used to reverse the actual count direction, as shown in [Table 85](#). The count direction can be changed regardless of whether or not the timer is running.

Note: When pin TxEUD is used as external count direction control input, it must be configured as input.

Timer T6 Output Toggle Latch

The overflow/underflow signal of timer T6 is connected to a block named 'Toggle Latch', shown in the Timer Mode diagrams. **Figure 82** illustrates the details of this block. An overflow or underflow of T6 will clock two latches: The first latch represents bit T6OTL in control register T6CON. The second latch is an internal latch toggled by T6OTL's output. Both latch outputs are connected to the input control block of the auxiliary timer T5. The output level of the shadow latch will match the output level of T6OTL, but is delayed by one clock cycle. When the T6OTL value changes, this will result in a temporarily different output level from T6OTL and the shadow latch, which can trigger the selected count event in T5.

When software writes to T6OTL, both latches are set or cleared simultaneously. In this case, both signals to the auxiliary timers carry the same level and no edge will be detected. Bit T6OE (overflow/underflow output enable) in register T6CON enables the state of T6OTL to be monitored via an external pin T6OUT. When T6OTL is linked to an external port pin (must be configured as output), T6OUT can be used to control external HW. If T6OE = 1, pin T6OUT outputs the state of T6OTL. If T6OE = 0, pin T6OUT outputs a high level (while it selects the timer output signal).

As can be seen from **Figure 82**, when latch T6OTL is modified by software to determine the state of the output line, also the internal shadow latch is set or cleared accordingly. Therefore, no trigger condition is detected by T5 in this case.

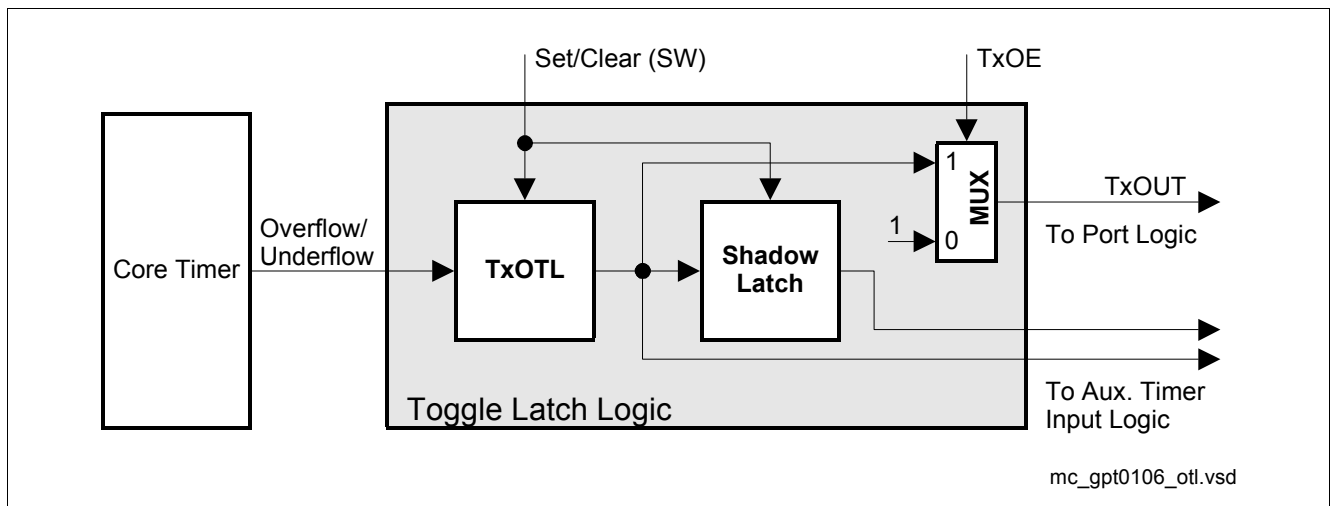


Figure 82 Block Diagram of the Toggle Latch Logic of Core Timer T6 (x = 6)

Note: T6 is also used to clock the timers in the CAPCOM units. For this purpose, there is a direct internal connection between the T6 overflow/underflow line and the CAPCOM timers (signal T6OUF).

15.4.2 GPT2 Core Timer T6 Operating Modes

Timer T6 can operate in one of several modes.

Timer T6 in Timer Mode

Timer mode for the core timer T6 is selected by setting bitfield T6M in register T6CON to 000_B. In this mode, T6 is clocked with the module's input clock f_{GPT} divided by two programmable prescalers controlled by bitfields BPS2 and T6I in register T6CON. Please see [Section 15.4.6](#) for details on the input clock options.

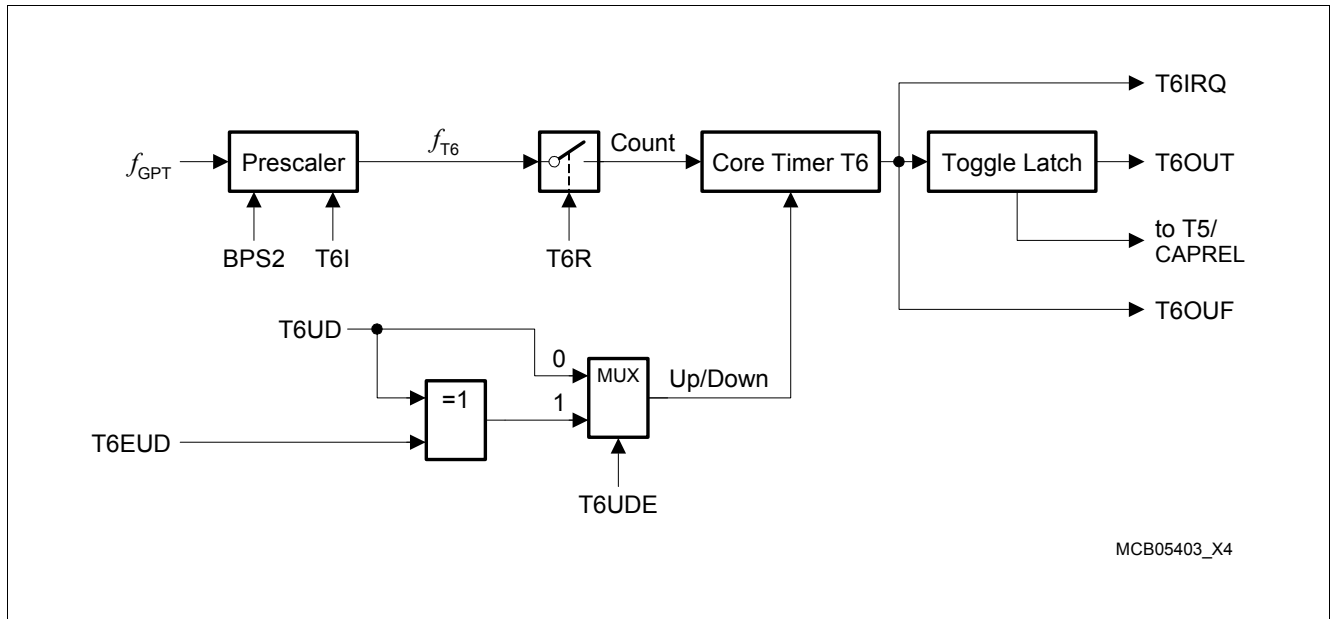


Figure 83 Block Diagram of Core Timer T6 in Timer Mode

Timer T6 in Gated Timer Mode

Gated Timer Mode for the core timer T6 is selected by setting bitfield T6M in register T6CON to 010_B or 011_B. Bit T6M.0 (T6CON.3) selects the active level of the gate input. The same options for the input frequency are available in Gated Timer Mode as in Timer Mode (see [Section 15.4.6](#)). However, the input clock to the timer in this mode is gated by the external input pin T6IN (Timer T6 External Input).

To enable this operation, the associated pin T6IN must be configured as input.

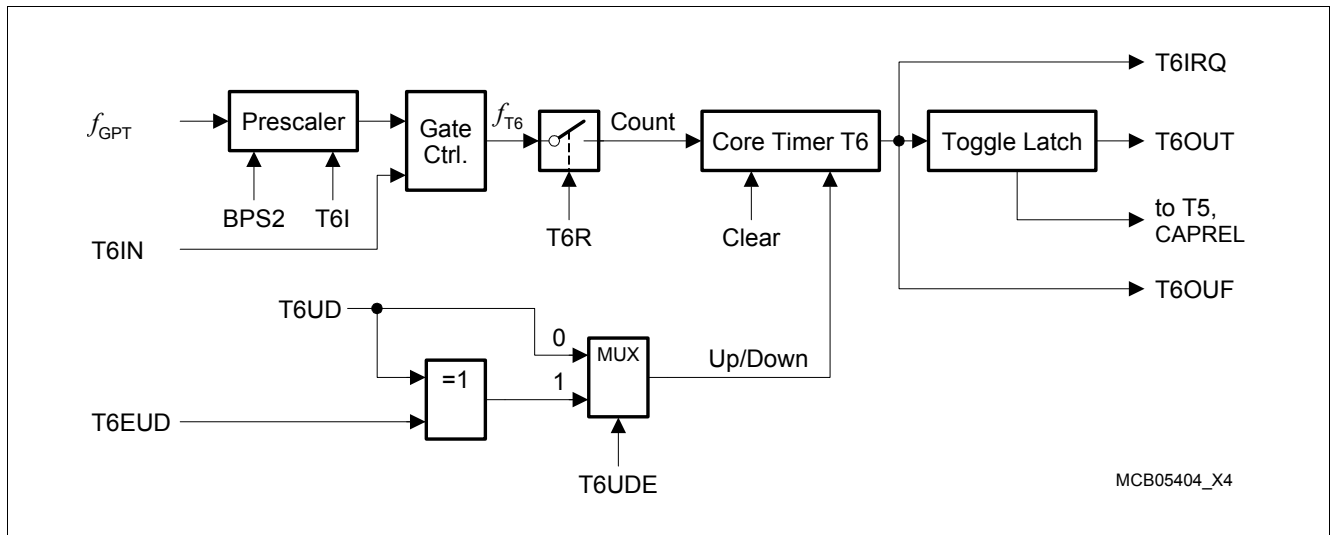


Figure 84 Block Diagram of Core Timer T6 in Gated Timer Mode

If T6M = 010_B, the timer is enabled when T6IN shows a low level. A high level at this line stops the timer. If T6M = 011_B, line T6IN must have a high level in order to enable the timer. Additionally, the timer can be turned on or off by software using bit T6R. The timer will only run if T6R is 1 and the gate is active. It will stop if either T6R is 0 or the gate is inactive.

Note: A transition of the gate signal at pin T6IN does not cause an interrupt request.

Timer T6 in Counter Mode

Counter Mode for the core timer T6 is selected by setting bitfield T6M in register T6CON to 001_B. In Counter Mode, timer T6 is clocked by a transition at the external input pin T6IN. The event causing an increment or decrement of the timer can be a positive, a negative, or both a positive and a negative transition at this line. Bitfield T6I in control register T6CON selects the triggering transition (see [Table 87](#)).

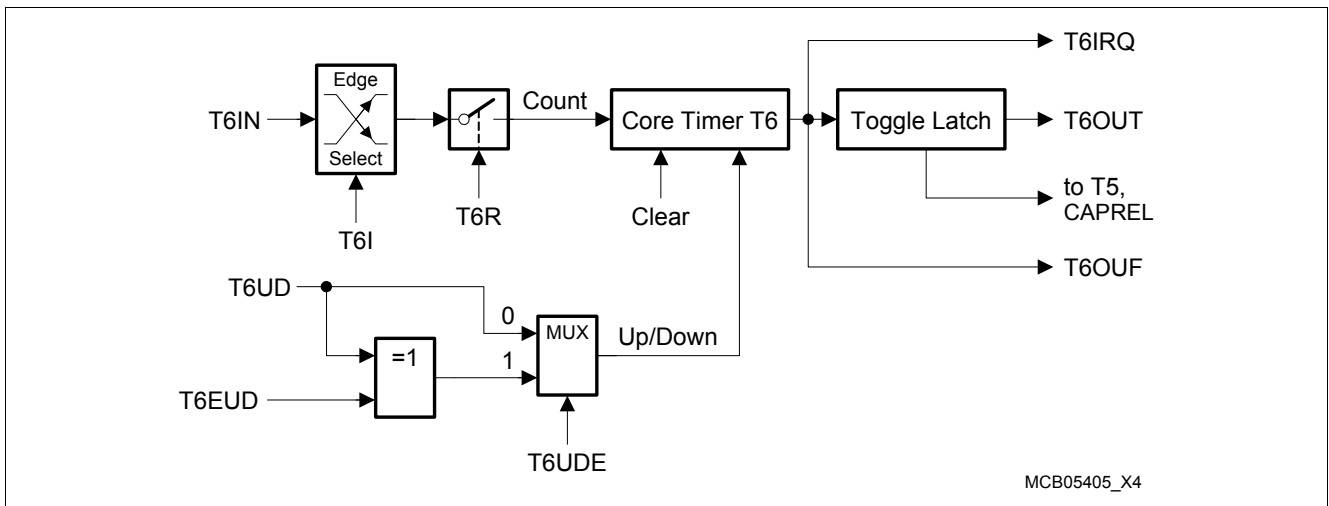


Figure 85 Block Diagram of Core Timer T6 in Counter Mode

For Counter Mode operation, pin T6IN must be configured as input. The maximum input frequency allowed in Counter Mode depends on the selected prescaler value. To ensure that a transition of the count input signal applied to T6IN is recognized correctly, its level must be held high or low for a minimum number of module clock cycles before it changes. This information can be found in [Section 15.4.6](#).

15.4.3 GPT2 Auxiliary Timer T5 Control

Auxiliary timer T5 can be configured for Timer Mode, Gated Timer Mode, or Counter Mode with the same options for the timer frequencies and the count signal as the core timer T6. In addition to these 3 counting modes, the auxiliary timer can be concatenated with the core timer. The contents of T5 may be captured to register CAPREL upon an external or an internal trigger. The start/stop function of the auxiliary timers can be remotely controlled by the T6 run control bit. Several timers may thus be controlled synchronously.

The current contents of the auxiliary timer are reflected by its count register T5. This register can also be written to by the CPU, for example, to set the initial start value.

The individual configurations for timer T5 are determined by its control register T5CON. Some bits in this register also control the function of the CAPREL register. Note that functions which are present in all timers of block GPT2 are controlled in the same bit positions and in the same manner in each of the specific control registers.

Note: The auxiliary timer has no output toggle latch and no alternate output function.

Timer T5 Run Control

The auxiliary timer T5 can be started or stopped by software in two different ways:

- Through the associated timer run bit (T5R). In this case it is required that the respective control bit T5RC = 0.
- Through the core timer's run bit (T6R). In this case the respective remote control bit must be set (T5RC = 1).

The selected run bit is relevant in all operating modes of T5. Setting the bit will start the timer, clearing the bit stops the timer.

In Gated Timer Mode, the timer will only run if the selected run bit is set and the gate is active (high or low, as programmed).

Note: If remote control is selected T6R will start/stop timer T6 and the auxiliary timer T5 synchronously.

15.4.4 GPT2 Auxiliary Timer T5 Operating Modes

The operation of the auxiliary timer in the basic operating modes is almost identical with the core timer's operation, with very few exceptions. Additionally, some combined operating modes can be selected.

Timer T5 in Timer Mode

Timer Mode for the auxiliary timer T5 is selected by setting its bitfield T5M in register T5CON to 000_B .

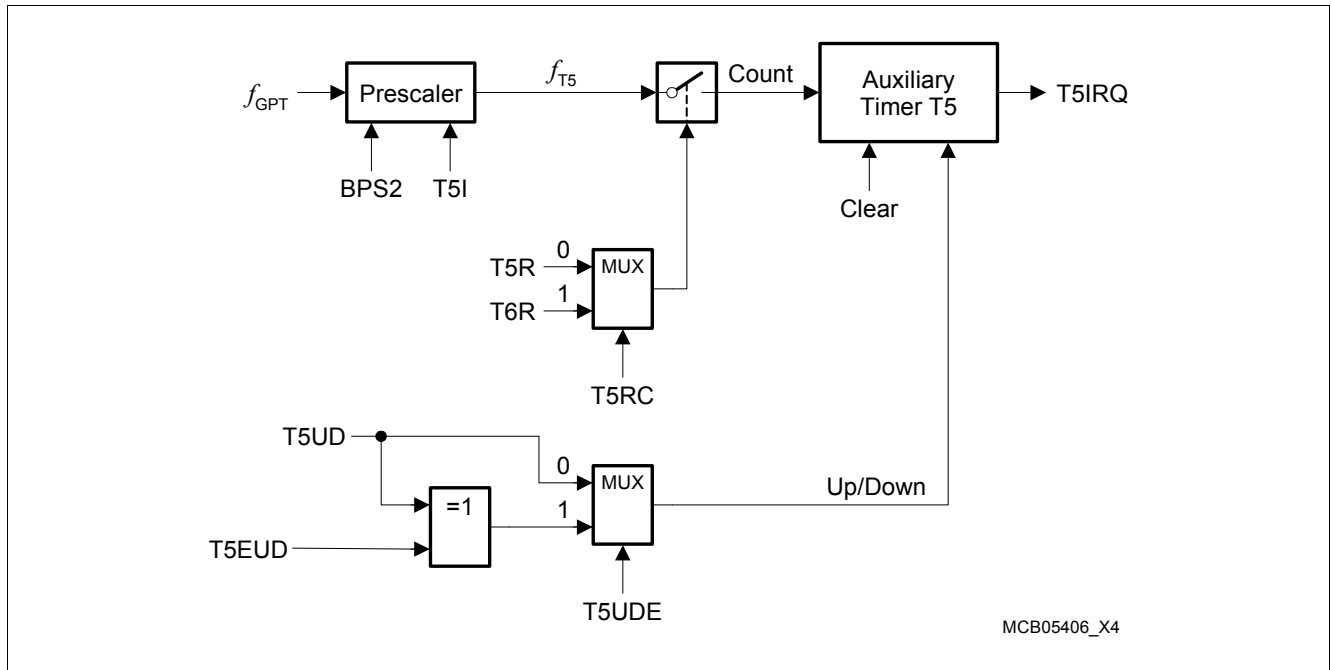


Figure 86 Block Diagram of Auxiliary Timer T5 in Timer Mode

Timer T5 in Gated Timer Mode

Gated Timer Mode for the auxiliary timer T5 is selected by setting bitfield T5M in register T5CON to 010_B or 011_B. Bit T5M.0 (T5CON.3) selects the active level of the gate input.

Note: A transition of the gate signal at line T5IN does not cause an interrupt request.

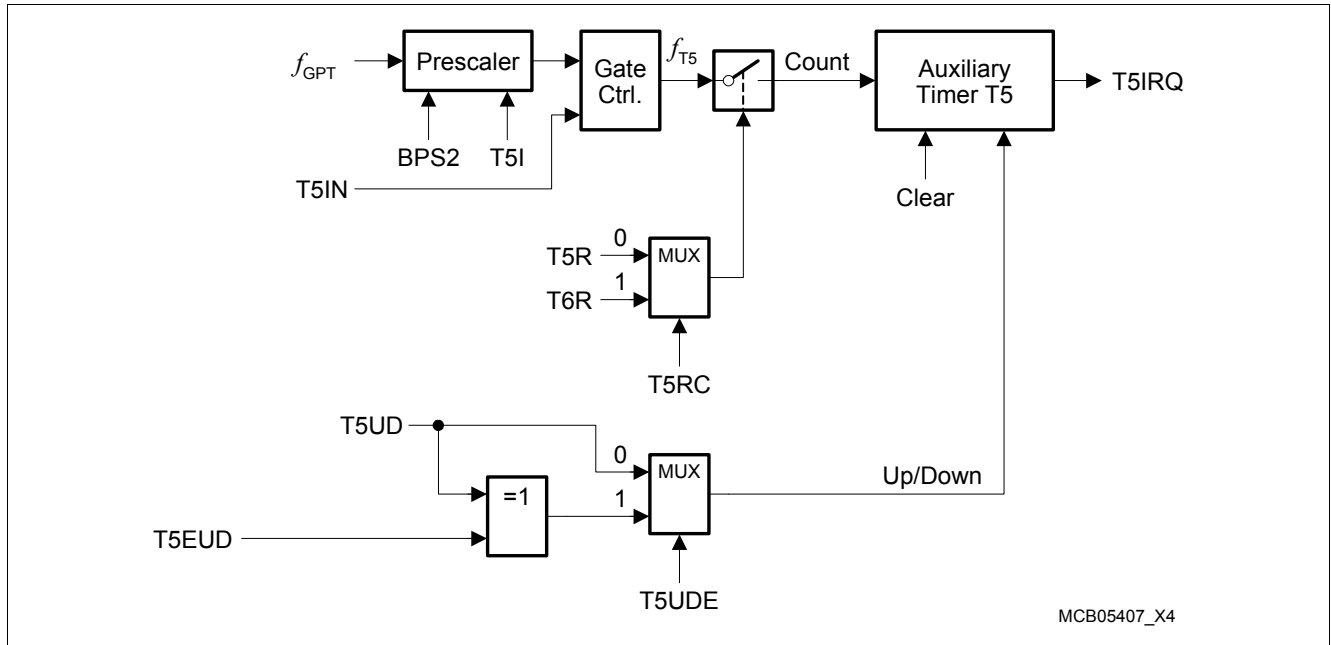


Figure 87 Block Diagram of Auxiliary Timer T5 in Gated Timer Mode

Note: There is no output toggle latch for T5.

Start/stop of the auxiliary timer can be controlled locally or remotely.

Timer T5 in Counter Mode

Counter Mode for auxiliary timer T5 is selected by setting bitfield T5M in register T5CON to 001_B. In Counter Mode, the auxiliary timer can be clocked either by a transition at its external input line T5IN, or by a transition of timer T6's toggle latch T6OTL. The event causing an increment or decrement of a timer can be a positive, a negative, or both a positive and a negative transition at either the respective input pin or at the toggle latch. Bitfield T5I in control register T5CON selects the triggering transition (see [Table 88](#)).

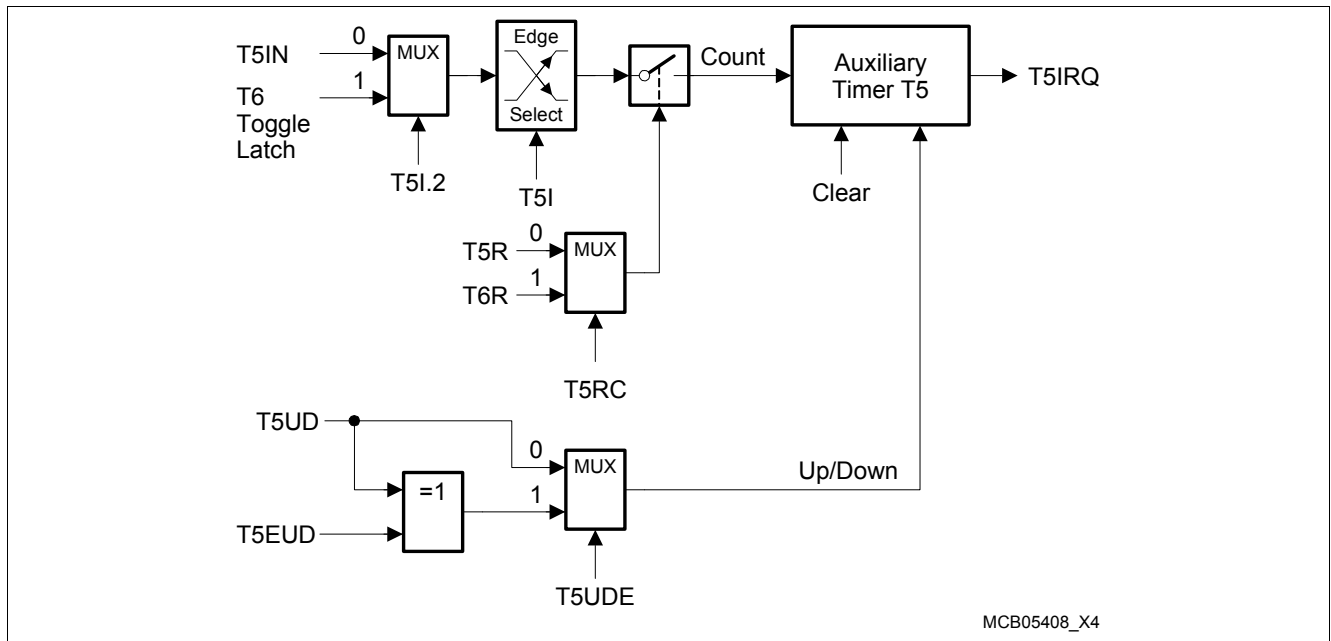


Figure 88 Block Diagram of Auxiliary Timer T5 in Counter Mode

Note: Only state transitions of T6OTL which are caused by the overflows/underflows of T6 will trigger the counter function of T5. Modifications of T6OTL via software will NOT trigger the counter function of T5.

For counter operation, pin T5IN must be configured as input. The maximum input frequency allowed in Counter Mode depends on the selected prescaler value. To ensure that a transition of the count input signal applied to T5IN is recognized correctly, its level must be held high or low for a minimum number of module clock cycles before it changes. This information can be found in [Section 15.4.6](#).

Timer Concatenation

Using the toggle bit T6OTL as a clock source for the auxiliary timer in Counter Mode concatenates the core timer T6 with the auxiliary timer T5. This concatenation forms either a 32-bit or a 33-bit timer/counter, depending on which transition of T6OTL is selected to clock the auxiliary timer.

- **32-bit Timer/Counter:** If both a positive and a negative transition of T6OTL are used to clock the auxiliary timer, this timer is clocked on every overflow/underflow of the core timer T6. Thus, the two timers form a 32-bit timer.
- **33-bit Timer/Counter:** If either a positive or a negative transition of T6OTL is selected to clock the auxiliary timer, this timer is clocked on every second overflow/underflow of the core timer T6. This configuration forms a 33-bit timer (16-bit core timer + T6OTL + 16-bit auxiliary timer).
As long as bit T6OTL is not modified by software, it represents the state of the internal toggle latch, and can be regarded as part of the 33-bit timer.

The count directions of the two concatenated timers are not required to be the same. This offers a wide variety of different configurations.

T6, which represents the low-order part of the concatenated timer, can operate in Timer Mode, Gated Timer Mode or Counter Mode in this case.

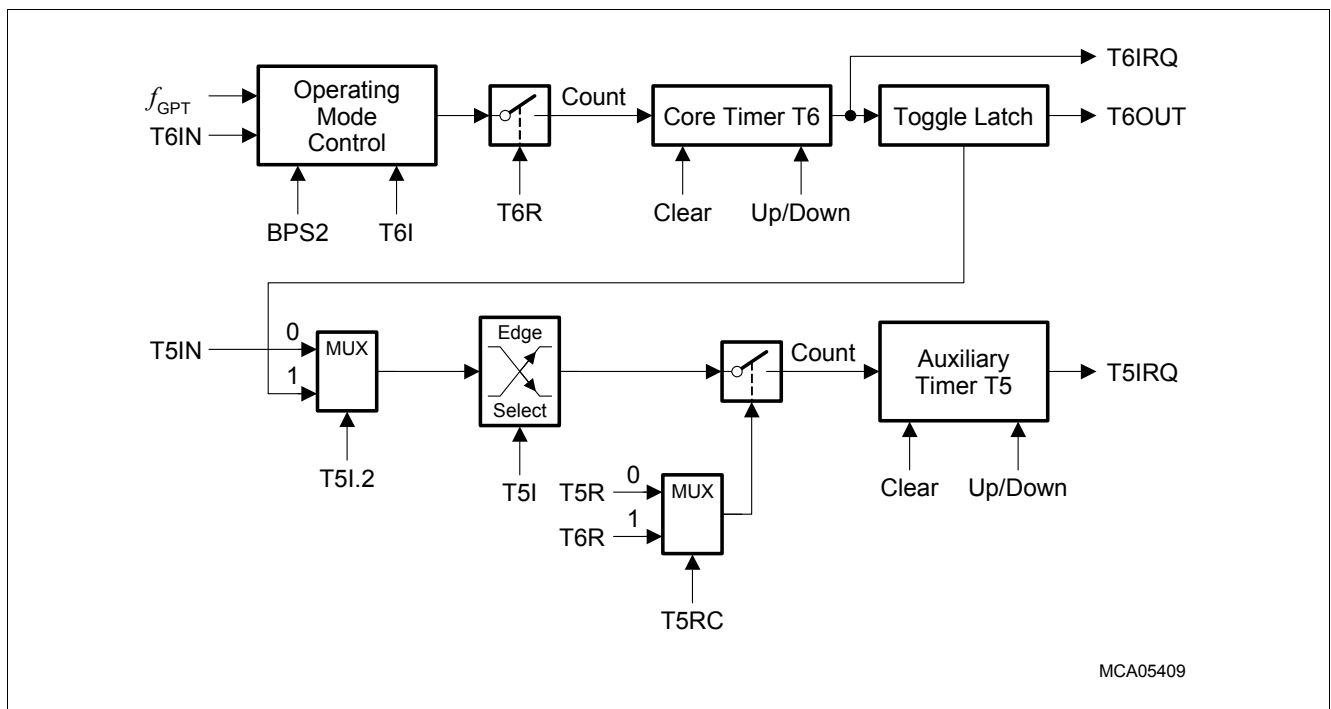


Figure 89 Concatenation of Core Timer T6 and Auxiliary Timer T5

15.4.5 GPT2 Register CAPREL Operating Modes

The Capture/Reload register CAPREL can be used to capture the contents of timer T5, or to reload timer T6. A special mode facilitates the use of register CAPREL for both functions at the same time. This mode allows frequency multiplication. The capture function is triggered by CAPIN, by T3IN and T3EUD, or by read GPT1 timers. The reload function is triggered by an overflow or underflow of timer T6.

In addition to the capture function, the capture trigger signal can also be used to clear the contents of timers T5 and T6 individually.

The functions of register CAPREL are controlled via several bit(field)s in the timer control registers T5CON and T6CON.

Capture/Reload Register CAPREL in Capture Mode

Capture mode for register CAPREL is selected by setting bit T5SC in control register T5CON (set bitfield CI in register T5CON to a non-zero value to select a trigger signal). In capture mode, the contents of the auxiliary timer T5 are latched into register CAPREL in response to a signal transition at the selected external input pin(s). Bit CT3 selects the external input line CAPIN or the input lines T3IN and/or T3EUD of GPT1 timer T3 as the source for a capture trigger. Either a positive, a negative, or both a positive and a negative transition at line CAPIN can be selected to trigger the capture function, or transitions on input T3IN or input T3EUD or both inputs, T3IN and T3EUD. The active edge is controlled by bitfield CI in register T5CON. [Table 81](#) summarizes these options.

Table 81 CAPREL Register Input Edge Selection

CT3	CI	Triggering Signal/Edge for Capture Mode
X	00 _B	None. Capture Mode is disabled.
0	01 _B	Positive transition (rising edge) on CAPIN. ¹⁾
0	10 _B	Negative transition (falling edge) on CAPIN.
0	11 _B	Any transition (rising or falling edge) on CAPIN.
1	01 _B	Any transition (rising or falling edge) on T3IN.
1	10 _B	Any transition (rising or falling edge) on T3EUD.
1	11 _B	Any transition (rising or falling edge) on T3IN or T3EUD.

1) Rising edge must be selected if capturing is triggered by the internal GPT1 read signals (see register PISEL and [“Combined Capture Modes” on Page 375](#)).

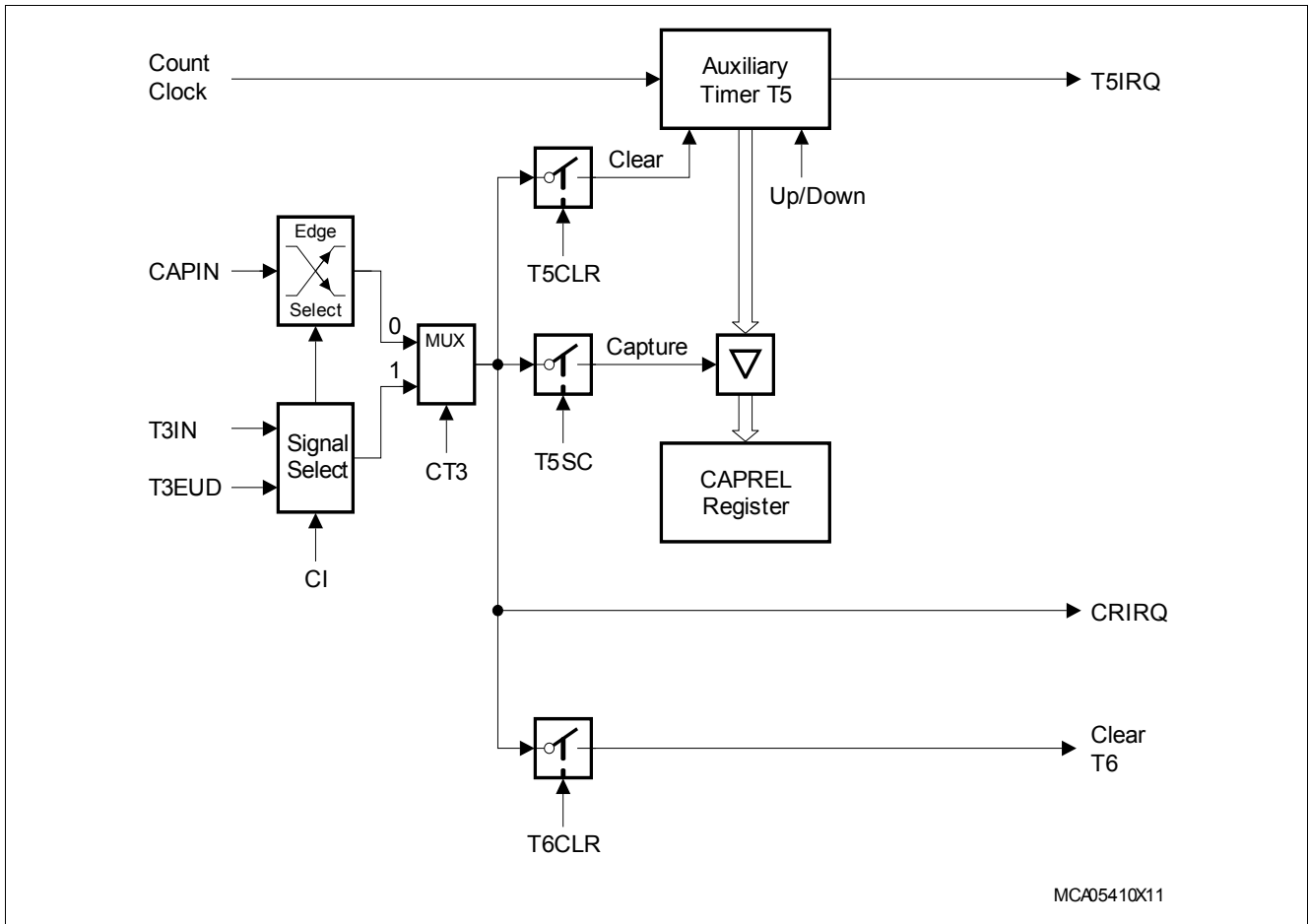


Figure 90 Capture/Reload Register CAPREL in Capture Mode

When a selected trigger is detected, the contents of the auxiliary timer T5 are latched into register CAPREL and the interrupt request line CRIRQ is activated. The same event can optionally clear timer T5 and/or timer T6. This option is enabled by bit T5CLR in register T5CON and bit T6CLR in register T6CON, respectively. If TxCLR = 0 the contents of timer Tx is not affected by a capture. If TxCLR = 1 timer Tx is cleared after the current timer T5 value has been latched into register CAPREL.

Note: Bit T5SC only controls whether or not a capture is performed. If T5SC is cleared the external input pin(s) can still be used to clear timer T5 and/or T6, or as external interrupt input(s). This interrupt is controlled by the CAPREL interrupt control register SCU.GPT12IEN and SCU.GPT12IRC

When capture triggers T3IN or T3EUD are enabled (CT3 = 1), register CAPREL captures the contents of T5 upon transitions of the selected input(s). These values can be used to measure T3's input signals. This is useful, for example, when T3 operates in Incremental Interface Mode, in order to derive dynamic information (speed, acceleration) from the input signals.

For capture mode operation, the selected pins CAPIN, T3IN, or T3EUD must be configured as input. To ensure that a transition of a trigger input signal applied to one of these inputs is recognized correctly, its level must be held high or low for a minimum number of module clock cycles, detailed in [Section 15.4.6](#).

Capture/Reload Register CAPREL in Reload Mode

Reload mode for register CAPREL is selected by setting bit T6SR in control register T6CON. In reload mode, the core timer T6 is reloaded with the contents of register CAPREL, triggered by an overflow or underflow of T6. This will not activate the interrupt request line CRIRQ associated with the CAPREL register. However, interrupt request line T6IRQ will be activated, indicating the overflow/underflow of T6.

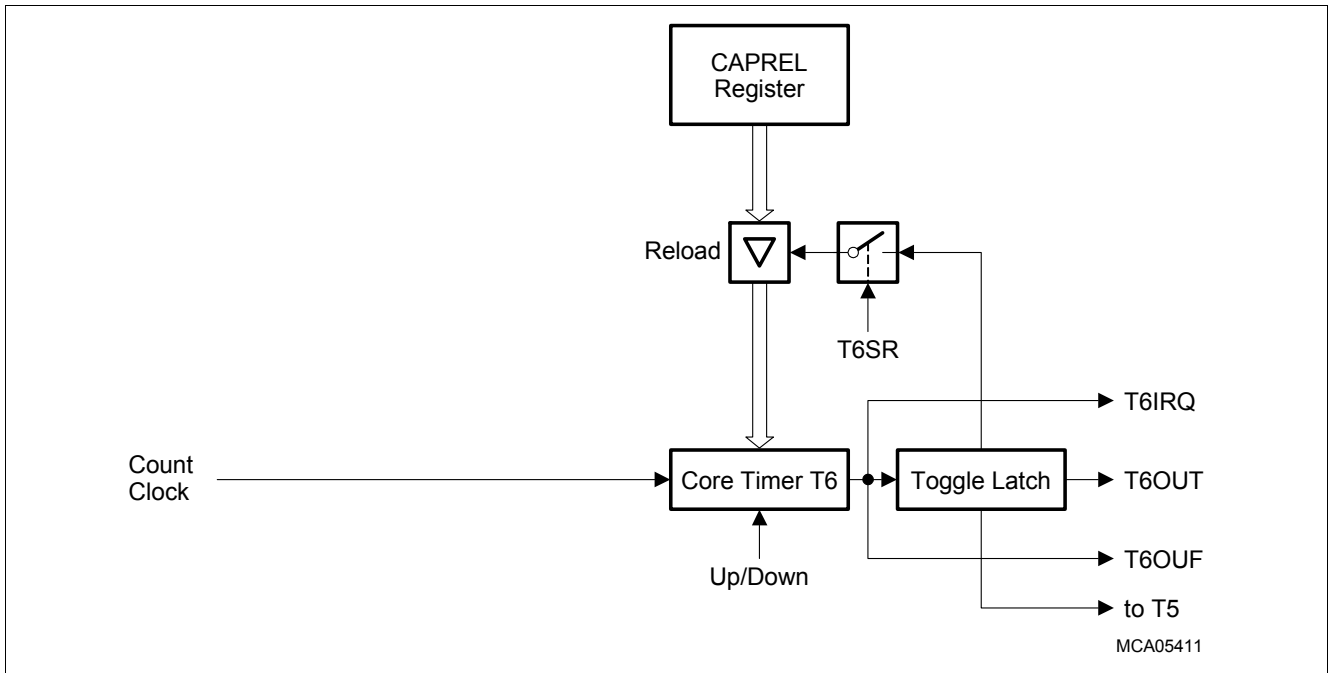


Figure 91 Capture/Reload Register CAPREL in Reload Mode

Capture/Reload Register CAPREL in Capture-And-Reload Mode

Since the reload function and the capture function of register CAPREL can be enabled individually by bits T5SC and T6SR, the two functions can be enabled simultaneously by setting both bits. This feature can be used to generate an output frequency that is a multiple of the input frequency.

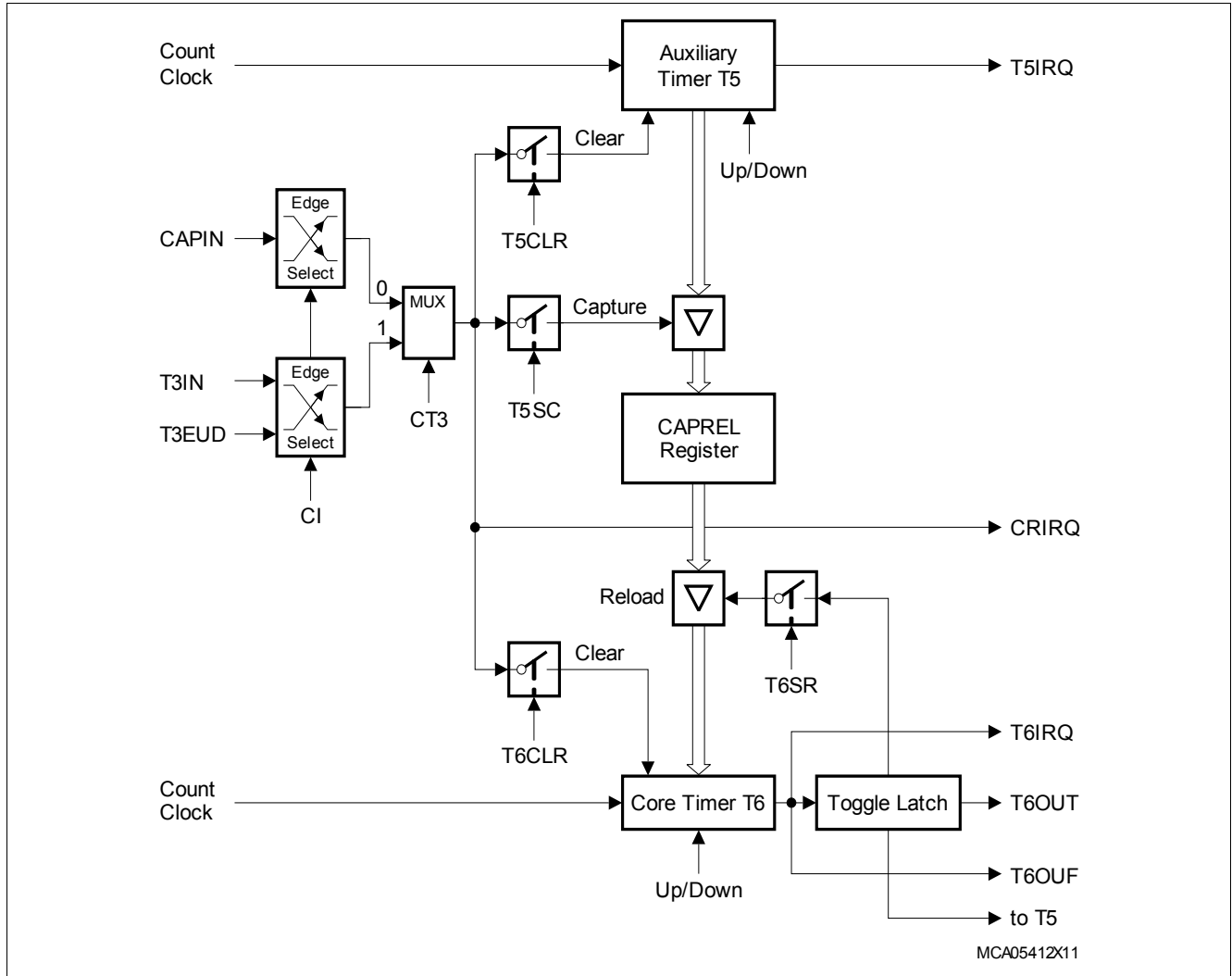


Figure 92 Capture/Reload Register CAPREL in Capture-And-Reload Mode

This combined mode can be used to detect consecutive external events which may occur aperiodically, but where a finer resolution, that means, more ‘ticks’ within the time between two external events is required.

For this purpose, the time between the external events is measured using timer T5 and the CAPREL register. Timer T5 runs in Timer Mode counting up with a frequency of e.g. $f_{GPT}/32$. The external events are applied to pin CAPIN. When an external event occurs, the contents of timer T5 are latched into register CAPREL and timer T5 is cleared (T5CLR = 1). Thus, register always contains the correct time between two events, measured in timer T5 increments. Timer T6, which runs in Timer Mode counting down with a frequency of e.g. $f_{GPT}/4$, uses the value in register CAPREL to perform a reload on underflow. This means, the value in register CAPREL represents the time between two underflows of timer T6, now measured in timer T6 increments. Since (in this example) timer T6 runs 8 times faster than timer T5, it will underflow 8 times within the time between two external events. Thus, the underflow signal of timer T6 generates 8 ‘ticks’. Upon each underflow, the interrupt request line T6IRQ will be activated and bit T6OTL will be toggled. The state of T6OTL may be output on pin T6OUT. This signal has 8 times more transitions than the signal which is applied to pin CAPIN.

Note: The underflow signal of Timer T6 can furthermore be used to clock one or more of the timers of the CAPCOM units, which gives the user the possibility to set compare events based on a finer resolution than that of the external events. This connection is accomplished via signal T6OUF.

Capture Correction

A certain deviation of the output frequency is generated by the fact that timer T5 will count actual time units (e.g. T5 running at 1 MHz will count up to the value $64_H/100_D$ for a 10 kHz input signal), while T6OTL will only toggle upon an underflow of T6 (i.e. the transition from 0000_H to $FFFF_H$). In the above mentioned example, T6 would count down from 64_H , so the underflow would occur after 101 timing ticks of T6. The actual output frequency then is 79.2 kHz, instead of the expected 80 kHz.

This deviation can be compensated for by using T6 overflows. In this case, T5 counts down and T6 counts up. Upon a signal transition on pin CAPIN, the count value in T5 is captured into CAPREL and T5 is cleared to 0000_H . In its next clock cycle, T5 underflows to $FFFF_H$, and continues to count down with the following clocks. T6 is reloaded from CAPREL upon an overflow, and continues to count up with its following clock cycles (8 times faster in the above example). In this case, T5 and T6 count the same number of steps with their respective internal count frequency.

In the above example, T5 running at 1 MHz will count down to the value $FF9C_H/-100_D$ for a 10 kHz input signal applied at CAPIN, while T6 counts up from $FF9C_H$ through $FFFF_H$ to 0000_H . So the overflow occurs after 100 timing ticks of T6, and the actual output frequency at T6OUT then is the expected 80 kHz.

However, in this case CAPREL does not directly contain the time between two CAPIN events, but rather its 2's complement. Software will have to convert this value, if it is required for the operation.

Combined Capture Modes

For incremental interface applications in particular, several timer features can be combined to obtain dynamic information such as speed, acceleration, or deceleration. The current position itself can be obtained directly from the timer register (T2, T3, T4).

The time information to determine the dynamic parameters is generated by capturing the contents of the free-running timer T5 into register CAPREL. Two trigger sources for this event can be selected:

- Capture trigger on sensor signal transitions
- Capture trigger on position read operations

Capturing on sensor signal transitions is available for timer T3 inputs. This mode is selected by setting bit CT3 and selecting the intended signal(s) via bitfield CI in register T5CON. CAPREL then indicates the time between two selected transitions (measured in T5 counts).

Capturing on position read operations is available for timers T2, T3, and T4. This mode is selected by clearing bit CT3 and selecting the rising edge via bitfield CI in register T5CON. Bitfield ISCAPIN in register PISEL then selects either a read access from T3 or a read access from any of T2 or T3 or T4. CAPREL then indicates the time between two read accesses.

These operating modes directly support the measurement of position and rotational speed. Acceleration and deceleration can then be determined by evaluating subsequent speed measurements.

15.4.6 GPT2 Clock Signal Control

All actions within the timer block GPT2 are triggered by transitions of its basic clock. This basic clock is derived from the module clock f_{GPT} by a basic block prescaler, controlled by bitfield BPS2 in register T6CON (see [Figure 63](#)). The count clock can be generated in two different ways:

- **Internal count clock**, derived from GPT2's basic clock via a programmable prescaler, is used for (gated) Timer Mode.
- **External count clock**, derived from the timer's input pin(s), is used for Counter Mode.

For both ways, the basic clock determines the maximum count frequency and the timer's resolution:

Table 82 Basic Clock Selection for Block GPT2

Block Prescaler ¹⁾	BPS2 = 01 _B	BPS2 = 00 _B ²⁾	BPS2 = 11 _B	BPS2 = 10 _B
Prescaling Factor for GPT2: F(BPS2)	F(BPS2) = 2	F(BPS2) = 4	F(BPS2) = 8	F(BPS2) = 16
Maximum External Count Frequency	$f_{GPT}/4$	$f_{GPT}/8$	$f_{GPT}/16$	$f_{GPT}/32$
Input Signal Stable Time	$2 \times t_{GPT}$	$4 \times t_{GPT}$	$8 \times t_{GPT}$	$16 \times t_{GPT}$

1) Please note the non-linear encoding of bitfield BPS2.

2) Default after reset.

Note: When initializing the GPT2 block, and the block prescaler BPS2 in T6CON needs to be set to a value different from its reset value (00_B), it must be initialized first before any mode involving external trigger signals is configured. These modes include counter, capture, and reload mode. Otherwise, unintended count/capture/reload events may occur.

In this case (e.g. when changing BPS2 during operation of the GPT2 block), disable related interrupts before modification of BPS2, and afterwards clear the corresponding service request flags and re-initialize those registers (T5, T6, CAPREL) that might be affected by a count/capture/reload event.

Internal Count Clock Generation

In Timer Mode and Gated Timer Mode, the count clock for each GPT2 timer is derived from the GPT2 basic clock by a programmable prescaler, controlled by bitfield TxI in the respective timer's control register TxCON.

The count frequency f_{Tx} for a timer Tx and its resolution r_{Tx} are scaled linearly with lower clock frequencies, as can be seen from the following formula:

$$f_{Tx} = \frac{f_{GPT}}{F(BPS2) \times 2^{<TxI>}} \quad r_{Tx}[\mu s] = \frac{F(BPS2) \times 2^{<TxI>}}{f_{GPT}[\text{MHz}]} \quad (7)$$

The effective count frequency depends on the common module clock prescaler factor F(BPS2) as well as on the individual input prescaler factor $2^{<TxI>}$. [Table 86](#) summarizes the resulting overall divider factors for a GPT2 timer that result from these cascaded prescalers.

[Table 83](#) lists GPT2 timer's parameters (such as count frequency, resolution, and period) resulting from the selected overall prescaler factor and the module clock f_{GPT} . Note that some numbers may be rounded.

Table 83 GPT2 Timer Parameters

System Clock = 10 MHz			Overall Divider Factor	System Clock = 40 MHz		
Frequency	Resolution	Period		Frequency	Resolution	Period
5.0 MHz	200 ns	13.11 ms	2	20.0 MHz	50 ns	3.28 ms
2.5 MHz	400 ns	26.21 ms	4	10.0 MHz	100 ns	6.55 ms
1.25 MHz	800 ns	52.43 ms	8	5.0 MHz	200 ns	13.11 ms
625.0 kHz	1.6 μs	104.9 ms	16	2.5 MHz	400 ns	26.21 ms
312.5 kHz	3.2 μs	209.7 ms	32	1.25 MHz	800 ns	52.43 ms
156.25 kHz	6.4 μs	419.4 ms	64	625.0 kHz	1.6 μs	104.9 ms
78.125 kHz	12.8 μs	838.9 ms	128	312.5 kHz	3.2 μs	209.7 ms
39.06 kHz	25.6 μs	1.678 s	256	156.25 kHz	6.4 μs	419.4 ms
19.53 kHz	51.2 μs	3.355 s	512	78.125 kHz	12.8 μs	838.9 ms
9.77 kHz	102.4 μs	6.711 s	1024	39.06 kHz	25.6 μs	1.678 s
4.88 kHz	204.8 μs	13.42 s	2048	19.53 kHz	51.2 μs	3.355 s

External Count Clock Input

The external input signals of the GPT2 block are sampled with the GPT2 basic clock (see [Figure 63](#)). To ensure that a signal is recognized correctly, its current level (high or low) must be held active for at least one complete sampling period, before changing. A signal transition is recognized if two subsequent samples of the input signal represent different levels. Therefore, a minimum of two basic clock periods are required for the sampling of an external input signal. Thus, the maximum frequency of an input signal must not be higher than half the basic clock.

[Table 84](#) summarizes the resulting requirements for external GPT2 input signals.

Table 84 GPT2 External Input Signal Limits

GPT2 Basic Clock = 10 MHz		Input Frequ. Factor	GPT2 Divider BPS2	Input Phase Duration	GPT2 Basic Clock = 40 MHz	
Max. Input Frequency	Min. Level Hold Time				Max. Input Frequency	Min. Level Hold Time
2.5 MHz	200 ns	$f_{GPT}/4$	01 _B	$2 \times t_{GPT}$	10.0 MHz	50 ns
1.25 MHz	400 ns	$f_{GPT}/8$	00 _B	$4 \times t_{GPT}$	5.0 MHz	100 ns
625.0 kHz	800 ns	$f_{GPT}/16$	11 _B	$8 \times t_{GPT}$	2.5 MHz	200 ns
312.5 kHz	1.6 μs	$f_{GPT}/32$	10 _B	$16 \times t_{GPT}$	1.25 MHz	400 ns

These limitations are valid for all external input signals to GPT2, including the external count signals in Counter Mode and the gate input signals in Gated Timer Mode.

15.4.7 Interrupt Control for GPT2 Timers and CAPREL

When a timer overflows from $FFFF_H$ to 0000_H (when counting up), or when it underflows from 0000_H to $FFFF_H$ (when counting down), its interrupt request flag in register GPT2_T5 or GPT2_T6I will be set. This will cause an interrupt to the respective timer interrupt vector, if the respective interrupt enable bit is set.

Whenever a transition according to the selection in bit field CI is detected at pin CAPIN, interrupt request flag in register GPT12_CR is set. Setting any request flag will cause an interrupt to the respective timer or CAPREL interrupt vector, if the respective interrupt enable bit is set.

There is an interrupt control register for each of the two timers (T5, T6) and for the CAPREL register. All interrupt control registers have the same structure described in section Interrupt Control.

15.4.8 GPT2 Registers

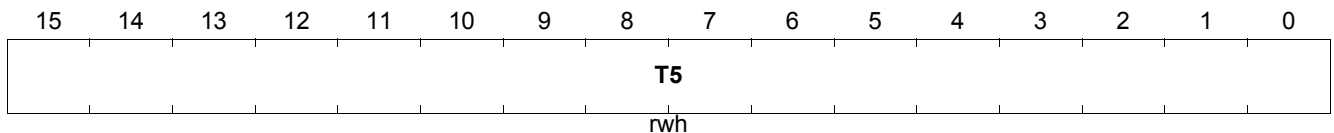
15.4.8.1 GPT2 Timer Registers

T5

Timer 5 Count Register

(2C_H)

Reset Value: 0000_H



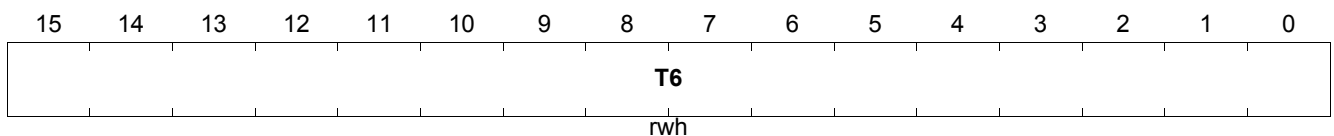
Field	Bits	Typ	Description
T5	[15:0]	rwh	Timer T5 Current Value Contains the current value of the timer T5

T6

Timer T6 Count Register

(30_H)

Reset Value: 0000_H



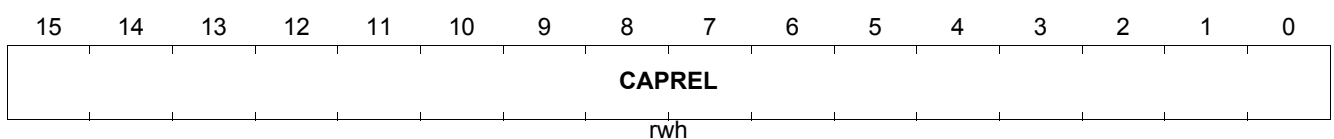
Field	Bits	Typ	Description
T6	[15:0]	rwh	Timer T6 Current Value Contains the current value of the timer T6

CAPREL

Capture/Reload Register

(1C_H)

Reset Value: 0000_H



Field	Bits	Typ	Description
CAPREL	[15:0]	rwh	Current reload value or Captured value Contains the current value of the CAPREL register

15.4.8.2 GPT2 Timer Control Registers

GPT2 Core Timer T6 Control Register

T6CON

Timer T6 Control Register

(18_H)

Reset Value: 0000_H

15	14	13	12	11	10	9	8	7	6	5	4	3	2	1	0
T6 SR	T6 CLR	Res	BPS2	T6 OTL	T6 OE	T6 UDE	T6 UD	T6R	T6M			T6I			
rw	rw	r	rw	rwh	rw	rw	rw	rw	rw			rw			

Field	Bits	Type	Description
T6I	[2:0]	rw	Timer T6 Input Parameter Selection Depends on the operating mode, see respective sections for encoding: Table 86 for Timer Mode and Gated Timer Mode Table 87 for Counter Mode
T6M	[5:3]	rw	Timer T6 Mode Control (Basic Operating Mode) 000 _B Timer Mode 001 _B Counter Mode 010 _B Gated Timer Mode with gate active low 011 _B Gated Timer Mode with gate active high 100 _B Reserved. Do not use this combination. 101 _B Reserved. Do not use this combination. 110 _B Reserved. Do not use this combination. 111 _B Reserved. Do not use this combination.
T6R	6	rw	Timer T6 Run Bit 0 _B Timer T6 stops 1 _B Timer T6 runs
T6UD	7	rw	Timer T6 Up/Down Control¹⁾ 0 _B Timer T6 counts up 1 _B Timer T6 counts down <i>Note: This bit only controls count direction of T6 if bit T6UDE = 0.</i>
T6UDE	8	rw	Timer T6 External Up/Down Enable¹⁾ 0 _B Count direction is controlled by bit T6UD; input T6EUD is disconnected 1 _B Count direction is controlled by input T6EUD
T6OE	9	rw	Overflow/Underflow Output Enable 0 _B Alternate Output Function Disabled 1 _B State of timer T6 toggle latch is output on pin T6OUT
T6OTL	10	rwh	Timer T6 Overflow Toggle Latch Toggles on each overflow/underflow of timer T6. Can be set or reset by software (see separate description)

General Purpose Timer Units (GPT12)

Field	Bits	Type	Description
BPS2	[12:11]	rw	GPT2 Block Prescaler Control Selects the basic clock for block GPT2 (see also Section 15.4.6) $00_B f_{GPT}/4$ $01_B f_{GPT}/2$ $10_B f_{GPT}/16$ $11_B f_{GPT}/8$
Res	13	r	Reserved Read as 0; should be written with 0.
T6CLR	14	rw	Timer T6 Clear Enable Bit 0_B Timer T6 is not cleared on a capture event 1_B Timer T6 is cleared on a capture event
T6SR	15	rw	Timer T6 Reload Mode Enable 0_B Reload from register CAPREL disabled 1_B Reload from register CAPREL enabled

1) See [Table 85](#) for encoding of bits T6UD and T6UDE.

General Purpose Timer Units (GPT12)

GPT2 Auxiliary Timer T5 Control Registers

T5CON

Timer 5 Control Register

(14_H)

Reset Value: 0000_H

15	14	13	12	11	10	9	8	7	6	5	4	3	2	1	0
T5 SC	T5 CLR	CI	Res	CT3	T5 RC	T5 UDE	T5 UD	T5R	Res	T5M	T5I				
rw	rw	rw	r	rw	rw	rw	rw	rw	r	rw	rw				

Field	Bits	Type	Description
T5I	[2:0]	rw	Timer T5 Input Parameter Selection Depends on the operating mode, see respective sections for encoding: Table 86 for Timer Mode and Gated Timer Mode Table 88 for Counter Mode
T5M	[4:3]	rw	Timer T5 Mode Control (Basic Operating Mode) 00 _B Timer Mode 01 _B Counter Mode 10 _B Gated Timer Mode with gate active low 11 _B Gated Timer Mode with gate active high
Res	5	r	Reserved Read as 0; should be written with 0.
T5R	6	rw	Timer T5 Run Bit 0 _B Timer T5 stops 1 _B Timer T5 runs <i>Note: This bit only controls timer T5 if bit T5RC = 0.</i>
T5UD	7	rw	Timer T5 Up/Down Control¹⁾ 0 _B Timer T5 counts up 1 _B Timer T5 counts down <i>Note: This bit only controls count direction of T5 if bit T35DE = 0.</i>
T5UDE	8	rw	Timer T5 External Up/Down Enable¹⁾ 0 _B Count direction is controlled by bit T5UD; input T5EUD is disconnected 1 _B Count direction is controlled by input T5EUD
T5RC	9	rw	Timer T5 Remote Control 0 _B Timer T5 is controlled by its own run bit T5R 1 _B Timer T5 is controlled by the run bit T6R of core timer T6, not by bit T5R
CT3	10	rw	Timer T3 Capture Trigger Enable 0 _B Capture trigger from input line CAPIN 1 _B Capture trigger from T3 input lines T3IN and/or T3EUD
Res	11	r	Reserved Read as 0; should be written with 0.

General Purpose Timer Units (GPT12)

Field	Bits	Type	Description
CI	[13:12]	rw	Register CAPREL Capture Trigger Selection²⁾ 00 _B Capture disabled 01 _B Positive transition (rising edge) on CAPIN ³⁾ or any transition on T3IN 10 _B Negative transition (falling edge) on CAPIN or any transition on T3EUD 11 _B Any transition (rising or falling edge) on CAPIN or any transition on T3IN or T3EUD
T5CLR	14	rw	Timer T5 Clear Enable Bit 0 _B Timer T5 is not cleared on a capture event 1 _B Timer T5 is cleared on a capture event
T5SC	15	rw	Timer T5 Capture Mode Enable 0 _B Capture into register CAPREL disabled 1 _B Capture into register CAPREL enabled

- 1) See [Table 85](#) for encoding of bits T5UD and T5UDE.
- 2) To define the respective trigger source signal, also bit CT3 must be regarded (see [Table 81](#)).
- 3) Rising edge must be selected if capturing is triggered by the internal GPT1 read signals (see register PISEL and **“Combined Capture Modes”** on [Page 375](#)).

Encoding of Timer Count Direction Control

Table 85 GPT2 Timer Count Direction Control

Pin TxEUD	Bit TxUDE	Bit TxUD	Count Direction
X	0	0	Count Up
X	0	1	Count Down
0	1	0	Count Up
1	1	0	Count Down
0	1	1	Count Down
1	1	1	Count Up

Timer Mode and Gated Timer Mode: Encoding of Overall Prescaler Factor

Table 86 GPT2 Overall Prescaler Factors for Internal Count Clock (Timer Mode and Gated Timer Mode)

Individual Prescaler for Tx	Common Prescaler for Module Clock ¹⁾			
	BPS2 = 01 _B	BPS2 = 00 _B	BPS2 = 11 _B	BPS2 = 10 _B
Txl = 000 _B	2	4	8	16
Txl = 001 _B	4	8	16	32
Txl = 010 _B	8	16	32	64
Txl = 011 _B	16	32	64	128
Txl = 100 _B	32	64	128	256
Txl = 101 _B	64	128	256	512
Txl = 110 _B	128	256	512	1024
Txl = 111 _B	256	512	1024	2048

1) Please note the non-linear encoding of bitfield BPS2.

Counter Mode: Encoding of Input Edge Selection

Table 87 GPT2 Core Timer T6 Input Edge Selection (Counter Mode)

T6I	Triggering Edge for Counter Increment/Decrement
000 _B	None. Counter T6 is disabled
001 _B	Positive transition (rising edge) on T6IN
010 _B	Negative transition (falling edge) on T6IN
011 _B	Any transition (rising or falling edge) on T6IN
1XX _B	Reserved. Do not use this combination

Table 88 GPT2 Auxiliary Timer T5 Input Edge Selection (Counter Mode)

T5I	Triggering Edge for Counter Increment/Decrement
X00 _B	None. Counter T5 is disabled
001 _B	Positive transition (rising edge) on T5IN
010 _B	Negative transition (falling edge) on T5IN
011 _B	Any transition (rising or falling edge) on T5IN
101 _B	Positive transition (rising edge) of T6 toggle latch T6OTL
110 _B	Negative transition (falling edge) of T6 toggle latch T6OTL
111 _B	Any transition (rising or falling edge) of T6 toggle latch T6OTL

15.4.8.3 GPT2 Timer and CAPREL Interrupt Control Registers

The Interrupt control register for GPT2 and CAPREL are located in the SCU. [GPT12IEN](#) and SCU. [GPT12IRC](#).

15.5 Miscellaneous GPT12 Registers

The following registers are not assigned to a specific timer block. They control general functions and/or give general information.

Register PISEL selects timer input signal from several sources under software control.

PISEL

Port Input Select Register

(04_H)

Reset Value: 0000_H

15	14	13	12	11	10	9	8	7	6	5	4	3	2	1	0
ISCAPIN	IST6 EUD	IST6 IN	IST5 EUD	IST5 IN	IST4EUD	IST4IN	IST3EUD	IST3IN	IST2E UD	IST2 IN					
rw	rw	rw	rw	rw	rw	rw	rw	rw	rw	rw	rw	rw	rw	rw	rw

Field	Bits	Typ	Description
IST2IN	0	rw	Input Select for T2IN 0 _B Signal T2INA is selected 1 _B Signal T2INB is selected
IST2EUD	1	rw	Input Select for T2EUD 0 _B Signal T2EUDA is selected 1 _B Signal T2EADB is selected
IST3IN	[3:2]	rw	Input Select for T3IN 00 _B Signal T3INA is selected 01 _B Signal T3INB is selected 10 _B Signal T3INC is selected 11 _B Signal T3IND is selected
IST3EUD	[5:4]	rw	Input Select for T3EUD 00 _B Signal T3EUDA is selected 01 _B Signal T3EADB is selected 10 _B Signal T3EUDC is selected 11 _B Signal T3EUDD is selected
IST4IN	[7:6]	rw	Input Select for T4IN 00 _B Signal T4INA is selected 01 _B Signal T4INB is selected 10 _B Signal T4INC is selected 11 _B Signal T4IND is selected
IST4EUD	[9:8]	rw	Input Select for T4EUD 00 _B Signal T4EUDA is selected 01 _B Signal T4EADB is selected 10 _B Signal T4EUDC is selected 11 _B Signal T4EUDD is selected
IST5IN	10	rw	Input Select for T5IN 0 _B Signal T5INA is selected 1 _B Signal T5INB is selected
IST5EUD	11	rw	Input Select for T5EUD 0 _B Signal T5EUDA is selected 1 _B Signal T5EADB is selected

General Purpose Timer Units (GPT12)

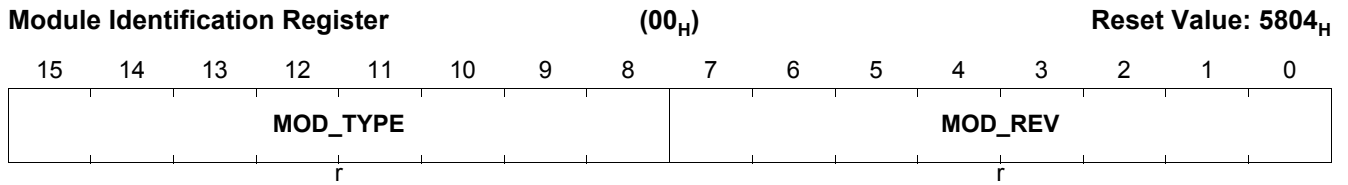
Field	Bits	Typ	Description
IST6IN	12	rw	Input Select for T6IN 0 _B Signal T6INA is selected 1 _B Signal T6INB is selected
IST6EUD	13	rw	Input Select for T6EUD 0 _B Signal T6EUDA is selected 1 _B Signal T6EUDB is selected
ISCAPIN	[15:14]	rw	Input Select for CAPIN 00 _B Signal CAPINA is selected 01 _B Signal CAPINB is selected P0.3 if MODPISEL1 .GPT12CAPINB = 0 10 _B Signal CAPINC (Read trigger from T3) is selected 11 _B Signal CAPIND (Read trigger from T2 or T3 or T4) is selected

Note: PISEL's reset value represents the connections available in previous versions.

General Purpose Timer Units (GPT12)

Register ID indicates the module version.

ID



Field	Bits	Type	Description
MOD_REV	[7:0]	r	Module Revision Number MOD_REV defines the revision number. The value of a module revision starts with 01 _H (first revision).
MOD_TYPE	[15:8]	r	Module Identification Number This bitfield defines the module identification number (58 _H = GPT12E).

15.6 Register Map

Table 89 Registers Address Space

Module	Base Address	End Address	Note
GPT12E	40010000 _H	40013FFF _H	

Table 90 shows all registers which are required for programming of the GPT12E module. It summarizes the GPT12E kernel registers and the module external registers and defines their addresses and reset values.

Table 90 GPT12E Module Register Summary

Name	Description	GPT12 Offset Address ¹⁾	Reset Value
General Purpose Timer Unit (GPT12E)			
ID	GPT12E Module ID Register	00 _H	5804 _H
PISEL	Input Signal Selection	04 _H	0000 _H
T2CON	GPT12E Timer T2 Control Register	08 _H	0000 _H
T3CON	GPT12E Timer T3 Control Register	0C _H	0000 _H
T4CON	GPT12E Timer T4 Control Register	10 _H	0000 _H
T5CON	GPT12E Timer T5 Control Register	14 _H	0000 _H
T6CON	GPT12E Timer T6 Control Register	18 _H	0000 _H
CAPREL	GPT12E Capture/Reload Register	1C _H	0000 _H
T2	GPT12E Timer T2 Register	20 _H	0000 _H
T3	GPT12E Timer T3 Register	24 _H	0000 _H
T4	GPT12E Timer T4 Register	28 _H	0000 _H
T5	GPT12E Timer T5 Register	2C _H	0000 _H
T6	GPT12E Timer T6 Register	30 _H	0000 _H

1) The absolute register address is calculated as follows:
Module Base Address + Offset Address (shown in this column)

15.7 Implementation of the GPT12 Module

This chapter describes the implementation of the GPT12 module in the TLE9868QXB20 device.

15.7.1 Module Connections

Besides the described intra-module connections, the timer unit blocks GPT1 and GPT2 are connected to their environment in two basic ways:

- **Internal connections** interface the timers with on-chip resources such as clock generation unit, interrupt controller, or other timers.

The GPT module is clocked with the TLE9868QXB20 system clock, so $f_{GPT} = f_{SYS}$.

- **External connections** interface the timers with external resources via port pins.

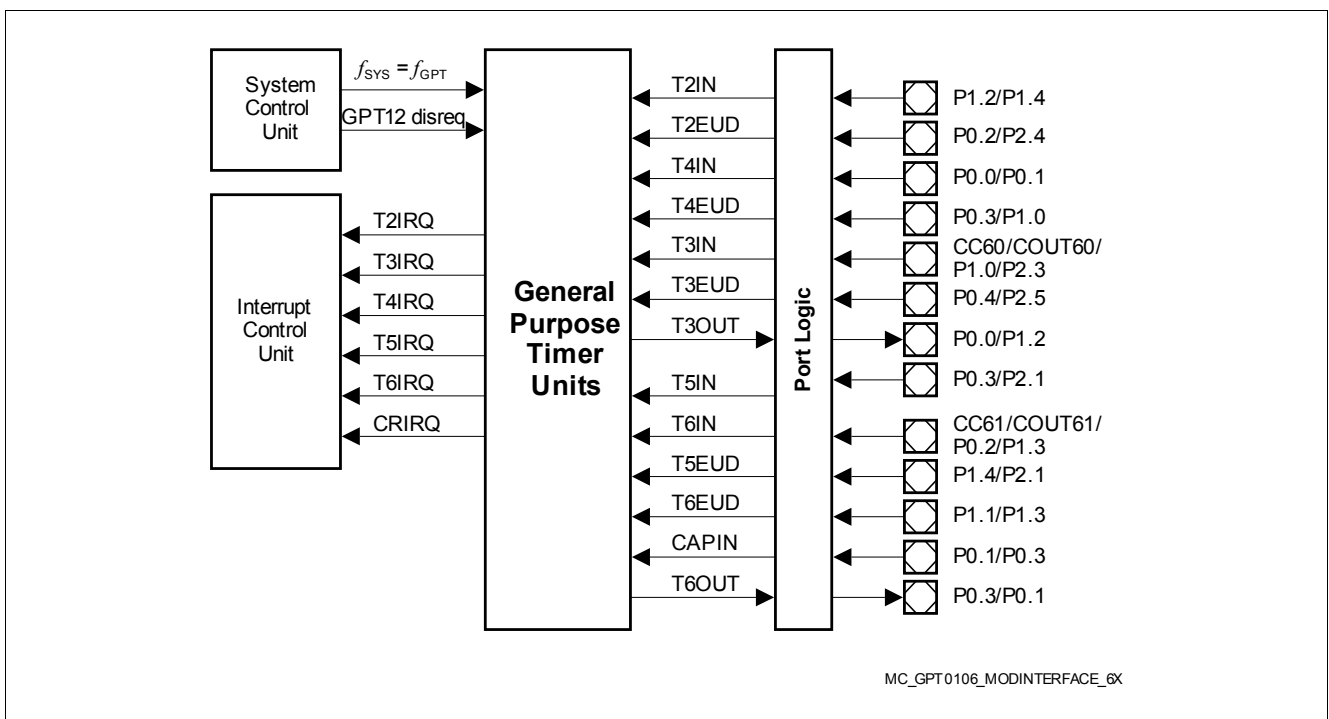


Figure 93 GPT Module Interfaces

The following table **Table 91** (GPT12) shows the digital connections of the GPT12 module with other modules or pins in the TLE9868QXB20 device.

Table 91 GPT12 Digital Connections in TLE9868QXB20

Signal	from/to Module	I/O to GPT	Can be used to/as
T2INA	P1.2	I	count input signals for timer T2
T2INB	P1.4	I	
T2EUDA	P0.2	I	direction input signals for timer T2
T2EUSB	P2.4	I	
T2IRQ	ICU/SCU	O	interrupt request from timer T2
T3INA	CC60	I	count input signals for timer T3
T3INB	GPT12PISEL	I	
T3INC	P1.0	I	
T3IND	MON	I	

General Purpose Timer Units (GPT12)

Table 91 GPT12 Digital Connections in TLE9868QXB20 (cont'd)

Signal	from/to Module	I/O to GPT	Can be used to/as
T3EUDA	P0.4	I	direction input signals for timer T3
T3EUDB	P2.5	I	
T3EUDC		I	
T3EUDD		I	
T3OUT	P0.0	O	count output signal for timer T3
	P1.2	O	
T3IRQ	ICU/SCU	O	interrupt request from timer T3
T4INA	P0.0	I	count input signals for timer T4
T4INB	CC60	I	
T4INC	P0.1	I	
T4IND	GPT12PISEL	I	
T4EUDA	P0.3	I	direction input signals for timer T4
T4EUDB	P1.0	I	
T4EUDC		I	
T4EUDD		I	
T4IRQ	ICU/SCU	O	interrupt request from timer T4
T5INA	P0.3	I	count input signals for timer T5
T5INB	P2.1	I	
T5EUDA	P1.4	I	direction input signals for timer T5
T5EUDB	P2.1	I	
T5IRQ	ICU/SCU	O	interrupt request from timer T5
T6INA	P0.2	I	count input signals for timer T6
T6INB	P1.3	I	
T6EUDA	P1.1	I	direction input signals for timer T6
T6EUDB	P1.3	I	
T6OUT	P0.3	O	count output signal for timer T6
	P0.1	O	
T6IRQ	ICU/SCU	O	interrupt request from timer T6
T6OFL		O	over/under-flow signal from timer T6
CAPINA	P0.1	I	input capture signals
CAPINB	P0.3	I	
CAPINC	read trigger from T3	I	
CAPIND	read trigger from T2 or T3 or T4	I	
CRIRQ	ICU/SCU	O	interrupt request from capture control

Port Control

Port pins to be used for timer input signals must be switched to input (bitfield PC in the respective port control register must be 0xxx_B) and must be selected via register PISEL.

Port pins to be used for timer output signals must be switched to output and the alternate timer output signal must be selected (bitfield PC in the respective port control register must be 1xxx_B).

Note: For a description of the port control registers, please refer to chapter "Parallel Ports".

Interrupts

The GPT12 has six interrupt request lines.

Interrupt nodes to be used for timer interrupt requests must be enabled and programmed to a specific interrupt level.

Debug Details

While the module GPT is disabled, its registers can still be read. While disabled the following registers can be written: PISEL, T5CON.

16 Timer2 and Timer21

This chapter describes the Timer2 and Timer21. Each timer is a 16-bit timer which additionally can function as a counter. Each Timer 2 module also provides a single channel 16-bit capture.

16.1 Features

- 16-bit auto-reload mode
 - selectable up or down counting
- One channel 16-bit capture mode

16.2 Introduction

The timer modules are general-purpose 16-bit timers. Timer 2/21 can function as a timer or counter in each of its modes. As a timer, it counts with an input clock of $f_{PCLK}/12$ (if prescaler is disabled). As a counter, Timer 2 counts 1-to-0 transitions on pin T2. In the counter mode, the maximum resolution for the count is $f_{PCLK}/24$ (if prescaler is disabled).

Note: "Timer 2" is generally referred in the following description which is applicable to each of the Timer2 and Timer21.

16.2.1 Timer2 and Timer21 Modes Overview

Table 92 Timer2 and Timer21 Modes

Mode	Description
Auto-reload	Up/Down Count Disabled <ul style="list-style-type: none"> • Count up only • Start counting from 16-bit reload value, overflow at $FFFF_H$ • Reload event configurable for trigger by overflow condition only, or by negative/positive edge at input pin T2EX as well • Programmable reload value in register RC2 • Interrupt is generated with reload events.

Table 92 Timer2 and Timer21 Modes (cont'd)

Mode	Description
Auto-reload	<p>Up/Down Count Enabled</p> <ul style="list-style-type: none"> • Count up or down, direction determined by level at input pin T2EX • No interrupt is generated • Count up <ul style="list-style-type: none"> – Start counting from 16-bit reload value, overflow at FFFF_H – Reload event triggered by overflow condition – Programmable reload value in register RC2 • Count down <ul style="list-style-type: none"> – Start counting from FFFF_H, underflow at value defined in register RC2 – Reload event triggered by underflow condition – Reload value fixed at FFFF_H
Channel capture	<ul style="list-style-type: none"> • Count up only • Start counting from 0000_H, overflow at FFFF_H • Reload event triggered by overflow condition • Reload value fixed at 0000_H • Capture event triggered by falling/rising edge at pin T2EX • Captured timer value stored in register RC2 • Interrupt is generated by reload or capture events

Timer 2 can be started by using TR2 bit by hardware or software. Timer 2 can be started by setting TR2 bit by software. If bit T2RHEN is set, Timer 2 can be started by hardware. Bit T2REGS defines the event on pin T2EX: falling edge or rising edge, that can set the run bit TR2 by hardware. Timer 2 can only be stopped by resetting TR2 bit by software.

16.3 Functional Description

16.3.1 Auto-Reload Mode

The auto-reload mode is selected when the bit CP_RL2 in register **T2CON** is zero. In the auto-reload mode, Timer 2 counts to an overflow value and then reloads its register contents with a 16-bit start value for a fresh counting sequence. The overflow condition is indicated by setting bit TF2 in the **T2CON** register. This will then generate an interrupt request to the core. The overflow flag TF2 must be cleared by software.

The auto-reload mode is further classified into two categories depending upon the DCEN control bit.

16.3.1.1 Up/Down Count Disabled

If DCEN = 0, the up-down count selection is disabled. The timer, therefore, functions as a pure up counter/timer only. The operational block diagram is shown in **Figure 94**.

In this mode, if EXEN2 = 0, the timer starts to count up to a maximum of FFFF_H, once TR2 is set. Upon overflow, bit TF2 is set and the timer register is reloaded with the 16-bit reload value of the RC2 register. This reload value is chosen by software, prior to the occurrence of an overflow condition. A fresh count sequence is started and the timer counts up from this reload value as in the previous count sequence.

If EXEN2 = 1, the timer counts up to a maximum of FFFF_H once TR2 is set. A 16-bit reload of the timer registers from register RC2 is triggered either by an overflow condition or by a negative/positive edge (chosen by T2MOD.EDGESEL) at input pin T2EX. If an overflow caused the reload, the overflow flag TF2 is set. If a negative/positive transition at pin T2EX caused the reload, bit EXF2 is set. In either case, an interrupt is generated

to the core and the timer proceeds to its next count sequence. The EXF2 flag, similar to the TF2, must be cleared by software.

If bit T2RHEN is set, Timer 2 is started by first falling edge/rising edge at pin T2EX, which is defined by bit T2REGS. If bit EXEN2 is set, bit EXF2 is also set at the same point when Timer2 is started with the same falling edge/rising edge at pin T2EX, which is defined by bit EDGESEL. The reload will happen with the following negative/positive transitions at pin T2EX, which is defined by bit EDGESEL.

Note: In counter mode, if the reload via T2EX and the count clock T2 are detected simultaneously, the reload takes precedence over the count. The counter increments its value with the following T2 count clock.

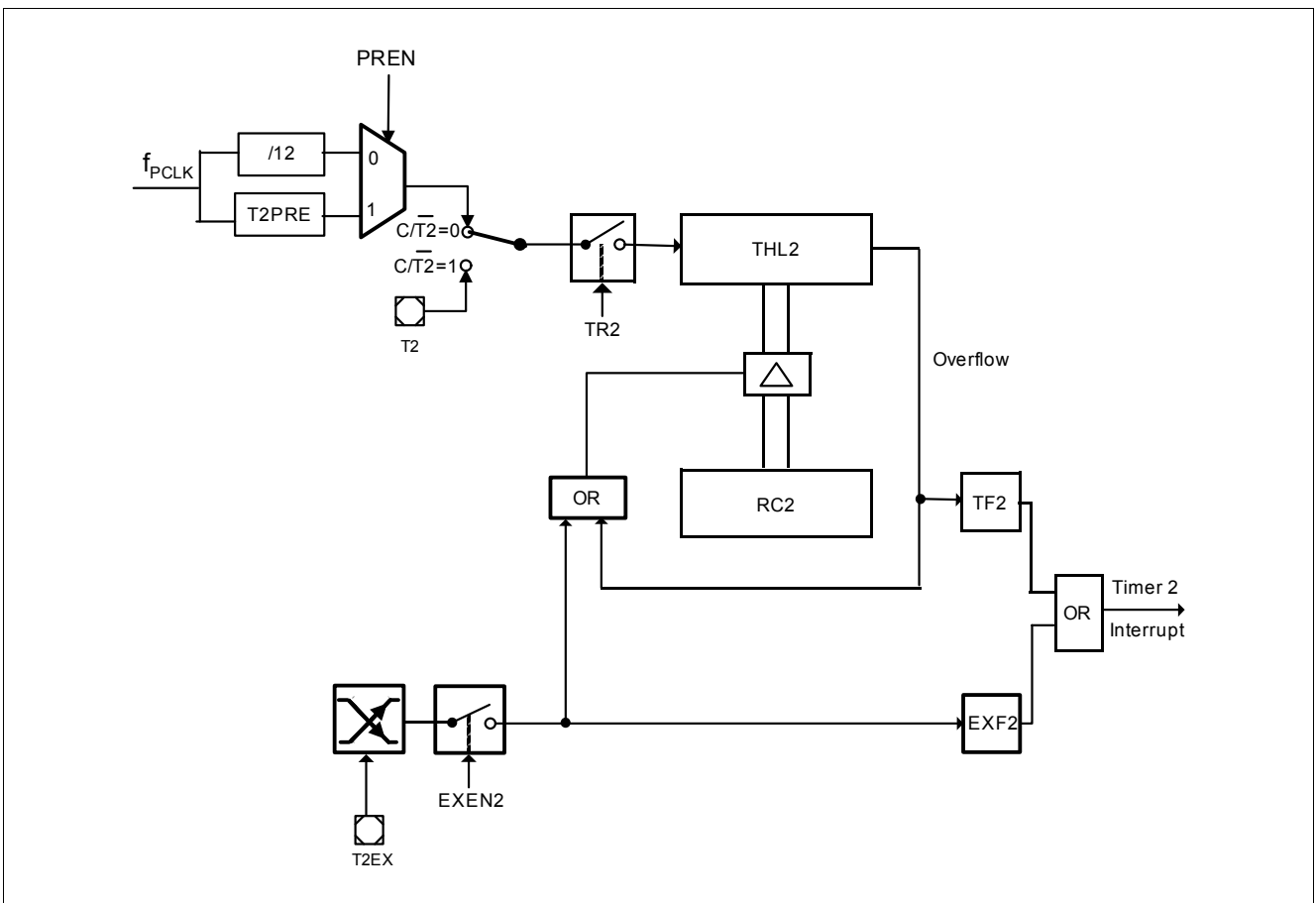


Figure 94 Auto-Reload Mode (DCEN = 0)

16.3.1.2 Up/Down Count Enabled

If DCEN = 1, the up-down count selection is enabled. The direction of count is determined by the level at input pin T2EX. The operational block diagram is shown in **Figure 95**.

A logic 1 at pin T2EX sets the Timer 2 to up counting mode. The timer, therefore, counts up to a maximum of $FFFF_H$. Upon overflow, bit TF2 is set and the timer register is reloaded with a 16-bit reload value of the RC2 register. A fresh count sequence is started and the timer counts up from this reload value as in the previous count sequence. This reload value is chosen by software, prior to the occurrence of an overflow condition.

A logic 0 at pin T2EX sets the Timer 2 to down counting mode. The timer counts down and underflows when the THL2 value reaches the value stored at register RC2. The underflow condition sets the TF2 flag and causes $FFFF_H$ to be reloaded into the THL2 register. A fresh down counting sequence is started and the timer counts down as in the previous counting sequence.

If bit T2RHEN is set, Timer 2 can only be started either by rising edge (T2REGS = 1) at pin T2EX and then do the up counting, or be started by falling edge (T2REGS = 0) at pin T2EX and then do the down counting.

In this mode, bit EXF2 toggles whenever an overflow or an underflow condition is detected. This flag, however, does not generate an interrupt request.

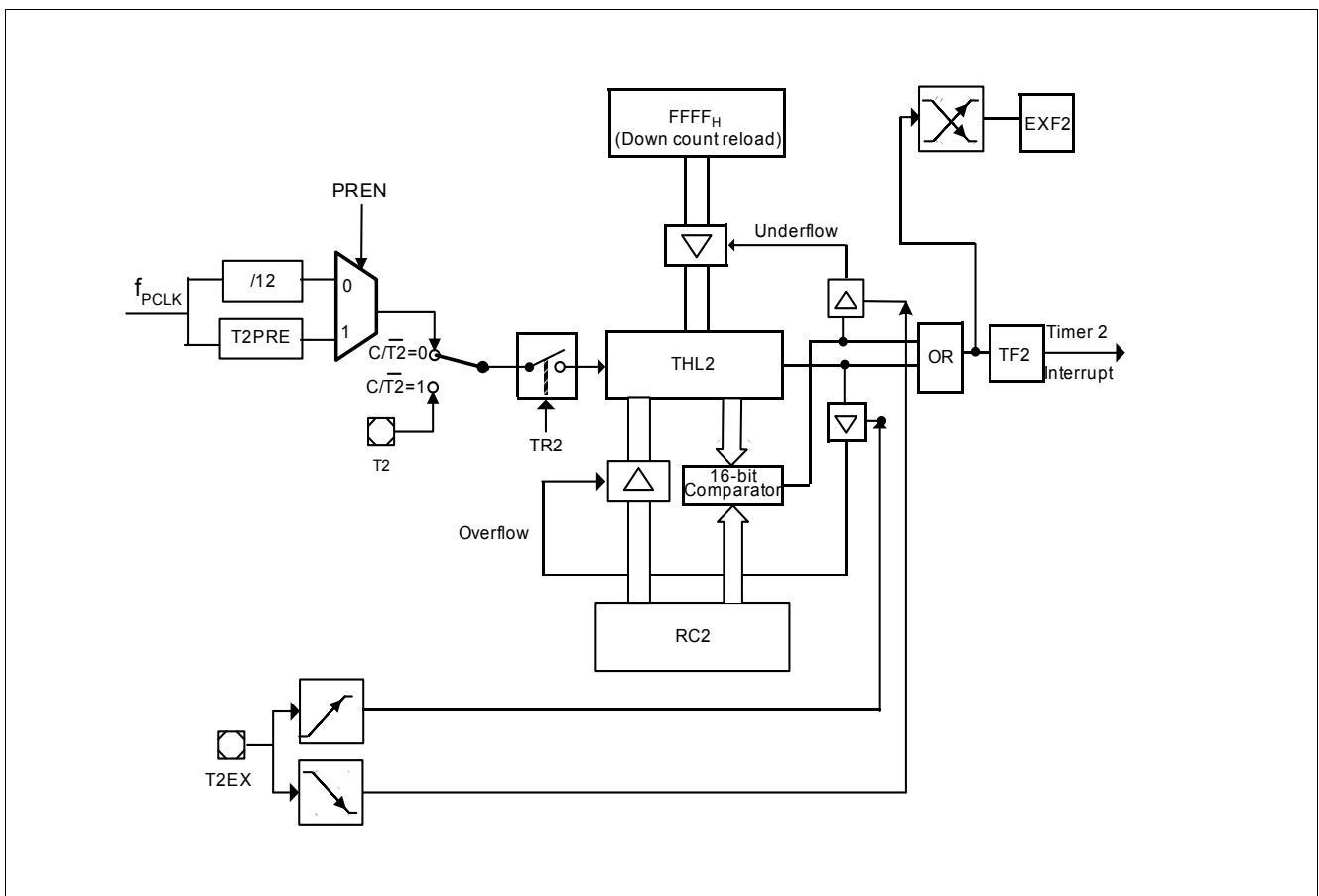


Figure 95 Auto-Reload Mode (DCEN = 1)

16.3.2 Capture Mode

In order to enter the 16-bit capture mode, bits CP_RL2 and EXEN2 in register **T2CON** must be set. In this mode, the down count function must remain disabled. The timer functions as a 16-bit timer or counter and always counts up to FFFF_H and overflows. Upon an overflow condition, bit TF2 is set and the timer reloads its registers with 0000_H. The setting of TF2 generates an interrupt request to the core.

Additionally, with a falling/rising edge on pin T2EX (chosen by T2MOD.EDGESEL) the contents of the timer register (THL2) are captured into the RC2 register. The external input is sampled in every PCLK cycle. When a sampled input shows a low (high) level in one PCLK cycle and a high (low) in the next PCLK cycle, a transition is recognized. If the capture signal is detected while the counter is being incremented, the counter is first incremented before the capture operation is performed. This ensures that the latest value of the timer register is always captured.

If bit T2RHEN is set, Timer 2 is started by first falling edge/rising edge at pin T2EX, which is defined by bit T2REGS. If bit EXEN2 is set, bit EXF2 is also set at the same point when Timer2 is started with the same falling edge/rising edge at pin T2EX, which is defined by bit EDGESEL. The capture will happen with the following negative/positive transitions at pin T2EX, which is defined by bit EDGESEL.

When the capture operation is completed, bit EXF2 is set and can be used to generate an interrupt request. **Figure 96** describes the capture function of Timer 2.

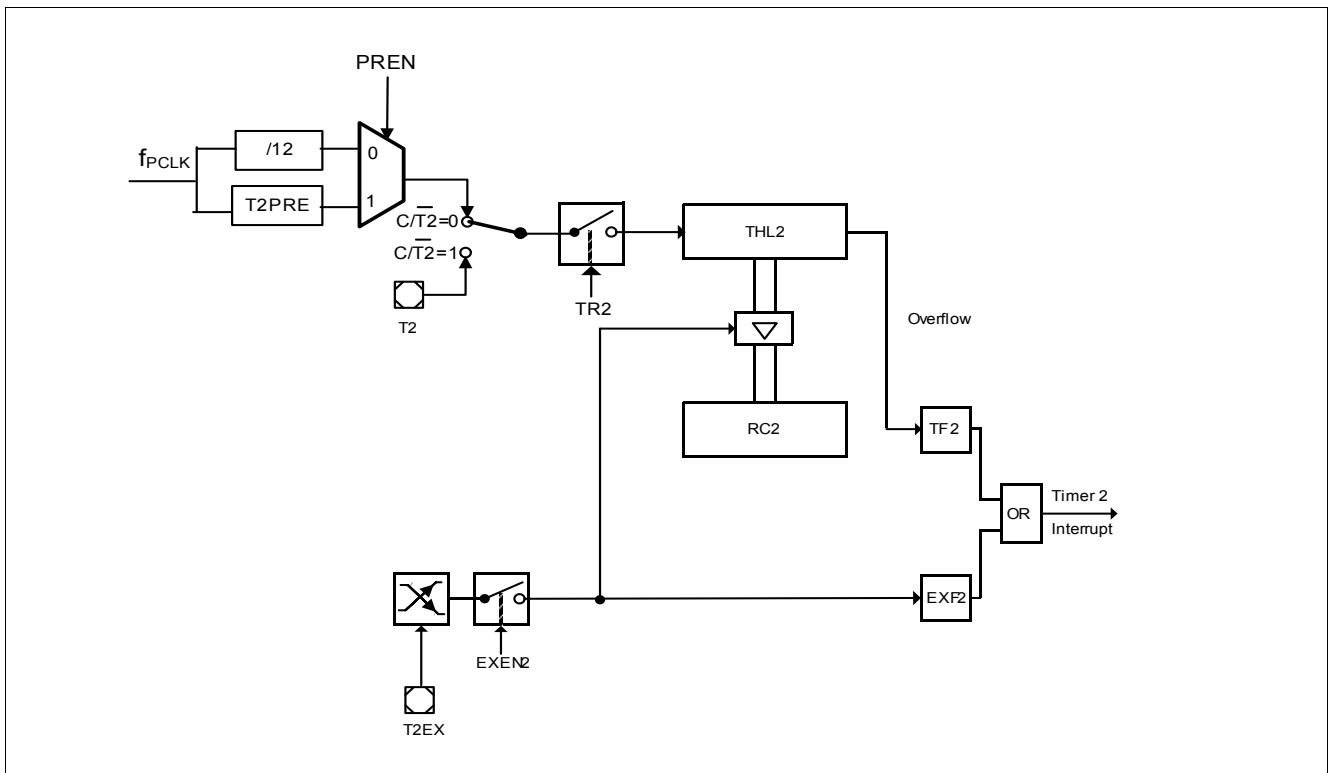


Figure 96 Capture Mode

16.3.3 Count Clock

The count clock for the auto-reload mode is chosen by the bit C_T2 in register **T2CON**. If C_T2 = 0, a count clock of PCLK/12 (if prescaler is disabled) is used for the count operation.

If C_T2 = 1, Timer 2 behaves as a counter that counts 1-to-0 transitions of input pin T2. The counter samples pin T2 over 2 PCLK cycles. If a 1 was detected during the first clock and a 0 was detected in the following clock, then the counter increments by one. Therefore, the input levels should be stable for at least 1 clock.

If bit T2RHEN is set, Timer 2 can be started by the falling edge/rising edge on pin T2EX, which is defined by bit T2REGS.

Note: If pin T2 is not connected, counting clock function on pin T2 cannot be used.

16.4 Module Interfaces

This section describes:

- the TLE9868QXB20 module related interfaces such as port connections and interrupt control
- all TLE9868QXB20 module related registers with their addresses

16.4.1 Interfaces of the Timer2 and Timer21

Overviews of the Timer2 and Timer21 kernel I/O interfaces and interrupt signals are shown in [Figure 97](#) and [Figure 98](#).

Timer2 and Timer21 can be suspended when Debug Mode enters Monitor Mode and has the Debug Suspend signal activated, provided the timer suspend bits, T2SUSP and T21SUSP (in SCU SFR MODSUSP) are set. Refer to SCU chapter.

The interrupt request of the Timer2 and Timer21 is not connected directly to the CPU's Interrupt Controller, but via the System Control Unit (SCU). The General Purpose IO (GPIO) Port provides the interface from the Timer2 and Timer21 to the external world.

The external trigger and counter inputs of the two Timer 2 modules can be selected from several different sources. This selection is performed by the SCU via the corresponding input control and select bits in SFR MODPISEL1 and MODPISEL2.

In the TLE9868QXB20, Timer2 and Timer21 allow additionally to trigger ADC1 conversions through the t2(1)_adc_trigger signals. These trigger signals are generated while the timer is working in timer mode (C_T2 = 0).

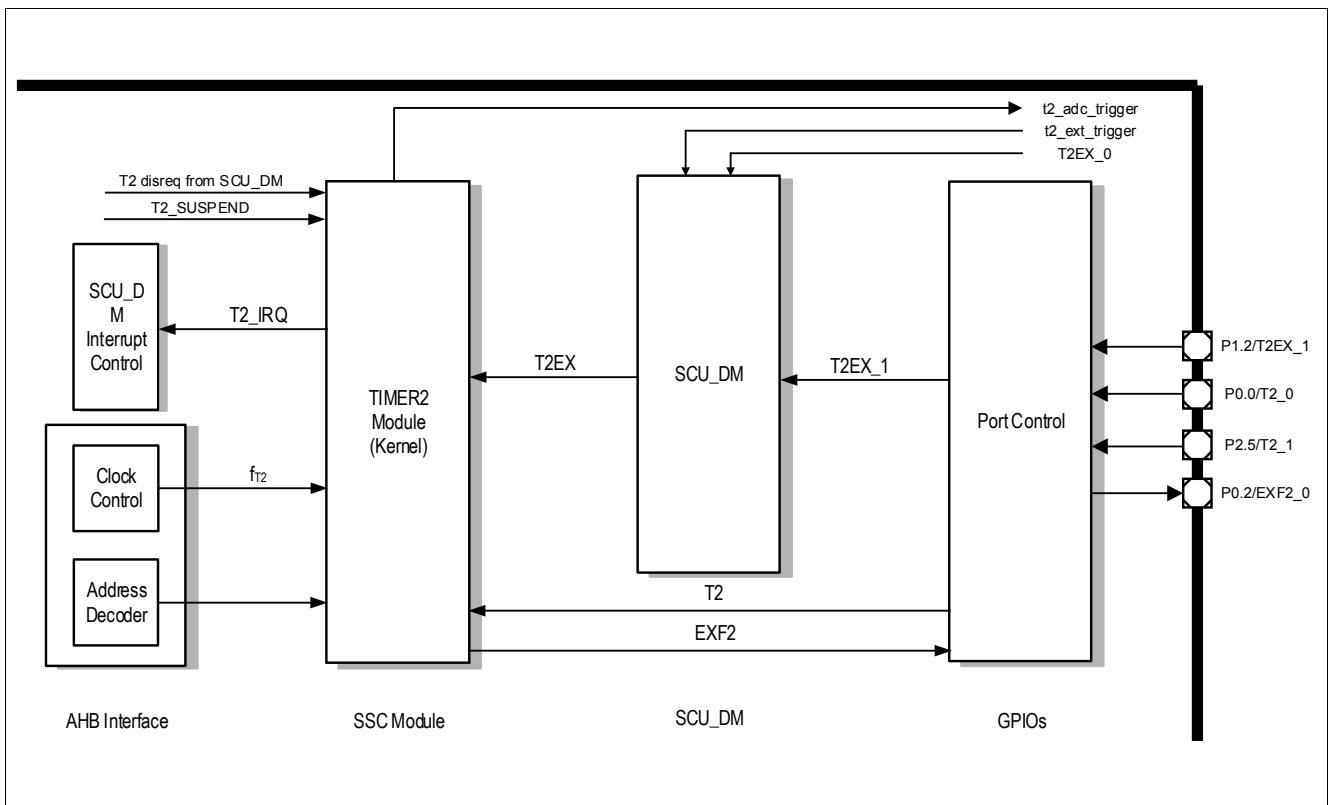


Figure 97 Timer 2 Module I/O Interface

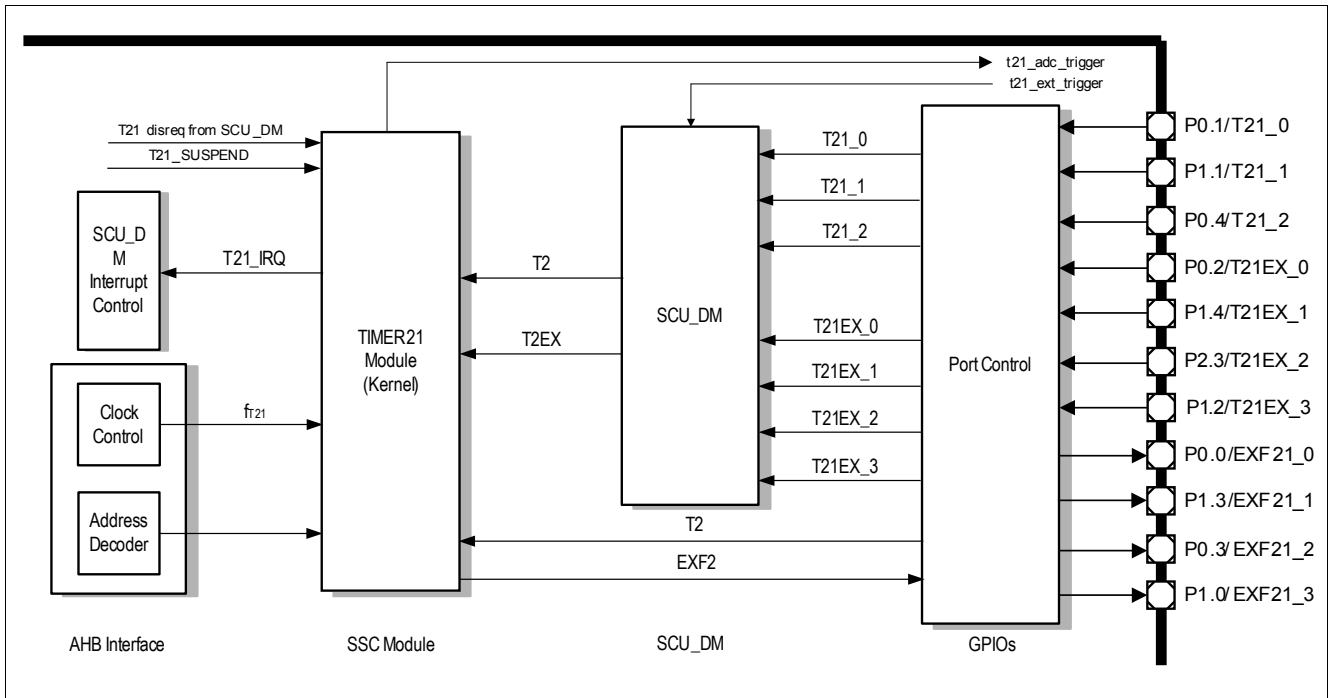


Figure 98 Timer 21 Module I/O Interface

16.5 Interrupt Generation

When an interrupt event happened, the corresponding interrupt flag bit EXF2/TF2 is set; an interrupt for the interrupt event EXF2/TF2 will be generated.

*Note: When the timer/counter is stopped and while the module remains enabled, it is possible for an external event at T2EX to generate an interrupt. For this to occur, bit EXEN2 in SFR **T2CON** must be set. In this case, a dummy reload or capture happens depending on the CP_RL2 bit selection. The resulting interrupt could therefore be used in the product as an external falling/rising edge triggered interrupt.*

16.6 Register Definition

16.6.1 Timer 2 Registers

All Timer2 and Timer21 register names described in the following sections will be referenced in other chapters with the module name prefix “T2_” and “T21_”, respectively.

16.6.1.1 Mode Register

The T2MOD is used to configure Timer 2 for various modes of operation.

T2MOD

Timer 2 Mode Register

(04_H)

Reset Value: 00_H

7	6	5	4	3	2	1	0
T2REGS	T2RHEN	EDGESEL	PREN	T2PRE		DCEN	
rw	rw	rw	rw	rw		rw	

Field	Bits	Type	Description
DCEN	0	rw	Up/Down Counter Enable 0 _B Up/Down Counter function is disabled 1 _B Up/Down Counter function is enabled and controlled by pin T2EX (Up = 1, Down = 0)
T2PRE	3:1	rw	Timer 2 Prescaler Bit Selects the input clock for Timer 2 which is derived from the peripheral clock. 000 _B $f_{T2} = f_{PCLK}$ 001 _B $f_{T2} = f_{PCLK} / 2$ 010 _B $f_{T2} = f_{PCLK} / 4$ 011 _B $f_{T2} = f_{PCLK} / 8$ 100 _B $f_{T2} = f_{PCLK} / 16$ 101 _B $f_{T2} = f_{PCLK} / 32$ 110 _B $f_{T2} = f_{PCLK} / 64$ 111 _B $f_{T2} = f_{PCLK} / 128$
PREN	4	rw	Prescaler Enable 0 _B Prescaler is disabled and the by12-divider takes effect. 1 _B Prescaler is enabled (see T2PRE bit) and the by 12 divider is bypassed.
EDGESEL	5	rw	Edge Select in Capture Mode/Reload Mode 0 _B The falling edge at Pin T2EX is selected. 1 _B The rising edge at Pin T2EX is selected.
T2RHEN	6	rw	Timer 2 External Start Enable 0 _B Timer 2 External Start is disabled. 1 _B Timer 2 External Start is enabled.
T2REGS	7	rw	Edge Select for Timer 2 External Start 0 _B The falling edge at Pin T2EX is selected. 1 _B The rising edge at Pin T2EX is selected.

16.6.1.2 Control Register

Control register is used to control the operating modes and interrupt of Timer 2.

T2CON

Timer 2 Control Register

(00_H)

Reset Value: 00_H

7	6	5	4	3	2	1	0
TF2	EXF2	Res	Res	EXEN2	TR2	C_T2	CP_RL2
r	r	r	r	rw	rwh	rw	rw

Field	Bits	Type	Description
CP_RL2	0	rw	Capture/Reload Select 0 _B Reload upon overflow or upon negative/positive transition at pin T2EX (when EXEN2 = 1). 1 _B Capture Timer 2 data register contents on the negative/positive transition at pin T2EX, provided EXEN2 = 1. The negative or positive transition at Pin T2EX is selected by bit EDGESEL.
C_T2	1	rw	Timer or Counter Select 0 _B Timer function selected. 1 _B Count upon negative edge at pin T2.
TR2	2	rwh	Timer 2 Start/Stop Control 0 _B Stop Timer 2. 1 _B Start Timer 2.
EXEN2	3	rw	Timer 2 External Enable Control 0 _B External events are disabled. 1 _B External events are enabled in Capture/Reload Mode.
Res	4:5	r	Reserved Returns 0 if read; should be written with 0.
EXF2	6	r	Timer 2 External Flag In Capture/Reload Mode, this bit is set by hardware when a negative/positive transition occurs at pin T2EX, if bit EXEN2 = 1. This bit must be cleared by software. <i>Note: When bit DCEN = 1 in auto-reload mode, no interrupt request to the core is generated.</i>
TF2	7	r	Timer 2 Overflow/Underflow Flag Set by a Timer 2 overflow/underflow. Must be cleared by software.

T2ICLR

Timer 2 Interrupt Clear Register

(1C_H)

Reset Value: 00_H

7	6	5	4	3	2	1	0
TF2CLR	EXF2CLR	Res					
w	w	r					

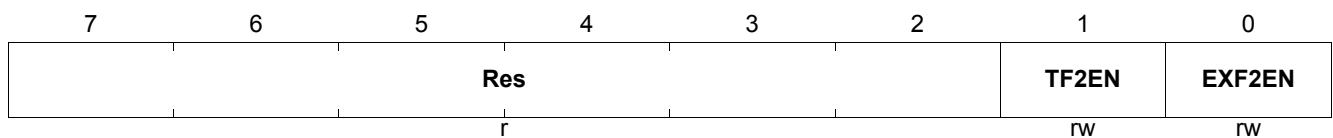
Field	Bits	Type	Description
Res	5:0	r	Reserved Returns 0 if read; should be written with 0.
EXF2CLR	6	w	External Interrupt Clear Flag 0 _B External interrupt is not cleared. 1 _B External interrupt is cleared.
TF2CLR	7	w	Overflow/Underflow Interrupt Clear Flag 0 _B Overflow/underflow interrupt is not cleared. 1 _B Overflow/underflow interrupt is cleared.

T2CON1

Timer 2 Control Register 1

(18_H)

Reset Value: 03_H



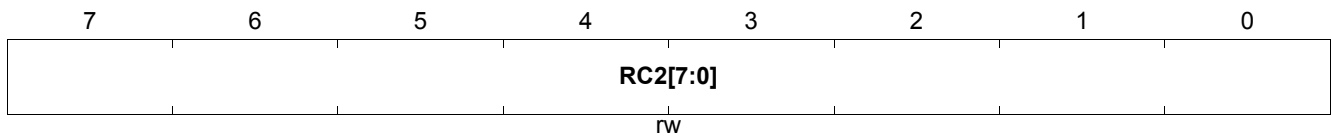
Field	Bits	Type	Description
EXF2EN	0	rw	External Interrupt Enable 0 _B External interrupt is disabled. 1 _B External interrupt is enabled.
TF2EN	1	rw	Overflow/Underflow Interrupt Enable 0 _B Overflow/underflow interrupt is disabled. 1 _B Overflow/underflow interrupt is enabled.
Res	7:2	r	Reserved Returns 0 if read; should be written with 0.

16.6.1.3 Timer 2 Reload/Capture Register

The RC2 register is used for a 16-bit reload of the timer count upon overflow or a capture of current timer count depending on the mode selected.

RC2L

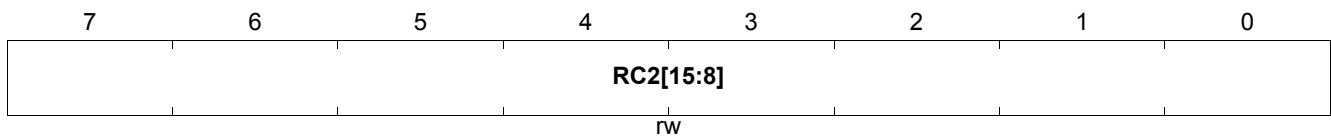
Timer 2 Reload/Capture Register, Low Byte (08_H) Reset Value: 00_H



Field	Bits	Type	Description
RC2	[7:0]	rw	Reload/Capture Value <i>Note:</i> Reload/Capture Value can be set by software (highest priority) and is updated by hardware during capture mode. These contents are loaded into the timer register upon an overflow condition, if CP_RL2 = 0. If CP_RL2 = 1, this register is loaded with the current timer count upon a negative/positive transition at pin T2EX when EXEN2 = 1.

RC2H

Timer 2 Reload/Capture Register, High Byte (0C_H) Reset Value: 00_H



Field	Bits	Type	Description
RC2	[7:0]	rw	Reload/Capture Value <i>Note:</i> Reload/Capture Value can be set by software (highest priority) and is updated by hardware during capture mode. These contents are loaded into the timer register upon an overflow condition, if CP_RL2 = 0. If CP_RL2 = 1, this register is loaded with the current timer count upon a negative/positive transition at pin T2EX when EXEN2 = 1.

16.6.1.4 Timer 2 Count Register

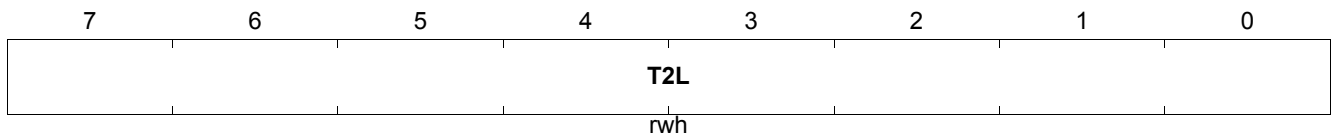
The T2L/T2H register holds the current 16-bit value of the Timer 2 count.

T2L

Timer 2, Low Byte

(10_H)

Reset Value: 00_H



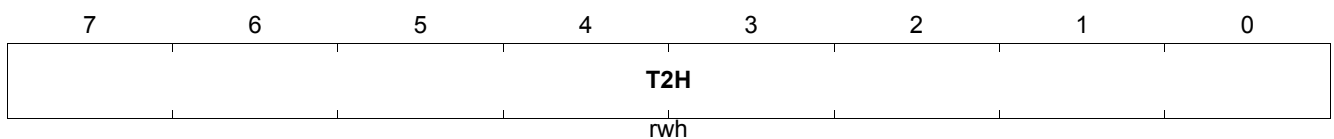
Field	Bits	Type	Description
T2L	[7:0]	rwh	Timer 2 Value These bits indicate the current timer value T2[7:0]. <i>Note:</i> Timer 2 can be updated of software (highest priority) and is updated by hardware if T2R is set

T2H

Timer 2, High Byte

(14_H)

Reset Value: 00_H



Field	Bits	Type	Description
T2H	[7:0]	rw	Timer 2 Value These bits indicate the current timer value T2[15:8]. <i>Note:</i> Timer 2 can be updated of software (highest priority) and is updated by hardware if T2R is set

16.6.2 Register Map

There are two kernels in the TLE9868QXB20, namely Timer2 and Timer21. [Table 93](#) shows the Timer2 and Timer21 module base addresses.

[Table 94](#) lists the addresses of the Timer2 and Timer21 SFRs.

Table 93 Registers Address Space

Module	Base Address	End Address	Note
TIMER2	48004000 _H	48004FFF _H	
TIMER21	48005000 _H	48005FFF _H	

Table 94 Registers Overview Timer2 and Timer21

Register Short Name	Register Long Name	Offset Address	Page Number
T2CON	Timer 2 Control Register	00 _H	402
T2MOD	Timer 2 Mode Register	04 _H	401
RC2L	Timer 2 Reload/Capture Register, Low Byte	08 _H	404
RC2H	Timer 2 Reload/Capture Register, High Byte	0C _H	404
T2L	Timer 2, Low Byte	10 _H	405
T2H	Timer 2, High Byte	14 _H	405
T2CON1	Timer 2 Control Register 1	18 _H	403
T2ICLR	Timer 2 Interrupt Clear Register	1C _H	402

17 Timer3

17.1 Features

- 16-bit incremental timer/counter (counting up)
- Counting frequency up to f_{sys}
- Selectable clock prescaler
- 6 modes of operation
- Interrupt up on overflow
- Interrupt on compare

17.2 Introduction

The possible applications for the timer include measuring the time interval between events, counting events and generating a signal at regular intervals.

Timer3 can function as timer or counter. When functioning as a timer, Timer3 is incremented in periods based on the MI_CLK or LP_CLK clock. When functioning as a counter, Timer3 is incremented in response to a 1-to-0 transition (falling edge) at its respective input. Timer3 can be configured in four different operating modes to use in a variety of applications, see [Table 95](#).

Several operating modes can be used for different tasks such as the following:

- simple time measurement between two events
- triggering of the measuring unit upon PWM/CCU6 unit
- measurement of the 100kHz LP_CLK2

17.3 Functional Description

Six modes of operation are provided to fulfill various tasks using this timer. In every mode the clocking source can be selected between MI_CLK and LP_CLK. A prescaler provides in addition capability to divide the selected clock source by 2, 4 or 8. The clocking source and the prescaler can be set in the register [APCLK_CTRL2.T3CLK_DIV](#) (SCU). The timer counts upwards, starting with the value in the timer count registers, until the maximum count value which depends on the selected mode of operation. Timer 3 provides two individual interrupts upon counter overflow, one for the low-byte and one for the high-byte counter register. The run control of the Timer3 is controlled by software by setting the bits TR3L/TR3H in the register [CTRL](#). Some modes of operation are providing in addition to the software a run control triggered by various hardware sources coming from other modules within the device. Furthermore the Timer 3 provides a 16-bit compare register, [CMP](#). The compare register can be used by some operation modes to issue an overflow interrupt upon matching of the timer counter register to the compare register. The entire Timer 3 module will be enabled by resetting bit T3_DIS in the register [PMCON2](#).

Timer Overflow

When a timer overflow occurs, the timer overflow flag, [T3L_OVF_STS](#) or [T3H_OVF_STS](#), is set, and an interrupt may be raised if the interrupt enable control bit, in the System Control Unit-Power Management is set. The overflow flag has to be cleared when the interrupt service routine is entered.

*Note: When Timer3 operates in Mode 3, the Timer3 control bit **TR3L** is reserved for TL3 and **TR3H** is reserved for TH3. For details see in [Section 17.3.6](#).*

17.3.1 Timer3 Modes Overview

The Timer 3 provides six modes of operation, which are described in the following chapters. The six modes of operations are divided into four main modes. Some of the four main modes are further separated into sub-modes. The bit field T3M in the register **MODE_CONF** selects one out of the four main modes. The bit field T3_SUBM in the register **MODE_CONF** selects a sub-mode of the selected main mode, if applicable. The following table provides an overview of the timer modes together with the reasonable configuration options in **Table 95**.

When the bit **T3_PD_N** is set the timer is reset and the module clock gating is active (valid for all main operating modes).

Table 95 Timer3 Modes

Mode	Sub-Mode	Operation
0	No Sub-Mode	13-bit Timer The timer is essentially an 8-bit counter with a divide-by-32 prescaler.
1	a	16-bit Timer The timer registers, TL3 and TH3, are concatenated to form a 16-bit counter.
1	b	16-bit Timer triggered by an event The timer registers, TL3 and TH3, are concatenated to form a 16-bit counter, which is triggered by an event to enable a single shot measurement on a preset channel with the measurement unit.
2	No Sub-Mode	8-bit Timer with auto-reload The timer register TL3 is reloaded with a user-defined 8-bit value in TH3 upon overflow.
3	a	Timer3 operates as two 8-bit timers The timer registers TL3 and TH3, operate as two separate 8-bit counters.
3	b	Timer3 operates as Two 8-bit timers for clock measurement The timer registers, TL3 and TH3 operate as two separate 8-bit counters. In this mode the LP_CLK2 Low Power Clock can be measured. TL3 acts as an edge counter for the clock edges and TH3 as a counter which counts the time between the edges.

The modes are determined in **MODE_CONF**.

Table 96 Timer 3, List of Options

		0	1a	1b	2	3a	3b
Mode Config	T3M	0	1	1	2	3	3
	T3_SUBM	0	0	1	0	0	2
Run Control	TR3L	1	1	1	1	1	1
	TR3H	n/a	n/a	n/a	n/a	1	1

Table 96 Timer 3, List of Options (cont'd)

		0	1a	1b	2	3a	3b
Trigger Source	CCU6_CC60	n/a	n/a	1	n/a	n/a	n/a
	CCU6_CC61	n/a	n/a	1	n/a	n/a	n/a
	CCU6_CC62	n/a	n/a	1	n/a	n/a	n/a
	CCU6_PM	n/a	n/a	1	n/a	n/a	n/a
	CCU6_ZM	n/a	n/a	1	n/a	n/a	n/a
	CCU6_COUT60	n/a	n/a	1	n/a	n/a	n/a
	CCU6_COUT61	n/a	n/a	1	n/a	n/a	n/a
	CCU6_COUT62	n/a	n/a	1	n/a	n/a	n/a
	LP_CLK2	n/a	n/a	n/a	n/a	n/a	1
Interrupt Status	T3L_OVF_STS	1	1	1	1	1	1
	T3H_OVF_STS	1	1	n/a	0	1	1
Compare	Compare	0	0	1	1	0	1

17.3.2 Mode 0

Mode 0 implements a 13-bit-timer/counter compatible to the 8048 microcontroller. **HI** holds the upper 8 bits of the 13-bit timer value. **LO** holds the lower 5 bits of the 13-bit timer value. The bits **LO** [7:5] are not defined and should not be used in this mode of operation. An overflow will be generated by the transition of the timer value from 0x1FFF to 0x0000.

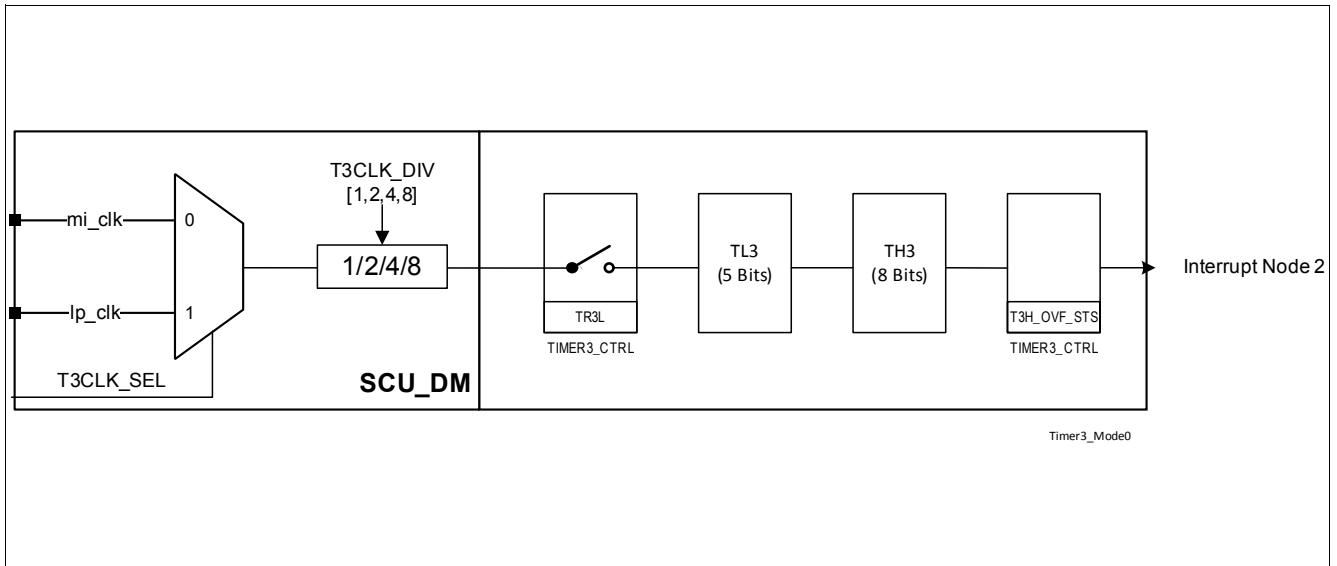


Figure 99 Timer3, Mode 0: 13-Bit Timer

17.3.3 Mode 1a

Mode 1a implements a 16-bit-timer/counter. TIMER3_HI holds the upper 8 bits while TIMER3_LO holds the lower 8 bits of the 16-bit timer value. An overflow will be generated by the transition of the timer value from 0xFFFF to 0x0000.

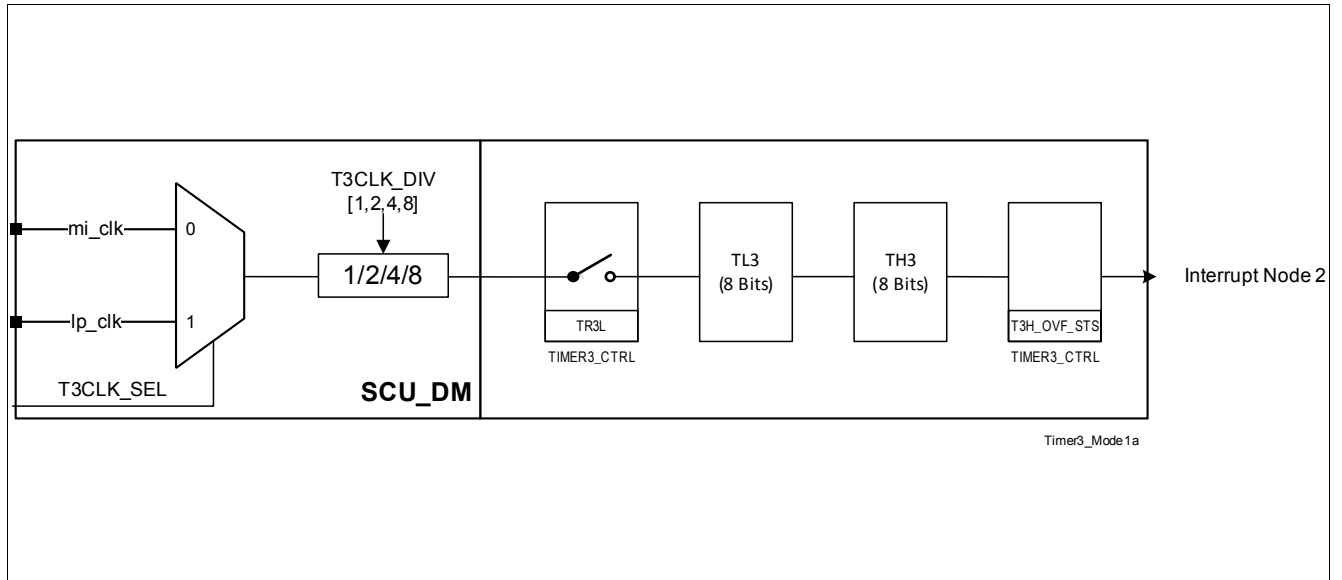


Figure 100 Timer3, Mode 1a: 16-Bit Timer

17.3.4 Mode 1b

Mode 1b is intended to delay certain actions based on a PWM trigger source. The timer operates as a 16-bit-timer. The timer starts counting upwards upon trigger by the selected trigger source. The trigger source has to be selected in the register **T3_TRIGG_CTRL**, bits T3_TRIGG_INP_SEL. To enable a repetitive operation a reset of the timer counter can be defined on the rising edge, falling edge or on both edges of the selected trigger source. The desired selection can be taken in the register **T3_TRIGG_CTRL**, bits T3_RES_CONF. An interrupt will be issued upon overflow, or if the compare value is reached. The compare value may be defined in the registers **CMP**. In this mode the preload of the timer count registers **TIMER3_HI** and **TIMER3_LO** has no effect, the counting always starts with 0x0000 until the set compare value.

This mode can be used to trigger the measurement unit with a desired delay based on a PWM edge to perform measurements synchronous to the selected PWM source. The working principle of this mode is shown in **Figure 1**.

Note: If **TIMER3_CMP_LO** and **TIMER3_CMP_HI** specify a delay that is greater than the pulse width of the PWM signal, the **ccu6_int** is not issued.

Note: The **TIMER3_CMP** value is stored internally (shadowed) on the trigger edge. This means, if the **TIMER3_CMP** value changes during a current PWM period, the change takes effect with the next PWM period.

Note: trigger select **T12_PM** and **T12_ZM** (in **T3_TRIGG_INP_SEL**) shall be only operated with rising edge **T3_RES_CONF**.

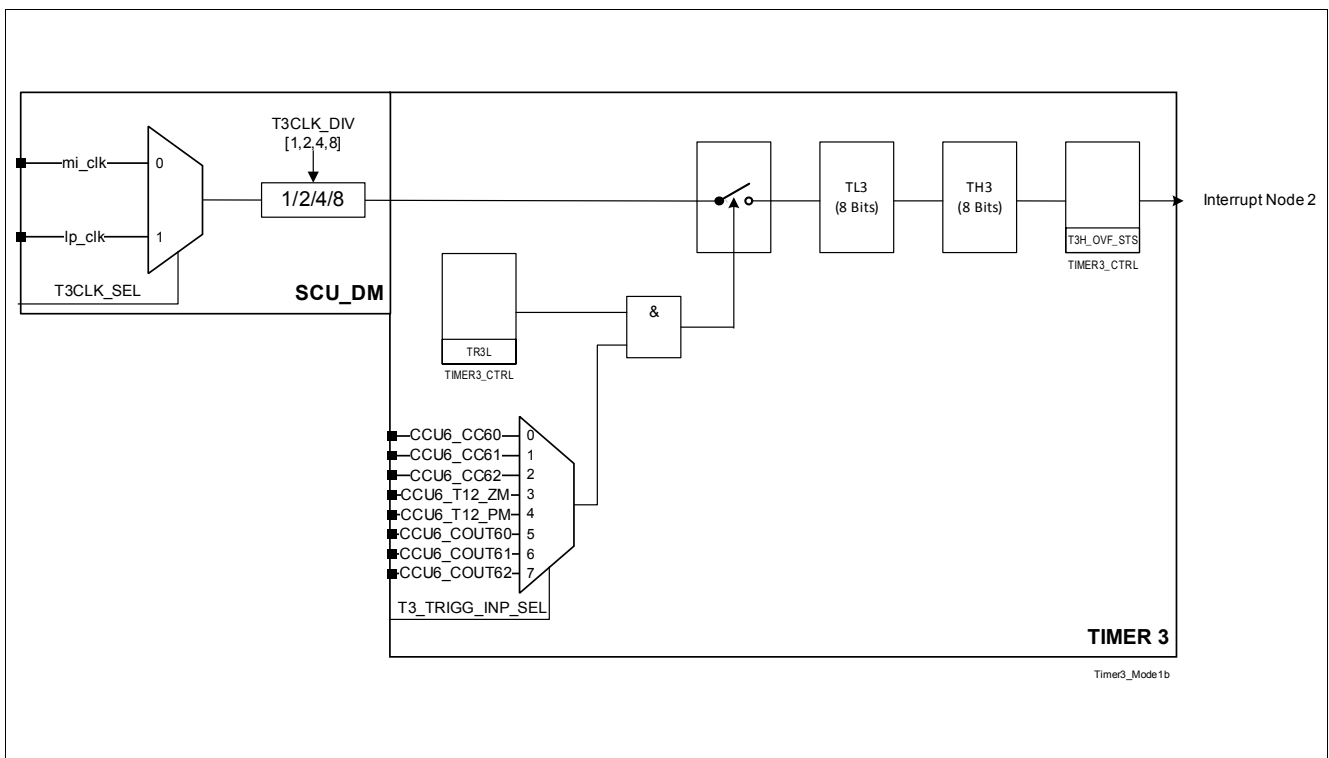


Figure 101 Timer3, Mode 1b: 16-Bit Timer triggered by an event

The retrigger option can be used for CCU6 PM and ZM to be retrigger with the **ccu6_int** output. T3 is using the inverted ZM/TM signals, and falling edge is recommended as a trigger

17.3.5 Mode 2

In Mode 2 the timer operates as a 8-bit-timer with reload. The register `TIMER3_LOW` is the timer value count register, while the register `TIMER3_HIGH` holds the reload value. Upon an overflow of the `TIMER3_LOW` register from `0xFF` to `0x00` an interrupt gets issued. Simultaneously the `TIMER3_LOW` register gets loaded with the value in the `TIMER3_HIGH` register. The working principle is shown in [Figure 102](#).

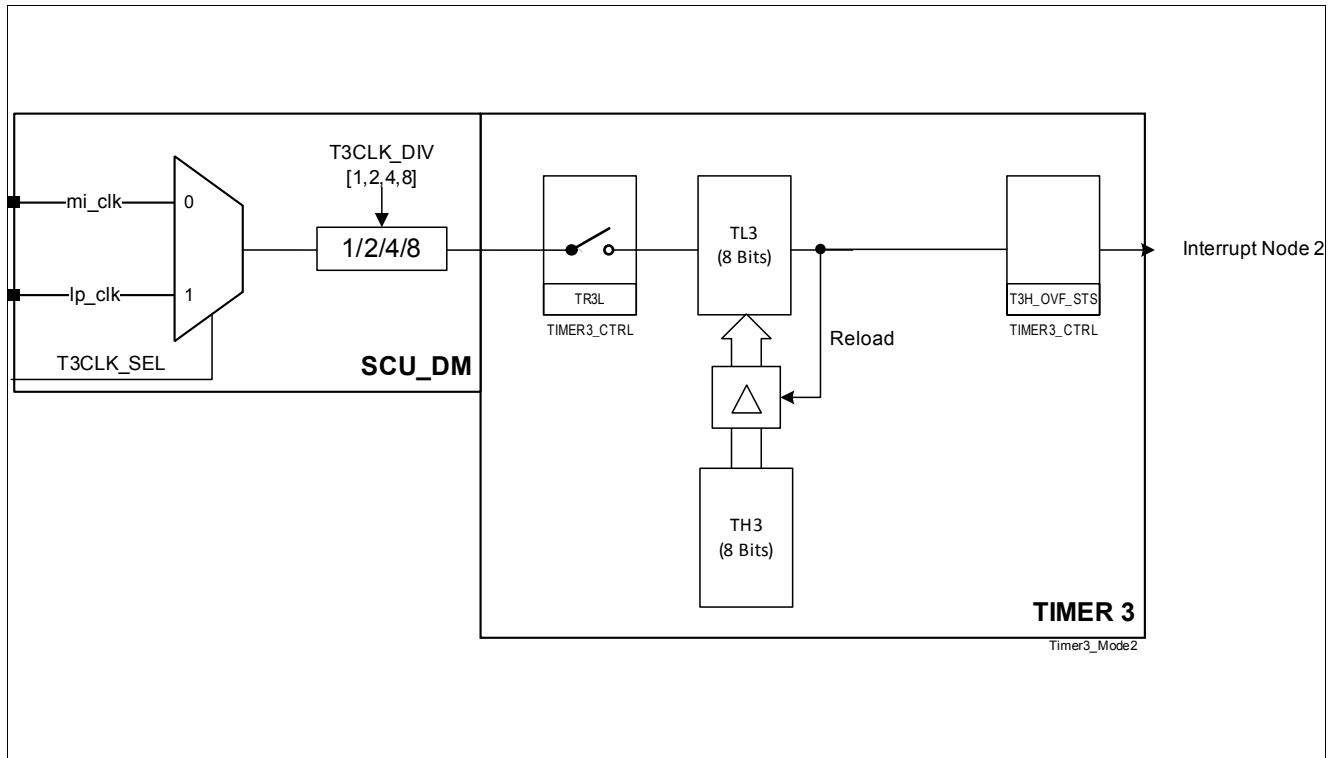


Figure 102 Timer 3, Mode 2: 8-Bit Timer with Auto-Reload

17.3.6 Mode 3a

In Mode 3a, the two Timer 3 registers, TL3 and TH3, function as two separate 8-bit counters.

The 8-bit counter, TL3, uses the Timer 3 control bits TR3 and T3L_OVF_STS, while the other 8-bit counter, TH3, is locked into a timer function (counting machine cycles). Furthermore, TH3 sets the Timer 3 flag bit T3H_OVF_STS, upon overflow and generates an interrupt if it is set.

Mode 3a is provided for applications requiring an extra 8-bit timer.

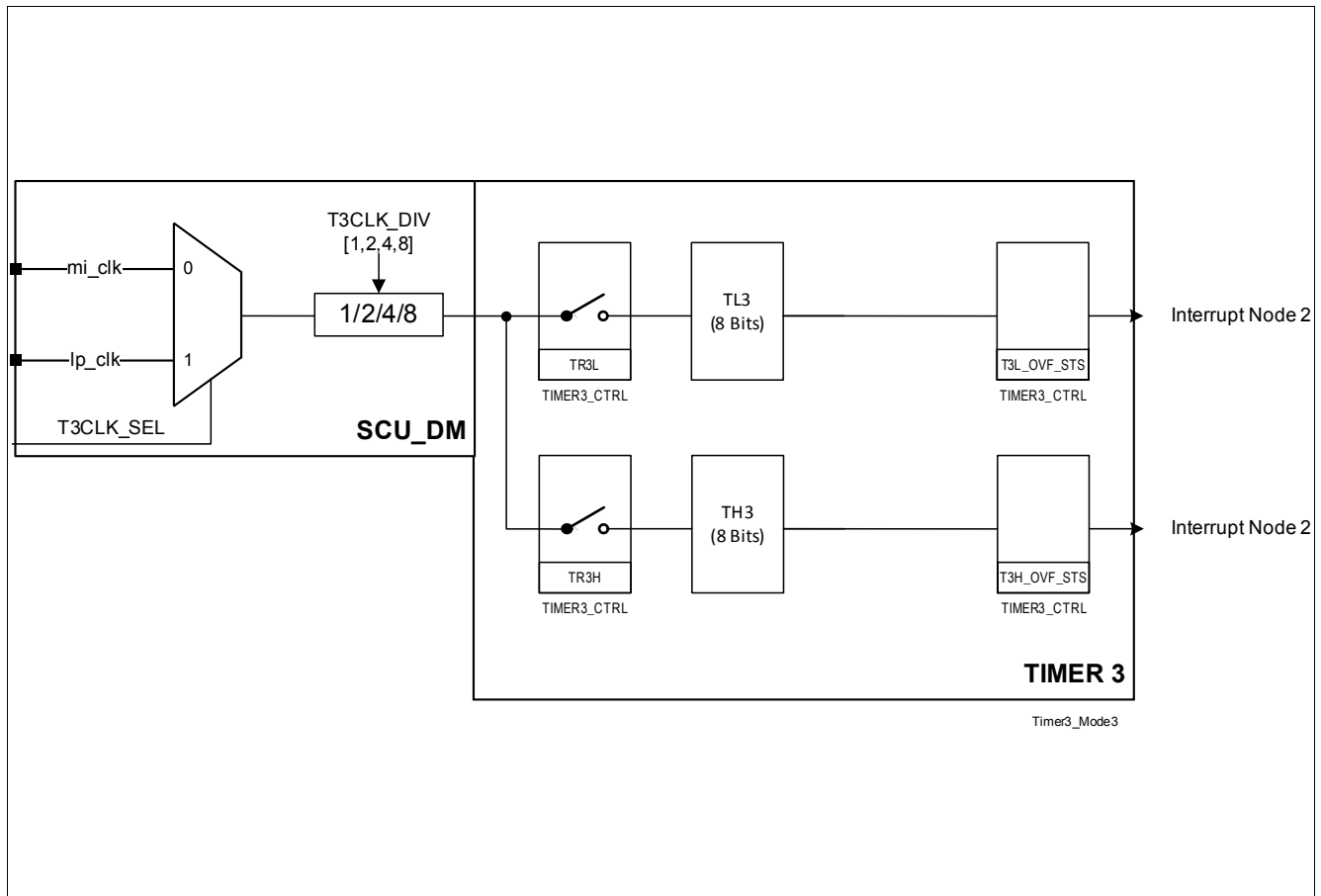


Figure 103 Timer 3, Mode 3a: Two 8-Bit Timers

17.3.7 Mode 3b

The Mode 3b is used to measure the period of the LP_CLK2. The Timer 3 is split up into an 8-bit counter (TIMER3_LO) and an 8-bit timer (TIMER3_HI). The TIMER3_LO counts falling edges of the LP_CLK2, no trigger source selection is required. The TIMER3_CMP_LO defines how many falling edges shall be counted. The TIMER3_HI runs with the selected clocking source and starts counting with the next falling edge on LP_CLK2. Once TIMER3_LO has counted the desired number of edges of the LP_CLK2, by hitting the TIMER3_CMP_LO value an interrupt will be issued and TIMER3_HI stops.

The recommended sequence in order to obtain correct results in the following:

disable the LP_CLK2 in PMU.CNF_CYC.OSC_100kHz_EN

configure mode 3b

start the timer3 with the RUN bit

enable the LP_CLK2 in PMU.CNF_CYC.OSC_100kHz_EN

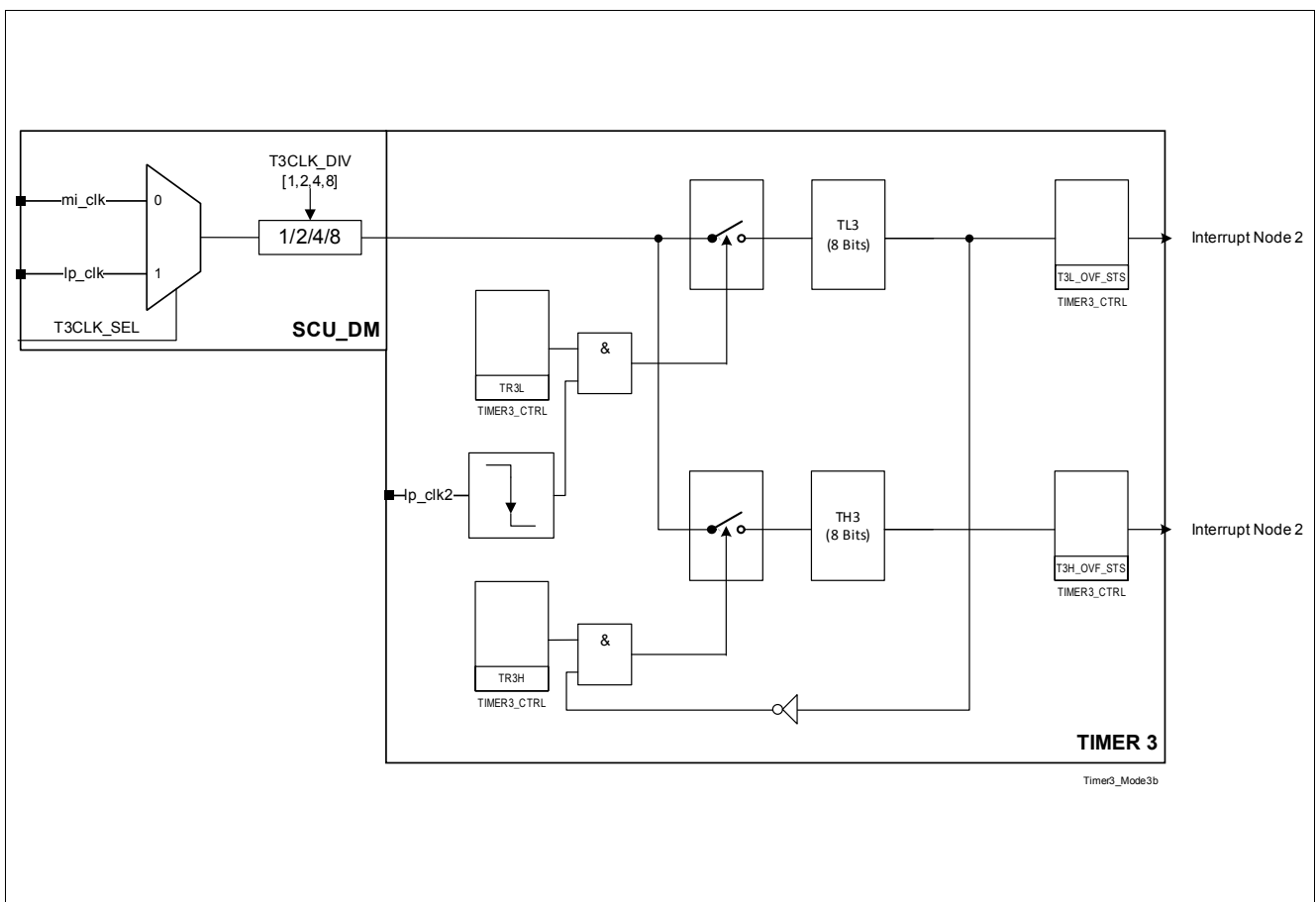


Figure 104 Timer 3, Mode 3b: Two 8-Bit Timers for clock measurement

17.4 Interrupts

Figure 105 shows the interrupt generation of Timer3.

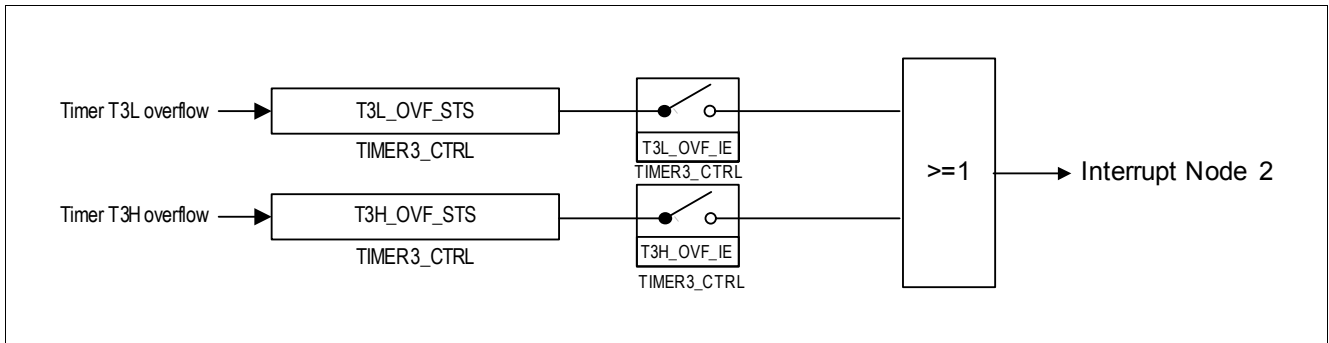


Figure 105 Timer3 Interrupt Generation

The module generates two interrupts. One is assigned to the overflow of lower 8 bit timer, while the other interrupt signals the overflow of the higher 8 bit counter.

17.5 Register Definition

A total of six **SFR** Registers control the operation of Timer 3. TL3/TH3 are the low and high timer registers. **CTRL** and **MODE_CONF** are the mode selection register.

The addresses of the kernel SFRs are listed in **Table 98**.

Table 97 shows the module base addresses.

Table 97 Register Address Space

Module	Base Address	End Address	Note
TIMER3	4800 6000 _H	4800 6020 _H	

Table 98 Register Overview

Register Short Name	Register Long Name	Offset Address	Reset Value
Register Definition, Timer 3 Control Registers			
T3_TRIGG_CTRL	Timer 3 Trigger Control Register	00 _H	0000 0000 _H
CMP	Timer 3 Compare Value	04 _H	0000 0000 _H
CNT	Timer 3	08 _H	0000 0000 _H
CTRL	Timer 3 Control Register	0C _H	0000 0001 _H
MODE_CONF	Timer 3 Mode Configuration Register	10 _H	0000 0001 _H
ISRCLR	Timer 3 Interrupt Status Clear Register	14 _H	0000 0000 _H

The registers are addressed wordwise.

17.5.1 Timer 3 Control Registers

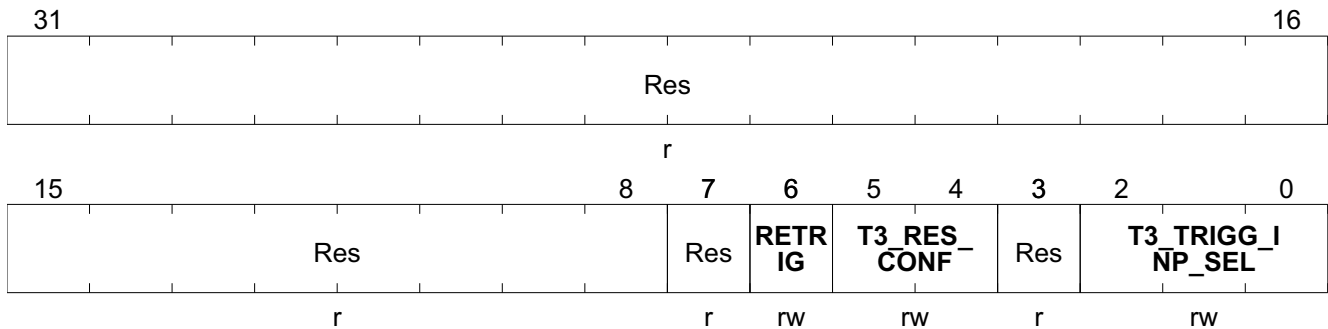
After each write access the AHB bus is stalled for at least 2 (timer3_clk) and 3 (hclk) cycles.

Timer 3 Trigger Control Register

The register is reset by RESET_TYPE_3.

T3_TRIGG_CTRL	Offset	Reset Value
Timer 3 Trigger Control Register	00 _H	0000 0000 _H

Timer3



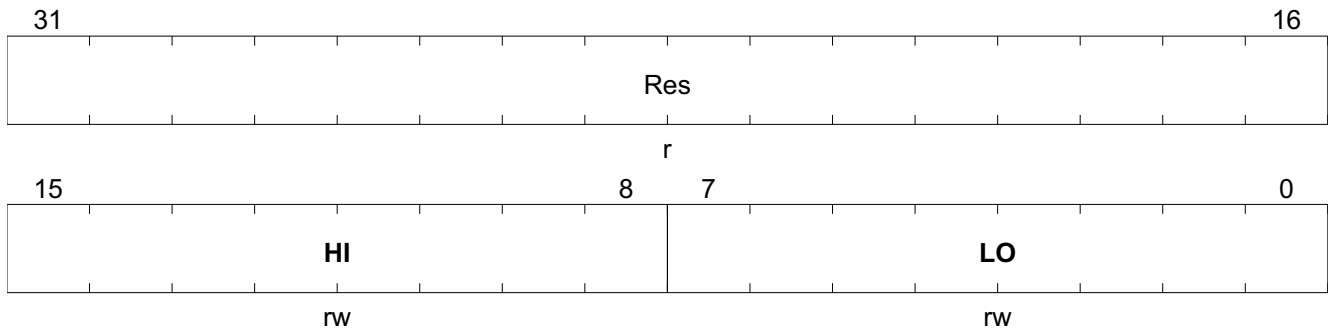
Field	Bits	Type	Description
Res	31:8	r	Reserved Always read as 0
Res	7	r	Reserved Always read as 0
RETRIG	6	rw	Retrigger Condition (in Mode 1b) for CCU6-T12 ZM and CCU6-T12 PM For CCU6-T12 ZM and PM the ccu6_int output will retrigger the timer in Mode 1b. 0 _B DIS Retrigger disabled 1 _B EN Retrigger enabled
T3_RES_CONF	5:4	rw	Timer 3 Trigger Reset Selection for Mode 1b 0 _H No Reset on PWM Edge Counter is not reset while PWM Module is running. 1 _H Reset On Rising Edge Counter is reset on rising edge input 2 _H Reset On Falling Edge Counter is reset on falling edge input. 3 _H Reset on both Edges Counter is reset on both edge inputs.
Res	3	r	Reserved Always read as 0
T3_TRIGG_INP_SEL	2:0	rw	Timer 3 Trigger Input Event Selection (only in Mode 3b) 0 _H CCU6-CC6 0 Capture Compare Unit Channel 0 (CC60). 1 _H CCU6-CC61 Capture Compare Unit Channel 1 (CC61). 2 _H CCU6-CC62 Capture Compare Unit Channel 2 (CC62). 3 _H CCU6-T12 ZM Capture Compare Unit T12 Zero Match. 4 _H CCU6-T12 PM Capture Compare Unit T12 Period Match. 5 _H CCU6-COUT6 0 Capture Compare Unit Channel 0 (COUT60). 6 _H CCU6-COUT61 Capture Compare Unit Channel 1 (COUT61). 7 _H CCU6-COUT62 Capture Compare Unit Channel 2 (COUT62).

Timer 3 Compare Value

The register is reset by RESET_TYPE_3.

CMP	Offset	Reset Value
Timer 3 Compare Value	04 _H	0000 0000 _H

Timer3

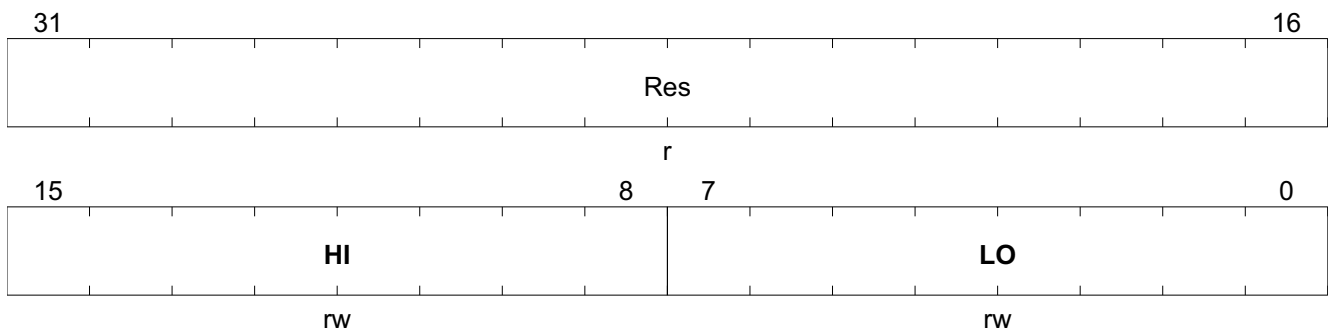


Field	Bits	Type	Description
Res	31:16	r	Reserved Always read as 0
HI	15:8	rw	Timer 3 Compare Value High Byte 00000000 _B TIMER3_CMP_HI holds the compare value of high byte for Measurement Interface Trigger.
LO	7:0	rw	Timer 3 Compare Value Low Byte 00000000 _B TIMER3_CMP_LO holds the compare value of low byte for Measurement Interface Trigger.

Timer 3

The register is reset by RESET_TYPE_3.

CNT	Offset	Reset Value
Timer 3	08 _H	0000 0000 _H



Field	Bits	Type	Description
Res	31:16	r	Reserved Always read as 0

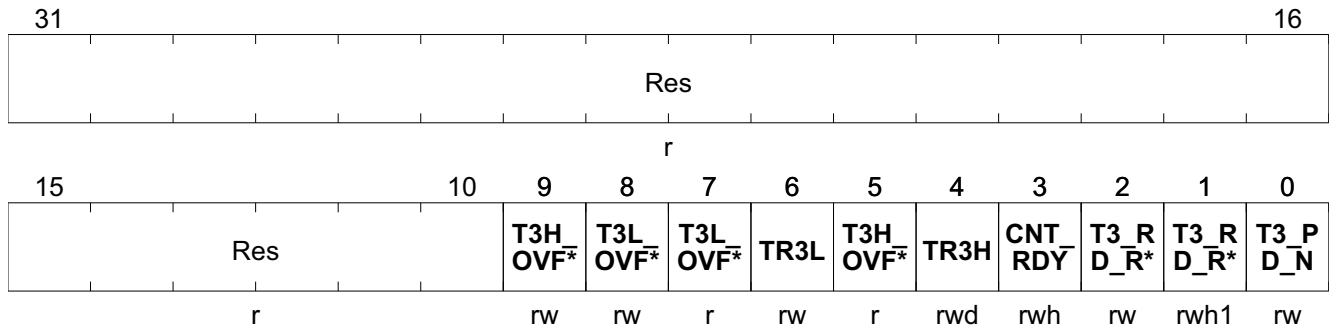
Field	Bits	Type	Description
HI	15:8	rw	Timer 3 High Register or Preload Value 00 _B TIMER3_HI holds the higher 8-bit part of the 13-bit timer value. 01 _B TIMER3_HI holds the higher 8-bit part of the 16-bit timer value. 10 _B TIMER3_HI holds the 8-bit reload value. 11 _B TIMER3_HI holds the 8-bit timer value.
LO	7:0	rw	Timer 3 Low Register or Preload Value¹⁾ 00 _B TIMER3_LO holds the lower 5-bit part of the 13-bit timer value. 01 _B TIMER3_LO holds the lower 8-bit part of the 16-bit timer value. 10 _B TIMER3_LO holds the 8-bit timer value. 11 _B TIMER3_LO holds the 8-bit timer value.

1) TIMER3_LO corresponds to the selected timer main operating mode which can be changed by writing [MODE_CONF](#)

Timer 3 Control Register

The register is reset by RESET_TYPE_3.

CTRL	Offset	Reset Value
Timer 3 Control Register	0C_H	0000 0001_H



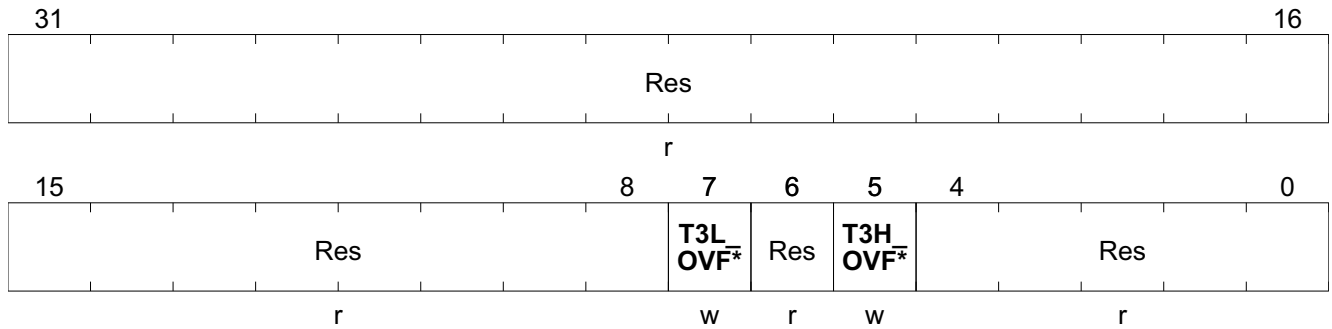
Field	Bits	Type	Description
Res	31:10	r	Reserved Always read as 0
T3H_OVF_IE	9	rw	Timer 3 Overflow Interrupt Enable (High Byte Timer) 0 _B DIS Interrupt disabled 1 _B EN Interrupt enabled
T3L_OVF_IE	8	rw	Timer 3 Overflow Interrupt Enable (Low Byte Timer) 0 _B DIS Interrupt disabled. 1 _B EN Interrupt enabled
T3L_OVF_STS	7	r	Timer 3 Overflow Flag (Low Byte Timer) 0 _B T3L_OVF_STS No overflow occurred. 1 _B T3L_OVF_STS Overflow occurred. Set by hardware when Low Byte of Timer 3 overflows. Cleared by software.
TR3L	6	rw	Timer 3 Run Control (Low Byte Timer) 0 _B TR3L Timer is halted 1 _B TR3L Timer runs
T3H_OVF_STS	5	r	Timer 3 Overflow Flag (High Byte Timer) 0 _B T3H_OVF_STS No Overflow occurred. 1 _B T3H_OVF_STS Overflow occurred. Set by hardware when High Byte of Timer 3 overflows. Cleared by software.
TR3H	4	rwd	Timer 3 Run Control (High Byte Timer) 0 _B TR3H Timer is halted 1 _B TR3H Timer runs
CNT_RDY	3	rwh	Timer 3 Count Ready 0 _B CNT_RDY Timer hasn't finished counting in Mode 1b, 3b 1 _B CNT_RDY Timer has finished counting in Mode 1b, 3b

Field	Bits	Type	Description
T3_RD_REQ_CONF	2	rw	<p>Timer 3 Read Mode</p> <p>0_B T3_RD_REQ_CONF Timer 3 Read Request can be triggered by software</p> <p>1_B T3_RD_REQ_CONF Timer 3 Read Request can be triggered by hardware (in Mode 3b)</p> <p><i>Note: Hardware read request is ignored in modes other than Mode 3b</i></p> <p><i>Note: T3_RD_REQ_CONF and T3_RD_REQ need to be updated in two separate write accesses</i></p>
T3_RD_REQ	1	rwh1	<p>Timer 3 Value Read Request</p> <p>0_B T3_RD_REQ Timer value is not read from Timer 3</p> <p>1_B T3_RD_REQ Timer value is read from Timer 3</p> <p><i>Note: Only possible if T3_RD_REQ_CONF = 0</i></p> <p><i>This bit T3_RD_REQ remains set until the read request is finished, and only then is cleared to 0</i></p>
T3_PD_N	0	rw	<p>Timer 3 Power Down</p> <p>0_B Power Down Timer 3 is in Power Down</p> <p>1_B no Power Down Timer 3 is not in Power Down</p> <p><i>Note: In Power Down Mode, the Timer 3 is reset and the module clock gating is active</i></p>

Timer 3 Interrupt Status Clear Register

The register is reset by RESET_TYPE_3.

ISRCLR **Offset**
Timer 3 Interrupt Status Clear Register **14_H** **Reset Value**
0000 0000_H



Field	Bits	Type	Description
Res	31:8	r	Reserved Always read as 0
T3L_OVF_ICLR	7	w	Timer 3 Overflow Flag (Low Byte Timer) Interrupt Clear 0 _B T3L_OVF_ ICLR Overflow not cleared. 1 _B T3L_OVF_ ICLR Overflow cleared. Set by software, cleared by hardware.
Res	6	r	Reserved Always read as 0
T3H_OVF_ICLR	5	w	Timer 3 Overflow Flag (High Byte Timer) Interrupt Clear 0 _B T3H_OVF_ ICLR Overflow not cleared. 1 _B T3H_OVF_ ICLR Overflow cleared. Set by software, cleared by hardware
Res	4:0	r	Reserved Always read as 0

18 Capture/Compare Unit 6 (CCU6)

The CCU6 is a high-resolution 16-bit capture and compare unit with application specific modes, mainly for AC drive control. Special operating modes support the control of brushless DC-motors using Hall sensors or Back-EMF detection. Furthermore, block commutation and control mechanisms for multi-phase machines are supported.

It also supports inputs to start several timers synchronously, an important feature in devices with several CCU6 modules.

This chapter is structured as follows:

- Functional description of the CCU6 kernel (see [Section 18.2](#))
 - Introduction (see [Section 18.2](#))
 - Operating T12 (see [Section 18.3](#))
 - Operating T13 (see [Section 18.4](#))
 - Trap handling (see [Section 18.5](#))
 - Multi-Channel mode (see [Section 18.6](#))
 - Hall sensor mode (see [Section 18.7](#))
 - Interrupt handling (see [Section 18.10](#))
 - General module operation (see [Section 18.8](#))
- CCU6 kernel registers description (see [Section 18.11.1](#))
- TLE9868QXB20 implementation specific details (see [Section 18.9](#))

18.1 Feature Set Overview

This section gives an overview over the different building blocks and their main features.

Timer 12 Block Features

- Three capture/compare channels, each channel can be used either as capture or as compare channel
- Generation of a three-phase PWM supported (six outputs, individual signals for high-side and low-side switches)
- 16-bit resolution, maximum count frequency = peripheral clock
- Dead-time control for each channel to avoid short-circuits in the power stage
- Concurrent update of T12 registers
- Center-aligned and edge-aligned PWM can be generated
- Single-shot mode supported
- Start can be controlled by external events
- Capability of counting external events
- Multiple interrupt request sources
- Hysteresis-like control mode

Timer 13 Block Features

- One independent compare channel with one output
- 16-bit resolution, maximum count frequency = peripheral clock
- Concurrent update of T13 registers
- Can be synchronized to T12
- Interrupt generation at period-match and compare-match
- Single-shot mode supported
- Start can be controlled by external events
- Capability of counting external events

Additional Specific Functions

- Block commutation for brushless DC-drives implemented
- Position detection via hall-sensor pattern
- Noise filter supported for position input signals
- Automatic rotational speed measurement and commutation control for block commutation
- Integrated error handling
- Fast emergency stop without CPU load via external signal ($\overline{\text{CTRAP}}$)
- Control modes for multi-channel AC-drives
- Output levels can be selected and adapted to the power stage

18.2 Introduction

The CCU6 unit is made up of a Timer T12 block with three capture/compare channels and a Timer T13 block with one compare channel. The T12 channels can independently generate PWM signals or accept capture triggers, or they can jointly generate control signal patterns to drive DC-motors or inverters.

A rich set of status bits, synchronized updating of parameter values via shadow registers, and flexible generation of interrupt request signals provide efficient software-control.

Note: The capture/compare module itself is referred to as CCU6 (capture/compare unit 6). A capture/compare channel inside this module is referred to as CC6x.

The timer T12 can work in capture and/or compare mode for its three channels. The modes can also be combined (e.g. a channel works in compare mode, whereas another channel works in capture mode). The timer T13 can work in compare mode only. The multi-channel control unit generates output patterns which can be modulated by T12 and/or T13. The modulation sources can be selected and combined for the signal modulation.

18.2.1 Block Diagram

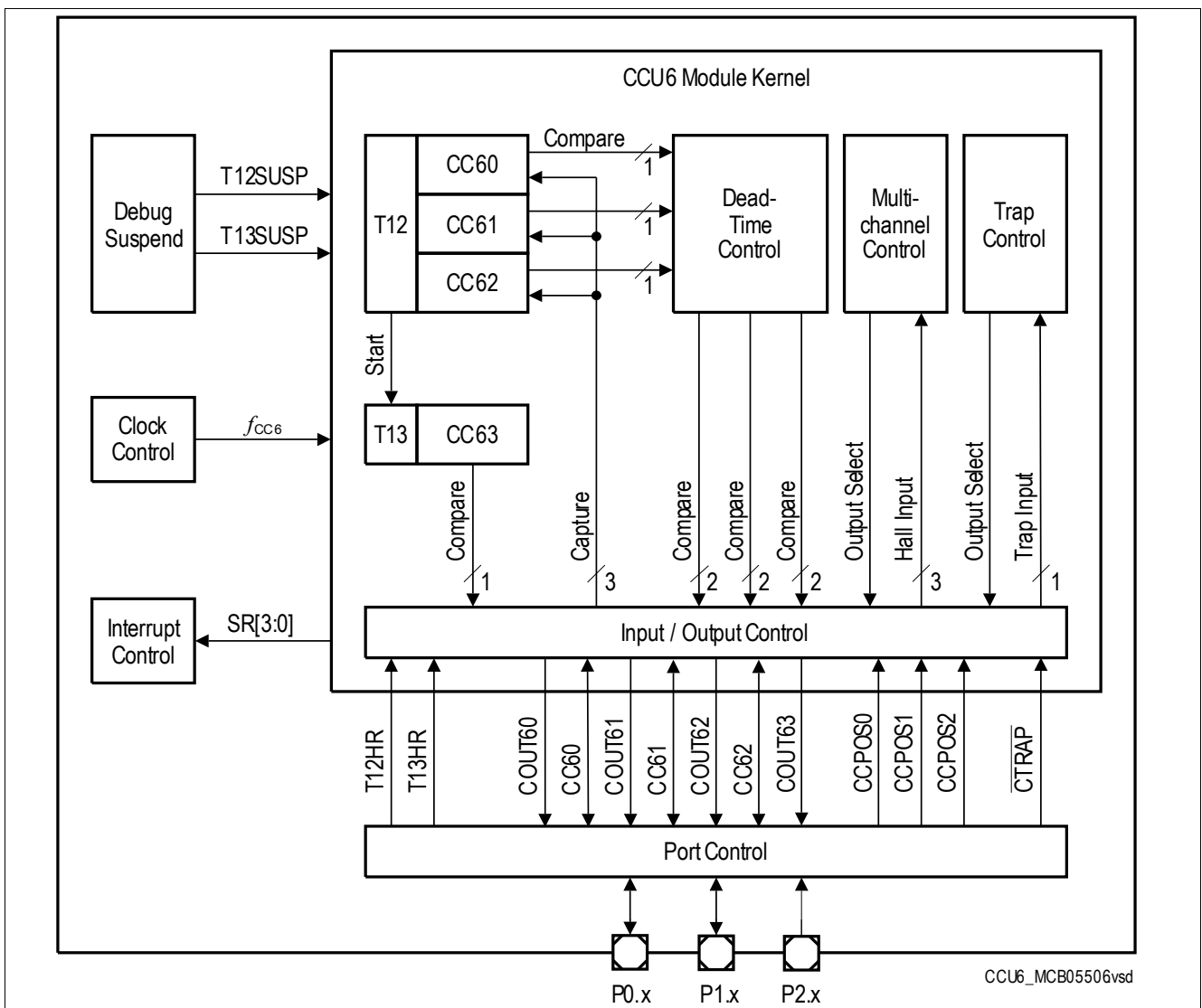


Figure 106 CCU6 Block Diagram

18.3 Operating Timer T12

The timer T12 block is the main unit to generate the 3-phase PWM signals. A 16-bit counter is connected to 3 channel registers via comparators, that generate a signal when the counter contents match one of the channel register contents. A variety of control functions facilitate the adaptation of the T12 structure to different application needs.

Besides the 3-phase PWM generation, the T12 block offers options for individual compare and capture functions, as well as dead-time control and hysteresis-like compare mode.

This section provides information about:

- T12 overview (see [Section 18.3.1](#))
- Counting scheme (see [Section 18.3.2](#))
- Compare modes (see [Section 18.3.3](#))
- Compare mode output path (see [Section 18.3.4](#))
- Capture modes (see [Section 18.3.5](#))
- Shadow transfer (see [Section 18.3.6](#))
- T12 operating mode selection (see [Section 18.3.7](#))

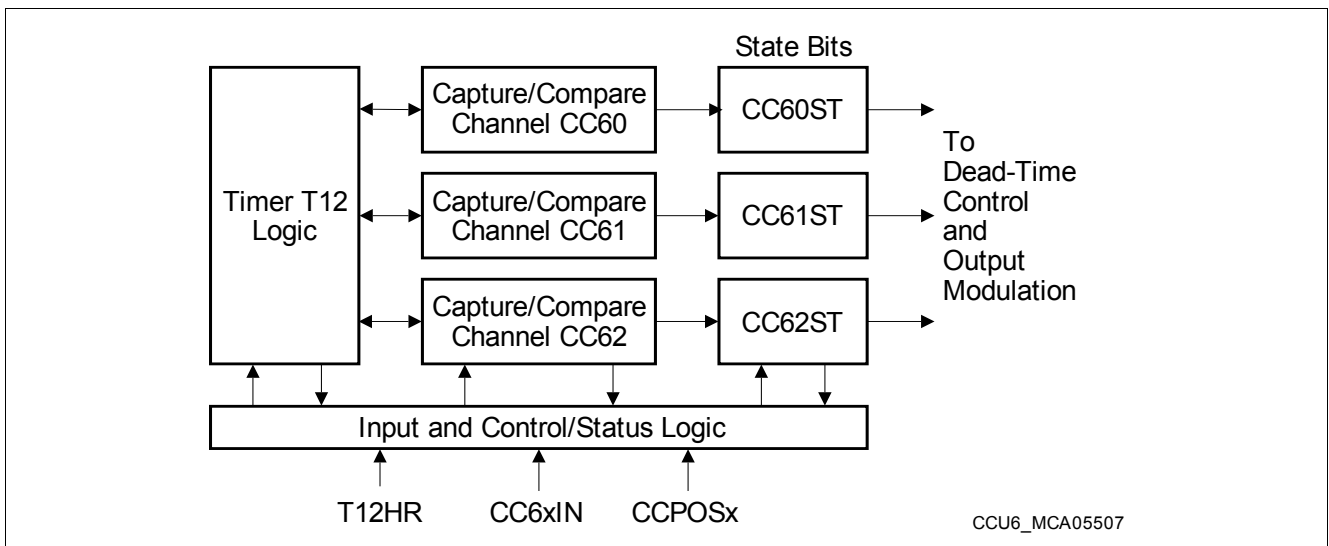


Figure 107 Overview Diagram of the Timer T12 Block

18.3.1 T12 Overview

Figure 108 shows a detailed block diagram of Timer T12. The functions of the timer T12 block are controlled by bits in registers TCTR0, TCTR2, and PISEL0.

Timer T12 receives its input clock (f_{T12}) from the module clock f_{CC6} via a programmable prescaler and an optional 1/256 divider or from an input signal T12HR. These options are controlled via bit fields T12CLK and T12PRE (see **Table 99**). T12 can count up or down, depending on the selected operation mode. A direction flag, CDIR, indicates the current counting direction.

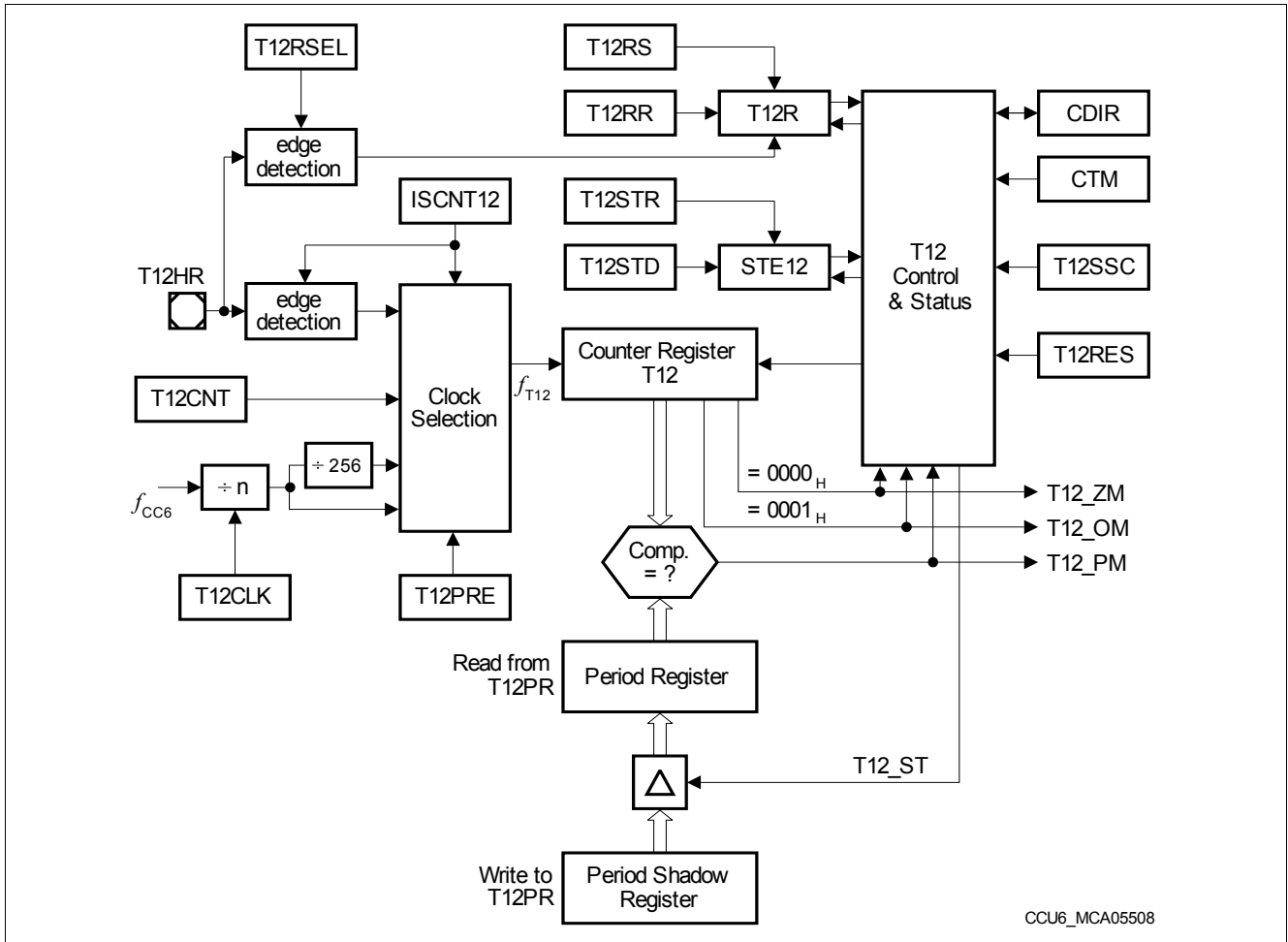


Figure 108 Timer T12 Logic and Period Comparators

Via a comparator, the T12 counter register T12 is connected to a Period Register T12PR. This register determines the maximum count value for T12.

In Edge-Aligned mode, T12 is cleared to 0000_H after it has reached the period value defined by T12PR. In Center-Aligned mode, the count direction of T12 is set from ‘up’ to ‘down’ after it has reached the period value (please note that in this mode, T12 exceeds the period value by one before counting down). In both cases, signal T12_PM (T12 Period Match) is generated. The Period Register receives a new period value from its Shadow Period Register.

A read access to T12PR delivers the current period value at the comparator, whereas a write access targets the Shadow Period Register to prepare another period value. The transfer of a new period value from the Shadow Period Register into the Period Register (see **Section 18.3.6**) is controlled via the ‘T12 Shadow Transfer’ control signal, T12_ST. The generation of this signal depends on the operating mode and on the shadow transfer enable bit STE12. Providing a shadow register for the period value as well as for other values related to the generation of the PWM signal allows a concurrent update by software for all relevant parameters.

Two further signals indicate whether the counter contents are equal to 0000_H (T12_ZM = zero match) or 0001_H (T12_OM = one match). These signals control the counting and switching behavior of T12.

The basic operating mode of T12, either Edge-Aligned mode ([Figure 109](#)) or Center-Aligned mode ([Figure 110](#)), is selected via bit CTM. A Single-Shot control bit, T12SSC, enables an automatic stop of the timer when the current counting period is finished (see [Figure 111](#) and [Figure 112](#)).

The start or stop of T12 is controlled by the Run bit T12R that can be modified by bits in register TCTR4. The run bit can be set/cleared by software via the associated set/clear bits T12RS or T12RR, it can be set by a selectable edge of the input signal T12HR (TCTR2.T12RSEL), or it is cleared by hardware according to preselected conditions.

The timer T12 run bit T12R must not be set while the applied T12 period value is zero. Timer T12 can be cleared via control bit T12RES. Setting this write-only bit does only clear the timer contents, but has no further effects, for example, it does not stop the timer.

The generation of the T12 shadow transfer control signal, T12_ST, is enabled via bit STE12. This bit can be set or reset by software indirectly through its associated set/clear control bits T12STR and T12STD.

While Timer T12 is running, write accesses to the count register T12 are not taken into account. If T12 is stopped and the Dead-Time counters are 0, write actions to register T12 are immediately taken into account.

18.3.2 T12 Counting Scheme

This section describes the clocking and counting capabilities of T12.

18.3.2.1 Clock Selection

In **Timer Mode** (PISEL2.ISCNT12 = 00_B), the input clock f_{T12} of Timer T12 is derived from the internal module clock f_{CC6} through a programmable prescaler and an optional 1/256 divider. The resulting prescaler factors are listed in **Table 99**. The prescaler of T12 is cleared while T12 is not running (TCTR0.T12R = 0) to ensure reproducible timings and delays.

Table 99 Timer T12 Input Frequency Options

T12CLK	Resulting Input Clock f_{T12} Prescaler Off (T12PRE = 0)	Resulting Input Clock f_{T12} Prescaler On (T12PRE = 1)
000 _B	f_{CC6}	$f_{CC6} / 256$
001 _B	$f_{CC6} / 2$	$f_{CC6} / 512$
010 _B	$f_{CC6} / 4$	$f_{CC6} / 1024$
011 _B	$f_{CC6} / 8$	$f_{CC6} / 2048$
100 _B	$f_{CC6} / 16$	$f_{CC6} / 4096$
101 _B	$f_{CC6} / 32$	$f_{CC6} / 8192$
110 _B	$f_{CC6} / 64$	$f_{CC6} / 16384$
111 _B	$f_{CC6} / 128$	$f_{CC6} / 32768$

In **Counter Mode**, timer T12 counts one step:

- If a 1 is written to TCTR4.T12CNT and PISEL2.ISCNT12 = 01_B
- If a rising edge of input signal T12HR is detected and PISEL2.ISCNT12 = 10_B
- If a falling edge of input signal T12HR is detected and PISEL2.ISCNT12 = 11_B

18.3.2.2 Edge-Aligned / Center-Aligned Mode

In **Edge-Aligned Mode** (CTM = 0), timer T12 is always counting upwards (CDIR = 0). When reaching the value given by the period register (period-match T12_PM), the value of T12 is cleared with the next counting step (saw tooth shape).

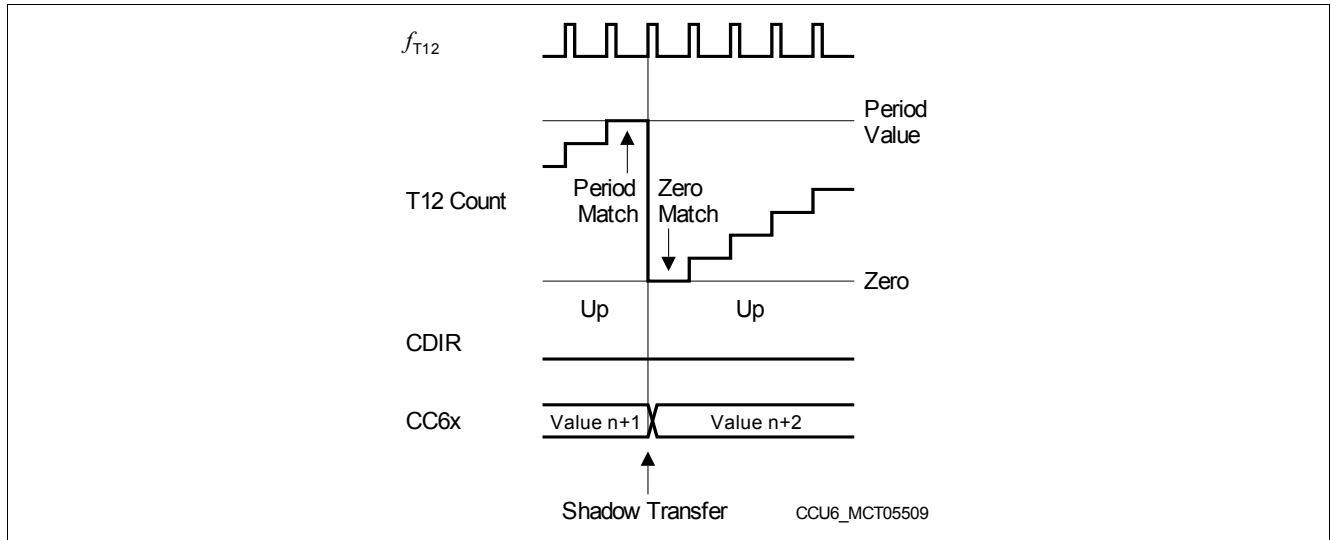


Figure 109 T12 Operation in Edge-Aligned Mode

As a result, in Edge-Aligned mode, the timer period is given by:

$$T12_{PER} = \langle \text{Period-Value} \rangle + 1; \text{ in } T12 \text{ clocks } (f_{T12}) \tag{8}$$

In **Center-Aligned Mode** (CTM = 1), timer T12 is counting upwards or downwards (triangular shape). When reaching the value given by the period register (period-match T12_PM) while counting upwards (CDIR = 0), the counting direction control bit CDIR is changed to downwards (CDIR = 1) with the next counting step.

When reaching the value 0001_H (one-match T12_OM) while counting downwards, the counting direction control bit CDIR is changed to upwards with the next counting step.

As a result, in Center-Aligned mode, the timer period is given by:

$$T12_{PER} = (\langle \text{Period-Value} \rangle + 1) \times 2; \text{ in } T12 \text{ clocks } (f_{T12}) \tag{9}$$

- With the next clock event of f_{T12} the count direction is set to counting up (CDIR = 0) when the counter reaches 0001_H while counting down.
- With the next clock event of f_{T12} the count direction is set to counting down (CDIR = 1) when the Period-Match is detected while counting up.
- With the next clock event of f_{T12} the counter counts up while CDIR = 0 and it counts down while CDIR = 1.

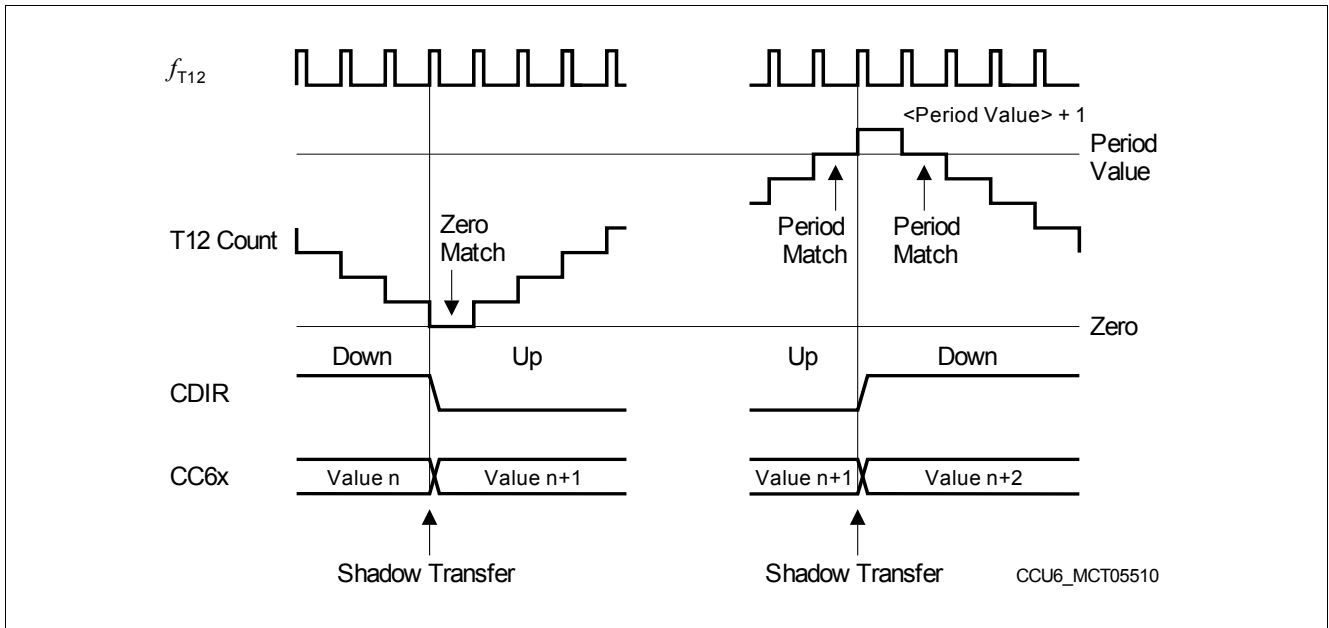


Figure 110 T12 Operation in Center-Aligned Mode

Note: Bit CDIR changes with the next timer clock event after the one-match or the period-match. Therefore, the timer continues counting in the previous direction for one cycle before actually changing its direction (see [Figure 110](#)).

18.3.2.3 Single-Shot Mode

In Single-Shot Mode, the timer run bit T12R is cleared by hardware. If bit T12SSC = 1, the timer T12 will stop when the current timer period is finished.

In Edge-Aligned mode, T12R is cleared when the timer becomes zero after having reached the period value (see [Figure 111](#)).

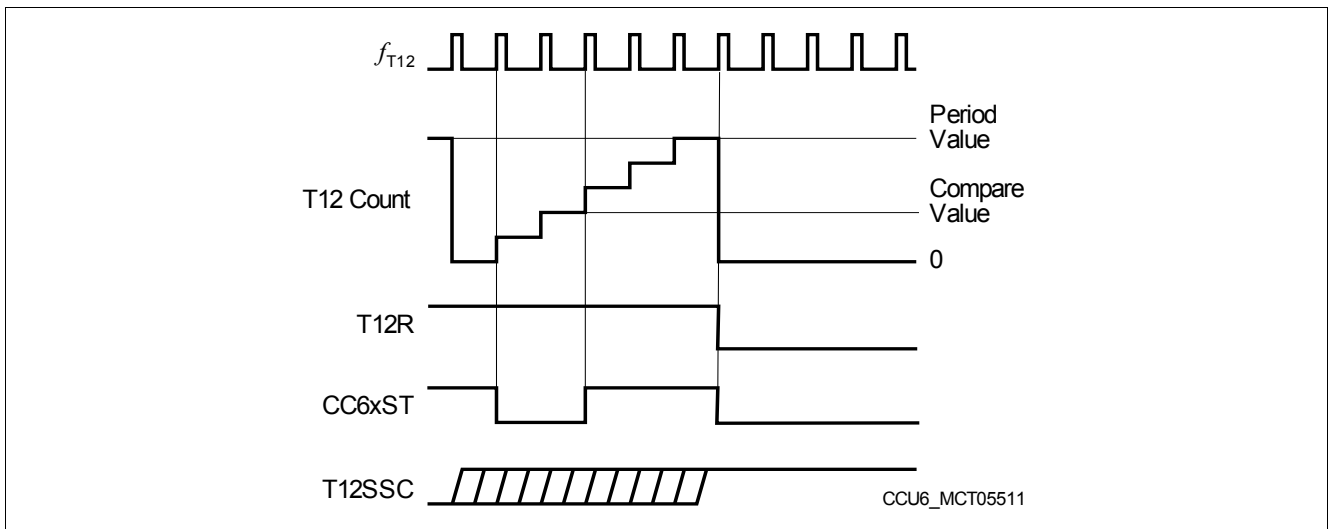


Figure 111 Single-Shot Operation in Edge-Aligned Mode

In Center-Aligned mode, the period is finished when the timer has counted down to zero (one clock cycle after the one-match while counting down, see [Figure 112](#)).

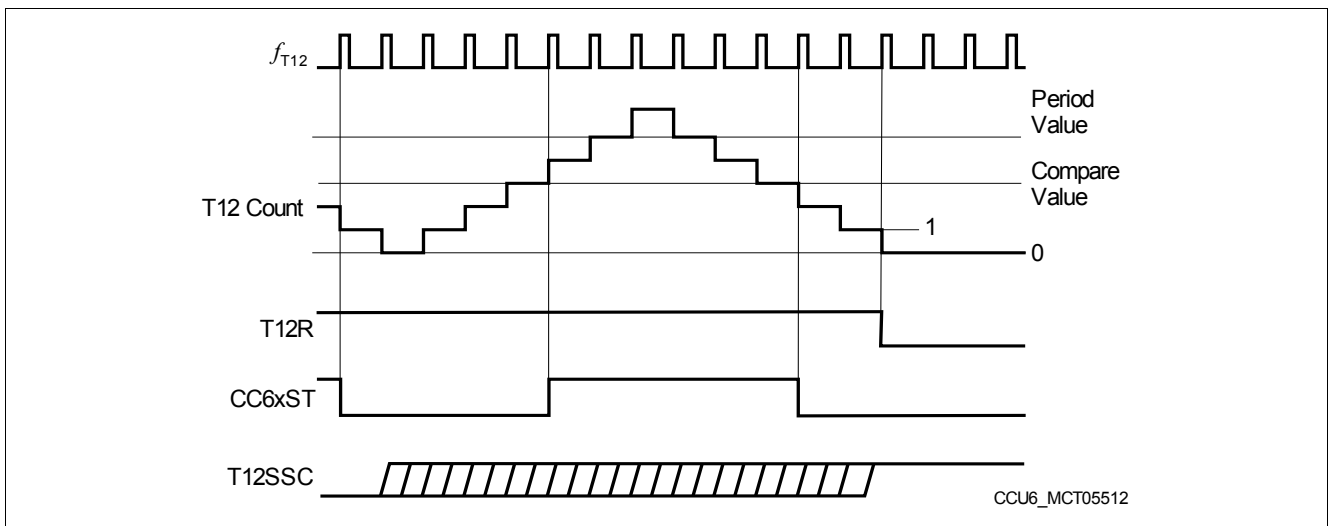


Figure 112 Single-Shot Operation in Center-Aligned Mode

18.3.3 T12 Compare Mode

Associated with Timer T12 are three individual capture/compare channels, that can perform compare or capture operations with regard to the contents of the T12 counter. The capture functions are explained in [Section 18.3.5](#).

18.3.3.1 Compare Channels

In Compare Mode (see [Figure 113](#)), the three individual compare channels CC60, CC61, and CC62 can generate a three-phase PWM pattern.

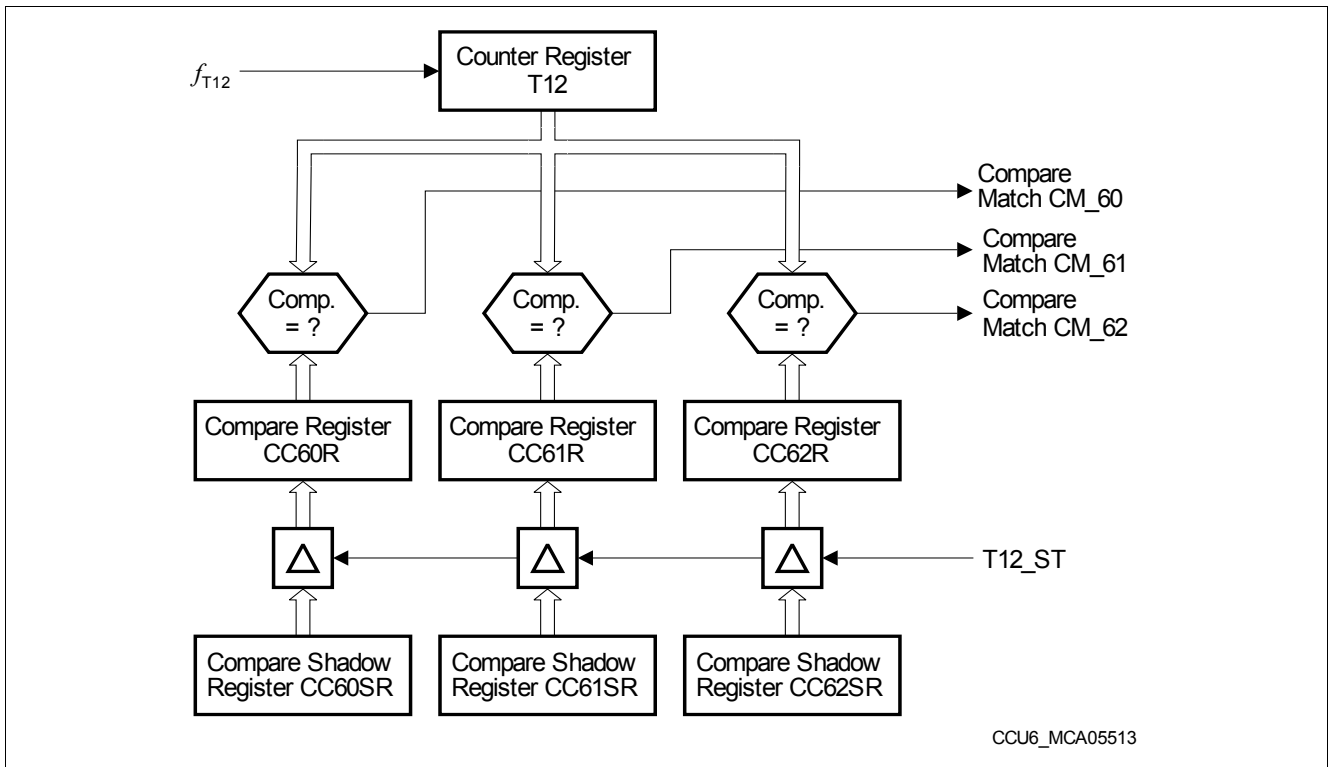


Figure 113 T12 Channel Comparators

Each compare channel is connected to the T12 counter register via its individual equal-to comparator, generating a match signal when the contents of the counter matches the contents of the associated compare register. Each channel consists of the comparator and a double register structure - the actual compare register CC6xR, feeding the comparator, and an associated shadow register CC6xSR, that is preloaded by software and transferred into the compare register when signal T12 shadow transfer, T12_ST, gets active. Providing a shadow register for the compare value as well as for other values related to the generation of the PWM signal facilitates a concurrent update by software for all relevant parameters of a three-phase PWM.

18.3.3.2 Channel State Bits

Associated with each (compare) channel is a State Bit, CMPSTAT.CC6xST, holding the status of the compare (or capture) operation (see [Figure 114](#)). In compare mode, the State Bits are modified according to a set of switching rules, depending on the current status of timer T12.

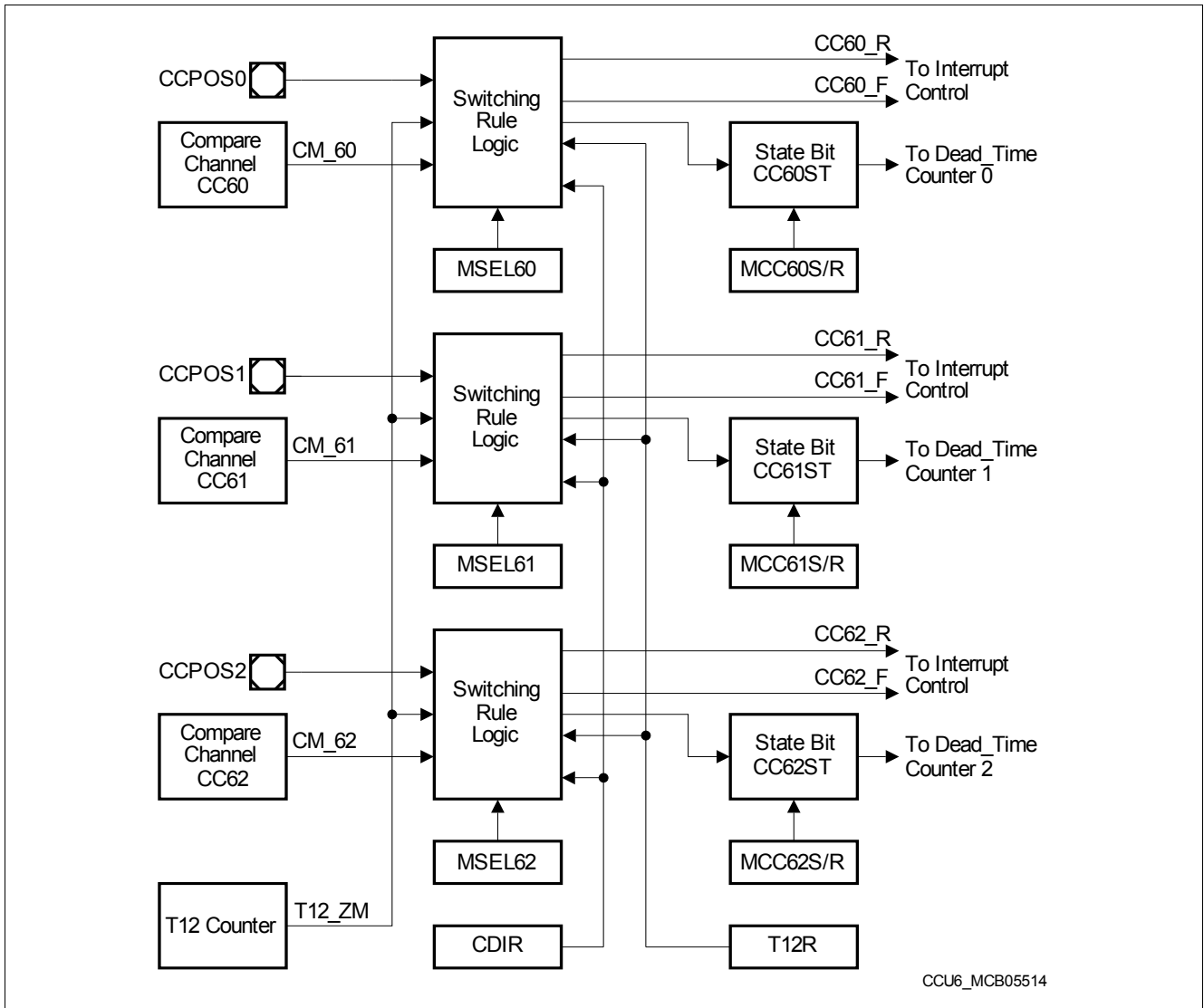


Figure 114 Compare State Bits for Compare Mode

The inputs to the switching rule logic for the CC6xST bits are the timer direction (CDIR), the timer run bit (T12R), the timer T12 zero-match signal (T12_ZM), and the actual individual compare-match signals CM_6x as well as the mode control bits, T12MSEL.MSEL6x.

In addition, each state bit can be set or cleared by software via the appropriate set and reset bits in register CMPMODIF, MCC6xS and MCC6xR. The input signals CCPOSx are used in hysteresis-like compare mode, whereas in normal compare mode, these inputs are ignored.

Note: In Hall Sensor, single shot or capture modes, additional/different rules are taken into account (see related sections).

A compare interrupt event CC6x_R is signaled when a compare match is detected while counting upwards, whereas the compare interrupt event CC6x_F is signaled when a compare match is detected while counting down. The actual setting of a State Bit has no influence on the interrupt generation in compare mode.

A modification of a State Bit CC6xST by the switching rule logic due to a compare action is only possible while Timer T12 is running (T12R = 1). If this is the case, the following switching rules apply for setting and clearing the State Bits in Compare Mode (illustrated in [Figure 115](#) and [Figure 116](#)):

A State Bit **CC6xST** is set to 1:

- with the next T12 clock (f_{T12}) after a compare-match when T12 is counting up (i.e., when the counter is incremented above the compare value);
- with the next T12 clock (f_{T12}) after a zero-match AND a parallel compare-match when T12 is counting up.

A State Bit **CC6xST** is cleared to 0:

- with the next T12 clock (f_{T12}) after a compare-match when T12 is counting down (i.e., when the counter is decremented below the compare value in center-aligned mode);
- with the next T12 clock (f_{T12}) after a zero-match AND NO parallel compare-match when T12 is counting up.

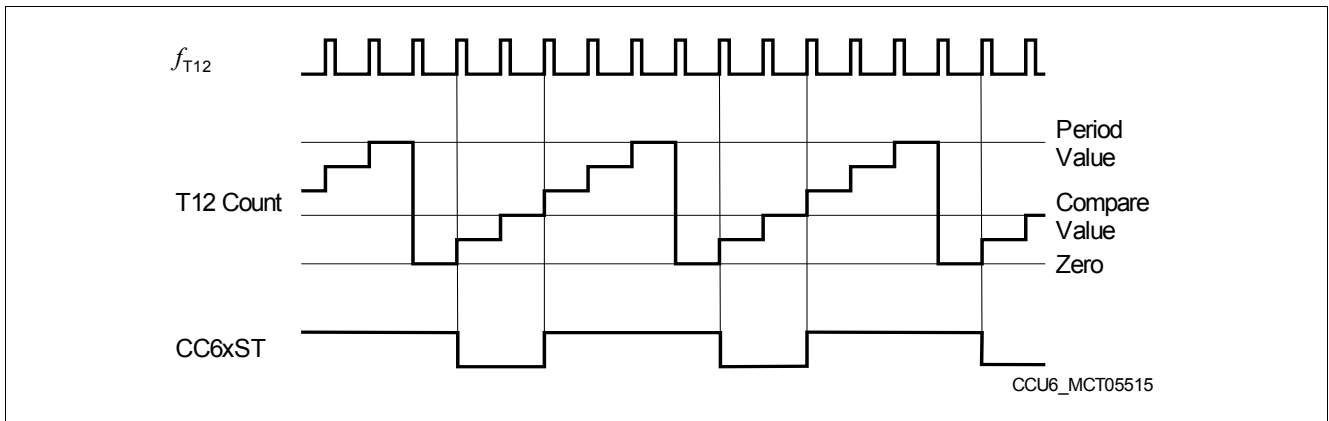


Figure 115 Compare Operation, Edge-Aligned Mode

Figure 117 illustrates some more examples for compare waveforms. It is important to note that in these examples, it is assumed that some of the compare values are changed while the timer is running. This change is performed via a software preload of the Shadow Register, CC6xSR. The value is transferred to the actual Compare Register CC6xR with the T12 Shadow Transfer signal, T12_ST, that is assumed to be enabled.

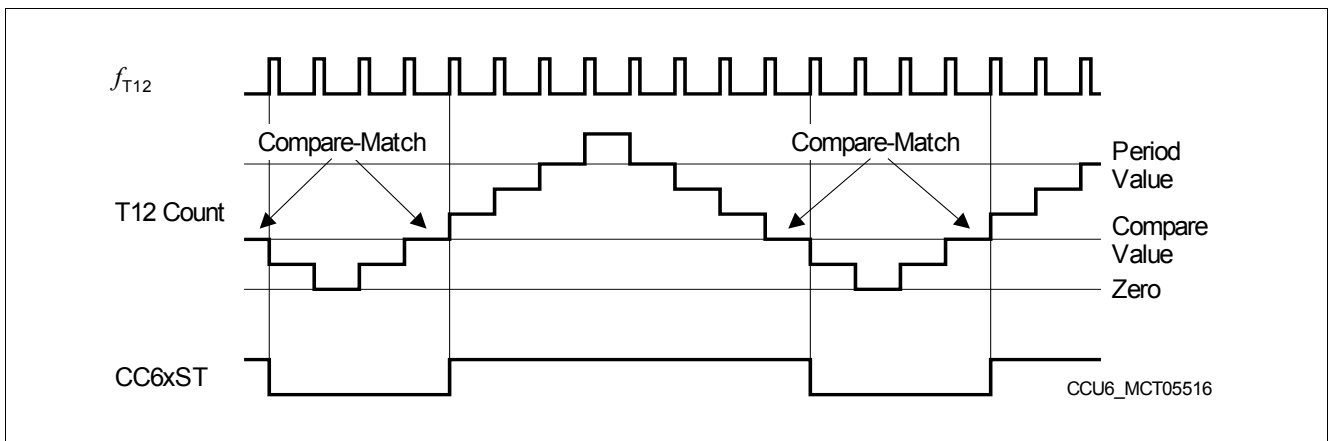


Figure 116 Compare Operation, Center-Aligned Mode

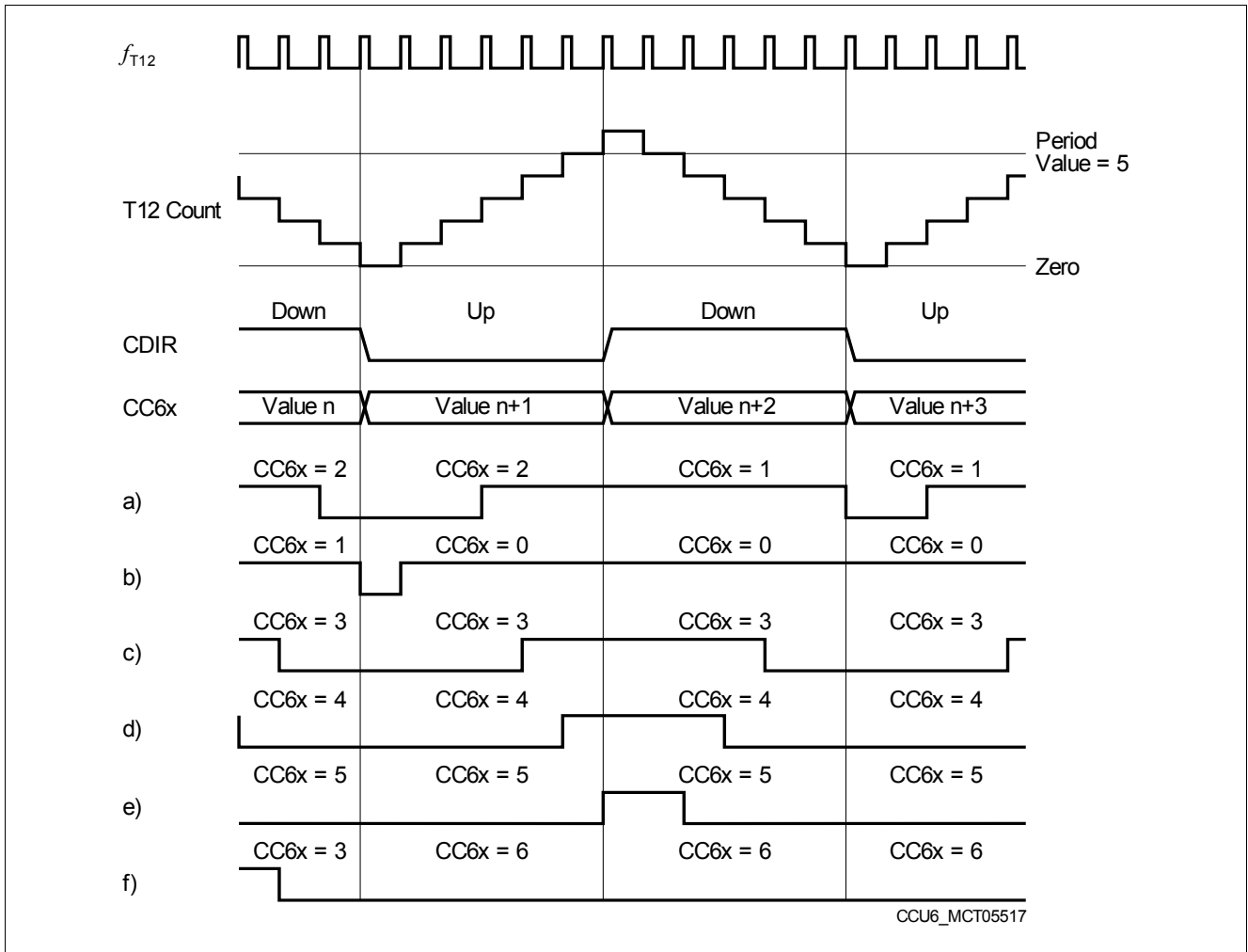


Figure 117 Compare Waveform Examples

Example b) illustrates the transition to a duty cycle of 100%. First, a compare value of 0001_H is used, then changed to 0000_H . Please note that a low pulse with the length of one T12 clock is still produced in the cycle where the new value 0000_H is in effect; this pulse originates from the previous value 0001_H . In the following timer cycles, the State Bit $CC6xST$ remains at 1, producing a 100% duty cycle signal. In this case, the compare rule 'zero-match AND compare-match' is in effect.

Example f) shows the transition to a duty cycle of 0%. The new compare value is set to $\langle \text{Period-Value} \rangle + 1$, and the State Bit $CC6ST$ remains cleared.

Figure 118 illustrates an example for the waveforms of all three channels. With the appropriate dead-time control and output modulation, a very efficient 3-phase PWM signal can be generated.

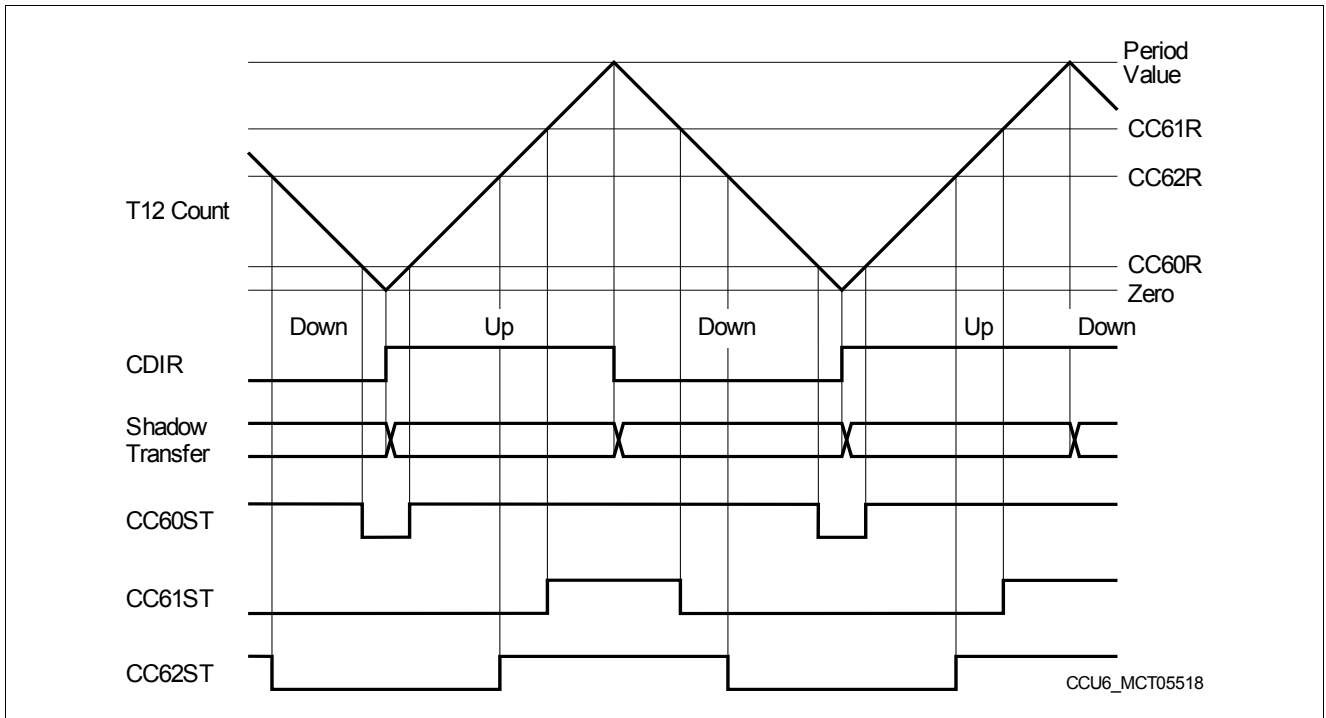


Figure 118 Three-Channel Compare Waveforms

18.3.3.3 Hysteresis-Like Control Mode

The hysteresis-like control mode ($T12MSEL.MSEL6x = 1001_B$) offers the possibility to switch off the PWM output if the input CCPOSx becomes 0 by clearing the State Bit CC6xST. This can be used as a simple motor control feature by using a comparator indicating, e.g., overcurrent. While CCPOSx = 0, the PWM outputs of the corresponding channel are driving their passive levels, because the setting of bit CC6xST is only possible while CCPOSx = 1.

As long as input CCPOSx is 0, the corresponding State Bit is held 0. When CCPOSx is at high level, the outputs can be in active state and are determined by bit CC6xST (see [Figure 114](#) for the state bit logic and [Figure 119](#) for the output paths). The CCPOSx inputs are evaluated with f_{CC6} .

This mode can be used to introduce a timing-related behavior to a hysteresis controller. A standard hysteresis controller detects if a value exceeds a limit and switches its output according to the compare result. Depending on the operating conditions, the switching frequency and the duty cycle are not fixed, but change permanently.

If (outer) time-related control loops based on a hysteresis controller in an inner loop should be implemented, the outer loops show a better behavior if they are synchronized to the inner loops. Therefore, the hysteresis-like mode can be used, that combines timer-related switching with a hysteresis controller behavior. For example, in this mode, an output can be switched on according to a fixed time base, but it is switched off as soon as a falling edge is detected at input CCPOSx.

This mode can also be used for standard PWM with overcurrent protection. As long as there is no low level signal at pin CCPOSx, the output signals are generated in the normal manner as described in the previous sections. Only if input CCPOSx shows a low level, e.g. due to the detection of overcurrent, the outputs are shut off to avoid harmful stress to the system.

18.3.4 Compare Mode Output Path

Figure 119 gives an overview on the signal path from a channel State Bit to its output pin in its simplest form. As illustrated, a user has a variety of controls to determine the desired output signal switching behavior in relation to the current state of the State Bit, CC6xST. Please refer to Section 18.3.4.3 for details on the output modulation.

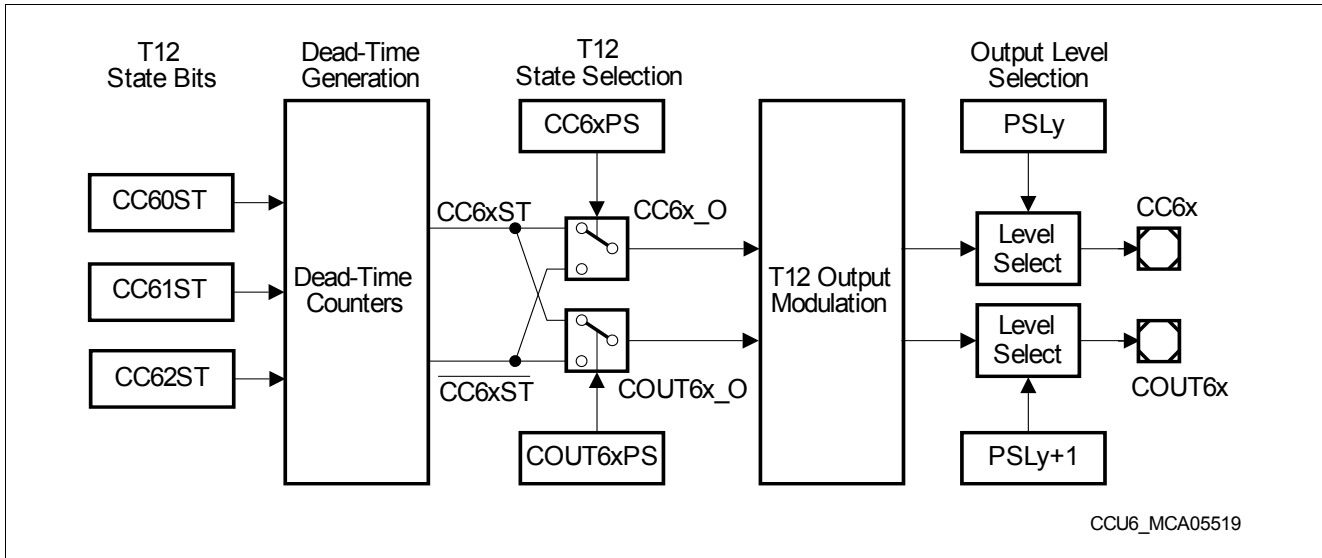


Figure 119 Compare Mode Simplified Output Path Diagram

The output path is based on signals that are defined as active or passive. The terms active and passive are not related to output levels, but to internal actions. This mainly applies for the modulation, where T12 and T13 signals are combined with the multi-channel signals and the trap function. The Output level Selection allows the user to define the output level at the output pin for the passive state (inverted level for the active state). It is recommended to configure this block in a way that an external power switch is switched off while the CCU6 delivers an output signal in the passive state.

18.3.4.1 Dead-Time Generation

The generation of (complementary) signals for the high-side and the low-side switches of one power inverter phase is based on the same compare channel. For example, if the high-side switch should be active while the T12 counter value is above the compare value (State Bit = 1), then the low-side switch should be active while the counter value is below the compare value (State Bit = 0).

In most cases, the switching behavior of the connected power switches is not symmetrical concerning the switch-on and switch-off times. A general problem arises if the time for switch-on is smaller than the time for switch-off of the power device. In this case, a short-circuit can occur in the inverter bridge leg, which may damage the complete system. In order to solve this problem by HW, this capture/compare unit contains a programmable Dead-Time Generation Block, that delays the passive to active edge of the switching signals by a programmable time (the active to passive edge is not delayed).

The Dead-Time Generation Block, illustrated in Figure 120, is built in a similar way for all three channels of T12. It is controlled by bits in register T12DTC. Any change of a CC6xST State Bit activates the corresponding Dead-Time Counter, that is clocked with the same input clock as T12 (f_{T12}). The length of the dead-time can be programmed by bit field DTM. This value is identical for all three channels. Writing TCTR4.DTRES = 1 sets all dead-times to passive.

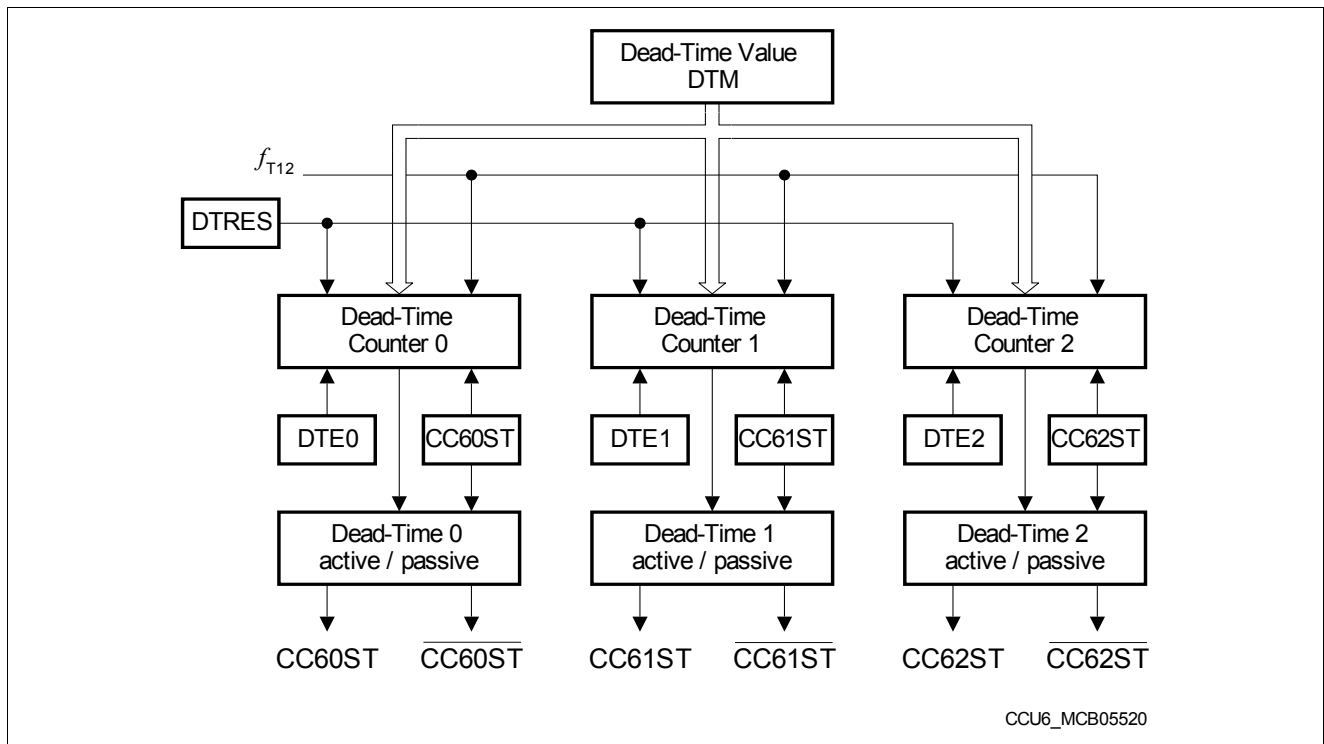


Figure 120 Dead-Time Generation Block Diagram

Each of the three dead-time counters has its individual dead-time enable bit, DTE_x. An enabled dead-time counter generates a dead-time delaying the passive-to-active edge of the channel output signal. The change in a State Bit CC6_xST is not taken into account while the dead-time generation of this channel is currently in progress (active). This avoids an unintentional additional dead-time if a State Bit CC6_xST changes too early.

A disabled dead-time counter is always considered as passive and does not delay any edge of CC6_xST.

Based on the State Bits CC6_xST, the Dead-Time Generation Block outputs a direct signal CC6_xST and an inverted signal $\overline{\text{CC6xST}}$ for each compare channel, each masked with the effect of the related Dead-Time Counters (waveforms illustrated in [Figure 121](#)).

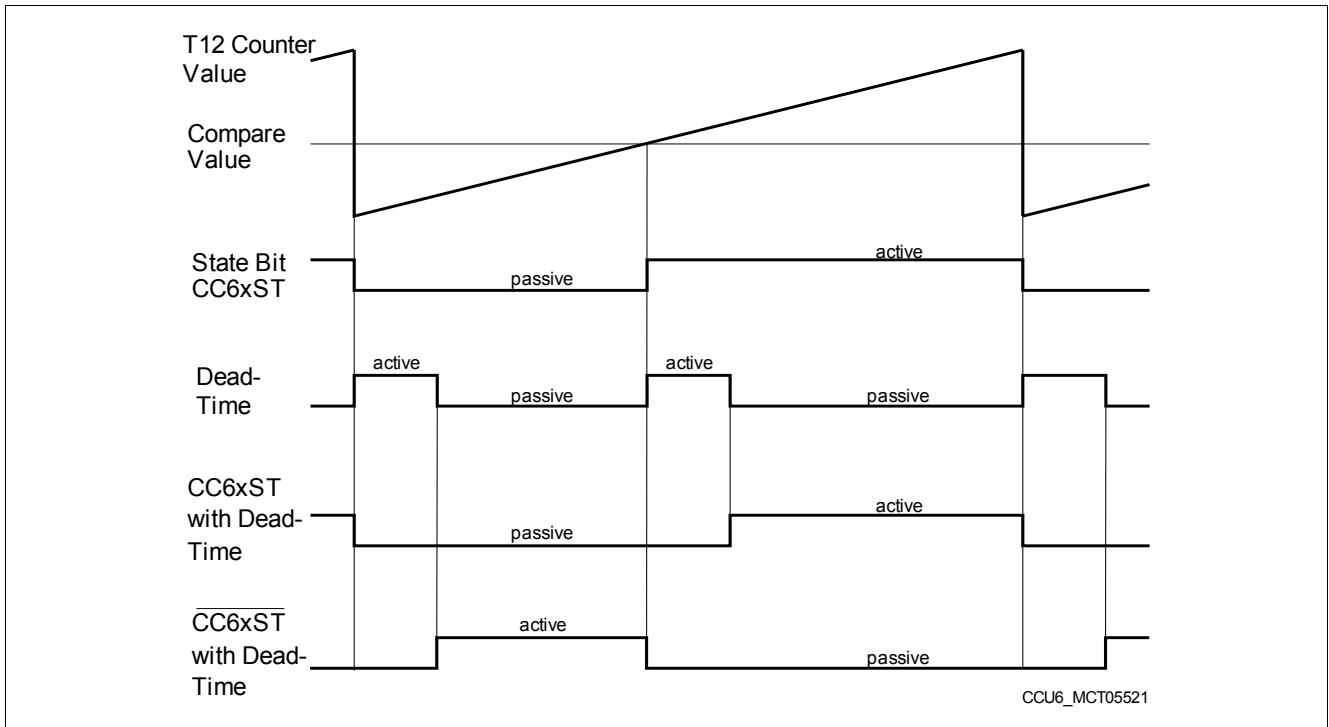


Figure 121 Dead-Time Generation Waveforms

18.3.4.2 State Selection

To support a wide range of power switches and drivers, the state selection offers the flexibility to define when an output can be active and can be modulated, especially useful for **complementary or multi-phase PWM** signals.

The state selection is based on the signals $CC6xST$ and $\overline{CC6xST}$ delivered by the dead-time generator (see [Figure 119](#)). Both signals are never active at the same time, but can be passive at the same time. This happens during the dead-time of each compare channel after a change of the corresponding State Bit $CC6xST$.

The user can select independently for each output signal $CC6xO$ and $COUT6xO$ if it should be active before or after the compare value has been reached (see register $CMPSTAT$). With this selection, the active (conducting) phases of complementary power switches in a power inverter bridge leg can be positioned with respect to the compare value (e.g. signal $CC6xO$ can be active before, whereas $COUT6xO$ can be active after the compare value is reached). Like this, the output modulation, the trap logic and the output level selection can be programmed independently for each output signal, although two output signals are referring to the same compare channel.

18.3.4.3 Output Modulation and Level Selection

The last block of the data path is the Output Modulation block. Here, all the modulation sources and the trap functionality are combined and control the actual level of the output pins (controlled by the modulation enable bits T1xMODENy and MCMEN in register MODCTR). The following signal sources can be combined here **for each T12 output signal** (see [Figure 122](#) for compare channel CC60):

- A **T12 related compare signal** CC6x_O (for outputs CC6x) or COUT6x_O (for outputs COUT6x) delivered by the T12 block (state selection with dead-time) with an individual enable bit T12MODENy per output signal (y = 0, 2, 4 for outputs CC6x and y = 1, 3, 5 for outputs COUT6x)
- The **T13 related compare signal** CC63_O delivered by the T13 state selection with an individual enable bit T13MODENy per output signal (y = 0, 2, 4 for outputs CC6x and y = 1, 3, 5 for outputs COUT6x)
- A **multi-channel output signal** MCMPy (y = 0, 2, 4 for outputs CC6x and y = 1, 3, 5 for outputs COUT6x) with a common enable bit MCMEN
- The **trap state** TRPS with an individual enable bit TRPENy per output signal (y = 0, 2, 4 for outputs CC6x and y = 1, 3, 5 for outputs COUT6x)

If one of the modulation input signals CC6x_O/COUT6x_O, CC63_O, or MCMPy of an output modulation block is enabled and is at passive state, the modulated is also in passive state, regardless of the state of the other signals that are enabled. Only if all enabled signals are in active state the modulated output shows an active state. If no modulation input is enabled, the output is in passive state.

If the Trap State is active (TRPS = 1), then the outputs that are enabled for the trap signal (by TRPENy = 1) are set to the passive state.

The output of each of the modulation control blocks is connected to a level select block that is configured by register PSLR. It offers the option to determine the actual output level of a pin, depending on the state of the output line (decoupling of active/passive state and output polarity) as specified by the Passive State Select bit PSLy. If the modulated output signal is in the passive state, the level specified directly by PSLy is output. If it is in the active state, the inverted level of PSLy is output. This allows the user to adapt the polarity of an active output signal to the connected circuitry.

The PSLy bits have shadow registers to allow for updates without undesired pulses on the output lines. The bits related to CC6x and COUT6x (x = 0, 1, 2) are updated with the T12 shadow transfer signal (T12_ST). A read action returns the actually used values, whereas a write action targets the shadow bits. Providing a shadow register for the PSL value as well as for other values related to the generation of the PWM signal facilitates a concurrent update by software for all relevant parameters.

[Figure 122](#) shows the output modulation structure for compare channel CC60 (output signals CC60 and COUT60). A similar structure is implemented for the other two compare channels CC61 and CC62.

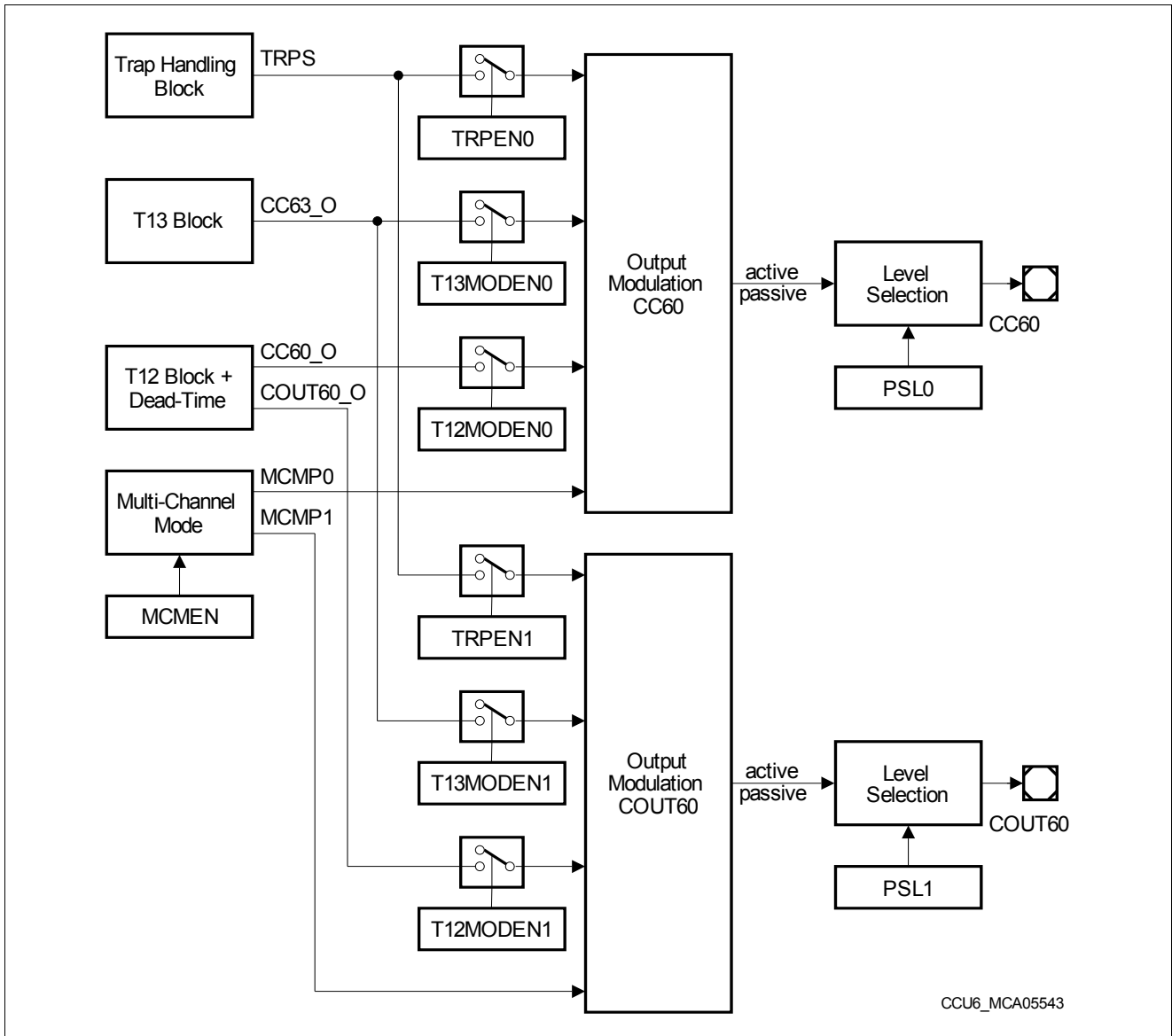


Figure 122 Output Modulation for Compare Channel CC60

18.3.5 T12 Capture Modes

Each of the three channels of the T12 Block can also be used to capture T12 time information in response to an external signal CC6xIN.

In capture mode, the interrupt event CC6x_R is detected when a rising edge is detected at the input CC6xIN, whereas the interrupt event CC6x_F is detected when a falling edge is detected.

There are a number of different modes for capture operation. In all modes, both of the registers of a channel are used. The selection of the capture modes is done via the T12MSEL.MSEL6x bit fields and can be selected individually for each of the channels.

Table 100 Capture Modes Overview

MSEL6x	Mode	Signal	Active Edge	CC6nSR Stored in	T12 Stored in
0100 _B	1	CC6xIN	Rising	–	CC6xR
		CC6xIN	Falling	–	CC6xSR
0101 _B	2	CC6xIN	Rising	CC6xR	CC6xSR
0110 _B	3	CC6xIN	Falling	CC6xR	CC6xSR
0111 _B	4	CC6xIN	Any	CC6xR	CC6xSR

Figure 123 illustrates **Capture Mode 1**. When a rising edge (0-to-1 transition) is detected at the corresponding input signal CC6xIN, the current contents of Timer T12 are captured into register CC6xR. When a falling edge (1-to-0 transition) is detected at the input signal CC6xIN, the contents of Timer T12 are captured into register CC6xSR.

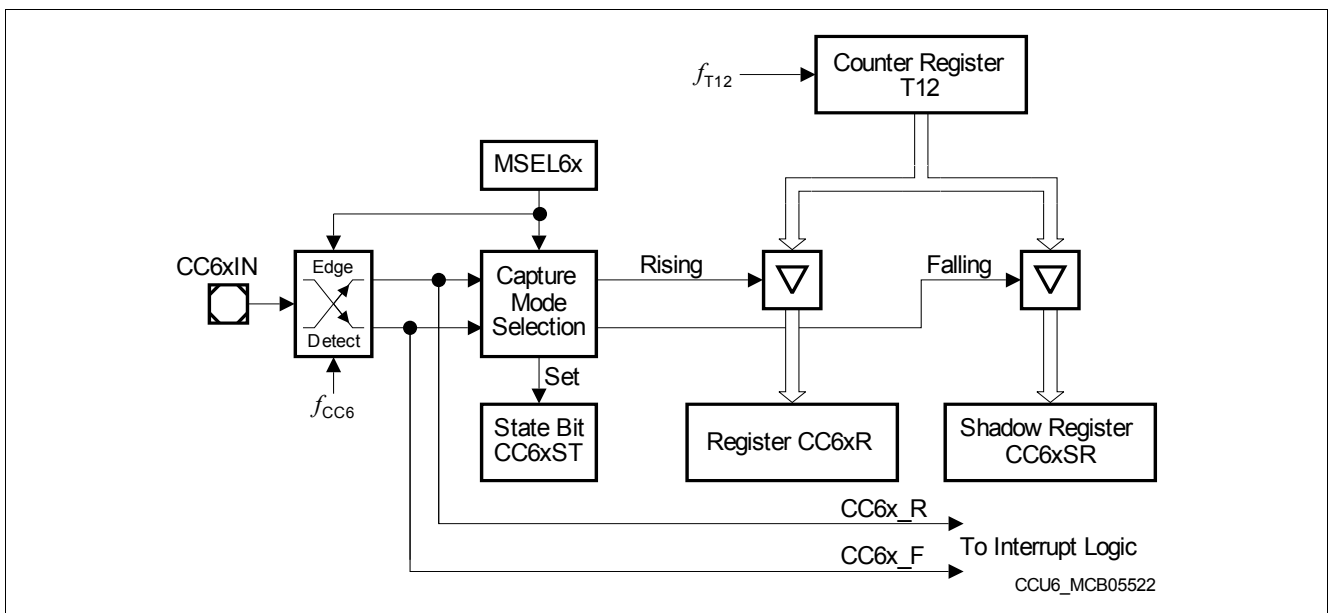


Figure 123 Capture Mode 1 Block Diagram

Capture Modes 2, 3 and 4 are shown in **Figure 124**. They differ only in the active edge causing the capture operation. In each of the three modes, when the selected edge is detected at the corresponding input signal CC6xIN, the current contents of the shadow register CC6xSR are transferred into register CC6xR, and the current Timer T12 contents are captured in register CC6xSR (simultaneous transfer). The active edge is a rising edge of CC6xIN for Capture Mode 2, a falling edge for Mode 3, and both, a rising or a falling edge for Capture Mode 4, as shown in **Table 100**. These capture modes are very useful in cases where there is little time between two consecutive edges of the input signal.

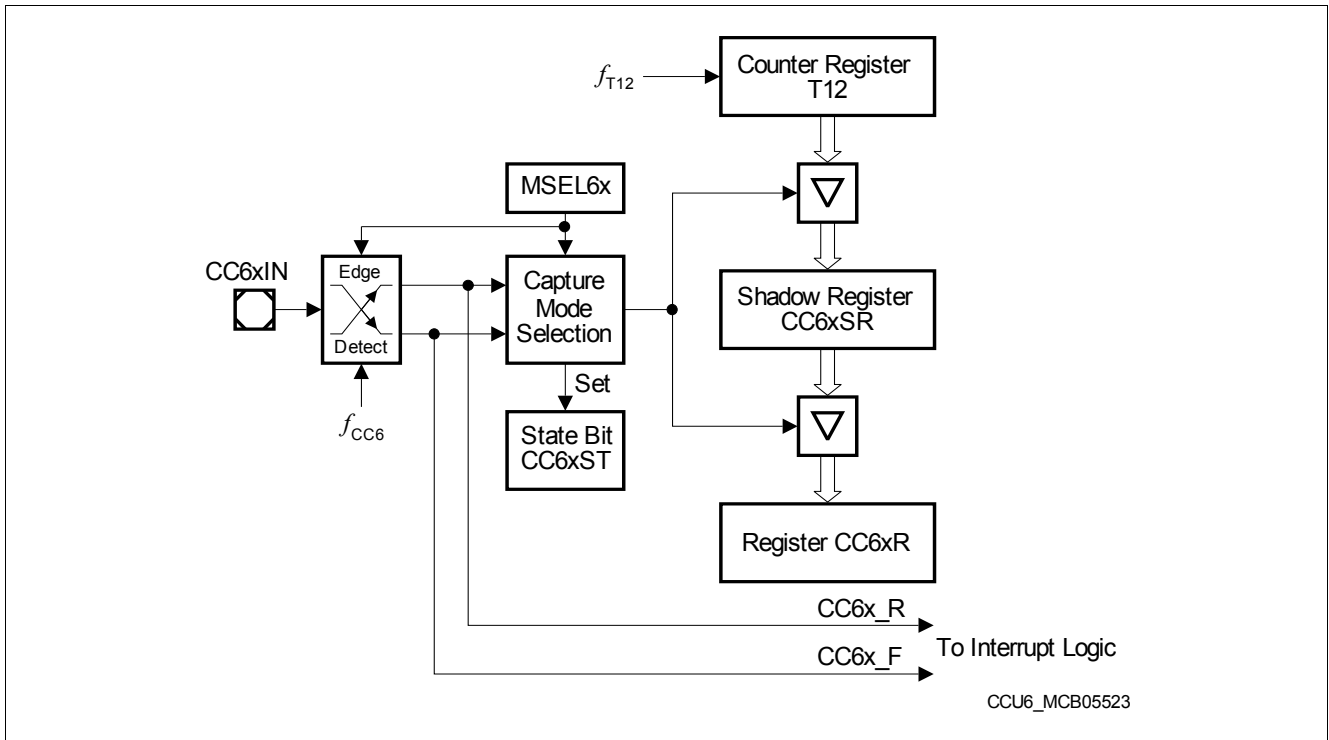


Figure 124 Capture Modes 2, 3 and 4 Block Diagram

Five further capture modes are called **Multi-Input Capture Modes**, as they use two different external inputs, signal CC6xIN and signal CCPOSx.

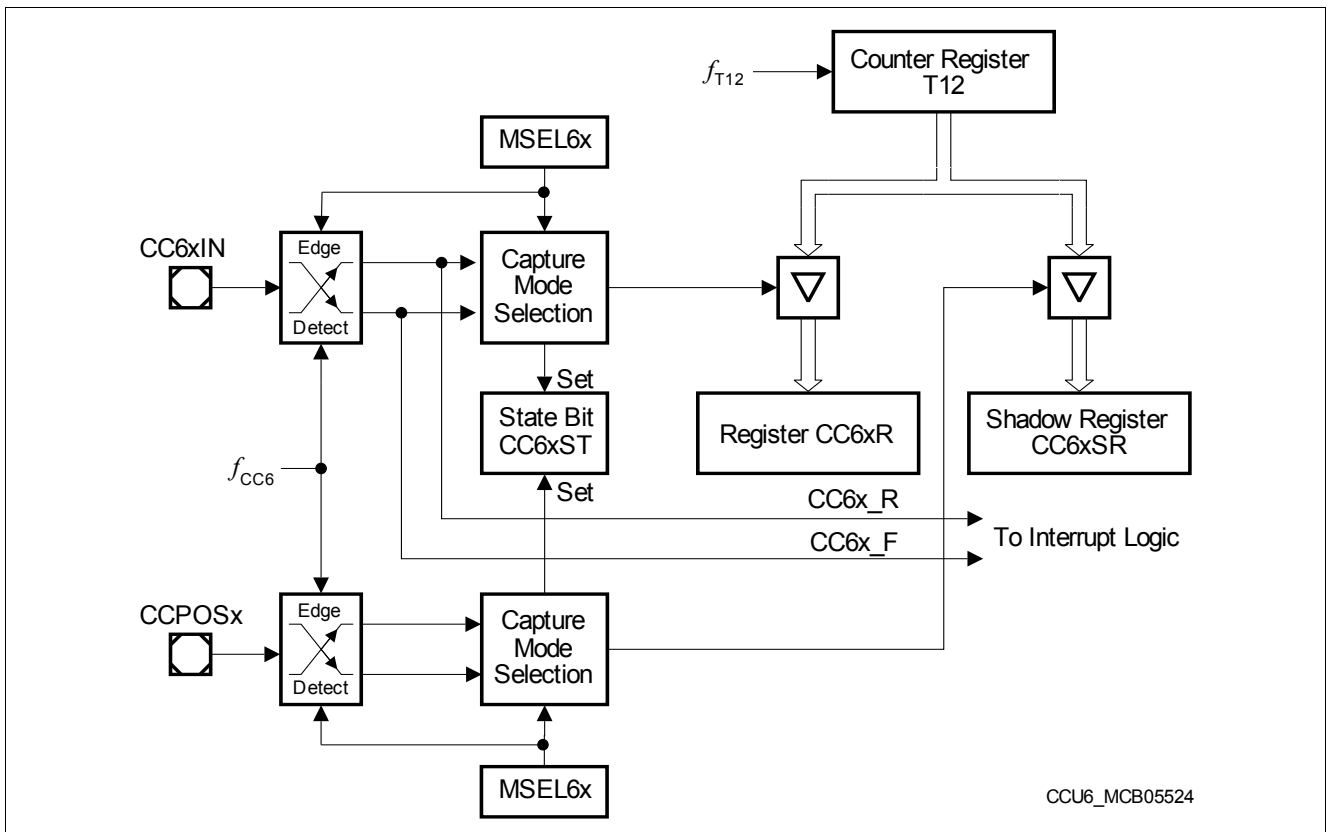


Figure 125 Multi-Input Capture Modes Block Diagram

In each of these modes, the current T12 contents are captured in register CC6xR in response to a selected event at signal CC6xIN, and in register CC6xSR in response to a selected event at signal CCPOSx. The possible events can be opposite input transitions, or the same transitions, or any transition at the two inputs. The different options are detailed in [Table 101](#).

In each of the various capture modes, the Channel State Bit, CC6xST, is set to 1 when the selected capture trigger event at signal CC6xIN or CCPOSx has occurred. The State Bit is not cleared by hardware, but can be cleared by software.

In addition, appropriate signal lines to the interrupt logic are activated, that can generate an interrupt request to the CPU. Regardless of the selected active edge, all edges detected at signal CC6xIN can lead to the activation of the appropriate interrupt request line (see also [Section 18.10](#)).

Table 101 Multi-Input Capture Modes Overview

MSEL6x	Mode	Signal	Active Edge	T12 Stored in
1010 _B	5	CC6xIN	Rising	CC6xR
		CCPOSx	Falling	CC6xSR
1011 _B	6	CC6xIN	Falling	CC6xR
		CCPOSx	Rising	CC6xSR
1100 _B	7	CC6xIN	Rising	CC6xR
		CCPOSx	Rising	CC6xSR
1101 _B	8	CC6xIN	Falling	CC6xR
		CCPOSx	Falling	CC6xSR
1110 _B	9	CC6xIN	Any	CC6xR
		CCPOSx	Any	CC6xSR
1111 _B	–	reserved (no capture or compare action)		

18.3.6 T12 Shadow Register Transfer

A special shadow transfer signal (T12_ST) can be generated to facilitate updating the period and compare values of the compare channels CC60, CC61, and CC62 synchronously to the operation of T12. Providing a shadow register for values defining one PWM period facilitates a concurrent update by software for all relevant parameters. The next PWM period can run with a new set of parameters. The generation of this signal is requested by software via bit TCTR0.STE12 (set by writing 1 to the write-only bit TCTR4.T12STR, cleared by writing 1 to the write-only bit TCTR4.T12STD).

Figure 126 shows the shadow register structure and the shadow transfer signals, as well as on the read/write accessibility of the various registers.

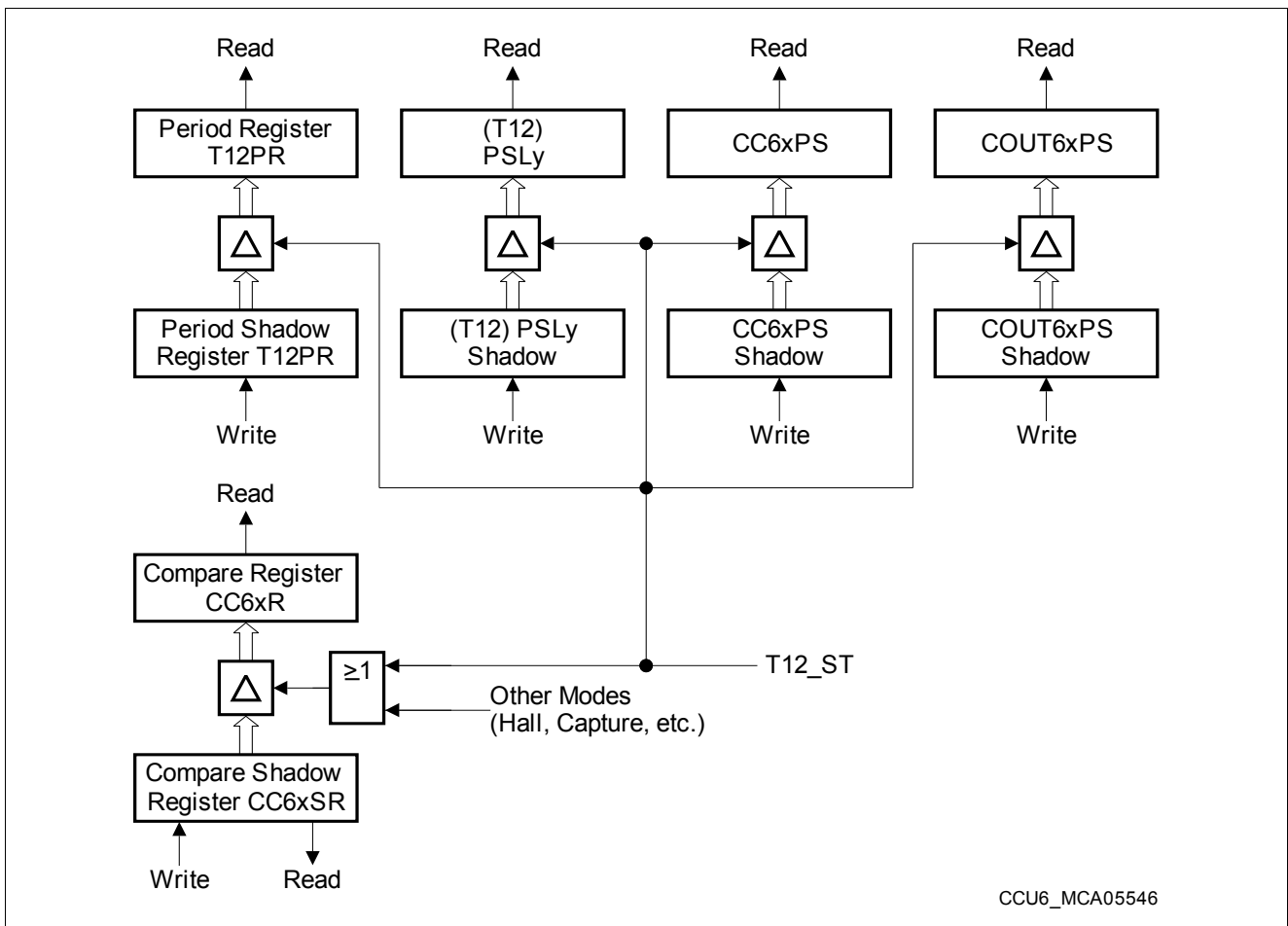


Figure 126 T12 Shadow Register Overview

A T12 shadow register transfer takes place (T12_ST active):

- STE12 = 1 and a Period-Match is detected while counting up, or
- STE12 = 1 and a One-Match is detected while counting down

When signal T12_ST is active, a shadow register transfer is triggered with the next cycle of the T12 clock. Bit STE12 is automatically cleared with the shadow register transfer.

18.3.7 Timer T12 Operating Mode Selection

The operating mode for the T12 channels are defined by the bit fields T12MSEL.MSEL6x.

Table 102 T12 Capture/Compare Modes Overview

MSEL6x	Selected Operating Mode
0000 _B , 1111 _B	Capture/Compare modes switched off
0001 _B , 0010 _B , 0011 _B	Compare mode, see Section 18.3.3 same behavior for all three codings
01XX _B	Double-Register Capture modes, see Section 18.3.5
1000 _B	Hall Sensor Mode, see Section 18.7 In order to properly enable this mode, all three MSEL6x fields have to be programmed to Hall Sensor mode.
1001 _B	Hysteresis-like compare mode, see Section 18.3.3.3
1010 _B , 1011 _B , 1100 _B , 1101 _B , 1110 _B	Multi-Input Capture modes, see Section 18.3.5

The clocking and counting scheme of the timers are controlled by the timer control registers TCTR0 and TCTR2. Specific actions are triggered by write operations to register TCTR4.

18.4 Operating Timer T13

Timer T13 is implemented similarly to Timer T12, but only with one channel in compare mode. A 16-bit up-counter is connected to a channel register via a comparator, that generates a signal when the counter contents match the contents of the channel register. A variety of control functions facilitate the adaptation of the T13 structure to different application needs. In addition, T13 can be started synchronously to timer T12 events.

This section provides information about:

- T13 overview (see [Section 18.4.1](#))
- Counting scheme (see [Section 18.4.2](#))
- Compare mode (see [Section 18.4.3](#))
- Compare output path (see [Section 18.4.4](#))
- Shadow register transfer (see [Section 18.4.5](#))

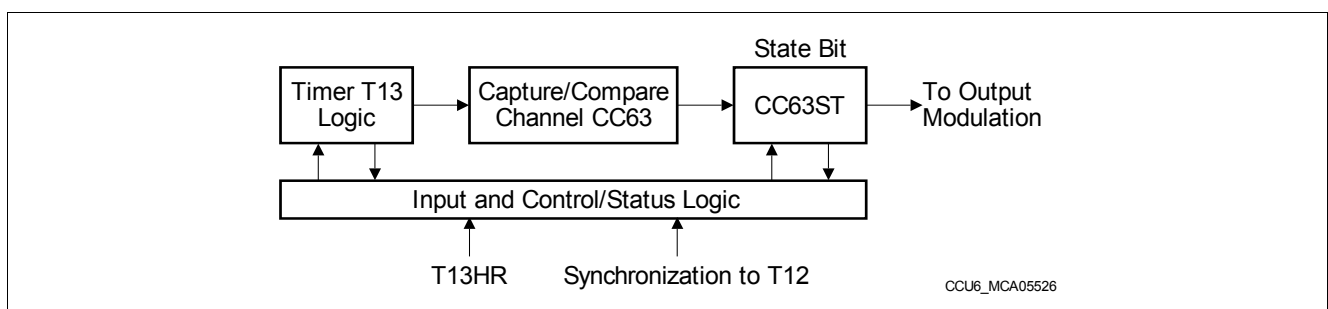


Figure 127 Overview Diagram of the Timer T13 Block

18.4.1 T13 Overview

[Figure 128](#) shows a detailed block diagram of Timer T13. The functions of the timer T12 block are controlled by bits in registers TCTR0, TCTR2, and PISEL2.

Timer T13 receives its input clock, f_{T13} , from the module clock f_{CC6} via a programmable prescaler and an optional 1/256 divider or from an input signal T13HR. T13 can only count up (similar to the Edge-Aligned mode of T13).

Via a comparator, the timer T13 Counter Register T13 is connected to the Period Register T13PR. This register determines the maximum count value for T13. When T13 reaches the period value, signal T13_PM (T13 Period Match) is generated and T13 is cleared to 0000_H with the next T13 clock edge. The Period Register receives a new period value from its Shadow Period Register, T13PS, that is loaded via software. The transfer of a new period value from the shadow register into T13PR is controlled via the 'T13 Shadow Transfer' control signal, T13_ST. The generation of this signal depends on the associated control bit STE13. Providing a shadow register for the period value as well as for other values related to the generation of the PWM signal facilitates a concurrent update by software for all relevant parameters (refer to [Table 18.4.5](#)). Another signal indicates whether the counter contents are equal to 0000_H (T13_ZM).

A Single-Shot control bit, T13SSC, enables an automatic stop of the timer when the current counting period is finished (see [Figure 130](#)).

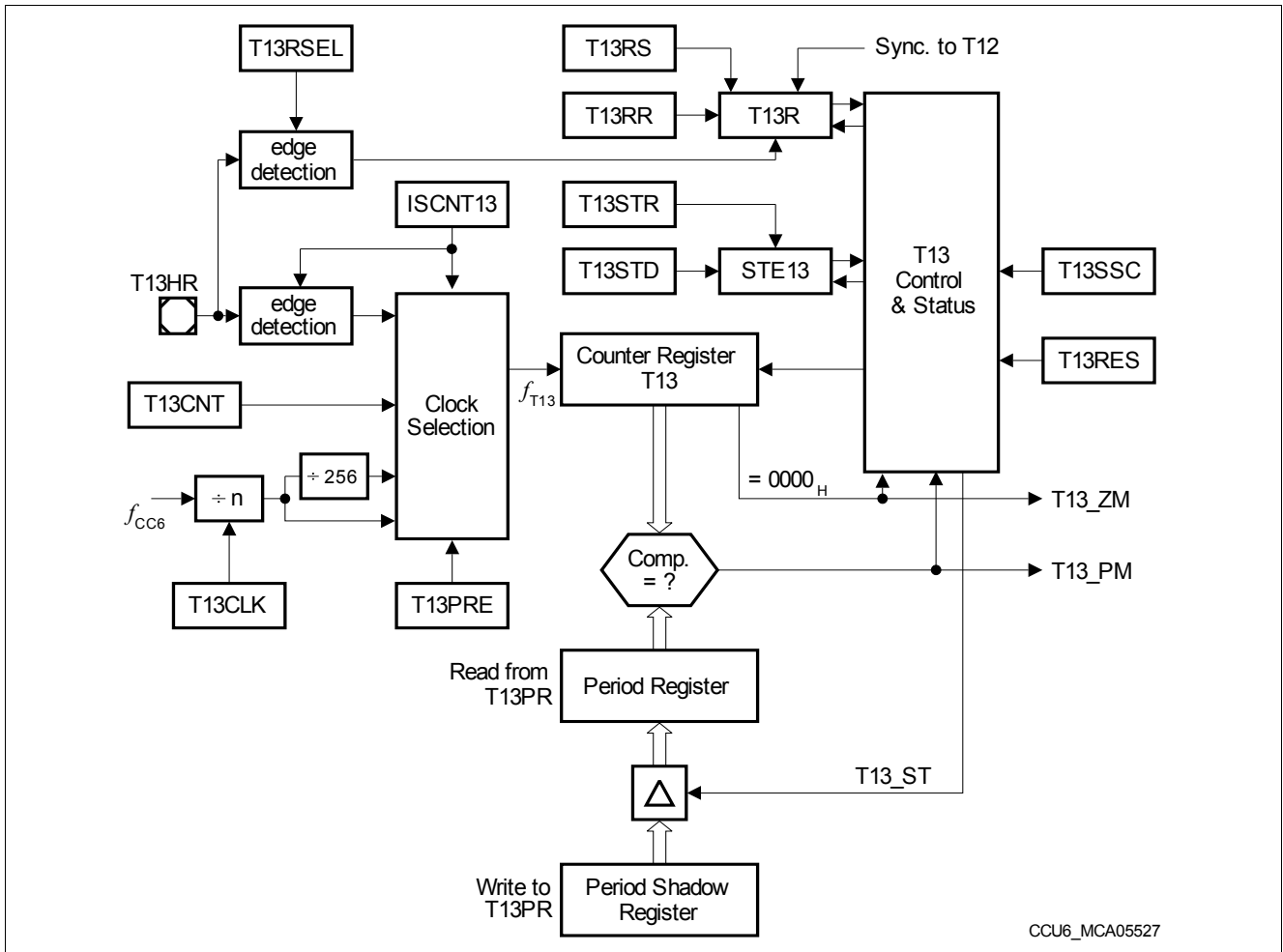


Figure 128 T13 Counter Logic and Period Comparators

The start or stop of T13 is controlled by the Run bit, T13R. This control bit can be set by software via the associated set/clear bits T13RS or T13RR in register TCTR4, or it is cleared by hardware according to preselected conditions (single-shot mode).

The timer T13 run bit T13R must not be set while the applied T13 period value is zero. Bit T13R can be set automatically if an event of T12 is detected to synchronize T13 timings to T12 events, e.g. to generate a programmable delay via T13 after an edge of a T12 compare channel before triggering an AD conversion (T13 can trigger ADC conversions).

Timer T13 can be cleared to 0000_H via control bit T13RES. Setting this write-only bit only clears the timer contents, but has no further effects, e.g., it does not stop the timer.

The generation of the T13 shadow transfer control signal, T13_ST, is enabled via bit STE13. This bit can be set or cleared by software indirectly through its associated set/reset control bits T13STR and T13STD.

Two bit fields, T13TEC and T13TED, control the synchronization of T13 to Timer T12 events. T13TEC selects the trigger event, while T13TED determines for which T12 count direction the trigger should be active.

While Timer T13 is running, write accesses to the count register T13 are not taken into account. If T13 is stopped, write actions to register T13 are immediately taken into account.

Note: The T13 Period Register and its associated shadow register are located at the same physical address. A write access to this address targets the Shadow Register, while a read access reads from the actual period register.

18.4.2 T13 Counting Scheme

This section describes the clocking and the counting capabilities of T13.

18.4.2.1 Clock Selection

In **Timer Mode** (PISEL2.ISCNT13 = 00_B), the input clock f_{T13} of Timer T13 is derived from the internal module clock f_{CC6} through a programmable prescaler and an optional 1/256 divider. The resulting prescaler factors are listed in **Table 103**. The prescaler of T13 is cleared while T13 is not running (TCTR0.T13R = 0) to ensure reproducible timings and delays.

Table 103 Timer T13 Input Clock Options

T13CLK	Resulting Input Clock f_{T13} Prescaler Off (T13PRE = 0)	Resulting Input Clock f_{T13} Prescaler On (T13PRE = 1)
000 _B	f_{CC6}	$f_{CC6} / 256$
001 _B	$f_{CC6} / 2$	$f_{CC6} / 512$
010 _B	$f_{CC6} / 4$	$f_{CC6} / 1024$
011 _B	$f_{CC6} / 8$	$f_{CC6} / 2048$
100 _B	$f_{CC6} / 16$	$f_{CC6} / 4096$
101 _B	$f_{CC6} / 32$	$f_{CC6} / 8192$
110 _B	$f_{CC6} / 64$	$f_{CC6} / 16384$
111 _B	$f_{CC6} / 128$	$f_{CC6} / 32768$

In **Counter Mode**, timer T13 counts one step:

- If a 1 is written to TCTR4.T13CNT and PISEL2.ISCNT13 = 01_B
- If a rising edge of input signal T13HR is detected and PISEL2.ISCNT13 = 10_B
- If a falling edge of input signal T13HR is detected and PISEL2.ISCNT13 = 11_B

18.4.2.2 T13 Counting

The period of the timer is determined by the value in the period Register T13PR according to the following formula:

$$T13_{PER} = \langle \text{Period-Value} \rangle + 1; \text{ in } T13 \text{ clocks } (f_{T13}) \quad (10)$$

Timer T13 can only count up, comparable to the Edge-Aligned mode of T12. This leads to very simple ‘counting rule’ for the T13 counter:

- The counter is cleared with the next T13 clock edge if a Period-Match is detected. The counting direction is always upwards.

The behavior of T13 is illustrated in **Figure 129**.

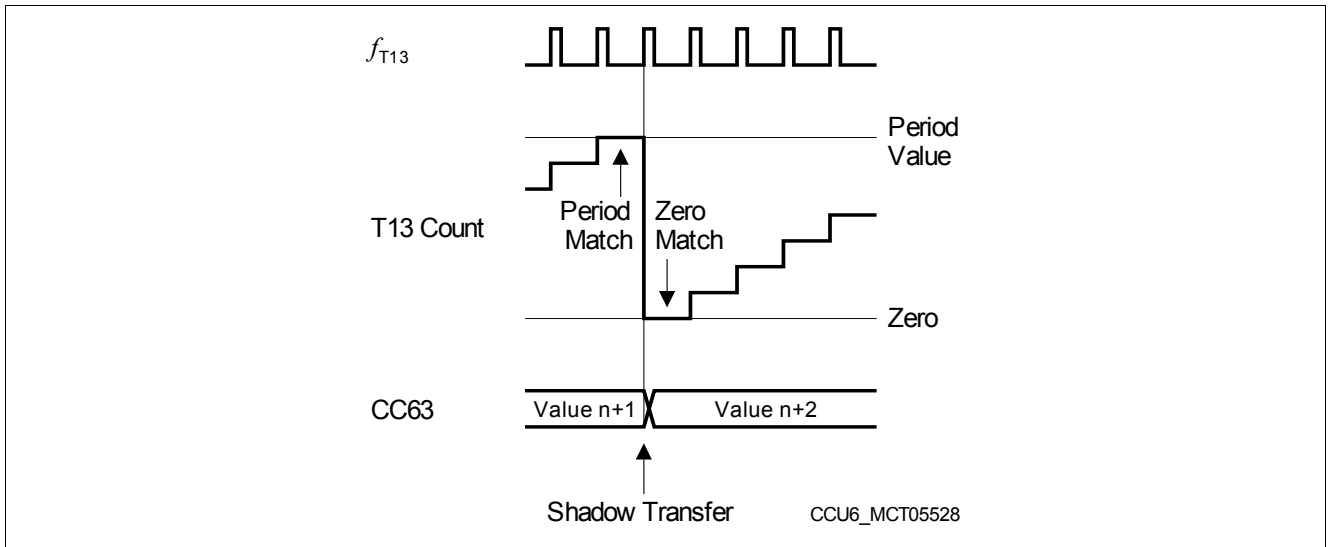


Figure 129 T13 Counting Sequence

18.4.2.3 Single-Shot Mode

In Single-Shot Mode, the timer run bit T13R is cleared by hardware. If bit T13SSC = 1, the timer T13 will stop when the current timer period is finished.

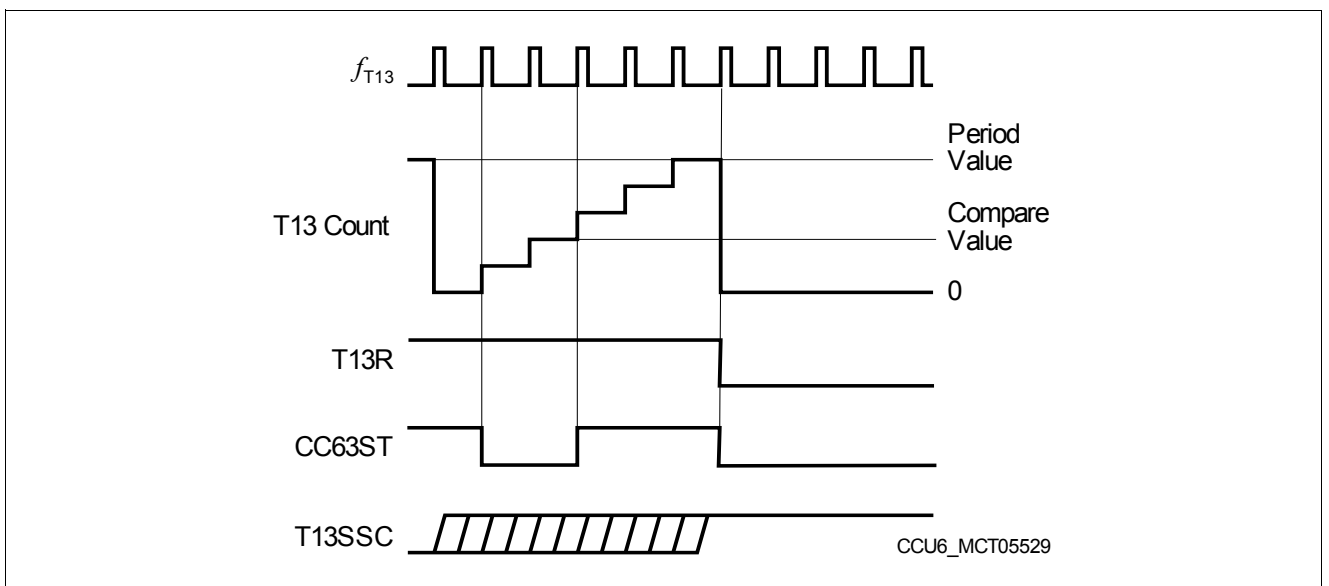


Figure 130 Single-Shot Operation of Timer T13

18.4.2.4 Synchronization to T12

Timer T13 can be synchronized to a T12 event. Bit fields T13TEC and T13TED select the event that is used to start Timer T13. The selected event sets bit T13R via HW, and T13 starts counting. Combined with the Single-Shot mode, this feature can be used to generate a programmable delay after a T12 event.

Figure 131 shows an example for the synchronization of T13 to a T12 event. Here, the selected event is a compare-match (compare value = 2) while counting up. The clocks of T12 and T13 can be different (other prescaler factor); the figure shows an example in which T13 is clocked with half the frequency of T12.

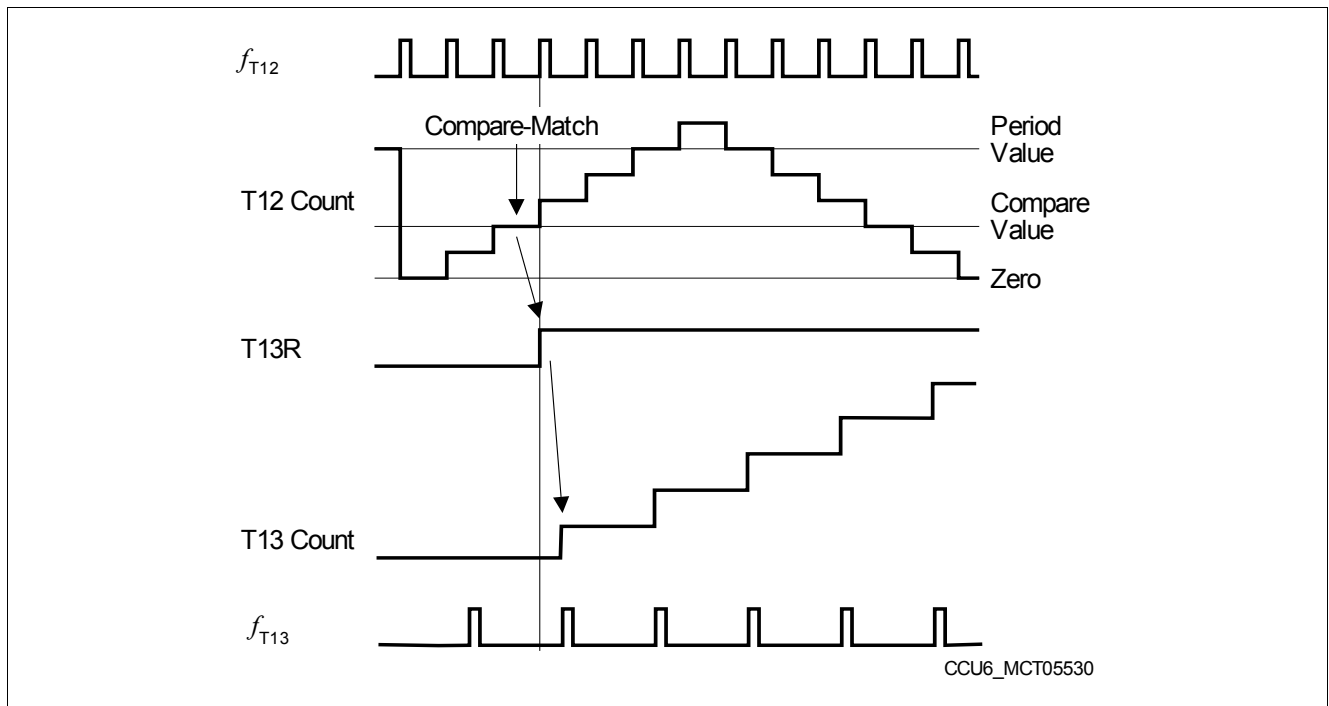


Figure 131 Synchronization of T13 to T12 Compare Match

Bit field T13TEC selects the trigger event to start T13 (automatic set of T13R for synchronization to T12 compare signals) according to the combinations shown in [Table 104](#). Bit field T13TED additionally specifies for which count direction of T12 the selected trigger event should be regarded (see [Table 105](#)).

Table 104 T12 Trigger Event Selection

T13TEC	Selected Event
000 _B	None
001 _B	T12 Compare Event on Channel 0 (CM_CC60)
010 _B	T12 Compare Event on Channel 1 (CM_CC61)
011 _B	T12 Compare Event on Channel 2 (CM_CC62)
100 _B	T12 Compare Event on any Channel (0, 1, 2)
101 _B	T12 Period-Match (T12_PM)
110 _B	T12 Zero-Match while counting up (T12_ZM and CDIR = 0)
111 _B	Any Hall State Change

Table 105 T12 Trigger Event Additional Specifier

T13TED	Selected Event Specifier
00 _B	Reserved, no action
01 _B	Selected event is active while T12 is counting up (CDIR = 0)
10 _B	Selected event is active while T12 is counting down (CDIR = 1)
11 _B	Selected event is active independently of the count direction of T12

18.4.3 T13 Compare Mode

Associated with Timer T13 is one compare channel, that can perform compare operations with regard to the contents of the T13 counter.

Figure 127 gives an overview on the T13 channel in Compare Mode. The channel is connected to the T13 counter register via an equal-to comparator, generating a compare match signal when the contents of the counter matches the contents of the compare register.

The channel consists of the comparator and a double register structure - the actual compare register, CC63R, feeding the comparator, and an associated shadow register, CC63SR, that is preloaded by software and transferred into the compare register when signal T13 shadow transfer, T13_ST, gets active. Providing a shadow register for the compare value as well as for other values related to the generation of the PWM signal facilitates a concurrent update by software for all relevant parameters.

Associated with the channel is a State Bit, CMPSTAT.CC63ST, holding the status of the compare operation.

Figure 132 gives an overview on the logic for the State Bit.

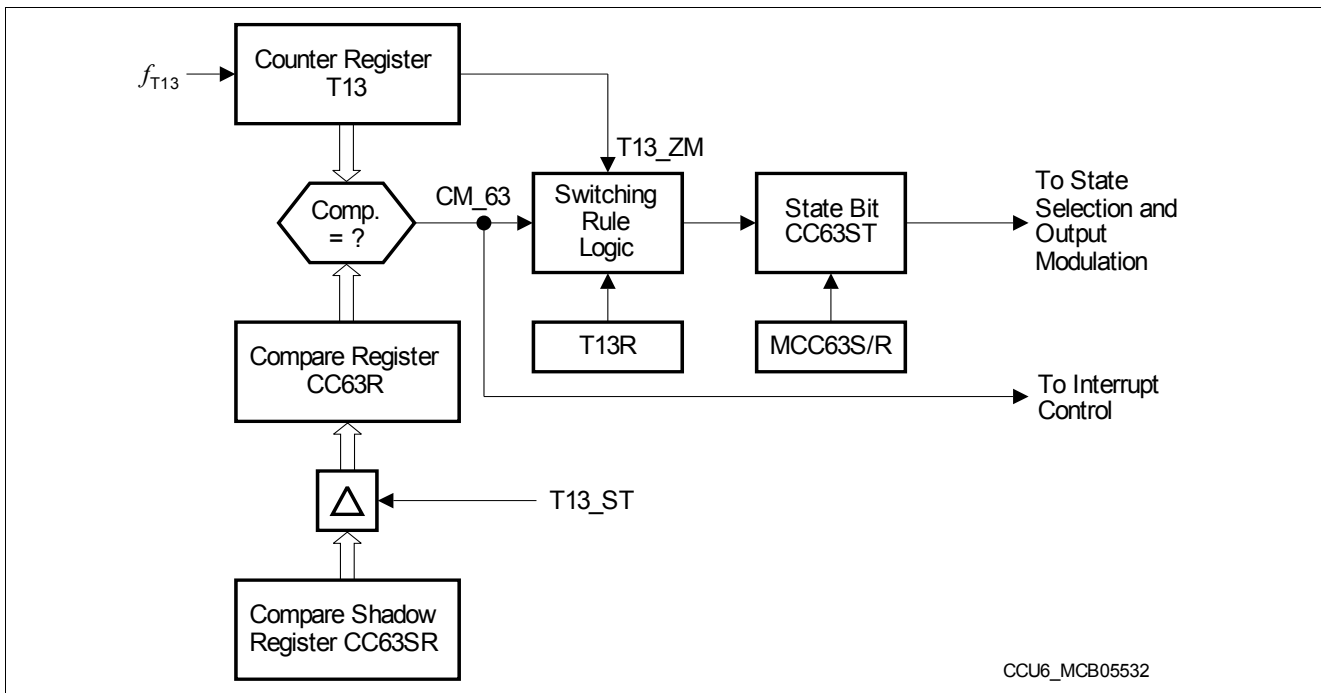


Figure 132 T13 State Bit Block Diagram

A compare interrupt event CM_63 is signaled when a compare match is detected. The actual setting of a State Bit has no influence on the interrupt generation.

The inputs to the switching rule logic for the CC63ST bit are the timer run bit (T13R), the timer zero-match signal (T13_ZM), and the actual individual compare-match signal CM_63. In addition, the state bit can be set or cleared by software via bits MCC63S and MCC63R in register CMPMODIF.

A modification of the State Bit CC63ST by hardware is only possible while Timer T13 is running (T13R = 1). If this is the case, the following switching rules apply for setting and resetting the State Bit in Compare Mode:

State Bit CC63ST is set to 1

- with the next T13 clock (f_{T13}) after a compare-match (T13 is always counting up) (i.e., when the counter is incremented above the compare value);
- with the next T13 clock (f_{T13}) after a zero-match AND a parallel compare-match.

State Bit CC63ST is cleared to 0

- with the next T13 clock (f_{T13}) after a zero-match AND NO parallel compare-match.

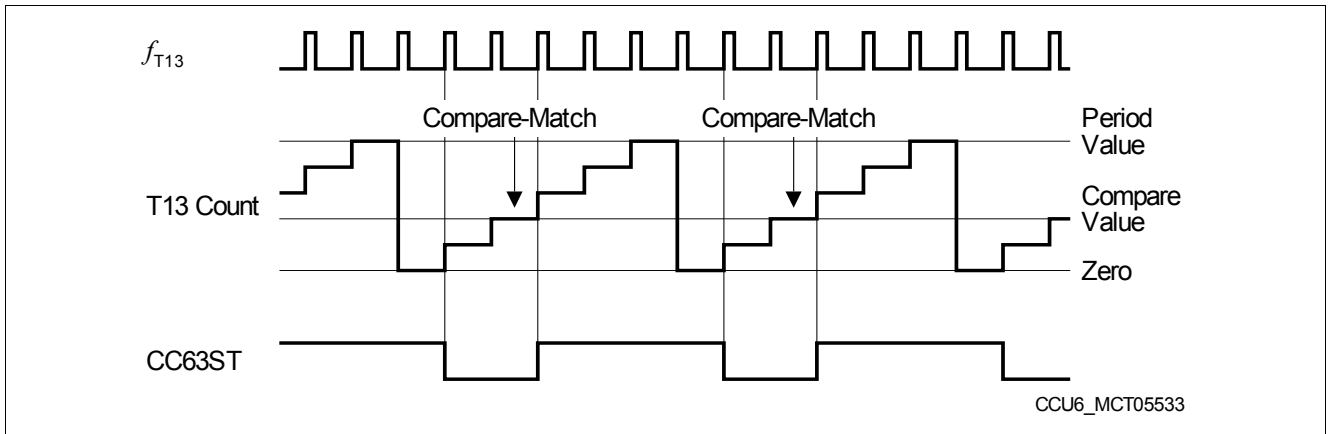


Figure 133 T13 Compare Operation

18.4.4 Compare Mode Output Path

Figure 134 gives an overview on the signal path from the channel State Bit CC63ST to its output pin COUT63. As illustrated, a user can determine the desired output behavior in relation to the current state of CC63ST. Please refer to Section 18.3.4.3 for detailed information on the output modulation for T12 signals.

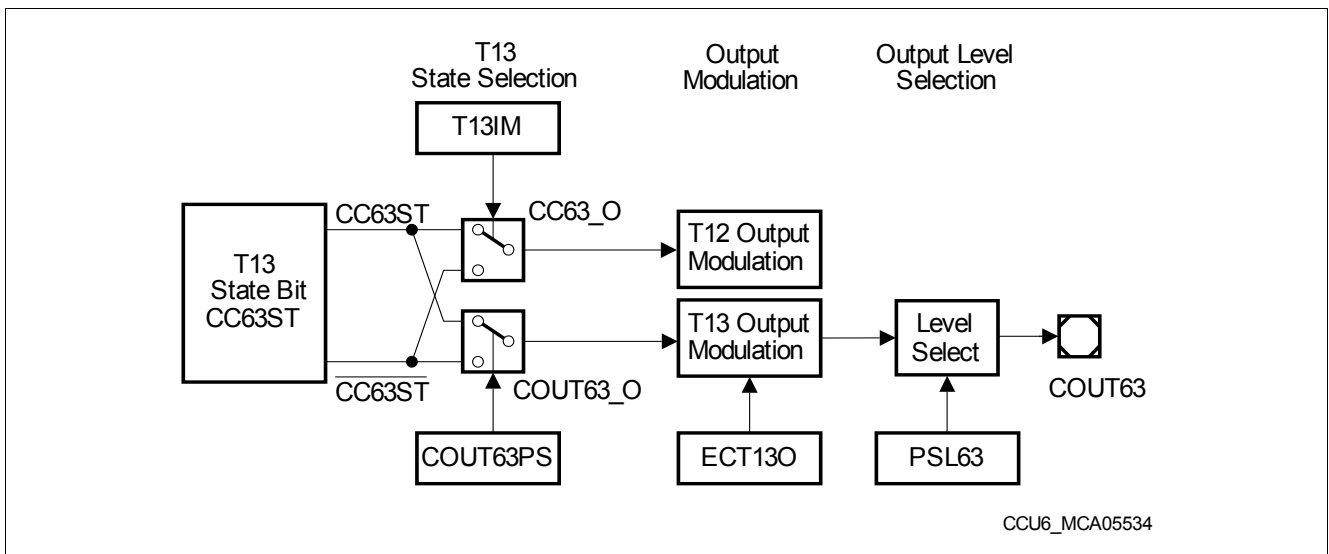


Figure 134 Channel 63 Output Path

The output line COUT63_O can generate a T13 PWM at the output pin COUT63. The signal CC63_O can be used to modulate the T12-related output signals with a T13 PWM. In order to decouple COUT63 from the internal modulation, the compare state leading to an active signal can be selected independently by bits T13IM and COUT63PS.

The last block of the data path is the Output Modulation block. Here, the modulation source T13 and the trap functionality are combined and control the actual level of the output pin COUT63 (see Figure 135):

- The **T13 related compare signal** COUT63_O delivered by the T13 state selection with the enable bit MODCTR.ECT130
- The **trap state** TRPS with an individual enable bit TRPCTR.TRPEN13

If the modulation input signal COUT63_O is enabled (ECT130 = 1) and is at passive state, the modulated is also in passive state. If the modulation input is not enabled, the output is in passive state.

If the Trap State is active (TRPS = 1), then the output enabled for the trap signal (by TRPEN13 = 1) is set to the passive state.

The output of the modulation control block is connected to a level select block. It offers the option to determine the actual output level of a pin, depending on the state of the output line (decoupling of active/passive state and output polarity) as specified by the Passive State Select bit PSLR.PSL63. If the modulated output signal is in the passive state, the level specified directly by PSL63 is output. If it is in the active state, the inverted level of PSL63 is output. This allows the user to adapt the polarity of an active output signal to the connected circuitry.

The PSL63 bit has a shadow register to allow for updates with the T13 shadow transfer signal (T13_ST) without undesired pulses on the output lines. A read action returns the actually used value, whereas a write action targets the shadow bit. Providing a shadow register for the PSL value as well as for other values related to the generation of the PWM signal facilitates a concurrent update by software for all relevant parameters.

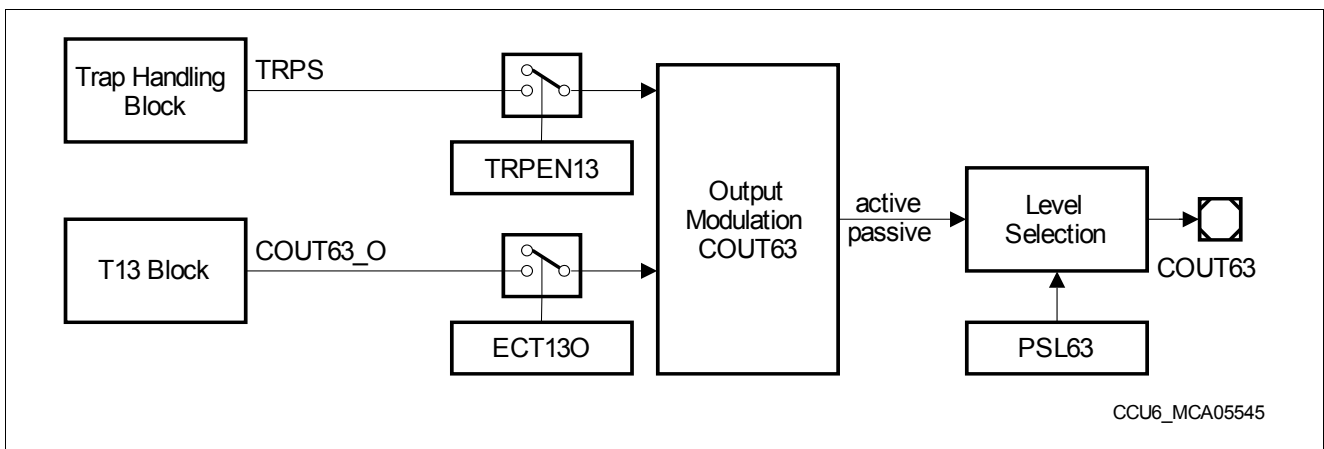


Figure 135 T13 Output Modulation

18.4.5 T13 Shadow Register Transfer

A special shadow transfer signal (T13_ST) can be generated to facilitate updating the period and compare values of the compare channel CC63 synchronously to the operation of T13. Providing a shadow register for values defining one PWM period facilitates a concurrent update by software for all relevant parameters. The next PWM period can run with a new set of parameters. The generation of this signal is requested by software via bit TCTR0.STE13 (set by writing 1 to the write-only bit TCTR4.T13STR, cleared by writing 1 to the write-only bit TCTR4.T13STD).

When signal T13_ST is active, a shadow register transfer is triggered with the next cycle of the T13 clock. Bit STE13 is automatically cleared with the shadow register transfer. A T13 shadow register transfer takes place (T13_ST active):

- while timer T13 is not running (T13R = 0), or
- STE13 = 1 and a Period-Match is detected while T13R = 1

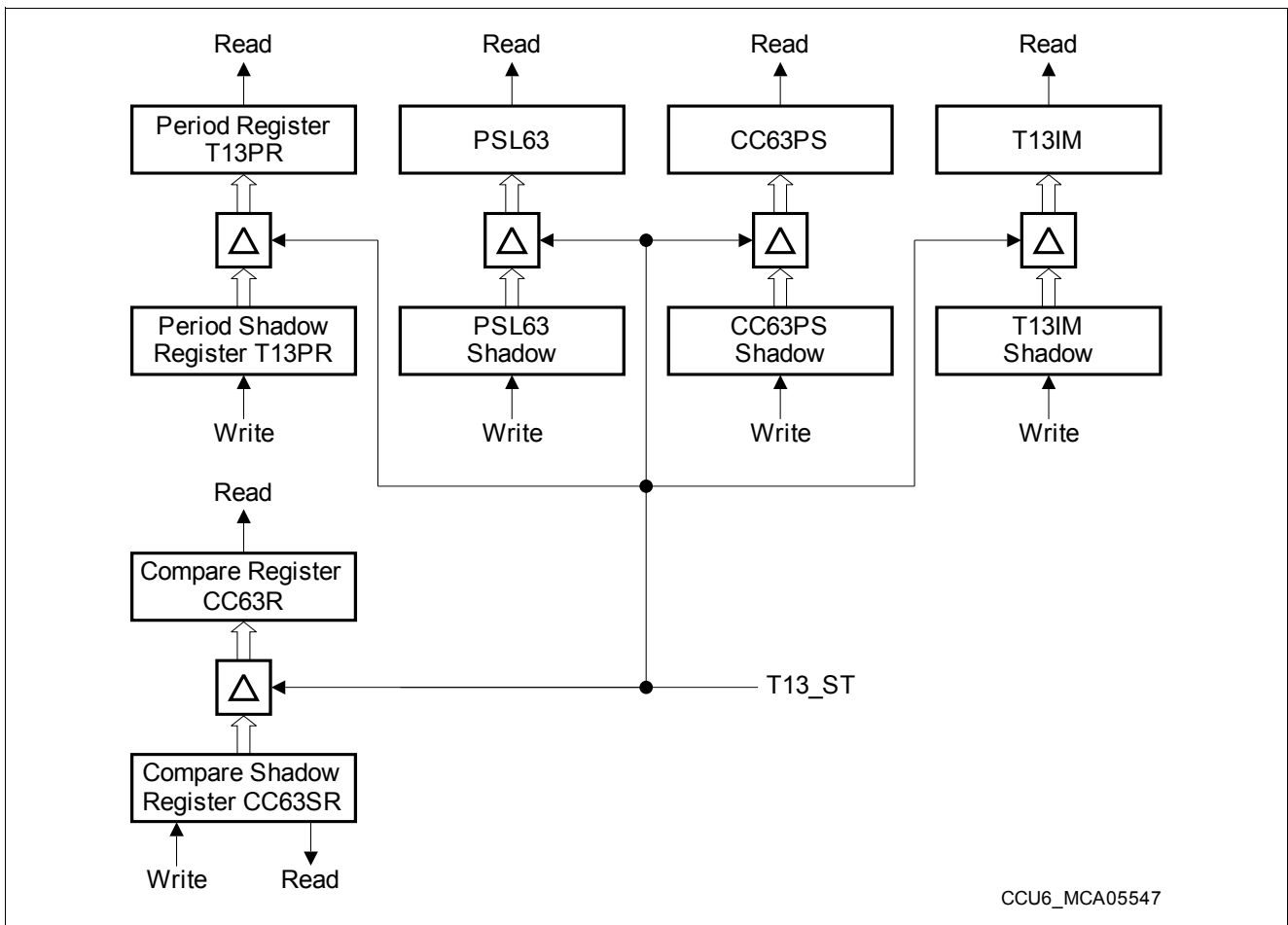


Figure 136 T13 Shadow Register Overview

18.5 Trap Handling

The trap functionality permits the PWM outputs to react on the state of the input signal \overline{CTRAP} . This functionality can be used to switch off the power devices if the trap input becomes active (e.g. to perform an emergency stop). The trap handling and the effect on the output modulation are controlled by the bits in the trap control register TRPCTR. The trap flags TRPF and TRPS are located in register IS and can be set/cleared by SW by writing to registers ISS and ISR.

Figure 137 gives an overview on the trap function.

The Trap Flag TRPF monitors the trap input and initiates the entry into the Trap State. The Trap State Bit TRPS determines the effect on the outputs and controls the exit of the Trap State.

When a trap condition is detected ($\overline{CTRAP} = 0$) and the input is enabled (TRPPEN = 1), both, the Trap Flag TRPF and the Trap State Bit TRPS, are set to 1 (trap state active). The output of the Trap State Bit TRPS leads to the Output Modulation Blocks (for T12 and for T13) and can there deactivate the outputs (set them to the passive state). Individual enable control bits for each of the six T12-related outputs and the T13-related output facilitate a flexible adaptation to the application needs.

There are a number of different ways to exit the Trap State. This offers SW the option to select the best operation for the application. Exiting the Trap State can be done either immediately when the trap condition is removed ($\overline{CTRAP} = 1$ or TRPPEN = 0), or under software control, or synchronously to the PWM generated by either Timer T12 or Timer T13.

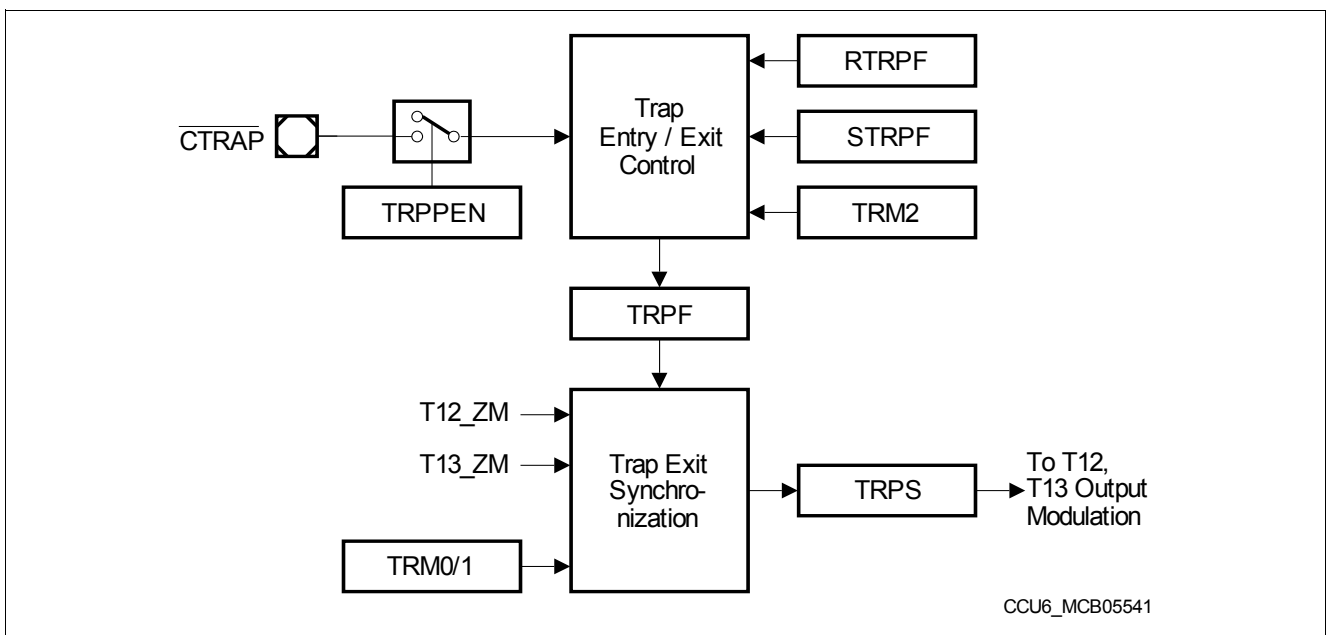


Figure 137 Trap Logic Block Diagram

Clearing of \overline{TRPF} is controlled by the mode control bit TRPM2. If TRPM2 = 0, TRPF is automatically cleared by HW when \overline{CTRAP} returns to the inactive level ($\overline{CTRAP} = 1$) or if the trap input is disabled (TRPPEN = 0). When TRPM2 = 1, TRPF must be reset by SW after \overline{CTRAP} has become inactive.

Clearing of TRPS is controlled by the mode control bits TRPM1 and TRPM0 (located in the Trap Control Register TRPCTR). A reset of TRPS terminates the Trap State and returns to normal operation. There are three options selected by TRPM1 and TRPM0. One is that the Trap State is left immediately when the Trap Flag TRPF is cleared, without any synchronization to timers T12 or T13. The other two options facilitate the synchronization of the termination of the Trap State to the count periods of either Timer T12 or Timer T13. Figure 138 gives an overview on the associated operation.

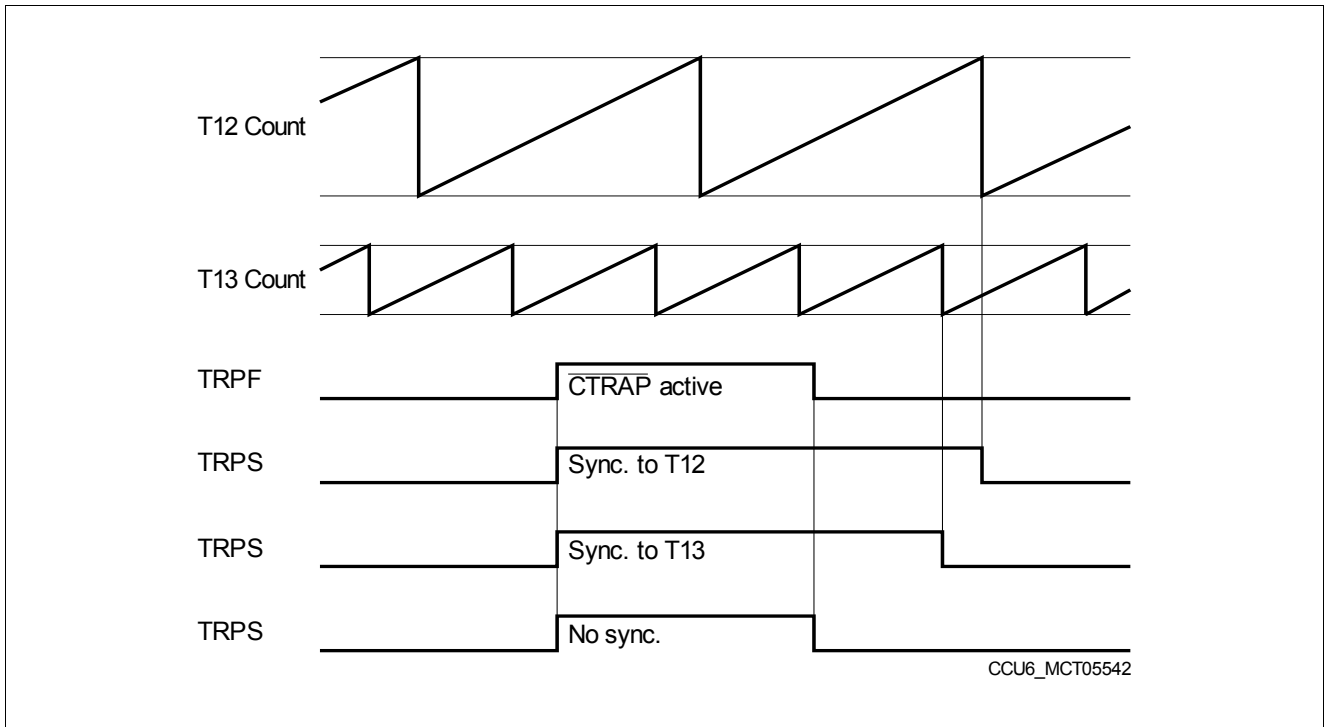


Figure 138 Trap State Synchronization (with TRM2 = 0)

18.6 Multi-Channel Mode

The Multi-Channel mode offers the possibility to modulate all six T12-related output signals with one instruction. The bits in bit field MCMOUT.MCMP are used to specify the outputs that may become active. If Multi-Channel mode is enabled (bit MODCTR.MCMEN = 1), only those outputs may become active, that have a 1 at the corresponding bit position in bit field MCMP.

This bit field has its own shadow bit field MCMOUTS.MCMPS, that can be written by software. The transfer of the new value in MCMPS to the bit field MCMP can be triggered by, and synchronized to, T12 or T13 events. This structure permits the software to write the new value, that is then taken into account by the hardware at a well-defined moment and synchronized to a PWM signal. This avoids unintended pulses due to unsynchronized modulation sources.

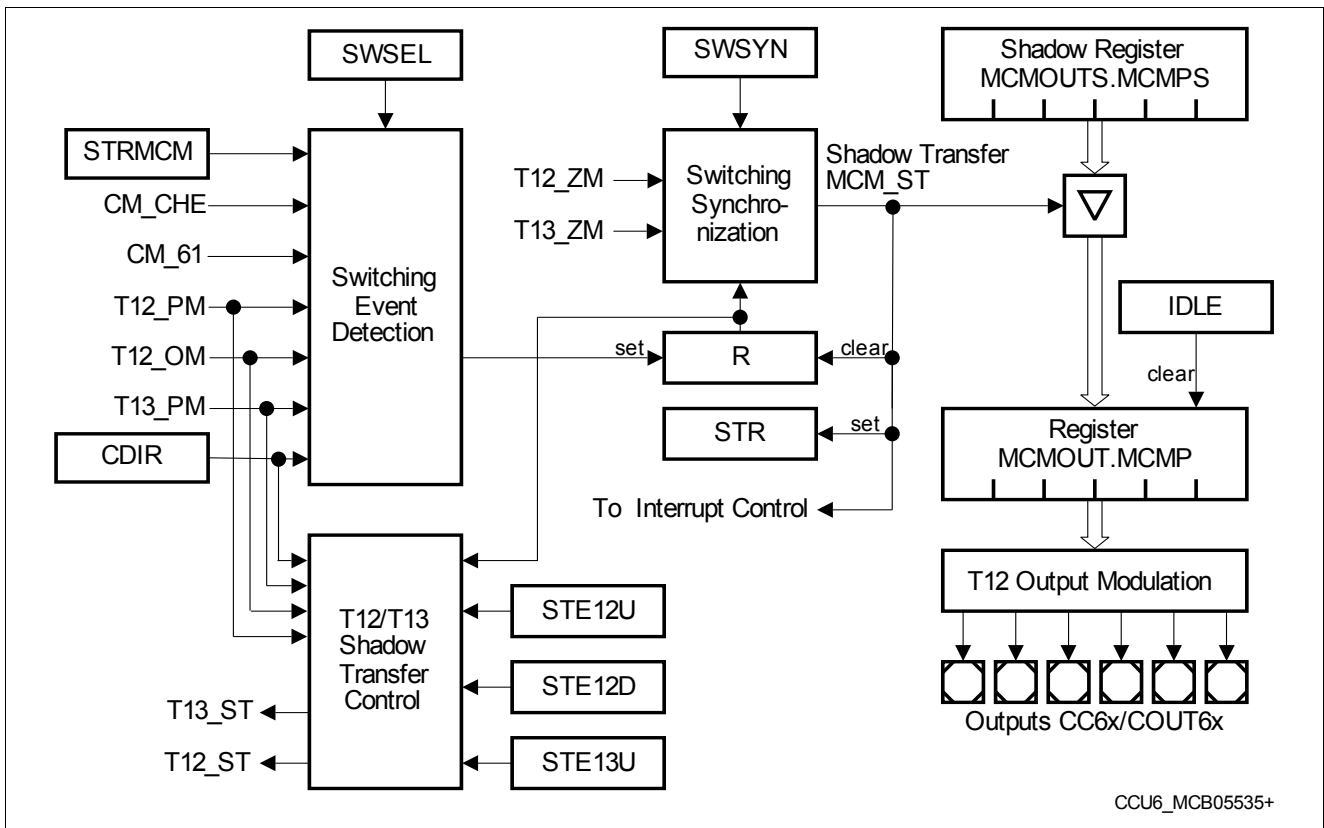


Figure 139 Multi-Channel Mode Block Diagram

Figure 139 shows the functional blocks for the Multi-Channel operation, controlled by bit fields in register MCMCTR. The event that triggers the update of bit field MCMP is chosen by SWSEL. In order to synchronize the update of MCMP to a PWM generated by T12 or T13, bit field SWSYN allows the selection of the synchronization event leading to the transfer from MCMPS to MCMP. Due to this structure, an update takes place with a new PWM period. A reminder flag R is set when the selected switching event occurs (the event is not necessarily synchronous to the modulating PWM), and is cleared when the transfer takes place. This flag can be monitored by software to check for the status of this logic block. If the shadow transfer from MCMPS to MCMP takes place, bit IS.STR becomes set and an interrupt can be generated.

In addition to the Multi-Channel shadow transfer event MCM_ST, the shadow transfers for T12 (T12_ST) and T13 (T13_ST) can be generated to allow concurrent updates of applied duty cycles for T12 and/or T13 modulation and Multi-Channel patterns.

If it is explicitly desired, the update takes place immediately with the occurrence of the selected event when the direct synchronization mode is selected. The update can also be requested by software by writing to bit field

MCMPS with the shadow transfer request bit STRMCM = 1. The option to trigger an update by SW is possible for all settings of SWSEL.

By using the direct mode and bit STRMCM = 1, the update takes place completely under software control.

Table 106 Multi-Channel Mode Switching Event Selection

SWSEL	Selected Event (see register MCMCTR)
000 _B	No automatic event detection
001 _B	Correct Hall Event (CM_CHE) detected at input signals CCPOSx without additional delay
010 _B	T13 Period-Match (T13_PM)
011 _B	T12 One-Match while counting down (T12_OM and CDIR = 1)
100 _B	T12 Compare Channel 1 Event while counting up (CM_61 and CDIR = 0) to support the phase delay function by CC61 for block commutation mode.
101 _B	T12 Period-Match while counting up (T12_PM and CDIR = 0)
110 _B , 111 _B	Reserved, no action

Table 107 Multi-Channel Mode Switching Synchronization

SWSYN	Synchronization Event (see register MCMCTR)
00 _B	Direct Mode: the trigger event directly causes the shadow transfer
01 _B	T13 Zero-Match (T13_ZM), the MCM shadow transfer is synchronized to a T13 PWM
10 _B	T12 Zero-Match (T12_ZM), the MCM shadow transfer is synchronized to a T12 PWM
11 _B	Reserved, no action

18.7 Hall Sensor Mode

For Brushless DC-Motors in block commutation mode, the Multi-Channel Mode has been introduced to provide efficient means for switching pattern generation. These patterns need to be output in relation to the angular position of the motor. For this, usually Hall sensors or Back-EMF sensing are used to determine the angular rotor position. The CCU6 provides three inputs, CCPOS0, CCPOS1, and CCPOS2, that can be used as inputs for the Hall sensors or the Back-EMF detection signals.

There is a strong correlation between the motor position and the output modulation pattern. When a certain position of the motor has been reached, indicated by the sampled Hall sensor inputs (the Hall pattern), the next, pre-determined Multi-Channel Modulation pattern has to be output. Because of different machine types, the modulation pattern for driving the motor can vary. Therefore, it is wishful to have a wide flexibility in defining the correlation between the Hall pattern and the corresponding Modulation pattern. Furthermore, a hardware mechanism significantly reduces the CPU for block-commutation.

The CCU6 offers the flexibility by having a register containing the currently assumed Hall pattern (CURH), the next expected Hall pattern (EXPH) and the corresponding output pattern (MCMP). A new Modulation pattern is output when the sampled Hall inputs match the expected ones (EXPH). To detect the next rotation phase (segment for block commutation), the CCU6 monitors the Hall inputs for changes. When the next expected Hall pattern is detected, the next corresponding Modulation pattern is output.

To increase for noise immunity (to a certain extend), the CCU6 offers the possibility to introduce a sampling delay for the Hall inputs. Some changes of the Hall inputs are not leading to the expected Hall pattern, because they are only short spikes due to noise. The Hall pattern compare logic compares the Hall inputs to the next expected pattern and also to the currently assumed pattern to filter out spikes.

For the Hall and Modulation output patterns, a double-register structure is implemented. While register MCMOUT holds the actually used values, its shadow register MCMOUTS can be loaded by software from a pre-defined table, holding the appropriate Hall and Modulation patterns for the given motor control.

A transfer from the shadow register into register MCMOUT can take place when a correct Hall pattern change is detected. Software can then load the next values into register MCMOUTS. It is also possible by software to force a transfer from MCMOUTS into MCMOUT.

Note: The Hall input signals CCPOSx and the CURH and EXPH bit fields are arranged in the following order:

CCPOS0 corresponds to CURH.0 (LSB) and EXPH.0 (LSB)

CCPOS1 corresponds to CURH.1 and EXPH.1

CCPOS2 corresponds to CURH.2 (MSB) and EXPH.2 (MSB)

18.7.1 Hall Pattern Evaluation

The Hall sensor inputs CCPOSx can be permanently monitored via an edge detection block (with the module clock f_{CC6}). In order to suppress spikes on the Hall inputs due to noise in rugged inverter environment, two optional noise filtering methods are supported by the Hall logic (both methods can be combined).

- Noise filtering with delay:
For this function, the mode control bit fields MSEL6x for all T12 compare channels must be programmed to 1000_B and DBYP = 0. The selected event triggers Dead-Time Counter 0 to generate a programmable delay (defined by bit field DTM). When the delay has elapsed, the evaluation signal HCRDY becomes activated. Output modulation with T12 PWM signals is not possible in this mode.
- Noise filtering by synchronization to PWM:
The Hall inputs are not permanently monitored by the edge detection block, but samples are taken only at defined points in time during a PWM period. This can be used to sample the Hall inputs when the switching noise (due to PWM) does not disturb the Hall input signals.

If neither the delay function of Dead-Time Counter 0 is not used for the Hall pattern evaluation nor the Hall mode for Brushless DC-Drive control is enabled, the timer T12 block is available for PWM generation and output modulation.

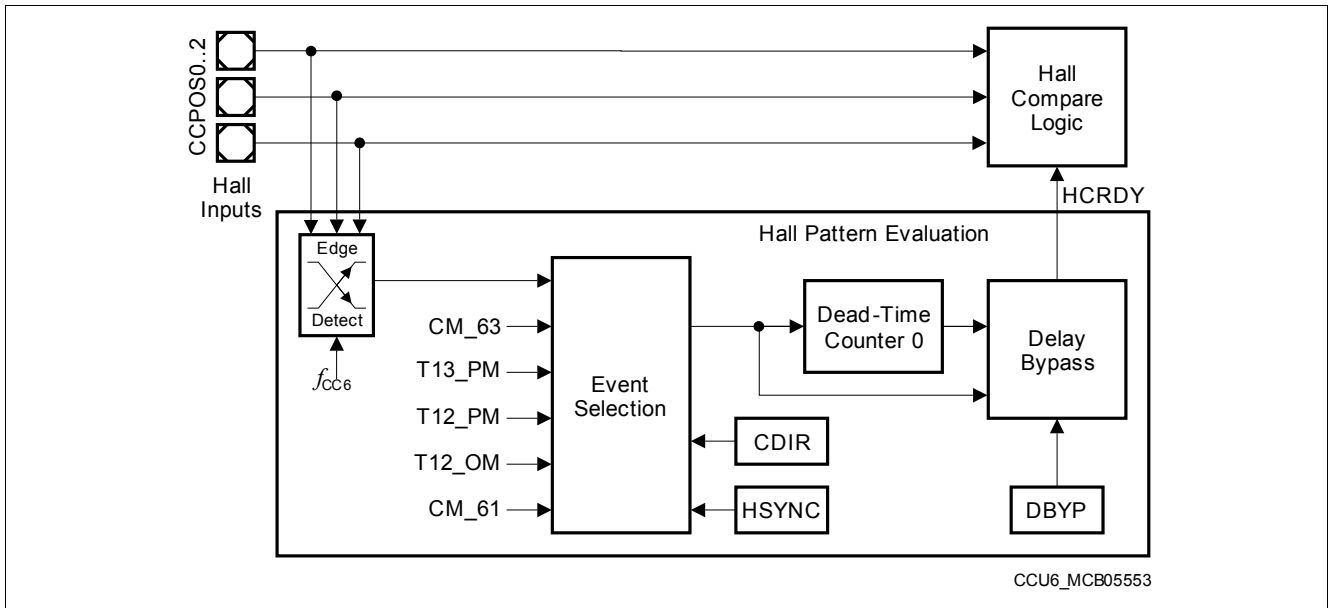


Figure 140 Hall Pattern Evaluation

If the evaluation signal HCRDY (Hall Compare Ready, see [Figure 141](#)) becomes activated, the Hall inputs are sampled and the Hall compare logic starts the evaluation of the Hall inputs.

[Figure 140](#) illustrates the events for Hall pattern evaluation and the noise filter logic, [Table 108](#) summarizes the selectable trigger input signals.

Table 108 Hall Sensor Mode Trigger Event Selection

HSYNC	Selected Event (see register T12MSEL)
000 _B	Any edge at any of the inputs CCPOSx, independent from any PWM signal (permanent check).
001 _B	A T13 Compare-Match (CM_63).
010 _B	A T13 Period-Match (T13_PM).
011 _B	Hall sampling triggered by HW sources is switched off.
100 _B	A T12 Period-Match while counting up (T12_PM and CDIR = 0).
101 _B	A T12 One-Match while counting down (T12_OM and CDIR = 1).
110 _B	A T12 Compare-Match of compare channel CC61 while counting up (CM_61 and CDIR = 0).
111 _B	A T12 Compare-Match of compare channel CC61 while counting down (CM_61 and CDIR = 1).

18.7.2 Hall Pattern Compare Logic

Figure 141 gives an overview on the double-register structure and the pattern compare logic. Software writes the next modulation pattern (MCMPS) and the corresponding current (CURHS) and expected (EXPHS) Hall patterns into the shadow register MCMOUTS. Register MCMOUT holds the actually used values CURH and EXPH. The modulation pattern MCMP is provided to the T12 Output Modulation block. The current (CURH) and expected (EXPH) Hall patterns are compared to the sampled Hall sensor inputs (visible in register CMPSTAT). Sampling of the inputs and the evaluation of the comparator outputs is triggered by the evaluation signal HCRDY (Hall Compare Ready), that is detailed in the next section.

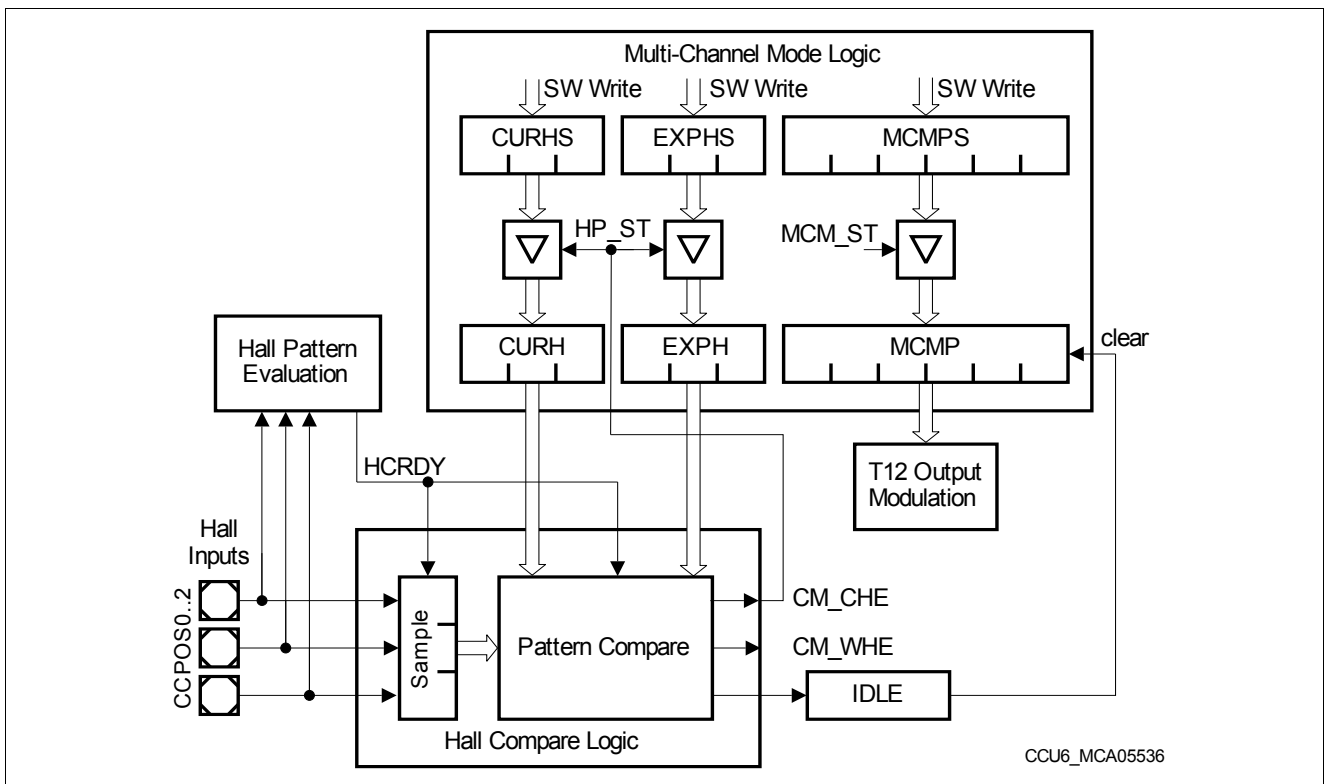


Figure 141 Hall Pattern Compare Logic

- If the sampled Hall pattern matches the value programmed in CURH, the detected transition was a spike (no Hall event) and no further actions are necessary.
- If the sampled Hall pattern matches the value programmed in EXPH, the detected transition was the expected event (correct Hall event CM_CHE) and the MCMP value has to change.
- If the sampled Hall pattern matches neither CURH nor EXPH, the transition was due to a major error (wrong Hall event CM_CWE) and can lead to an emergency shut down (IDLE).

At every correct Hall event (CM_CHE), the next Hall patterns are transferred from the shadow register MCMOUTS into MCMOUT (Hall pattern shadow transfer HP_ST), and a new Hall pattern with its corresponding output pattern can be loaded (e.g. from a predefined table in memory) by software into MCMOUTS. For the Modulation patterns, signal MCM_ST is used to trigger the transfer.

Loading this shadow register can also be done by writing MCMOUTS.STRHP = 1 (for EXPH and CURH) or MCMOUTS.STRMCMP = 1 (for MCMP).

18.7.3 Hall Mode Flags

Depending on the Hall pattern compare operation, a number of flags are set in order to indicate the status of the module and to trigger further actions and interrupt requests.

Flag IS.CHE (Correct Hall Event) is set by signal CM_CHE when the sampled Hall pattern matches the expected one (EXPH). This flag can also be set by SW by setting bit ISS.SCHE = 1. If enabled by bit IEN.ENCHE = 1, the set signal for CHE can also generate an interrupt request to the CPU. Bit field INP.INPCHE defines which service request output becomes activated in case of an interrupt request. To clear flag CHE, SW needs to write ISR.RCHE = 1.

Flag IS.WHE indicates a Wrong Hall Event. Its handling for flag setting and resetting as well as interrupt request generation are similar to the mechanism for flag CHE.

The implementation of flag STR is done in the same way as for CHE and WHE. This flag is set by HW by the shadow transfer signal MCM_ST (see also [Figure 139](#)).

Please note that for flags CHE, WHE, and STR, the interrupt request generation is triggered by the set signal for the flag. That means, a request can be generated even if the flag is already set. There is no need to clear the flag in order to enable further interrupt requests.

The implementation for the IDLE flag is different. It is set by HW through signal CM_WHE if enabled by bit ENIDLE. Software can also set the flag via bit SIDLE. As long as bit IDLE is set, the modulation pattern field MCMP is cleared to force the outputs to the passive state. Flag IDLE must be cleared by software by writing RIDLE = 1 in order to return to normal operation. To fully restart from IDLE mode, the transfer requests for the bit fields in register MCMOUTS to register MCMOUT have to be initiated by software via bits STRMCM and STRHP in register MCMOUTS. In this way, the release from IDLE mode is under software control, but can be performed synchronously to the PWM signal.

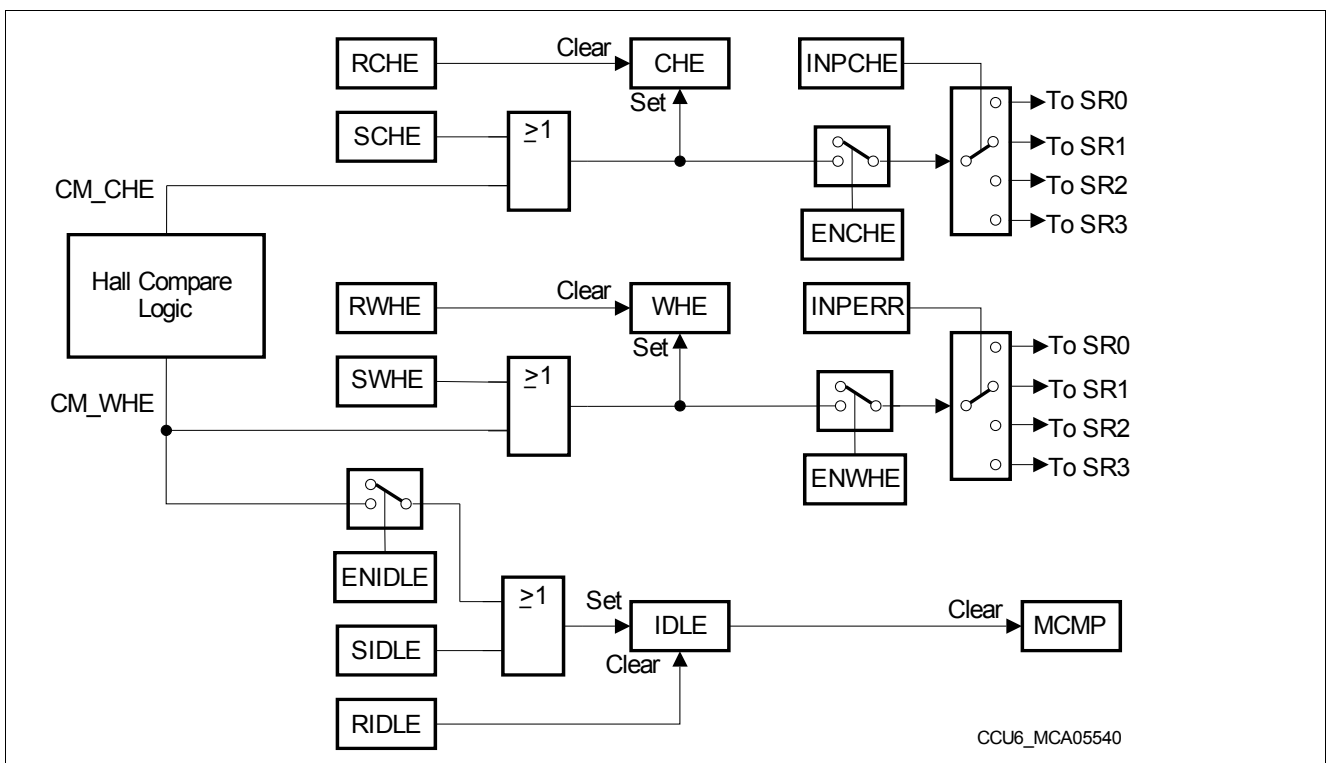


Figure 142 Hall Mode Flags

18.7.4 Hall Mode for Brushless DC-Motor Control

The CCU6 provides a mode for the Timer T12 Block especially targeted for convenient control of block commutation patterns for Brushless DC-Motors. This mode is selected by setting all T12MSEL.MSEL6x bit fields of the three T12 Channels to 1000_B.

In this mode, illustrated in [Figure 143](#), channel CC60 is placed in capture mode to measure the time elapsed between the last two correct Hall events, channel CC61 in compare mode to provide a programmable phase delay between the Hall event and the application of a new PWM output pattern, and channel CC62 also in compare mode as first time-out criterion. A second time-out criterion can be built by the T12 period match event.

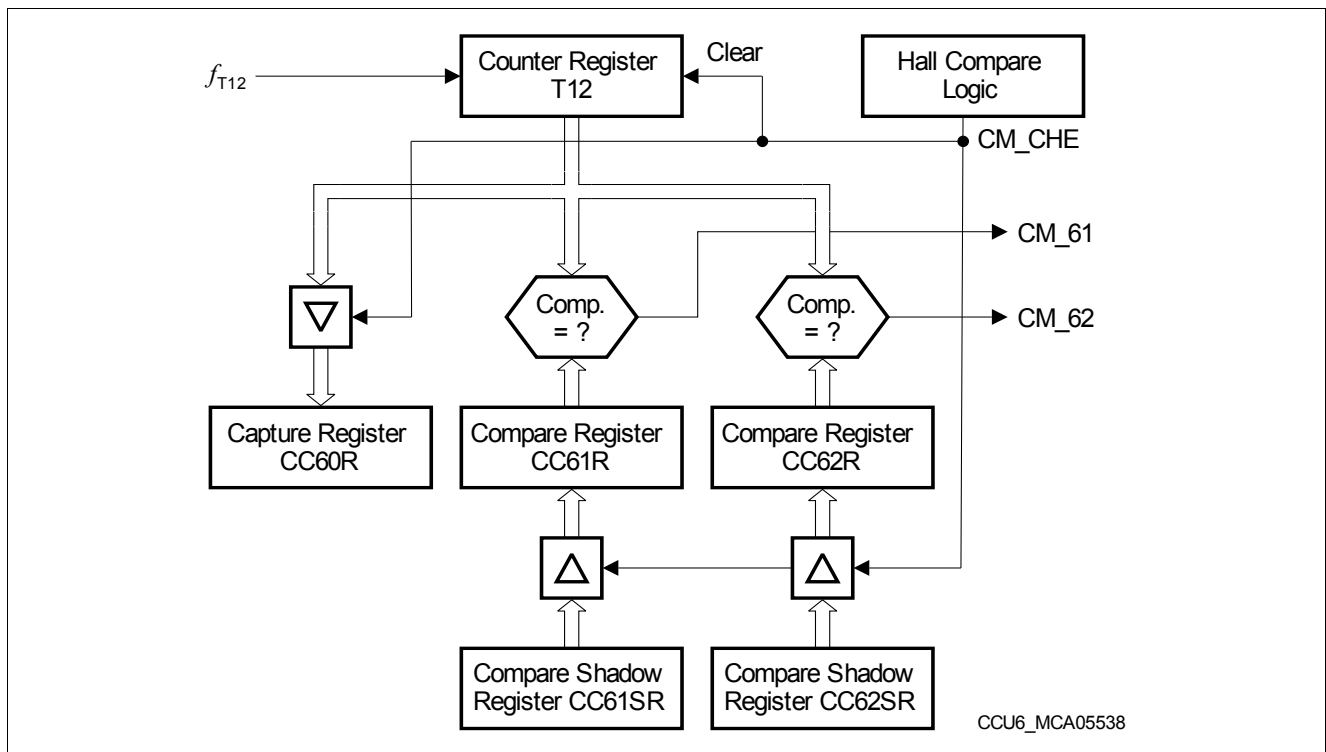


Figure 143 T12 Block in Hall Sensor Mode

The signal CM_CHE from the Hall compare logic is used to transfer the new compare values from the shadow registers CC6xSR into the actual compare registers CC6xR, performs the shadow transfer for the T12 period register, to capture the current T12 contents into register CC60R, and to clear T12.

Note: In this mode, the shadow transfer signal T12_ST is not generated. Not all shadow bits, such as the PSLy bits, will be transferred to their main registers. To program the main registers, SW needs to write to these registers while Timer T12 is stopped. In this case, a SW write actualizes both registers.

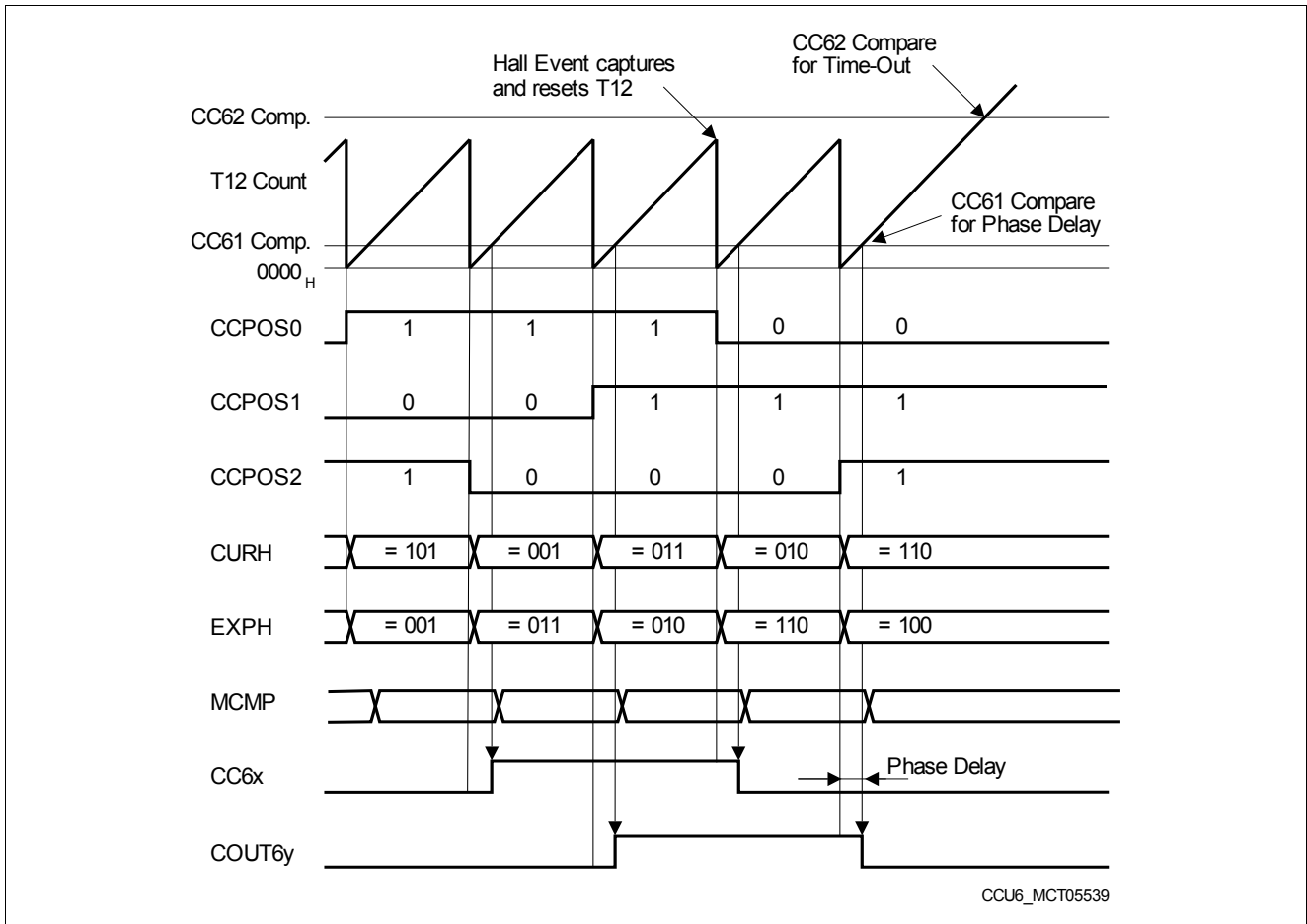


Figure 144 Brushless DC-Motor Control Example (all MSEL6x = 1000_B)

After the detection of an expected Hall pattern (CM_CHE active), the T12 count value is captured into channel CC60 (representing the actual rotor speed by measuring the elapsed time between the last two correct Hall events), and T12 is reset. When the timer reaches the compare value in channel CC61, the next multi-channel state is switched by triggering the shadow transfer of bit field MCMP (if enabled in bit field SWEN). This trigger event can be combined with the synchronization of the next multi-channel state to the PWM source (to avoid spikes on the output lines, see Section 18.6). This compare function of channel CC61 can be used as a phase delay from the position sensor input signals to the switching of the output signals, that is necessary if a sensorless back-EMF technique or Hall sensors are used. The compare value in channel CC62 can be used as a time-out trigger (interrupt), indicating that the actual motor speed is far below the desired destination value. An abnormal load change can be detected with this feature and PWM generation can be disabled.

18.8 General Module Operation

This section provides information about the:

- Input selection (see [Section 18.8.1](#))

18.8.1 Input Selection

Each CCU6 input signal can be selected from a vector of four or eight possible inputs by programming the port input select registers PISEL0 and PISEL2. This permits to adapt the pin functionality of the device to the application requirements.

The output pins for the module output signals are chosen in the ports.

Note: All functional inputs of the CCU6 are synchronized to f_{CC6} before they affect the module internal logic. The resulting delay of $2/f_{CC6}$ and for asynchronous signals an additional uncertainty of $1/f_{CC6}$ have to be taken into account for precise timing calculation. An edge of an input signal can only be correctly detected if the high phase and the low phase of the input signal are both longer than $1/f_{CC6}$.

18.9 Module Interfaces

This section describes the CCU6 module interfaces with the clock control, port connections, interrupt control, and address decoding.

18.9.1 Interfaces of the CCU6 Module

An overview of the CCU6 kernel I/O interface is shown in [Figure 145](#).

The interrupt lines of the CCU6 are connected to the CPU interrupt controller via the SCU. An interrupt pulse can be generated at one of the four interrupt output lines SRCx (x=0 to 4) of the module. More than one CCU6 interrupt source can be connected to each CCU6 interrupt line.

The General Purpose IO (GPIO) Ports provide the interface from the CCU6 to the external world. Please refer to [Chapter 14](#) for Port implementation details.

The CCU6 kernel is clocked on PCLK frequency where $f_{CCU} = f_{PCLK}$.

Debug Suspend of Timers

The timers of CCU6, T12 and T13, can be suspended immediately when Debug Mode enters Monitor Mode and has the Debug-Suspend signal activated – provided the respective timer suspend bits, T12SUSP and T13SUSP (in SCU SFR MODSUSP), are set. When suspended, the respective timer stops and its PWM outputs enabled for the trap condition ([TRPCTR](#).TRPENx = 1) are set to respective passive levels (similar to TRAP state). In addition, all CCU6 inputs are frozen. Refer to SCU [Chapter 7.9](#).

Flexible Peripheral Management (Kernel Clock Gating) of CCU6

When not in use, the CCU6 kernel may be disabled where the kernel clock input is gated. When the [PMCON1](#).CCU_DIS request bit is set, both T12 and T13 are immediately stopped and PWM outputs enabled for the trap condition ([TRPCTR](#).TRPENx = 1) are set to respective passive levels (similar to TRAP state). In addition, all CCU6 inputs are frozen. Finally, the kernel clock input is gated. Refer to SCU [Chapter 7.8](#).

The following figure shows all interrupt and interface signals and GPIO interface associated with the CCU6 module kernel.

Capture/Compare Unit 6 (CCU6)

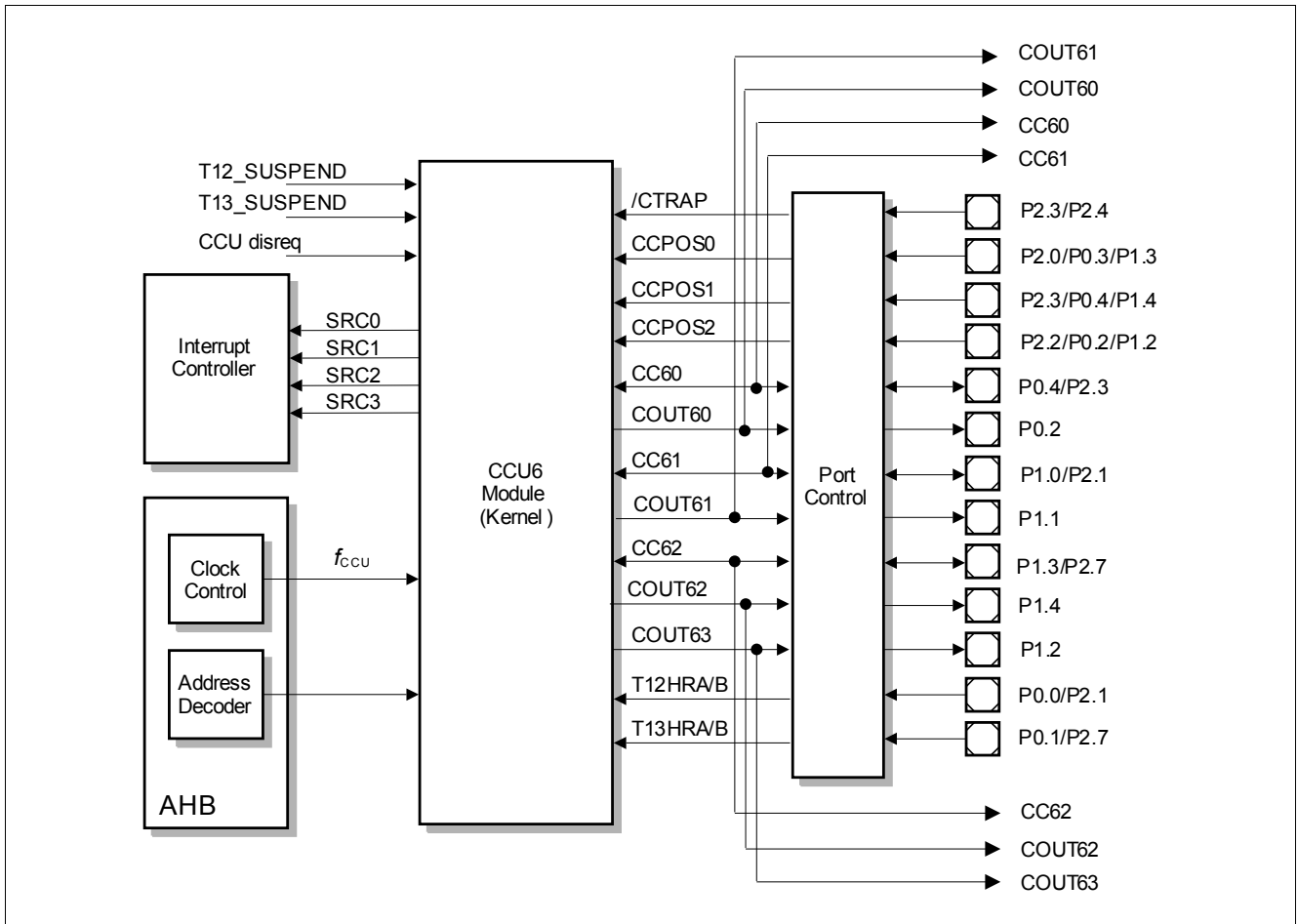


Figure 145 Interconnections of the CCU6 Module

18.10 Interrupt Handling

This section describes the interrupt handling of the CCU6 module.

18.10.1 Interrupt Structure

The HW interrupt event or the SW setting of the corresponding interrupt set bit (in register ISS) sets the event indication flags (in register IS) and can trigger the interrupt generation. The interrupt pulse is generated independently from the interrupt status flag in register IS (it is not necessary to clear the related status bit to be able to generate another interrupt). The interrupt flag can be cleared by SW by writing to the corresponding bit in register ISR.

If enabled by the related interrupt enable bit in register IEN, an interrupt pulse can be generated on one of the four service request outputs (SR0 to SR3) of the module. If more than one interrupt source is connected to the same interrupt node pointer (in register INP), the requests are logically OR-combined to one common service request output (see [Figure 146](#)).

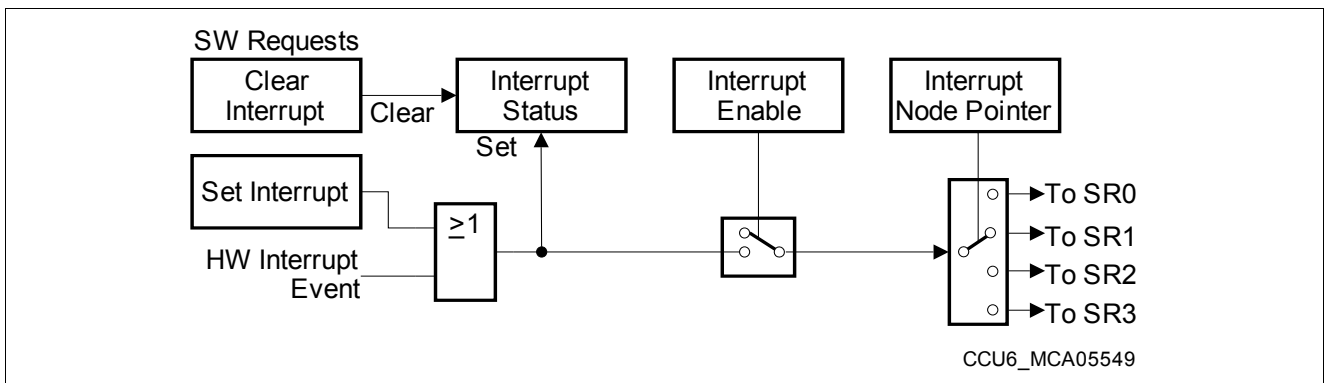


Figure 146 General Interrupt Structure

The available interrupt events in the CCU6 are shown in [Figure 147](#).

Capture/Compare Unit 6 (CCU6)

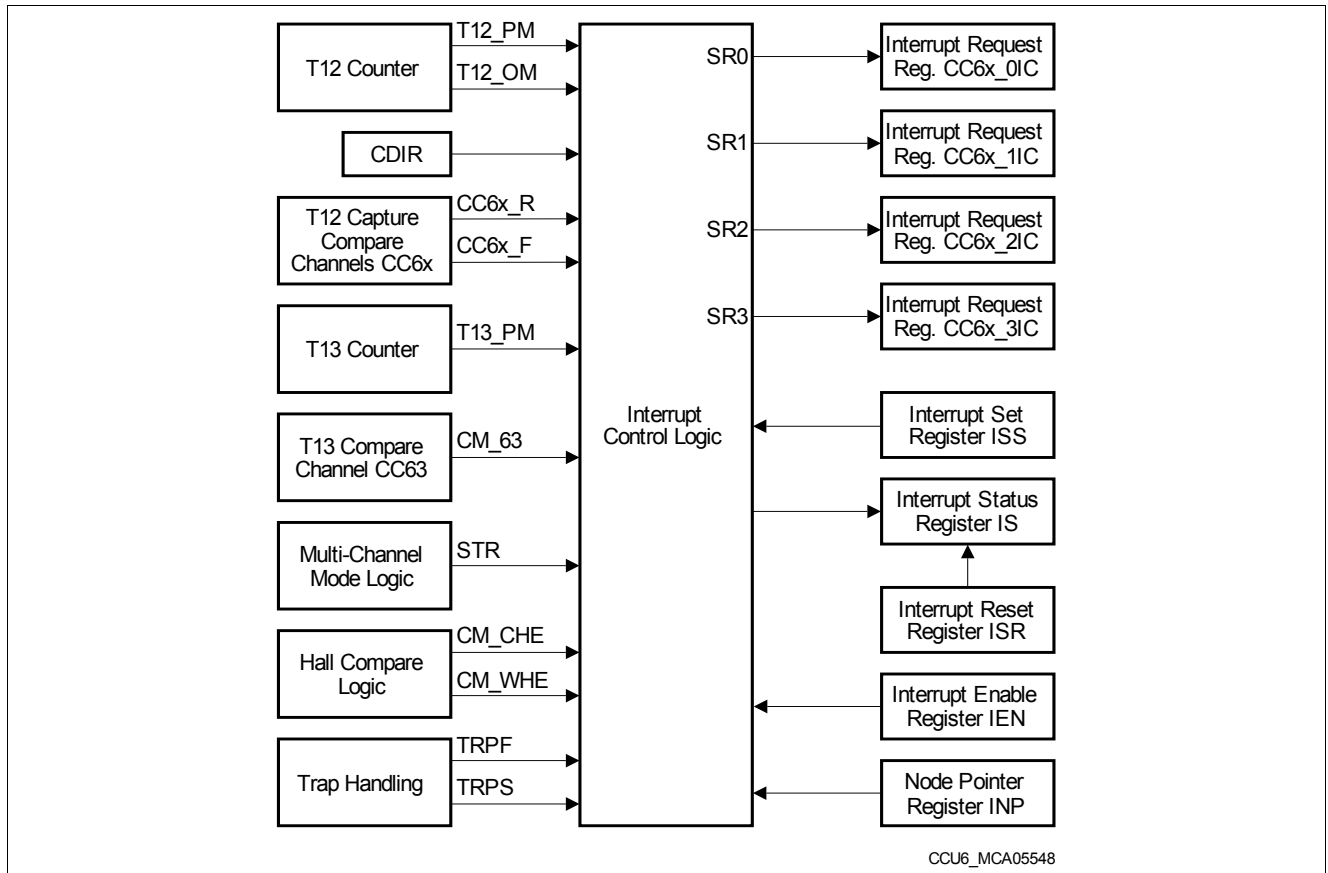


Figure 147 Interrupt Sources and Events

18.11 Register Definition

18.11.1 CCU6 Register Description

All CCU6 kernel register names described in this section will be referenced in other parts of this specification with the module name prefix "CCU6_".

Note: If a hardware and a software request to modify a bit occur simultaneously, the software wins.

Table 109 Registers Overview

Register Short Name	Register Long Name	Description see
System Registers		
PISEL0	Port Input Select Register 0	Page 475
PISEL2	Port Input Select Register 2	Page 477
Timer T12 Registers		
T12	Timer T12 Counter Register	Page 481
T12PR	Timer T12 Period Register	Page 482
CC6xR	Capture/Compare Register for Channel CC6x	Page 483
CC6xSR	Compare Shadow Register for Channel CC6x	Page 484
T12DTC	Timer T12 Dead-Time Control Register	Page 485
Timer T13 Registers		
T13	Timer T13 Counter Register	Page 486
T13PR	Timer T13 Period Register	Page 487
CC63R	Capture/Compare Register for Channel CC63	Page 487
CC63SR	Capture/Compare Shadow Register for Channel CC63	Page 488
CCU6 Control Registers		
CMPSTAT	Compare State Register	Page 489
CMPMODIF	Compare State Modification Register	Page 491
T12MSEL	Capture/Compare T12 Mode Select Register	Page 479
TCTR0	Timer Control Register 0	Page 493
TCTR2	Timer Control Register 2	Page 496
TCTR4	Timer Control Register 4	Page 498
Modulation Control Registers		
MODCTR	Modulation Control Register	Page 500
TRPCTR	Trap Control Register	Page 502
PSLR	Passive State Level Register	Page 504
MCMOUTS	Multi-Channel Mode Output Shadow Register	Page 505
MCMOUT	Multi-Channel Mode Output Register	Page 507
MCMCTR	Multi-Channel Mode Control Register	Page 509
Interrupt Control Registers		
IS	Capture/Compare Interrupt Status Register	Page 511
ISS	Capture/Compare Interrupt Status Set Register	Page 513
ISR	Capture/Compare Interrupt Status Reset Register	Page 515

Table 109 Registers Overview (cont'd)

Register Short Name	Register Long Name	Description see
IEN	Capture/Compare Interrupt Enable Register	Page 517
INP	Capture/Compare Interrupt Node Pointer Register	Page 520

18.11.1.1 System Registers

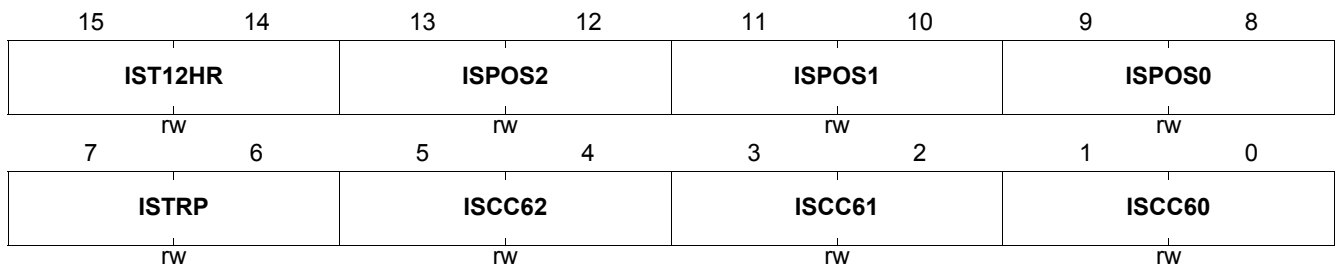
Registers PISEL0 and PISEL2 contain bit fields that select the actual input port/signal for the module inputs. This permits the adaptation of the pin functionality of the device to the application's requirements. The output pins are chosen according to the registers in the ports.

PISEL0

Port Input Select Register 0

(6C_H)

Reset Value: 0000_H



Field	Bits	Type	Description
ISCC60	1:0	rw	Input Select for CC60 This bit field defines the port pin that is used for the CC60 capture input signal. 00 _B The input pin for CC60_0. 01 _B The input pin for CC60_1. 10 _B The input pin for CC60_2. 11 _B Reserved
ISCC61	3:2	rw	Input Select for CC61 This bit field defines the port pin that is used for the CC61 capture input signal. 00 _B The input pin for CC61_0. 01 _B The input pin for CC61_1. 10 _B Reserved 11 _B Reserved
ISCC62	5:4	rw	Input Select for CC62 This bit field defines the port pin that is used for the CC62 capture input signal. 00 _B The input pin for CC62_0. 01 _B The input pin for CC62_1. 10 _B The input pin for CC62_2. 11 _B Reserved

Capture/Compare Unit 6 (CCU6)

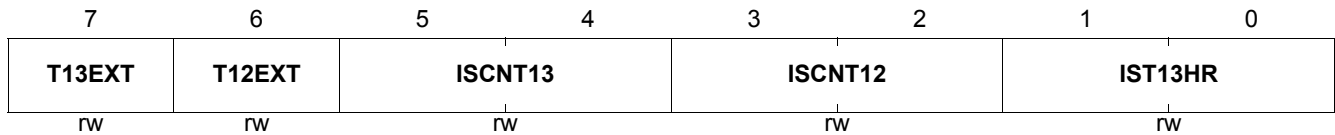
Field	Bits	Type	Description
ISTRP	7:6	rw	<p>Input Select for CTRAP</p> <p>This bit field defines the port pin that is used for the $\overline{\text{CTRAP}}$ input signal.</p> <p>00_B The input pin for $\overline{\text{CTRAP}}_0$.</p> <p>01_B The input pin for $\overline{\text{CTRAP}}_1$.</p> <p>10_B Reserved</p> <p>11_B Reserved</p>
ISPOS0	9:8	rw	<p>Input Select for CCPOS0</p> <p>This bit field defines the port pin that is used for the CCPOS0 input signal.</p> <p>00_B The input pin for CCPOS0_0.</p> <p>01_B The input pin for CCPOS0_1.</p> <p>10_B The input pin for CCPOS0_2.</p> <p>11_B The input pin for CCPOS0_3</p>
ISPOS1	11:10	rw	<p>Input Select for CCPOS1</p> <p>This bit field defines the port pin that is used for the CCPOS1 input signal.</p> <p>00_B The input pin for CCPOS1_0.</p> <p>01_B The input pin for CCPOS1_1.</p> <p>10_B The input pin for CCPOS1_2.</p> <p>11_B Reserved</p>
ISPOS2	13:12	rw	<p>Input Select for CCPOS2</p> <p>This bit field defines the port pin that is used for the CCPOS2 input signal.</p> <p>00_B The input pin for CCPOS2_0.</p> <p>01_B The input pin for CCPOS2_1.</p> <p>10_B The input pin for CCPOS2_2.</p> <p>11_B The input pin for CCPOS2_3</p>
IST12HR	15:14	rw	<p>Input Select for T12HR</p> <p>This bit field defines the input signal used as T12HR input.</p> <p>00_B Either signal T12HRA (if T12EXT = 0) or T12HRE (if T12EXT = 1) is selected.</p> <p>01_B Either signal T12HRB (if T12EXT = 0) or T12HRF (if T12EXT = 1) is selected.</p> <p>10_B Either signal T12HRC (if T12EXT = 0) or T12HRG (if T12EXT = 1) is selected.</p> <p>11_B Either signal T12HRD (if T12EXT = 0) or T12HRH (if T12EXT = 1) is selected.</p>

PISEL2

Port Input Select Register 2

(74_H)

Reset Value: 00_H



Field	Bits	Type	Description
IST13HR	1:0	rw	<p>Input Select for T13HR</p> <p>This bit field defines the input signal used as T13HR input.</p> <p>00_B Either signal T13HRA (if T13EXT = 0) or T13HRE (if T13EXT = 1) is selected.</p> <p>01_B Either signal T13HRB (if T13EXT = 0) or T13HRF (if T13EXT = 1) is selected.</p> <p>10_B Either signal T13HRC (if T13EXT = 0) or T13HRG (if T13EXT = 1) is selected.</p> <p>11_B Either signal T13HRD (if T13EXT = 0) or T13HRH (if T13EXT = 1) is selected.</p>
ISCNT12	3:2	rw	<p>Input Select for T12 Counting Input</p> <p>This bit field defines the input event leading to a counting action of T12.</p> <p>00_B The T12 prescaler generates the counting events. Bit TCTR4.T12CNT is not taken into account.</p> <p>01_B Bit TCTR4.T12CNT written with 1 is a counting event. The T12 prescaler is not taken into account.</p> <p>10_B The timer T12 is counting each rising edge detected in the selected T12HR signal.</p> <p>11_B The timer T12 is counting each falling edge detected in the selected T12HR signal.</p>
ISCNT13	5:4	rw	<p>Input Select for T13 Counting Input</p> <p>This bit field defines the input event leading to a counting action of T13.</p> <p>00_B The T13 prescaler generates the counting events. Bit TCTR4.T13CNT is not taken into account.</p> <p>01_B Bit TCTR4.T13CNT written with 1 is a counting event. The T13 prescaler is not taken into account.</p> <p>10_B The timer T13 is counting each rising edge detected in the selected T13HR signal.</p> <p>11_B The timer T13 is counting each falling edge detected in the selected T13HR signal.</p>
T12EXT	6	rw	<p>Extension for T12HR Inputs</p> <p>This bit extends the 2-bit field IST12HR.</p> <p>0_B One of the signals T12HR[D:A] is selected.</p> <p>1_B One of the signals T12HR[H:E] is selected.</p>
T13EXT	7	rw	<p>Extension for T13HR Inputs</p> <p>This bit extends the 2-bit field IST13HR.</p> <p>0_B One of the signals T13HR[D:A] is selected.</p> <p>1_B One of the signals T13HR[H:E] is selected.</p>

18.11.2 Timer 12 – Related Registers

The generation of the patterns for a 3-channel PWM is based on timer T12. The registers related to timer T12 can be concurrently updated (with well-defined conditions) in order to ensure consistency of the three PWM channels. Timer T12 supports capture and compare modes, which can be independently selected for the three channels CC60, CC61, and CC62.

Register T12MSEL contains control bits to select the capture/compare functionality of the three channels of timer T12. [Table 110](#), [Table 111](#) and [Table 112](#) define and elaborate some of the capture/compare modes selectable. Refer to the following register description for the selection.

Table 110 Double-Register Capture Modes

Description	
0100	The contents of T12 are stored in CC6nR after a rising edge and in CC6nSR after a falling edge on the input pin CC6n.
0101	The value stored in CC6nSR is copied to CC6nR after a rising edge on the input pin CC6n. The actual timer value of T12 is simultaneously stored in the shadow register CC6nSR. This feature is useful for time measurements between consecutive rising edges on pins CC6n. COUT6n is I/O.
0110	The value stored in CC6nSR is copied to CC6nR after a falling edge on the input pin CC6n. The actual timer value of T12 is simultaneously stored in the shadow register CC6nSR. This feature is useful for time measurements between consecutive falling edges on pins CC6n. COUT6n is I/O.
0111	The value stored in CC6nSR is copied to CC6nR after any edge on the input pin CC6n. The actual timer value of T12 is simultaneously stored in the shadow register CC6nSR. This feature is useful for time measurements between consecutive edges on pins CC6n. COUT6n is I/O.

Table 111 Combined T12 Modes

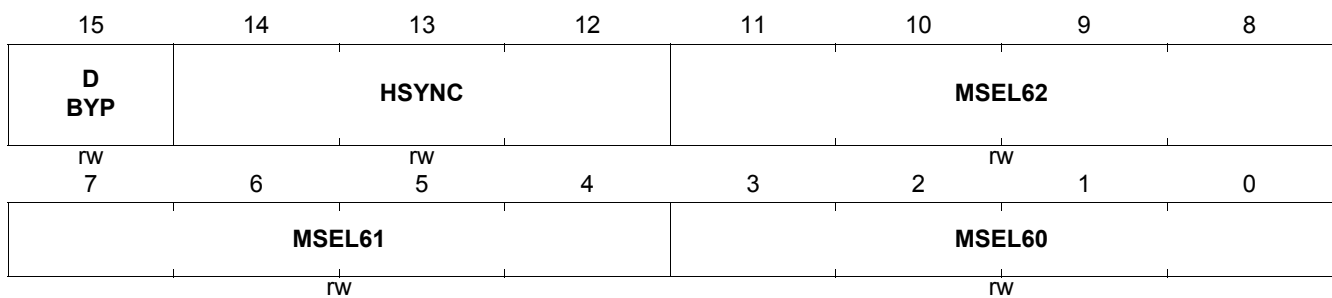
Description	
1000	Hall Sensor mode: Capture mode for channel 0, compare mode for channels 1 and 2. The contents of T12 are captured into CC60 at a valid hall event (which is a reference to the actual speed). CC61 can be used for a phase delay function between hall event and output switching. CC62 can act as a time-out trigger if the expected hall event comes too late. The value 1000 _B must be programmed to MSEL0, MSEL1 and MSEL2 if the hall signals are used. In this mode, the contents of timer T12 are captured in CC60 and T12 is reset after the detection of a valid hall event. In order to avoid noise effects, the dead-time counter channel 0 is started after an edge has been detected at the hall inputs. On reaching the value of 000001 _B , the hall inputs are sampled and the pattern comparison is done.
1001	Hysteresis-like control mode with dead-time generation: The negative edge of the CCPOSx input signal is used to reset bit CC6nST. As a result, the output signals can be switched to passive state immediately and switch back to active state (with dead-time) if the CCPOSx is high and the bit CC6nST is set by a compare event.

Table 112 Multi-Input Capture Modes

Description	
1010	The timer value of T12 is stored in CC6nR after a rising edge at the input pin CC6n. The timer value of T12 is stored in CC6nSR after a falling edge at the input pin CCPOSx.
1011	The timer value of T12 is stored in CC6nR after a falling edge at the input pin CC6n. The timer value of T12 is stored in CC6nSR after a rising edge at the input pin CCPOSx.
1100	The timer value of T12 is stored in CC6nR after a rising edge at the input pin CC6n. The timer value of T12 is stored in CC6nSR after a rising edge at the input pin CCPOSx.
1101	The timer value of T12 is stored in CC6nR after a falling edge at the input pin CC6n. The timer value of T12 is stored in CC6nSR after a falling edge at the input pin CCPOSx.
1110	The timer value of T12 is stored in CC6nR after any edge at the input pin CC6n. The timer value of T12 is stored in CC6nSR after any edge at the input pin CCPOSx.
11111	reserved (no capture or compare action)

T12MSEL

Capture/Compare T12 Mode Select Register (40_H) **Reset Value: 0000_H**



Field	Bits	Type	Description
MSEL60, MSEL61	3:0, 7:4	rw	<p>Capture/Compare Mode Selection</p> <p>These bit fields select the operating mode of the three timer T12 capture/compare channels. Each channel (n = 0, 1, 2) can be programmed individually either for compare or capture operation according to:</p> <p>0000_B Compare outputs disabled, pins CC6n and COUT6n can be used for I/O. No capture action.</p> <p>0001_B Compare output on pin CC6n, pin COUT6n can be used for I/O. No capture action.</p> <p>0010_B Compare output on pin COUT6n, pin CC6n can be used for I/O. No capture action.</p> <p>0011_B Compare output on pins COUT6n and CC6n.</p> <p>01XX_B Double-Register Capture modes, see Table 110.</p> <p>1000_B Hall Sensor mode, see Table 111. In order to enable the hall edge detection, all three MSEL6x must be programmed to Hall Sensor mode.</p> <p>1001_B Hysteresis-like mode, see Table 111.</p> <p>101X_B Multi-Input Capture modes, see Table 112.</p> <p>11XX_B Multi-Input Capture modes, see Table 112.</p>

Capture/Compare Unit 6 (CCU6)

Field	Bits	Type	Description
MSEL62	11:8	rw	<p>Capture/Compare Mode Selection</p> <p>These bit fields select the operating mode of the three timer T12 capture/compare channels. Each channel (n = 0, 1, 2) can be programmed individually either for compare or capture operation according to:</p> <p>0000_B Compare outputs disabled, pins CC6n and COUT6n can be used for I/O. No capture action.</p> <p>0001_B Compare output on pin CC6n, pin COUT6n can be used for I/O. No capture action.</p> <p>0010_B Compare output on pin COUT6n, pin CC6n can be used for I/O. No capture action.</p> <p>0011_B Compare output on pins COUT6n and CC6n.</p> <p>01XX_B Double-Register Capture modes, see Table 110.</p> <p>1000_B Hall Sensor mode, see Table 111. In order to enable the hall edge detection, all three MSEL6x must be programmed to Hall Sensor mode.</p> <p>1001_B Hysteresis-like mode, see Table 111.</p> <p>101X_B Multi-Input Capture modes, see Table 112.</p> <p>11XX_B Multi-Input Capture modes, see Table 112.</p>
HSYNC	14:12	rw	<p>Hall Synchronization</p> <p>Bit field HSYNC defines the source for the sampling of the Hall input pattern and the comparison to the current and the expected Hall pattern bit fields. In all modes, a trigger by software by writing a 1 to bit SWHC is possible.</p> <p>000_B Any edge at one of the inputs CCPOSx (x = 0, 1, 2) triggers the sampling.</p> <p>001_B A T13 compare-match triggers the sampling.</p> <p>010_B A T13 period-match triggers the sampling.</p> <p>011_B The Hall sampling triggered by hardware sources is switched off.</p> <p>100_B A T12 period-match (while counting up) triggers the sampling.</p> <p>101_B A T12 one-match (while counting down) triggers the sampling.</p> <p>110_B A T12 compare-match of channel 1 (while counting up) triggers the sampling.</p> <p>111_B A T12 compare-match of channel 1 (while counting down) triggers the sampling.</p>
DBYP	15	rw	<p>Delay Bypass</p> <p>Bit DBYP defines if the source signal for the sampling of the Hall input pattern (selected by HSYNC) uses the dead-time counter DTC0 of timer T12 as additional delay or if the delay is bypassed.</p> <p>0_B The delay bypass is not active. The dead-time counter DTC0 is generating a delay after the source signal becomes active.</p> <p>1_B The delay bypass is active. The dead-time counter DTC0 is not used by the sampling of the Hall pattern.</p>

Register T12 represents the counting value of timer T12. It can only be written while the timer T12 is stopped. Write actions while T12 is running are not taken into account. Register T12 can always be read by software.

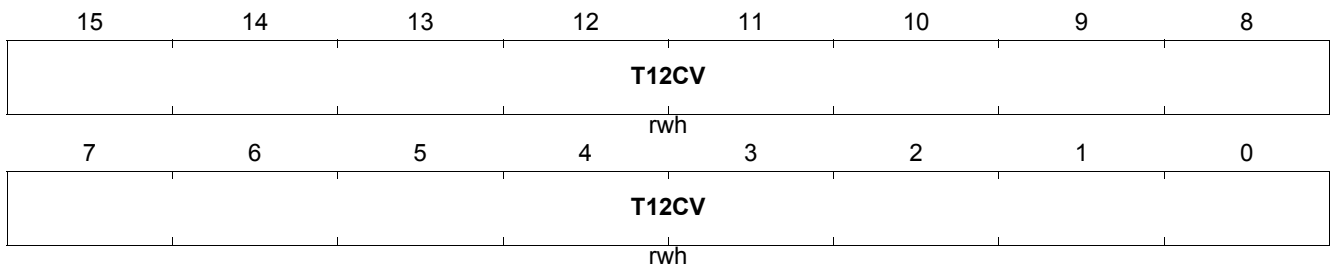
In edge-aligned mode, T12 only counts up, whereas in center-aligned mode, T12 can count up and down.

T12

Timer T12 Counter Register

(78_H)

Reset Value: 00_H



Field	Bits	Type	Description
T12CV	15:0	rwh	Timer T12 Counter Value This register represents the 16-bit counter value of timer T12.

Note: While timer T12 is stopped, the internal clock divider is reset in order to ensure reproducible timings and delays.

Note: The timer period, compare values, passive state selects bits and passive levels bits for both timers are written to shadow registers and not directly to the actual registers. Thus, the values for a new output signal can be programmed without disturbing the currently generated signal(s). The transfer from the shadow registers to the actual registers is enabled by setting the respective shadow transfer enable bit STEx. If the transfer is enabled, the shadow registers are copied to the respective registers as soon as the associated timer reaches the value zero the next time (being cleared in edge-aligned mode or counting down from 1 in center-aligned mode). When timer T12 is operating in center-aligned mode, it will also copy the registers (if enabled by STE12) if it reaches the currently programmed period value (counting up). When a timer is stopped (TxR = 0), the shadow transfer takes place immediately if the corresponding bit STEx is set. After the transfer, the respective bit STEx is cleared automatically.

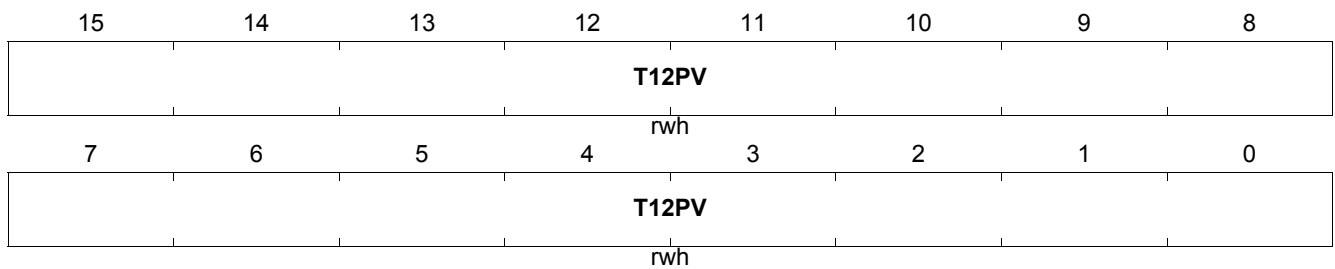
Register T12PR contains the period value for timer T12. The period value is compared to the actual counter value of T12 and the resulting counter actions depend on the defined counting rules. This register has a shadow register and the shadow transfer is controlled by bit STE12. A read action by software delivers the value which is currently used for the compare action, whereas the write action targets a shadow register. The shadow register structure allows a concurrent update of all T12-related values.

T12PR

Timer T12 Period Register

(24_H)

Reset Value: 0000_H



Field	Bits	Type	Description
T12PV	15:0	rwh	<p>T12 Period Value</p> <p>The value T12PV defines the counter value for T12, which leads to a period-match. On reaching this value, the timer T12 is set to zero (edge-aligned mode) or changes its count direction to down counting (center-aligned mode).</p> <p>Note: T12PV = 0xFFFF shall not be used to avoid overflow conditions when using the Zero Match and Period Match Trigger signals (PM and ZM)</p>

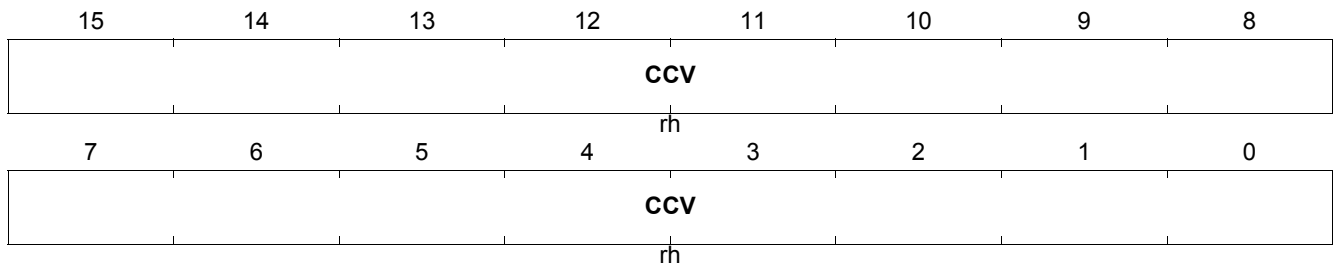
Capture/Compare Unit 6 (CCU6)

In compare mode, the registers CC6xR (x = 0, 1, 2) are the actual compare registers for T12. The values stored in CC6xR are compared (all three channels in parallel) to the counter value of T12. In capture mode, the current value of the T12 counter register is captured by registers CC6xR if the corresponding capture event is detected.

CC6xR (x = 0-2)

Capture/Compare Register for Channel CC6x (34_H+x*4_H)

Reset Value: 0000_H



Field	Bits	Type	Description
CCV	15:0	rh	Channel x Capture/Compare Value In compare mode, the bit fields CCV contain the values that are compared to the T12 counter value. In capture mode, the captured value of T12 can be read from these registers.

Capture/Compare Unit 6 (CCU6)

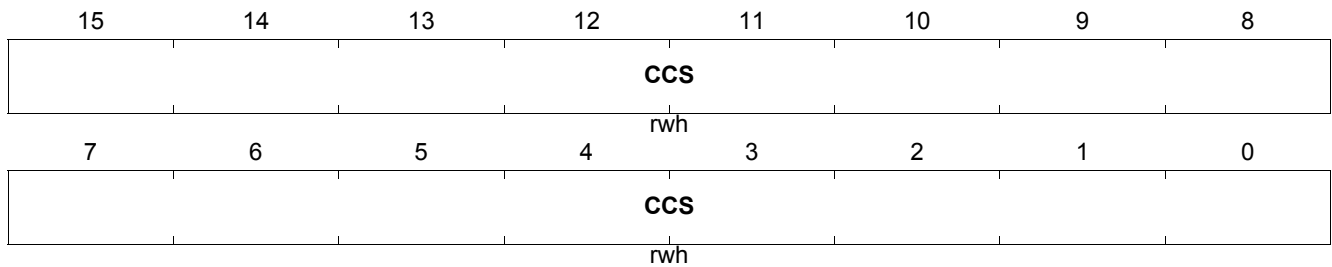
The registers CC6xR can only be read by software, the modification of the value is done by a shadow register transfer from register CC6xSR. The corresponding shadow registers CC6xSR can be read and written by software. In capture mode, the value of the T12 counter register can also be captured by registers CC6xSR if the selected capture event is detected (depending on the selected mode).

CC6xSR (x = 0-2)

Capture/Compare Shadow Register for Channel CC6x

(14_H+x*4_H)

Reset Value: 0000_H



Field	Bits	Type	Description
CCS	15:0	rwh	Shadow Register for Channel x Capture/Compare Value In compare mode, the contents of bit field CCS are transferred to the bit field CCV for the corresponding channel during a shadow transfer. In capture mode, the captured value of T12 can be read from these registers.

Note: The shadow registers can also be written by SW in capture mode. In this case, the HW capture event wins over the SW write if both happen in the same cycle (the SW write is discarded).

Capture/Compare Unit 6 (CCU6)

Register T12DTC controls the dead-time generation for the timer T12 compare channels. Each channel can be independently enabled/disabled for dead-time generation. If enabled, the transition from passive state to active state is delayed by the value defined by bit field DTM. The dead-time counter can only be reloaded while it is zero. The dead time counters are clocked with the same frequency as T12. This structure allows symmetrical dead-time generation in center-aligned and in edge-aligned PWM mode. A duty cycle of 50% leads to CC6x, COU6x switched on for: $0.5 * \text{period} - \text{dead time}$.

Note: The dead-time counters are not reset by bit T12RES, but by bit DTRES.

T12DTC

Timer T12 Dead-Time Control Register

(2C_H)

Reset Value: 0000_H

15	14	13	12	11	10	9	8
Res	DTR2	DTR1	DTR0	Res	DTE2	DTE1	DTE0
r	rh	rh	rh	r	rw	rw	rw
7	6	5	4	3	2	1	0
DTM							
rw							

Field	Bits	Type	Description
DTM	7:0	rw	Dead-Time Bit field DTM determines the programmable delay between switching from the passive state to the active state of the selected outputs. The switching from the active state to the passive state is not delayed.
DTE0, DTE1, DTE2	8, 9, 10	rw	Dead-Time Enable Bits Bits DTE0..DTE2 enable and disable the dead-time generation for each compare channel (0, 1, 2) of timer T12. 0 _B Dead-time generation is disabled. The corresponding outputs switch from the passive state to the active state (according to the actual compare status) without any delay. 1 _B Dead-time generation is enabled. The corresponding outputs switch from the passive state to the active state (according to the compare status) with the delay programmed in bit field DTM.
DTR0, DTR1, DTR2	12, 13, 14	rh	Dead-Time Run Indication Bits Bits DTR0..DTR2 indicate the status of the dead-time generation for each compare channel (0, 1, 2) of timer T12. 0 _B The value of the corresponding dead-time counter channel is 0. 1 _B The value of the corresponding dead-time counter channel is not 0.
Res	11, 15	r	Reserved Returns 0 if read; should be written with 0.

Note: The dead-time counters are clocked with the same frequency as T12.

*This structure allows symmetrical dead-time generation in center-aligned and in edge-aligned PWM mode. A duty cycle of 50% leads to CC6x, COU6x switched on for: $0.5 * \text{period} - \text{dead-time}$.*

Note: The dead-time counters are not reset by bit T12RES, but by bit DTRES.

18.11.3 Timer 13 – Related Registers

The generation of the patterns for a single channel pulse width modulation (PWM) is based on timer T13. The registers related to timer T13 can be concurrently updated (with well-defined conditions) in order to ensure consistency of the PWM signal. T13 can be synchronized to several timer T12 events.

Timer T13 supports only compare mode on its compare channel CC63.

Register T13 represents the counting value of timer T13. It can only be written while the timer T13 is stopped. Write actions while T13 is running are not taken into account. Register T13 can always be read by software.

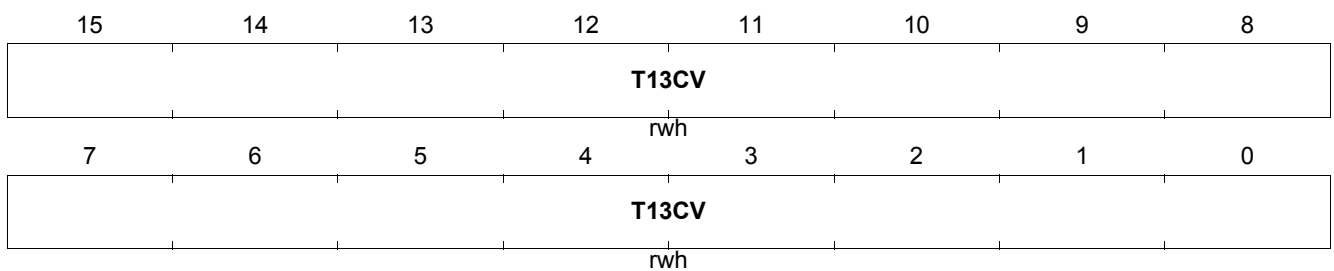
Timer T13 supports only edge-aligned mode (counting up).

T13

Timer T13 Counter Register

(7C_H)

Reset Value: 0000_H



Field	Bits	Type	Description
T13CV	15:0	rwh	Timer T13 Counter Value This register represents the 16-bit counter value of timer T13.

Note: While timer T13 is stopped, the internal clock divider is reset in order to ensure reproducible timings and delays.

Capture/Compare Unit 6 (CCU6)

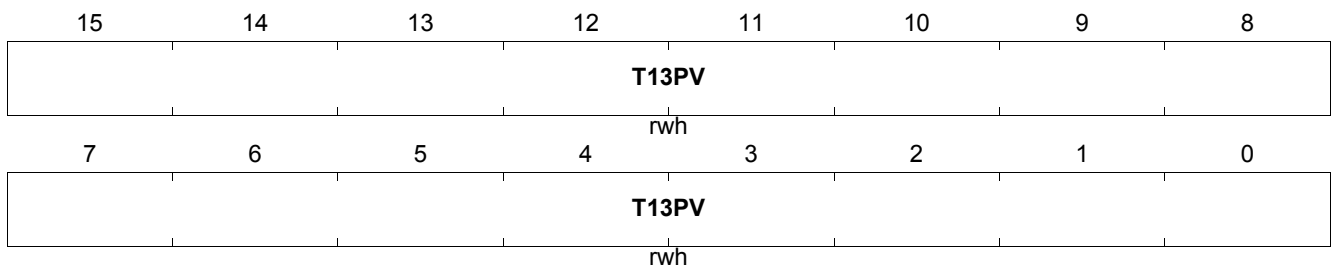
Register T13PR contains the period value for timer T13. The period value is compared to the actual counter value of T13 and the resulting counter actions depend on the defined counting rules. This register has a shadow register and the shadow transfer is controlled by bit STE13. A read action by software delivers the value which is currently used for the compare action, whereas the write action targets a shadow register. The shadow register structure allows a concurrent update of all T13-related values.

T13PR

Timer T13 Period Register

(28_H)

Reset Value: 0000_H



Field	Bits	Type	Description
T13PV	15:0	rwh	T13 Period Value The value T13PV defines the counter value for T13, which leads to a period-match. On reaching this value, the timer T13 is set to zero.

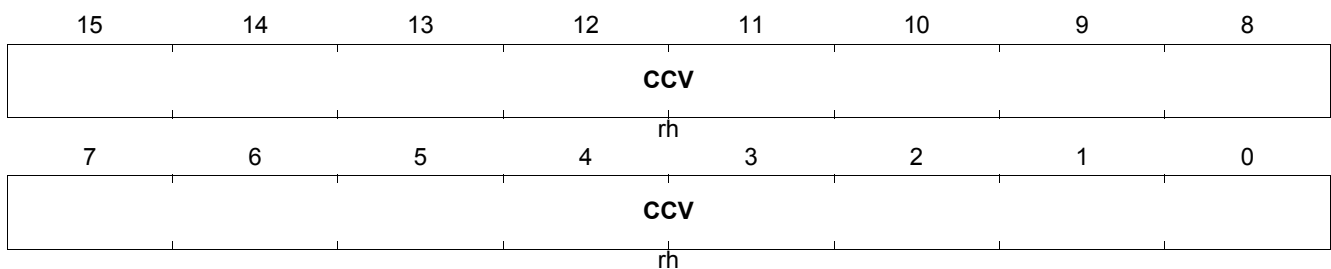
Register CC63R is the actual compare register for T13. The value stored in CC63R is compared to the counter value of T13. The State Bit CC63ST is located in register CMPSTAT.

CC63R

Capture/Compare Register for Channel CC63

(00_H)

Reset Value: 0000_H



Field	Bits	Type	Description
CCV	15:0	rh	Channel CC63 Compare Value The bit field CCV contains the value that is compared to the T13 counter value.

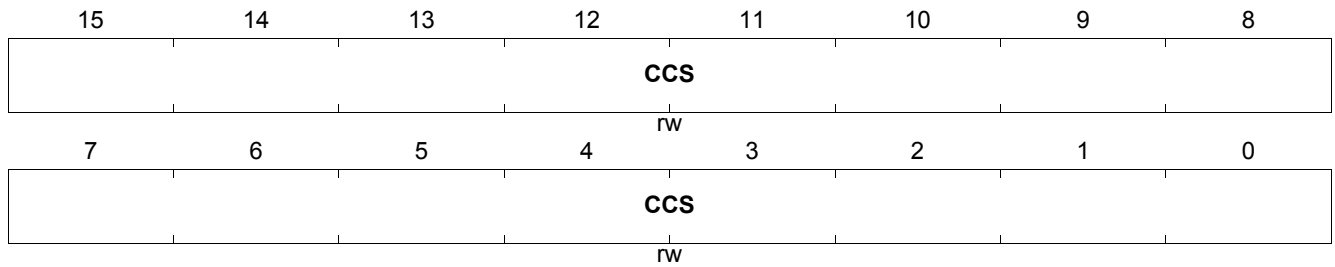
Capture/Compare Unit 6 (CCU6)

The register CC63R can only be read by software and the modification of the value is done by a shadow register transfer from register CC63SR. The corresponding shadow register CC63SR can be read and written by software.

CC63SR

Capture/Compare Shadow Register for Channel CC63 (20_H)

Reset Value: 0000_H



Field	Bits	Type	Description
CCS	15:0	rw	Shadow Register for Channel CC63 Compare Value The contents of bit field CCS are transferred to the bit field CCV during a shadow transfer.

18.11.4 Capture/Compare Control Registers

The Compare State Register CMPSTAT contains status bits monitoring the current capture and compare state, and control bits defining the active/passive state of the compare channels.

CMPSTAT

Compare State Register

(80_H)

Reset Value: 0000_H

15	14	13	12	11	10	9	8
T13 IM	C OUT63PS	C OUT62PS	CC 62PS	C OUT61PS	CC 61PS	C OUT60PS	CC 60PS
rwh 7	rwh 6	rwh 5	rwh 4	rwh 3	rwh 2	rwh 1	rwh 0
Res	CC 63ST	CC POS 2	CC POS 1	CC POS 0	CC 62ST	CC 61ST	CC 60ST
r	rh	rh	rh	rh	rh	rh	rh

Field	Bits	Type	Description
CC60ST, CC61ST, CC62ST, CC63ST	0, 1, 2, 6	rh	<p>Capture/Compare State Bits (x = 0, 1, 2, 3) Bits CC6xST monitor the state of the capture/compare channels. Bits CC6xST are related to T12; bit CC63ST is related to T13. These bits are set and reset according to the T12 and T13 switching rules.</p> <p>0_B In compare mode, the timer count is less than the compare value. In capture mode, the selected edge has not yet been detected since the bit has been reset by software the last time.</p> <p>1_B In compare mode, the counter value is greater than or equal to the compare value. In capture mode, the selected edge has been detected.</p>
CCPOS0, CCPOS1, CCPOS2	3, 4, 5	rh	<p>Sampled Hall Pattern Bits (x = 0, 1, 2) Bits CCPOSx indicate the value of the input Hall pattern that has been compared to the current and expected value. The value is sampled when the event hcrdy (Hall compare ready) occurs.</p> <p>0_B The input CCPOSx has been sampled as 0.</p> <p>1_B The input CCPOSx has been sampled as 1.</p>
Res	7	r	<p>Reserved Returns 0 if read; should be written with 0.</p>

Capture/Compare Unit 6 (CCU6)

Field	Bits	Type	Description
CC60PS, CC61PS, CC62PS, COU60PS, COU61PS, COU62PS, COU63PS	8, 10, 12, 9, 11, 13, 14	rwh	<p>Passive State Select for Compare Outputs</p> <p>Bits CC6xPS (x = 0, 1, 2), COU6xPS (x = 0, 1, 2, 3) select the state of the corresponding compare channel, which is considered to be the passive state. During the passive state, the passive level (defined in register PSLR) is driven by the output pin. Bits CC6xPS, COU6xPS (x = 0, 1, 2) are related to T12, bit COU63PS is related to T13. These bits have shadow bits and are updated in parallel to the capture/compare registers of T12 and T13, respectively. A read action targets the actually used values, whereas a write action targets the shadow bits.</p> <p>In capture mode, these bits are not used.</p> <p>0_B The corresponding compare output drives passive level while CC6xST is 0.</p> <p>1_B The corresponding compare output drives passive level while CC6xST is 1.</p>
T13IM	15	rwh	<p>T13 Inverted Modulation</p> <p>Bit T13IM inverts the T13 signal for the modulation of the CC6x and COU6x (x = 0, 1, 2) signals.</p> <p>This bit has a shadow bit and is updated in parallel to the compare and period registers of T13. A read action targets the actually used values, whereas a write action targets the shadow bit.</p> <p>0_B T13 output is not inverted.</p> <p>1_B T13 output is inverted for further modulation.</p>

Capture/Compare Unit 6 (CCU6)

The Compare Status Modification Register CMPMODIF provides software-control (independent set and clear conditions) for the channel state bits CC6xST. This feature enables the user to individually change the status of the output lines by software, for example when the corresponding compare timer is stopped.

CMPMODIF

Compare State Modification Register

(10_H)

Reset Value: 0000_H

15	14	13	12	11	10	9	8
Res	MCC 63R	Res		MCC 62R		MCC 61R	MCC 60R
r	w	r		w		w	w
7	6	5	4	3	2	1	0
Res	MCC 63S	Res		MCC 62S		MCC 61S	MCC 60S
r	w	r		w		w	w

Field	Bits	Type	Description
MCC60S, MCC61S, MCC62S, MCC63S	0, 1, 2, 6	w	Capture/Compare Status Modification Bits (Set) (x = 0, 1, 2, 3) These bits are used to set the corresponding CC6xST bits by software. This feature allows the user to individually change the status of the output lines by software, e.g. when the corresponding compare timer is stopped. This allows a bit manipulation of CC6xST-bits by a single data write action. Functionality see Table 113 .
Res	5:3, 7	r	Reserved Returns 0 if read; should be written with 0.
MCC60R, MCC61R, MCC62R, MCC63R	8, 9, 10, 14	w	Capture/Compare Status Modification Bits (Reset) (x = 0, 1, 2, 3) These bits are used to reset the corresponding CC6xST bits by software. This feature allows the user to individually change the status of the output lines by software, e.g. when the corresponding compare timer is stopped. This allows a bit manipulation of CC6xST-bits by a single data write action. Functionality see Table 113 .
Res	13:11, 15	r	Reserved Returns 0 if read; should be written with 0.

Table 113 Capture/Compare Status Modification Bits (Set and Reset)

Field	Bits	Description
MCC60S, MCC61S, MCC62S, MCC63S	0 1 2 6	The following functionality of a write access to bits concerning the same capture/compare state bit is provided (x = 0, 1, 2, 3): MCC6xR, MCC6xS = 00 _B Bit CC6xST is not changed.
MCC60R, MCC61R, MCC62R, MCC63R	8 9 10 14	01 _B Bit CC6xST is set. 10 _B Bit CC6xST is reset. 11 _B Reserved (toggle)

Register TCTR0 controls the basic functionality of both timers T12 and T13.

Note: A write action to the bit fields T12CLK or T12PRE is only taken into account while the timer T12 is not running (T12R = 0). A write action to the bit fields T13CLK or T13PRE is only taken into account while the timer T13 is not running (T13R = 0).

TCTR0

Timer Control Register 0

(30_H)

Reset Value: 0000_H

15	14	13	12	11	10	9	8
Res		STE 13	T13R	T13 PRE	T13CLK		
7	6	5	4	3	2	1	0
CTM	CDIR	STE12	T12R	T12 PRE	T12CLK		
rw	rh	rh	rh	rw	rw		

Field	Bits	Type	Description
T12CLK	2:0	rw	<p>Timer T12 Input Clock Select</p> <p>Selects the input clock for timer T12 which is derived from the peripheral clock according to the equation $f_{T12} = f_{CCU} / 2^{<T12CLK>}$.</p> <p>000_B $f_{T12} = f_{CCU}$ 001_B $f_{T12} = f_{CCU} / 2$ 010_B $f_{T12} = f_{CCU} / 4$ 011_B $f_{T12} = f_{CCU} / 8$ 100_B $f_{T12} = f_{CCU} / 16$ 101_B $f_{T12} = f_{CCU} / 32$ 110_B $f_{T12} = f_{CCU} / 64$ 111_B $f_{T12} = f_{CCU} / 128$</p>
T12PRE	3	rw	<p>Timer T12 Prescaler Bit</p> <p>In order to support higher clock frequencies, an additional prescaler factor of 1/256 can be enabled for the prescaler for T12.</p> <p>0_B The additional prescaler for T12 is disabled. 1_B The additional prescaler for T12 is enabled.</p>
T12R	4	rh	<p>Timer T12 Run Bit</p> <p>T12R starts and stops timer T12. It is set/reset by software by setting bits T12RS or T12RR, or it is reset by hardware according to the function defined by bit field T12SSC.</p> <p>A concurrent set/reset action on T12R (from T12SSC, T12RR or T12RS) will have no effect. The bit T12R will remain unchanged.</p> <p>0_B Timer T12 is stopped. 1_B Timer T12 is running.</p>

Capture/Compare Unit 6 (CCU6)

Field	Bits	Type	Description
STE12	5	rh	<p>Timer T12 Shadow Transfer Enable</p> <p>Bit STE12 enables or disables the shadow transfer of the T12 period value, the compare values and passive state select bits and levels from their shadow registers to the actual registers if a T12 shadow transfer event is detected. Bit STE12 is cleared by hardware after the shadow transfer.</p> <p>A T12 shadow transfer event is a period-match while counting up or a one-match while counting down.</p> <p>0_B The shadow register transfer is disabled. 1_B The shadow register transfer is enabled.</p>
CDIR	6	rh	<p>Count Direction of Timer T12</p> <p>This bit is set/reset according to the counting rules of T12.</p> <p>0_B T12 counts up. 1_B T12 counts down.</p>
CTM	7	rw	<p>T12 Operating Mode</p> <p>0_B Edge-aligned Mode: T12 always counts up and continues counting from zero after reaching the period value. 1_B Center-aligned Mode: T12 counts down after detecting a period-match and counts up after detecting a one-match.</p>
T13CLK	10:8	rw	<p>Timer T13 Input Clock Select</p> <p>Selects the input clock for timer T13 which is derived from the peripheral clock according to the equation</p> $f_{T13} = f_{CCU} / 2^{\langle T13CLK \rangle}$ <p>000_B $f_{T13} = f_{CCU}$ 001_B $f_{T13} = f_{CCU} / 2$ 010_B $f_{T13} = f_{CCU} / 4$ 011_B $f_{T13} = f_{CCU} / 8$ 100_B $f_{T13} = f_{CCU} / 16$ 101_B $f_{T13} = f_{CCU} / 32$ 110_B $f_{T13} = f_{CCU} / 64$ 111_B $f_{T13} = f_{CCU} / 128$</p>
T13PRE	11	rw	<p>Timer T13 Prescaler Bit</p> <p>In order to support higher clock frequencies, an additional prescaler factor of 1/256 can be enabled for the prescaler for T13.</p> <p>0_B The additional prescaler for T13 is disabled. 1_B The additional prescaler for T13 is enabled.</p>
T13R	12	rh	<p>Timer T13 Run Bit</p> <p>T13R starts and stops timer T13. It is set/reset by software by setting bits T13RS or T13RR or it is set/reset by hardware according to the function defined by bit fields T13SSC, T13TEC and T13TED.</p> <p>A concurrent set/reset action on T13R (from T13SSC, T13TEC, T13RR or T13RS) will have no effect. The bit T13R will remain unchanged.</p> <p>0_B Timer T13 is stopped. 1_B Timer T13 is running.</p>

Field	Bits	Type	Description
STE13	13	rh	<p>Timer T13 Shadow Transfer Enable</p> <p>Bit STE13 enables or disables the shadow transfer of the T13 period value, the compare value and passive state select bit and level from their shadow registers to the actual registers if a T13 shadow transfer event is detected. Bit STE13 is cleared by hardware after the shadow transfer.</p> <p>A T13 shadow transfer event is a period-match.</p> <p>0_B The shadow register transfer is disabled.</p> <p>1_B The shadow register transfer is enabled.</p>
Res	15:14	r	<p>Reserved</p> <p>Returns 0 if read; should be written with 0.</p>

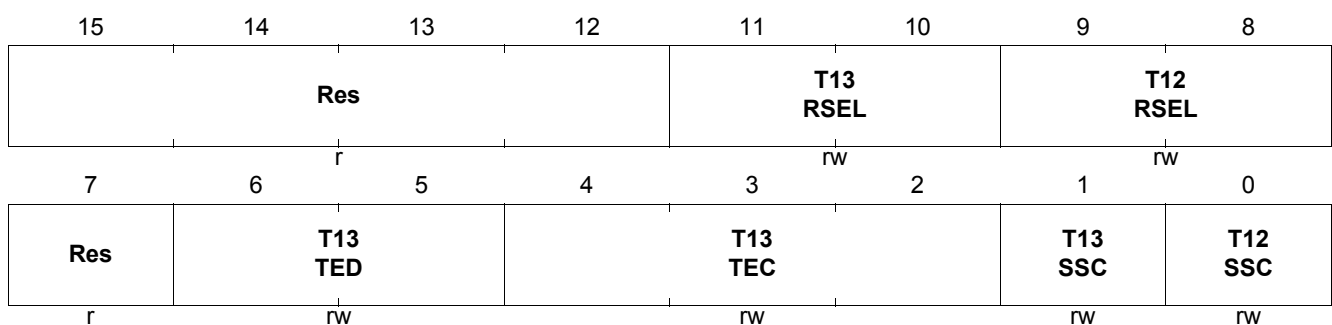
Register TCTR2 controls the single-shot and the synchronization functionality of both timers T12 and T13. Both timers can run in single-shot mode. In this mode, they stop their counting sequence automatically after one counting period with a count value of zero. The single-shot mode and the synchronization feature of T13 to T12 allow the generation of events with a programmable delay after well-defined PWM actions of T12. For example, this feature can be used to trigger AD conversions, after a specified delay (to avoid problems due to switching noise), synchronously to a PWM event.

TCTR2

Timer Control Register 2

(58_H)

Reset Value: 0000_H



Field	Bits	Type	Description
T12SSC	0	rw	<p>Timer T12 Single Shot Control</p> <p>This bit controls the single shot-mode of T12.</p> <p>0_B The single-shot mode is disabled, no hardware action on T12R.</p> <p>1_B The single shot mode is enabled, the bit T12R is reset by hardware if:</p> <ul style="list-style-type: none"> - T12 reaches its period value in edge-aligned mode - T12 reaches the value 1 while down counting in center-aligned mode. <p>In parallel to the reset action of bit T12R, the bits CC6xST (x = 0, 1, 2) are reset.</p>
T13SSC	1	rw	<p>Timer T13 Single Shot Control</p> <p>This bit controls the single shot-mode of T13.</p> <p>0_B No hardware action on T13R</p> <p>1_B The single-shot mode is enabled, the bit T13R is reset by hardware if T13 reaches its period value.</p> <p>In parallel to the reset action of bit T13R, the bit CC63ST is reset.</p>
T13TEC	4:2	rw	<p>T13 Trigger Event Control</p> <p>Bit field T13TEC selects the trigger event to start T13 (automatic set of T13R for synchronization to T12 compare signals) according to following combinations:</p> <p>000_B no action</p> <p>001_B set T13R on a T12 compare event on channel 0</p> <p>010_B set T13R on a T12 compare event on channel 1</p> <p>011_B set T13R on a T12 compare event on channel 2</p> <p>100_B set T13R on any T12 compare event on the channels 0, 1, or 2</p> <p>101_B set T13R upon a period-match of T12</p> <p>110_B set T13R upon a zero-match of T12 (while counting up)</p> <p>111_B set T13R on any edge of inputs CCPOSx</p>

Field	Bits	Type	Description
T13TED	6:5	rw	Timer T13 Trigger Event Direction Bit field T13TED delivers additional information to control the automatic set of bit T13R in the case that the trigger action defined by T13TEC is detected. 00 _B no action 01 _B while T12 is counting up 10 _B while T12 is counting down 11 _B independent on the count direction of T12
Res	7	r	Reserved Returns 0 if read; should be written with 0.
T12RSEL	9:8	rw	Timer T12 External Run Selection Bit field T12RSEL defines the event of signal T12HR that can set the run bit T12R by hardware. 00 _B The external setting of T12R is disabled. 01 _B Bit T12R is set if a rising edge of signal T12HR is detected. 10 _B Bit T12R is set if a falling edge of signal T12HR is detected. 11 _B Bit T12R is set if an edge of signal T12HR is detected.
T13RSEL	11:10	rw	Timer T13 External Run Selection Bit field T13RSEL defines the event of signal T13HR that can set the run bit T13R by hardware. 00 _B The external setting of T13R is disabled. 01 _B Bit T13R is set if a rising edge of signal T13HR is detected. 10 _B Bit T13R is set if a falling edge of signal T13HR is detected. 11 _B Bit T13R is set if an edge of signal T13HR is detected.
Res	15:12	r	Reserved Returns 0 if read; should be written with 0.

Example

If the timer T13 is intended to start at any compare event on T12 (T13TEC = 100_B), the trigger event direction can be programmed to:

- counting up >> a T12 channel 0, 1, 2 compare match triggers T13R only while T12 is counting up
- counting down >> a T12 channel 0, 1, 2 compare match triggers T13R only while T12 is counting down
- independent from bit CDIR >> each T12 channel 0, 1, 2 compare match triggers T13R

The timer count direction is taken from the value of bit CDIR. As a result, if T12 is running in edge-aligned mode (counting up only), T13 can only be started automatically if bit field T13TED = 01_B or 11_B.

Capture/Compare Unit 6 (CCU6)

Register TCTR4 provides software-control (independent set and clear conditions) for the run bits T12R and T13R. Furthermore, the timers can be reset (while running) and bits STE12 and STE13 can be controlled by software. Reading these bits always returns 0.

TCTR4

Timer Control Register 4

(04_H)

Reset Value: 0000_H

15	14	13	12	11	10	9	8
T13 STD	T13 STR	T13 CNT	Res		T13 RES	T13 RS	T13 RR
w	w	w	r		w	w	w
7	6	5	4	3	2	1	0
T12 STD	T12 STR	T12 CNT	Res	DT RES	T12 RES	T12 RS	T12 RR
w	w	w	r	w	w	w	w

Field	Bits	Type	Description
T12RR	0	w	Timer T12 Run Reset Setting this bit resets the T12R bit. 0 _B T12R is not influenced. 1 _B T12R is cleared, T12 stops counting.
T12RS	1	w	Timer T12 Run Set Setting this bit sets the T12R bit. 0 _B T12R is not influenced. 1 _B T12R is set, T12 counts.
T12RES	2	w	Timer T12 Reset 0 _B No effect on T12. 1 _B The T12 counter register is reset to zero. The switching of the output signals is according to the switching rules. Setting of T12RES has no impact on bit T12R.
DTRES	3	w	Dead-Time Counter Reset 0 _B No effect on the dead-time counters. 1 _B The three dead-time counter channels are reset to zero.
T12CNT	5	w	Timer T12 Count Event 0 _B No action 1 _B If enabled (PISEL2), timer T12 counts one step.
T12STR	6	w	Timer T12 Shadow Transfer Request 0 _B No action 1 _B STE12 is set, enabling the shadow transfer.
T12STD	7	w	Timer T12 Shadow Transfer Disable 0 _B No action 1 _B STE12 is reset without triggering the shadow transfer.
Res	4	r	Reserved Returns 0 if read; should be written with 0.
T13RR	8	w	Timer T13 Run Reset Setting this bit resets the T13R bit. 0 _B T13R is not influenced. 1 _B T13R is cleared, T13 stops counting.

Field	Bits	Type	Description
T13RS	9	w	Timer T13 Run Set Setting this bit sets the T13R bit. 0 _B T13R is not influenced. 1 _B T13R is set, T13 counts.
T13RES	10	w	Timer T13 Reset 0 _B No effect on T13. 1 _B The T13 counter register is reset to zero. The switching of the output signals is according to the switching rules. Setting of T13RES has no impact on bit T13R.
T13CNT	13	w	Timer T13 Count Event 0 _B No action 1 _B If enabled (PISEL2), timer T13 counts one step.
T13STR	14	w	Timer T13 Shadow Transfer Request 0 _B No action 1 _B STE13 is set, enabling the shadow transfer.
T13STD	15	w	Timer T13 Shadow Transfer Disable 0 _B No action 1 _B STE13 is reset without triggering the shadow transfer.
Res	12:11	r	Reserved Returns 0 if read; should be written with 0.

Note: A simultaneous write of a 1 to bits which set and reset the same bit will trigger no action. The corresponding bit will remain unchanged.

18.11.5 Global Modulation Control Registers

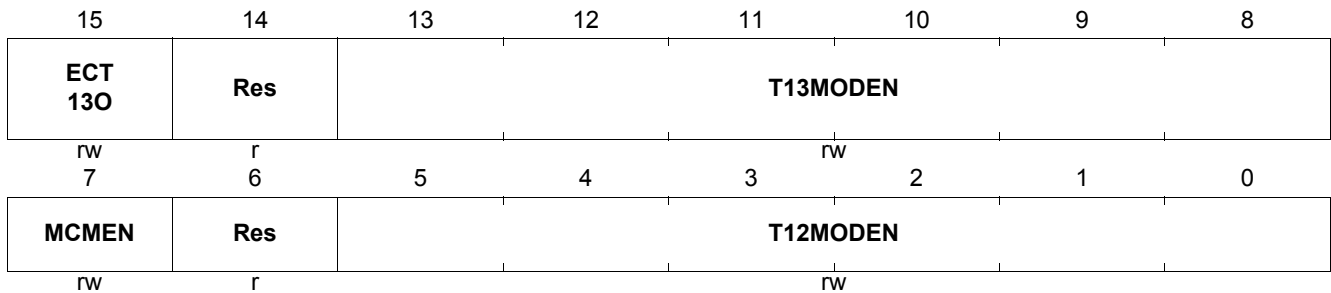
Register MODCTR contains control bits enabling the modulation of the corresponding output signal by PWM pattern generated by the timers T12 and T13. Furthermore, the multi-channel mode can be enabled as additional modulation source for the output signals.

MODCTR

Modulation Control Register

(5C_H)

Reset Value: 0000_H



Field	Bits	Type	Description
T12MODEN	5:0	rw	<p>T12 Modulation Enable</p> <p>Setting these bits enables the modulation of the corresponding compare channel by a PWM pattern generated by timer T12. The bit positions are corresponding to the following output signals:</p> <p>Bit 0: modulation of CC60 Bit 1: modulation of COUT60 Bit 2: modulation of CC61 Bit 3: modulation of COUT61 Bit 4: modulation of CC62 Bit 5: modulation of COUT62</p> <p>The enable feature of the modulation is defined as follows:</p> <p>0_B The modulation of the corresponding output signal by a T12 PWM pattern is disabled. 1_B The modulation of the corresponding output signal by a T12 PWM pattern is enabled.</p>
MCMEN	7	rw	<p>Multi-Channel Mode Enable</p> <p>0_B The modulation of the corresponding output signal by a multi-channel pattern according to bit field MCMOUT is disabled. 1_B The modulation of the corresponding output signal by a multi-channel pattern according to bit field MCMOUT is enabled.</p>
Res	6	r	<p>Reserved</p> <p>Returns 0 if read; should be written with 0.</p>

Field	Bits	Type	Description
T13MODEN	13:8	rw	<p>T13 Modulation Enable</p> <p>Setting these bits enables the modulation of the corresponding compare channel by a PWM pattern generated by timer T13. The bit positions are corresponding to the following output signals:</p> <p>Bit 0: modulation of CC60 Bit 1: modulation of COUT60 Bit 2: modulation of CC61 Bit 3: modulation of COUT61 Bit 4: modulation of CC62 Bit 5: modulation of COUT62</p> <p>The enable feature of the modulation is defined as follows:</p> <p>0_B The modulation of the corresponding output signal by a T13 PWM pattern is disabled. 1_B The modulation of the corresponding output signal by a T13 PWM pattern is enabled.</p>
ECT130	15	rw	<p>Enable Compare Timer T13 Output</p> <p>0_B The alternate output function COUT63 is disabled. 1_B The alternate output function COUT63 is enabled for the PWM signal generated by T13.</p>
Res	14	r	<p>Reserved</p> <p>Returns 0 if read; should be written with 0.</p>

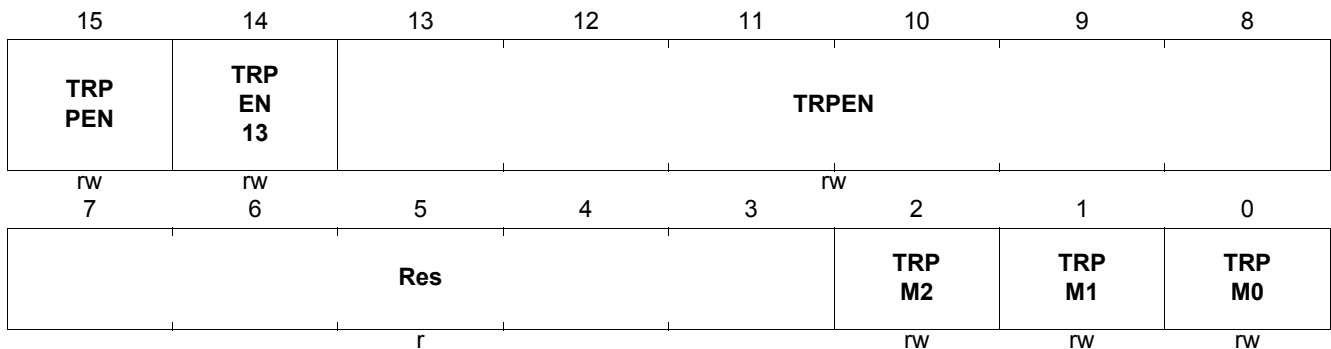
The register TRPCTR controls the trap functionality. It contains independent enable bits for each output signal and control bits to select the behavior in case of a trap condition. The trap condition is a low-level on the $\overline{\text{CTRAP}}$ input pin, which is monitored (inverted level) by bit IS.TRPF. While TRPF = 1 (trap input active), the trap state bit IS.TRPS is set to 1.

TRPCTR

Trap Control Register

(60_H)

Reset Value: 0000_H



Field	Bits	Type	Description
TRPM0, TRPM1	0, 1	rw	Trap Mode Control Bits 1, 0 These two bits define the behavior of the selected outputs when leaving the trap state after the trap condition has become inactive again. A synchronization to the timer driving the PWM pattern permits to avoid unintended short pulses when leaving the trap state. See Table 114 .
TRPM2	2	rw	Trap Mode Control Bit 2 0 _B The trap state can be left (return to normal operation = bit TRPS = 0) as soon as the input $\overline{\text{CTRAP}}$ becomes inactive. Bit TRPF is automatically cleared by hardware if the input pin $\overline{\text{CTRAP}}$ becomes 1. Bit TRPS is automatically cleared by hardware if bit TRPF is 0 and if the synchronization condition (according to TRPM0,1) is detected. 1 _B The trap state can be left (return to normal operation = bit TRPS = 0) as soon as bit TRPF is reset by software after the input $\overline{\text{CTRAP}}$ becomes inactive (TRPF is not cleared by hardware). Bit TRPS is automatically cleared by hardware if bit TRPF = 0 and if the synchronization condition (according to TRPM0,1) is detected.
Res	7:3	r	Reserved Returns 0 if read; should be written with 0.

Field	Bits	Type	Description
TRPEN	13:8	rw	<p>Trap Enable Control</p> <p>Setting these bits enables the trap functionality for the following corresponding output signals:</p> <ul style="list-style-type: none"> Bit 0: trap functionality of CC60 Bit 1: trap functionality of COUT60 Bit 2: trap functionality of CC61 Bit 3: trap functionality of COUT61 Bit 4: trap functionality of CC62 Bit 5: trap functionality of COUT62 <p>The enable feature of the trap functionality is defined as follows:</p> <p>0_B The trap functionality of the corresponding output signal is disabled. The output state is independent from bit TRPS.</p> <p>1_B The trap functionality of the corresponding output signal is enabled. The output is set to the passive state while TRPS = 1.</p>
TRPEN13	14	rw	<p>Trap Enable Control for Timer T13</p> <p>0_B The trap functionality for T13 is disabled. Timer T13 (if selected and enabled) provides PWM functionality even while TRPS = 1.</p> <p>1_B The trap functionality for T13 is enabled. The timer T13 PWM output signal is set to the passive state while TRPS = 1.</p>
TRPPEN	15	rw	<p>Trap Pin Enable</p> <p>0_B The trap functionality based on the input pin $\overline{\text{CTRAP}}$ is disabled. A trap can only be generated by software by setting bit TRPF.</p> <p>1_B The trap functionality based on the input pin $\overline{\text{CTRAP}}$ is enabled. A trap can be generated by software by setting bit TRPF or by $\overline{\text{CTRAP}} = 0$.</p>

Table 114 Trap Mode Control Bits 1, 0

Field	Bits	Description
TRPM0, TRPM1	0 1	<p>A synchronization to the timer driving the PWM pattern permits to avoid unintended short pulses when leaving the trap state. The combination (TRPM1, TRPM0) leads to:</p> <p>00_B The trap state is left (return to normal operation according to TRPM2) when a zero-match of T12 (while counting up) is detected (synchronization to T12).</p> <p>01_B The trap state is left (return to normal operation according to TRPM2) when a zero-match of T13 is detected (synchronization to T13).</p> <p>10_B reserved</p> <p>11_B The trap state is left (return to normal operation according to TRPM2) immediately without any synchronization to T12 or T13.</p>

Capture/Compare Unit 6 (CCU6)

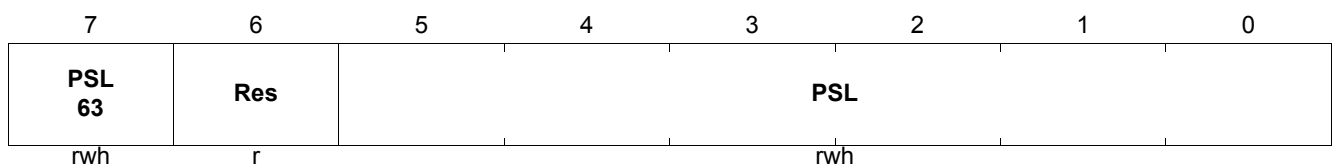
Register PSLR defines the passive state level driven by the output pins of the module. The passive state level is the value that is driven by the port pin during the passive state of the output. During the active state, the corresponding output pin drives the active state level, which is the inverted passive state level. The passive state level permits the adaptation of the driven output levels to the driver polarity (inverted, not inverted) of the connected power stage. The bits in this register have shadow bit fields to permit a concurrent update of all PWM-related parameters (bit field PSL is updated with T12_ST, whereas PSL63 is updated with T13_ST). The actually used values can be read (attribute “rh”), whereas the shadow bits can only be written (attribute “w”).

PSLR

Passive State Level Register

(50_H)

Reset Value: 00_H



Field	Bits	Type	Description
PSL	5:0	rwh	<p>Compare Outputs Passive State Level</p> <p>The bits of this bit field define the passive level driven by the module outputs during the passive state. The bit positions are:</p> <p>Bit 0: passive level for output CC60 Bit 1: passive level for output COUT60 Bit 2: passive level for output CC61 Bit 3: passive level for output COUT61 Bit 4: passive level for output CC62 Bit 5: passive level for output COUT62</p> <p>The value of each bit position is defined as:</p> <p>0_B The passive level is 0. 1_B The passive level is 1.</p>
PSL63	7	rwh	<p>Passive State Level of Output COUT63</p> <p>This bit field defines the passive level of the output pin COUT63.</p> <p>0_B The passive level is 0. 1_B The passive level is 1.</p>
Res	6	r	<p>Reserved</p> <p>Returns 0 if read; should be written with 0.</p>

Notes

1. Bit field PSL has a shadow register to allow for updates without undesired pulses on the output lines. The bits are updated with the T12 shadow transfer. A read action targets the actually used values, whereas a write action targets the shadow bits.
2. Bit field PSL63 has a shadow register to allow for updates without undesired pulses on the output line. The bit is updated with the T13 shadow transfer. A read action targets the actually used values, whereas a write action targets the shadow bits.

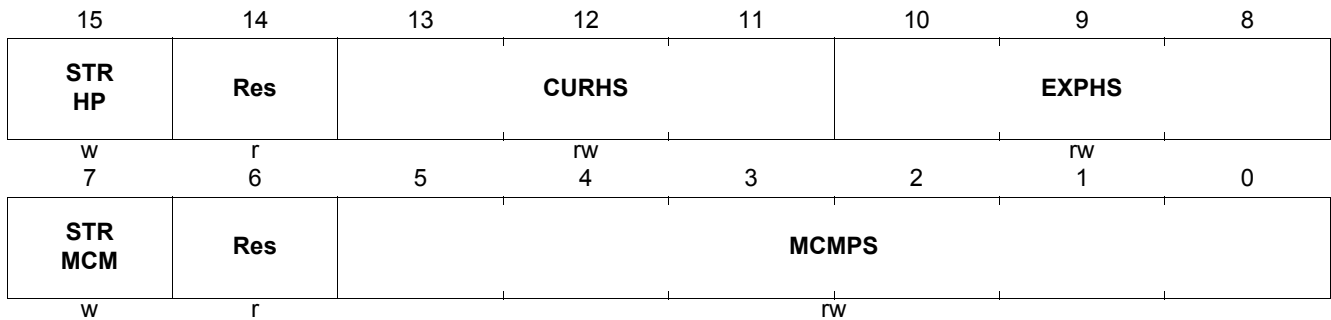
18.11.6 Multi-Channel Modulation Control Registers

Register MCMOUTS contains bits used as pattern input for the multi-channel mode and the Hall mode. This register is a shadow register (that can be read and written) for register MCMOUT, which indicates the currently active signals.

MCMOUTS

Multi-Channel Mode Output Shadow Register (08_H)

Reset Value: 0000_H



Field	Bits	Type	Description
MCMPS	5:0	rw	Multi-Channel PWM Pattern Shadow Bit field MCMPS is the shadow bit field for bit field MCMP. The multi-channel shadow transfer is triggered according to the transfer conditions defined by register MCMCTR.
STRMCM	7	w	Shadow Transfer Request for MCMPS Setting this bit during a write action leads to an immediate update of bit field MCMP by the value written to bit field MCMPS. This functionality permits an update triggered by software. When read, this bit always delivers 0. 0 _B Bit field MCMP is updated according to the defined hardware action. The write access to bit field MCMPS does not modify bit field MCMP. 1 _B Bit field MCMP is updated by the value written to bit field MCMPS.
Res	6	r	Reserved Returns 0 if read; should be written with 0.
EXPHS	10:8	rw	Expected Hall Pattern Shadow Bit field EXPHS is the shadow bit field for bit field EXPH. The bit field is transferred to bit field EXPH if an edge on the hall input pins CCPOSx (x = 0, 1, 2) is detected.
CURHS	13:11	rw	Current Hall Pattern Shadow Bit field CURHS is the shadow bit field for bit field CURH. The bit field is transferred to bit field CURH if an edge on the hall input pins CCPOSx (x = 0, 1, 2) is detected.

Capture/Compare Unit 6 (CCU6)

Field	Bits	Type	Description
STRHP	15	w	<p>Shadow Transfer Request for the Hall Pattern</p> <p>Setting these bits during a write action leads to an immediate update of bit fields CURH and EXPH by the value written to bit fields CURHS and EXPH. This functionality permits an update triggered by software. When read, this bit always delivers 0.</p> <p>0_B The bit fields CURH and EXPH are updated according to the defined hardware action. The write access to bit fields CURHS and EXPHS does not modify the bit fields CURH and EXPH.</p> <p>1_B The bit fields CURH and EXPH are updated by the value written to the bit fields CURHS and EXPHS.</p>
Res	14	r	<p>Reserved</p> <p>Returns 0 if read; should be written with 0.</p>

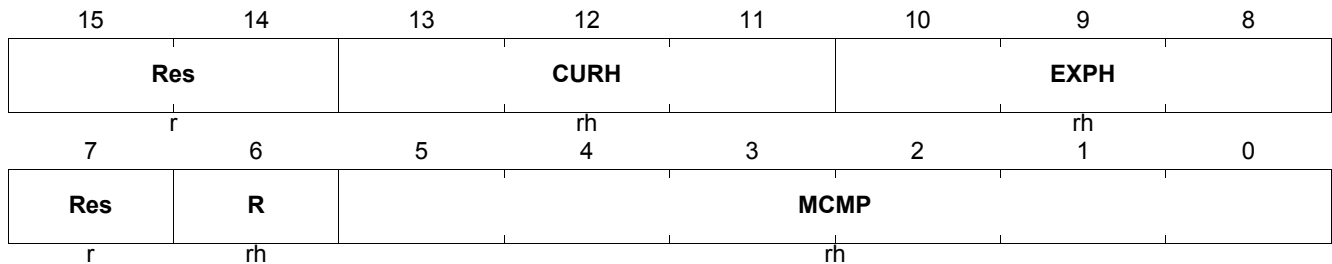
Register MCMOUT shows the multi-channel control bits that are currently used. Register MCMOUT is defined as follows:

MCMOUT

Multi-Channel Mode Output Register

(64_H)

Reset Value: 0000_H



Field	Bits	Type	Description
MCMP	5:0	rh	<p>Multi-Channel PWM Pattern</p> <p>Bit field MCMP is written by a shadow transfer from bit field MCMPS. It contains the output pattern for the multi-channel mode. If this mode is enabled by bit MCMEN in register MODCTR, the output state of the following output signal can be modified:</p> <p>Bit 0: multi-channel state for output CC60 Bit 1: multi-channel state for output COUT60 Bit 2: multi-channel state for output CC61 Bit 3: multi-channel state for output COUT61 Bit 4: multi-channel state for output CC62 Bit 5: multi-channel state for output COUT62</p> <p>The multi-channel patterns can set the related output to the passive state.</p> <p>While IDLE = 1, bit field MCMP is cleared.</p> <p>0_B The output is set to the passive state. The PWM generated by T12 or T13 is not taken into account.</p> <p>1_B The output can deliver the PWM generated by T12 or T13 (according to register MODCTR).</p>
R	6	rh	<p>Reminder Flag</p> <p>This reminder flag indicates that the shadow transfer from bit field MCMPS to MCMP has been requested by the selected trigger source. This bit is cleared when the shadow transfer takes place and while MCMEN = 0.</p> <p>0_B Currently, no shadow transfer from MCMPS to MCMP is requested.</p> <p>1_B A shadow transfer from MCMPS to MCMP has been requested by the selected trigger source, but it has not yet been executed, because the selected synchronization condition has not yet occurred.</p>
Res	7	r	<p>Reserved</p> <p>Returns 0 if read; should be written with 0.</p>

Field	Bits	Type	Description
EXPH	10:8	rh	<p>Expected Hall Pattern</p> <p>Bit field EXPH is written by a shadow transfer from bit field EXPHS. The contents are compared after every detected edge at the hall input pins with the pattern at the hall input pins in order to detect the occurrence of the next desired (= expected) hall pattern or a wrong pattern.</p> <p>If the current hall pattern at the hall input pins is equal to the bit field EXPH, bit CHE (correct hall event) is set and an interrupt request is generated (if enabled by bit ENCHE).</p> <p>If the current hall pattern at the hall input pins is not equal to the bit fields CURH or EXPH, bit WHE (wrong hall event) is set and an interrupt request is generated (if enabled by bit ENWHE).</p>
CURH	13:11	rh	<p>Current Hall Pattern</p> <p>Bit field CURH is written by a shadow transfer from bit field CURHS. The contents are compared after every detected edge at the hall input pins with the pattern at the hall input pins in order to detect the occurrence of the next desired (= expected) hall pattern or a wrong pattern.</p> <p>If the current hall input pattern is equal to bit field CURH, the detected edge at the hall input pins has been an invalid transition (e.g. a spike).</p>
Res	15:14	r	<p>Reserved</p> <p>Returns 0 if read; should be written with 0.</p>

Note: The bits in the bit fields EXPH and CURH correspond to the hall patterns at the input pins CCPOS_x (x = 0, 1, 2) in the following order (EXPH.2, EXPH.1, EXPH.0), (CURH.2, CURH.1, CURH.0), (CCPOS2, CCPOS.1, CCPOS0).

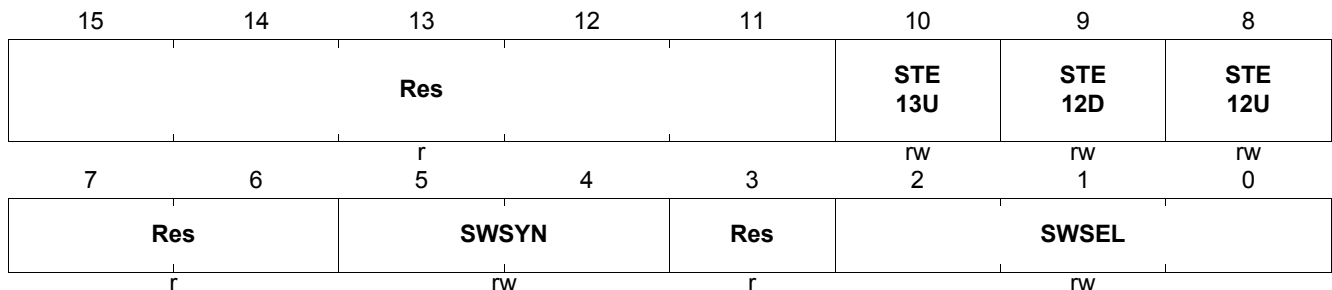
Register MCMCTR contains control bits for the multi-channel functionality.

MCMCTR

Multi-Channel Mode Control Register

(54_H)

Reset Value: 0000_H



Field	Bits	Type	Description
SWSEL	2:0	rw	<p>Switching Selection</p> <p>Bit field SWSEL selects one of the following trigger request sources (next multi-channel event) for the shadow transfer from MCMPS to MCMP. The trigger request is stored in the reminder flag R until the shadow transfer is done and flag R is cleared automatically with the shadow transfer. The shadow transfer takes place synchronously with an event selected in bit field SWSYN.</p> <p>000_B no trigger request will be generated 001_B correct hall pattern on CCPOSx detected 010_B T13 period-match detected (while counting up) 011_B T12 one-match (while counting down) 100_B T12 channel 1 compare-match detected (phase delay function) 101_B T12 period match detected (while counting up) else reserved, no trigger request will be generated</p>
SWSYN	5:4	rw	<p>Switching Synchronization</p> <p>Bit field SWSYN triggers the shadow transfer between MCMPS and MCMP if it has been requested before (flag R set by an event selected by SWSEL). This feature permits the synchronization of the outputs to the PWM source, that is used for modulation (T12 or T13).</p> <p>00_B direct; the trigger event directly causes the shadow transfer 01_B T13 zero-match triggers the shadow transfer 10_B a T12 zero-match (while counting up) triggers the shadow transfer 11_B reserved; no action</p>
Res	3, 6, 7	r	<p>Reserved</p> <p>Returns 0 if read; should be written with 0.</p>
STE12U	8	rw	<p>Shadow Transfer Enable for T12 Upcounting</p> <p>This bit enables the shadow transfer T12_ST if flag MCMOUT.R is set or becomes set while a T12 period match is detected while counting up.</p> <p>0_B No action 1_B The T12_ST shadow transfer mechanism is enabled if MCMEN = 1.</p>

Field	Bits	Type	Description
STE12D	9	rw	<p>Shadow Transfer Enable for T12 Downcounting</p> <p>This bit enables the shadow transfer T12_ST if flag MCMOUT.R is set or becomes set while a T12 one match is detected while counting down.</p> <p>0_B No action 1_B The T12_ST shadow transfer mechanism is enabled if MCMEN = 1.</p>
STE13U	10	rw	<p>Shadow Transfer Enable for T13 Upcounting</p> <p>This bit enables the shadow transfer T13_ST if flag MCMOUT.R is set or becomes set while a T13 period match is detected.</p> <p>0_B No action 1_B The T13_ST shadow transfer mechanism is enabled if MCMEN = 1.</p>
Res	15:11	r	<p>Reserved</p> <p>Returns 0 if read; should be written with 0.</p>

18.11.7 Interrupt Control Registers

Register IS contains the individual interrupt request bits. This register can only be read; write actions have no impact on the contents of this register. The software can set or reset the bits individually by writing to the registers ISS (to set the bits) or to register ISR (to reset the bits).

The interrupt generation is independent from the value of the bits in register IS, e.g. the interrupt will be generated (if enabled) even if the corresponding bit is already set. The trigger for an interrupt generation is the detection of a set condition (by HW or SW) for the corresponding bit in register IS.

In compare mode (and hall mode), the timer-related interrupts are only generated while the timer is running (T1xR = 1). In capture mode, the capture interrupts are also generated while the timer T12 is stopped.

Note: Not all bits in register IS can generate an interrupt. Other status bits have been added, that have a similar structure for their set and clear actions. It is recommended that SW checks the interrupt bits bit-wisely (instead of common OR over the bits).

IS

Capture/Compare Interrupt Status Register

(68_H)

Reset Value: 0000_H

15	14	13	12	11	10	9	8
STR	IDLE	WHE	CHE	TRP S	TRP F	T13 PM	T13 CM
rh	rh	rh	rh	rh	rh	rh	rh
7	6	5	4	3	2	1	0
T12 PM	T12 OM	ICC 62F	ICC 62R	ICC 61F	ICC 61R	ICC 60F	ICC 60R
rh	rh	rh	rh	rh	rh	rh	rh

Field	Bits	Type	Description
ICC60R, ICC61R, ICC62R	0, 2, 4	rh	Capture, Compare-Match Rising Edge Flag (x = 0, 1, 2) In compare mode, a compare-match has been detected while T12 was counting up. In capture mode, a rising edge has been detected at the input CC6x. 0 _B The event has not yet occurred since this bit has been reset for the last time. 1 _B The event described above has been detected.
ICC60F, ICC61F, ICC62F	1, 3, 5	rh	Capture, Compare-Match Falling Edge Flag (x = 0, 1, 2) In compare mode, a compare-match has been detected while T12 was counting down. In capture mode, a falling edge has been detected at the input CC6x. 0 _B The event has not yet occurred since this bit has been reset for the last time. 1 _B The event described above has been detected.
T12OM	6	rh	Timer T12 One-Match Flag 0 _B A timer T12 one-match (while counting down) has not yet been detected since this bit has been reset for the last time. 1 _B A timer T12 one-match (while counting down) has been detected.
T12PM	7	rh	Timer T12 Period-Match Flag 0 _B A timer T12 period-match (while counting up) has not yet been detected since this bit has been reset for the last time. 1 _B A timer T12 period-match (while counting up) has been detected.

Capture/Compare Unit 6 (CCU6)

Field	Bits	Type	Description
T13CM	8	rh	<p>Timer T13 Compare-Match Flag</p> <p>0_B A timer T13 compare-match has not yet been detected since this bit has been reset for the last time.</p> <p>1_B A timer T13 compare-match has been detected.</p>
T13PM	9	rh	<p>Timer T13 Period-Match Flag</p> <p>0_B A timer T13 period-match has not yet been detected since this bit has been reset for the last time.</p> <p>1_B A timer T13 period-match has been detected.</p>
TRPF	10	rh	<p>Trap Flag</p> <p>The trap flag TRPF will be set by hardware if TRPPEN = 1 and $\overline{\text{CTRAP}} = 0$ or by software. If TRPM2 = 0, bit TRPF is reset by hardware if the input $\overline{\text{CTRAP}}$ becomes inactive (TRPPEN = 1). If TRPM2 = 1, bit TRPF must be reset by software in order to leave the trap state.</p> <p>0_B The trap condition has not been detected.</p> <p>1_B The trap condition has been detected (input $\overline{\text{CTRAP}}$ has been 0 or by software).</p>
TRPS	11	rh	<p>Trap State</p> <p>During the trap state, the selected outputs are set to the passive state. The logic level driven during the passive state is defined by the corresponding bit in register PSLR. Bit TRPS = 1 and TRPF = 0 can occur if the trap condition is no longer active but the selected synchronization has not yet taken place.</p> <p>0_B The trap state is not active.</p> <p>1_B The trap state is active. Bit TRPS is set while bit TRPF = 1. It is reset according to the mode selected in register TRPCTR.</p>
CHE	12	rh	<p>Correct Hall Event</p> <p>On every valid hall edge, the contents of EXPH are compared with the pattern on pin CCPOSx and if equal bit CHE is set.</p> <p>0_B A transition to a correct (= expected) hall event has not yet been detected since this bit has been reset for the last time.</p> <p>1_B A transition to a correct (= expected) hall event has been detected.</p>
WHE	13	rh	<p>Wrong Hall Event</p> <p>On every valid hall edge, the contents of EXPH are compared with the pattern on pin CCPOSx. If both comparisons (CURH and EXPH with CCPOSx) are not true, bit WHE (wrong hall event) is set.</p> <p>0_B A transition to a wrong hall event (not the expected one) has not yet been detected since this bit has been reset for the last time.</p> <p>1_B A transition to a wrong hall event (not the expected one) has been detected.</p>
IDLE	14	rh	<p>IDLE State</p> <p>This bit is set together with bit WHE (wrong hall event) and it must be reset by software.</p> <p>0_B No action.</p> <p>1_B Bit field MCMP is cleared and held to 0, the selected outputs are set to passive state.</p>
STR	15	rh	<p>Multi-Channel Mode Shadow Transfer Request</p> <p>This bit is set when a shadow transfer from MCMOUTS to MCMOUT takes places in multi-channel mode.</p> <p>0_B The shadow transfer has not yet taken place.</p> <p>1_B The shadow transfer has taken place.</p>

Capture/Compare Unit 6 (CCU6)

Register ISS contains individual interrupt request set bits to generate a CCU6 interrupt request by software. Writing a 1 sets the bit(s) in register IS at the corresponding bit position(s) and can generate an interrupt event (if available and enabled). All bit positions read as 0.

ISS

Capture/Compare Interrupt Status Set Register (4C_H)

Reset Value: 0000_H

15	14	13	12	11	10	9	8
S STR	S IDLE	S WHE	S CHE	S WHC	S TRPF	S T13 PM	S T13 CM
w	w	w	w	w	w	w	w
7	6	5	4	3	2	1	0
S T12 PM	S T12 OM	S CC 62F	S CC 62R	S CC 61F	S CC 61R	S CC 60F	S CC 60R
w	w	w	w	w	w	w	w

Field	Bits	Type	Description
SCC60R	0	w	Set Capture, Compare-Match Rising Edge Flag 0 _B No action 1 _B Bit CC60R in register IS will be set.
SCC60F	1	w	Set Capture, Compare-Match Falling Edge Flag 0 _B No action 1 _B Bit CC60F in register IS will be set.
SCC61R	2	w	Set Capture, Compare-Match Rising Edge Flag 0 _B No action 1 _B Bit CC61R in register IS will be set.
SCC61F	3	w	Set Capture, Compare-Match Falling Edge Flag 0 _B No action 1 _B Bit CC61F in register IS will be set.
SCC62R	4	w	Set Capture, Compare-Match Rising Edge Flag 0 _B No action 1 _B Bit CC62R in register IS will be set.
SCC62F	5	w	Set Capture, Compare-Match Falling Edge Flag 0 _B No action 1 _B Bit CC62F in register IS will be set.
ST12OM	6	w	Set Timer T12 One-Match Flag 0 _B No action 1 _B Bit T12OM in register IS will be set.
ST12PM	7	w	Set Timer T12 Period-Match Flag 0 _B No action 1 _B Bit T12PM in register IS will be set.
ST13CM	8	w	Set Timer T13 Compare-Match Flag 0 _B No action 1 _B Bit T13CM in register IS will be set.

Capture/Compare Unit 6 (CCU6)

Field	Bits	Type	Description
ST13PM	9	w	Set Timer T13 Period-Match Flag 0 _B No action 1 _B Bit T13PM in register IS will be set.
STRPF	10	w	Set Trap Flag 0 _B No action 1 _B Bits TRPF and TRPS in register IS will be set.
SWHC	11	w	Software Hall Compare 0 _B No action 1 _B The Hall compare action is triggered.
SCHE	12	w	Set Correct Hall Event Flag 0 _B No action 1 _B Bit CHE in register IS will be set.
SWHE	13	w	Set Wrong Hall Event Flag 0 _B No action 1 _B Bit WHE in register IS will be set.
SIDLE	14	w	Set IDLE Flag 0 _B No action 1 _B Bit IDLE in register IS will be set.
SSTR	15	w	Set STR Flag 0 _B No action 1 _B Bit STR in register IS will be set.

Note: If the setting by hardware of the corresponding flags can lead to an interrupt, the setting by software has the same effect.

Capture/Compare Unit 6 (CCU6)

Register ISR contains bits to individually clear the interrupt event flags by software. Writing a 1 clears the bit(s) in register IS at the corresponding bit position(s). All bit positions read as 0.

ISR

Capture/Compare Interrupt Status Reset Register (0C_H)

Reset Value: 0000_H

15	14	13	12	11	10	9	8
R STR	R IDLE	R WHE	R CHE	Res	R TRPF	R T13 PM	R T13 CM
w	w	w	w	r	w	w	w
7	6	5	4	3	2	1	0
R T12 PM	R T12 OM	R CC 62F	R CC 62R	R CC 61F	R CC 61R	R CC 60F	R CC 60R
w	w	w	w	w	w	w	w

Field	Bits	Type	Description
RCC60R	0	w	Reset Capture, Compare-Match Rising Edge Flag 0 _B No action 1 _B Bit CC60R in register IS will be reset.
RCC60F	1	w	Reset Capture, Compare-Match Falling Edge Flag 0 _B No action 1 _B Bit CC60F in register IS will be reset.
RCC61R	2	w	Reset Capture, Compare-Match Rising Edge Flag 0 _B No action 1 _B Bit CC61R in register IS will be reset.
RCC61F	3	w	Reset Capture, Compare-Match Falling Edge Flag 0 _B No action 1 _B Bit CC61F in register IS will be reset.
RCC62R	4	w	Reset Capture, Compare-Match Rising Edge Flag 0 _B No action 1 _B Bit CC62R in register IS will be reset.
RCC62F	5	w	Reset Capture, Compare-Match Falling Edge Flag 0 _B No action 1 _B Bit CC62F in register IS will be reset.
RT12OM	6	w	Reset Timer T12 One-Match Flag 0 _B No action 1 _B Bit T12OM in register IS will be reset.
RT12PM	7	w	Reset Timer T12 Period-Match Flag 0 _B No action 1 _B Bit T12PM in register IS will be reset.
RT13CM	8	w	Reset Timer T13 Compare-Match Flag 0 _B No action 1 _B Bit T13CM in register IS will be reset.
RT13PM	9	w	Reset Timer T13 Period-Match Flag 0 _B No action 1 _B Bit T13PM in register IS will be reset.

Field	Bits	Type	Description
RTRPF	10	w	Reset Trap Flag 0 _B No action 1 _B Bit TRPF in register IS will be reset (not taken into account while input $\overline{\text{CTRAP}} = 0$ and TRPPEN = 1.
Res	11	r	Reserved Returns 0 if read; should be written with 0.
RCHE	12	w	Reset Correct Hall Event Flag 0 _B No action 1 _B Bit CHE in register IS will be reset.
RWHE	13	w	Reset Wrong Hall Event Flag 0 _B No action 1 _B Bit WHE in register IS will be reset.
RIDLE	14	w	Reset IDLE Flag 0 _B No action 1 _B Bit IDLE in register IS will be reset.
RSTR	15	w	Reset STR Flag 0 _B No action 1 _B Bit STR in register IS will be reset.

Capture/Compare Unit 6 (CCU6)

Register IEN contains the interrupt enable bits and a control bit to enable the automatic idle function in the case of a wrong hall pattern.

IEN

Capture/Compare Interrupt Enable Register

(44_H)

Reset Value: 0000_H

15	14	13	12	11	10	9	8
EN STR	EN IDLE	EN WHE	EN CHE	Res	EN TRPF	EN T13 PM	EN T13 CM
rw	rw	rw	rw	r	rw	rw	rw
7	6	5	4	3	2	1	0
EN T12 PM	EN T12 OM	EN CC 62F	EN CC 62R	EN CC 61F	EN CC 61R	EN CC 60F	EN CC 60R
rw	rw	rw	rw	rw	rw	rw	rw

Field	Bits	Type	Description
ENCC60R	0	rw	Capture, Compare-Match Rising Edge Interrupt Enable for Channel 0 0 _B No interrupt will be generated if the set condition for bit CC60R in register IS occurs. 1 _B An interrupt will be generated if the set condition for bit CC60R in register IS occurs. The interrupt line that will be activated is selected by bit field INPCC60.
ENCC60F	1	rw	Capture, Compare-Match Falling Edge Interrupt Enable for Channel 0 0 _B No interrupt will be generated if the set condition for bit CC60F in register IS occurs. 1 _B An interrupt will be generated if the set condition for bit CC60F in register IS occurs. The interrupt line that will be activated is selected by bit field INPCC60.
ENCC61R	2	rw	Capture, Compare-Match Rising Edge Interrupt Enable for Channel 1 0 _B No interrupt will be generated if the set condition for bit CC61R in register IS occurs. 1 _B An interrupt will be generated if the set condition for bit CC61R in register IS occurs. The interrupt line that will be activated is selected by bit field INPCC61.
ENCC61F	3	rw	Capture, Compare-Match Falling Edge Interrupt Enable for Channel 1 0 _B No interrupt will be generated if the set condition for bit CC61F in register IS occurs. 1 _B An interrupt will be generated if the set condition for bit CC61F in register IS occurs. The interrupt line that will be activated is selected by bit field INPCC61.

Capture/Compare Unit 6 (CCU6)

Field	Bits	Type	Description
ENCC62R	4	rw	<p>Capture, Compare-Match Rising Edge Interrupt Enable for Channel 2</p> <p>0_B No interrupt will be generated if the set condition for bit CC62R in register IS occurs.</p> <p>1_B An interrupt will be generated if the set condition for bit CC62R in register IS occurs. The interrupt line that will be activated is selected by bit field INPCC62.</p>
ENCC62F	5	rw	<p>Capture, Compare-Match Falling Edge Interrupt Enable for Channel 2</p> <p>0_B No interrupt will be generated if the set condition for bit CC62F in register IS occurs.</p> <p>1_B An interrupt will be generated if the set condition for bit CC62F in register IS occurs. The interrupt line that will be activated is selected by bit field INPCC62.</p>
ENT12OM	6	rw	<p>Enable Interrupt for T12 One-Match</p> <p>0_B No interrupt will be generated if the set condition for bit T12OM in register IS occurs.</p> <p>1_B An interrupt will be generated if the set condition for bit T12OM in register IS occurs. The interrupt line that will be activated is selected by bit field INPT12.</p>
ENT12PM	7	rw	<p>Enable Interrupt for T12 Period-Match</p> <p>0_B No interrupt will be generated if the set condition for bit T12PM in register IS occurs.</p> <p>1_B An interrupt will be generated if the set condition for bit T12PM in register IS occurs. The interrupt line that will be activated is selected by bit field INPT12.</p>
ENT13CM	8	rw	<p>Enable Interrupt for T13 Compare-Match</p> <p>0_B No interrupt will be generated if the set condition for bit T13CM in register IS occurs.</p> <p>1_B An interrupt will be generated if the set condition for bit T13CM in register IS occurs. The interrupt line that will be activated is selected by bit field INPT13.</p>
ENT13PM	9	rw	<p>Enable Interrupt for T13 Period-Match</p> <p>0_B No interrupt will be generated if the set condition for bit T13PM in register IS occurs.</p> <p>1_B An interrupt will be generated if the set condition for bit T13PM in register IS occurs. The interrupt line that will be activated is selected by bit field INPT13.</p>
ENTRPF	10	rw	<p>Enable Interrupt for Trap Flag</p> <p>0_B No interrupt will be generated if the set condition for bit TRPF in register IS occurs.</p> <p>1_B An interrupt will be generated if the set condition for bit TRPF in register IS occurs. The interrupt line that will be activated is selected by bit field INPERR.</p>
Res	11	r	<p>Reserved</p> <p>Returns 0 if read; should be written with 0.</p>

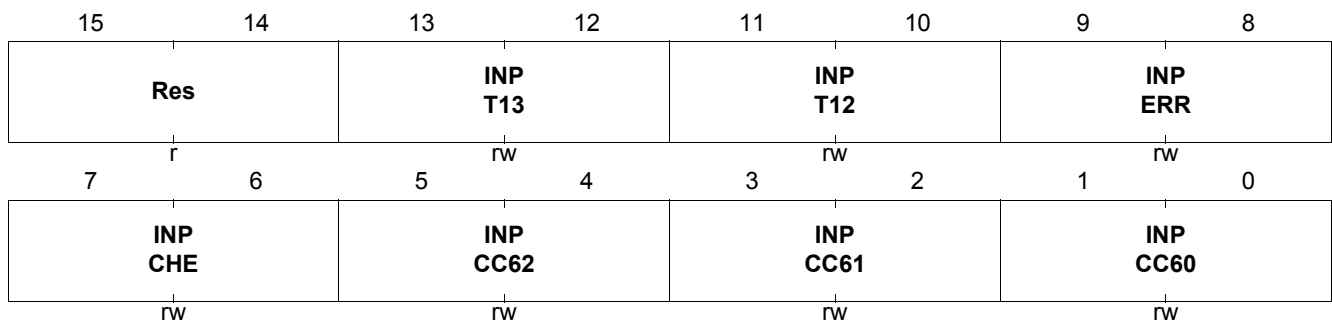
Field	Bits	Type	Description
ENCHE	12	rw	<p>Enable Interrupt for Correct Hall Event</p> <p>0_B No interrupt will be generated if the set condition for bit CHE in register IS occurs.</p> <p>1_B An interrupt will be generated if the set condition for bit CHE in register IS occurs. The interrupt line that will be activated is selected by bit field INPCHE.</p>
ENWHE	13	rw	<p>Enable Interrupt for Wrong Hall Event</p> <p>0_B No interrupt will be generated if the set condition for bit WHE in register IS occurs.</p> <p>1_B An interrupt will be generated if the set condition for bit WHE in register IS occurs. The interrupt line that will be activated is selected by bit field INPERR.</p>
ENIDLE	14	rw	<p>Enable Idle</p> <p>This bit enables the automatic entering of the idle state (bit IDLE will be set) after a wrong hall event has been detected (bit WHE is set). During the idle state, the bit field MCMP is automatically cleared.</p> <p>0_B The bit IDLE is not automatically set when a wrong hall event is detected.</p> <p>1_B The bit IDLE is automatically set when a wrong hall event is detected.</p>
ENSTR	15	rw	<p>Enable Multi-Channel Mode Shadow Transfer Interrupt</p> <p>0_B No interrupt will be generated if the set condition for bit STR in register IS occurs.</p> <p>1_B An interrupt will be generated if the set condition for bit STR in register IS occurs. The interrupt line that will be activated is selected by bit field INPCHE.</p>

Register INP contains the interrupt node pointers allowing a flexible interrupt handling. These bit fields define which service request output will be activated if the corresponding interrupt event occurs and the interrupt generation for this event is enabled.

INP

Capture/Compare Interrupt Node Pointer Register (48_H)

Reset Value: 3940_H



Field	Bits	Type	Description
INPCC60	1:0	rw	<p>Interrupt Node Pointer for Channel 0 Interrupts This bit field defines the interrupt output line, which is activated due to a set condition for bit CC60R (if enabled by bit ENCC60R) or for bit CC60F (if enabled by bit ENCC60F). 00_B Interrupt output line SR0 is selected. 01_B Interrupt output line SR1 is selected. 10_B Interrupt output line SR2 is selected. 11_B Interrupt output line SR3 is selected.</p>
INPCC61	3:2	rw	<p>Interrupt Node Pointer for Channel 1 Interrupts This bit field defines the interrupt output line, which is activated due to a set condition for bit CC61R (if enabled by bit ENCC61R) or for bit CC61F (if enabled by bit ENCC61F). 00_B Interrupt output line SR0 is selected. 01_B Interrupt output line SR1 is selected. 10_B Interrupt output line SR2 is selected. 11_B Interrupt output line SR3 is selected.</p>
INPCC62	5:4	rw	<p>Interrupt Node Pointer for Channel 2 Interrupts This bit field defines the interrupt output line, which is activated due to a set condition for bit CC62R (if enabled by bit ENCC62R) or for bit CC62F (if enabled by bit ENCC62F). 00_B Interrupt output line SR0 is selected. 01_B Interrupt output line SR1 is selected. 10_B Interrupt output line SR2 is selected. 11_B Interrupt output line SR3 is selected.</p>
INPCHE	7:6	rw	<p>Interrupt Node Pointer for the CHE Interrupt This bit field defines the interrupt output line, which is activated due to a set condition for bit CHE (if enabled by bit ENCHE) or for bit STR (if enabled by bit ENSTR). 00_B Interrupt output line SR0 is selected. 01_B Interrupt output line SR1 is selected. 10_B Interrupt output line SR2 is selected. 11_B Interrupt output line SR3 is selected.</p>

Field	Bits	Type	Description
INPERR	9:8	rw	<p>Interrupt Node Pointer for Error Interrupts</p> <p>This bit field defines the interrupt output line, which is activated due to a set condition for bit TRPF (if enabled by bit ENTRPF) or for bit WHE (if enabled by bit ENWHE).</p> <p>00_B Interrupt output line SR0 is selected. 01_B Interrupt output line SR1 is selected. 10_B Interrupt output line SR2 is selected. 11_B Interrupt output line SR3 is selected.</p>
INPT12	11:10	rw	<p>Interrupt Node Pointer for Timer T12 Interrupts</p> <p>This bit field defines the interrupt output line, which is activated due to a set condition for bit T12OM (if enabled by bit ENT12OM) or for bit T12PM (if enabled by bit ENT12PM).</p> <p>00_B Interrupt output line SR0 is selected. 01_B Interrupt output line SR1 is selected. 10_B Interrupt output line SR2 is selected. 11_B Interrupt output line SR3 is selected.</p>
INPT13	13:12	rw	<p>Interrupt Node Pointer for Timer T13 Interrupts</p> <p>This bit field defines the interrupt output line, which is activated due to a set condition for bit T13CM (if enabled by bit ENT13CM) or for bit T13PM (if enabled by bit ENT13PM).</p> <p>00_B Interrupt output line SR0 is selected. 01_B Interrupt output line SR1 is selected. 10_B Interrupt output line SR2 is selected. 11_B Interrupt output line SR3 is selected.</p>
Res	15:14	r	<p>Reserved</p> <p>Returns 0 if read; should be written with 0.</p>

18.11.8 Register Map

Table 115 shows the CCU6 module base addresses.

Table 116 lists the addresses of the CCU6 SFRs.

Table 115 Registers Address Space

Module	Base Address	End Address	Note
CCU6	4000C000 _H	4000FFFF _H	

Table 116 Registers Overview SSC

Register Short Name	Register Long Name	Offset Address	Page Number
CC63R	Capture/Compare Register for Channel CC63	00 _H	487
TCTR4	Timer Control Register 4	04 _H	498
MCMOUTS	Multi-Channel Mode Output Shadow Register	08 _H	505
ISR	Capture/Compare Interrupt Status Reset Register	0C _H	515
CMPMODIF	Compare State Modification Register	10 _H	491
CC60SR	Capture/Compare Shadow Register for Channel CC60SR	14 _H	484
CC61SR	Capture/Compare Shadow Register for Channel CC61SR	18 _H	484
CC62SR	Capture/Compare Shadow Register for Channel CC62SR	1C _H	484
CC63SR	Capture/Compare Shadow Register for Channel CC63	20 _H	488
T12PR	Timer T12 Period Register	24 _H	482
T13PR	Timer T13 Period Register	28 _H	487
T12DTC	Timer T12 Dead-Time Control Register	2C _H	485
TCTR0	Timer Control Register 0	30 _H	493
CC60R	Capture/Compare Register for Channel CC60R	34 _H	483
CC61R	Capture/Compare Register for Channel CC61R	38 _H	483
CC62R	Capture/Compare Register for Channel CC62R	3C _H	483
T12MSEL	Capture/Compare T12 Mode Select Register	40 _H	479
IEN	Capture/Compare Interrupt Enable Register	44 _H	517
INP	Capture/Compare Interrupt Node Pointer Register	48 _H	520
ISS	Capture/Compare Interrupt Status Set Register	4C _H	513
PSLR	Passive State Level Register	50 _H	504
MCMCTR	Multi-Channel Mode Control Register	54 _H	509
TCTR2	Timer Control Register 2	58 _H	496
MODCTR	Modulation Control Register	5C _H	500
TRPCTR	Trap Control Register	60 _H	502
MCMOUT	Multi-Channel Mode Output Register	64 _H	507
IS	Capture/Compare Interrupt Status Register	68 _H	511
PISEL0	Port Input Select Register 0	6C _H	475
PISEL2	Port Input Select Register 2	74 _H	477
T12	Timer T12 Counter Register	78 _H	481
T13	Timer T13 Counter Register	7C _H	486
CMPSTAT	Compare State Register	80 _H	489

19 UART1/UART2

19.1 Features

- Full-duplex asynchronous modes
 - 8-bit or 9-bit data frames, LSB first
 - fixed or variable baud rate
- Receive buffered
- Multiprocessor communication
- Interrupt generation on the completion of a data transmission or reception
- Baud-rate generator with fractional divider for generating a wide range of baud rates
- Hardware logic for break and synch byte detection

19.2 Introduction

The UART provides a full-duplex asynchronous receiver/transmitter, i.e., it can transmit and receive simultaneously. It is also receive-buffered, i.e., it can commence reception of a second byte before a previously received byte has been read from the receive register. However, if the first byte still has not been read by the time reception of the second byte is complete, one of the bytes will be lost. The serial port receive and transmit registers are both accessed at Special Function Register (SFR) SBUF. Writing to SBUF loads the transmit register, and reading SBUF accesses a physically separate receive register.

19.2.1 Block Diagram

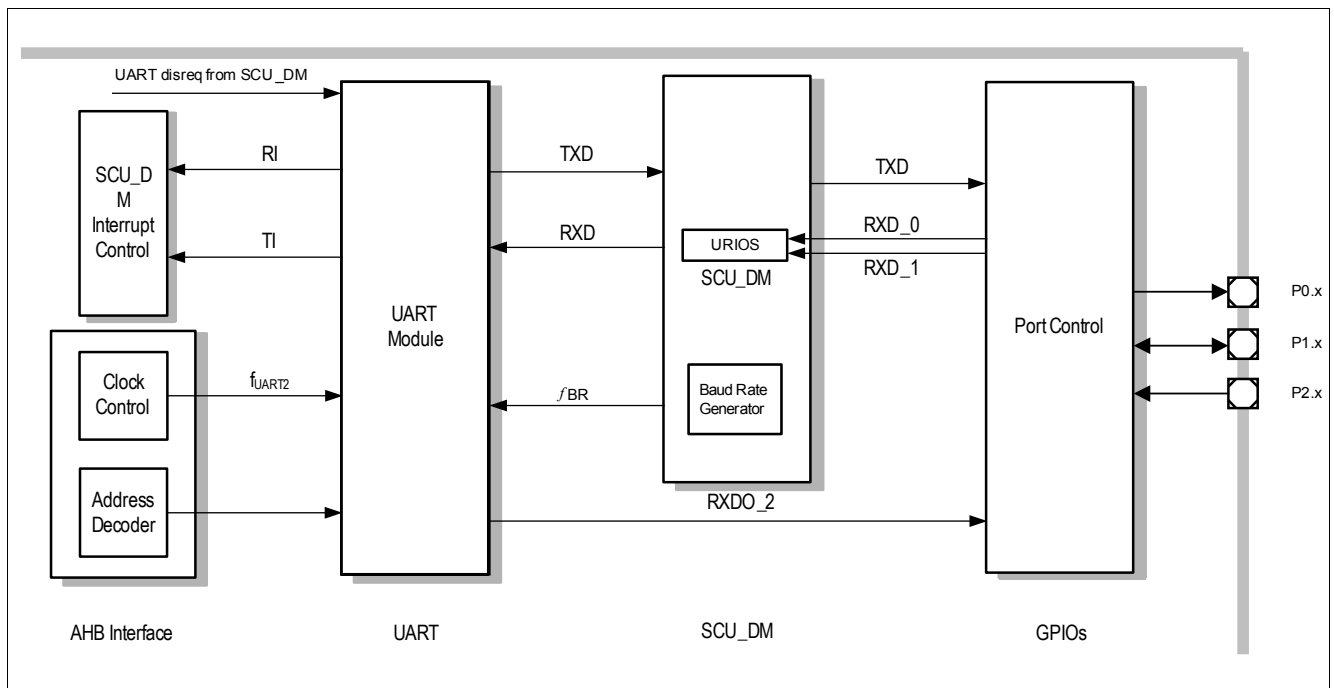


Figure 148 UART Block Diagram

19.3 UART Modes

The UART can be used in four different modes. In mode 0, it operates as an 8-bit shift register. In mode 1, it operates as an 8-bit serial port. In modes 2 and 3, it operates as a 9-bit serial port. The only difference between mode 2 and mode 3 is the baud rate, which is fixed in mode 2 but variable in mode 3. The variable baud rate is set by the underflow rate on the dedicated baud-rate generator.

The different modes are selected by setting bits SM0 and SM1 to their corresponding values, as shown in [Table 117](#).

Table 117 UART Modes

SM0	SM1	Operating Mode	Baud Rate
0	0	Mode 0: 8-bit shift register	$f_{PCLK}/2$
0	1	Mode 1: 8-bit shift UART	Variable
1	0	Mode 2: 9-bit shift UART	$f_{PCLK}/64$
1	1	Mode 3: 9-bit shift UART	Variable

The UART1 is connected to the integrated LIN transceiver, and to GPIO for test purpose. The UART2 is connected to GPIO only.

19.3.1 Mode 0, 8-Bit Shift Register, Fixed Baud Rate

In mode 0, the serial port behaves as an 8-bit shift register. Data is shifted in through RXD, and out through RXDO, while the TXD line is used to provide a shift clock which can be used by external devices to clock data in and out. The transmission cycle is activated by a write to SBUF. For the next seven machine cycles, the contents of the transmit shift register are shifted right one position and a zero shifted in from the left so that when the MSB of the data byte is at the output position, it has a 1 and a sequence of zeros to its left. The control block then executes one last shift before setting the TI bit.

Reception is started by the condition $REN = 1$ and $RI = 0$. At the start of the reception cycle, 11111110_B is written to the receive shift register. In each machine cycle that follows, the contents of the shift register are shifted left one position and the value sampled on the RXD line in the same machine cycle is shifted in from the right. When the 0 of the initial byte reaches the leftmost position, the control block executes one last shift, loads SBUF and sets the RI bit.

The baud rate for the transfer is fixed at $f_{PCLK}/2$ where f_{PCLK} is the input clock frequency, i.e. one bit per machine cycle.

19.3.2 Mode 1, 8-Bit UART, Variable Baud Rate

In mode 1, the UART behaves as an 8-bit serial port. A start bit (0), 8 data bits, and a stop bit (1) are transmitted on TXD or received on RXD at a variable baud rate.

The transmission cycle is activated by a write to SBUF. The data is transferred to the transmit shift register and a 1 is loaded to the 9th bit position (as in mode 0). At phase 1 of the machine cycle after the next rollover in the divide-by-16 counter, the start bit is copied to TXD, and data is activated one bit time later. One bit time after the data is activated, the data starts getting shifted right with zeros shifted in from the left. When the MSB gets to the output position, the control block executes one last shift and sets the TI bit.

Reception is started by a high to low transition on RXD (sampled at 16 times the baud rate). The divide-by-16 counter is then reset and $1111\ 1111_B$ is written to the receive register. If a valid start bit (0) is then detected (based on two out of three samples), it is shifted into the register followed by 8 data bits. If the transition is not followed by a valid start bit, the controller goes back to looking for a high to low transition on RXD. When the start bit reaches the leftmost position, the control block executes one last shift, then loads SBUF with the 8 data bits, loads RB8

(SCON.2) with the stop bit, and sets the RI bit, provided RI = 0, and either SM2 = 0 (see [Section 19.4](#)) or the received stop bit = 1. If none of these conditions is met, the received byte is lost.

The associated timings for transmit/receive in mode 1 are illustrated in [Figure 149](#).

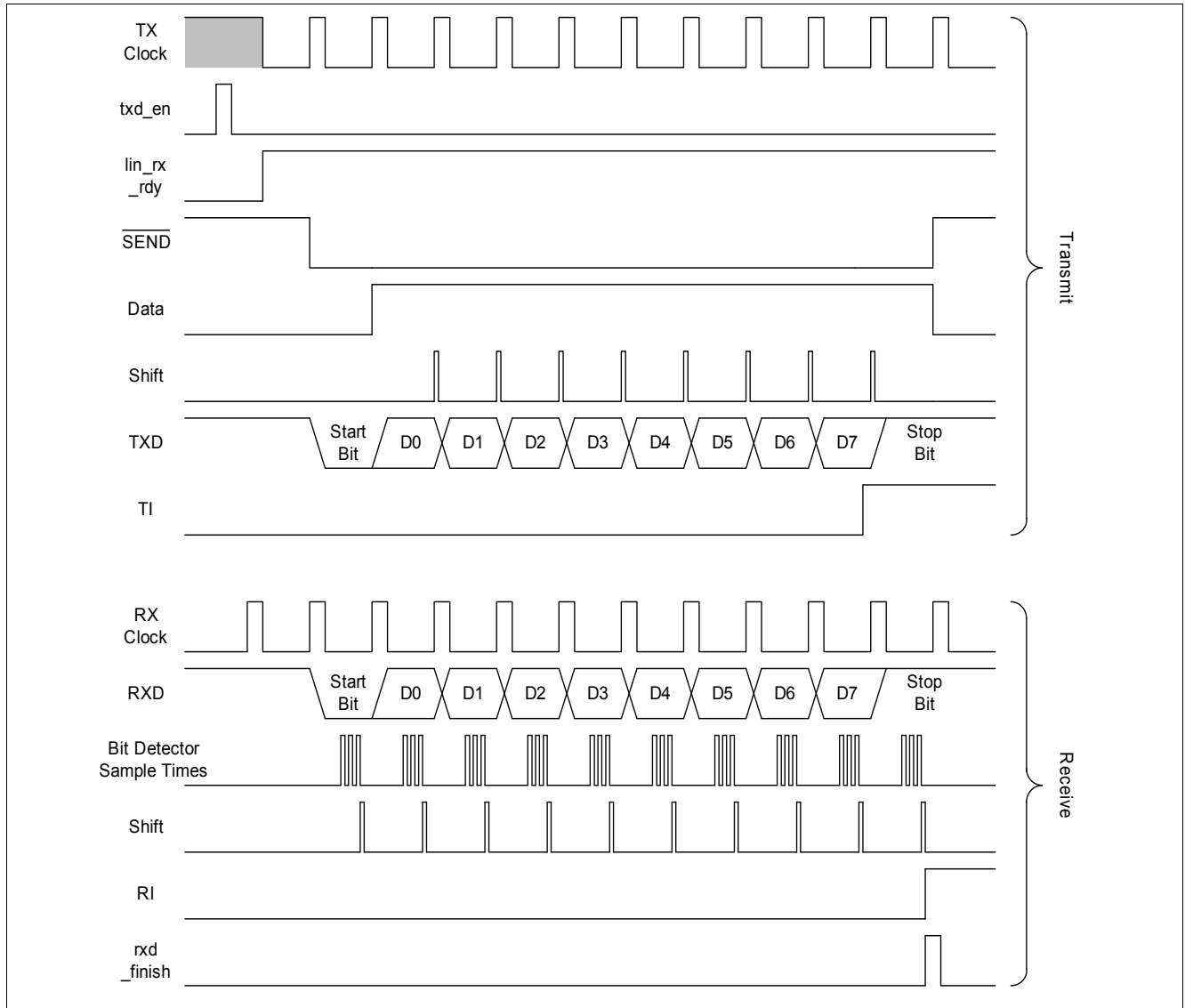


Figure 149 Serial Interface, Mode 1, Timing Diagram

19.3.3 Mode 2, 9-Bit UART, Fixed Baud Rate

In mode 2, the UART behaves as a 9-bit serial port. A start bit (0), 8 data bits plus a programmable 9th bit and a stop bit (1) are transmitted on TXD or received on RXD. The 9th bit for transmission is taken from TB8 (SCON.3) while for reception, the 9th bit received is placed in RB8 (SCON.2).

The transmission cycle is activated by a write to SBUF. The data is transferred to the transmit shift register and TB8 is copied into the 9th bit position. At phase 1 of the machine cycle following the next rollover in the divide-by-16 counter, the start bit is copied to TXD and data is activated one bit time later. One bit time after the data is activated, the data starts shifting right. For the first shift, a stop bit (1) is shifted in from the left and for subsequent shifts, zeros are shifted in. When the TB8 bit gets to the output position, the control block executes one last shift and sets the TI bit.

Reception is started by a high to low transition on RXD (sampled at 16 times the baud rate). The divide-by-16 counter is then reset and 1111 1111_B is written to the receive register. If a valid start bit (0) is then detected (based on two out of three samples), it is shifted into the register followed by 8 data bits. If the transition is not followed by a valid start bit, the controller goes back to looking for a high to low transition on RXD. When the start bit reaches the leftmost position, the control block executes one last shift, then loads SBUF with the 8 data bits, loads RB8 (SCON.2) with the 9th data bit, and sets the RI bit, provided RI = 0, and either SM2 = 0 (see [Section 19.4](#)) or the 9th bit = 1. If none of these conditions is met, the received byte is lost.

The baud rate for the transfer is fixed at $f_{PCLK}/64$.

19.3.4 Mode 3, 9-Bit UART, Variable Baud Rate

Mode 3 is the same as mode 2 in all respects except that the baud rate is variable.

In all modes, transmission is initiated by any instruction that uses SBUF as a destination register. Reception is initiated in the modes by the incoming start bit if REN = 1.

The serial interface also provides interrupt requests when transmission or reception of the frames has been completed. The corresponding interrupt request flags are TI or RI, respectively. If the serial interrupt is not used (i.e., serial interrupt not enabled), TI and RI can also be used for polling the serial interface.

The associated timings for transmit/receive in modes 2 and 3 are illustrated in [Figure 150](#).

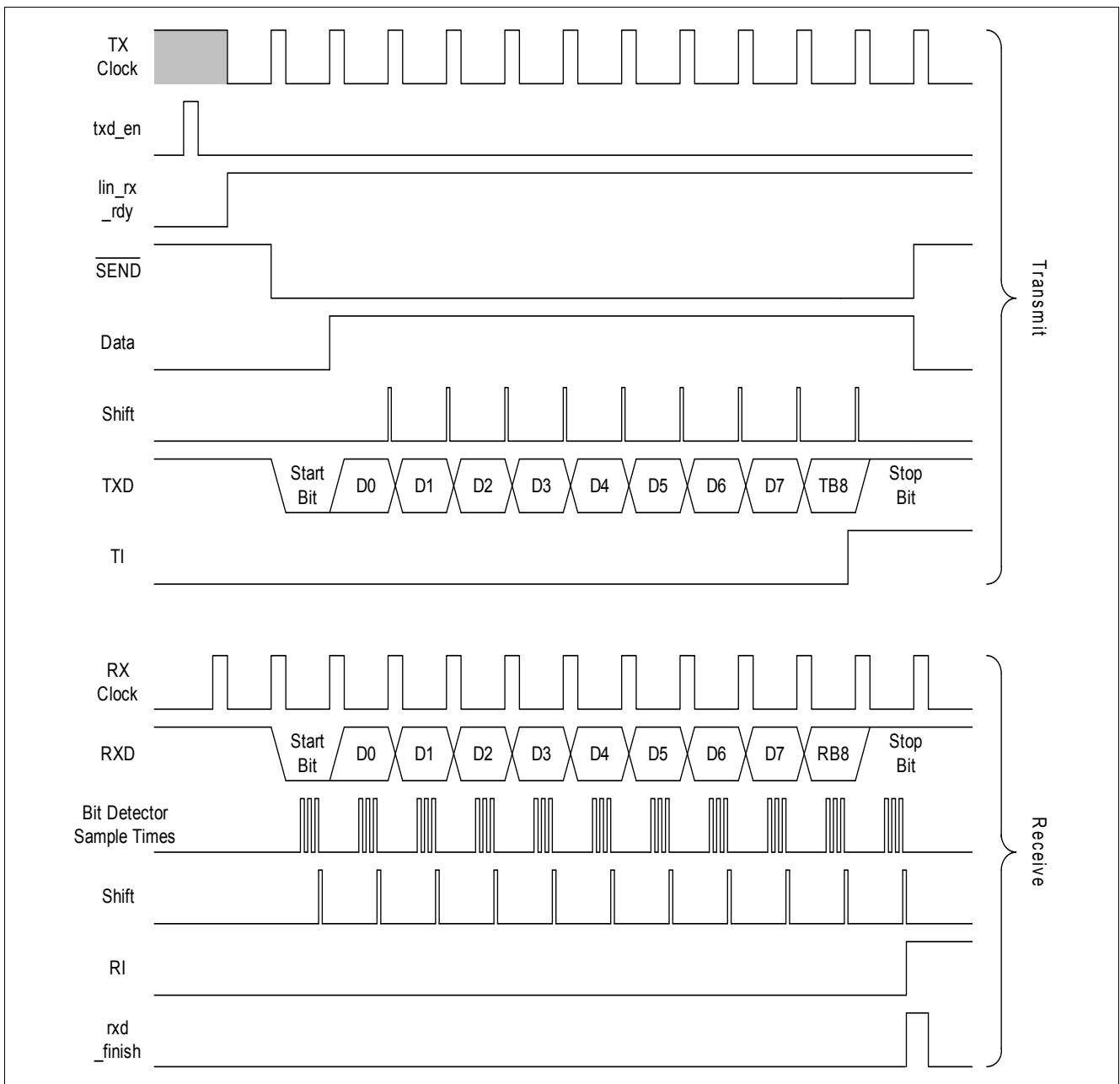


Figure 150 Serial Interface, Modes 2 and 3, Timing Diagram

19.4 Multiprocessor Communication

Modes 2 and 3 have a special provision for multiprocessor communication using a system of address bytes with bit 9 = 1 and data bytes with bit 9 = 0. In these modes, 9 data bits are received. The 9th data bit goes into RB8. The communication always ends with one stop bit. The port can be programmed such that when the stop bit is received, the serial port interrupt will be activated only if RB8 = 1.

This feature is enabled by setting bit SM2 in SCON. One of the ways to use this feature in multiprocessor systems is described in the following paragraph.

When the master processor wants to transmit a block of data to one of several slaves, it first sends out an address byte that identifies the target slave. An address byte differs from a data byte in that the 9th bit is 1 in an address byte and 0 in a data byte. With SM2 = 1, no slave will be interrupted by a data byte. An address byte, however, will interrupt all slaves, so that each slave can examine the received byte and see if it is being addressed. The addressed slave will clear its SM2 bit and prepare to receive the data bytes that will be coming. The slaves that were not being addressed retain their SM2s as set and ignore the incoming data bytes.

Bit SM2 has no effect in mode 0. SM2 can be used in mode 1 to check the validity of the stop bit. In a mode 1 reception, if SM2 = 1, the receive interrupt will not be activated unless a valid stop bit is received.

19.5 Baud Rate Generation

There are several ways to generate the baud rate clock for the serial port, depending on the mode in which they are operating.

The baud rates in modes 0 and 2 are fixed to $f_{PCLK}/2$ and $f_{PCLK}/64$ respectively, while the variable baud rate in modes 1 and 3 is generated based on the setting of the Baud-rate generator in SCU (see [Section 19.5.1](#)).

“Baud rate clock” and “baud rate” must be distinguished from each other. The serial interface requires a clock rate that is 16 times the baud rate for internal synchronization. Therefore, the UART baud-rate generator must provide a “baud rate clock” to the serial interface where it is divided by 16 to obtain the actual “baud rate”. The abbreviation f_{PCLK} refers to the input clock frequency.

19.5.1 Baud-rate Generator

The baud-rate generator in SCU is used to generate the variable baud rate for the UART in modes 1 and 3. It has programmable 11-bit reload value, 3-bit prescaler and 5-bit fractional divider.

The baud-rate generator is clocked derived via a prescaler (f_{DIV}) from the input clock f_{PCLK} . The baud rate timer counts downwards and can be started or stopped through the baud rate control run bit BCON.R. Each underflow of the timer provides one clock pulse to the serial channel. The timer is reloaded with the 11-bit BR_VALUE stored in its reload register BG each time it underflows. The duration between underflows depends on the ‘n’ value in the fractional divider, which can be selected by the bits BG.FD_SEL. ‘n’ times out of 32, the timer counts one cycle more than specified by BR_VALUE. The prescaler is selected by the bits BCON.BRPRE.

Register BG is the dual-function Baud-rate Generator/Reload register. Reading BG returns the contents of the timer, while writing to BG (low byte) always updates the reload register.

The BG should be written only when BCON.R is 0. An auto-reload of the timer with the contents of the reload register is performed one instruction cycle after the next time BCON.R is set. Any write to BG, while BCON.R is set, will be ignored.

The baud rate of the baud-rate generator depends on the following bits and register values:

- Input clock f_{PCLK}
- Value of bit field BCON.BRPRE.
- Value of bit field BG.FD_SEL
- Value of the 11-bit reload value BG.BR_VALUE

[Figure 151](#) shows a simplified block diagram of the baud rate generator.

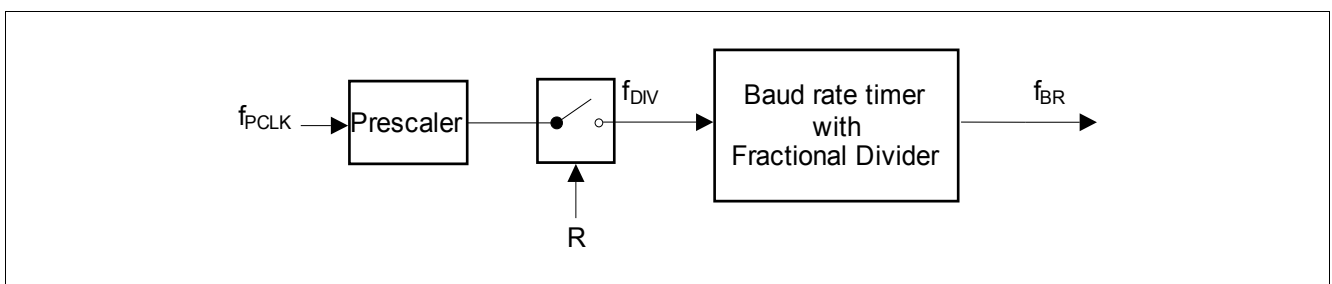


Figure 151 Simplified Baud Rate Generator Block Diagram

The following formula calculate the final baud rate.

(11)

$$\text{Baud rate} = \frac{f_{PCLK}}{16 \times \text{PRE} \times \left(\text{BR_VALUE} + \frac{n}{32} \right)}$$

The value of PRE (prescaler) is chosen by the bit field BCON.BRPRE. BR_VALUE represents the contents of the reload value, taken as unsigned 11-bit integer from the bit field BG.BR_VALUE. n/32 is defined by the fractional divider selection in bit field BG.FDSEL.

The maximum baud rate that can be generated is limited to $f_{PCLK}/32$. Hence, for a module clock of 24 MHz, the maximum achievable baud rate is 1.25 MBaud and 0.75 MBaud respectively.

Table 118 lists various commonly used baud rates together with their corresponding parameter settings and the deviation errors compared to the intended baud rate.

Table 118 Typical Baud Rates of UART ($f_{PCLK} = 24$ MHz)

Baud rate ($f_{PCLK} = 24$ MHz)	PRE	Reload Value (BR_VALUE)	Fractional Divider Selection (FD_NUM)	BG Register ¹⁾	Deviation Error
115.2 kBaud	1 (BRPRE = 000)	13 (0D _H)	1 (01 _H)	01A1 _H	-0.08%
20 kBaud	1 (BRPRE = 000)	75 (4B _H)	0 (00 _H)	0960 _H	+0.00%
19.2 kBaud	1 (BRPRE = 000)	78 (4E _H)	4 (04 _H)	09C4 _H	+0.00%
9600 Baud	2 (BRPRE = 001)	78 (4E _H)	4 (04 _H)	09C4 _H	+0.00%
4800 Baud	4 (BRPRE = 010)	78 (4E _H)	4 (04 _H)	09C4 _H	+0.00%
2400 Baud	8 (BRPRE = 011)	78 (4E _H)	4 (04 _H)	09C4 _H	+0.00%

1) The value of the 16-bit BG register is obtained by concatenation the 11-bit BRVALUE and 5-bit FD_NUM into a 16-bit value.

19.6 LIN Support in UART

The UART module can be used to support the Local Interconnect Network (LIN) protocol for both master and slave operations. The LIN baud rate detection feature, which consists of the hardware logic for Break and Synch Byte detection, provides the capability to detect the baud rate within LIN protocol using Timer 2. This allows the UART module to be synchronized to the LIN baud rate for data transmission and reception.

19.6.1 LIN Protocol

LIN is a holistic communication concept for local interconnected networks in vehicles. The communication is based on the SCI (UART) data format, a single-master/multiple-slave concept, a clock synchronization for nodes without stabilized time base. An attractive feature of LIN is self-synchronization of the slave nodes without a crystal or ceramic resonator, which significantly reduces the cost of hardware platform. Hence, the baud rate must be calculated and returned with every message frame.

The structure of a LIN frame is shown in [Figure 152](#). The frame consists of the:

- header, which comprises a Break (13-bit time low), Synch Byte (55_H), and ID field
- response time
- data bytes (according to UART protocol)
- checksum

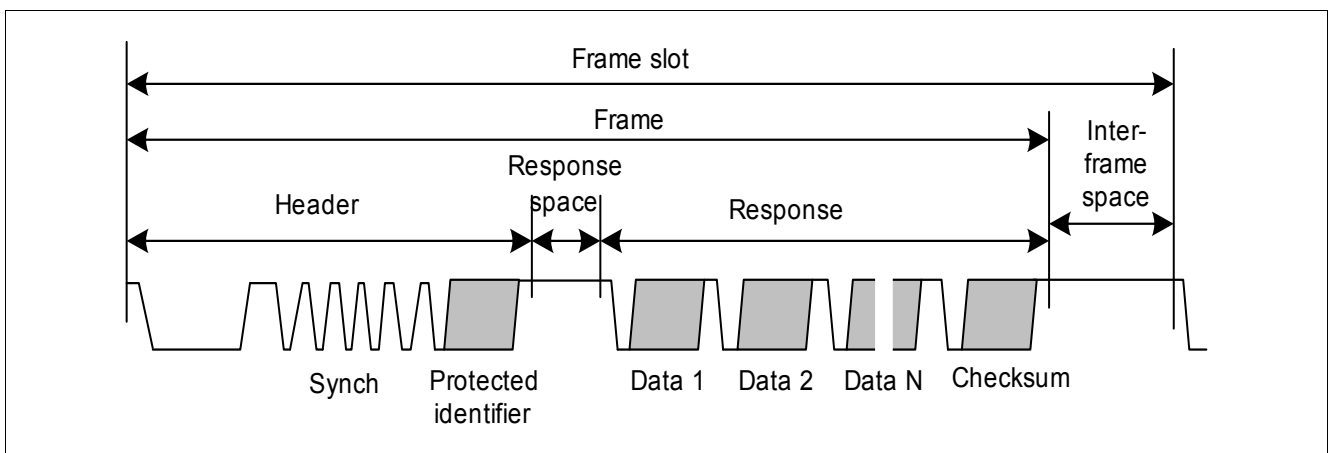


Figure 152 The Structure of LIN Frame

Each byte field is transmitted as a serial byte, as shown in [Figure 153](#). The LSB of the data is sent first and the MSB is sent last. The start bit is encoded as a bit with value zero (dominant) and the stop bit is encoded as a bit with value one (recessive).

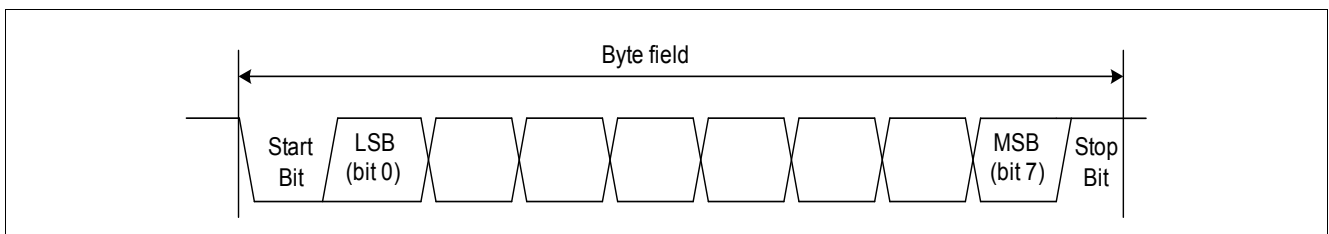


Figure 153 The Structure of Byte Field

The break is used to signal the beginning of a new frame. It is the only field that does not comply with [Figure 153](#). A break is always generated by the master task (in the master mode) and it must be at least 13 bits of dominant value, including the start bit, followed by a break delimiter, as shown in [Figure 154](#). The break delimiter will be at least one nominal bit time long.

A slave node will use a break detection threshold of 11 nominal bit times.

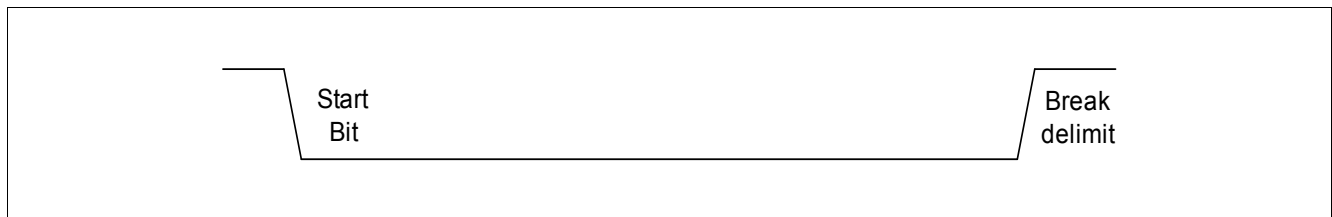


Figure 154 The Break Field

Synch Byte is a specific pattern for determination of time base. The byte field is with the data value 55_H, as shown in [Figure 155](#).

A slave task is always able to detect the Break/Synch sequence, even if it expects a byte field (assuming the byte fields are separated from each other). If this happens, detection of the Break/Synch sequence will abort the transfer in progress and processing of the new frame will commence.

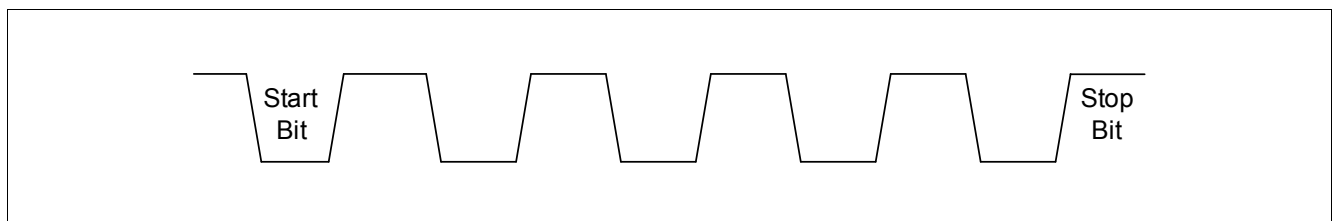


Figure 155 The Synch Byte Field

The slave task will receive and transmit data when an appropriate ID is sent by the master:

1. Slave waits for Synch Break
2. Slave synchronizes on Synch Byte
3. Slave snoops for ID
4. According to ID, slave determines whether to receive or transmit data, or do nothing
5. When transmitting, the slave sends 2, 4 or 8 data bytes, followed by check byte

19.6.2 LIN Header Transmission

LIN header transmission is only applicable in master mode. In the LIN communication, a master task decides when and which frame is to be transferred on the bus. It also identifies a slave task to provide the data transported by each frame. The information needed for the handshaking between the master and slave tasks is provided by the master task through the header portion of the frame.

The header consists of a break and synch pattern followed by an identifier. Among these three fields, only the break pattern cannot be transmitted as a normal 8-bit UART data. The break must contain a dominant value of 13 bits or more to ensure proper synchronization of slave nodes.

In the LIN communication, a slave task is required to be synchronized at the beginning of the protected identifier field of frame. For this purpose, every frame starts with a sequence consisting of a break field followed by a synch byte field. This sequence is unique and provides enough information for any slave task to detect the beginning of a new frame and be synchronized at the start of the identifier field.

19.6.2.1 Automatic Synchronization to the Host

Upon entering LIN communication, a connection is established and the transfer speed (baud rate) of the serial communication partner (host) is automatically synchronized in the following steps that are to be included in user software:

- STEP 1: Initialize interface for reception and timer for baud rate measurement
- STEP 2: Wait for an incoming LIN frame from host
- STEP 3: Synchronize the baud rate to the host

STEP 4: Enter for Master Request Frame or for Slave Response Frame

The next sections, [Section 19.6.2.2](#), [Section 19.6.2.3](#) and [Section 19.6.2.4](#) provide some hints on setting up the microcontroller for baud rate detection of LIN.

Note: Re-synchronization and setup of baud rate are always done for every Master Request Header or Slave Response Header LIN frame.

19.6.2.2 Initialization of Break/Synch Field Detection Logic

The LIN baud rate detection feature provides the capability to detect the baud rate within the LIN protocol using Timer 2. Initialization consists of:

- Serial port of the microcontroller set to Mode 1 (8-bit UART, variable baud rate) for communication.
- Provide the baud rate range via bit field BCON.BGSEL.
- Toggle BCON.BRDIS bit (set the bit to 1 before clearing it back to 0) to initialize the Break/Synch detection logic.
- Clear all status flags LINST.BRK, LINST.EOFSTX and LINST.ERRSTX to 0.
- Timer 2 is set to capture mode with falling edge trigger at pin T2EX. Bit T2MOD.EDGESEL is set to 0 by default and bit T2CON.CP/RL2 is set to 1.
- Timer 2 external events are enabled. T2CON.EXEN2 is set to 1. (EXF2 flag is set when a negative transition occurs at pin T2EX)
- FT2 can be configured by bit field T2MOD.T2PRE.

19.6.2.3 Baud Rate Range Selection

The Synch Break and Synch Byte detection logic supports a maximum number of bits in the Break field as defined by [Equation \(12\)](#).

(12)

$$\text{Maximum number of bits} = \text{Baud Rate} \times \frac{4095}{\text{Sample Frequency}}$$

The sample frequency is given by [Equation \(13\)](#).

(13)

$$\text{Sample Frequency} = \frac{f_{PCLK}}{8 \times 2^{BGSEL}}$$

If the maximum number of bits in the Break field is exceeded, the internal counter will overflow, which results in a baudrate detection error. Therefore, an appropriate BGSEL value has to be selected for the required baudrate detection range.

The baud rate range defined by different BGSEL settings is shown in [Table 119](#). The BGSEL settings and baudrate ranges are valid for a synch break field of 13 bits.

Table 119 BGSEL Bit Field Definition for Different Input Frequencies

f_{PCLK}	BGSEL	Baud Rate Select for Detection $f_{pclk}/(2184 \cdot 2^{BGSEL})$ to $f_{pclk}/(72 \cdot 2^{BGSEL})$
24 MHz	00 _B	11 kHz to 333.3 kHz
	01 _B	5.5 kHz to 166.7 kHz
	10 _B	2.8 kHz to 83.3 kHz
	11 _B	1.4 kHz to 41.7 kHz

Each BGSEL setting supports a range of baud rate for Synch Break and Synch Byte detection. If the baud rate used is outside the defined range, the Synch Break and Synch Byte may not be detected correctly. In order to determine the right BGSEL range the following equation helps selecting the right range:

$n = f_{\text{sys}} / \text{Master_BaudRate}$
 if $n > 576$ then BGSEL = 3
 if $n > 288$ then BGSEL = 2
 if $n > 144$ then BGSEL = 1
 if $n > 72$ then BGSEL = 0

For any value n smaller than 72 a proper Synch Break and Synch Byte detection may not be given.

Since a given BGSEL value defines a certain master baudrate range, alternatively the recognized synch break length can be considered for given master baudrates. The [Table 120](#) lists the recognized synch break length in master baudrate bit times depending on the system frequency, the BGSEL setting and the master baudrate. The table lists nominal values, clock tolerances are not taken into account. Furthermore these values are only for user guidance, proper evaluation in the user application should still be considered.

Table 120 Recognized Synch Break Length in bit times for a given system frequency, BGSEL selection and master baudrate

f_{PCLK}	BGSEL	9600 baud [bits]	10400 baud [bits]	19200 baud [bits]
20 MHz	00 _B	11..15	11..16	11..30
	01 _B	11..31	11..34	11..62
	10 _B	11..62	11..68	11..125
	11 _B	11..125	11..135	11..250

19.6.2.4 LIN Baud Rate Detection

This chapter gives an example on how the hardware features can be used to detect a Synch Break and how to measure the LIN master baud rate.

The baud rate detection for LIN is shown in [Figure 156](#).

The Header LIN frame consists of the:

- Synch Break (13 bit times low or higher)
- Synch Byte (55_H)
- Protected ID field

where only the Synch Break and Synch Byte is of interest for the baud rate detection. The LIN header is not even displayed in [Figure 156](#).

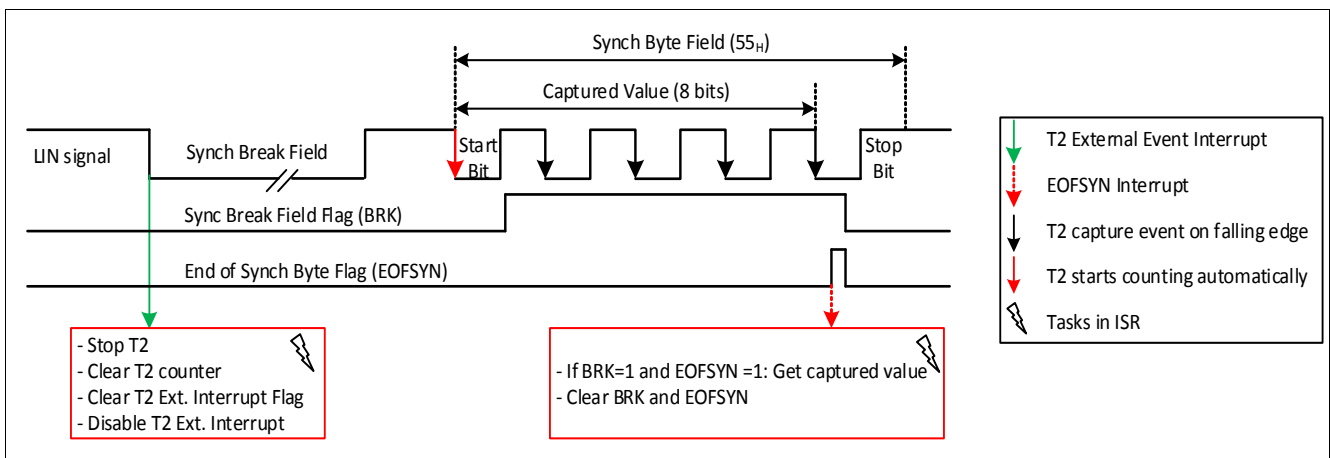


Figure 156 LIN Auto Baud Rate Detection

The Timer2 ([Chapter 16](#)) is used to measure the baud rate of the LIN master. For this purpose the Timer2 should be configured to operate in capture mode. Timer2 should start on a falling edge on the T2EX signal, which is by default connected to the internal LIN transceiver. Furthermore the Timer2 should be configured to capture T2EX on the falling edge as well. The `LINST.BGSEL` should be set to a value which covers the expected baud rate of the LIN master to be able to recognize the Synch Break. [Table 119](#) gives possible values for $f_{SYS} = 24\text{MHz}$. For any other system frequencies the correct `LINST.BGSEL` values has to be calculated according to the formula given along with the table. E.g. for $f_{SYS} = 20\text{MHz}$ a value of `LINST.BGSEL = 1` would be a good choice.

Timer2 starts with the falling edge on LIN line at the beginning of the Synch Break and triggers an interrupt. Inside this ISR the Timer2 should be stopped by the user and the Timer2 counter values has to be reset, because at this time the Timer2 value is not of interest, the main purpose of this ISR is to reset and arm the Timer2 again. To avoid any undesired interrupts during the following Synch Byte the Timer2 external interrupt should be disabled. The Timer2 is now ready to start again on the next falling edge of the LIN line, with the start bit of the Synch Byte Field. The Timer2 now captures the current count value in its capture register on every falling edge of the LIN signal (Synch Byte). On every falling edge the previous captured timer value will be overwritten.

The `LINST.BRK` signals a valid Synch Break Field, means the Synch Break Field was at least 11 times longer than the first bit of the Synch Byte. The signal `LINST.EOFSYN` gets set once a valid Synch Byte was received. The `LINST.EOFSYN` can be used to trigger an interrupt in which the `LINST.BRK` should be checked and along with `LINST.EOFSYN` these flags should be cleared (`LINCLR`). Inside this `EOFSYS` interrupt service routine the user reads the Timer2 capture value which reflects the Timer2 count value at the 8th bit of the Synch Byte. The Timer2 capture value can now be used to calculate the master baud rate and program the UART1 accordingly.

If the Synch Byte was not received properly then the signal `LINST.ERRSYN` gets set instead of `LINST.EOFSYN`. Also the signal `LINST.ERRSYN` can issue an interrupt which could be used to clear the flags and implement an error handling.

Latest at the end of the LIN frame or with the reception of the LINST.ERRSYN signal, the Timer2 external interrupt should be enabled again to be able to trigger on the next falling edge of the Synch Break.

19.7 Module Interfaces

An overview of the UART I/O interface is shown in **Figure 157** (UART1) and **Figure 158** (UART2).

In mode 0 (the serial port behaves as shift register), data is shifted in through RXD and out through RXDO, while the TXD line is used to provide a shift clock which can be used by external devices to clock data in and out. In modes 1, 2 and 3, the port behaves as an UART. Data is transmitted on TXD and received on RXD.

UART1:

As RXDO is not connected to I/O for UART1, mode 0 is not supported on UART1.

Data that is shifted into and out of the UART through RXD and TXD respectively.

RXD from UART1 can be selected from different sources (LIN or RXD1). This selection is performed within the SCU via SFR bit MODPISEL.URIOS1.

RXD and TXD from UART1 are connected to LIN can be monitored via RXD1 and TXD1 outputs on GPIO (by enabling the alternate outputs), UART1 in LIN mode or LIN monitoring mode.

In addition, UART1 transmission can be disconnected from LIN and provided via input port TXD1 (selected via MODPISEL.U_TX_CONDIS), UART1 not used.

If UART1 is used as UART, RXD1 is input and TXD1 is output.

UART2:

RXD and TXD from UART2 can be selected from different sources. This selection is performed by the SCU via SFR bit MODPISEL3.URIOS2.

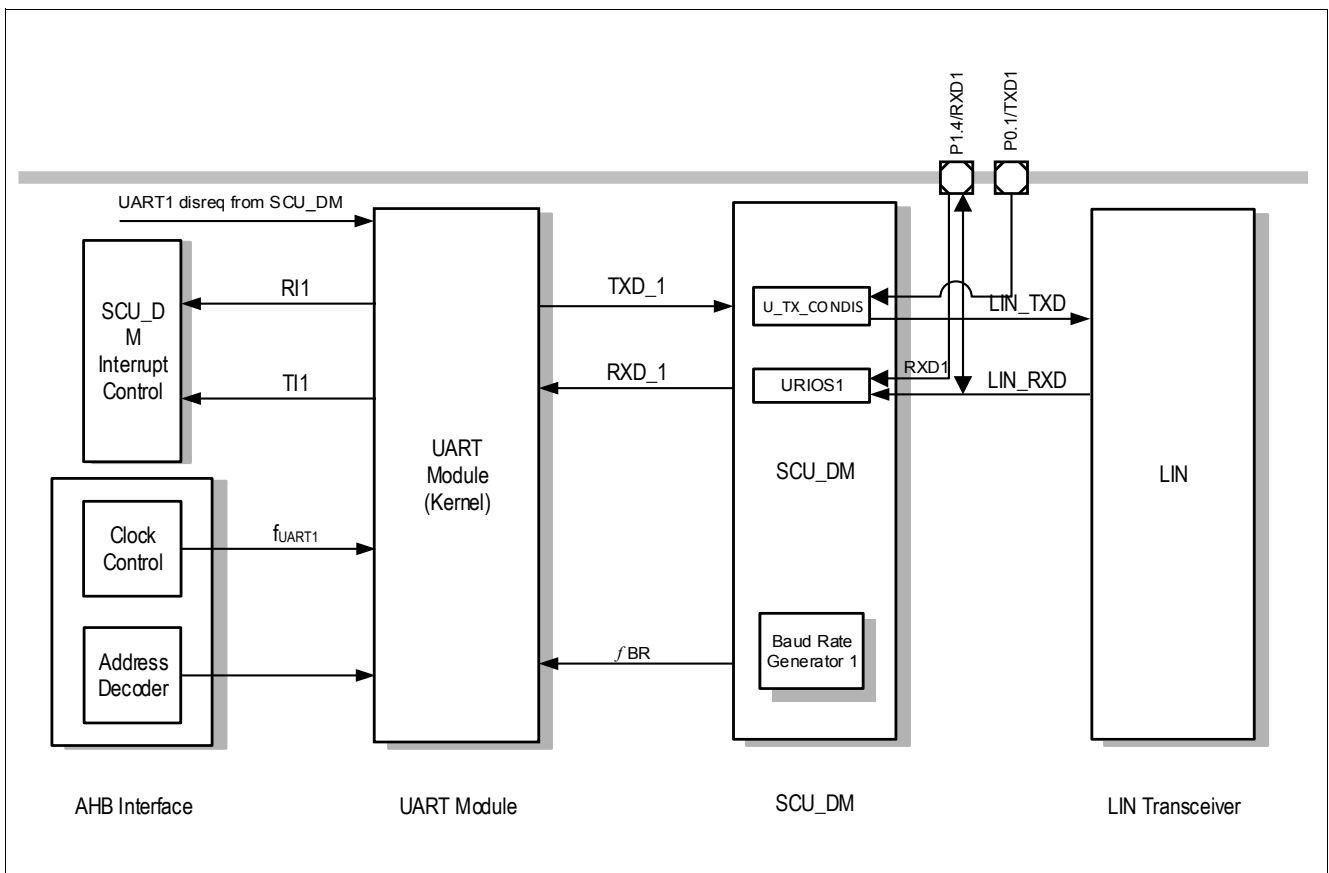


Figure 157 UART1 Module I/O Interface

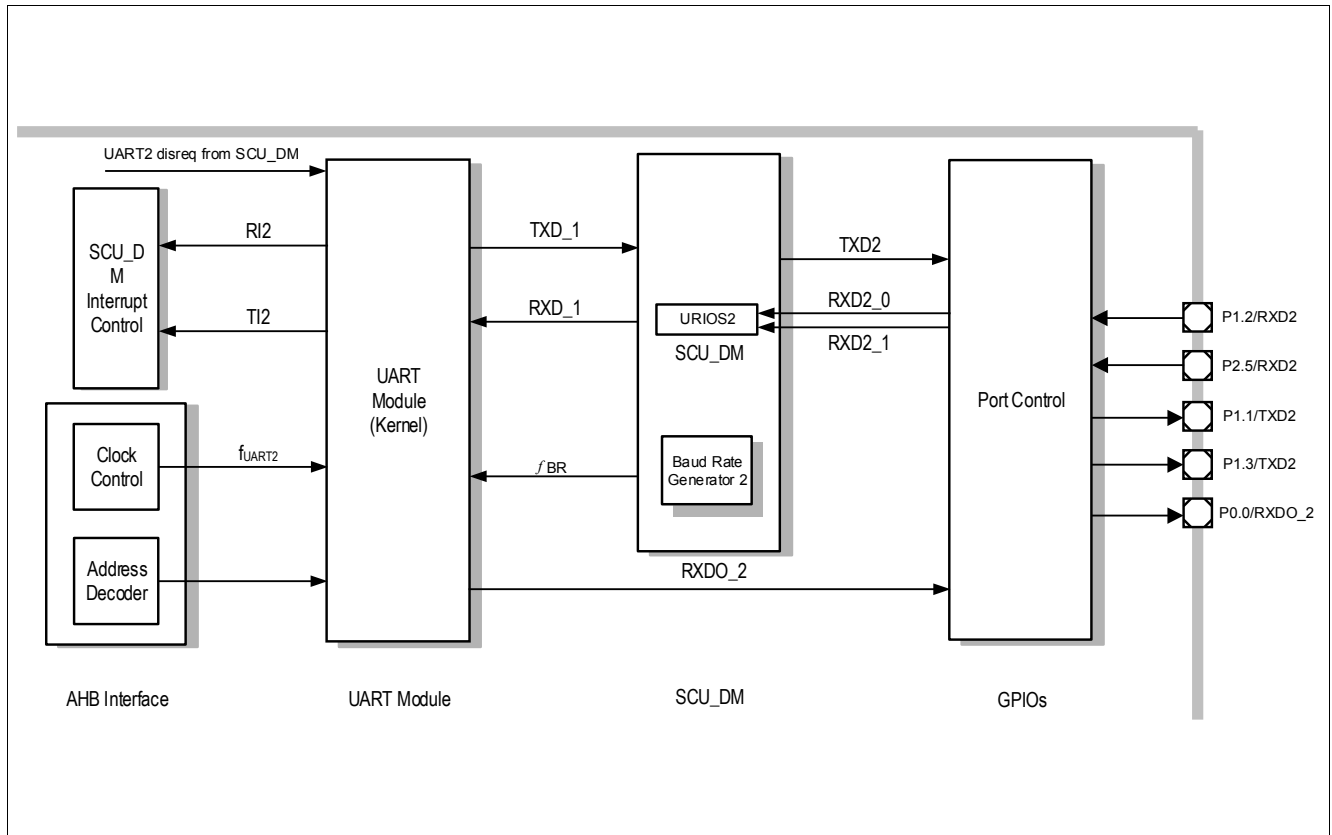


Figure 158 UART2 Module I/O Interface

19.8 Interrupts

The two UART interrupts can be separately enabled or disabled by setting or clearing their corresponding enable bits in SCU SFR MODIEN. An overview of the UART interrupt sources is shown in [Table 121](#) and [Table 122](#).

Table 121 UART1 Interrupt Sources

Interrupt	Flag	Interrupt Enable Bit
Reception completed	SCON.RI	SCU_MODIEN1.RIEN
Transmission completed	SCON.TI	SCU_MODIEN1.TIEN

Table 122 UART2 Interrupt Sources

Interrupt	Flag	Interrupt Enable Bit
Reception completed	SCON.RI	SCU_MODIEN2.RIEN
Transmission completed	SCON.TI	SCU_MODIEN2.TIEN

19.9 Register Definition

19.9.1 UART Registers

19.9.1.1 UART Control Registers

UART contains the two Special Function Registers (SFRs), SCON and SBUF. SCON is the control register and SBUF is the data register. On reset, both SCON and SBUF return 00_H. The serial port control and status register is the SFR SCON. This register contains not only the mode selection bits, but also the 9th data bit for transmit and receive (TB8 and RB8) and the serial port interrupt bits (TI and RI).

SBUF is the receive and transmit buffer of the serial interface. Writing to SBUF loads the transmit register and initiates transmission. This register is used for both transmit and receive data. Transmit data is written to this location and receive data is read from this location, but the two paths are independent.

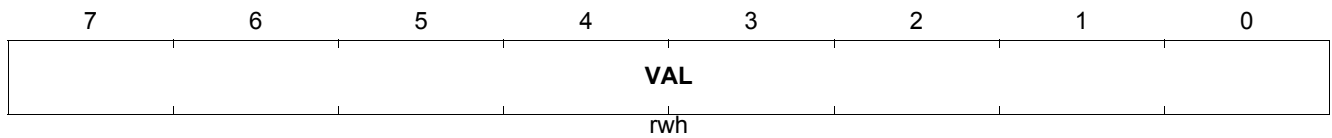
Reading out SBUF accesses a physically separate receive register.

SBUF

Serial Data Buffer

(04_H)

Reset Value: 00_H



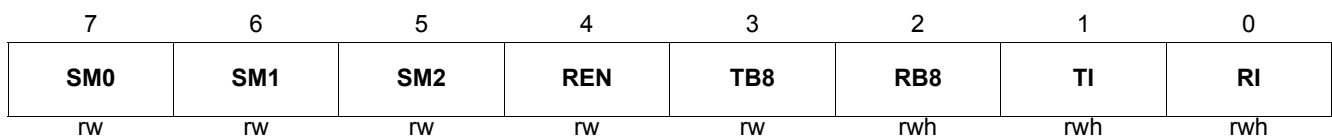
Field	Bits	Type	Description
VAL	[7:0]	rwh	Serial Interface Buffer Register

SCON

Serial Channel Control Register

(00_H)

Reset Value: 00_H



Field	Bits	Type	Description
RI	0	rwh	Receive Interrupt Flag This is set by hardware at the end of the 8th bit on mode 0, or at the half point of the stop bit in modes 1, 2, and 3. Flag can be set by software by writing 1 to RI Flag must be cleared by software in SCONCLR.RICLR.
TI	1	rwh	Transmit Interrupt Flag This is set by hardware at the end of the 8th bit in mode 0, or at the beginning of the stop bit in modes 1, 2, and 3. Flag can be set by software by writing 1 to TI Flag must be cleared by software in SCONCLR.TICLR.
RB8	2	rwh	Serial Port Receiver Bit 9 In modes 2 and 3, this is the 9th data bit received. In mode 1, this is the stop bit received. In mode 0, this bit is not used.
TB8	3	rw	Serial Port Transmitter Bit 9 In modes 2 and 3, this is the 9th data bit sent.
REN	4	rw	Enable Receiver of Serial Port 0 _B Serial reception is disabled. 1 _B Serial reception is enabled.
SM2	5	rw	Enable Serial Port Multiprocessor Communication in Modes 2 and 3 In mode 2 or 3, if SM2 is set to 1, RI will not be activated if the received 9th data bit (RB8) is 0. In mode 1, if SM2 is set to 1, RI will not be activated if a valid stop bit (RB8) was not received. In mode 0, SM2 should be 0.

Field	Bits	Type	Description
SM1, SM0	6, 7	rw	Serial Port Operating Mode Selection 00 _B Mode 0: 8-bit shift register, fixed baud rate ($f_{PCLK}/2$). 01 _B Mode 1: 8-bit UART, variable baud rate. 10 _B Mode 2: 9-bit UART, fixed baud rate ($f_{PCLK}/64$ or $f_{PCLK}/32$). 11 _B Mode 3: 9-bit UART, variable baud rate.

19.9.1.2 Baud-Rate Generator Control and Status Registers

BCON1

Baud Rate Control Register 1

(88_H)

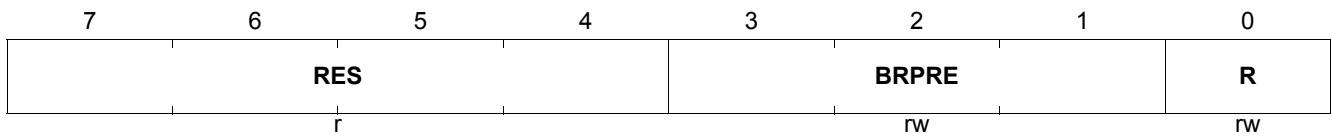
Reset Value: 00_H

BCON2

Baud Rate Control Register 2

(98_H)

Reset Value: 00_H



Field	Bits	Type	Description
R	0	rw	<p>Baud Rate Generator Run Control Bit</p> <p>0_B Baud-rate generator disabled. 1_B Baud-rate generator enabled.</p> <p><i>Note: BR_VALUE should only be written if R = 0.</i></p>
BRPRE	[3:1]	rw	<p>Prescaler Bit</p> <p>Selects the input clock for f_{DIV} which is derived from the peripheral clock.</p> <p>000_B $f_{DIV} = f_{PCLK}$ 001_B $f_{DIV} = f_{PCLK}/2$ 010_B $f_{DIV} = f_{PCLK}/4$ 011_B $f_{DIV} = f_{PCLK}/8$ 100_B $f_{DIV} = f_{PCLK}/16$ 101_B $f_{DIV} = f_{PCLK}/32$ Others: reserved</p>
RES	[7:4]	r	<p>Reserved</p> <p>Returns 0 if read; should be written with 0.</p>

LINST

LIN Status Register

(94_H)

Reset Value: 00_H

7	6	5	4	3	2	1	0
RES	SYNEN	ERRSYN	EOFSYN	BRK	BGSEL		BRDIS
r	rw	r	r	r	rw		rw

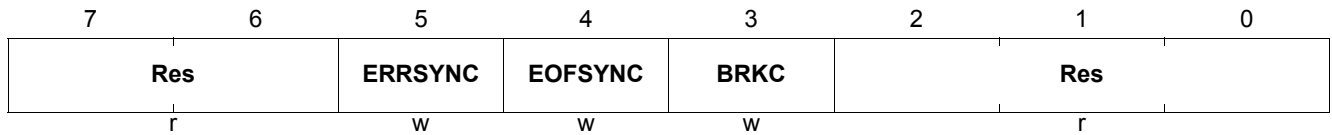
Field	Bits	Type	Description
BRDIS	0	rw	Baud Rate Detection Disable 0 _B Break/Synch detection is enabled. 1 _B Break/Synch detection is disabled.
BGSEL	[2:1]	rw	Baud Rate Select for Detection For different values of BGSEL, the baud rate range for detection is defined by the following formula: $f_{pclk}/(2184 \cdot 2^{BGSEL}) < \text{baud rate range} < f_{pclk}/(72 \cdot 2^{BGSEL})$ where BGSEL = 00 _B , 01 _B , 10 _B , 11 _B . See Table 2 for bit field BGSEL definition for different input frequencies.
BRK	3	r	Break Field Flag This bit is set by hardware and can only be cleared by software. 0 _B Break Field is not detected. 1 _B Break Field is detected.
EOFSYN	4	r	End of SYN Byte Interrupt Flag This bit is set by hardware and can only be cleared by software. 0 _B End of SYN Byte is not detected. 1 _B End of SYN Byte is detected.
ERRSYN	5	r	SYN Byte Error Interrupt Flag This bit is set by hardware and can only be cleared by software. 0 _B Error is not detected in SYN Byte. 1 _B Error is detected in SYN Byte.
SYNEN	6	rw	End of SYN Byte and SYN Byte Error Interrupts Enable 0 _B End of SYN Byte and SYN Byte Error Interrupts are not enabled. 1 _B End of SYN Byte and SYN Byte Error Interrupts are enabled.
RES	7	r	Reserved Returns 0 if read; should be written with 0.

LINSCLR

LIN Status Clear Register

(0A4_H)

Reset Value: 00_H



Field	Bits	Type	Description
Res	2:0	r	Reserved Returns 0 if read; should be written with 0.
BRKC	3	w	Break Field Flag Clear This bit is set by software and can only be cleared by hardware. 0 _B Break Field flag is not cleared. 1 _B Break Field is cleared.
EOFSYNC	4	w	End of SYN Byte Interrupt Flag Clear This bit is set by software and can only be cleared by hardware. 0 _B End of SYN Byte Interrupt Flag is not cleared. 1 _B End of SYN Byte is cleared.
ERRSYNC	5	w	SYN Byte Error Interrupt Flag This bit is set by software and can only be cleared by hardware. 0 _B Error in SYN Byte Error Interrupt Flag is not cleared. 1 _B Error in SYN Byte cleared.
Res	7:6	r	Reserved Returns 0 if read; should be written with 0.

19.9.1.3 Baud-Rate Generator Timer/Reload Registers

The low and high bytes of the baud rate timer/reload register BG contains the 11-bit reload value for the baud rate timer and the 5-bit fractional divider selection.

Reading the low byte of register BG returns the content of the lower three bits of the baud rate timer and the FD_SEL setting, while reading the high byte returns the content of the upper 8 bits of the baud rate timer.

Writing to register BG loads the baud rate timer with the reload and fractional divider values from the BG register, the first instruction cycle after BCON.R is set.

BG should only be written if R = 0.

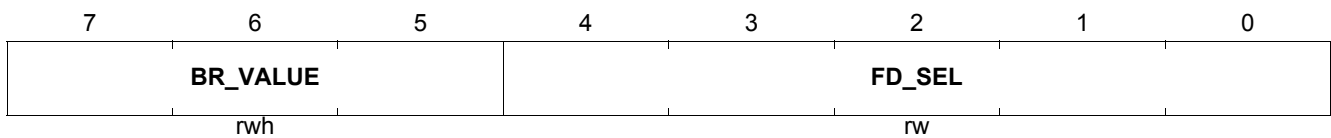
Note: The Baud-rate Generator Timer/Reload registers are located inside the SCU_DM module. For accessing them, the base address of the SCU_DM module has to be used.

BGL1

Baud Rate Timer/Reload Register 1, Low Byte (8C_H) **Reset Value: 00_H**

BGL2

Baud Rate Timer/Reload Register 2, Low Byte (9C_H) **Reset Value: 00_H**



Field	Bits	Type	Description
FD_SEL	[4:0]	rw	<p>Fractional Divider Selection</p> <p>Selects the fractional divider to be n/32, where n is the value of FD_SEL and is in the range of 0 to 31.</p> <p>For example, writing 0001_B to FD_SEL selects the fractional divider to be 1/32.</p> <p><i>Note: Fractional divider has no effect if BR_VALUE = 000_H.</i></p>
BR_VALUE	[7:5]	rwh	<p>Baud Rate Timer/Reload Value</p> <p>The lower three bits of the 11-bit Baud Rate Timer/Reload value. See description in BGH register.</p>

UART1/UART2

BGH1

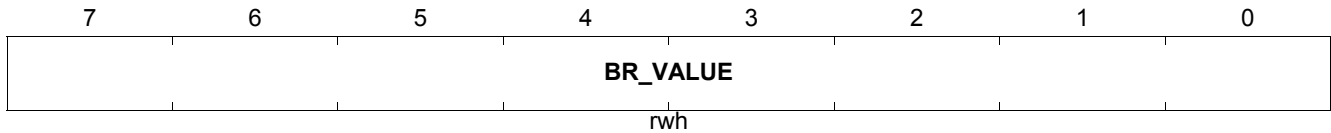
Baud Rate Timer/Reload Register 1, High Byte (90_H)

Reset Value: 00_H

BGH2

Baud Rate Timer/Reload Register 2, High Byte (A0_H)

Reset Value: 00_H



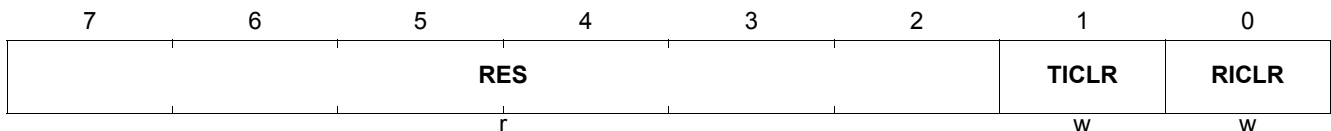
Field	Bits	Type	Description
BR_VALUE	[7:0]	rwh	<p>Baud Rate Timer/Reload Value The upper 8 bits of the 11-bit Baud Rate Timer/Reload value.</p> <p>The definition of the 11-bit reload value is as follows: 000_H Baud-rate timer is bypassed. 001_H 1 002_H 2 : : : : : : 7FE_H 2046 7FF_H 2047</p>

SCONCLR

SCON Clear Register

(08_H)

Reset Value: 00_H



Field	Bits	Type	Description
RES	[7:2]	r	<p>Reserved Returns 0 if read; should be written with 0.</p>
TICLR	1	w	<p>SCON.TI Clear Flag The definition of the clear flag is as follows: 0_H TI Flag is not cleared. 1_B TI Flag is cleared <i>Note: read to TICLR always return 0.</i></p>
RICLR	0	w	<p>SCON.RI Clear Flag The definition of the clear flag is as follows: 0_H RI Flag is not cleared. 1_B RI Flag is cleared <i>Note: read to RICLR always return 0.</i></p>

19.9.2 Register Map

There are two UART kernels in the TLE9868QXB20, namely UART1 and UART2. UART1 is dedicated for LIN transmission. UART2 is dedicated for external UART communication.

Table 124 lists the addresses of the UART SFRs. **Table 125** lists the addresses of the SCU SFRs dedicated for UART1/2 functionality.

Table 123 shows the UART module base addresses.

Table 123 Registers Address Space

Module	Base Address	End Address	Note
UART1	4802 0000 _H	4802 1FFF _H	
UART2	4802 2000 _H	4802 3FFF _H	
SCU	5000 5000 _H	5000 5FFF _H	

Table 124 Registers Overview UART

Register Short Name	Register Long Name	Offset Address	Page Number
SCON	Serial Channel Control Register	00 _H	540
SBUF	Serial Data Buffer	04 _H	540
SCONCLR	SCON Clear Register	08 _H	546

Table 125 Registers Overview SCU Module

Register Short Name	Register Long Name	Offset Address	Page Number
BCON1, dedicated for UART1	Baud Rate Control Register 1	88 _H	542
BGL1, dedicated for UART1	Baud Rate Timer/Reload Register 1, Low Byte	8C _H	545
BGH1 dedicated for UART1	Baud Rate Timer/Reload Register 1, High Byte	90 _H	546
LINST dedicated for UART1	LIN Status Register	94 _H	543
BCON2, dedicated for UART2	Baud Rate Control Register 2	98 _H	542
BGL2, dedicated for UART2	Baud Rate Timer/Reload Register 2, Low Byte	9C _H	545
BGH2, dedicated for UART2	Baud Rate Timer/Reload Register 2, High Byte	A0 _H	546

20 LIN Transceiver

20.1 Features

General Functional Features

- Compliant to LIN2.2 standard, backward compatible to LIN1.3, LIN2.0 and LIN 2.1
- Compliant to SAE J2602 (slew rate, receiver hysteresis)

Special Features

- Measurement of LIN master baudrate via Timer 2
- LIN can be used as input/output with SFR bits.
- TxD timeout feature (optional, on by default)

Operation Mode Features

- LIN Sleep Mode (LSLM)
- LIN Receive-Only Mode (LROM)
- LIN Normal Mode (LNM)
- High Voltage Input / Output Mode (LHVIO)

Supported Baud Rates

- Mode for a transmission up to 10.4 kBaud
- Mode for a transmission up to 20 kBaud
- Mode for a transmission up to 40 kBaud
- Mode for a transmission up to 115.2 kBaud

Slope Mode Features

- Normal Slope Mode (20 kbit/s)
- Low Slope Mode (10.4 kbit/s)
- Fast Slope Mode (62.5 kbit/s)
- Flash Mode (115.2 kbit/s, 250 kbit/s)

Wake-Up Features

- LIN bus wake-up

20.2 Introduction

The LIN Module is a transceiver for the Local Interconnect Network (LIN) compliant to the LIN2.2 standard, backward compatible to LIN1.3, LIN2.0 and LIN2.1. It operates as a bus driver between the protocol controller and the physical network. The LIN bus is a single wire, bi-directional bus typically used for in-vehicle networks, using baud rates between 2.4 kBaud and 20 kBaud. Additionally baud rates up to 115.2 kBaud are implemented.

The LIN Module offers several different operation modes, including a LIN Sleep Mode and the LIN Normal Mode. The integrated slope control allows to use several data transmission rates with optimized EMC performance. For data transfer at the end of line, a Flash Mode up to 115.2 kBaud is implemented. This Flash Mode can be used for data transfer under special conditions for up to 250 kbit/s (in production environment, point-to-point communication with reduced wire length and limited supply voltage).

20.2.1 Block Diagram

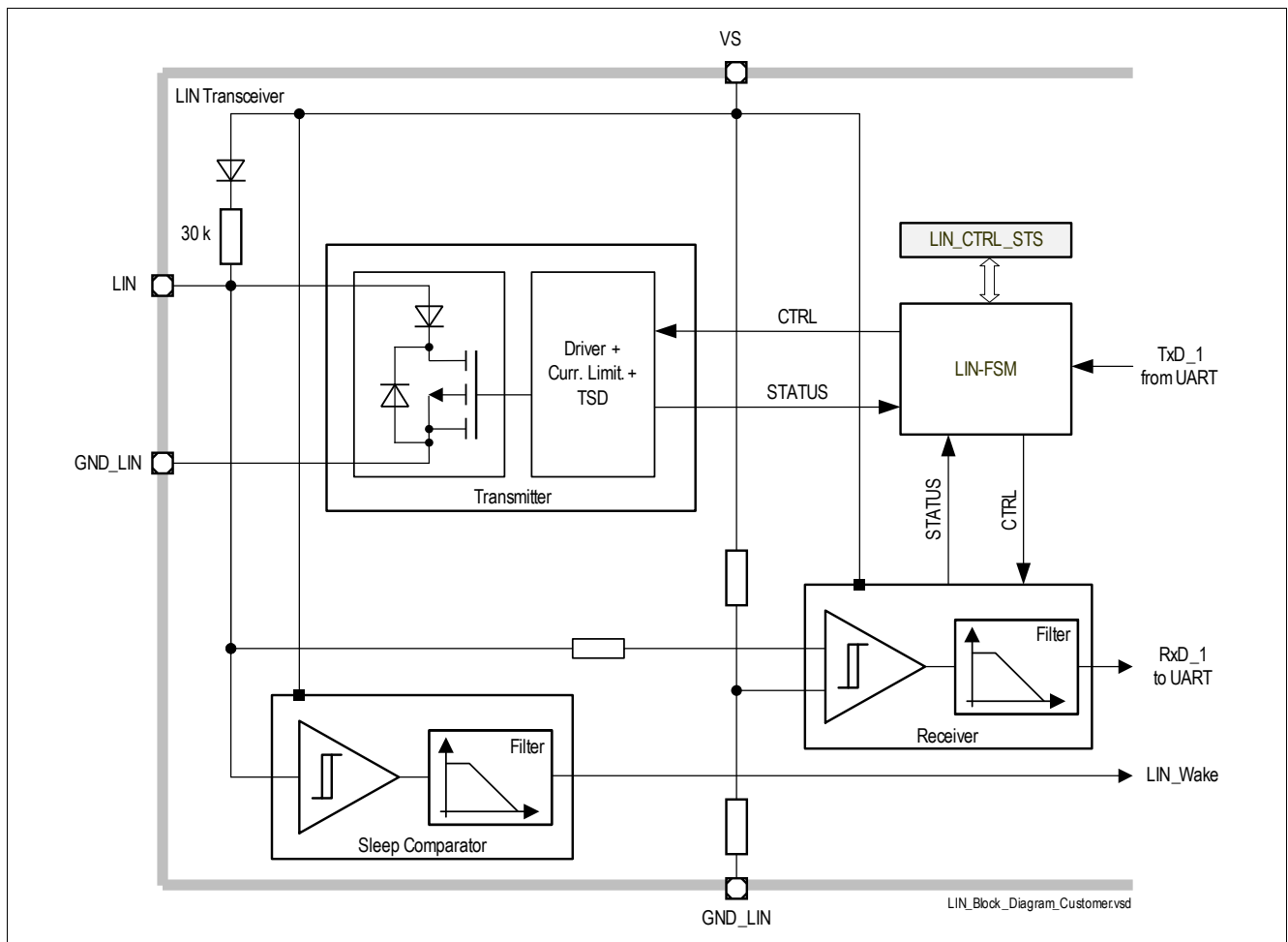


Figure 159 LIN Transceiver Block Diagram

20.3 Functional Description

20.3.1 LIN Transceiver Modes

The LIN Module is controlled by an internal state machine which determines the actual state of the transceiver. This state machine is controllable by the SFR interface.

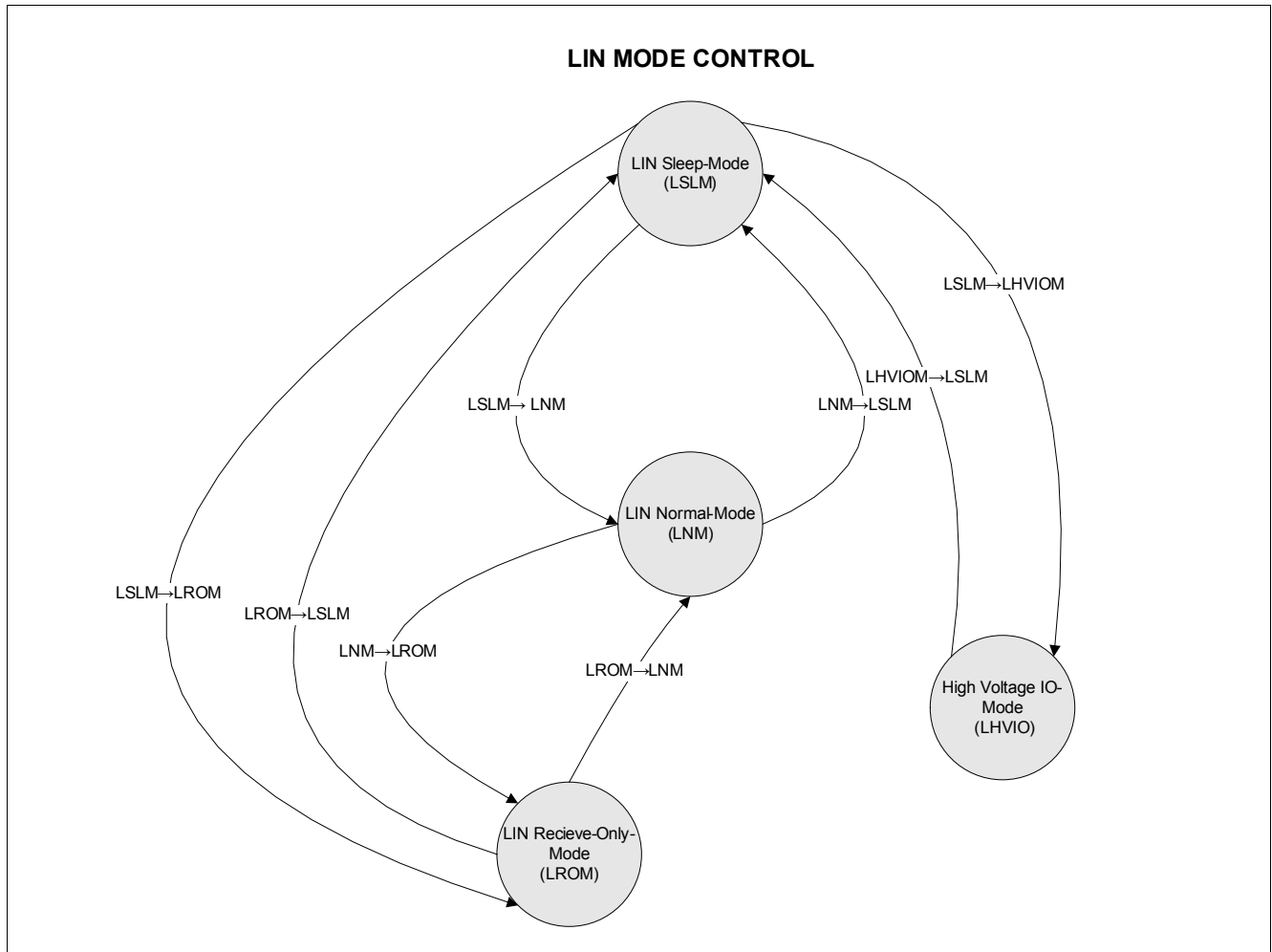


Figure 160 SFR controlled LIN Transceiver State machine

LIN Normal Mode (LNM)

In this mode it is possible to receive and transmit data with low slope, normal slope, fast slope or flash mode. Slope setting is locked during LIN Normal Mode to avoid destruction of communication process. This is blocked by hardware.

LIN Receive-Only Mode (LROM)

In LIN Receive-Only Mode the transmitter is disabled. The receiver is active. This mode can be directly selected by application software or is automatically set upon error detection.

LIN Sleep Mode (LSLM)

In this mode, the transmit and receive functions are disabled, the wake receiver is active. Minimum current consumption is achieved. Wake up via LIN is possible. To disable the wake capability via LIN, the LIN wake can be disabled within the PMU.

LIN High Voltage Input / Output (LHVIO)

This mode is dedicated for using the LIN transceiver as high voltage input/output. In LHVIO Mode the transceiver is controlled by [CTRL_STS.LIN_TXD](#).

The Input status is controlled by [CTRL_STS.LIN_TXD](#) and can be read by [CTRL_STS.LIN_RXD](#).

The transitions between the described states can only be executed when corresponding conditions are fulfilled. The detailed description of the transitions can be found below.

LIN Sleep Mode (LSLM) - LIN Receive-Only Mode (LROM) Transition Description

- LSLM - LROM transition is executed when:
 - MODE is configured to LIN Receive-Only Mode and
 - Feedback signals of Mode and Slope Mode are ok and
 - HV_Mode bit is not set
- LROM - LSLM transition is executed when:
 - MODE is configured to LIN Sleep Mode

LIN Sleep Mode (LSLM) - LIN Normal Mode (LNM) Transition Description

- LSLM - LNM transition is executed when:
 - MODE is configured to LIN Normal Mode and
 - Feedback signals of Mode and Slope Mode are ok and
 - HV_Mode bit is not set and
 - VS undervoltage flag (VS_UV_STS) is not set
 - LIN transceiver LIN_OT_STS and OC_STS are not set and
 - no TXD_TMOUT is set
- LNM - LSLM transition is executed when:
 - MODE is configured LIN Sleep Mode

LIN Normal Mode (LNM) - LIN Receive-Only Mode (LROM) Transition Description

- LNM - LROM transition is executed when
 - MODE is configured to LIN Receive-Only Mode or
 - Feedback signals of Mode and Slope Mode are not ok or
 - VS undervoltage flag (VS_UV_STS) is set or
 - LIN transceiver LIN_OT_STS or OC_STS are set or
 - TXD_TMOUT is set
- LROM - LNM transition is executed when:
 - MODE is configured to LIN Normal Mode and
 - Feedback signals of Mode and Slope Mode are ok (see [Chapter 20.3.2](#)) and
 - VS undervoltage flag (VS_UV_STS) is not set and
 - LIN transceiver LIN_OT_STS and OC_STS are not set and
 - no TXD_TMOUT is set

LIN Sleep Mode (LSLM) - LIN High Voltage Input / Output Mode (LHVIO) Transition Description

- LSLM - LHVIO transition is executed when
 - HV_MODE flag is set and
 - MODE is configured to LIN Normal Mode after HV_MODE flag was set and
 - Feedback signals of Mode and Slope Mode are ok and
 - LIN transceiver LIN_OT_STS and OC_STS are not set
- LHVIO - LSLM transition is executed when:
 - MODE is configured to LIN Sleep Mode and
 - HV_MODE flag is set or

- Feedback signals of Mode and Slope Mode are not ok or
- LIN transceiver LIN_OT_STS or OC_STS are set

LIN Specifications 1.3 and 2.0, 2.1

The LIN specification 2.0 is a superset of the 1.3 version offering some additional features. However, it is possible to use the LIN 1.3 slave node in a 2.0 node cluster, as long as the new features are not used. Vice versa it is possible to use a LIN 2.0 node in the 1.3 cluster without using the new features.

The latest version of the LIN specification 2.1 has no changes regarding the physical layer specification of LIN 2.0.

20.3.2 LIN Transceiver Status for Mode Selection

The LIN transceiver provides the possibility to monitor the on chip status through internally generated feedback signals. This provides additional protection functionality for the application to avoid wrong configuration of the transceiver, which may lead to a blocking of communication on the LIN Bus. The table below shows the decoding of feedback signals to check the current status of the transceiver.

Table 126 Decoding of Feedback Signals for LIN Transmitter Mode Settings

MODE_FB[2]	MODE_FB[1]	MODE_FB[0]	Remarks
0	0	0	Mode Error
0	0	1	LIN Sleep Mode
0	1	0	Mode Error
0	1	1	Mode Error
1	0	0	Mode Error
1	0	1	LIN Receive-Only Mode
1	1	0	Mode Error
1	1	1	LIN Normal Mode

A Mode Error indicates a problem in the LIN configuration. If that applies, check the LIN software configuration, and whenever this does not improve the mode feedback it is recommended to enter Sleep Mode.

20.3.3 LIN Transceiver Error Handling

The LIN Module provides error handling for three different cases:

LIN Transceiver TxD Timeout

If the internal UART TxD signal is dominant for the time $t > t_{\text{timeout}}$, the TxD timeout function deactivates the LIN transmitter output stage temporarily by entering the LIN Receive-Only Mode. The transceiver remains in recessive state. The TxD timeout function prevents the LIN bus from being blocked by a permanent low signal on the TxD pin, caused by a failure. The failure is stored in the TXD_TMOU flag. The transmitter stage is activated again after the dominant timeout condition is removed and after the TXD_TMOU flag is cleared by software.

Note: the TxD Timeout feature is automatically deactivated when the transceiver is set to LHVIO Mode.

LIN Transceiver Overcurrent

If the LIN transmitter detects an overcurrent condition $I > I_{\text{BUS,sc}}$, the LIN transceiver stays in LIN Normal Mode and the overcurrent status will be stored in the OC_STS flag. The short circuit current is limited to $I_{\text{BUS,sc}}$. The OC_STS flag can be cleared by software and will be set again as long as the above condition remains.

To generate an interrupt in case of LIN overcurrent detection, the corresponding interrupt can be enabled by setting the OC_IE in the SYS_IRQ_CTRL_1 register. This interrupt is routed to INTISR[10].

LIN Transceiver Overtemperature

If the LIN transmitter detects an overtemperature condition the transmitter will be deactivated temporarily by entering the LIN Receive-Only Mode. The transceiver remains in recessive state. The failure is stored in the LIN_OT_STS flag. The transmitter stage is activated again after the overtemperature condition is gone and after the LIN_OT_STS flag is cleared by software.

To generate an interrupt in case of LIN overtemperature detection, the corresponding interrupt can be enabled by setting the LIN_OT_IE in the SYS_IRQ_CTRL_1 register. This interrupt is routed to INTISR[10].

20.3.4 Slope Modes

The LIN Module provides some additional slope mode features which can be used for EoL (End of Line) programming or to reduce emission in case of usage of lower baudrates. The configurable slope modes are:

Normal Slope Mode

This mode is usually used to transmit and receive messages on the bus. The selected slew rate setting allows a transmission rate of up to 20 kBaud.

Low Slope Mode

The usage of this mode is linked to a communication with lower baudrate. With this setting the emission of the transmitter can be reduced. The selected slew rate setting allows a transmission rate of up to 10.4 kBaud.

Fast Slope Mode

In this mode it is also possible to transmit and receive messages on the bus. The selected slew rate setting allows a transmission rate of up to 40 kBaud.

Flash Mode

In this mode it is possible to transmit and receive messages on the bus. Transmission rates of up to 115.2 kBaud are allowed due the internal slew rate control. This mode can be used for EoL programming.

Changing Slope Modes

It is not possible to change slope modes when the module is operating in LIN Normal Mode because this would cause transmission errors. For example, to change from Normal Slope Mode to Flash Mode, proceed as follows:

- change to LIN Receive-Only Mode or LIN Sleep Mode;
- configure the desired slope mode; and
- go back to LIN Normal Mode.

20.3.5 LIN Transceiver Slope Mode Status

The LIN transceiver provides the possibility to monitor the on chip status of the slope control through internally generated feedback signals. The table shows the decoding of the feedback signals.

Table 127 Slope Mode Status

FB_SM3	FB_SM2	FB_SM1	Remarks
0	0	0	LIN module not enabled
0	0	1	Low Slope Mode
0	1	0	Normal Slope Mode
0	1	1	Fast Slope mode
1	0	0	Flash Mode
1	0	1	Slope Mode Error
1	1	0	Slope Mode Error
1	1	1	Slope Mode Error

20.4 Register Definition

Table 128 shows the module base and end addresses.

Table 128 Register Address Space

Module	Base Address	End Address	Note
LIN	4801E000 _H	4801FFFF _H	

Table 129 Register Overview

Register Short Name	Register Long Name	Offset Address	Reset Value
Register Definition , CTRL_STS	LIN Transceiver Control and Status	00 _H	0000 0000 0001 1xxx xxx0 0x10 0000 0111 _B

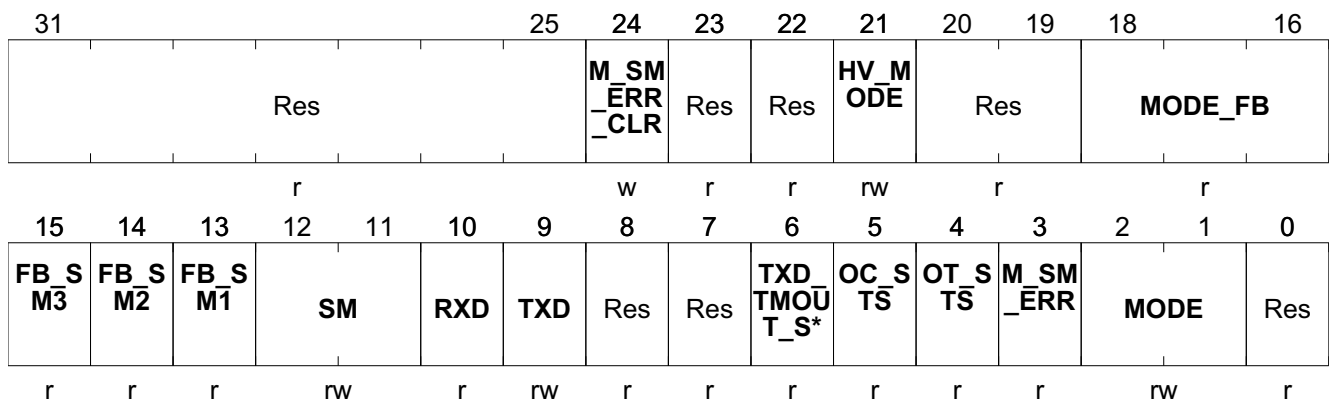
The registers are addressed wordwise.

The LIN transceiver and the controlling finite state machine can be fully controlled by the following SFR Register.

LIN Transceiver Control and Status

The register is reset by RESET_TYPE_3.

CTRL_STS	Offset	Reset Value
LIN Transceiver Control and Status	00 _H	0000 0000 0001 1xxx xxx0 0x10 0000 0111 _B



Field	Bits	Type	Description
Res	31:25	r	Reserved Always read as 0

Field	Bits	Type	Description
M_SM_ERR_CLR	24	w	LIN Transceiver Mode or Slope Mode Error Clear 0 _B Mode or Slope Mode Error Status not clear 1 _B Mode or Slope Mode Error Status clear
Res	23	r	Reserved Always read as 0
Res	22	r	Reserved Always read as 0
HV_MODE	21	rw	LIN Transceiver High Voltage Input - Output Mode 0 _B DISABLE High Voltage Mode Entry is disabled 1 _B ENABLE High Voltage Mode Entry is enabled
Res	20:19	r	Reserved Always read as "11"
MODE_FB	18:16	r	Feedback Signals for LIN Transmitter Mode Settings Coding see Table 126
FB_SM3	15	r	Feedback Signal 3 for Slope Mode Setting Coding see Table 127
FB_SM2	14	r	Feedback Signal 2 for Slope Mode Setting Coding see Table 127
FB_SM1	13	r	Feedback Signal 1 for Slope Mode Setting Coding see Table 127
SM	12:11	rw	LIN Transmitter Slope mode control 00 _B Normal Slope Mode for max. 20 kBaud 01 _B Fast Slope Mode for max. 40 kBaud 10 _B Low Slope Mode for max. 10.4 kBaud 11 _B Flash Mode for max. 150 kBaud _B <i>Note: Slope Mode can not be changed in Normal Mode</i>
RXD	10	r	Output Signal of Receiver Can be used to monitor the Receiver Output
TXD	9	rw	LIN Transmitter switch on (only used when HV_MODE is set) 0 _B Pull Down LIN Line Transmitter is switched on 1 _B Pull Up Resistor is active Transmitter is switched off
Res	8	r	Reserved Always read as 0
Res	7	r	Reserved Always read as 0
TXD_TMOU_STS	6	r	LIN TXD time-out status 0 _B NO_TIMEOUT no time-out occurred 1 _B TIMEOUT time-out occurred
OC_STS	5	r	LIN Receiver Overcurrent Status 0 _B no Overcurrent overcurrent status occurred 1 _B Overcurrent overcurrent status occurred
OT_STS	4	r	LIN Receiver Overtemperature Status 0 _B no Overtemperature overtemperature occurred 1 _B Overtemperature overtemperature occurred

Field	Bits	Type	Description
M_SM_ERR	3	r	LIN Transceiver Mode or Slope Mode Error 0 _B no Mode or Slope Mode Error Status (see corresponding feedback bits) 1 _B Mode or Slope Mode Error Status (see corresponding feedback bits)
MODE	2:1	rw	LIN transceiver power mode control 00 _B LIN Sleep Mode LIN module switched to LIN Sleep Mode 01 _B LIN Receive-Only Mode LIN module switched to LIN Receive Only Mode 10 _B n.u. not used 11 _B LIN Normal Mode LIN module switched to LIN Normal Mode
Res	0	r	Reserved Always read as 1

21 High-Speed Synchronous Serial Interface (SSC1/SSC2)

21.1 Features

- Master and Slave Mode operation
 - Full-duplex or half-duplex operation
- Transmit and receive buffered
- Flexible data format
 - Programmable number of data bits: 2 to 16 bits
 - Programmable shift direction: Least Significant Bit (LSB) or Most Significant Bit (MSB) shift first
 - Programmable clock polarity: idle low or high state for the shift clock
 - Programmable clock/data phase: data shift with leading or trailing edge of the shift clock
- Variable baud rate
- Compatible with Serial Peripheral Interface (SPI)
- Interrupt generation
 - On a transmitter empty condition
 - On a “receiver full” condition
 - On an error condition (receive, phase, baud rate, transmission error)

21.2 Introduction

The High-Speed Synchronous Serial Interface (SSC) supports both full-duplex and half-duplex serial synchronous communication. The serial clock signal can be generated by the SSC internally (master mode), using its own 16-bit baud rate generator, or can be received from an external master (slave mode). Data width, shift direction, clock polarity, and phase are programmable. This allows communication with SPI-compatible devices or devices using other synchronous serial interfaces.

Data is transmitted or received on TXD and RXD lines, which are normally connected to the MTSR (Master Transmit/Slave Receive) and MRST (Master Receive/Slave Transmit) pins. The clock signal is output via line MS_CLK (Master Serial Shift Clock) or input via line SS_CLK (Slave Serial Shift Clock). Both lines are normally connected to the pin SCLK. Transmission and reception of data are double-buffered.

21.2.1 Block Diagram

Figure 161 shows all functional relevant interfaces associated with the SSC Kernel.

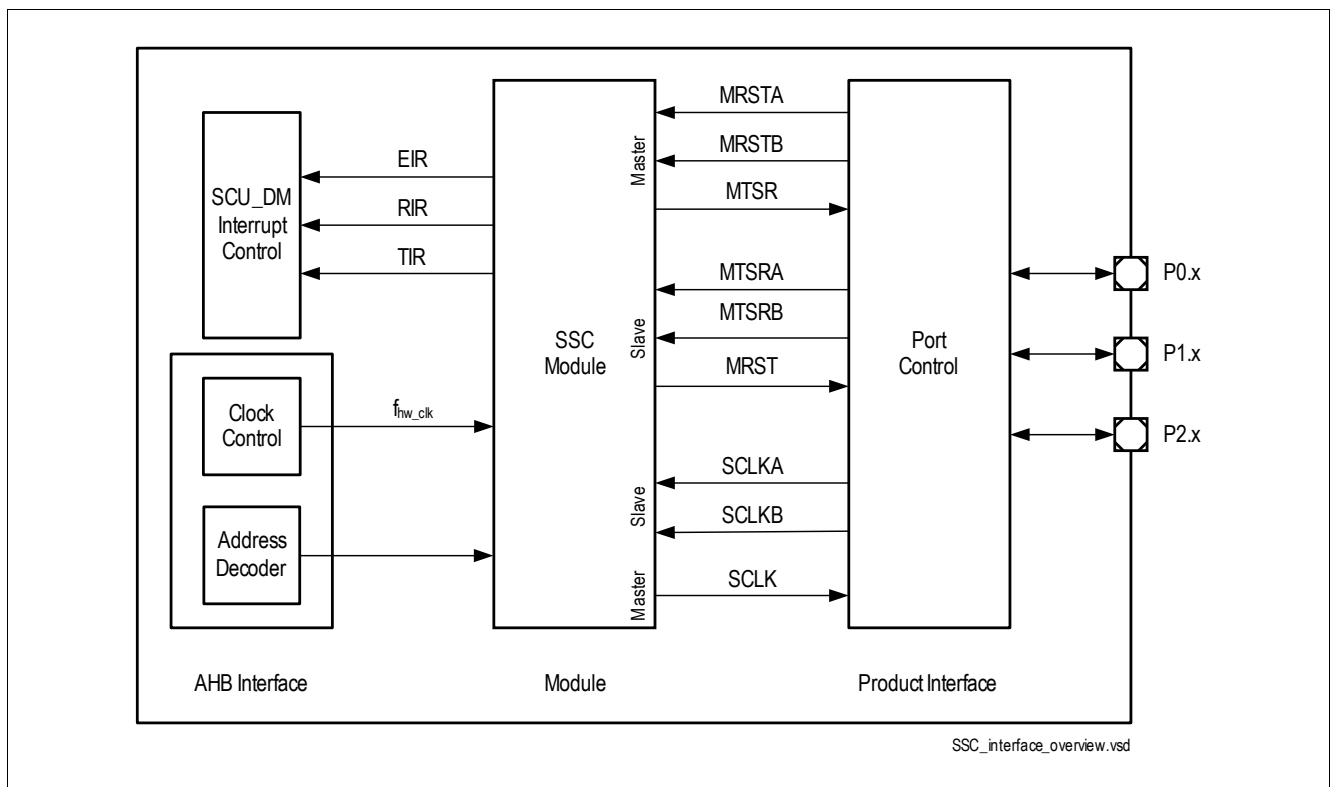


Figure 161 SSC Interface Diagram

21.3 Functional Description

21.3.1 SSC1 and SSC2 Modes Overview

The SSC supports full-duplex and half-duplex synchronous communication up to 20 MBaud (@ 40 MHz module clock). The serial clock signal can be generated by the SSC itself (Master Mode) or can be received from an external master (Slave Mode). Data width, shift direction, clock polarity, and phase are programmable. This allows communication with SPI-compatible devices. Transmission and reception of data is double-buffered. A 16-bit baud-rate generator provides the SSC with a separate serial clock signal.

The SSC can be configured in a very flexible way, so it can be used with other synchronous serial interfaces, can serve for master/slave or multimaster interconnections or can operate compatible with the popular SPI interface. Thus, the SSC can be used to communicate with shift registers (I/O expansion), peripherals (e.g. EEPROMs, etc.) or other controllers (networking). The SSC supports half-duplex and full-duplex communication. Data is transmitted or received on lines TXD and RXD, normally connected with pins MTSR (Master Transmit/Slave Receive) and MRST (Master Receive/Slave Transmit). The clock signal is output via line MS_CLK (Master Serial Shift Clock) or input via line SS_CLK (Slave Serial Shift Clock). Both lines are normally connected to pin SCLK.

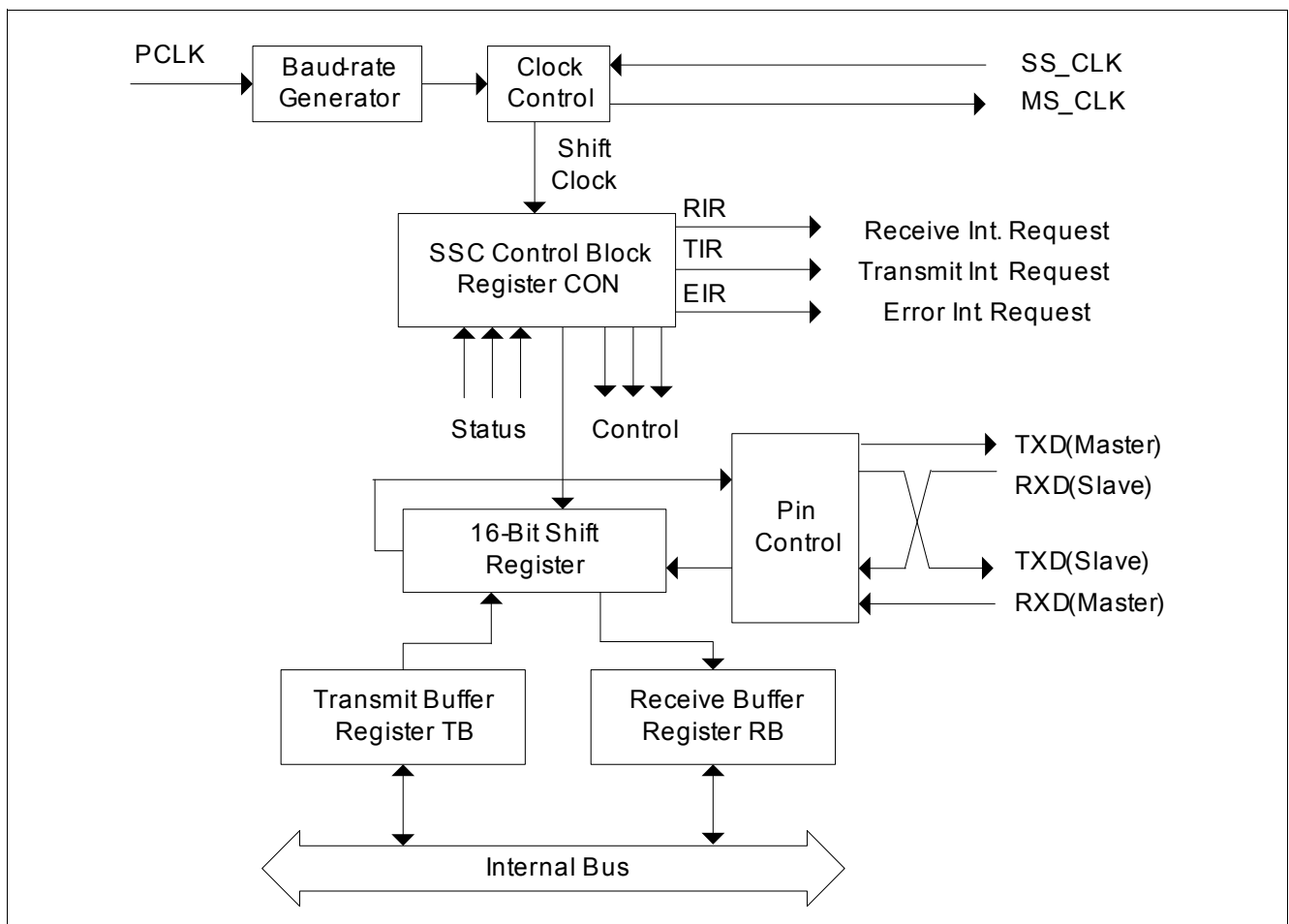


Figure 162 Synchronous Serial Channel SSC Block Diagram

21.3.2 Operating Mode Selection

The operating mode of the serial channel SSC is controlled by its control register CON. This register serves two purposes:

- During programming (SSC disabled by CON.EN = 0), it provides access to a set of control bits
- During operation (SSC enabled by CON.EN = 1), it provides access to a set of status flags.

The shift register of the SSC is connected to both the transmit lines and the receive lines via the pin control logic (see block diagram in [Figure 162](#)). Transmission and reception of serial data are synchronized and take place at the same time, i.e. the same number of transmitted bits is also received. Transmit data is written into the Transmit Buffer (TB) and is moved to the shift register as soon as this is empty. An SSC master (CON.MS = 1) immediately begins transmitting, while an SSC slave (CON.MS = 0) will wait for an active shift clock. When the transfer starts, the busy flag CON.BSY is set and the Transmit Interrupt Request line TIR will be activated to indicate that register TB may be reloaded again. When the programmed number of bits (2 ... 16) has been transferred, the contents of the shift register are moved to the Receive Buffer RB and the Receive Interrupt Request line RIR will be activated. If no further transfer is to take place (TB is empty), CON.BSY will be cleared at the same time. Software should not modify CON.BSY, as this flag is hardware controlled.

Note: The SSC starts transmission and sets CON.BSY minimum two clock cycles after transmit data is written into TB. Therefore, it is not recommended to poll CON.BSY to indicate the start and end of a single transmission. Instead, interrupt service routine should be used if interrupts are enabled, or the interrupt flags IRCON1.TIR and IRCON1.RIR should be polled if interrupts are disabled.

Note: Only one SSC (etc.) can be master at a given time.

The transfer of serial data bits can be programmed in many respects:

- The data width can be specified from 2 bits to 16 bits
- A transfer may start with either the LSB or the MSB
- The shift clock may be idle low or idle high
- The data bits may be shifted with the leading edge or the trailing edge of the shift clock signal
- The baud rate may be set from 305.18 Baud up to 20 MBaud (@ 40 MHz module clock)
- The shift clock can be generated (MS_CLK) or can be received (SS_CLK)

These features allow the adaptation of the SSC to a wide range of applications requiring serial data transfer.

The Data Width Selection supports the transfer of frames of any data length, from 2-bit “characters” up to 16-bit “characters”. Starting with the LSB (CON.HB = 0) allows communication with SSC devices in Synchronous Mode or with 8051 like serial interfaces for example. Starting with the MSB (CON.HB = 1) allows operation compatible with the SPI interface.

Regardless of the data width selected and whether the MSB or the LSB is transmitted first, the transfer data is always right-aligned in registers TB and RB, with the LSB of the transfer data in bit 0 of these registers. The data bits are rearranged for transfer by the internal shift register logic. The unselected bits of TB are ignored; the unselected bits of RB will not be valid and should be ignored by the receiver service routine.

The Clock Control allows the adaptation of transmit and receive behavior of the SSC to a variety of serial interfaces. A specific shift clock edge (rising or falling) is used to shift out transmit data, while the other shift clock edge is used to latch in receive data. Bit CON.PH selects the leading edge or the trailing edge for each function. Bit CON.PO selects the level of the shift clock line in the idle state. Thus, for an idle-high clock, the leading edge is a falling one, a 1-to-0 transition (see [Figure 163](#)).

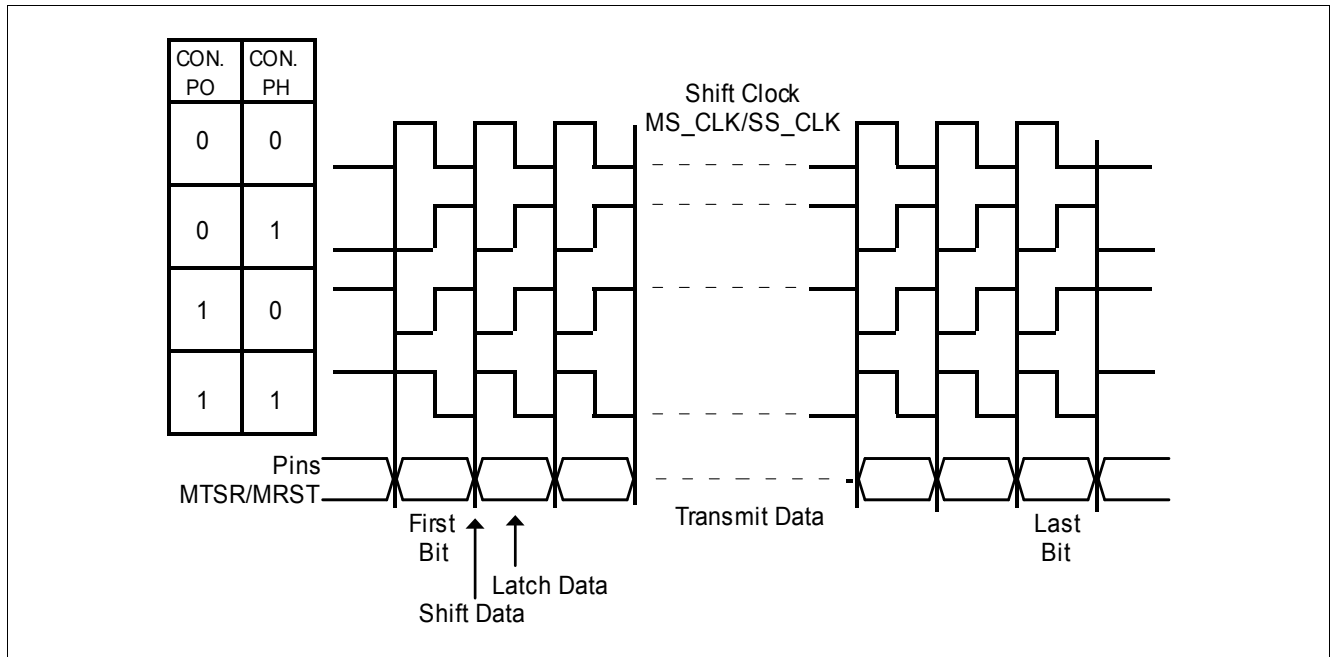


Figure 163 Serial Clock Phase and Polarity Options

21.3.3 Full-Duplex Operation

The various devices are connected through three lines. The definition of these lines is always determined by the master: the line connected to the master's data output line TXD is the transmit line; the receive line is connected to its data input line RXD; the shift clock line is either MS_CLK or SS_CLK. Only the device selected for master operation generates and outputs the shift clock on line MS_CLK. Since all slaves receive this clock, their pin SCLK must be switched to input mode. The output of the master's shift register is connected to the external transmit line, which in turn is connected to the slaves' shift register input. The output of the slaves' shift register is connected to the external receive line in order to enable the master to receive the data shifted out of the slave. The external connections are hard-wired, the function and direction of these pins is determined by the master or slave operation of the individual device.

Note: The shift direction shown in the figure applies for MSB-first operation as well as for LSB-first operation.

When initializing the devices in this configuration, one device must be selected for master operation while all other devices must be programmed for slave operation. Initialization includes the operating mode of the device's SSC and also the function of the respective port lines.

High-Speed Synchronous Serial Interface (SSC1/SSC2)

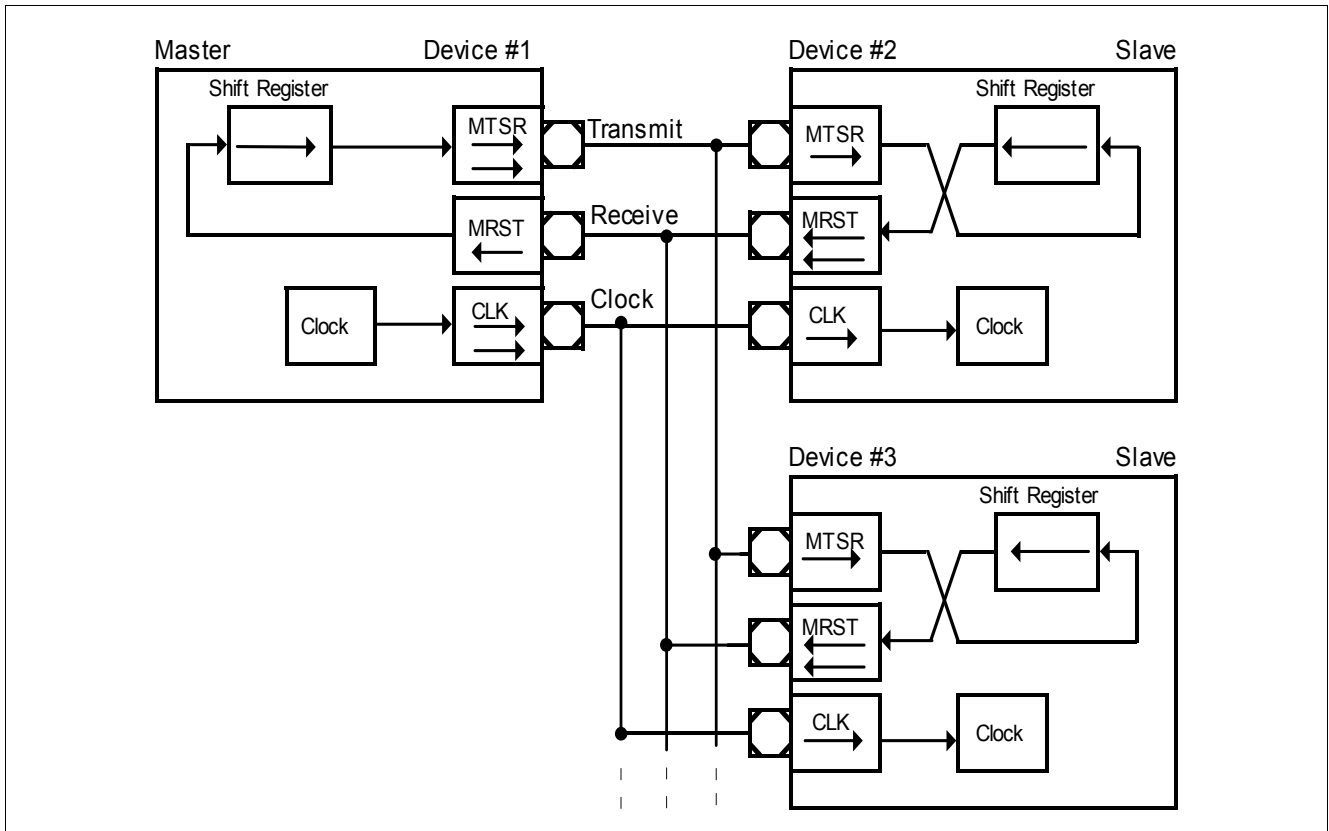


Figure 164 SSC Full-Duplex Configuration

The data output pins MRST of all slave devices are connected together onto the one receive line in the configuration shown in [Figure 164](#). During a transfer, each slave shifts out data from its shift register. There are two ways to avoid collisions on the receive line due to different slave data:

- Only one slave drives the line, i.e. enables the driver of its MRST pin. All the other slaves must have their MRST pins programmed as input so only one slave can put its data onto the master's receive line. Only receiving data from the master is possible. The master selects the slave device from which it expects data either by separate select lines, or by sending a special command to this slave. The selected slave then switches its MRST line to output until it gets a de-selection signal or command.
- The slaves use open drain output on MRST. This forms a wired-AND connection. The receive line needs an external pull-up in this case. Corruption of the data on the receive line sent by the selected slave is avoided when all slaves not selected for transmission to the master only send ones (1s). Because this high level is not actively driven onto the line, but only held through the pull-up device, the selected slave can pull this line actively to a low-level when transmitting a zero bit. The master selects the slave device from which it expects data either by separate select lines or by sending a special command to this slave.

After performing the necessary initialization of the SSC, the serial interfaces can be enabled. For a master device, the alternate clock line will now go to its programmed polarity. The alternate data line will go to either 0 or 1 until the first transfer starts. After a transfer, the alternate data line will always remain at the logic level of the last transmitted data bit.

When the serial interfaces are enabled, the master device can initiate the first data transfer by writing the transmit data into register TB. This value is copied into the shift register (assumed to be empty at this time), and the selected first bit of the transmit data will be placed onto the TXD line on the next clock from the baud-rate generator (transmission starts only if CON.EN = 1). Depending on the selected clock phase, a clock pulse will also be generated on the MS_CLK line. At the same time, with the opposite clock edge, the master latches and shifts in the data detected at its input line RXD. This “exchanges” the transmit data with the receive data. Because the clock line is connected to all slaves, their shift registers will be shifted synchronously with the master's shift register —

High-Speed Synchronous Serial Interface (SSC1/SSC2)

shifting out the data contained in the registers, and shifting in the data detected at the input line. After the preprogrammed number of clock pulses (via the data width selection), the data transmitted by the master is contained in all the slaves' shift registers, while the master's shift register holds the data of the selected slave. In the master and all slaves, the contents of the shift register are copied into the receive buffer RB and the receive interrupt line RIR is activated.

A slave device will immediately output the selected first bit (MSB or LSB of the transfer data) at line RXD when the contents of the transmit buffer are copied into the slave's shift register. Bit CON.BSY is not set until the first clock edge at SS_CLK appears. The slave device will not wait for the next clock from the baud-rate generator, as the master does. The reason for this is that, depending on the selected clock phase, the first clock edge generated by the master may already be used to clock in the first data bit. Thus, the slave's first data bit must already be valid at this time.

*Note: On the SSC, a transmission **and** a reception takes place at the same time, regardless of whether valid data has been transmitted or received.*

Note: The initialization of the CLK pin on the master requires some attention in order to avoid undesired clock transitions, which may disturb the other devices. Before the clock pin is switched to output via the related direction control register, the clock output level will be selected in the control register CON and the alternate output be prepared via the related ALTSEL register, or the output latch must be loaded with the clock idle level.

21.3.4 Half-Duplex Operation

In a Half-Duplex Mode, only one data line is necessary for both receiving **and** transmitting of data. The data exchange line is connected to both the MTSR and MRST pins of each device, the shift clock line is connected to the SCLK pin.

The master device controls the data transfer by generating the shift clock, while the slave devices receive it. Due to the fact that all transmit and receive pins are connected to the one data exchange line, serial data may be moved between arbitrary stations.

Similar to Full-Duplex Mode, there are two ways to avoid collisions on the data exchange line:

- Only the transmitting device may enable its transmit pin driver
- The non-transmitting devices use open drain output and send only ones.

Because the data inputs and outputs are connected together, a transmitting device will clock in its own data at the input pin (MRST for a master device, MTSR for a slave). By this method, any corruptions on the common data exchange line are detected if the received data is not equal to the transmitted data.

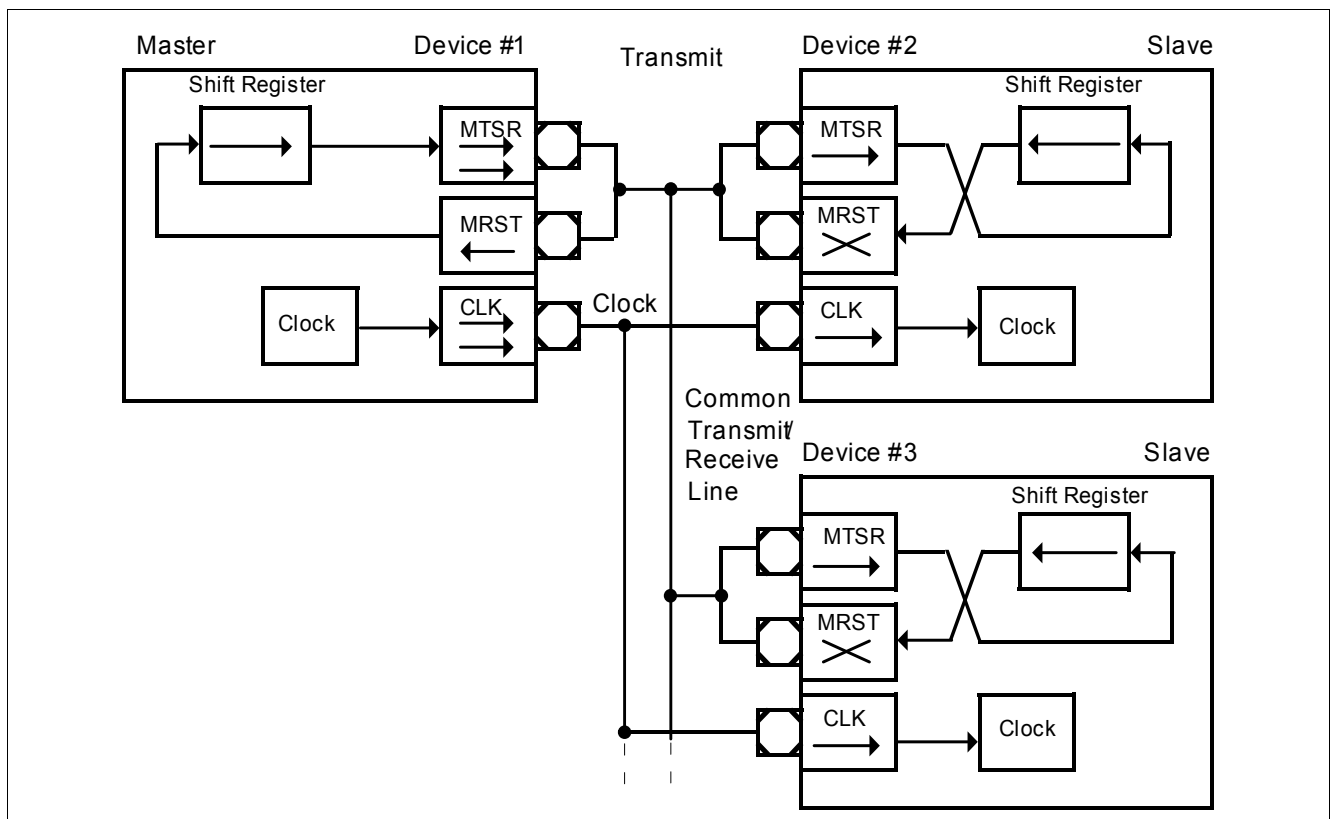


Figure 165 SSC Half-Duplex Configuration

21.3.5 Continuous Transfers

When the transmit interrupt request flag is set, it indicates that the transmit buffer TB is empty and ready to be loaded with the next transmit data. If TB has been reloaded by the time the current transmission is finished, the data is immediately transferred to the shift register and the next transmission will start without any additional delay. On the data line, there is no gap between the two successive frames. For example, two byte transfers would look the same as one word transfer. This feature can be used to interface with devices that can operate with or require more than 8 data bits per transfer. It is just a matter of software, how long a total data frame length can be. This option can also be used to interface to byte-wide and word-wide devices on the same serial bus, for instance.

Note: Of course, this can happen only in multiples of the selected basic data width, because it would require disabling/enabling of the SSC to reprogram the basic data width on-the-fly.

21.3.6 Baud Rate Generation

The serial channel SSC has its own dedicated 16-bit baud-rate generator with 16-bit reload capability, allowing baud rate generation independent of the timers. In addition to [Figure 162](#), [Figure 166](#) shows the baud-rate generator of the SSC in more detail.

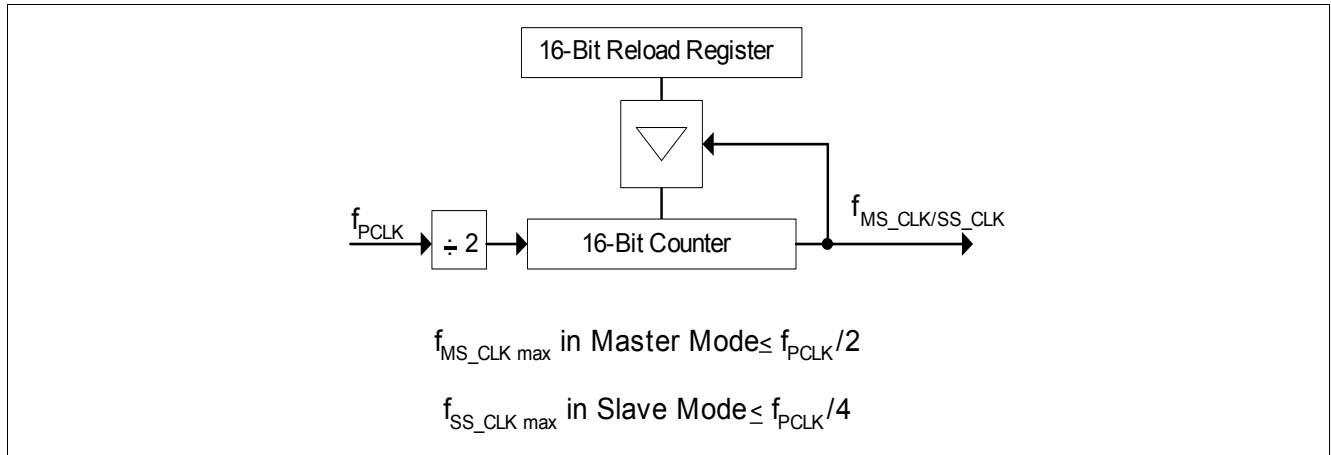


Figure 166 SSC Baud-rate Generator

The baud-rate generator is clocked with the module clock f_{hw_clk} . The timer counts downwards. Register BR is the dual-function Baud-rate Generator/Reload register. Reading BR, while the SSC is enabled, returns the contents of the timer. Reading BR, while the SSC is disabled, returns the programmed reload value. In this mode, the desired reload value can be written to BR.

Note: Never write to BR while the SSC is enabled.

The formulas below calculate either the resulting baud rate for a given reload value, or the required reload value for a given baud rate:

$$\text{Baud rate} = \frac{f_{hw_clk}}{2 \cdot (\langle BR \rangle + 1)} \qquad BR = \frac{f_{hw_clk}}{2 \cdot \text{Baud rate}} - 1 \qquad (14)$$

$\langle BR \rangle$ represents the contents of the reload register, taken as an unsigned 16-bit integer, while baud rate is equal to f_{MS_CLK/SS_CLK} as shown in [Figure 166](#).

The maximum baud rate that can be achieved when using a module clock of 40 MHz is 20 MBaud in Master Mode (with $\langle BR \rangle = 0000_H$) or 10 MBaud in Slave Mode (with $\langle BR \rangle = 0001_H$).

[Table 130](#) lists some possible baud rates together with the required reload values and the resulting bit times, assuming a module clock of 40 MHz.

Table 130 Typical Baud Rates of the SSC ($f_{hw_clk} = 40\ \text{MHz}$)

Reload Value	Baud Rate (= f_{MS_CLK/SS_CLK})	Deviation
0000 _H	20 MBaud (only in Master Mode)	0.0%
0001 _H	10 MBaud	0.0%
0013 _H	1 MBaud	0.0%
0027 _H	500 kBaud	0.0%
00C7 _H	100 kBaud	0.0%
07CF _H	10 kBaud	0.0%
4E1F _H	1 kBaud	0.0%
FFFF _H	305.18 Baud	0.0%

21.3.7 Error Detection Mechanisms

The SSC is able to detect four different error conditions. Receive Error and Phase Error are detected in all modes; Transmit Error and Baud Rate Error apply only to Slave Mode. When an error is detected, the respective error flag is/can be set and an error interrupt request will be generated by activating the EIR line (see [Figure 167](#)) if enabled. The error interrupt handler may then check the error flags to determine the cause of the error interrupt. The error flags are not reset automatically but must be cleared by software after servicing. This allows servicing of some error conditions via interrupt, while the others may be polled by software.

Note: The error interrupt handler must clear the associated (enabled) error flag(s) to prevent repeated interrupt requests.

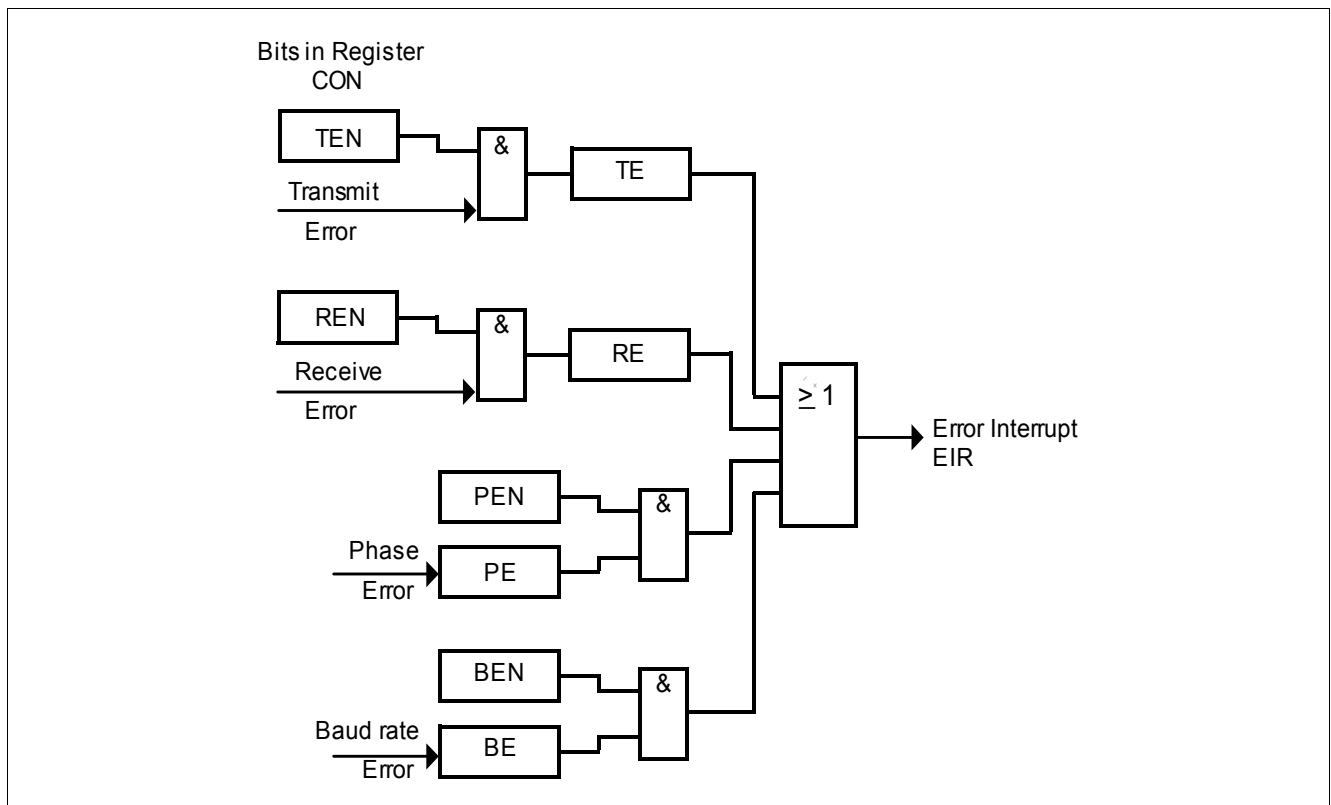


Figure 167 SSC Error Interrupt Control

A **Receive Error** (Master or Slave Mode) is detected when a new data frame is completely received but the previous data was not read out of the receive buffer register RB. This condition sets the error flag CON.RE and the error interrupt request line EIR, when enabled via CON.REN. The old data in the receive buffer RB will be overwritten with the new value and is irretrievably lost.

A **Phase Error** (Master or Slave Mode) is detected when the incoming data at pin MRST (Master Mode) or MTSR (Slave Mode), sampled with the same frequency as the module clock, changes between one cycle before and two cycles after the latching edge of the shift clock signal SCLK. This condition sets the error flag CON.PE and, when enabled via CON.PEN, the error interrupt request line EIR.

Note: When receiving and transmitting data in parallel, phase errors occur if the baud rate is configured to $f_{hw_clk} / 2$.

A **Baud Rate Error** (Slave Mode) is detected when the incoming clock signal deviates from the programmed baud rate by more than 100%, i.e. it is either more than double or less than half the expected baud rate. This condition sets the error flag CON.BE and, when enabled via CON.BEN, the error interrupt request line EIR. Using this error detection capability requires that the slave's baud-rate generator is programmed to the same baud rate as the master device. This feature detects false additional, or missing pulses on the clock line (within a certain frame).

High-Speed Synchronous Serial Interface (SSC1/SSC2)

Note: If this error condition occurs and bit CON.REN = 1, an automatic reset of the SSC will be performed in case of this error. This is done to re-initialize the SSC if too few or too many clock pulses have been detected.

Note: This error can occur after any transfer if the communication is stopped. This is the case due to the fact that the SSC module supports back-to-back transfers for multiple transfers. In order to handle this, the baud rate detector expects after a finished transfer immediately a next clock cycle for a new transfer.

A **Transmit Error** (Slave Mode) is detected when a transfer was initiated by the master (SS_CLK gets active) but the transmit buffer TB of the slave was not updated since the last transfer. This condition sets the error flag CON.TE and the error interrupt request line EIR, when enabled via CON.TEN. If a transfer starts while the transmit buffer is not updated, the slave will shift out the 'old' contents of the shift register, which normally is the data received during the last transfer. This may lead to corruption of the data on the transmit/receive line in half-duplex mode (open drain configuration) if this slave is not selected for transmission. This mode requires that slaves not selected for transmission only shift out ones; that is, their transmit buffers must be loaded with 'FFFF_H' prior to any transfer.

Note: A slave with push/pull output drivers not selected for transmission, will normally have its output drivers switched. However, in order to avoid possible conflicts or misinterpretations, it is recommended to always load the slave's transmit buffer prior to any transfer.

The cause of an error interrupt request (receive, phase, baud rate, transmit error) can be identified by the error status flags in control register CON.

Note: In contrast to the error interrupt request line EIR, the error status flags CON.TE, CON.RE, CON.PE, and CON.BE, are not reset automatically upon entry into the error interrupt service routine, but must be cleared by software.

21.3.7.1 Port Control

The SSC uses three lines to communicate with the external world. Pin SCLK serves as the clock line, while pins MRST (Master Receive/Slave Transmit) and MTSR (Master Transmit/Slave Receive) serve as the serial data input/output lines. As shown in **Figure 161** these three lines (SCLK as input, Master Receive, Slave Receive) have all two inputs at the SSC Module kernel. Three bits in register PISEL define which of the two kernel inputs (A or B) are connected. This feature allows for each of the three SSC communication lines to be connected to two inputs coming from different port pins.

Operation of the SSC I/O lines depends on the selected operating mode (master or slave). The direction of the port lines depends on the operating mode. The SSC will automatically use the correct kernel output or kernel input line of the ports when switching modes. Port pins assigned as SSC I/O lines can be controlled in two ways:

- By hardware
- By software

When the SSC I/O lines are connected with dedicated pins typically hardware I/O control should be used. In this case, the two output signals reflect directly the state of the CON.EN and CON.MS bits (the M/S select line is inverted to the CON.MS bit definition).

When the SSC I/O lines are connected with bidirectional lines of general purpose I/O ports, typically software I/O control should be used. In this case port registers must be programmed for alternate output and input selection. When switching between master and slave mode, port registers must be reprogrammed.

21.4 Module Interfaces

This section describes:

- The SSC module related interfaces such as port connections and interrupt control
- All SSC module related registers with its addresses

21.4.1 Interfaces of the SSC Module

An overview of the SSC kernel I/O interface is shown in **Figure 168** (SSC1) and **Figure 169** (SSC2).

The interrupt requests of the SSC are not connected directly to the Interrupt Controller, but via the System Control Unit (SCU). The interrupt request signals of the SSC are mapped to the Interrupt Controller by the SCU.

*Note: Please refer to **Chapter 7** for the SCU description.*

The General Purpose IO (GPIO) Port provides the interface from the SSC to the external world. There are two SSC kernels in the TLE9868QXB20, namely SSC1 and SSC2.

*Note: Please refer to **Chapter 14** for the Ports description.*

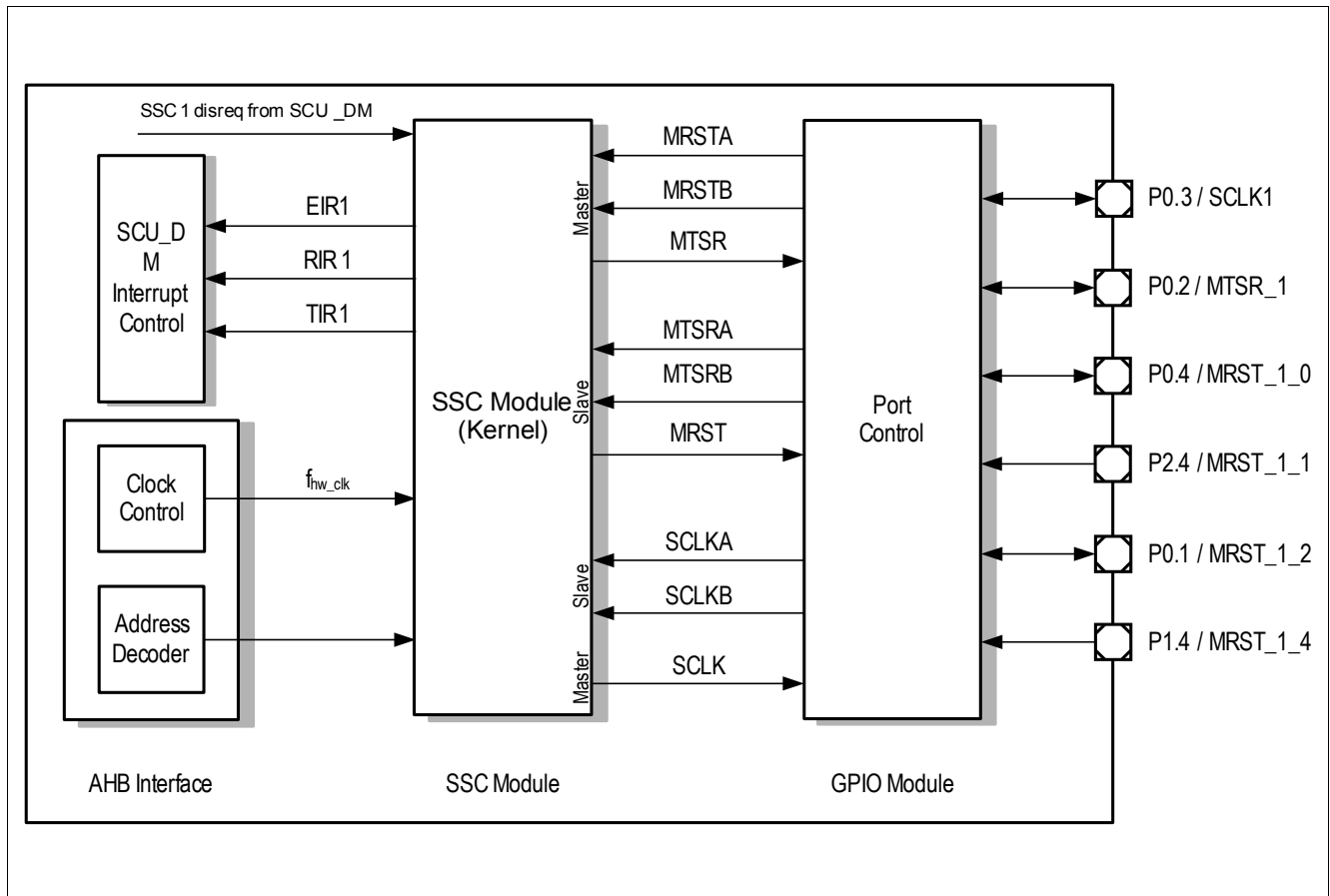


Figure 168 SSC1 Module I/O Interface

Table 131 SSC1 Interface

MIS_1	MIS_0	Description
0	0	P0.4 (MRST_1_0)
0	1	P2.4 (MRST_1_1)
1	0	P0.1 (MRST_1_2)
1	1	P1.4 (MRST_1_3)

High-Speed Synchronous Serial Interface (SSC1/SSC2)

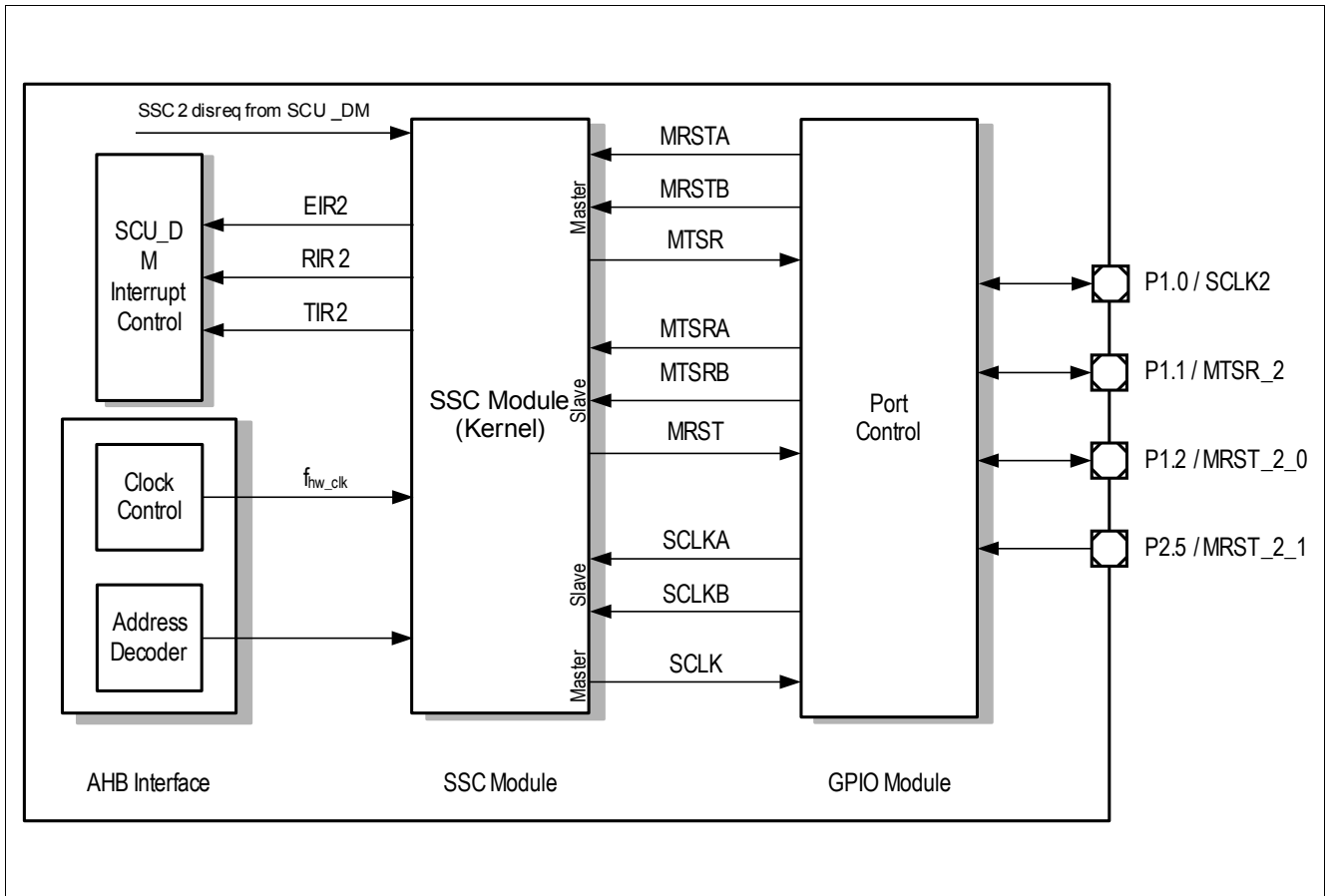


Figure 169 SSC2 Module I/O Interface

21.5 Interrupts

The three SSC interrupts can be separately enabled or disabled by setting or clearing their corresponding enable bits in SFR SCU_MODIEN.

For a detailed description of the various interrupts see [Section 21.4](#). An overview is given in [Table 132](#).

Table 132 SSC Interrupt Sources

Interrupt	Signal	Description
Transmission starts	TIR	Indicates that the transmit buffer can be reloaded with new data.
Transmission ends	RIR	The configured number of bits have been transmitted and shifted to the receive buffer.
Receive Error	EIR	This interrupt occurs if a new data frame is completely received and the last data in the receive buffer was not read.
Phase Error	EIR	This interrupt is generated if the incoming data changes between one cycle before and two cycles after the latching edge of the shift clock signal SCLK.
Baud Rate Error (Slave Mode only)	EIR	This interrupt is generated when the incoming clock signal deviates from the programmed baud rate by more than 100%.
Transmit Error (Slave Mode only)	EIR	This interrupt is generated when TB was not updated since the last transfer if a transfer is initiated by a master.

21.6 Register Definition

21.6.1 SSC1 and SSC2 Register Definition

21.6.2 Port Input Select Register

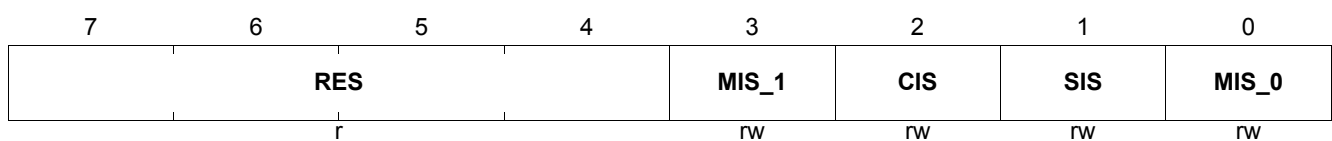
The PISEL register controls the receiver input selection of the SSC module.

PISEL

Port Input Select Register, RESET_TYPE_3

(00_H)

Reset Value: 00_H



Field	Bits	Type	Description
MIS_0	0	rw	Master Mode Receiver Input Select 0 _B see Table 131 “SSC1 Interface” on Page 569 (SSC1). 1 _B see Table 131 “SSC1 Interface” on Page 569 (SSC1). 0 _B Receiver input (Port A: P1.2) is selected (SSC2). 1 _B Receiver input (Port B: P2.5) is selected (SSC2).
SIS	1	rw	Slave Mode Receiver Input Select 0 _B Receiver input (Port A: P0.2) is selected (SSC1). 1 _B Receiver input (Port B: P0.2) is selected (SSC1). 0 _B Receiver input (Port A: P1.1) is selected (SSC2). 1 _B Receiver input (Port B: P1.1) is selected (SSC2).
CIS	2	rw	Slave Mode Clock Input Select 0 _B Clock input (Port A: P0.3) is selected (SSC1). 1 _B Clock input (Port B: P0.3) is selected (SSC1). 0 _B Clock input (Port A: P1.0) is selected (SSC2). 1 _B Clock input (Port B: P1.0) is selected (SSC2).
MIS_1	3	rw	Master Mode Receiver Input Select 0 _B see Table 131 “SSC1 Interface” on Page 569 (SSC1). 1 _B see Table 131 “SSC1 Interface” on Page 569 (SSC1). 0 _B n/a (SSC2). 1 _B n/a (SSC2).
RES	7:4	r	Reserved Returns 0 if read; should be written with 0.

Note: Port A and Port B inputs of the SSC kernel are connected to the external pins of Port 0 and Port 1 respectively.

21.6.2.1 Configuration Register

The operating mode of the serial channel SSC is controlled by the control register CON. This register contains control bits for mode and error check selection, and status flags for error identification. Depending on bit EN, either control functions or status flags and master/slave control are enabled.

CON.EN = 0: Programming Mode

CON Control Register								(04 _H)	Reset Value: 0000 _H
15	14	13	12	11	10	9	8		
EN	MS	Res	AREN	BEN	PEN	REN	TEN		
rw	rw	r	rw	rw	rw	rw	rw		
7	6	5	4	3	2	1	0		
LB	PO	PH	HB	BM					
rw	rw	rw	rw	rw					

Field	Bits	Type	Description
BM	3:0	rw	Data Width Selection 0000 _B Reserved. Do not use this combination. 0001 _B - 1111 _B Transfer Data Width is 2 ... 16 bits (BM+1).
HB	4	rw	Heading Control 0 _B Transmit/Receive LSB First. 1 _B Transmit/Receive MSB First.
PH	5	rw	Clock Phase Control 0 _B Shift transmit data on the leading clock edge, latch on trailing edge. 1 _B Latch receive data on leading clock edge, shift on trailing edge.
PO	6	rw	Clock Polarity Control 0 _B Idle clock line is low, leading clock edge is low-to-high transition. 1 _B Idle clock line is high, leading clock edge is high-to-low transition.
LB	7	rw	Loop Back Control 0 _B Normal output. 1 _B Receive input is connected with transmit output (half-duplex mode).
TEN	8	rw	Transmit Error Enable 0 _B Ignore transmit errors. 1 _B Check transmit errors.
REN	9	rw	Receive Error Enable 0 _B Ignore receive errors. 1 _B Check receive errors.
PEN	10	rw	Phase Error Enable 0 _B Ignore phase errors. 1 _B Check phase errors.
BEN	11	rw	Baud Rate Error Enable 0 _B Ignore baud rate errors. 1 _B Check baud rate errors.

High-Speed Synchronous Serial Interface (SSC1/SSC2)

Field	Bits	Type	Description
AREN	12	rw	Automatic Reset Enable 0 _B No additional action upon a baud rate error. 1 _B The SSC is automatically reset upon a baud rate error.
Res	13	r	Reserved Returns 0 if read; should be written with 0.
MS	14	rw	Master Select 0 _B Slave Mode. Operate on shift clock received via SCLK. 1 _B Master Mode. Generate shift clock and output it via SCLK.
EN	15	rw	Enable Bit = 0 Transmission and reception disabled. Access to control bits. <i>Note: The effect of EN bit becomes visible on the next write to the CON register.</i>

High-Speed Synchronous Serial Interface (SSC1/SSC2)

CON.EN = 1: Operating Mode

CON

Control Register

(04_H)

Reset Value: 0000_H

15	14	13	12	11	10	9	8
EN	MS	Res	BSY	BE	PE	RE	TE
rw	rw	r	rh	r	r	r	r
7	6	5	4	3	2	1	0
Res				BC			
r				rh			

Field	Bits	Type	Description
BC	3:0	rh	Bit Count Field Shift counter is updated with every shift bit. <i>Note: This bit field is not to be written to.</i>
Res	7:4	r	Reserved Returns 0 if read; should be written with 0.
TE	8	r	Transmit Error Flag 0 _B No error. 1 _B Transfer starts with the slave's transmit buffer not being updated.
RE	9	r	Receive Error Flag 0 _B No error. 1 _B Reception completed before the receive buffer was read.
PE	10	r	Phase Error Flag 0 _B No error. 1 _B Received data changes around sampling clock edge.
BE	11	r	Baud Rate Error Flag 0 _B No error. 1 _B More than factor 2 or 0.5 between slave's actual and expected baud rate.
BSY	12	rh	Busy Flag Set while a transfer is in progress. <i>Note: This bit is not to be written to.</i>
Res	13	r	Reserved Returns 0 if read; should be written with 0.
MS	14	rw	Master Select Bit 0 _B Slave Mode. Operate on shift clock received via SCLK. 1 _B Master Mode. Generate shift clock and output it via SCLK.
EN	15	rw	Enable Bit = 1 Transmission and reception enabled. Access to status flags and M/S control. <i>Note: The effect of EN bit becomes visible on the next write to the CON register.</i>

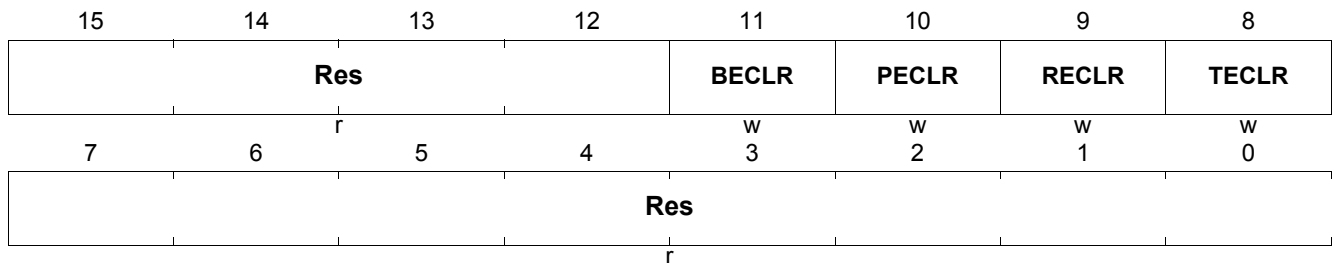
High-Speed Synchronous Serial Interface (SSC1/SSC2)

ISRCLR

Interrupt Status Register Clear

(14_H)

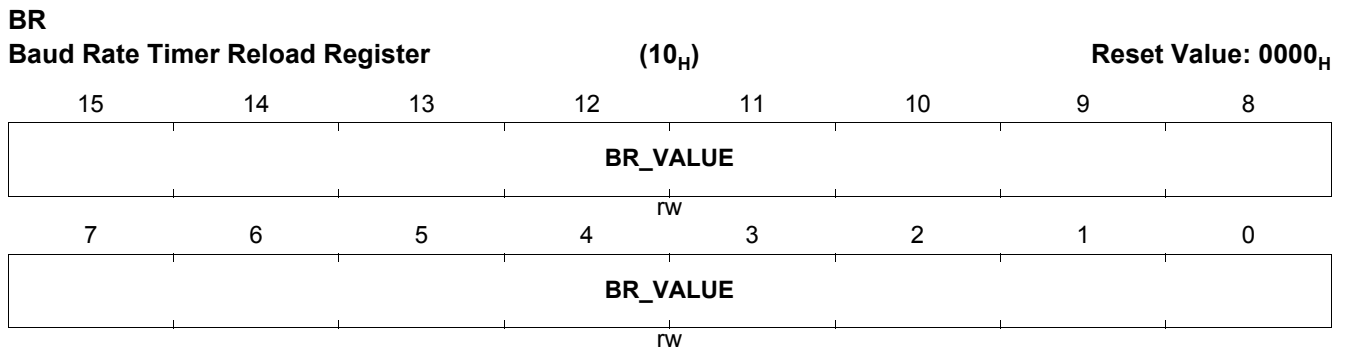
Reset Value: 0000_H



Field	Bits	Type	Description
Res	7:0	r	Reserved Returns 0 if read; should be written with 0.
TECLR	8	w	Transmit Error Flag Clear 0 _B No error clear. 1 _B Error clear.
RECLR	9	w	Receive Error Flag Clear 0 _B No error clear. 1 _B Error clear.
PECLR	10	w	Phase Error Flag Clear 0 _B No error clear. 1 _B Error clear.
BECLR	11	w	Baud Rate Error Flag Clear 0 _B No error clear. 1 _B Error clear.
Res	15:12	r	Reserved Returns 0 if read; should be written with 0.

21.6.3 Baud Rate Timer Reload Register

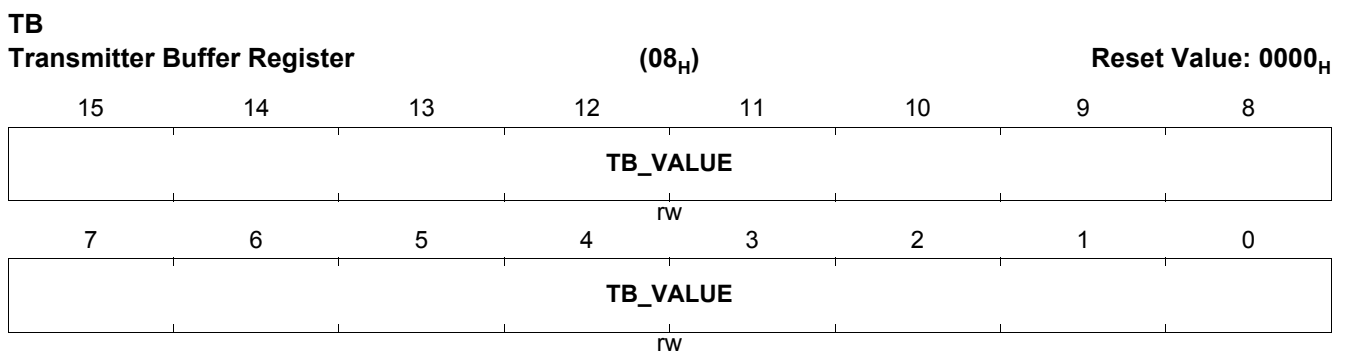
The SSC baud rate timer reload register BR contains the 16-bit reload value for the baud rate timer.



Field	Bits	Type	Description
BR_VALUE	15:0	rw	Baud Rate Timer/Reload Register Value Reading BR returns the 16-bit contents of the baud rate timer. Writing BR loads the baud rate timer reload register with BR_VALUE. Never write to BR while the SSC is enabled via CON.EN = 1.

21.6.4 Transmitter Buffer Register

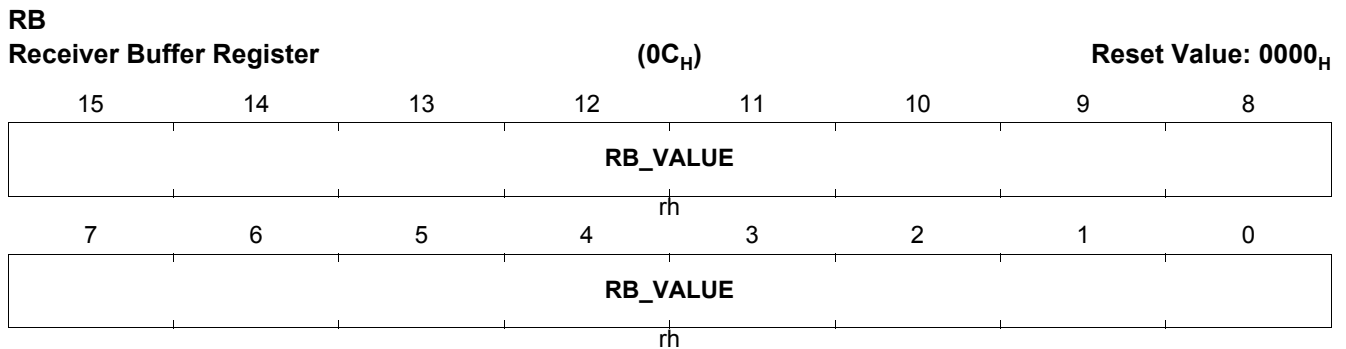
The SSC transmitter buffer register TB contains the transmit data value.



Field	Bits	Type	Description
TB_VALUE	15:0	rw	Transmit Data Register Value TB_VALUE is the data value to be transmitted. Unselected bits of TB are ignored during transmission.

21.6.5 Receiver Buffer Register

The SSC receiver buffer register RB contains the receive data value.



Field	Bits	Type	Description
RB_VALUE	15:0	rh	Receive Data Register Value RB contains the received data value RB_VALUE. Unselected bits of RB will be not valid and should be ignored.

21.6.6 Register Map

There are two SSC kernels in the TLE9868QXB20, namely SSC1 and SSC2. [Table 133](#) shows the SSC module base addresses.

[Table 134](#) lists the addresses of the SSC SFRs.

Table 133 Registers Address Space

Module	Base Address	End Address	Note
SSC1	48024000 _H	48025FFF _H	
SSC2	48026000 _H	48027FFF _H	

Table 134 Registers Overview SSC

Register Short Name	Register Long Name	Offset Address	Page Number
PISEL	Port Input Select Register	00 _H	572
CON	Control Register	04 _H	573
TB	Transmitter Buffer Register	08 _H	577
RB	Receiver Buffer Register	0C _H	578
BR	Baud Rate Timer Reload Register	10 _H	577
ISRCLR	Interrupt Status Clear Register	14 _H	576

22 Measurement Unit

22.1 Features

- 1 x 8-bit ADC with 10 Inputs including attenuator allowing measurement of high voltage input signals
- Supply Voltage Attenuators with attenuation of **VBAT_SENSE**, **VS**, **VDDP** and **VDDC**.
- VBG monitoring of 8-bit ADC to guarantee functional safety requirements.
- Bridge Driver Diagnosis Measurement (VDH, VCP).
- Temperature Sensor for monitoring the chip temperature and PMU Regulator temperature.
- Supplement Block with Reference Voltage Generation, Bias Current Generation, Voltage Buffer for NVM Reference Voltage, Voltage Buffer for Analog Module Reference Voltage and Test Interface.

22.2 Introduction

The measurement unit is a functional unit that comprises the following associated sub-modules:

Table 135 Measurement Functions and Associated Modules

Module Name	Modules	Functions
Central Functions Unit	Bandgap reference circuit	The bandgap-reference sub-module provides two reference voltages 1. a trimmable reference voltage for the 8-bit ADCs. A local dedicated bandgap circuit is implemented to avoid deterioration of the reference voltage arising e.g. from crosstalk or ground voltage shift. 2. the reference voltage for the NVM module
8-bit ADC (ADC2)	8-bit ADC module with 10 multiplexed inputs, including HV input attenuator	5 high voltage full supply range capable inputs (2.5V...30,7V(FS)) 2 medium voltage inputs (0..5V/7V FS). 3 low voltage inputs (0..1.2V/1.6V FS) (allocation see following overview figure)
10-bit ADC (ADC1)	10-bit ADC module with 8 multiplexed inputs	Five (5V) analog inputs from Port 2.x
14 Bit ADCs (ADC3, ADC4)	14 Bit Sigma Delta ADC module	Two differential analog inputs from Port 2.x
VDH Input Voltage Attenuator	VDH input voltage attenuator	Scales down V(VDH) to the input voltage range of ADC1.CH6
Temperature Sensor	Temperature sensor with two multiplexed sensing elements: <ul style="list-style-type: none"> • PMU located sensor • Central chip located sensor 	Generates output voltage which is a linear function of the local chip (junction) temperature.
Measurement Core Module	Digital signal processing and ADC2 control unit	1. Generates the control signal for the 8-bit ADC2 and the synchronous clock for the switched capacitor circuits, 2. Performs digital signal processing functions and provides status outputs for interrupt generation.

22.2.1 Block Diagram

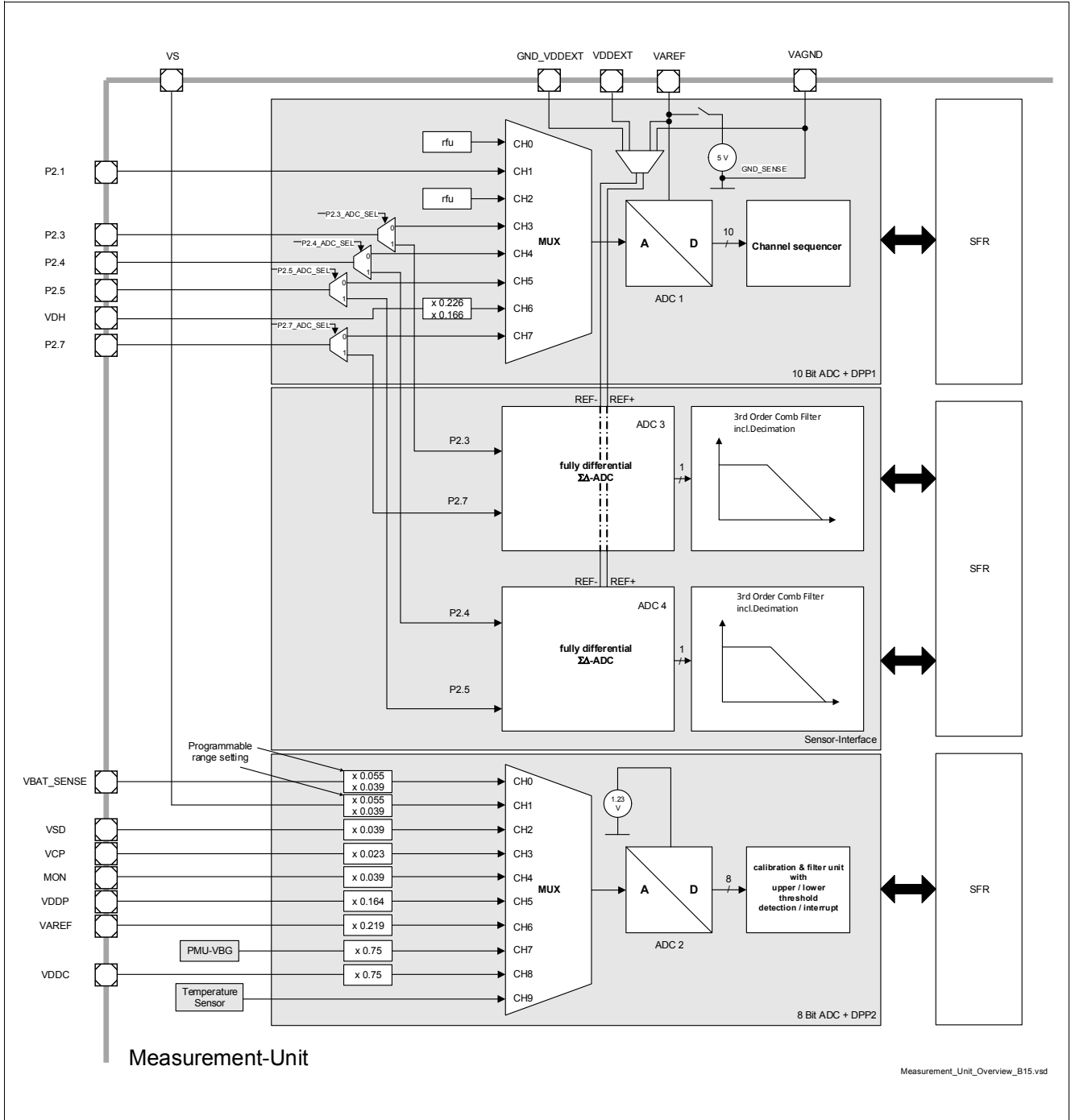


Figure 170 TLE9868QXB20 Measurement Unit-Overview

22.2.2 Measurement Unit Register Overview

All registers of blocks that belong to the measurement unit are mapped to base address see below.

Table 136 Register Address Space for Measurement Unit Registers

Module	Base Address	End Address	Note
MF	48018000 _H	4801BFFF _H	Measurement Unit

Table 137 Register Overview

Register Short Name	Register Long Name	Offset Address	Reset Value
Port 2 ADC Selection Register			
P2_ADCSEL_CTRL	Port 2 ADC Selection Control Register	00 _H	0000 0000 _H
Temperature Sensor Control Register			
TEMPSENSE_CTRL	Temperature Sensor Control Register	10 _H	0000 0003 _H
Supplement Modules Control and Status Register			
REF1_STS	Reference 1 Status Register	14 _H	0000 00C1 _H
REF2_CTRL	Reference 2 Control Register	18 _H	0000 0001 _H

The registers are addressed wordwise.

22.3 8-bit - 10 Channel ADC Core (ADC2)

The 8-bit ADC Core operates at the VDDC Supply Voltage. This enables the user to operate the measurement system down to VS reset threshold. The ADC can also be operated independently from the DPP (Data Post Processing) unit. This enables the user to build up a software controlled measurement cycle. The main features of the 8-bit ADC core are listed below.

Module Features

- Conversion time = 15 system clock cycles.
- programmable sampling time (4 to 22 MICLK cycles, default: 18 MI_CLK periods)
- Scalable clock frequency from 10 - 30 MHz.

The ADC2 is controlled in two different ways by the control module DPP2:

- Fully controlled by the sequencer inside DPP2.
- Partly controlled by the user within defined timeslots of Sequencer (EIM, Exceptional Interrupt Measurement)

22.3.1 8-bit ADC Channel Allocation

The allocation of the 10 Channels of ADC2 is sketched below:

ADC2 Channel Assignment:

- VBAT_SENSE Pin Voltage Measurement.
- VS Pin Voltage Measurement.
- VSD Pin Voltage Measurement.
- Charge Pump Output Voltage (VCP).
- VDDP Pin Voltage Measurement.
- ADC1 Reference Voltage Check (VAREF).
- ADC2 Reference Voltage Check (VBG).
- VDDC Pin Voltage Measurement.
- Device Temperature Measurement (T_j).

22.3.2 Transfer Characteristics of ADC2

The transfer function of ADC2 can be expressed by the equation below:

$$ADC2_{out} = \text{floor} \left(\frac{V_{inCHx} * Gain_{CHx}}{V_{LSB}} + 1 \right) \tag{15}$$

where V_{in} is the input voltage and $Gain_{CHx}$ the individual Channel Gain. The LSB Voltage is calculated:

$$V_{LSB} = \frac{V_{BG}}{2^8 - 1} = \frac{1.227V}{255} = 4.81mV \tag{16}$$

where V_{BG} is **1.227 V @ 27 °C**. With $V_{BG} = 1.227$ we get $V_{lsb} = 4.81 mV$:

A detailed specification of both A/D-converters is given in Chapter **Electrical Characteristics in the Data Sheet**. The attenuation for each channel can be found in the table included in the following chapter.

22.3.3 Detailed ADC2 Measurement Channel Description

Table 138 ADC2 Channel Selection and Voltage Ranges

Channel #	Measurement Input Pin	Attenuation	Settings	Vin_FS [V] @Vbg=1.23V	Resolution [mV]	Input Voltage Range	Note
0	VBAT_SENSE	0.0547	CRTL_STS.VBA T_RANGE = '1'	22.49	88	2.4V to FS	
		0.0391	CRTL_STS.VBA T_RANGE = '0'	31.49	123	2.4V to FS	–
1	VS	0.0547	CRTL_STS.VS_ RANGE = '0'	22.49	88	2.4V to FS	–
		0.0391	CRTL_STS.VS_ RANGE = '1'	31.49	123	2.4V to FS	–
2	VSD	0.0391	–	31.49	123	2.4V to FS	Charge pump supply voltage

Table 138 ADC2 Channel Selection and Voltage Ranges (cont'd)

Channel #	Measurement Input Pin	Attenuation	Settings	Vin_FS [V] @Vbg=1.23V	Resolution [mV]	Input Voltage Range	Note
3	VCP	0.0234	–	52.48	205	2.4V to FS	Charge pump output voltage
4	VMON	0.0391	–	31.49	123	2.4V to FS	
5	VDDP	0.1640		7.50	29	0V to FS	–
6	VAREF	0.2188		5.62	22	0V to FS	–
7	VBG	0.75	–	1.64	6	0.6V to FS	
8	VDDC	0.75	–	1.64	6	0.6V to FS	–
9	TEMP	1	–	1.23	5	0.6V to FS	–

22.3.4 8-bit - 10 Channel Control Registers

The ADC2 control registers are located in the **Measurement Core Module** Block (see [Chapter 23](#)). Also the configurable attenuator factors are located there (see register CTRL_STS).

22.3.5 Port 2 ADC Selection Register

Table 139 Register Overview

Register Short Name	Register Long Name	Offset Address	Reset Value
Port 2 ADC Selection Register			
P2_ADCSEL_CTRL	Port 2 ADC Selection Control Register	00 _H	0000 0000 _H

The registers are addressed byte-wise.

Measurement Unit

Field	Bits	Type	Description
P2_3_ADC_SEL	2	rw	Port 2.3 Input Selection 0 _B ADC10B Port 2.3 is connected to Channel 3 of ADC10B 1 _B ADC3
Res	1:0	r	Reserved Always read as 0x

22.4 VDH Input Voltage Attenuator

22.4.1 Functional Description

The function of the VDH voltage attenuator is to scale down the applied voltage on the VDH pin for the on-chip 10-Bit ADC. The voltage attenuator has the following features:

Features

- Two selectable attenuation factors: **0.226 for a range between 0 and 22V** and **0.167 for a range between 0 and 30V**
- Analog Mux switching time < 30 μ s
- Input resistance: > 200 k Ω

Note: External series resistor affects measurement resolution accuracy by changing the internal attenuation factor.

The next chapter lists the user configuration possibilities of the VDH input voltage attenuators.

Note: **It is important to disable the VDH attenuator before entering . Otherwise an increased system current consumption can be observed.**

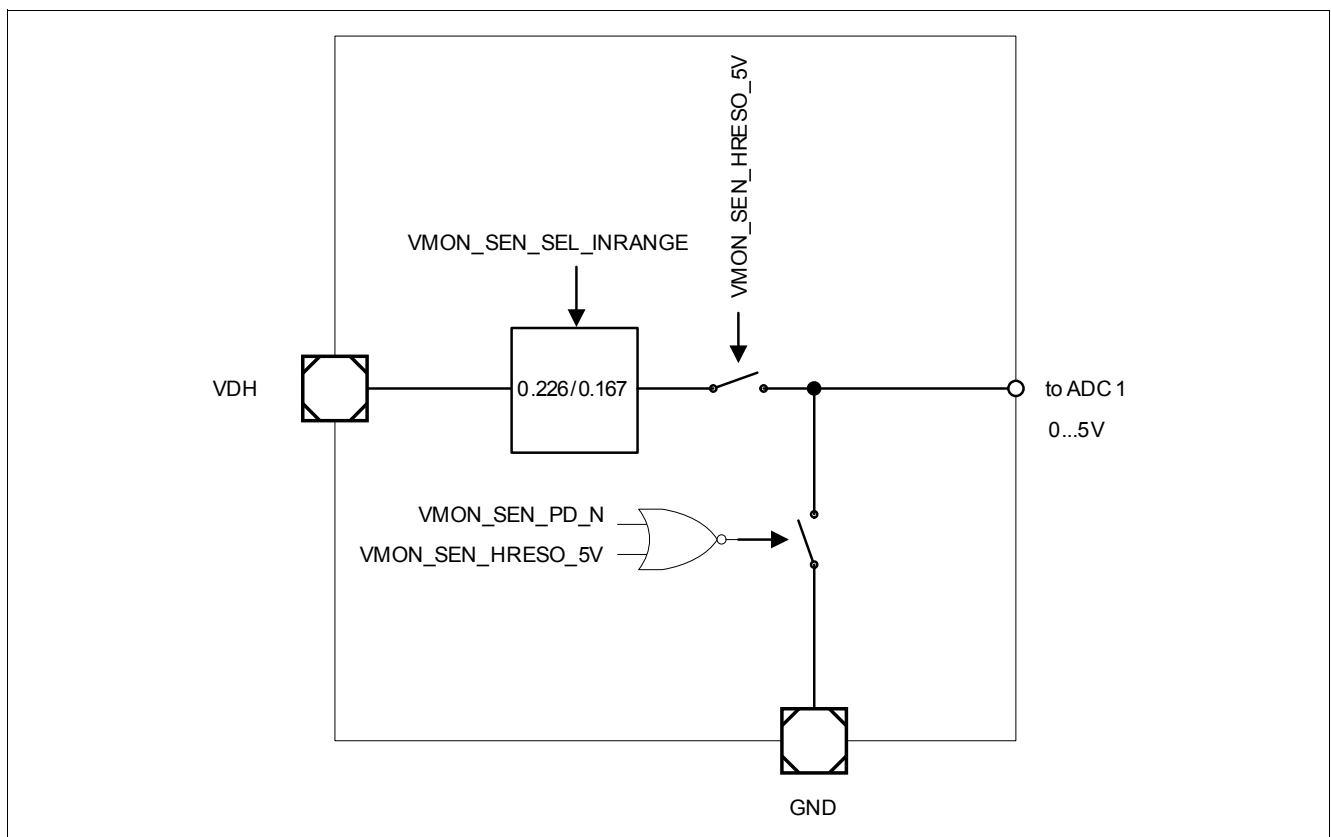


Figure 171 Input Structure of HV-VDH Attenuator

22.4.2 VDH Input Attenuator Control Register

Table 140 Register Overview

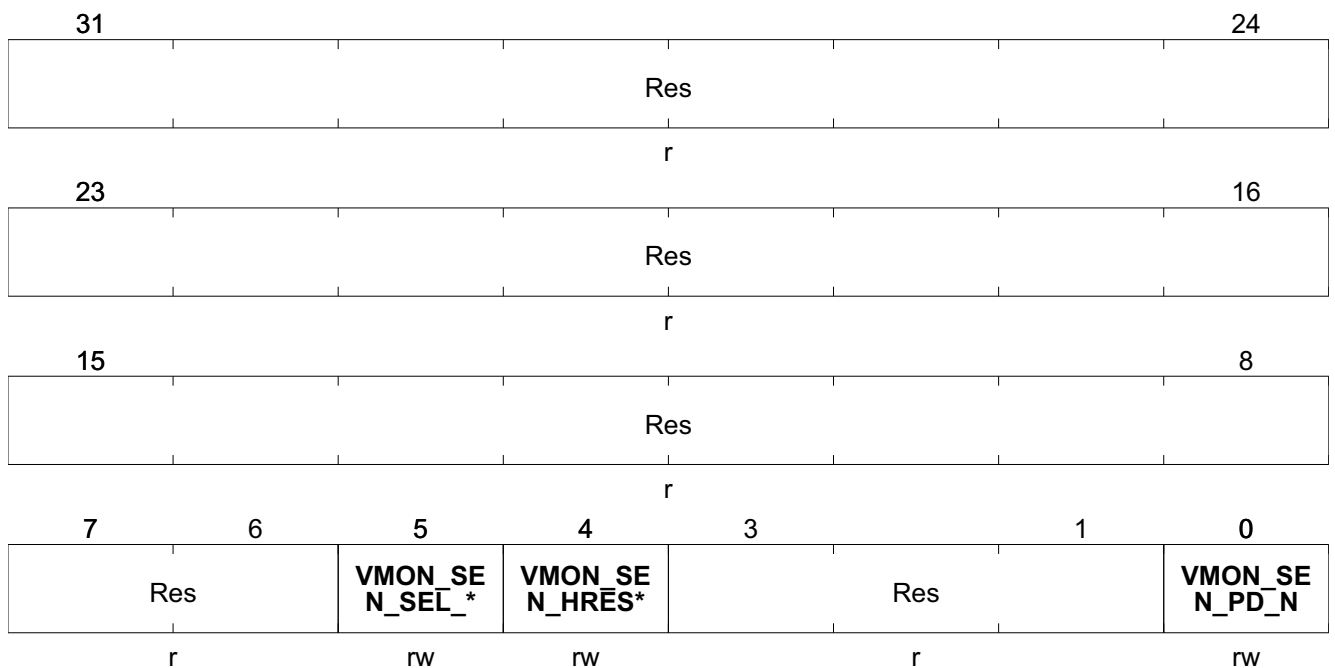
Register Short Name	Register Long Name	Offset Address	Reset Value
VDH Input Attenuator Control Register			
VMON_SEN_CTRL	Monitoring Supply Sense Control Register	04 _H	0000 0000 _H

The registers are addressed bitwise.

VDH Monitoring Input Sense Control Register

The register is reset by RESET_TYPE_3.

VMON_SEN_CTRL	Offset	Reset Value
Monitoring Sense Control Register	04_H	0000 0000_H



Field	Bits	Type	Description
Res	31:6	r	Reserved Always read as 0x
VMON_SEN_SEL_INRANGE	5	rw	VDH Monitoring Input Attenuator Select Input Range 0 _B 0 - 18V Range is selected 1 _B 0 - 28V Range is selected
VMON_SEN_HRESO_5V	4	rw	VDH Monitoring Input Attenuator High Impedance Output Control 0 _B Attenuator Output Enable Connection to ADC input low ohmic 1 _B Attenuator Output Disable Connection to ADC input high ohmic

Measurement Unit

Field	Bits	Type	Description
Res	3:1	r	Reserved Always read as 0x
VMON_SEN_PD_N	0	rw	VDH Monitoring Input Attenuator enable 0 _B DISABLE Attenuator switched off 1 _B ENABLE Attenuator switched on

22.5 Central and PMU Regulator Temperature Sensor

22.5.1 Functional Description

This module is a quasi combination of a main on-chip temperature sensor and a PMU Regulator temperature sensor.

Modules Features

- Temperature range -40 ... 175°C
- Temperature range corresponds to single ended output voltage range 0.6 ... 1.2V, resolution approx. 1.8°C
- The combined system temperature sensor plus ADC can be calibrated in software using calibration figures that are stored in the NVM at the production test.
- A dedicated calibration transistor facilitates on-chip reference temperature measurement. Hardware trimming is not implemented.

This temperature sensor, including two sensing elements, monitors the chip temperature (T_j) and PMU Regulator temperature. One sensing element is placed in the centre of the device to get the average device temperature status and the other sensing element is close to the PMU Regulator.

The ADC output value is given by:

$$ADC2_{out} = \text{floor} \left(\frac{V_{Temp}}{V_{LSB}} + 1 \right) \quad (17)$$

The LSB Voltage is calculated:

$$V_{LSB} = \frac{V_{BG}}{2^8 - 1} = \frac{1.227V}{255} = 4.81mV \quad (18)$$

Vtemp is the direct proportional to temperature input voltage and is calculated by:

$$V_{TEMP}(T) = a + b * (T - T_0) \quad (19)$$

where **the coefficient a is 666 mV, b is 2,31 mV/K and T_0 is 273 K.**

The next chapter lists the available registers to configure temperature sensors.

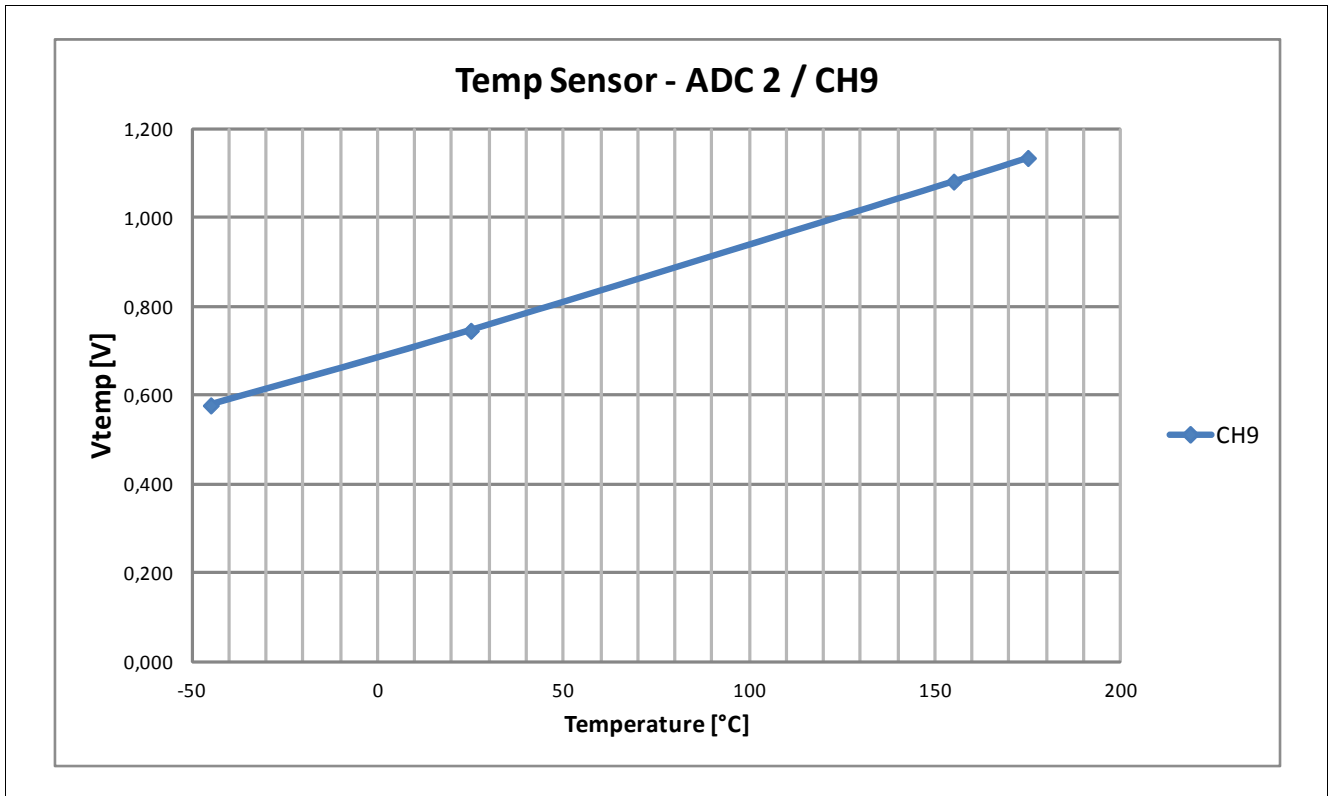


Figure 172 Measured Characteristic of On Chip Temperature Sensor

22.5.2 Temperature Sensor Control Register

The Temperature Sensor is fully controllable by the below listed SFR Register.

Table 141 Register Overview

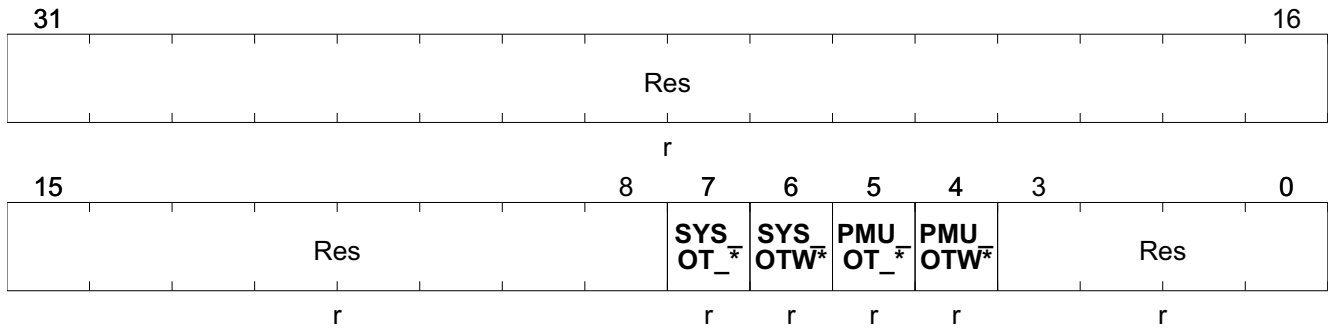
Register Short Name	Register Long Name	Offset Address	Reset Value
Temperature Sensor Control Register			
TEMPSENSE_CTRL	Temperature Sensor Control Register	10 _H	0000 0003 _H

The registers are addressed bitwise.

Temperature Sensor Control Register

The register is reset by RESET_TYPE_3.

TEMPSENSE_CTRL	Offset	Reset Value
Temperature Sensor Control Register	10 _H	0000 0003 _H



Field	Bits	Type	Description
Res	31:8	r	Reserved Always read as 0
SYS_OT_STS	7	r	System Overtemperature (ADC2-Channel 9) Status 0 _B INACTIVE write clears status 1 _B ACTIVE interrupt status set
SYS_OTWARN_STS	6	r	System Overtemperature Warning (ADC2-Channel 9) Status 0 _B INACTIVE write clears status 1 _B ACTIVE interrupt status set
PMU_OT_STS	5	r	PMU Regulator Overtemperature (ADC2-Channel 9) Status 0 _B INACTIVE write clears status 1 _B ACTIVE interrupt status set
PMU_OTWARN_STS	4	r	PMU Regulator Overtemperature Warning (ADC2-Channel 9) Status 0 _B INACTIVE write clears status 1 _B ACTIVE interrupt status set
Res	3:0	r	Reserved Always read as 0

22.6 Supplement Modules

22.6.1 Functional Description

The purpose of the supplement modules is to enable a certain infrastructure on the device to guarantee a fail safe operation:

Module Features

- Bandgap Reference Voltage with accuracy $\pm 1.5\%$ over complete temperature range.
- Bandgap is monitored by an independent reference voltage.
- ADC1 Reference with accuracy $\pm 1\%$.
- ADC1 Reference has overload detection.

22.6.1.1 ADC2 Functional Safety Feature

ADC2 offers a functional safety feature, which allows to monitor the consistency of ADC2 results. The channel 7 of ADC2 monitors a voltage which is generated by a resistor of 26.66k and a 40 μA current. This 40 μA current is generated by a similar second resistor and a voltage, which is a second independent reference voltage in the system.

The root cause for a code change of channel 7 of ADC2 can only be explained by a ADC2 reference voltage variation. This feature can be used to validate the reference voltage of ADC2 and the results of the conversion.

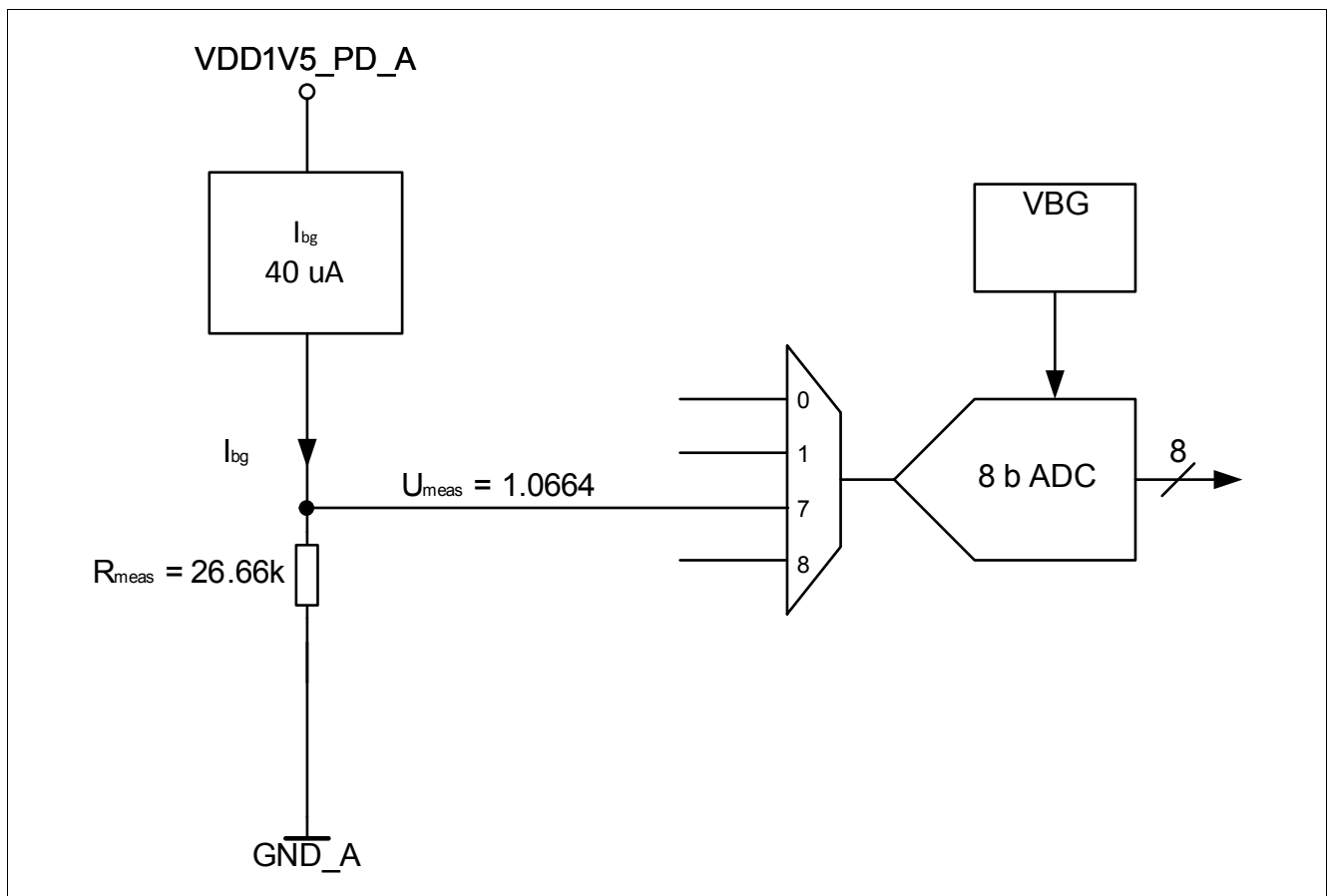


Figure 173 Principle of ADC2 functional safety feature

22.6.2 Supplement Modules Control and Status Register

The next chapter lists the diagnosis and configuration possibilities of the supplement modules.

Table 142 Register Overview

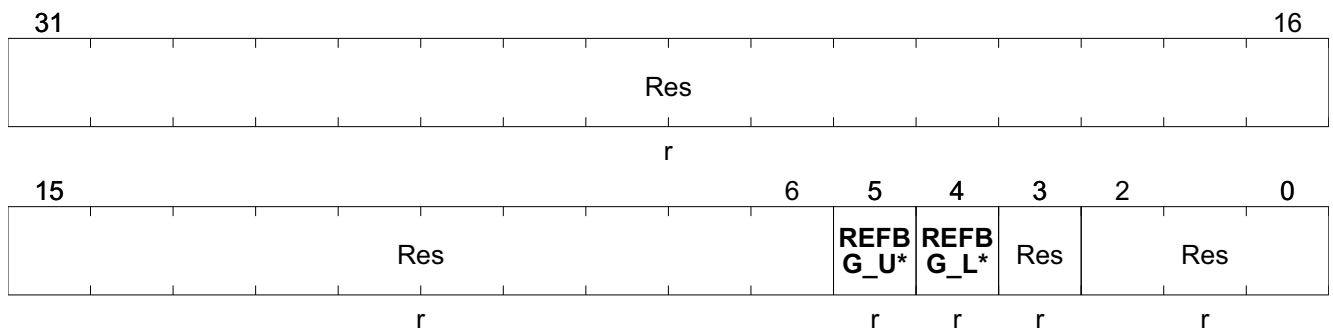
Register Short Name	Register Long Name	Offset Address	Reset Value
Supplement Modules Control and Status Register			
REF1_STS	Reference 1 Status Register	14 _H	0000 00C1 _H
REF2_CTRL	Reference 2 Control Register	18 _H	0000 0001 _H

The registers are addressed byte-wise.

Reference 1 Status Register

The register is reset by RESET_TYPE_3.

REF1_STS	Offset	Reset Value
Reference 1 Status Register	14 _H	0000 00C1 _H

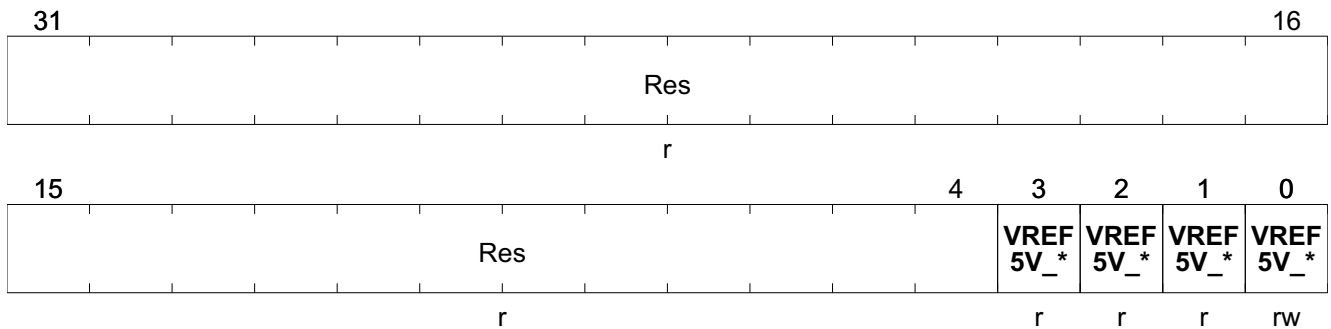


Field	Bits	Type	Description
Res	31:6	r	Reserved Always read as 0000003 _H
REFBG_UPTHWARN_ST S	5	r	Status for Overvoltage Threshold Measurement of internal bandgap reference VBG 0 _B UPPER_TRIG_RESET write clears status 1 _B UPPER_TRIG_SET trigger status set
REFBG_LOTHWARN_ST S	4	r	Status for Undervoltage Threshold Measurement of internal bandgap reference VBG 0 _B UPPER_TRIG_RESET write clears status 1 _B UPPER_TRIG_SET trigger status set
Res	3	r	Reserved Always read as 0
Res	2:0	r	Reserved Always read as x00 _B

Reference 2 Control Register

The register is reset by RESET_TYPE_3.

REF2_CTRL	Offset	Reset Value
Reference 2 Control Register	18 _H	0000 0001 _H



Field	Bits	Type	Description
Res	31:4	r	Reserved Always read as 1
VREF5V_OV_STS	3	r	ADC1 Bit Reference Voltage Generation Overvoltage Bit 0 _B no Overvoltage no Overvoltage detected 1 _B Overvoltage Overvoltage detected
VREF5V_UV_STS	2	r	ADC1 Bit Reference Voltage Generation Undervoltage Bit 0 _B no Undervoltage no Undervoltage detected 1 _B Undervoltage Undervoltage detected
VREF5V_OVL_STS	1	r	ADC1 Bit Reference Voltage Generation Over Load Bit 0 _B no OVERLOAD no OVERLOAD detected 1 _B OVERLOAD OVERLOAD detected
VREF5V_PD_N	0	rw	ADC1 Bit Reference Voltage Generation Power Down Bit 0 _B DISABLED Power Down 1 _B ACTIVE no Power Down

Re-enabling of VAREF

In order to reenble VAREF, the VAREF enable flag hast to be cleared, MF->[REF2_CTRL.VREF5V_PD_N](#) = 0. Then the status flags should be cleared, VREF5V_LOWTH_ICLR, VREF5V_UPTH_ICLR and VREF5V_OVL_ICLR in the register SCUPM->[SYS_ISCLR](#). After that reenble VAREF by setting MF->[REF2_CTRL.VREF5V_PD_N](#) = 1.

23 Measurement Core Module (incl. ADC2)

23.1 Features

- 8 individually programmable channels split into two groups of user configurable and non user configurable
- Individually programmable channel prioritization scheme for measurement unit
- Two independent filter stages with programmable low-pass and time filter characteristics for each channel
- Two channel configurations:
 - Programmable upper- and lower trigger thresholds comprising a fully programmable hysteresis
 - Two individually programmable trigger thresholds with limit hysteresis settings
- Individually programmable interrupts and statuses for all channel thresholds

23.2 Introduction

The basic function of this block is the digital postprocessing of several analog digitized measurement signals by means of filtering, level comparison and interrupt generation. The measurement postprocessing block consists of ten identical channel units attached to the outputs of the 10-channel 8-bit ADC (ADC2). It processes ten channels, where the channel sequence and prioritization is programmable within a wide range.

23.2.1 Block Diagram

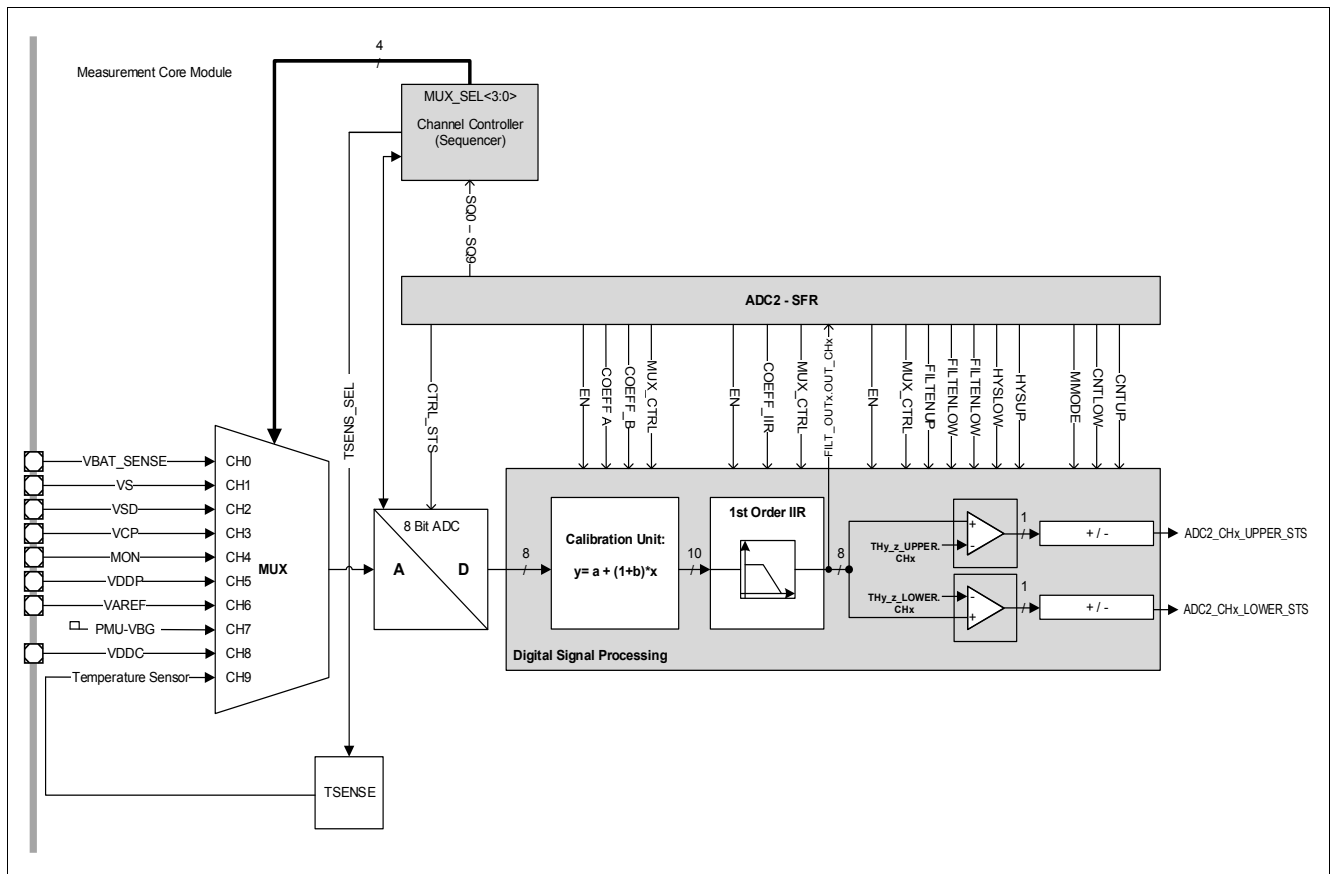


Figure 174 Module Block Diagram

23.2.2 Measurement Core Module Modes Overview

The basic function of this unit, is the digital signal processing of several analog digitized measurement signals by means of filtering, level comparison and interrupt generation. The Measurement Core module processes ten channels in a quasi parallel process.

As shown in the figure above, the ADC2 postprocessing unit consists of a channel controller (Sequencer), an 10-channel demultiplexer and the signal processing block, which filters and compares the sampled ADC2 values for each channel individually. The channel control block controls the multiplexer sequencing on the analog side before the ADC2 and on the digital domain after the ADC2. As described in the following section, the channel sequence can be controlled in a flexible way, which allows a certain degree of channel prioritization.

This capability can be used e.g. to set a higher priority to supply voltage channels compared to the other channel measurements. The Measurement Core Module offers additionally two different post-processing measurement modes for over-/undervoltage detection and for two-level threshold detection.

Usually the external register settings should only be changed during the start-up phase of the postprocessing module. Otherwise the signal processing might be disturbed.

The channel controller (sequencer) runs in one of the following modes:

“Normal Sequencer Mode” – channels are selected according to the 10 sequence registers which contain individual enablers for each of the 10 channels.

“Exceptional Interrupt Measurement” – following a hardware event , a high priority channel is inserted into the current sequence. The current actual measurement is not destroyed.

“Exceptional Sequence Measurement” – following a hardware event, a complete sequence is inserted after the current measurement is finished. The current sequence is interrupted by the exception sequence.

The threshold counter can be bypassed [FILT_UP_CTRL](#) and [FILT_LO_CTRL](#).

23.3 ADC2 - Core (8-bit ADC)

23.3.1 Functional Description

The different sequencer modes are controlled by SFR Register:

- “Normal Sequencer Mode” described in the Chapter [Channel Controller](#).
- “Exceptional Interrupt Measurement” (EIM), upon hardware event , the channel programmed in [CHx_EIM](#) is inserted after the current measurement is finished. Afterwards the current sequence will be continued with the next measurement from the current sequence.
- “Exceptional Sequence Measurement” (ESM), upon hardware event , the sequence programmed in [CHx_ESM](#) is inserted after the current measurement is finished. After the sequence (up to 10 measurements) exception is finished the next measurement from the interrupted sequence is selected. After the Exceptional Sequence Measurement is finished an interrupt is issued.

Debug Suspend Mode:

During Debug Suspend Mode the Sequencer is stopped once the current measurement is finished (after the next EOC event). As long as the Debug Suspend Mode is active no measurements are performed by the Sequencer. Once the Debug Suspend Mode is left, the Sequencer continues immediately with the next pending measurement.

Measurements can be still triggered in Debug Suspend Mode. EIM and ESM events are ignored during Debug Suspend Mode.

The ADC2 timing is controlled by SFR Register (Special Function Register)

- Sample time adjustment described in the register [CTRL2](#).

23.3.2 ADC2 Control Registers

The ADC2 is fully controllable by the below listed SFR Registers. The control must be enabled by setting all sequencer bits to zero. To enable the sequencer again this corresponding bits in the sequencer register must be set to one again.

[Table 143](#) shows the module base addresses.

Table 143 Register Address Space

Module	Base Address	End Address	Note
ADC2	4801C000 _H	4801DFFF _H	ADC2 - ADC-SAR8B

Table 144 Register Overview

Register Short Name	Register Long Name	Offset Address	Reset Value
ADC2 Control Registers			
CTRL_STS	ADC2 Control and Status Register	00 _H	0000 0001 _H
HV_STS	ADC2 HV Status Register	BC _H	0000 0000 _H

The registers are addressed wordwise.

ADC2 Control and Status Register

The register is reset by RESET_TYPE_3.

CTRL_STS	Offset	Reset Value
ADC2 Control and Status Register	00_H	0000 0001_H

Field	Bits	Type	Description
RES	31:19	r	Reserved Always read as 0
RES	18	r	Reserved Always read as 0
VS_RANGE	17	rw	ADC2 Channel 1 Range Selection <i>Note: changing this bit during ADC conversion might change the conversion results to a wrong value</i> 0 _B Range 1 Range from 3 to 22 V is selected 1 _B Range 2 Range from 3 to 28 V is selected

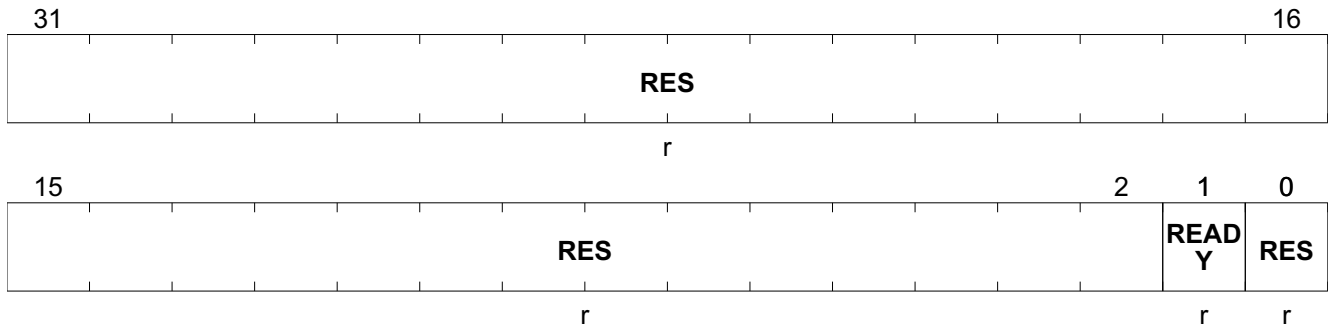
Measurement Core Module (incl. ADC2)

Field	Bits	Type	Description
VBAT_RANGE	16	rw	ADC2 Channel 0 Range Selection <i>Note: changing this bit during ADC conversion might change the conversion results to a wrong value</i> 0 _B Range 1 Range from 3 to 22 V is selected 1 _B Range 2 Range from 3 to 28 V is selected
RES	15:13	r	Reserved Always read as 0
RES	12:8	r	Reserved Always read as 0
RES	7:4	r	Reserved Always read as 0
RES	3:2	r	Reserved Always read as 0
RES	1	r	Reserved Always read as 0
RES	0	r	Reserved Always read as 1

ADC2 HV Status Register

The register is reset by RESET_TYPE_3.

HV_STS	Offset	Reset Value
ADC2 HV Status Register	BC _H	0000 0000 _H



Field	Bits	Type	Description
RES	31:2	r	Reserved Always read as 0
READY	1	r	HV ADC Ready bit 0 _B Not ready Module in power down or in init phase 1 _B Ready set automatically 5 ADC clock cycles after module is enabled
RES	0	r	Reserved Always read as 0

23.4 Channel Controller

23.4.1 Functional Description

The task of channel controller is a prioritization of the individual measurement channels. The sequencing scheme is illustrated in the example of following table and can be programmed.

Table 145 Measurement channel sequence definition example (used as default sequence)

Measurement channel n SQ' _z = {SQ' _{x_y} _int[3:0], SQ' _z [5:0]}	MSB CH9	CH8	CH7	CH6	CH5	CH4	CH3	CH2	CH1	LSB CH0
Registers SQ' ₁ [9:0]	1	0	1	1	1	1	0	1	1	1
Registers SQ' ₂ [9:0]	0	1	1	1	1	0	1	0	0	0
Registers SQ' ₃ [9:0]	1	0	1	1	1	1	0	1	1	0
Registers SQ' ₄ [9:0]	0	1	1	1	1	0	1	0	0	1
Registers SQ' ₅ [9:0]	1	0	1	1	1	1	0	1	1	0
Registers SQ' ₆ [9:0]	0	1	1	1	1	0	1	0	0	0
Registers SQ' ₇ [9:0]	1	0	1	1	1	1	0	1	1	1
Registers SQ' ₈ [9:0]	0	1	1	1	1	0	1	0	0	0

Table 145 Measurement channel sequence definition example (used as default sequence) (cont'd)

Measurement channel n SQ'_z = {SQ'_x_y_int[3:0], SQ'_z[5:0]}	MSB CH9	CH8	CH7	CH6	CH5	CH4	CH3	CH2	CH1	LSB CH0
Registers SQ'_9[9:0]	1	0	1	1	1	1	0	1	1	0
Registers SQ'_10[9:0]	0	1	1	1	1	0	1	0	0	1

The sequence registers SQ_n and SQ_n_int define the time sequence of the measurement channels by the following rules:

- The sequence registers define the measurement sequence and are evaluated from register 1 to 10 and for each register from MSB to LSB, which defines a max. overall measurement periodicity of 100 sampling and conversion cycles.
- If the individual bit in the sequence register is set to '1', the corresponding channel is measured.
- If the individual bit in the sequence register is set to '0', the corresponding channel is skipped.

In the upper example, the resulting channel sequence is defined as:

CH9, CH7, CH6, CH5, CH4, CH2, CH1, CH0, CH8, CH7, CH6, CH5, CH3,....., CH8, CH7, CH6, CH5, CH3, CH0

In TLE9868QXB20 Channels 0 - 5 can be fully programmed. Several Sequence registers, especially for channels 6-9, are protected to ensure a fast update of measurement results used for internal diagnosis. Hence the channels 6 and 7 are prioritized and are measured more often, the overall periodicity is mainly determined by these two channels. The channels 0-5 are measured depending on the amount of '1' bits, written in the sequence registers. The following equations can be used to calculate the periodicity of the required channel measurement.

The total number of measurement done by the sequencer in a complete run-through expressed in A/D conversion cycles is defined as:

(20)

$$N_{\text{meas}} = \sum_{m=1}^{10} \left(\sum_{n=1}^{10} SQ'_m[n] \right)$$

The average measurement periodicity of channel n in A/D conversion cycles is defined as:

(21)

$$T_{\text{meas}, n} = \frac{\left(\sum_{m=1}^{10} SQ'_m[n] \right)}{T_{\text{meas}}}$$

Where T_{meas} is defined as:

(22)

$$T_{\text{meas}} = N_{\text{meas}} * (T_{\text{samp}, n} * T_{\text{conv}})$$

N_{meas} is the number of measurements programmed in the SQ' registers, T_{samp,n} is the sampling time setting for channel n and T_{conv} is the ADC2 conversion time.

The timing of the analog MUX and the digital DEMUX is controlled by the channel controller accordingly. The analog MUX with sample and hold stage needs one clock cycle for channel switching and the ADC consumes, as default setting, 12 clock cycles for the sampling of the input voltage. The conversion time for a single channel measurement value is 10 clock cycles.

As already mentioned above, the channel controller has a partly fixed sequence register setting which cannot be changed by the user. The fixed register setting is needed, to fulfill the sampling frequency requirements of the internal circuits, e.g. shutdown in case of overtemperature and protection for the bridge drivers (BDRV).

The minimum measurement periodicity, which can be achieved, by enabling only channel 1 in the sequence registers, depends on the MI_CLK frequency and is given by:

(23)

$$T_{\text{meas_CH1_min}} = \frac{32}{f_{\text{MI_CLK}}}$$

This following calculations include already the sampling time of ADC2. If all programmable channels are enabled, the maximum periodicity is calculated:

(24)

$$T_{\text{meas_CH1_max}} = \frac{320}{f_{\text{MI_CLK}}}$$

For a MI_CLK frequency of 24 MHz, the channel 1 is measured with min. 4 μs. The maximum update time of channel 1 with 24 MHz clock frequency is 10 μs. As mentioned before, this is calculated with the assumption, that all channels are enabled and channel1 is enabled in every sequence register. As a prerequisite for this calculation we take CTRL2 = 5 (sample period = 14 MI_CLK clock cycles).

23.4.2 Channel Controller Control Registers

The Channel Controller can be configured by the registers listed in [Table 146](#). The registers which cannot be written by the user have the attribute **rwp**. Those registers are:

[SQ1_8_int](#),
[SQ9_10_int](#)

Table 146 Register Overview

Register Short Name	Register Long Name	Offset Address	Reset Value
Channel Controller Control Registers			
SQ_FB	Sequencer Feedback Register	04 _H	0000 0000 000X XXXX 0XXX XXXX 0000 XXXX _B
CHx_EIM	Channel Setting Bits for Exceptional Interrupt Measurement	08 _H	0000 0000 _H
CHx_ESM	Channel Setting Bits for Exceptional Sequence Measurement	0C _H	0000 0000 _H
CTRL1	Measurement Unit Control Register 1	14 _H	0000 0000 _H
CTRL2	Measurement Unit Control Register 2	18 _H	0000 0783 _H
CTRL4	Measurement Unit Control Register 4	1C _H	0000 0F3F _H
SQ1_4	Measurement Channel Enable Bits for Cycle 1-4	20 _H	2936 2837 _H
SQ5_8	Measurement Channel Enable Bits for Cycle 5-8	24 _H	2837 2836 _H
SQ9_10	Measurement Channel Enable Bits for Cycle 9-10	28 _H	0000 2936 _H
SQ1_8_int	Measurement Channel Enable Bits for Cycle 1-8	2C _H	7B7B 7B1B _H
SQ9_10_int	Measurement Channel Enable Bits for Cycle 9 and 10	30 _H	0000 007B _H

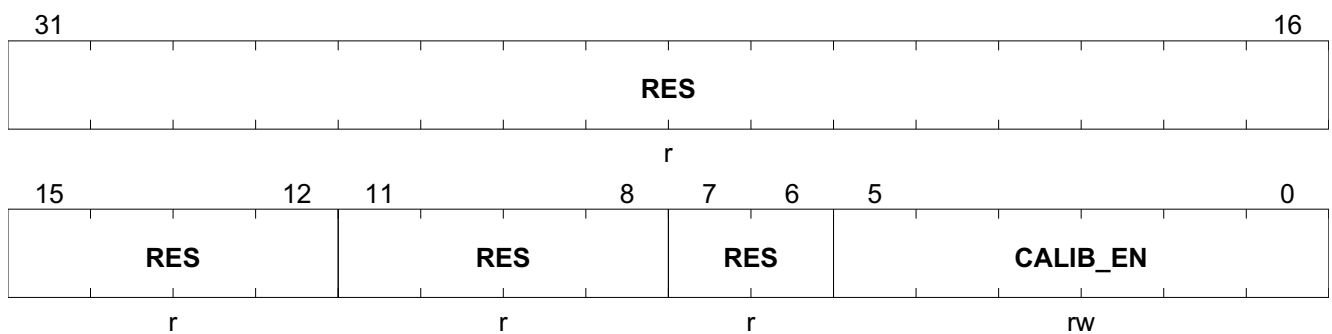
The registers are addressed wordwise.

Measurement Unit Control Register 1

This register is dedicated for controlling the calibration unit of the measurement core module. The respective channel calibration can be enabled or disabled by the bits listed below.

The register is reset by RESET_TYPE_4.

CTRL1	Offset	Reset Value
Measurement Unit Control Register 1	14 _H	0000 0000 _H



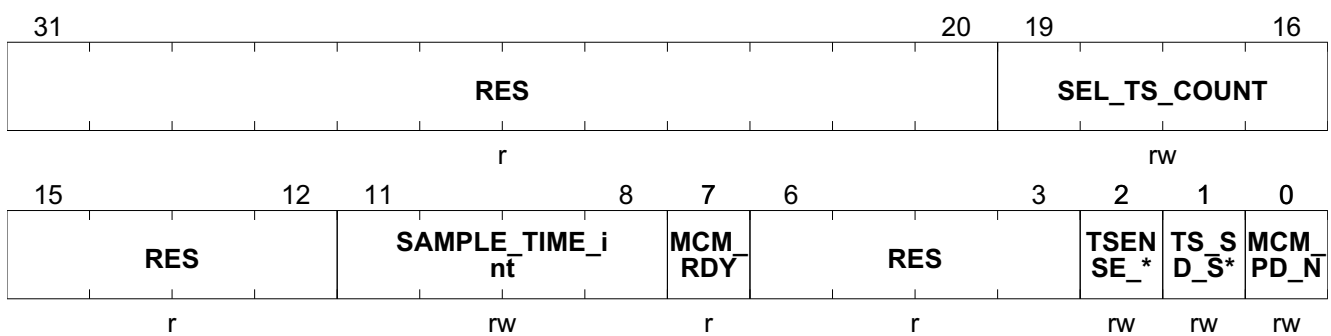
Field	Bits	Type	Description
RES	31:12	r	Reserved Always read as 0
RES	11:8	r	Reserved Always read as 0
RES	7:6	r	Reserved Always read as 0
CALIB_EN	5:0	rw	Calibration Enable for Channels 0 to 5 The following values can be ored: 00 0001 _B CH0_EN Channel 0 calibration enable 00 0010 _B CH1_EN Channel 1 calibration enable 00 0100 _B CH2_EN Channel 2 calibration enable 00 1000 _B CH3_EN Channel 3 calibration enable 01 0000 _B CH4_EN Channel 4 calibration enable 10 0000 _B CH5_EN Channel 5 calibration enable

Measurement Unit Control Register 2

This register contains the sample time adjustment for ADC2. The default value is 18 clock cycles. Values above 18 clock cycles are not recommended, because they increase the overall response time of the measurement system.

The register is reset by RESET_TYPE_4.

CTRL2	Offset	Reset Value
Measurement Unit Control Register 2	18_H	0000 0783_H



Field	Bits	Type	Description
RES	31:20	r	Reserved Always read as 0
RES	19:16	r	Reserved Always read as 0
SEL_TS_COUNT	19:16	rw	Time for Automatic Muxing of SEL_TS Defines how often all sequences SQ1-SQ10 shall be measured until the temperature sensor SEL_TS changes automatically (in case TS_SD_SEL_CONF is '1') 0 _H 1 Sequence 1 _H 2 Sequences 2 _H 3 Sequences 3 _H 4 Sequences 4 _H 5 Sequence 5 _H 6 Sequences 6 _H 7 Sequences 7 _H 8 Sequences 8 _H 9 Sequences 9 _H 10 Sequences A _H 11 Sequences B _H 12 Sequences C _H 13 Sequences D _H 14 Sequences E _H 15 Sequences F _H 16 Sequences
RES	15:12	r	Reserved Always read as 0

Measurement Core Module (incl. ADC2)

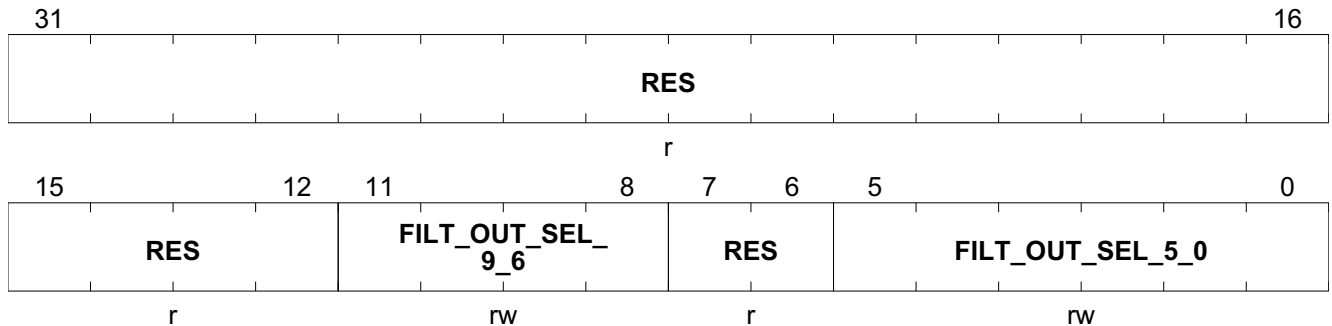
Field	Bits	Type	Description
SAMPLE_TIME_int	11:8	rw	Sample time of ADC2 0 _H MICLK4 4 MI_CLK clock periods 1 _H MICLK6 6 MI_CLK clock periods 2 _H MICLK8 8 MI_CLK clock periods 3 _H MICLK10 10 MI_CLK clock periods 4 _H MICLK12 12 MI_CLK clock periods 5 _H MICLK14 14 MI_CLK clock periods 6 _H MICLK16 16 MI_CLK clock periods 7 _H MICLK18 18 MI_CLK clock periods 8 _H MICLK20 20 MI_CLK clock periods 9 _H MICLK22 22 MI_CLK clock periods A _H n.u. not used B _H n.u. not used C _H n.u. not used D _H n.u. not used E _H n.u. not used F _H n.u. not used
MCM_RDY	7	r	Ready Signal for MCM¹⁾ after Power On or Reset 0 _B MCM Not Ready Measurement Core Module in startup phase 1 _B MCM Ready Measurement Core Module start-up phase finished
RES	6:3	r	Reserved Always read as 0
RES	2:1	r	Reserved Always read as 0
TSENSE_SD_SEL	2	rw	Temperatur Sensor selection for ADC2 Channel 9 0 _B PMU_TSENSE PMU temperature sensor selected 1 _B Central_TSENSE Central Temperature Sensor selected
TS_SD_SEL_CONF	1	rw	Temperature Sensor Control Configuration 0 _B CONSTANT Temperature Sensor Selection done by bit field TSENSE_SD_SEL 1 _B NOT ACTIVE Temperature Sensor Selection automatically done by DPP
MCM_PD_N	0	rw	Power Down Signal for MCM 0 _B MCM Disabled Measurement Core Module Disabled 1 _B MCM Enabled Measurement Core Module Enabled

1) MCM = Measurement Core Module

Measurement Unit Control Register 4

The register is reset by RESET_TYPE_4.

CTRL4	Offset	Reset Value
Measurement Unit Control Register 4	1C_H	0000 0F3F_H



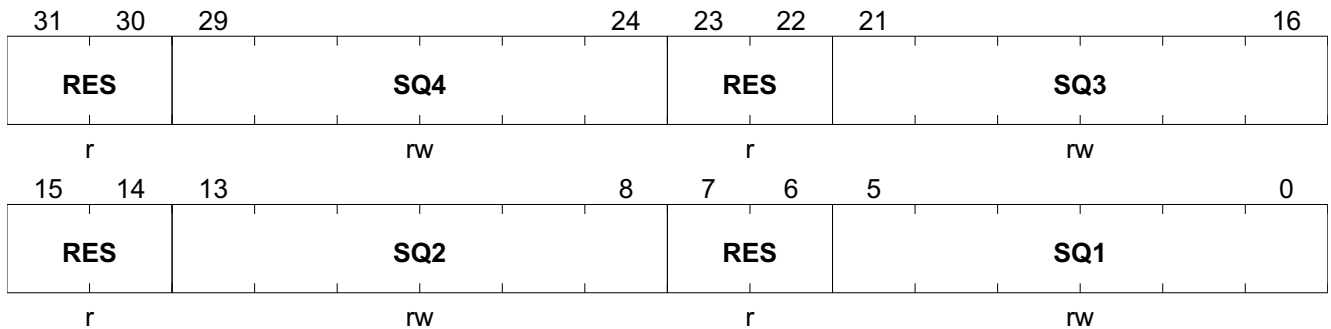
Field	Bits	Type	Description
RES	31:12	r	Reserved Always read as 0
FILT_OUT_SEL_9_6	11:8	rw	Output Filter Selection for Channels 6 to 9 0000 _B ADC2 Unfiltered Data can be monitored in the corresponding FILT_OUTx Registers. ¹⁾ 0001 _B Channel 6 IIR Data enabled for FILT_OUT6 Register . 0010 _B Channel 7 IIR Data enabled for FILT_OUT7 Register . 0100 _B Channel 8 IIR Data enabled for FILT_OUT8 Register . 1000 _B Channel 9 IIR Data enabled for FILT_OUT9 Register . 1111 _B For Channels 9-6 IIR Data is enabled for FILT_OUTx Registers .
RES	7:6	r	Reserved Always read as 0
FILT_OUT_SEL_5_0	5:0	rw	Output Filter Selection for Channels 0 to 5 00 0000 _B ADC2 Unfiltered Data can be monitored in the corresponding FILT_OUTx Registers ¹⁾ 00 0001 _B Channel 0 IIR Data enabled for FILT_OUT0 Register . 00 0010 _B Channel 1 IIR Data enabled for FILT_OUT1 Register . 00 0100 _B Channel 2 IIR Data enabled forFILT_OUT2 Register . 00 1000 _B Channel 3 IIR Data enabled for FILT_OUT3 Register . 01 0000 _B Channel 4 IIR Data enabled for FILT_OUT4 Register . 10 0000 _B Channel 5 IIR Data enabled for FILT_OUT5 Register . 11 1111 _B For Channels 5-0 IIR Data is enabled for FILT_OUTx Registers .

- 1) The unfiltered data can be either the calibrated data or the raw data, depending on `calib_en`.

Measurement Channel Enable Bits for Cycle 1-4

The register is reset by RESET_TYPE_4.

SQ1_4 Offset
Measurement Channel Enable Bits for Cycle 20_H
1-4 Reset Value
2936 2837_H



Field	Bits	Type	Description
RES	31:30	r	Reserved Always read as 0
SQ4	29:24	rw	Sequence 4 channel enable The following values can be ored: 00 0001 _B CH0_EN Channel 0 enable 00 0010 _B CH1_EN Channel 1 enable 00 0100 _B CH2_EN Channel 2 enable 00 1000 _B CH3_EN Channel 3 enable 01 0000 _B CH4_EN Channel 4 enable 10 0000 _B CH5_EN Channel 5 enable
RES	23:22	r	Reserved Always read as 0
SQ3	21:16	rw	Sequence 3 channel enable The following values can be ored: 00 0001 _B CH0_EN Channel 0 enable 00 0010 _B CH1_EN Channel 1 enable 00 0100 _B CH2_EN Channel 2 enable 00 1000 _B CH3_EN Channel 3 enable 01 0000 _B CH4_EN Channel 4 enable 10 0000 _B CH5_EN Channel 5 enable
RES	15:14	r	Reserved Always read as 0

Measurement Core Module (incl. ADC2)

Field	Bits	Type	Description
SQ2	13:8	rw	Sequence 2 channel enable The following values can be ored: 00 0001 _B CH0_EN Channel 0 enable 00 0010 _B CH1_EN Channel 1 enable 00 0100 _B CH2_EN Channel 2 enable 00 1000 _B CH3_EN Channel 3 enable 01 0000 _B CH4_EN Channel 4 enable 10 0000 _B CH5_EN Channel 5 enable
RES	7:6	r	Reserved Always read as 0
SQ1	5:0	rw	Sequence 1 channel enable The following values can be ored: 00 0001 _B CH0_EN Channel 0 enable 00 0010 _B CH1_EN Channel 1 enable 00 0100 _B CH2_EN Channel 2 enable 00 1000 _B CH3_EN Channel 3 enable 01 0000 _B CH4_EN Channel 4 enable 10 0000 _B CH5_EN Channel 5 enable

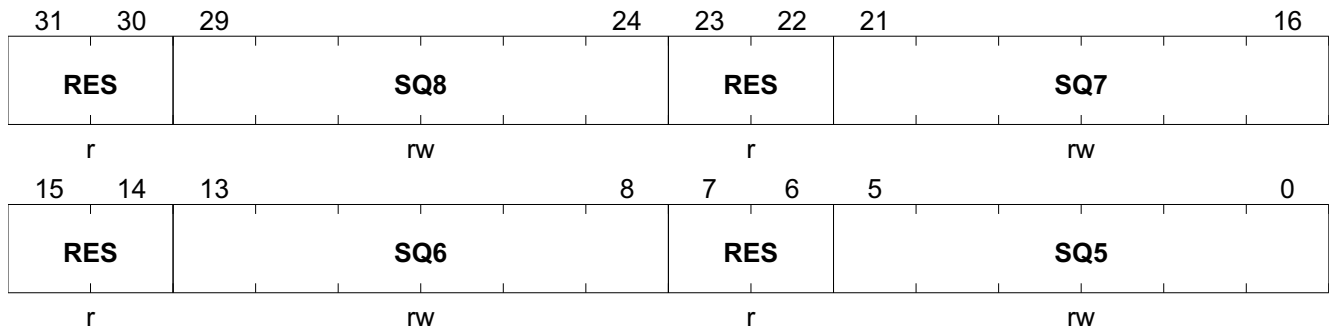
Measurement Core Module (incl. ADC2)

Field	Bits	Type	Description
SQ4_int	15:12	rwp	Sequence 4 channel enable The following values can be ored: 0001 _B CH6_EN Channel 6 enable 0010 _B CH7_EN Channel 7 enable 0100 _B CH8_EN Channel 8 enable 1000 _B CH9_EN Channel 9 enable
SQ3_int	11:8	rwp	Sequence 3 channel enable The following values can be ored: 0001 _B CH6_EN Channel 6 enable 0010 _B CH7_EN Channel 7 enable 0100 _B CH8_EN Channel 8 enable 1000 _B CH9_EN Channel 9 enable
SQ2_int	7:4	rwp	Sequence 2 channel enable The following values can be ored: 0001 _B CH6_EN Channel 6 enable 0010 _B CH7_EN Channel 7 enable 0100 _B CH8_EN Channel 8 enable 1000 _B CH9_EN Channel 9 enable
SQ1_int	3:0	rwp	Sequence 1 channel enable The following values can be ored: 0001 _B CH6_EN Channel 6 enable 0010 _B CH7_EN Channel 7 enable 0100 _B CH8_EN Channel 8 enable 1000 _B CH9_EN Channel 9 enable

Measurement Channel Enable Bits for Cycle 5-8

The register is reset by RESET_TYPE_4.

SQ5_8 Offset
Measurement Channel Enable Bits for Cycle 24_H
5-8 Reset Value
2837 2836_H



Field	Bits	Type	Description
RES	31:30	r	Reserved Always read as 0
SQ8	29:24	rw	Sequence 8 channel enable The following values can be ored: 00 0001 _B CH0_EN Channel 0 enable 00 0010 _B CH1_EN Channel 1 enable 00 0100 _B CH2_EN Channel 2 enable 00 1000 _B CH3_EN Channel 3 enable 01 0000 _B CH4_EN Channel 4 enable 10 0000 _B CH5_EN Channel 5 enable
RES	23:22	r	Reserved Always read as 0
SQ7	21:16	rw	Sequence 7 channel enable The following values can be ored: 00 0001 _B CH0_EN Channel 0 enable 00 0010 _B CH1_EN Channel 1 enable 00 0100 _B CH2_EN Channel 2 enable 00 1000 _B CH3_EN Channel 3 enable 01 0000 _B CH4_EN Channel 4 enable 10 0000 _B CH5_EN Channel 5 enable
RES	15:14	r	Reserved Always read as 0

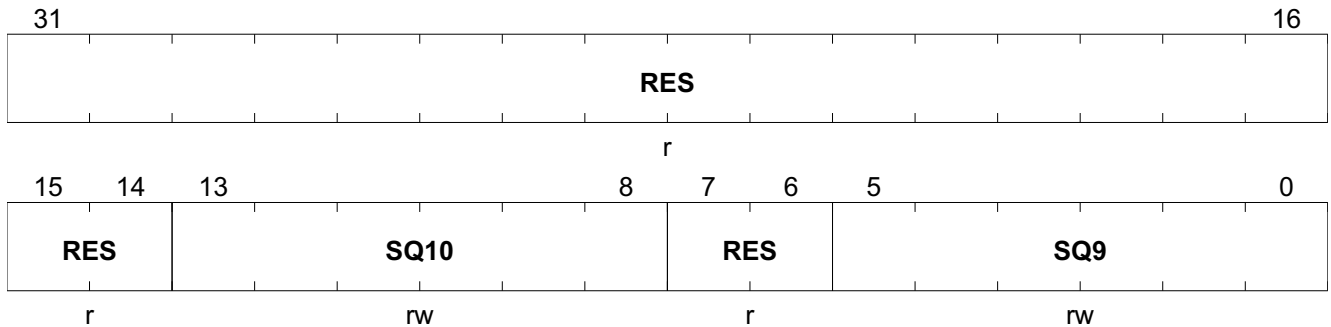
Measurement Core Module (incl. ADC2)

Field	Bits	Type	Description
SQ6	13:8	rw	Sequence 6 channel enable The following values can be ored: 00 0001 _B CH0_EN Channel 0 enable 00 0010 _B CH1_EN Channel 1 enable 00 0100 _B CH2_EN Channel 2 enable 00 1000 _B CH3_EN Channel 3 enable 01 0000 _B CH4_EN Channel 4 enable 10 0000 _B CH5_EN Channel 5 enable
RES	7:6	r	Reserved Always read as 0
SQ5	5:0	rw	Sequence 5 channel enable The following values can be ored: 00 0001 _B CH0_EN Channel 0 enable 00 0010 _B CH1_EN Channel 1 enable 00 0100 _B CH2_EN Channel 2 enable 00 1000 _B CH3_EN Channel 3 enable 01 0000 _B CH4_EN Channel 4 enable 10 0000 _B CH5_EN Channel 5 enable

Measurement Channel Enable Bits for Cycle 9-10

The register is reset by RESET_TYPE_4.

SQ9_10 **Offset**
Measurement Channel Enable Bits for Cycle **28_H**
9-10 **Reset Value**
0000 2936_H

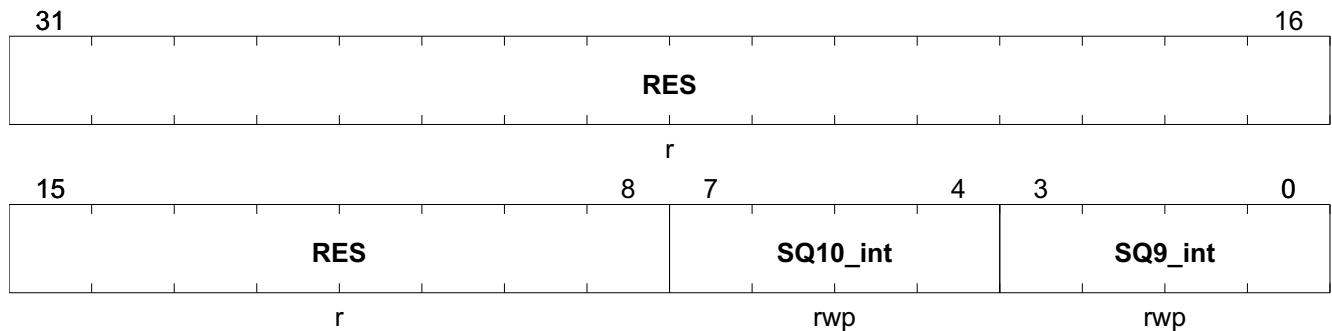


Field	Bits	Type	Description
RES	31:16	r	Reserved Always read as 0
RES	15:14	r	Reserved Always read as 0
SQ10	13:8	rw	Sequence 10 channel enable The following values can be ored: 00 0001 _B CH0_EN Channel 0 enable 00 0010 _B CH1_EN Channel 1 enable 00 0100 _B CH2_EN Channel 2 enable 00 1000 _B CH3_EN Channel 3 enable 01 0000 _B CH4_EN Channel 4 enable 10 0000 _B CH5_EN Channel 5 enable
RES	7:6	r	Reserved Always read as 0
SQ9	5:0	rw	Sequence 9 channel enable The following values can be ored: 00 0001 _B CH0_EN Channel 0 enable 00 0010 _B CH1_EN Channel 1 enable 00 0100 _B CH2_EN Channel 2 enable 00 1000 _B CH3_EN Channel 3 enable 01 0000 _B CH4_EN Channel 4 enable 10 0000 _B CH5_EN Channel 5 enable

Measurement Channel Enable Bits for Cycle 9 & 10

The register is reset by RESET_TYPE_4.

SQ9_10_int	Offset	Reset Value
Measurement Channel Enable Bits for Cycle 9 and 10	30_H	0000 007B_H



Field	Bits	Type	Description
RES	31:8	r	Reserved Always read as 0
SQ10_int	7:4	rwp	Sequence 10 channel enable The following values can be ored: 0001 _B CH6_EN Channel 6 enable 0010 _B CH7_EN Channel 7 enable 0100 _B CH8_EN Channel 8 enable 1000 _B CH9_EN Channel 9 enable
SQ9_int	3:0	rwp	Sequence 9 channel enable The following values can be ored: 0001 _B CH6_EN Channel 6 enable 0010 _B CH7_EN Channel 7 enable 0100 _B CH8_EN Channel 8 enable 1000 _B CH9_EN Channel 9 enable

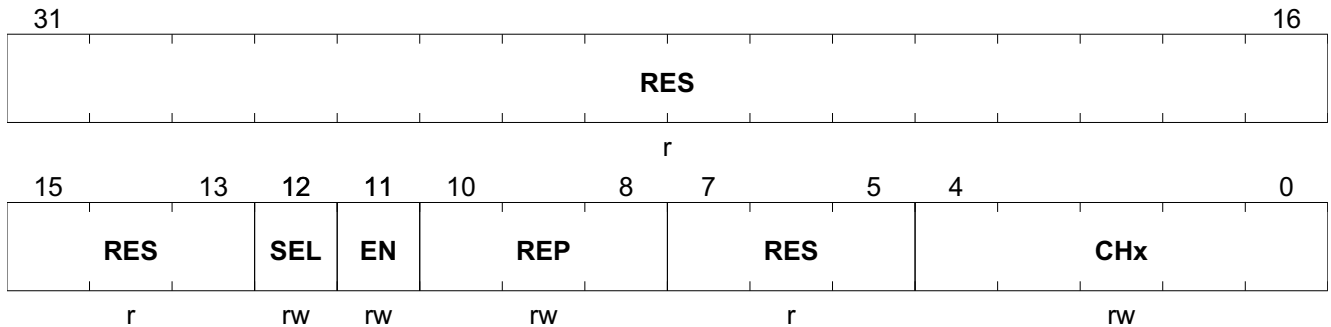
Measurement Core Module (incl. ADC2)

Field	Bits	Type	Description
ESM_ACTIVE	10	r	ADC2 ESM active 0 _B not active ESM not active 1 _B active ESM active
EIM_ACTIVE	9	r	ADC2 EIM active 0 _B not active EIM not active 1 _B active EIM active
SQ_STOP	8	r	ADC2 Sequencer Stop Signal for DPP 0 _B DPP Running Postprocessing Sequencer in running mode 1 _B DPP Stopped Postprocessing Sequencer stopped
RES	7:4	r	Reserved Always read as 0
SQ_FB	3:0	r	Current Sequence Other bit combinations are n.u. , not used. 0000 _B SQ1 Sequence 1 0001 _B SQ2 Sequence 2 0010 _B SQ3 Sequence 3 0011 _B SQ4 Sequence 4 0100 _B SQ5 Sequence 5 0101 _B SQ6 Sequence 6 0110 _B SQ7 Sequence 7 0111 _B SQ8 Sequence 8 1000 _B SQ9 Sequence 9 1001 _B SQ10 Sequence 10 1010 _B ESM ESM 1011 _B CH_MASK Channel Mask = 0 1100 _B SUSPEND Debug Suspend Mode

Channel Setting Bits for Exceptional Interrupt Measurement

The register is reset by RESET_TYPE_3.

CHx_EIM **Offset**
Channel Setting Bits for Exceptional **08_H**
Interrupt Measurement **Reset Value**
0000 0000_H



Field	Bits	Type	Description
RES	31:13	r	Reserved Always read as 0
SEL	12	rw	Exceptional interrupt measurement (EIM) Trigger select 0 _B CCU6_SEL ccu6_int triggers EIM 1 _B CP_SEL cp_clk triggers EIM
EN	11	rw	Exceptional interrupt measurement (EIM) Trigger Event enable 0 _B DISABLE start of EIM disabled 1 _B ENABLE start of EIM enabled
REP	10:8	rw	Repeat count for exceptional interrupt measurement (EIM) 000 _B 1 Measurements 001 _B 2 Measurements 010 _B 4 Measurements 011 _B 8 Measurements 100 _B 16 Measurements 101 _B 32 Measurements 110 _B 64 Measurements 111 _B 128 Measurements
RES	7:5	r	Reserved Always read as 0

Field	Bits	Type	Description
CHx	4:0	rw	Channel set for exceptional interrupt measurement (EIM) Other bit combinations are n.u. , not used. 00000 _B CH0_EN Channel 0 enable 00001 _B CH1_EN Channel 1 enable 00010 _B CH2_EN Channel 2 enable 00011 _B CH3_EN Channel 3 enable 00100 _B CH4_EN Channel 4 enable 00101 _B CH5_EN Channel 5 enable 00110 _B CH6_EN Channel 6 enable 11101 _B CH7_EN Channel 7 enable 11110 _B CH8_EN Channel 8 enable 11111 _B CH9_EN Channel 9 enable

23.5 Calibration Unit

23.5.1 Functional Description

The calibration unit of the Measurement Core module is dedicated to cancel offset and gain errors out of the signal chain. The upcoming two chapters describe usage and setup of the calibration unit.

23.5.1.1 Method for determining the Calibration Parameters

As mentioned in the introduction of the calibration unit, the module can be used to correct gain and offset errors caused by non-idealities in the measurement chain. These non-idealities are caused by the corresponding measurement chain modules.

Those first order non-idealities are:

- Offset and Gain Error of ADC2.
- Offset and Gain Error of the Attenuator (especially voltage measurement).
- Offset and Gain Error of Reference Voltage caused by non-ideality of reference voltage.

All these factors are summed up in the overall Gain (factor **b**) and overall Offset (adder **a**) of the complete measurement chain. They are calculated from a two point test result and stored inside the NVM.

Note: The calibration of the MON/VBAT_SENSE-Pin and the HV-Monitoring-Pins was done with an external 1 kΩ resistor. The usage of a resistor with a bigger value requires a recalibration of the signal path due to a finite resistor value of the attenuator.

23.5.1.2 Setup of Calibration Unit

Each channel has its own calibration unit and thus also its dedicated Gain and Offset parameter. These parameters are stored in a 100TP page of the Flash Module. After each reset of RESET_TYPE_4 these coefficients are downloaded from NVM into the corresponding registers. The user may not take care about the configuration of these parameters. After this has been done, the values are used for the correction procedure. The figure below shows the formula performed by the calibration unit and the required **sfr**-Register to control its functionality in a generic way.

The parameters ADC2_CALOFFS_CHx and ADC2_CALGAIN_CHx are stored in an 8 bit, 2th complement format.

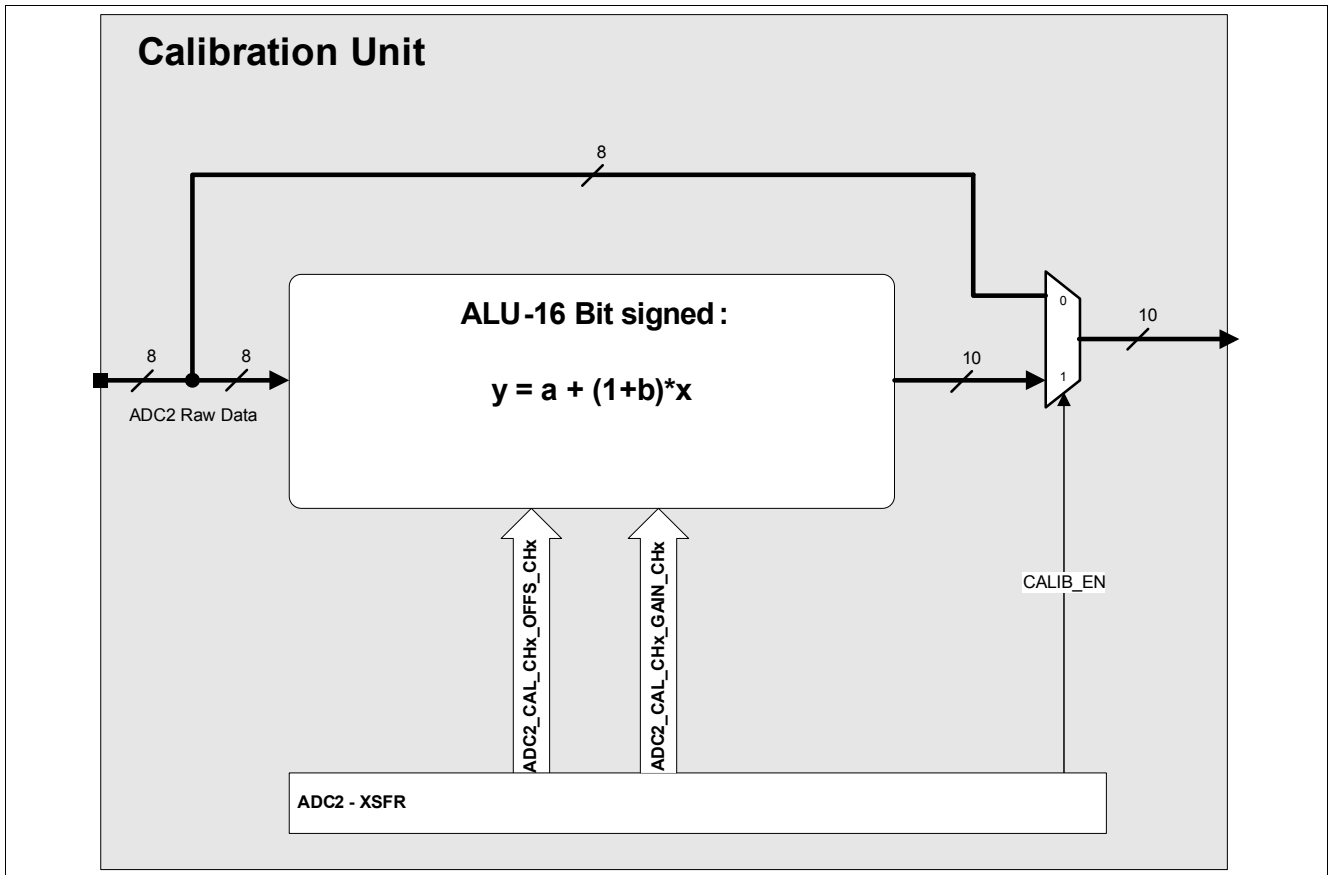


Figure 175 Structure of Calibration Unit

The function applied to calculate the calibrated ADC2 value is:

$$ADC2_CHx_cal = \left(1 + \frac{ADC2_CALGAIN_CHx}{256}\right) * ADC2_CHx_uncal + \frac{ADC2_CALOFFS_CHx}{2} \tag{25}$$

23.5.2 Calibration Unit Control Registers

The Calibration Unit can be configured by the **SFR** Register shown below. The registers which cannot be written by the user have the attribute **rwp**. Those registers are:

[CAL_CH6_7](#),
[CAL_CH8_9](#)

Table 147 Register Overview

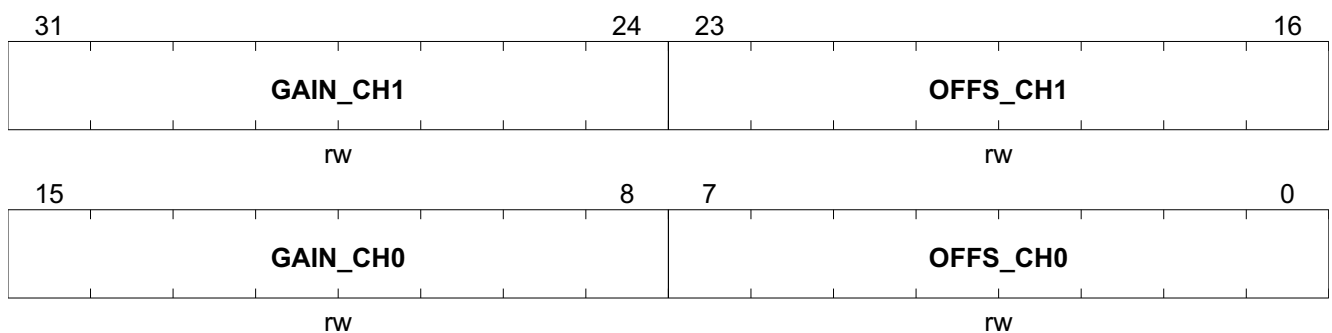
Register Short Name	Register Long Name	Offset Address	Reset Value
Calibration Unit Control Registers			
CAL_CH0_1	ADC2 Calibration Value for Channel 0 & 1	34 _H	0000 0000 _H
CAL_CH2_3	ADC2 Calibration Value for Channel 2 & 3	38 _H	0000 0000 _H
CAL_CH4_5	ADC2 Calibration Value for Channel 4 & 5	3C _H	0000 0000 _H
CAL_CH6_7	ADC2 Calibration Value for Channel 6 & 7	40 _H	0000 0000 _H
CAL_CH8_9	ADC2 Calibration Value for Channel 8 & 9	44 _H	0000 0000 _H

The registers are addressed wordwise.

ADC2 Calibration Value Channel 0 & 1

The register is reset by RESET_TYPE_4.

CAL_CH0_1	Offset	Reset Value
ADC2 Calibration Value for Channel 0 & 1	34 _H	0000 0000 _H



Field	Bits	Type	Description
GAIN_CH1	31:24	rw	Gain Calibration for channel 1 For uncalibrated ADC output set CALIB_EN_1 = 0
OFFS_CH1	23:16	rw	Offset Calibration for channel 1 For uncalibrated ADC output set CALIB_EN_1 = 0
GAIN_CH0	15:8	rw	Gain Calibration for channel 0 For uncalibrated ADC output set CALIB_EN_0 = 0

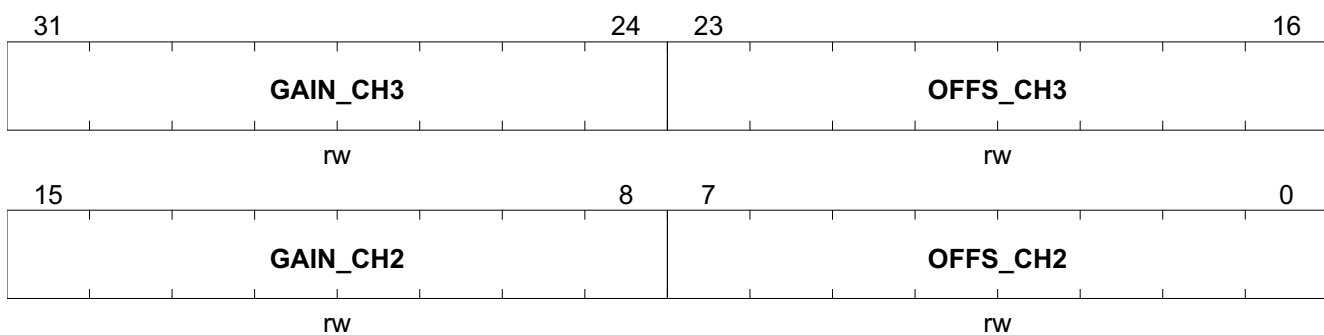
Measurement Core Module (incl. ADC2)

Field	Bits	Type	Description
OFFS_CH0	7:0	rw	Offset Calibration for channel 0 For uncalibrated ADC output set CALIB_EN_0 = 0

ADC2 Calibration Value for Channel 2 & 3

The register is reset by RESET_TYPE_4.

CAL_CH2_3	Offset	Reset Value
ADC2 Calibration Value for Channel 2 & 3	38_H	0000 0000_H

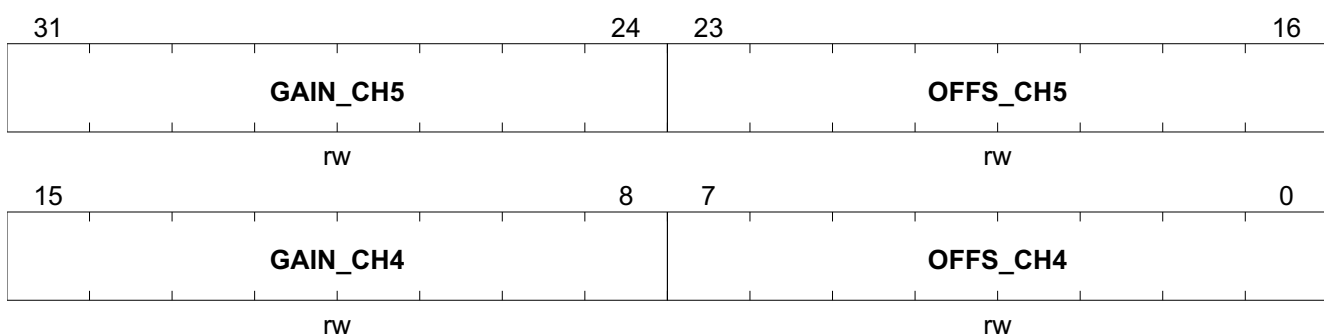


Field	Bits	Type	Description
GAIN_CH3	31:24	rw	Gain Calibration for channel 3 For ADC output set CALIB_EN_3 = 0
OFFS_CH3	23:16	rw	Offset Calibration for channel 3 For ADC output set CALIB_EN_3 = 0
GAIN_CH2	15:8	rw	Gain Calibration for channel 2 For ADC output set CALIB_EN_2 = 0
OFFS_CH2	7:0	rw	Offset Calibration for channel 2 For ADC output set CALIB_EN_2 = 0

ADC2 Calibration Value for Channel 4 & 5

The register is reset by RESET_TYPE_4.

CAL_CH4_5	Offset	Reset Value
ADC2 Calibration Value for Channel 4 & 5	3C_H	0000 0000_H



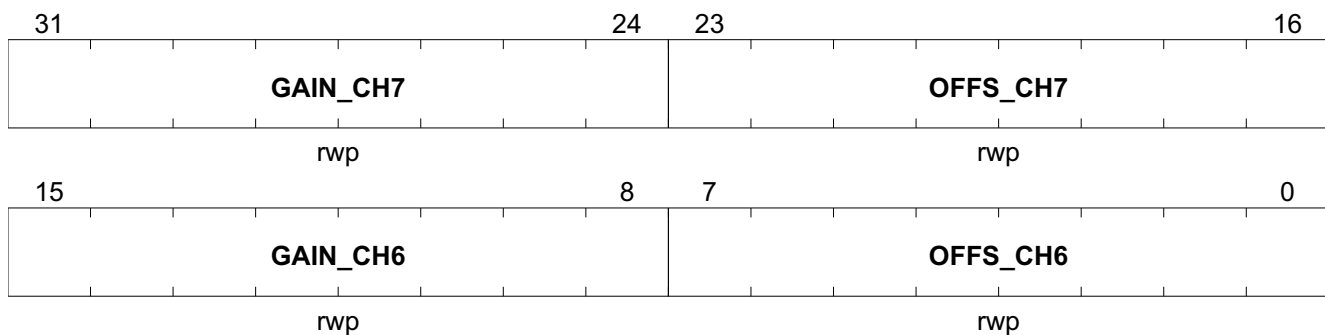
Measurement Core Module (incl. ADC2)

Field	Bits	Type	Description
GAIN_CH5	31:24	rw	Gain Calibration for channel 5 For ADC output set CALIB_EN_5 = 0
OFFS_CH5	23:16	rw	Offset Calibration for channel 5 For ADC output set CALIB_EN_5 = 0
GAIN_CH4	15:8	rw	Gain Calibration for channel 4 For ADC output set CALIB_EN_4 = 0
OFFS_CH4	7:0	rw	Offset Calibration for channel 4 For ADC output set CALIB_EN_4 = 0

ADC2 Calibration Value for Channel 6 & 7

The register is reset by RESET_TYPE_4.

CAL_CH6_7	Offset	Reset Value
ADC2 Calibration Value for Channel 6 & 7	40_H	0000 0000_H



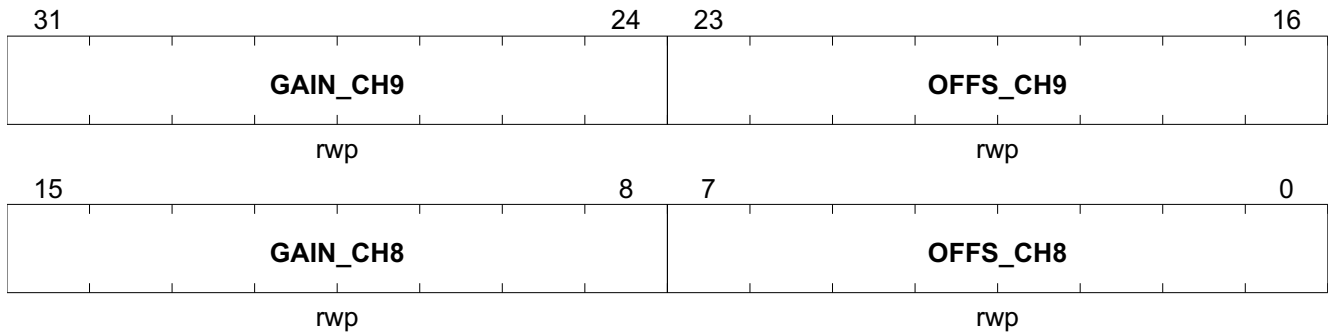
Field	Bits	Type	Description
GAIN_CH7	31:24	rwp	Gain Calibration for channel 7 For ADC output set CALIB_EN_7 = 0
OFFS_CH7	23:16	rwp	Offset Calibration for channel 7 For ADC output set CALIB_EN_7 = 0
GAIN_CH6	15:8	rwp	Gain Calibration for channel 6 For ADC output set CALIB_EN_6 = 0
OFFS_CH6	7:0	rwp	Offset Calibration for channel 6 For ADC output set CALIB_EN_6 = 0

ADC2 Calibration Value for Channel 8 & 9

The register is reset by RESET_TYPE_4.

CAL_CH8_9	Offset	Reset Value
ADC2 Calibration Value for Channel 8 & 9	44_H	0000 0000_H

Measurement Core Module (incl. ADC2)



Field	Bits	Type	Description
GAIN_CH9	31:24	rwp	Gain Calibration for channel 9 For ADC output set CALIB_EN_9 = 0
OFFS_CH9	23:16	rwp	Offset Calibration for channel 9 For ADC output set CALIB_EN_9 = 0
GAIN_CH8	15:8	rwp	Gain Calibration for channel 8 For ADC output set CALIB_EN_8 = 0
OFFS_CH8	7:0	rwp	Offset Calibration for channel 8 For ADC output set CALIB_EN_8 = 0

23.6 IIR-Filter

23.6.1 Functional Description

To cancel low frequency noise out of the measured signal, every channel of the digital signal includes a first order IIR Filter. The structure of the IIR Filter is shown in the picture below.

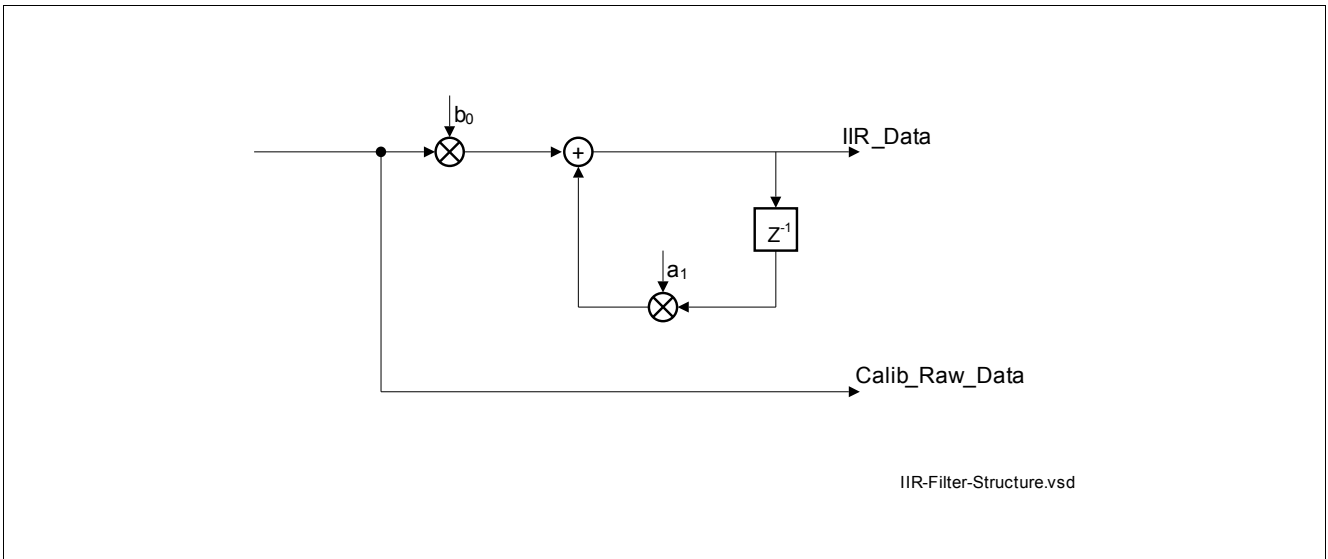


Figure 176 IIR-Filter Implementation Structure

$$H_{IIR}(z) = \frac{b_0}{(1 - a_1 z^{-1})}$$

(26)

This filter allows an effective suppression of high-frequency components like noise or crosstalk caused by HF-components in order to avoid the generation of unwanted interrupts. The coefficient b can be expressed as:

$$a_1 = 1 - b_0$$

(27)

With the coefficient b implemented in the IIR Filter transfer function, it looks like:

$$H_{IIR}(z) = \frac{b_0}{(1 - (1 - b_0) z^{-1})}$$

(28)

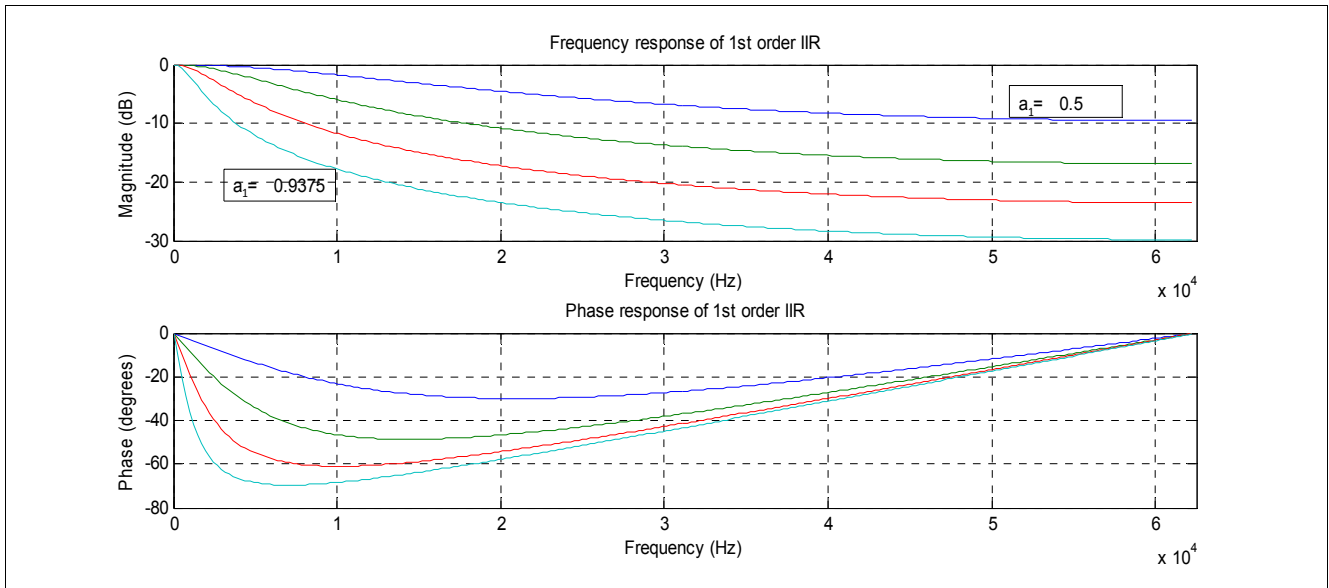


Figure 177 IIR Filter Transfer Function for different filter length fl (sampling frequency is assumed to be 125 kHz)

23.6.1.1 Step Response

The IIR filter's step response time is shown in the figure below:

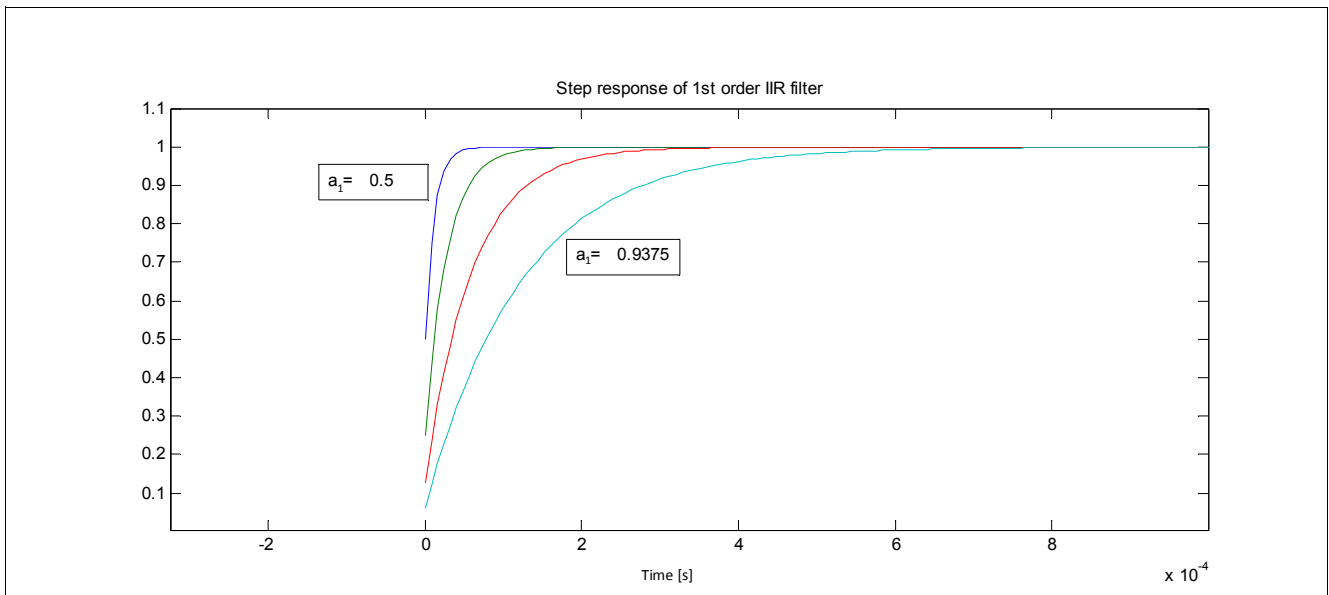


Figure 178 IIR Step Response Time

Table 148 summarizes the main filter characteristics.

Table 148 IIR filter characteristics

Filter coefficient	Group delay at $\omega=0$
b_0	τ [samples]
2^{-1}	2
2^{-2}	4

Table 148 IIR filter characteristics (cont'd)

Filter coefficient	Group delay at $\omega=0$
b_0	τ [samples]
2^{-3}	8
2^{-4}	16

23.6.2 IIR Filter Control Registers

The IIR Filter can also be configured by the **sfr** Register shown below. The registers which cannot be written by the user have the attribute **rwp**. Those registers are:

FILTCOEFF6_9

The **FILT_OUT0** to **FILT_OUT9** registers are 10 bits wide, but the ADC delivers only a resolution of 8 bits. **Table 149** shows how the lower two bits are determined.

Table 149 ADC2_FILT_OUT register setting

CTRL1.CALIB_EN	CTRL4.FILT_OUT_SEL	FILT_OUT0.OUT_CH0
0	0	"00"
0	1	"filt_out(3:2)"
1	0	"calib_out(1:0)"
1	1	"filt_out(3:2)"

The result of the calibration unit is 10 bits, the output is feed into the IIR filter. The internal result of the IIR filter is 12 bits, the output is converted to 10 bit and fed into the postprocessing. The user can monitor the calculated values in the **FILT_OUT0** to **FILT_OUT9** registers and gets access to 10 bit wide result information.

Table 150 Register Overview

Register Short Name	Register Long Name	Offset Address	Reset Value
IIR Filter Control Registers			
FILTCOEFF0_5	Filter Coefficients ADC Channel 0-5	48 _H	0000 0AAA _H
FILTCOEFF6_9	Filter Coefficients ADC Channel 6-9	4C _H	0000 00D5 _H
FILT_OUT0	ADC or Filter Output Channel 0	50 _H	0000 0000 0000 0000 0000 00XX XXXX XXXX _B
FILT_OUT1	ADC or Filter Output Channel 1	54 _H	0000 0000 0000 0000 0000 00XX XXXX XXXX _B
FILT_OUT2	ADC or Filter Output Channel 2	58 _H	0000 0000 0000 0000 0000 00XX XXXX XXXX _B
FILT_OUT3	ADC or Filter Output Channel 3	5C _H	0000 0000 0000 0000 0000 00XX XXXX XXXX _B
FILT_OUT4	ADC or Filter Output Channel 4	60 _H	0000 0000 0000 0000 0000 00XX XXXX XXXX _B

Table 150 Register Overview (cont'd)

Register Short Name	Register Long Name	Offset Address	Reset Value
FILT_OUT5	ADC or Filter Output Channel 5	64 _H	0000 0000 0000 0000 0000 00XX XXXX XXXX _B
FILT_OUT6	ADC or Filter Output Channel 6	68 _H	0000 0000 0000 0000 0000 00XX XXXX XXXX _B
FILT_OUT7	ADC or Filter Output Channel 7	6C _H	0000 0000 0000 0000 0000 00XX XXXX XXXX _B
FILT_OUT8	ADC or Filter Output Channel 8	70 _H	0000 0000 0000 0000 0000 00XX XXXX XXXX _B
FILT_OUT9	ADC or Filter Output Channel 9	74 _H	0000 0000 0000 0000 0000 00XX XXXX XXXX _B

The registers are addressed wordwise.

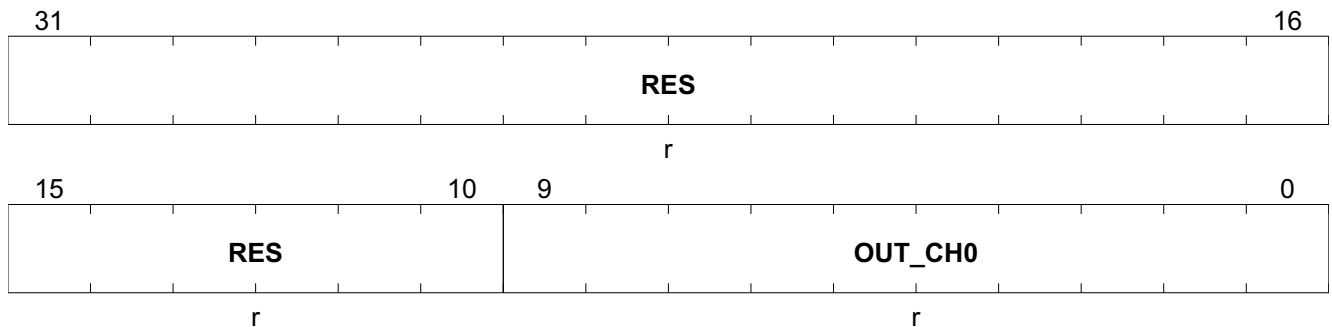
Measurement Core Module (incl. ADC2)

Field	Bits	Type	Description
CH0	1:0	rw	Filter Coefficient b_0 for ADC channel 0 00 _B 1/2 weight of current sample 01 _B 1/4 weight of current sample 10 _B 1/8 weight of current sample 11 _B 1/16 weight of current sample

ADC or Filter Output Channel 0

The register is reset by RESET_TYPE_3. This registers reflects the current value of channel 0 of the measurement chain, which is assigned to VBAT_SENSE measurement.

FILT_OUT0	Offset	Reset Value
ADC or Filter Output Channel 0	50 _H	0000 0000 0000 0000 0000 00XX XXXX XXXX _B

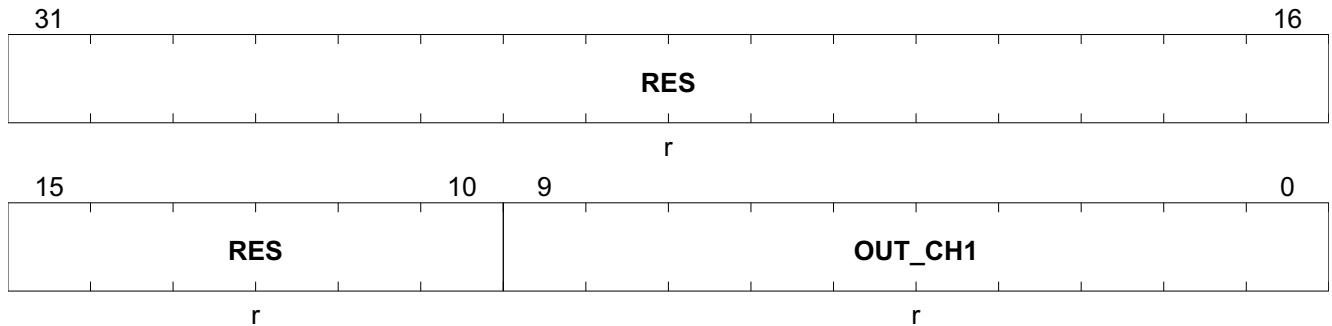


Field	Bits	Type	Description
RES	31:10	r	Reserved Always read as 0
OUT_CH0	9:0	r	ADC2 output value channel 0 For filtered output set CTRL4.FILT_OUT_SEL_5_0[0] = 1 For unfiltered output set CTRL4.FILT_OUT_SEL_5_0[0] = 0

ADC or Filter Output Channel 1

The register is reset by RESET_TYPE_3.

FILT_OUT1	Offset	Reset Value
ADC or Filter Output Channel 1	54 _H	0000 0000 0000 0000 0000 00XX XXXX XXXX _B

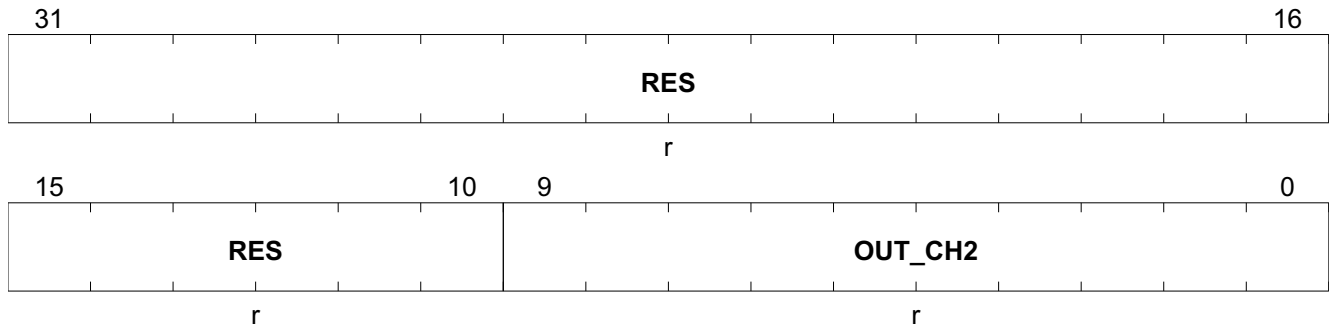


Field	Bits	Type	Description
RES	31:10	r	Reserved Always read as 0
OUT_CH1	9:0	r	ADC or filter output value channel 1 For filtered output set CTRL4.FILT_OUT_SEL_5_0[1] = 1 For unfiltered output set CTRL4.FILT_OUT_SEL_5_0[1] = 0

ADC or Filter Output Channel 2

The register is reset by RESET_TYPE_3.

FILT_OUT2	Offset	Reset Value
ADC or Filter Output Channel 2	58 _H	0000 0000 0000 0000 0000 00XX XXXX XXXX _B

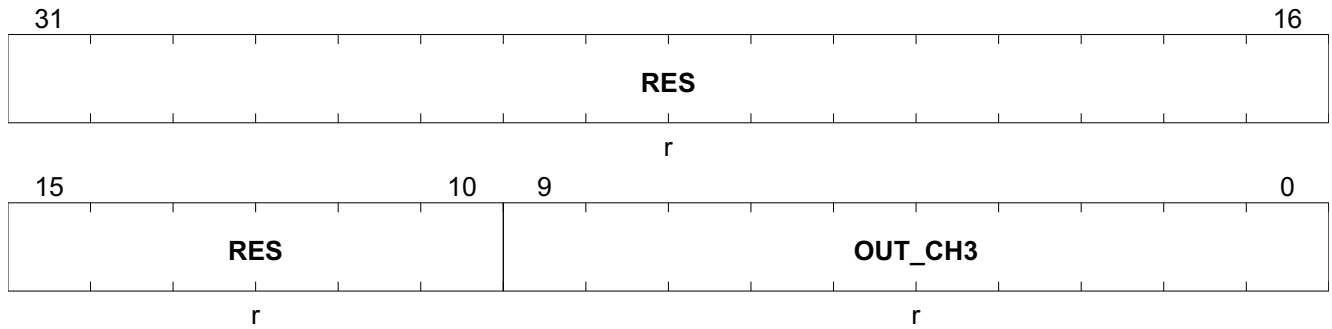


Field	Bits	Type	Description
RES	31:10	r	Reserved Always read as 0
OUT_CH2	9:0	r	ADC or filter output value channel 2 For filtered output set CTRL4.FILT_OUT_SEL_5_0[2] = 1 For unfiltered output set CTRL4.FILT_OUT_SEL_5_0[2] = 0

ADC or Filter Output Channel 3

The register is reset by RESET_TYPE_3.

FILT_OUT3	Offset	Reset Value
ADC or Filter Output Channel 3	5C _H	0000 0000 0000 0000 0000 00XX XXXX XXXX _B

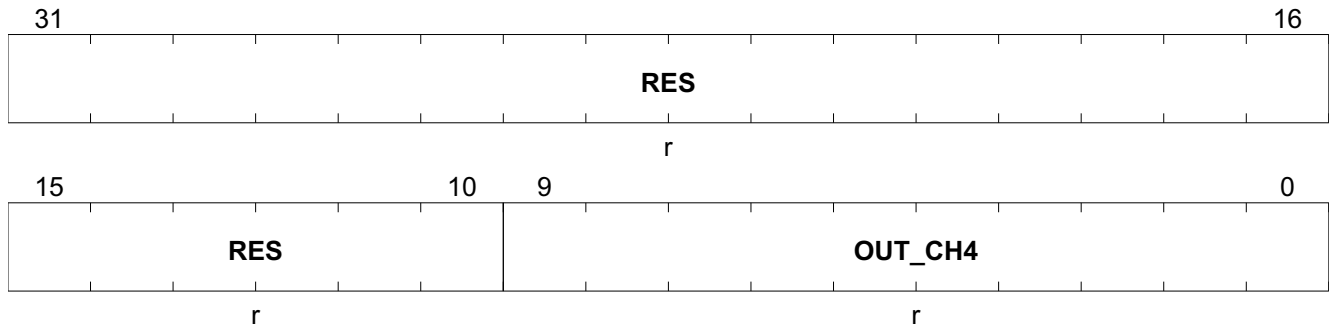


Field	Bits	Type	Description
RES	31:10	r	Reserved Always read as 0
OUT_CH3	9:0	r	ADC or filter output value channel 3 For filtered output set CTRL4.FILT_OUT_SEL_5_0[3] = 1 For unfiltered output set CTRL4.FILT_OUT_SEL_5_0[3] = 0

ADC or Filter Output Channel 4

The register is reset by RESET_TYPE_3.

FILT_OUT4	Offset	Reset Value
ADC or Filter Output Channel 4	60 _H	0000 0000 0000 0000 0000 00XX XXXX XXXX _B

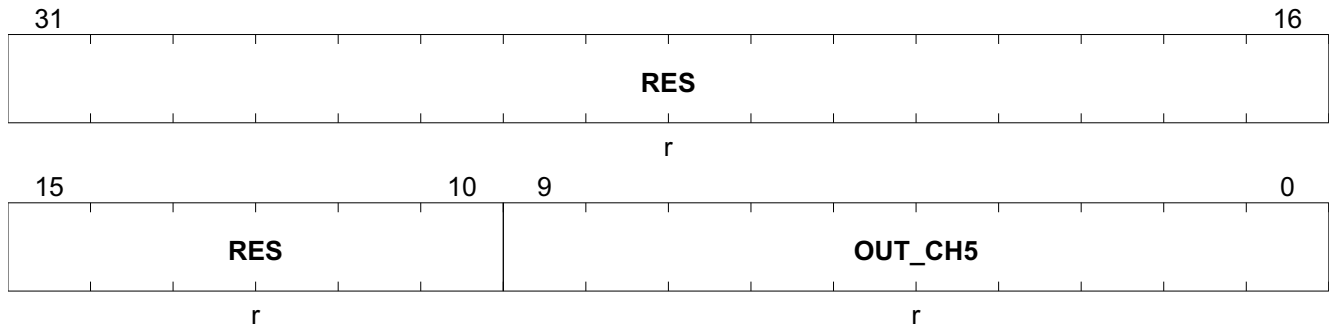


Field	Bits	Type	Description
RES	31:10	r	Reserved Always read as 0
OUT_CH4	9:0	r	ADC or filter output value channel 4 For filtered output set CTRL4.FILT_OUT_SEL_5_0[4] = 1 For unfiltered output set CTRL4.FILT_OUT_SEL_5_0[4] = 0

ADC or Filter Output Channel 5

The register is reset by RESET_TYPE_3.

FILT_OUT5	Offset	Reset Value
ADC or Filter Output Channel 5	64 _H	0000 0000 0000 0000 0000 00XX XXXX XXXX _B

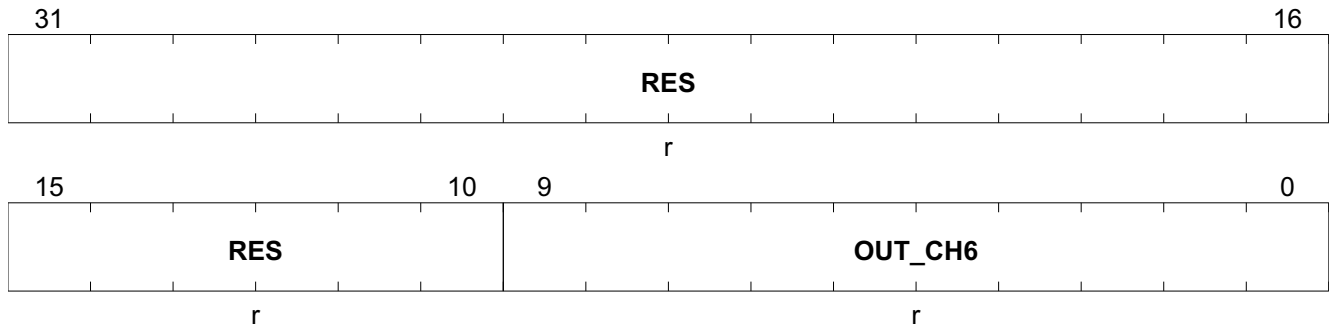


Field	Bits	Type	Description
RES	31:10	r	Reserved Always read as 0
OUT_CH5	9:0	r	ADC or filter output value channel 5 For filtered output set CTRL4.FILT_OUT_SEL_5_0[5] = 1 For unfiltered output set CTRL4.FILT_OUT_SEL_5_0[5] = 0

ADC or Filter Output Channel 6

The register is reset by RESET_TYPE_3.

FILT_OUT6	Offset	Reset Value
ADC or Filter Output Channel 6	68 _H	0000 0000 0000 0000 0000 00XX XXXX XXXX _B

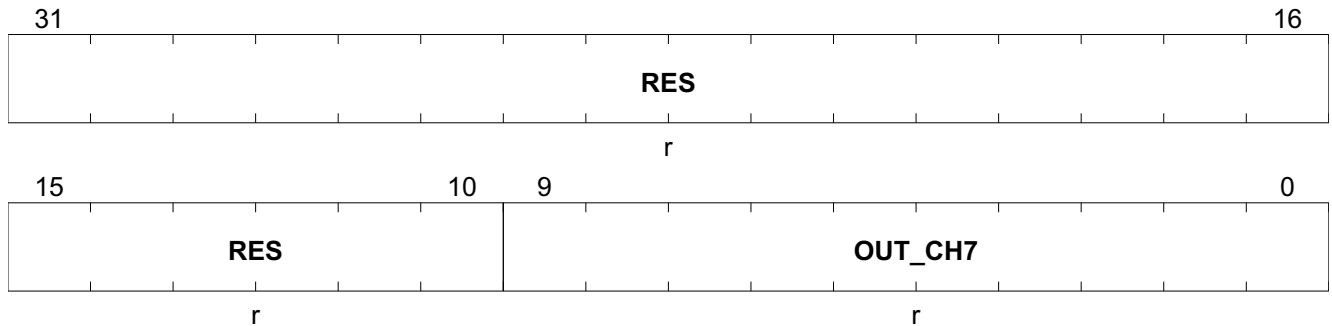


Field	Bits	Type	Description
RES	31:10	r	Reserved Always read as 0
OUT_CH6	9:0	r	ADC or filter output value channel 6 For filtered output set CTRL4.FILT_OUT_SEL_9_6[0] = 1 For unfiltered output set CTRL4.FILT_OUT_SEL_9_6[0] = 0

ADC or Filter Output Channel 7

The register is reset by RESET_TYPE_3.

FILT_OUT7	Offset	Reset Value
ADC or Filter Output Channel 7	6C _H	0000 0000 0000 0000 0000 00XX XXXX XXXX _B

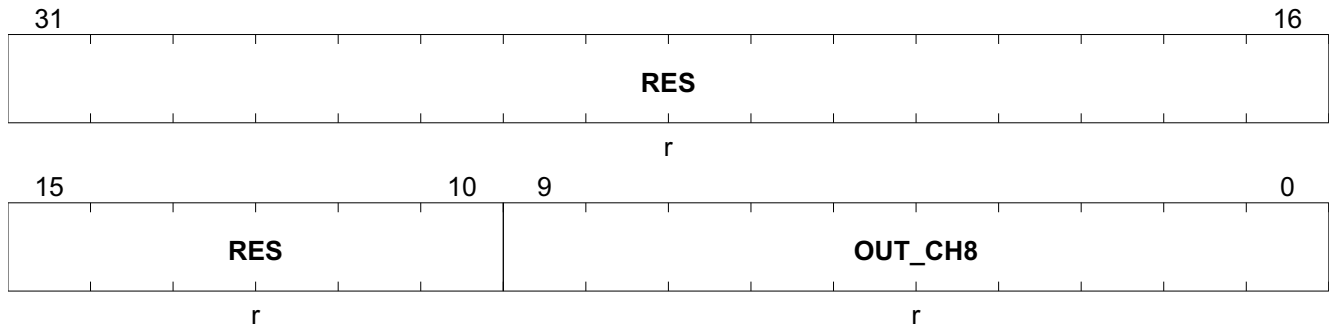


Field	Bits	Type	Description
RES	31:10	r	Reserved Always read as 0
OUT_CH7	9:0	r	ADC or filter output value channel 7 For filtered output set CTRL4.FILT_OUT_SEL_9_6[1] = 1 For unfiltered output set CTRL4.FILT_OUT_SEL_9_6[1] = 0

ADC or Filter Output Channel 8

The register is reset by RESET_TYPE_3.

FILT_OUT8	Offset	Reset Value
ADC or Filter Output Channel 8	70 _H	0000 0000 0000 0000 0000 00XX XXXX XXXX _B

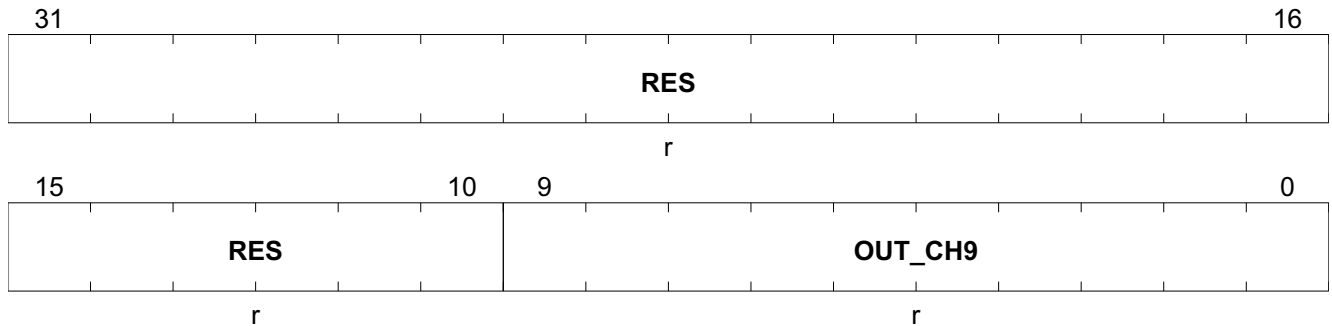


Field	Bits	Type	Description
RES	31:10	r	Reserved Always read as 0
OUT_CH8	9:0	r	ADC or filter output value channel 8 For filtered output set CTRL4.FILT_OUT_SEL_9_6[2] = 1 For unfiltered output set CTRL4.FILT_OUT_SEL_9_6[2] = 0

ADC or Filter Output Channel 9

The register is reset by RESET_TYPE_3.

FILT_OUT9	Offset	Reset Value
ADC or Filter Output Channel 9	74 _H	0000 0000 0000 0000 0000 00XX XXXX XXXX _B



Field	Bits	Type	Description
RES	31:10	r	Reserved Always read as 0
OUT_CH9	9:0	r	ADC or filter output value channel 9 For filtered output set CTRL4.FILT_OUT_SEL_9_6[3] = 1 For unfiltered output set CTRL4.FILT_OUT_SEL_9_6[3] = 0

23.7 Signal Processing

23.7.1 Functional Description

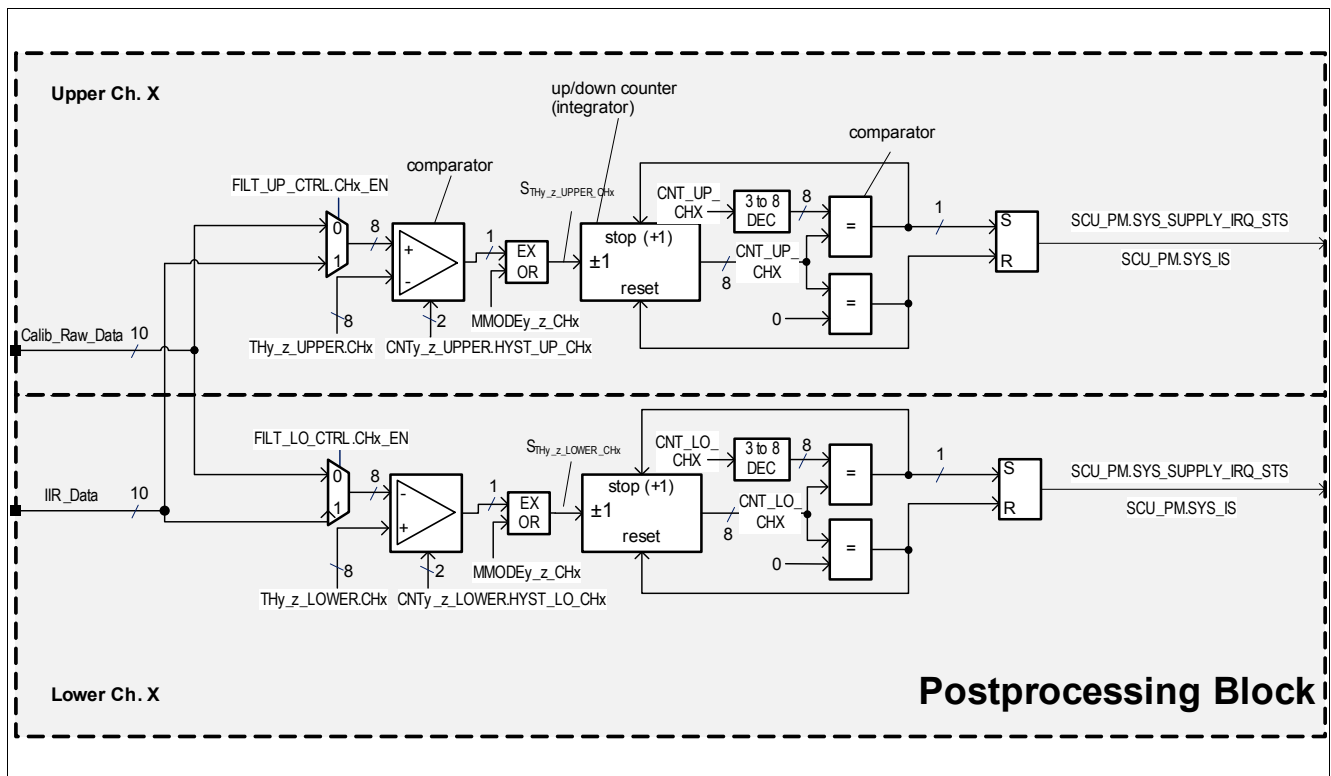


Figure 179 Postprocessing channel block diagram for voltage and temperature measurements

As shown in [Figure 179](#) an adjustable filter can be applied for the upper and the lower measurement channel, which averages 2, 4, 8 or 16 measurement values continuously. The filtered signal or the demultiplexed ADC output signal ADC_OUTx is compared with an upper threshold $THy_z_UPPPER.CHx$ and a lower threshold $THy_z_LOWER.CHx$. When the thresholds are exceeded, the comparator outputs get active. For all measurement modes a freely adjustable hysteresis can be defined which is defined with the $CNTy_z_LOWER.HYST_UP_CHx$ and $CNTy_z_LOWER.HYST_LO_CHx$ values.

In addition to the first filter stage, the second filters (counters) integrate the comparator output values S_{TH_UP/LO_CHX} until an individual upper and lower timing threshold $2^{CNT_UP/LO_CHX}$ is reached. When reaching the upper timing threshold $2^{CNT_UP_CHX}$, the upper counter increment is stalled and the status output CHx_UP_STS is set. For $MMODE_OV = 1$, the inverted lower comparator output signal $S_{TH_LO_CHX}$ is normalized again. When the output signal is above $THy_z_LOWER.CHx$, the lower counter is incremented until the max. threshold $2^{CNT_LO_CHX}$ is reached. Individual interrupts for the upper and lower channel can be triggered with the rising edge of the status signals UP/LO_x_STS .

In general the IIR filter stage suppresses higher frequency noise efficiently and triggering with the upper and lower threshold TH_UP/LO_CHx are dependent on the measured values. Hence short high-level spikes might pass the thresholds. In opposite to the first stage the nature of the second filter stage is more a time filter, which is less dependent on the measurement values but on event durations of S_{TH_LO/UP_CHX} as generated by the first comparator stage. Therefore the second stage has a lower noise suppression performance for higher frequencies and also adds a delay for the trigger time proportional to $2^{CNT_LO/UP_CHX}$.

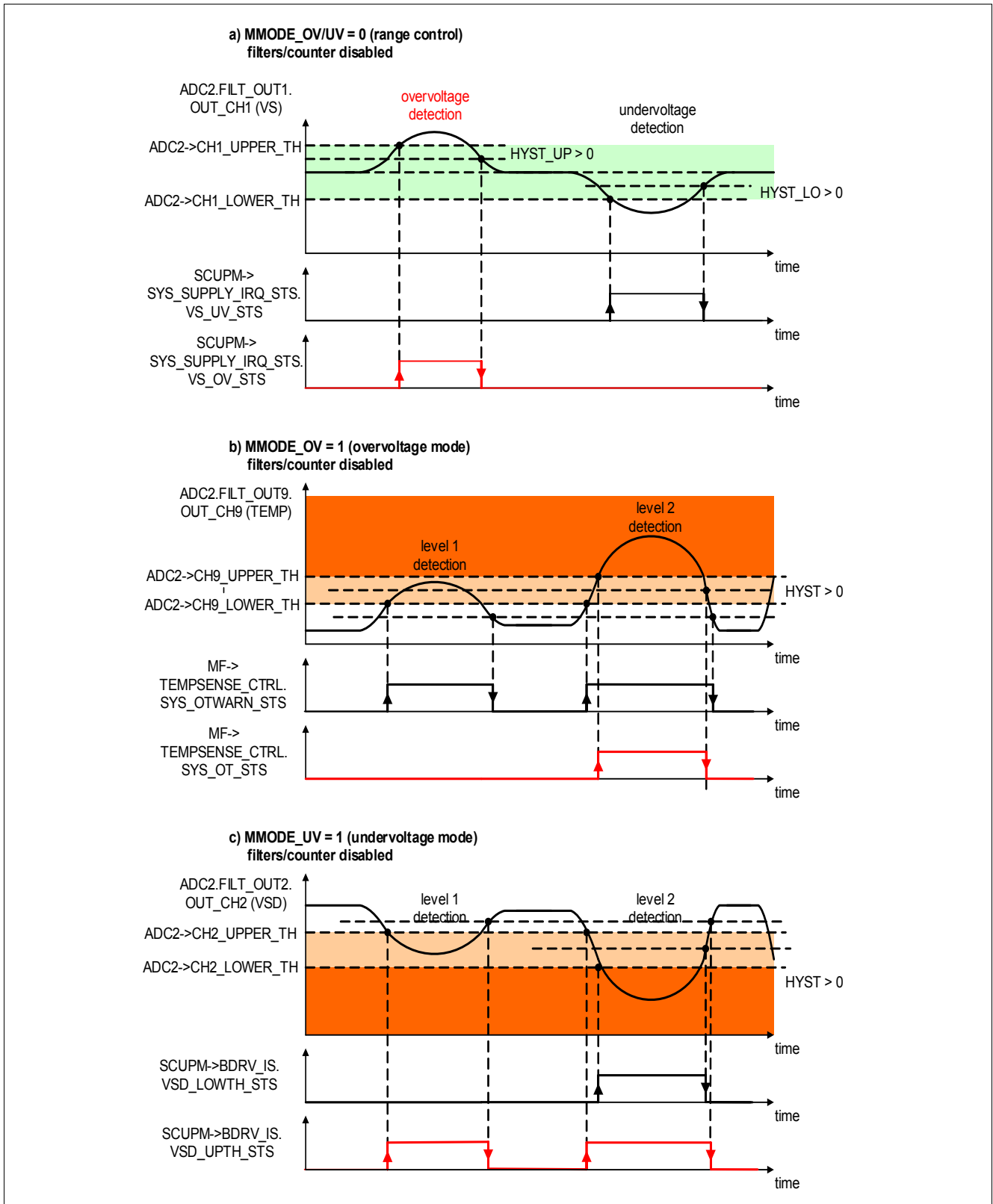


Figure 180 Measurement examples of a measurement channel with disabled filters

Figure 180 shows three examples, a range-control and an over- and undervoltage detection (e.g. VBAT_SENSE monitoring), a 2-step overvoltage and a 2-step undervoltage detection. The modes MMODE_OV/UV = 1 can be used as prewarning for the application software (e.g. close to over-temperature or supply undervoltage).

23.7.2 Postprocessing Control Registers

The Temperature Sensor is fully controllable by the below listed sfr Registers.

Table 151 Register Overview

Register Short Name	Register Long Name	Offset Address	Reset Value
Postprocessing Control Registers			
FILT_UP_CTRL	Upper Threshold Filter Enable	78 _H	0000 003F _H
FILT_LO_CTRL	Lower Threshold Filter Enable	7C _H	0000 003F _H
TH0_3_LOWER	Lower Comparator Trigger Level Channel 0-3	80 _H	3C2C 3A42 _H
TH4_5_LOWER	Lower Comparator Trigger Level Channel 4&5	84 _H	0000 9A2C _H
TH6_9_LOWER	Lower Comparator Trigger Level Channel 6-9	88 _H	C7D3 BBDB _H
TH0_3_UPPER	Upper Comparator Trigger Level Channel 0-3	8C _H	A8AB DAE2 _H
TH4_5_UPPER	Upper Comparator Trigger Level Channel 4&5	90 _H	0000 BC42 _H
TH6_9_UPPER	Upper Comparator Trigger Level Channel 6-9	94 _H	E2FA C6EE _H
CNT0_3_LOWER	Lower Counter Trigger Level Channel 0-3	98 _H	1213 1312 _H
CNT4_5_LOWER	Lower Counter Trigger Level Channel 4&5	9C _H	0000 0A0A _H
CNT6_9_LOWER	Lower Counter Trigger Level Channel 6-9	A0 _H	0A0A 0A0A _H
CNT0_3_UPPER	Upper Counter Trigger Level Channel 0-3	A4 _H	1213 1B1A _H
CNT4_5_UPPER	Upper Counter Trigger Level Channel 4&5	A8 _H	0000 1212 _H
CNT6_9_UPPER	Upper Counter Trigger Level Channel 6-9	AC _H	1A1A 1911 _H
MMODE0_5	Overvoltage Measurement Mode of Ch 0-5	B0 _H	0000 0000 _H

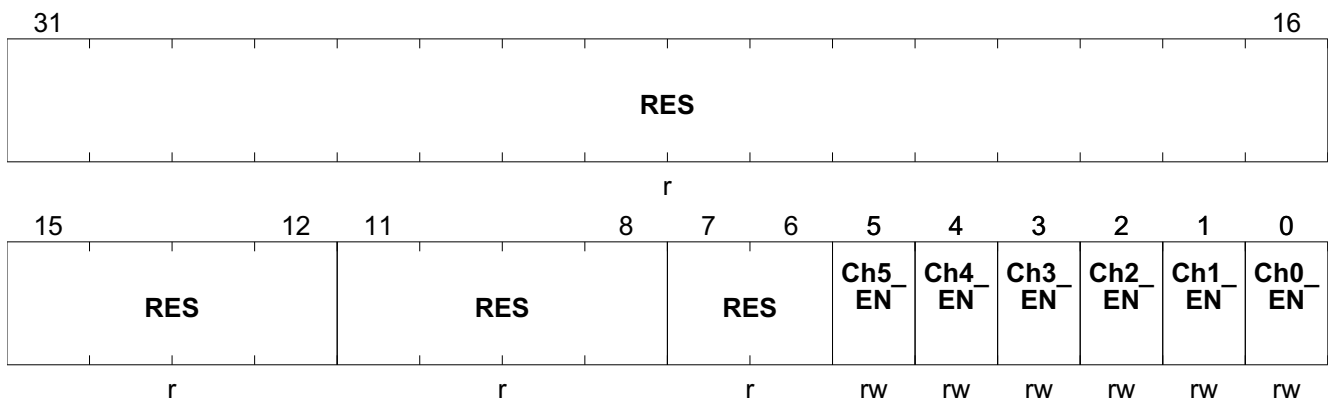
The registers are addressed wordwise.

Upper Threshold Filter Enable

Setting the corresponding channel configuration flag connects the IIR filter output to the postprocessing for upper threshold detection of this channel.

The register is reset by RESET_TYPE_4.

FILT_UP_CTRL	Offset	Reset Value
Upper Threshold Filter Enable	78_H	0000 003F_H



Field	Bits	Type	Description
RES	31:12	r	Reserved Always read as 0
RES	11:8	r	Reserved Always read as 0
RES	7:6	r	Reserved Always read as 0
Ch5_EN	5	rw	Upper threshold IIR filter enable ch 5 0 _B disable 1 _B enable
Ch4_EN	4	rw	Upper threshold IIR filter enable ch 4 0 _B disable 1 _B enable
Ch3_EN	3	rw	Upper threshold IIR filter enable ch 3 0 _B disable 1 _B enable
Ch2_EN	2	rw	Upper threshold IIR filter enable ch 2 0 _B disable 1 _B enable
Ch1_EN	1	rw	Upper threshold IIR filter enable ch 1 0 _B disable 1 _B enable
Ch0_EN	0	rw	Upper threshold IIR filter enable ch 0 0 _B disable 1 _B enable

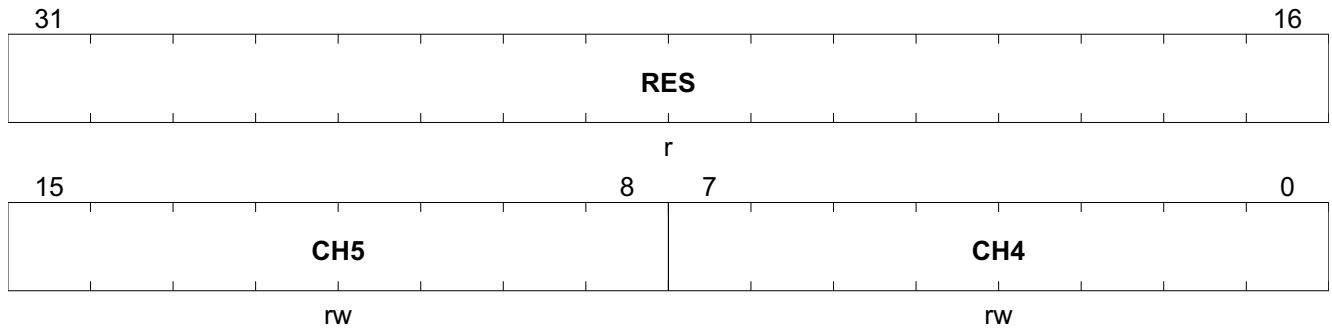
Measurement Core Module (incl. ADC2)

Field	Bits	Type	Description
Ch0	1:0	rw	Measurement mode ch 0 00 _B MMODE0 upper & lower voltage/limit measurement 01 _B MMODEUV undervoltage/-limit measurement 10 _B MMODEOV overvoltage/-limit measurement 11 _B RESERVED reserved

Upper Comparator Trigger Level Channel 4 & 5

The register is reset by RESET_TYPE_4.

TH4_5_UPPER	Offset	Reset Value
Upper Comparator Trigger Level Channel 4&5	90 _H	0000 BC42 _H

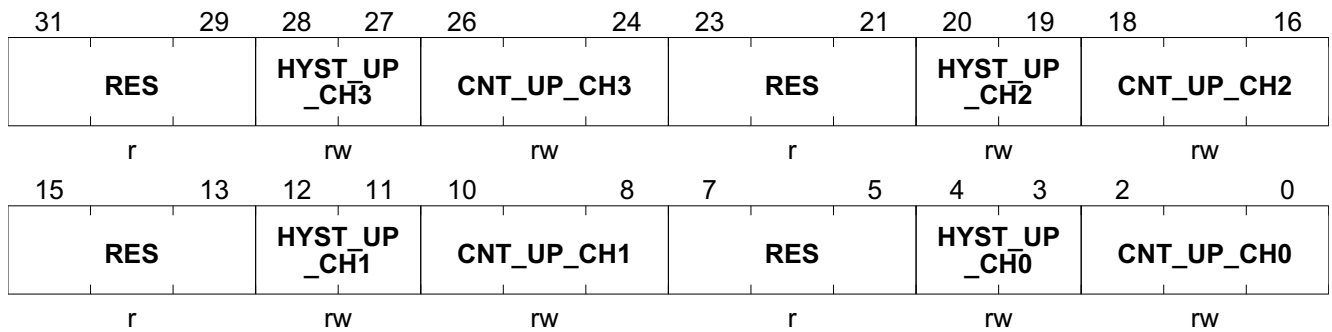


Field	Bits	Type	Description
RES	31:16	r	Reserved Always read as 0
CH5	15:8	rw	Channel 5 upper trigger level, ADC2_CH5_UPPER_TH Corresponding voltage value see equation. 00 _H min. threshold value = 0 FF _H max. threshold value = 255
CH4	7:0	rw	Channel 4 upper trigger level, ADC2_CH4_UPPER_TH Corresponding voltage value see equation. 00 _H min. threshold value = 0 FF _H max. threshold value = 255

Upper Counter Trigger Level Channel 0-3

The register is reset by RESET_TYPE_4.

CNT0_3_UPPER **Offset** **Reset Value**
Upper Counter Trigger Level Channel 0-3 **A4_H** **1213 1B1A_H**



Field	Bits	Type	Description
RES	31:29	r	Reserved Always read as 0
HYST_UP_CH3	28:27	rw	Channel 3 upper hysteresis 0 _H HYSTOFF hysteresis switched off 1 _H HYST4 hysteresis = 4 2 _H HYST8 hysteresis = 8 3 _H HYST16 hysteresis = 16
CNT_UP_CH3	26:24	rw	Upper timer trigger threshold channel 3 0 _H 1 measurement 1 _H 2 measurements 2 _H 4 measurements 3 _H 8 measurements 4 _H 16 measurements 5 _H 32 measurements 6 _H 64 measurements 7 _H 128 measurements
RES	23:21	r	Reserved Always read as 0
HYST_UP_CH2	20:19	rw	Channel 2 upper hysteresis 0 _H HYSTOFF hysteresis switched off 1 _H HYST4 hysteresis = 4 2 _H HYST8 hysteresis = 8 3 _H HYST16 hysteresis = 16

Measurement Core Module (incl. ADC2)

Field	Bits	Type	Description
CNT_UP_CH2	18:16	rw	Upper timer trigger threshold channel 2 0 _H 1 measurement 1 _H 2 measurements 2 _H 4 measurements 3 _H 8 measurements 4 _H 16 measurements 5 _H 32 measurements 6 _H 64 measurements 7 _H 128 measurements
RES	15:13	r	Reserved Always read as 0
HYST_UP_CH1	12:11	rw	Channel 1 upper hysteresis 0 _H HYSTOFF hysteresis switched off 1 _H HYST4 hysteresis = 4 2 _H HYST8 hysteresis = 8 3 _H HYST16 hysteresis = 16
CNT_UP_CH1	10:8	rw	Upper timer trigger threshold channel 1 0 _H 1 measurement 1 _H 2 measurements 2 _H 4 measurements 3 _H 8 measurements 4 _H 16 measurements 5 _H 32 measurements 6 _H 64 measurements 7 _H 128 measurements
RES	7:5	r	Reserved Always read as 0
HYST_UP_CH0	4:3	rw	Channel 0 upper hysteresis 0 _H HYSTOFF hysteresis switched off 1 _H HYST4 hysteresis = 4 2 _H HYST8 hysteresis = 8 3 _H HYST16 hysteresis = 16
CNT_UP_CH0	2:0	rw	Upper timer trigger threshold channel 0 0 _H 1 measurement 1 _H 2 measurements 2 _H 4 measurements 3 _H 8 measurements 4 _H 16 measurements 5 _H 32 measurements 6 _H 64 measurements 7 _H 128 measurements

Measurement Core Module (incl. ADC2)

Field	Bits	Type	Description
CNT_UP_CH4	2:0	rw	Upper timer trigger threshold channel 4 0 _H 1 measurement 1 _H 2 measurements 2 _H 4 measurements 3 _H 8 measurements 4 _H 16 measurements 5 _H 32 measurements 6 _H 64 measurements 7 _H 128 measurements

Upper Counter Trigger Level Channel 6-9

The register is reset by RESET_TYPE_4.

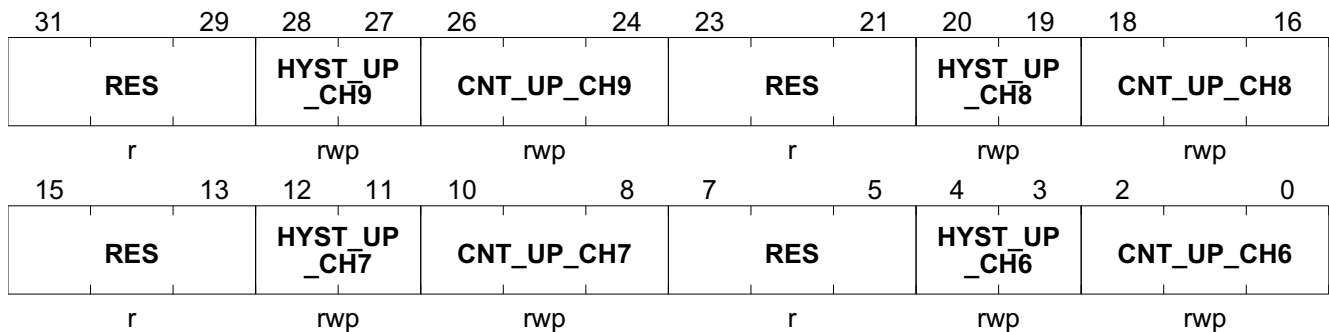
CNT6_9_UPPER

Upper Counter Trigger Level Channel 6-9

Offset

 AC_H

Reset Value

 1A1A 1911_H


Field	Bits	Type	Description
RES	31:29	r	Reserved Always read as 0
HYST_UP_CH9	28:27	rwp	Channel 9 upper hysteresis 0 _H HYSTOFF hysteresis switched off 1 _H HYST4 hysteresis = 4 2 _H HYST8 hysteresis = 8 3 _H HYST16 hysteresis = 16
CNT_UP_CH9	26:24	rwp	Upper timer trigger threshold channel 9 0 _H 1 measurement 1 _H 2 measurements 2 _H 4 measurements 3 _H 8 measurements 4 _H 16 measurements 5 _H 32 measurements 6 _H 64 measurements 7 _H 128 measurements
RES	23:21	r	Reserved Always read as 0
HYST_UP_CH8	20:19	rwp	Channel 8 upper hysteresis 0 _H HYSTOFF hysteresis switched off 1 _H HYST4 hysteresis = 4 2 _H HYST8 hysteresis = 8 3 _H HYST16 hysteresis = 16

Measurement Core Module (incl. ADC2)

Field	Bits	Type	Description
CNT_UP_CH8	18:16	rwp	Upper timer trigger threshold channel 8 0 _H 1 measurement 1 _H 2 measurements 2 _H 4 measurements 3 _H 8 measurements 4 _H 16 measurements 5 _H 32 measurements 6 _H 64 measurements 7 _H 128 measurements
RES	15:13	r	Reserved Always read as 0
HYST_UP_CH7	12:11	rwp	Channel 7 upper hysteresis 0 _H HYSTOFF hysteresis switched off 1 _H HYST4 hysteresis = 4 2 _H HYST8 hysteresis = 8 3 _H HYST16 hysteresis = 16
CNT_UP_CH7	10:8	rwp	Upper timer trigger threshold channel 7 0 _H 1 measurement 1 _H 2 measurements 2 _H 4 measurements 3 _H 8 measurements 4 _H 16 measurements 5 _H 32 measurements 6 _H 64 measurements 7 _H 128 measurements
RES	7:5	r	Reserved Always read as 0
HYST_UP_CH6	4:3	rwp	Channel 6 upper hysteresis 0 _H HYSTOFF hysteresis switched off 1 _H HYST4 hysteresis = 4 2 _H HYST8 hysteresis = 8 3 _H HYST16 hysteresis = 16
CNT_UP_CH6	2:0	rwp	Upper timer trigger threshold channel 6 0 _H 1 measurement 1 _H 2 measurements 2 _H 4 measurements 3 _H 8 measurements 4 _H 16 measurements 5 _H 32 measurements 6 _H 64 measurements 7 _H 128 measurements

Measurement Core Module (incl. ADC2)

Field	Bits	Type	Description
CNT_LO_CH2	18:16	rw	Lower timer trigger threshold channel 2 0 _H 1 measurement 1 _H 2 measurements 2 _H 4 measurements 3 _H 8 measurements 4 _H 16 measurements 5 _H 32 measurements 6 _H 64 measurements 7 _H 128 measurements
RES	15:13	r	Reserved Always read as 0
HYST_LO_CH1	12:11	rw	Channel 1 lower hysteresis 0 _H HYSTOFF hysteresis switched off 1 _H HYST4 hysteresis = 4 2 _H HYST8 hysteresis = 8 3 _H HYST16 hysteresis = 16
CNT_LO_CH1	10:8	rw	Lower timer trigger threshold channel 1 0 _H 1 measurement 1 _H 2 measurements 2 _H 4 measurements 3 _H 8 measurements 4 _H 16 measurements 5 _H 32 measurements 6 _H 64 measurements 7 _H 128 measurements
RES	7:5	r	Reserved Always read as 0
HYST_LO_CH0	4:3	rw	Channel 0 lower hysteresis 0 _H HYSTOFF hysteresis switched off 1 _H HYST4 hysteresis = 4 2 _H HYST8 hysteresis = 8 3 _H HYST16 hysteresis = 16
CNT_LO_CH0	2:0	rw	Lower timer trigger threshold channel 0 0 _H 1 measurement 1 _H 2 measurements 2 _H 4 measurements 3 _H 8 measurements 4 _H 16 measurements 5 _H 32 measurements 6 _H 64 measurements 7 _H 128 measurements

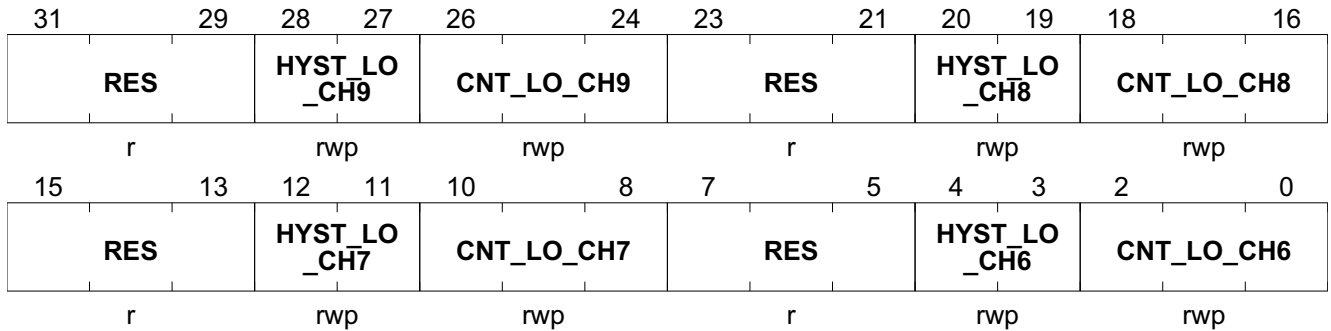
Measurement Core Module (incl. ADC2)

Field	Bits	Type	Description
CNT_LO_CH4	2:0	rw	Lower timer trigger threshold channel 4 0 _H 1 measurement 1 _H 2 measurements 2 _H 4 measurements 3 _H 8 measurements 4 _H 16 measurements 5 _H 32 measurements 6 _H 64 measurements 7 _H 128 measurements

Lower Counter Trigger Level Channel 6-9

The register is reset by RESET_TYPE_4.

CNT6_9_LOWER **Offset** **Reset Value**
Lower Counter Trigger Level Channel 6-9 **A0_H** **0A0A 0A0A_H**



Field	Bits	Type	Description
RES	31:29	r	Reserved Always read as 0
HYST_LO_CH9	28:27	rwp	Channel 9 lower hysteresis 0 _H HYSTOFF hysteresis switched off 1 _H HYST4 hysteresis = 4 2 _H HYST8 hysteresis = 8 3 _H HYST16 hysteresis = 16
CNT_LO_CH9	26:24	rwp	Lower timer trigger threshold channel 9 0 _H 1 measurement 1 _H 2 measurements 2 _H 4 measurements 3 _H 8 measurements 4 _H 16 measurements 5 _H 32 measurements 6 _H 64 measurements 7 _H 128 measurements
RES	23:21	r	Reserved Always read as 0
HYST_LO_CH8	20:19	rwp	Channel 8 lower hysteresis 0 _H HYSTOFF hysteresis switched off 1 _H HYST4 hysteresis = 4 2 _H HYST8 hysteresis = 8 3 _H HYST16 hysteresis = 16

Measurement Core Module (incl. ADC2)

Field	Bits	Type	Description
CNT_LO_CH8	18:16	rwp	Lower timer trigger threshold channel 8 0 _H 1 measurement 1 _H 2 measurements 2 _H 4 measurements 3 _H 8 measurements 4 _H 16 measurements 5 _H 32 measurements 6 _H 64 measurements 7 _H 128 measurements
RES	15:13	r	Reserved Always read as 0
HYST_LO_CH7	12:11	rwp	Channel 7 lower hysteresis 0 _H HYSTOFF hysteresis switched off 1 _H HYST4 hysteresis = 4 2 _H HYST8 hysteresis = 8 3 _H HYST16 hysteresis = 16
CNT_LO_CH7	10:8	rwp	Lower timer trigger threshold channel 7 0 _H 1 measurement 1 _H 2 measurements 2 _H 4 measurements 3 _H 8 measurements 4 _H 16 measurements 5 _H 32 measurements 6 _H 64 measurements 7 _H 128 measurements
RES	7:5	r	Reserved Always read as 0
HYST_LO_CH6	4:3	rwp	Channel 6 lower hysteresis 0 _H HYSTOFF hysteresis switched off 1 _H HYST4 hysteresis = 4 2 _H HYST8 hysteresis = 8 3 _H HYST16 hysteresis = 16
CNT_LO_CH6	2:0	rwp	Lower timer trigger threshold channel 6 0 _H 1 measurement 1 _H 2 measurements 2 _H 4 measurements 3 _H 8 measurements 4 _H 16 measurements 5 _H 32 measurements 6 _H 64 measurements 7 _H 128 measurements

23.8 Start-up Behavior after Reset

After the end of a reset phase the measurement sources and the post-processing units need some time for settling. In order to avoid undesired triggering of interrupts until the measurement signal acquisition is in a steady state, the status signals are forced to zero during the start-up phase.

The end of the start-up phase is indicated by the ready signal MCM_RDY.

Measurement Core start-up procedure: the startup time of the complete signal chain is 2200 EoC cycles. The IIR-filter coefficient is set to $a=2^{-1}$ (fastest response time of the IIR-filter).

During the startup phase, the DPP will use SQ=11_1111_1111, regardless of the sequence registers configuration.

23.9 Postprocessing Default Values

The following table shows the assigned measurements of the particular channels and the reset default values which are read from Firmware during power-up. Since the channels 6-9 of the unit are exclusively used for internal measurements, they can only be partly accessed by the application software.

Table 152 Channel allocation and postprocessing default settings (effective after reset)

Channel / MMODE ¹⁾	Analog	Digital ²⁾	Hyste-resis ³⁾	IIR - Filter ⁴⁾	Counters ⁵⁾	Functional Description
Ch. 0 / 0 _H VBAT	5.078 V	3A _H	2 _H (8)	2 _H (8)	2 _H (8)	Battery voltage sense input, lower
	16.88 V	C0 _H	3 _H (16)		2 _H (8)	upper
Ch. 1 / 0 _H VS	5.78 V	42 _H	2 _H (8)	2 _H (8)	3 _H (8)	Battery supply voltage input, lower
	17.3 V	C5 _H	3 _H (16)		3 _H (8)	upper
Ch. 2 / 0 _H VSD	5.78 V	2F _H	2 _H (8)	2 _H (8)	3 _H (8)	VSD voltage, lower
	23.4 V	BD _H	2 _H (8)		3 _H (8)	VSD voltage, upper
Ch. 3 / 0 _H VCP	5.2 V	18 _H	2 _H (8)	2 _H (8)	2 _H (4)	VCP voltage, lower
	35 V	AB _H	2 _H (8)		2 _H (4)	VCP voltage, upper
Ch. 4 / 0 _H MON	-	00 _H	2 _H (8)	2 _H (8)	3 _H (8)	MON voltage, lower
	-	00 _H	2 _H (8)		3 _H (8)	MON voltage, upper
Ch. 5 / 0 _H VDDP	4.5 V	9A _H	2 _H (8)	2 _H (8)	2 _H (4)	+5V, Port supply voltage, lower
	5.5 V	BC _H	2 _H (8)		2 _H (4)	+5V, Port supply voltage, upper
Ch. 6 / 0 _H VAREF	4.5 V	CD _H	2 _H (8)	1 _H (4)	2 _H (4)	VAREF, lower
	5.5 V	FA _H	2 _H (8)		2 _H (4)	VAREF upper
Ch. 7 / 0 _H VBG	1.01 V	9E _H	2 _H (8)	1 _H (4)	2 _H (4)	VBG, lower
	1.3 V	CB _H	2 _H (8)		2 _H (4)	VBG, upper
Ch. 8 / 0 _H VDDC	1.35V	D3 _H	3 _H (16)	2 _H (8)	3 _H (8)	Core supply voltage, lower
	1.6 V	FA _H	3 _H (16)		4 _H (16)	Core supply voltage, upper
Ch. 9 / 2 _H TEMP	0.94 V	C6 _H	3 _H (8)	2 _H (8)	3 _H (8)	temperature sensor: lower hysteresis threshold value corresponding to approx. 120°C
	1.05 V	DF _H	3 _H (16)		3 _H (8)	over-temperature threshold corresponding to nominal 168°C. The hysteresis corresponds to approximately 32°C.

Measurement Core Module (incl. ADC2)

- 1) MMODE of each channel is defined by sfr reset values: 00_{B} range control, 01_{B} under-voltage mode, 10_{B} over-voltage mode. The measurement mode for CH6 - CH9 can not be programmed by the user.
- 2) register: THx_y_LOWER / THx_y_UPPER
- 3) register: CNTx_y_LOWER / CNTx_y_UPPER; selectable decimal values [0, 4, 8, 16]
- 4) register: FILT_UP_CTRL / ADC2_FILT_LO_CTRL
- 5) register: CNTx_y_UPPER.CNT_LO_CHx / CNTx_y_LOWER.CNT_UP_CHx

24 10-Bit Analog Digital Converter (ADC1)

24.1 Features

The principal features of the ADC1 are:

- Up to 8 analog input channels
- Flexible results handling
 - 8-bit and 10-bit resolution
- Flexible source selection due to sequencer
 - insert one exceptional sequence (ESM)
 - insert one interrupt measurement into the current sequence (EIM), single or up to 128 times
 - software mode
- Conversion sample time (separate for each channel) adjustable to adapt to sensors and reference
- Standard external reference (VAREF) to support ratiometric measurements and different signal scales
- Support of suspend and power saving modes
- Result data protection for slow CPU access (wait-for-read mode)
- Programmable clock divider
- Integrated sample and hold circuitry

24.2 Introduction

The TLE9868QXB20 includes a high-performance 10-bit Analog-to-Digital Converter (ADC1) with eight multiplexed analog input channels. The ADC1 uses a successive approximation technique to convert the analog voltage levels from up to eight different sources. The analog input channels of the ADC1 are available at AN1, AN3 - AN5, AN7.

24.2.1 Block Diagram

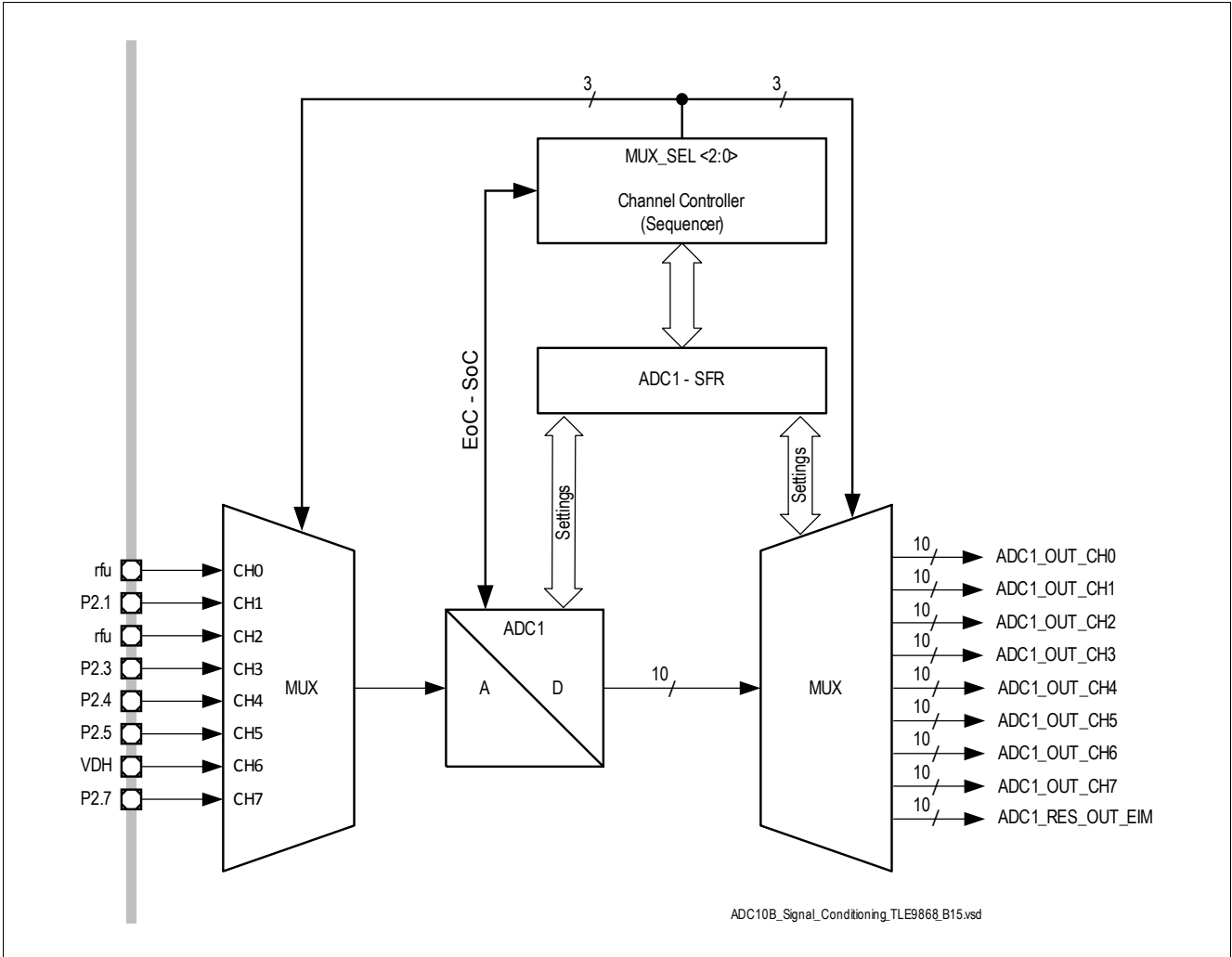


Figure 181 ADC1 Top Level Block Diagram

As shown in the figure above, the ADC1 postprocessing consists of a channel controller (Sequencer) and an 8-channel demultiplexer. The channel control block controls the multiplexer sequencing on the analog side before the ADC1 and on the digital domain after the ADC1. As described in the following section, the channel sequence can be controlled in a flexible way, which allows a certain degree of channel prioritization.

This capability can be used e.g. to give a higher priority to some channels compared to the other channel measurements.

24.2.2 ADC1 Modes Overview

The channel controller (Sequencer) runs in one of the following modes:

“Normal Sequencer Mode”, channels are selected out of 8 Sequence registers which contain individual enables for each of the 8 channels (SQ_FB.SQ_RUN = 1).

“Exceptional Interrupt Measurement”, upon a hardware event, a high priority channel is inserted into the current sequence.

“Exceptional Sequence Measurement”, upon a hardware event, a complete sequence is inserted into the current sequence. The current sequence (up to 8 measurements) is interrupted before the ESM sequence is inserted.

“Suspend Mode”: Exceptional Sequencer and Interrupt Measurement can be triggered, (all sequence register loaded with “00” and SQ_FB.SQ_RUN = 1, measurements by software can not be triggered.

“Debug Suspend Mode”: The corresponding bit MODSUSP2.ADC1_SUSP is set.

“Software Mode”, Exceptional Sequencer and Interrupt Measurement are ignored, each measurement is triggered by software, SQ_FB.SQ_RUN = 0

24.3 ADC1 - Core (10-Bit ADC)

24.3.1 Functional Description

In order to enable the ADC1 the following registers need to be set in order to enable the ADC1

- PMCON1.ADC1DIS = 0
- GLOBCTR.ANON = 11
- ADC1->CTRL_STS.PD_N = 1
- program sequencer (via ADC1->SQ_1_4 and ADC1->SQ_5_8)
- start sequencer ADC1->SQ_FB.SQ_RUN = 1

The different sequencer modes are controlled by SFR Register:

- “Normal Sequencer Mode” described in the Chapter [Channel Controller](#).
- “Exceptional Interrupt Measurement” (EIM), upon hardware event, the channel programmed in [CHx_EIM](#) is inserted immediately. The current measurement is aborted. Afterwards the current sequence will be continued (with the aborted measurement). An EIM will only be performed if at least one channel is enabled in the sequencer registers.
- “Exceptional Sequence Measurement” (ESM), upon hardware event, the sequence programmed in [CHx_ESM](#) is inserted immediately. The current measurement is aborted. After the sequence exception is finished the aborted sequence is selected and continued with the aborted measurement. After the Exceptional Sequence Measurement is finished an interrupt is issued. An ESM will only be performed if at least one channel is enabled in the sequencer registers. See [SQ1_4](#) and following sequence registers.
- “Software Mode”, in Software Mode the control of the Channel Controller (Sequencer) is disabled, instead the conversions are fully controlled by software. During Software Mode EIM and ESM hardware events are ignored. See [SQ1_4](#) and following sequence registers.

The default mode after reset of the ADC1 is Software Mode.

In case EIM and ESM hardware events occur at the same time, the EIM event is processed first.

While an ESM sequence is running, the sequence can be interrupted by one or more EIMs.

10-Bit Analog Digital Converter (ADC1)

The end of ESM and EIM is flagged via interrupt. In case of repeat count of EIM, the EIM interrupt is generated at the end of EIM sequence when the last EIM measurement is done.

Software Mode:

- Software mode is entered
 - by disabling the Sequencer ADC1.SQ_FB.SQ_RUN to zero. The Software mode is entered when the current measurement is finished.
 - In software mode, the conversion are controlled via CTRL_STS.
- The Software Mode is left
 - by enabling the Sequencer ADC1.SQ_FB.SQ_RUN to one. If the Sequencer is enabled, the Sequencer always starts with SQ1.

In Software Mode measurements are triggered by writing the CTRL_STS.SOC bit. This bit is active as long as the conversion is in progress. The user polls the CTRL_STS.EOC bit. Once this bit is '1' the conversion is finished and the EOC bit is cleared on read (rh). After the EOC bit is cleared a new conversion can be started CTRL_STS.SOC.

In Software Mode interrupts are generated.

Suspend Mode:

Suspend Mode is entered if all Sequences are programmed to zero but the Sequencer is still enabled, SQ_FB.ASQ_RUN is set to one. Exceptional Sequencer and Interrupt Measurement can be triggered, measurements by software can not be triggered (via CTRL_STS.SOC).

In Suspend Mode interrupts (for ESM and EIM) are generated.

Debug Suspend Mode:

During Debug Suspend Mode the Sequencer is stopped once the current measurement is finished (after the next EOC event). As long as the Debug Suspend Mode is active no measurements are performed by the Sequencer. EIM and ESM are ignored during Debug Suspend Mode.

During Debug Suspend Mode, conversions can be triggered via CTRL_STS.SOC bit in Software Mode.

24.3.2 ADC1 Control and Status Registers

Table 153 shows the module base address.

Table 153 Register Address Space

Module	Base Address	End Address	Note
ADC1	40004000 _H	40007FFF _H	ADC-SAR10B/DPP

Table 154 Register Overview

Register Short Name	Register Long Name	Offset Address	Reset Value
ADC1 Control and Status Registers			
CTRL_STS	ADC1 Control and Status Register	00 _H	0000 0000 _H
GLOBCTR	Global Control Register	04 _H	0000 0000 _H
GLOBSTR	Global Status Register	74 _H	0000 0000 _H

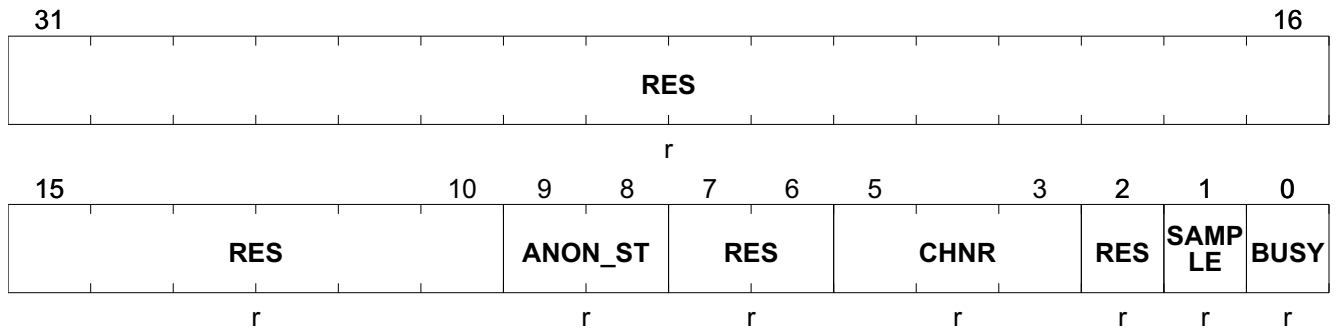
The registers are addressed wordwise.

10-Bit Analog Digital Converter (ADC1)

Global Status Register

The register is reset by RESET_TYPE_3.

GLOBSTR	Offset	Reset Value
Global Status Register	74 _H	0000 0000 _H



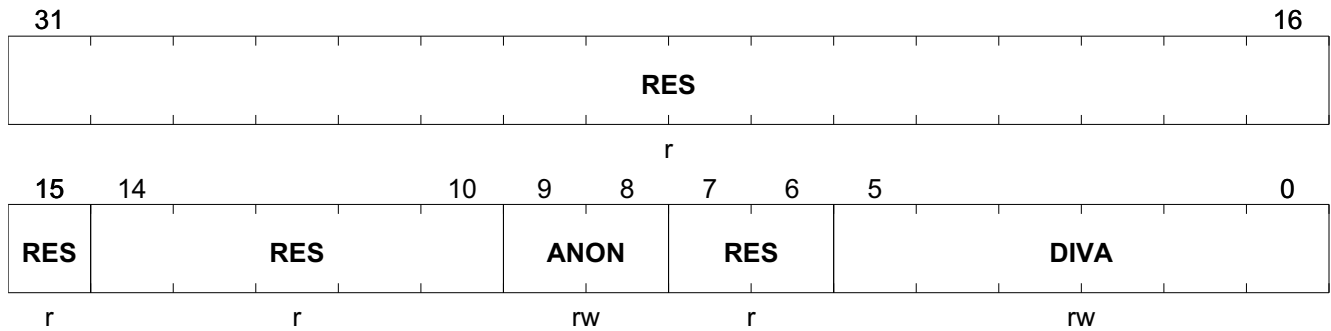
Field	Bits	Type	Description
RES	31:16	r	Reserved Always read as 0
RES	15:10	r	Reserved Always read as 0
ANON_ST	9:8	r	Analog Part Switched On 00 _B OFF ADC1 switched off 01 _B S_STANDBY Slow standby mode 10 _B F_STANDBY Fast standby mode 11 _B NORMAL Normal Operation
RES	7:6	r	Reserved Always read as 0
CHNR	5:3	r	Channel Number Indicates the current or last converted analog input channel. This bitfield is updated when a conversion is started.
RES	2	r	Reserved Always read as 0
SAMPLE	1	r	Sample Phase Indication 0 _B IDLE ADC1 is idle or converting 1 _B ACTIVE The Input signal is being sampled
BUSY	0	r	Analog Part Busy 0 _B IDLE ADC1 idle 1 _B ACTIVE ADC1 Conversion is currently running

10-Bit Analog Digital Converter (ADC1)

Global Control Register

The register is reset by RESET_TYPE_3.

GLOBCTR	Offset	Reset Value
Global Control Register	04 _H	0000 0000 _H



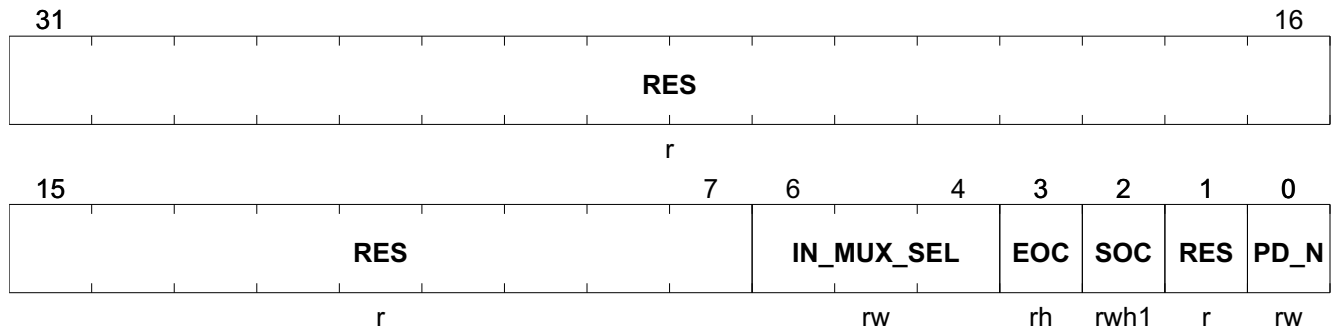
Field	Bits	Type	Description
RES	31:16	r	Reserved Always read as 0
RES	15	r	Reserved Always read as 0
RES	14:10	r	Reserved Always read as 0
ANON	9:8	rw	Analog Part Switched On 00 _B OFF ADC1 switched off 01 _B S_STANDBY Slow standby mode 10 _B F_STANDBY Fast standby mode 11 _B NORMAL Normal Operation
RES	7:6	r	Reserved Always read as 0
DIVA	5:0	rw	Divide Factor for the Analog internal clock Defines the frequency of the basic converter clock f_{ADC1} (base clock for conversion and sample phase). 00 _H $F_{adc1} = F_{adc}$ 01 _H $F_{adc1} = F_{adc}/2$ 02 _H $F_{adc1} = F_{adc}/3$ 03 _H ... 3F _H $F_{adc1} = F_{adc}/64$

10-Bit Analog Digital Converter (ADC1)

ADC1 Control and Status Register

The register is reset by RESET_TYPE_3.

CTRL_STS ADC1 Control and Status Register	Offset 00 _H	Reset Value 0000 0000 _H
---	----------------------------------	--



Field	Bits	Type	Description
RES	31:7	r	Reserved Always read as 0
IN_MUX_SEL	6:4	rw	Channel for software mode 000 _B CH0_EN Channel 0 enable 001 _B CH1_EN Channel 1 enable 010 _B CH2_EN Channel 2 enable 011 _B CH3_EN Channel 3 enable 100 _B CH4_EN Channel 4 enable 101 _B CH5_EN Channel 5 enable 110 _B CH6_EN Channel 6 enable 111 _B CH7_EN Channel 7 enable
EOC	3	rh	ADC1 End of Conversion (software mode) 0 _B Pending conversion still running 1 _B Finished conversion has finished
SOC	2	rwh1	ADC1 Start of Conversion (software mode) <i>Note: Bit is set by software to start conversion and it is cleared by hardware once the conversion is finished. ADC2_SOC can be only written if the DPP is in software mode.</i> 0 _B Disable no conversion is started 1 _B Enable conversion is started
RES	1	r	Reserved Always read as 0
PD_N	0	rw	ADC1 Power Down Signal 0 _B POWER DOWN ADC1 is powered down 1 _B ACTIVE ADC1 is switched on

24.4 Channel Controller

24.4.1 Functional Description

The task of each channel controller is a prioritization of the individual measurement channels. The sequencing scheme is illustrated in the example of following table and can be programmed individually for measurement unit.

Table 155 Measurement Channel Sequence (Definition Example)

Measurement channel n	MSB CH7	CH6	CH5	CH4	CH3	CH2	CH1	LSB CH0
SQ ₁ [7:0]	1	1	1	1	0	1	1	1
SQ ₂ [7:0]	1	1	1	0	1	0	0	0
SQ ₃ [7:0]	1	1	1	1	0	1	1	0
SQ ₄ [7:0]	1	1	1	0	1	0	0	1
SQ ₅ [7:0]	1	1	1	1	0	1	1	0
SQ ₆ [7:0]	1	1	1	0	1	0	0	0
SQ ₇ [7:0]	1	1	1	1	0	1	1	1
SQ ₈ [7:0]	1	1	1	0	1	0	0	0

The sequence registers SQ_n define the time sequence of the measurement channels by the following rules:

- The sequence registers define the measurement sequence and are evaluated from register 1 to 8 and for each bit from MSB to LSB, which defines a max. overall measurement count of 64 sampling and conversion cycles.
- If the individual bit in the sequence register is set to '1', the corresponding channel is measured.
- If the individual bit in the sequence register is set to '0', the corresponding channel is skipped.

In the upper example, the resulting channel sequence is defined as:

CH7, CH6, CH5, CH4, CH2, CH1, CH0, CH7, CH6, CH5, CH3,....

The following equations can be used to calculate the periodicity of the required channel measurement.

The overall measurement periodicity of all measurements in A/D conversion cycles is defined as:

(29)

$$\overline{N_{meas}} = \sum_{m=1}^8 \left(\sum_{n=1}^8 SQ_m[n] \right)$$

The average measurement periodicity of channel n in A/D conversion cycles is defined as

(30)

$$\overline{N_{meas\ n}} = \frac{\left(\sum_{m=1}^8 SQ_m[n] \right)}{T_{meas}}$$

Once a channel is selected by the sequence, the corresponding

- Data Width selection: 8- or 10-bit, **DWSEL**
- Sample Time $t_{SAMPLE} = (2 + STC) / f_{ADC1}$, **STC_0_3** and **STC_4_7** is selected.

Conversion Time

The total time required for a conversion depends on several user-definable factors:

- The ADC conversion clock frequency, where $f_{ADCI} = f_{ADC} / (DIVA+1)$.
- The selected sample time, where $t_{sample} = (2 + STC) \times t_{ADCI}$ (STC = additional sample time defined in [STC_0_3](#) and [STC_4_7](#))
- The selected result width N (8/10 bits), defined in [DWSEL](#)
- Synchronization steps done at module clock speed

The conversion time is the sum of sample time, conversion steps, and synchronization. It can be computed with the following formula:

$$t_{conv} = (3 + STC + N) \times t_{ADCI} + 1 \times t_{ADC} \quad (31)$$

Minimum conversion time: $t_{CN} = [3+0+8(\text{result width})] * 1 (\text{min DIVA}) + 1 = 12$ clock cycles

24.4.2 Channel Controller Control Registers
Table 156 Register Overview

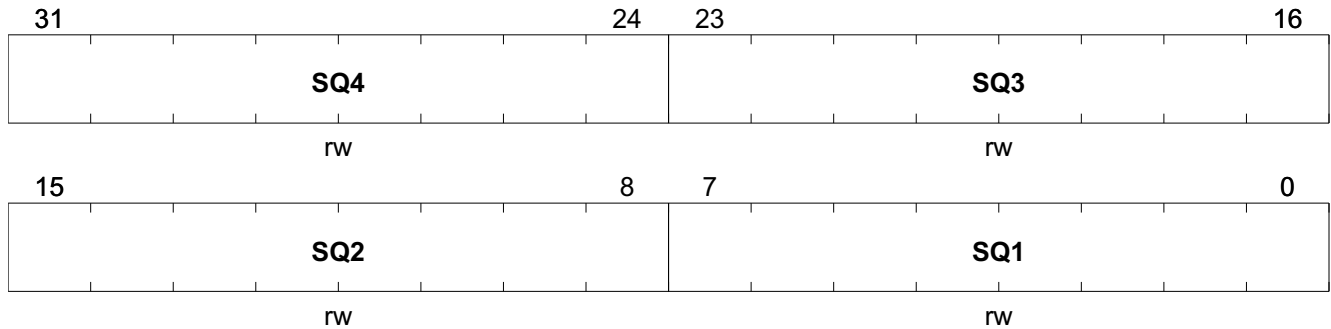
Register Short Name	Register Long Name	Offset Address	Reset Value
Channel Controller Control Registers			
CHx_EIM	Channel Setting Bits for Exceptional Interrupt Measurement	08 _H	0000 0000 _H
CHx_ESM	Channel Setting Bits for Exceptional Sequence Measurement	0C _H	0000 0000 _H
SQ1_4	Measurement Channel Enable Bits for Cycle 1-4	18 _H	0000 0000 _H
SQ5_8	Measurement Channel Enable Bits for Cycle 5-8	1C _H	0000 0000 _H
DWSEL	Measurement Channel Data Width Selection	24 _H	0000 0000 _H
STC_0_3	Measurement Channel Sample Time Control 0-3	28 _H	0000 0000 _H
STC_4_7	Measurement Channel Sample Time Control 4-7	2C _H	0000 0000 _H
SQ_FB	Sequencer Feedback Register	50 _H	0000 0000 _H

The registers are addressed wordwise.

Measurement Channel Enable Bits for Cycle 1-4

The register is reset by RESET_TYPE_4.

SQ1_4	Offset	Reset Value
Measurement Channel Enable Bits for Cycle 1-4	18_H	0000 0000_H



Field	Bits	Type	Description
SQ4	31:24	rw	<p>Sequence 4 channel enable</p> <p>The following values can be ored:</p> <p>0000 0001_BCH0_EN Channel 0 enable 0000 0010_BCH1_EN Channel 1 enable 0000 0100_BCH2_EN Channel 2 enable 0000 1000_BCH3_EN Channel 3 enable 0001 0000_BCH4_EN Channel 4 enable 0010 0000_BCH5_EN Channel 5 enable 0100 0000_BCH6_EN Channel 6 enable 1000 0000_BCH7_EN Channel 7 enable</p>
SQ3	23:16	rw	<p>Sequence 3 channel enable</p> <p>The following values can be ored:</p> <p>0000 0001_BCH0_EN Channel 0 enable 0000 0010_BCH1_EN Channel 1 enable 0000 0100_BCH2_EN Channel 2 enable 0000 1000_BCH3_EN Channel 3 enable 0001 0000_BCH4_EN Channel 4 enable 0010 0000_BCH5_EN Channel 5 enable 0100 0000_BCH6_EN Channel 6 enable 1000 0000_BCH7_EN Channel 7 enable</p>
SQ2	15:8	rw	<p>Sequence 2 channel enable</p> <p>The following values can be ored:</p> <p>0000 0001_BCH0_EN Channel 0 enable 0000 0010_BCH1_EN Channel 1 enable 0000 0100_BCH2_EN Channel 2 enable 0000 1000_BCH3_EN Channel 3 enable 0001 0000_BCH4_EN Channel 4 enable 0010 0000_BCH5_EN Channel 5 enable 0100 0000_BCH6_EN Channel 6 enable 1000 0000_BCH7_EN Channel 7 enable</p>

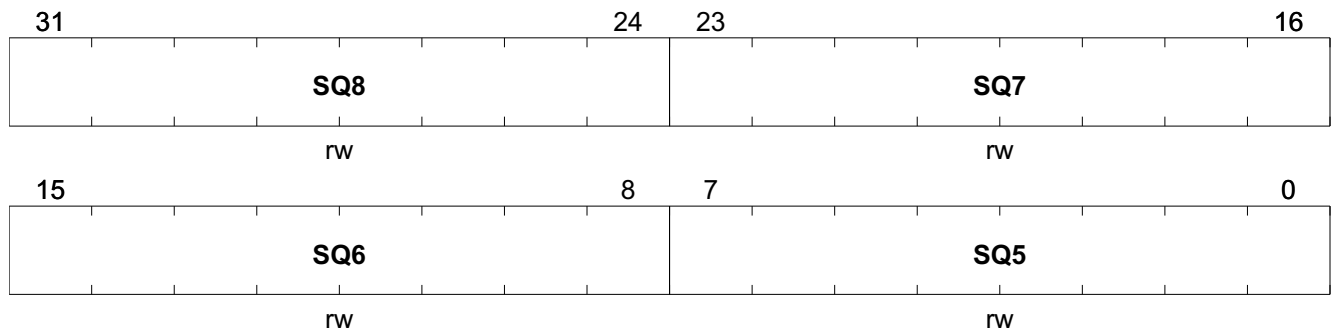
10-Bit Analog Digital Converter (ADC1)

Field	Bits	Type	Description
SQ1	7:0	rw	<p>Sequence 1 channel enable The following values can be ored: <i>Note: SQ1-SQ4 should be only written is sequencer is disabled /Software Mode enabled SQ_RUN = 0. SQ1-SQ4 should not be written with "0000 0000".</i></p> <p>0000 0001_BCH0_EN Channel 0 enable 0000 0010_BCH1_EN Channel 1 enable 0000 0100_BCH2_EN Channel 2 enable 0000 1000_BCH3_EN Channel 3 enable 0001 0000_BCH4_EN Channel 4 enable 0010 0000_BCH5_EN Channel 5 enable 0100 0000_BCH6_EN Channel 6 enable 1000 0000_BCH7_EN Channel 7 enable</p>

Measurement Channel Enable Bits for Cycle 5-8

The register is reset by RESET_TYPE_4.

SQ5_8 **Offset**
Measurement Channel Enable Bits for Cycle **1C_H**
5-8 **Reset Value**
0000 0000_H



Field	Bits	Type	Description
SQ8	31:24	rw	Sequence 8 channel enable The following values can be ored: 0000 0001 _B CH0_EN Channel 0 enable 0000 0010 _B CH1_EN Channel 1 enable 0000 0100 _B CH2_EN Channel 2 enable 0000 1000 _B CH3_EN Channel 3 enable 0001 0000 _B CH4_EN Channel 4 enable 0010 0000 _B CH5_EN Channel 5 enable 0100 0000 _B CH6_EN Channel 6 enable 1000 0000 _B CH7_EN Channel 7 enable
SQ7	23:16	rw	Sequence 7 channel enable The following values can be ored: 0000 0001 _B CH0_EN Channel 0 enable 0000 0010 _B CH1_EN Channel 1 enable 0000 0100 _B CH2_EN Channel 2 enable 0000 1000 _B CH3_EN Channel 3 enable 0001 0000 _B CH4_EN Channel 4 enable 0010 0000 _B CH5_EN Channel 5 enable 0100 0000 _B CH6_EN Channel 6 enable 1000 0000 _B CH7_EN Channel 7 enable
SQ6	15:8	rw	Sequence 6 channel enable The following values can be ored: 0000 0001 _B CH0_EN Channel 0 enable 0000 0010 _B CH1_EN Channel 1 enable 0000 0100 _B CH2_EN Channel 2 enable 0000 1000 _B CH3_EN Channel 3 enable 0001 0000 _B CH4_EN Channel 4 enable 0010 0000 _B CH5_EN Channel 5 enable 0100 0000 _B CH6_EN Channel 6 enable 1000 0000 _B CH7_EN Channel 7 enable

10-Bit Analog Digital Converter (ADC1)

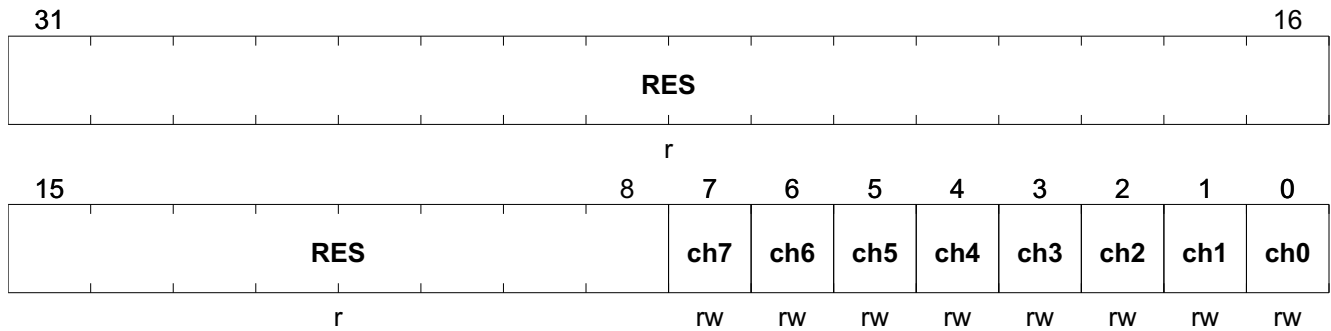
Field	Bits	Type	Description
SQ5	7:0	rw	<p>Sequence 5 channel enable The following values can be ored: <i>Note: SQ5-SQ8 should be only written is sequencer is disabled /Software Mode enabled SQ_RUN = 0. SQ5-SQ8 should not be written with "0000 0000"</i></p> <p>0000 0001_BCH0_EN Channel 0 enable 0000 0010_BCH1_EN Channel 1 enable 0000 0100_BCH2_EN Channel 2 enable 0000 1000_BCH3_EN Channel 3 enable 0001 0000_BCH4_EN Channel 4 enable 0010 0000_BCH5_EN Channel 5 enable 0100 0000_BCH6_EN Channel 6 enable 1000 0000_BCH7_EN Channel 7 enable</p>

10-Bit Analog Digital Converter (ADC1)

Measurement Channel Data Width Selection

The register is reset by RESET_TYPE_4.

DWSEL	Offset	Reset Value
Measurement Channel Data Width Selection	24 _H	0000 0000 _H



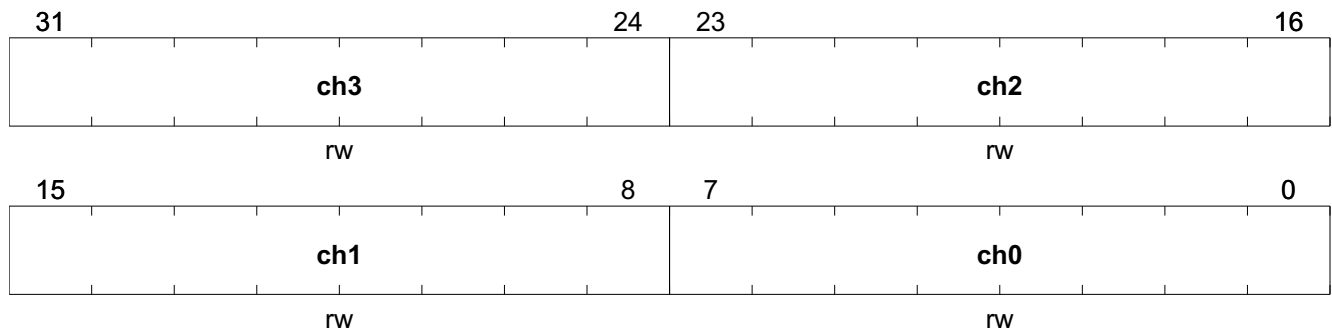
Field	Bits	Type	Description
RES	31:8	r	Reserved Always read as 0
ch7	7	rw	Data Width channel 7 0 _B 10BIT The result is 10 bits wide (bits 11 .. 2) 1 _B 8BIT The result is 8 bits wide (bits 11 .. 4)
ch6	6	rw	Data Width channel 6 0 _B 10BIT The result is 10 bits wide (bits 11 .. 2) 1 _B 8BIT The result is 8 bits wide (bits 11 .. 4)
ch5	5	rw	Data Width channel 5 0 _B 10BIT The result is 10 bits wide (bits 11 .. 2) 1 _B 8BIT The result is 8 bits wide (bits 11 .. 4)
ch4	4	rw	Data Width channel 4 0 _B 10BIT The result is 10 bits wide (bits 11 .. 2) 1 _B 8BIT The result is 8 bits wide (bits 11 .. 4)
ch3	3	rw	Data Width channel 3 0 _B 10BIT The result is 10 bits wide (bits 11 .. 2) 1 _B 8BIT The result is 8 bits wide (bits 11 .. 4)
ch2	2	rw	Data Width channel 2 0 _B 10BIT The result is 10 bits wide (bits 11 .. 2) 1 _B 8BIT The result is 8 bits wide (bits 11 .. 4)
ch1	1	rw	Data Width channel 1 0 _B 10BIT The result is 10 bits wide (bits 11 .. 2) 1 _B 8BIT The result is 8 bits wide (bits 11 .. 4)
ch0	0	rw	Data Width channel 0 0 _B 10BIT The result is 10 bits wide (bits 11 .. 2) 1 _B 8BIT The result is 8 bits wide (bits 11 .. 4)

10-Bit Analog Digital Converter (ADC1)

Measurement Channel Sample Time Control 0-3

The register is reset by RESET_TYPE_4.

STC_0_3	Offset	Reset Value
Measurement Channel Sample Time Control 0-3	28_H	0000 0000_H



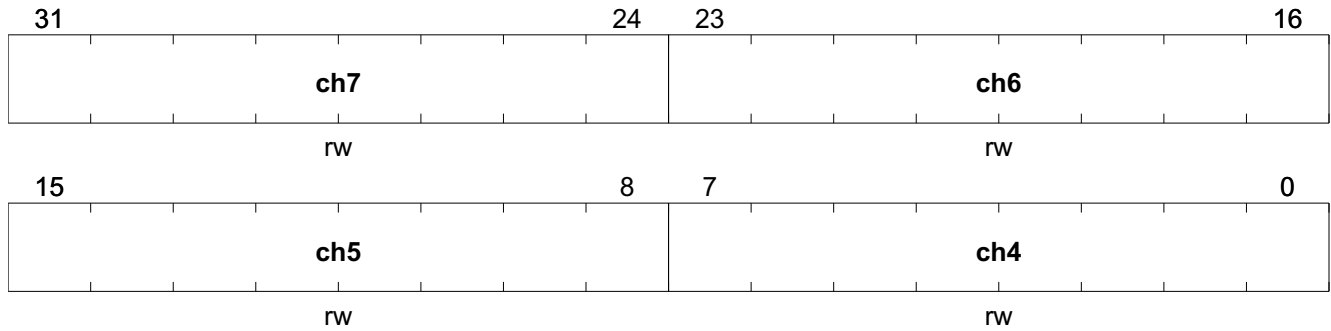
Field	Bits	Type	Description
ch3	31:24	rw	Sample Time Control for Channel 3 Number of additional clock cycles to be added to the minimum sample phase of 2 analog clock cycles: $t_{\text{SAMPLE}} = (2 + \text{STC}) / f_{\text{ADCI}}$
ch2	23:16	rw	Sample Time Control for Channel 2 Number of additional clock cycles to be added to the minimum sample phase of 2 analog clock cycles: $t_{\text{SAMPLE}} = (2 + \text{STC}) / f_{\text{ADCI}}$
ch1	15:8	rw	Sample Time Control for Channel 1 Number of additional clock cycles to be added to the minimum sample phase of 2 analog clock cycles: $t_{\text{SAMPLE}} = (2 + \text{STC}) / f_{\text{ADCI}}$
ch0	7:0	rw	Sample Time Control for Channel 0 Number of additional clock cycles to be added to the minimum sample phase of 2 analog clock cycles: $t_{\text{SAMPLE}} = (2 + \text{STC}) / f_{\text{ADCI}}$

10-Bit Analog Digital Converter (ADC1)

Measurement Channel Sample Time Control 4-7

The register is reset by RESET_TYPE_4.

STC_4_7	Offset	Reset Value
Measurement Channel Sample Time Control 4-7	2C_H	0000 0000_H



Field	Bits	Type	Description
ch7	31:24	rw	Sample Time Control for Channel 7 Number of additional clock cycles to be added to the minimum sample phase of 2 analog clock cycles: $t_{\text{SAMPLE}} = (2 + \text{STC}) / f_{\text{ADCI}}$
ch6	23:16	rw	Sample Time Control for Channel 6 Number of additional clock cycles to be added to the minimum sample phase of 2 analog clock cycles: $t_{\text{SAMPLE}} = (2 + \text{STC}) / f_{\text{ADCI}}$
ch5	15:8	rw	Sample Time Control for Channel 5 Number of additional clock cycles to be added to the minimum sample phase of 2 analog clock cycles: $t_{\text{SAMPLE}} = (2 + \text{STC}) / f_{\text{ADCI}}$
ch4	7:0	rw	Sample Time Control for Channel 4 Number of additional clock cycles to be added to the minimum sample phase of 2 analog clock cycles: $t_{\text{SAMPLE}} = (2 + \text{STC}) / f_{\text{ADCI}}$

10-Bit Analog Digital Converter (ADC1)

Field	Bits	Type	Description
SQ_RUN	8	rw	ADC1 Sequencer RUN 0 _B SQ Stopped Postprocessing Sequencer in stopped / Software mode 1 _B SQ Running Postprocessing Sequencer is running
RES	7:0	r	Reserved Always read as 0

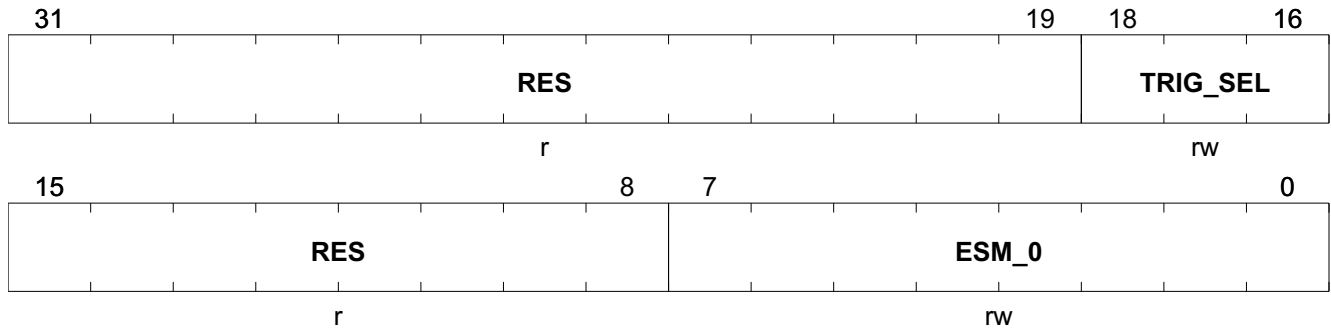
10-Bit Analog Digital Converter (ADC1)

Field	Bits	Type	Description
CHx	2:0	rw	Channel set for exceptional interrupt measurement (EIM) 000 _B CH0_EN Channel 0 enable 001 _B CH1_EN Channel 1 enable 010 _B CH2_EN Channel 2 enable 011 _B CH3_EN Channel 3 enable 100 _B CH4_EN Channel 4 enable 101 _B CH5_EN Channel 5 enable 110 _B CH6_EN Channel 6 enable 111 _B CH7_EN Channel 7 enable

Channel Setting for Exceptional Sequence Measurement

The register is reset by RESET_TYPE_3.

CHx_ESM Channel Setting Bits for Exceptional Sequence Measurement	Offset 0C _H	Reset Value 0000 0000 _H
---	----------------------------------	--



Field	Bits	Type	Description
RES	31:19	r	Reserved Always read as 0
TRIG_SEL	18:16	rw	Trigger selection for exceptional interrupt measurement (ESM) 000 _B NONE 001 _B COU63 CCU6 Channel3 010 _B GPT12_T6OUT 011 _B GPT12_T3OUT 100 _B T2 t2_adc_trigger 101 _B T21 t21_adc_trigger 110 _B CCU_6_INT ccu6_int, Timer3 output 111 _B RES reserved
RES	15:8	r	Reserved Always read as 0
ESM_0	7:0	rw	Channel Sequence for Exceptional Sequence Measurement (ESM) Note: update to ESM sequence should be written while trigger selection (ADC1_ESM_TRIG_SEL) is set to none. The following values can be stored: 0000 0001 _B CH0_EN Channel 0 enable 0000 0010 _B CH1_EN Channel 1 enable 0000 0100 _B CH2_EN Channel 2 enable 0000 1000 _B CH3_EN Channel 3 enable 0001 0000 _B CH4_EN Channel 4 enable 0010 0000 _B CH5_EN Channel 5 enable 0100 0000 _B CH6_EN Channel 6 enable 1000 0000 _B CH7_EN Channel 7 enable

24.5 Conversion Result Handling

24.5.1 Functional Description

Each Result Register **RES_OUT0** - **RES_OUT7** has a valid flag and an optional wait-for-read mode (WFR) configuration bit.

The valid flag indicates if the corresponding result register contains valid data. The valid bit is set by hardware once the ADC conversion is ready and stored in the corresponding result register. It is cleared once the result is read by software.

Wait-for-read mode

The wait-for-read mode is a feature to prevent data loss due to overwriting a result register with a new conversion result before the CPU has read the previous data.

Wait-for-read mode prevents overwriting of result register. The conversion is always started, however the result is only written to the result register in case the valid bit is set to zero. In case the valid bit is set to one, the result of the ADC is ignored.

24.5.2 Result Registers

In Software Mode, the WFR configuration bit is ignored. In software mode the result register is always updated, but VF is still set and OF retains its value.

Table 157 Register Overview

Register Short Name	Register Long Name	Offset Address	Reset Value
Result Registers			
RES_OUT_EIM	ADC1 Output Channel EIM	40 _H	0000 0XXX _H
RES_OUT7	ADC1 Output Channel 7	54 _H	0000 0XXX _H
RES_OUT6	ADC1 Output Channel 6	58 _H	0000 0XXX _H
RES_OUT5	ADC1 Output Channel 5	5C _H	0000 0XXX _H
RES_OUT4	ADC1 Output Channel 4	60 _H	0000 0XXX _H
RES_OUT3	ADC1 Output Channel 3	64 _H	0000 0XXX _H
RES_OUT2	ADC1 Output Channel 2	68 _H	0000 0XXX _H
RES_OUT1	ADC1 Output Channel 1	6C _H	0000 0XXX _H
RES_OUT0	ADC1 Output Channel 0	70 _H	0000 0XXX _H

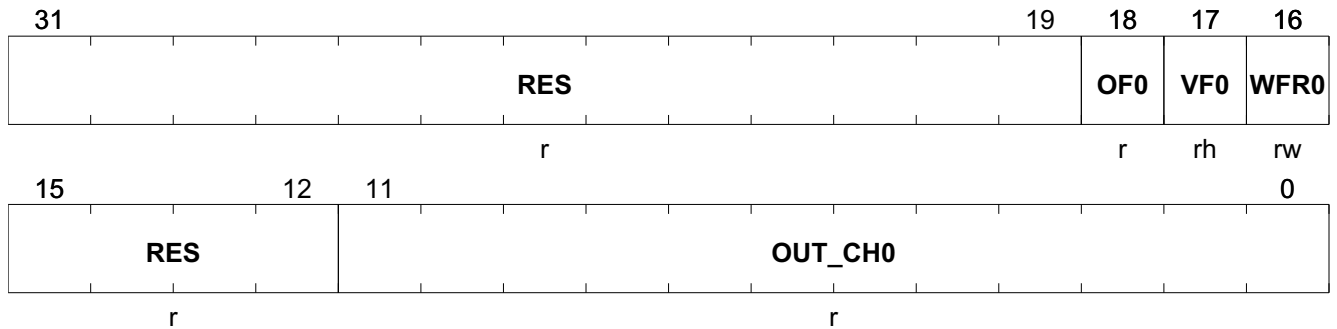
The registers are addressed wordwise.

10-Bit Analog Digital Converter (ADC1)

ADC1 Output Channel 0

The register is reset by RESET_TYPE_3.

RES_OUT0 ADC1 Output Channel 0	Offset 70 _H	Reset Value 0000 0XXX _H
--	----------------------------------	--



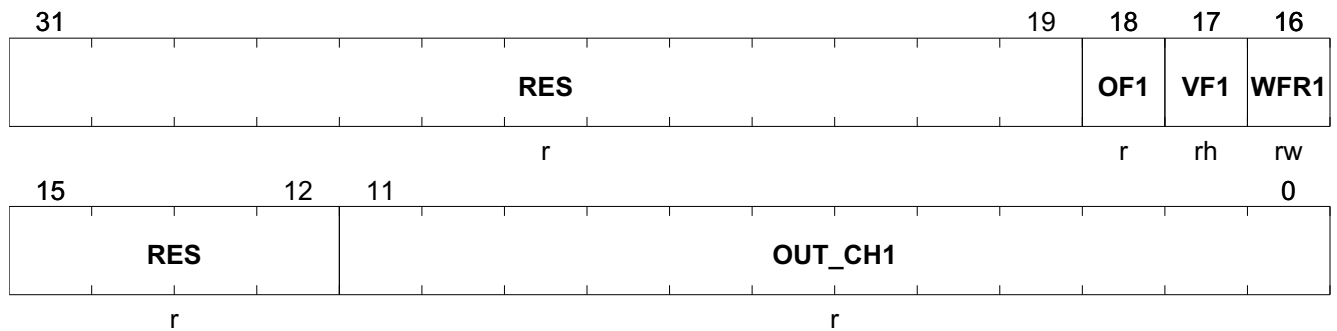
Field	Bits	Type	Description
RES	31:19	r	Reserved Always read as 0
OF0	18	r	Overrun Flag Indicates if the result register is overwritten with new content (bit is set if VFX = 1 and new result is updated by hardware). <i>Note: Only set in WFRx = DISABLE and no software mode, clear on read of result register</i> 0 _B NO OVERRUN Result register not overwritten 1 _B OVERRUN Result register overwritten
VF0	17	rh	Valid Flag Indicates valid contents in result register bit field OUT_CH0 <i>Note: Bit is set by hardware on update of result register and it is cleared by software once the result register is read</i> 0 _B NOT VALID No new valid data available 1 _B VALID Result register contains valid data and has not yet been read
WFR0	16	rw	Wait-for-Read Mode Enables wait-for-read mode for result register 0 _B DISABLE overwrite mode 1 _B ENABLE wait-for-read mode enabled
RES	15:12	r	Reserved Always read as 0
OUT_CH0	11:0	r	Output reset value Channel 0 8 bit conversion: OUT_CH0[11:4] = result[7:0], the four LSB OUT_CH0[3:0] are padded with "0000" 10 bit conversion: OUT_CH0[11:2] = result[9:0], the two LSB OUT_CH0[1:0] are padded with "00"

10-Bit Analog Digital Converter (ADC1)

ADC1 Output Channel 1

The register is reset by RESET_TYPE_3.

RES_OUT1	Offset	Reset Value
ADC1 Output Channel 1	6C_H	0000 0XXX_H



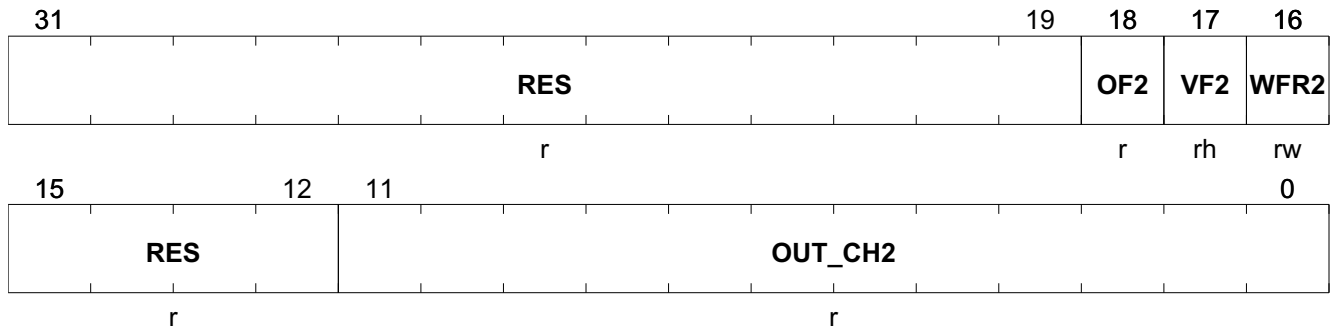
Field	Bits	Type	Description
RES	31:19	r	Reserved Always read as 0
OF1	18	r	Overrun Flag Indicates if the result register is overwritten with new content (bit is set if VF _x = 1 and new result is updated by hardware). <i>Note: Only set in WFR_x = DISABLE and no software mode, clear on read of result register</i> 0 _B NO OVERRUN Result register not overwritten 1 _B OVERRUN Result register overwritten
VF1	17	rh	Valid Flag Indicates valid contents in result register bit field OUT_CH1 <i>Note: Bit is set by hardware on update of result register and it is cleared by software once the result register is reads</i> 0 _B NOT VALID No new valid data available 1 _B VALID Result register contains valid data and has not yet been read
WFR1	16	rw	Wait-for-Read Mode Enables wait-for-read mode for result register 0 _B DISABLE overwrite mode 1 _B ENABLE wait-for-read mode enabled
RES	15:12	r	Reserved Always read as 0
OUT_CH1	11:0	r	ADC1 Output result value Channel 1 8 bit conversion: OUT_CH1[11:4] = result[7:0], the four LSB OUT_CH1[3:0] are padded with "0000" 10 bit conversion: OUT_CH1[11:2] = result[9:0], the two LSB OUT_CH1[1:0] are padded with "00"

10-Bit Analog Digital Converter (ADC1)

ADC1 Output Channel 2

The register is reset by RESET_TYPE_3.

RES_OUT2 ADC1 Output Channel 2	Offset 68 _H	Reset Value 0000 0XXX _H
--	----------------------------------	--



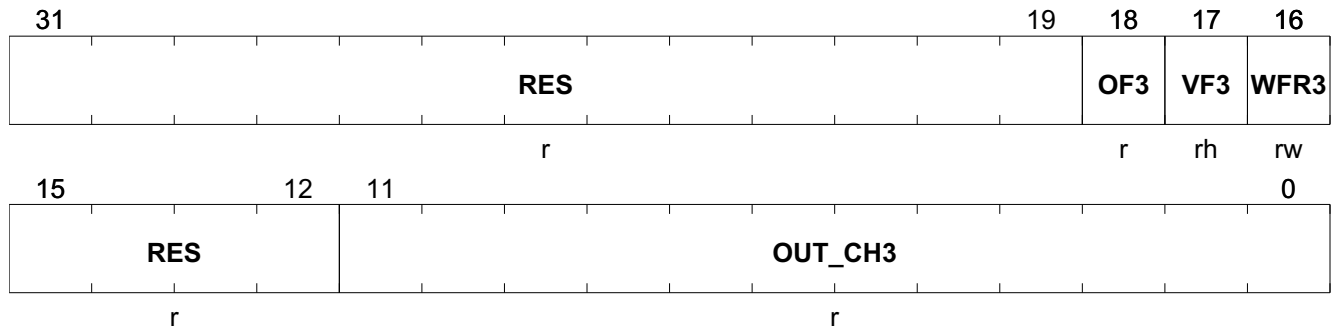
Field	Bits	Type	Description
RES	31:19	r	Reserved Always read as 0
OF2	18	r	Overrun Flag Indicates if the result register is overwritten with new content (bit is set if VFx = 1 and new result is updated by hardware). <i>Note: Only set in WFRx = DISABLE and no software mode, clear on read of result register</i> 0 _B NO OVERRUN Result register not overwritten 1 _B OVERRUN Result register overwritten
VF2	17	rh	Valid Flag Indicates valid contents in result register bit field OUT_CH2 <i>Note: Bit is set by hardware on update of result register and it is cleared by software once the result register is read</i> 0 _B NOT VALID No new valid data available 1 _B VALID Result register contains valid data and has not yet been read
WFR2	16	rw	Wait-for-Read Mode Enables wait-for-read mode for result register 0 _B DISABLE overwrite mode 1 _B ENABLE wait-for-read mode enabled
RES	15:12	r	Reserved Always read as 0
OUT_CH2	11:0	r	ADC1 Output result value Channel 2 8 bit conversion: OUT_CH2[11:4] = result[7:0], the four LSB OUT_CH2[3:0] are padded with "0000" 10 bit conversion: OUT_CH2[11:2] = result[9:0], the two LSB OUT_CH2[1:0] are padded with "00"

10-Bit Analog Digital Converter (ADC1)

ADC1 Output Channel 3

The register is reset by RESET_TYPE_3.

RES_OUT3 ADC1 Output Channel 3	Offset 64 _H	Reset Value 0000 0XXX _H
--	----------------------------------	--



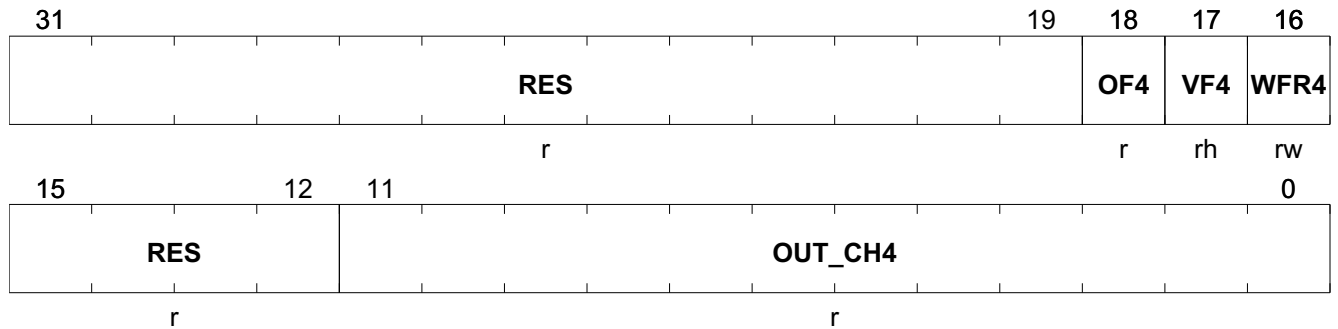
Field	Bits	Type	Description
RES	31:19	r	Reserved Always read as 0
OF3	18	r	Overrun Flag Indicates if the result register is overwritten with new content (bit is set if VFx = 1 and new result is updated by hardware). <i>Note: Only set in WFRx = DISABLE and no software mode, clear on read of result register</i> 0 _B NO OVERRUN Result register not overwritten 1 _B OVERRUN Result register overwritten
VF3	17	rh	Valid Flag Indicates valid contents in result register bit field OUT_CH3 <i>Note: Bit is set by hardware on update of result register and it is cleared by software once the result register is read</i> 0 _B NOT VALID No new valid data available 1 _B VALID Result register contains valid data and has not yet been read
WFR3	16	rw	Wait-for-Read Mode Enables wait-for-read mode for result register 0 _B DISABLE overwrite mode 1 _B ENABLE wait-for-read mode enabled
RES	15:12	r	Reserved Always read as 0
OUT_CH3	11:0	r	ADC1 Output result value Channel 3 8 bit conversion: OUT_CH3[11:4] = result[7:0], the four LSB OUT_CH3[3:0] are padded with "0000" 10 bit conversion: OUT_CH3[11:2] = result[9:0], the two LSB OUT_CH3[1:0] are padded with "00"

10-Bit Analog Digital Converter (ADC1)

ADC1 Output Channel 4

The register is reset by RESET_TYPE_3.

RES_OUT4	Offset	Reset Value
ADC1 Output Channel 4	60 _H	0000 0XXX _H



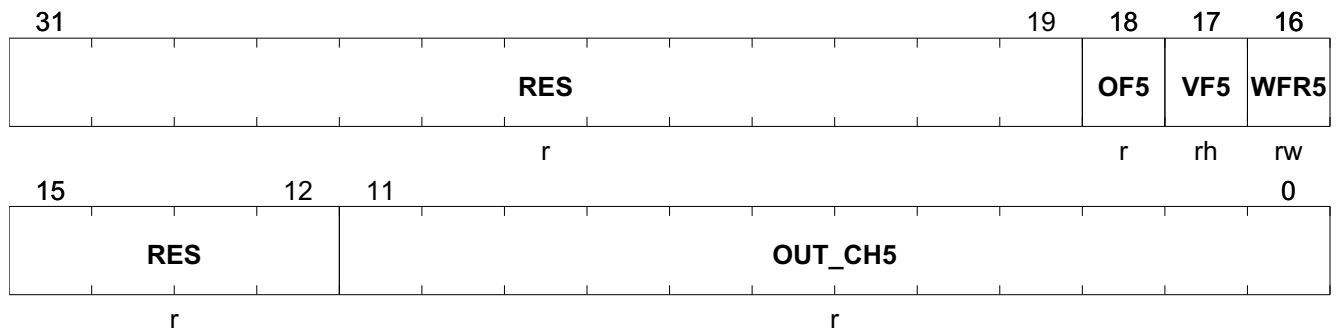
Field	Bits	Type	Description
RES	31:19	r	Reserved Always read as 0
OF4	18	r	Overrun Flag Indicates if the result register is overwritten with new content (bit is set if VFx = 1 and new result is updated by hardware). <i>Note: Only set in WFRx = DISABLE and no software mode, clear on read of result register</i> 0 _B NO OVERRUN Result register not overwritten 1 _B OVERRUN Result register overwritten
VF4	17	rh	Valid Flag Indicates valid contents in result register bit field OUT_CH4 <i>Note: Bit is set by hardware on update of result register and it is cleared by software once the result register is read</i> 0 _B NOT VALID No new valid data available 1 _B VALID Result register contains valid data and has not yet been read
WFR4	16	rw	Wait-for-Read Mode Enables wait-for-read mode for result register 0 _B DISABLE overwrite mode 1 _B ENABLE wait-for-read mode enabled
RES	15:12	r	Reserved Always read as 0
OUT_CH4	11:0	r	ADC1 Output result value Channel 4 8 bit conversion: OUT_CH4[11:4] = result[7:0], the four LSB OUT_CH4[3:0] are padded with "0000" 10 bit conversion: OUT_CH4[11:2] = result[9:0], the two LSB OUT_CH4[1:0] are padded with "00"

10-Bit Analog Digital Converter (ADC1)

ADC1 Output Channel 5

The register is reset by RESET_TYPE_3.

RES_OUT5	Offset	Reset Value
ADC1 Output Channel 5	5C _H	0000 0XXX _H



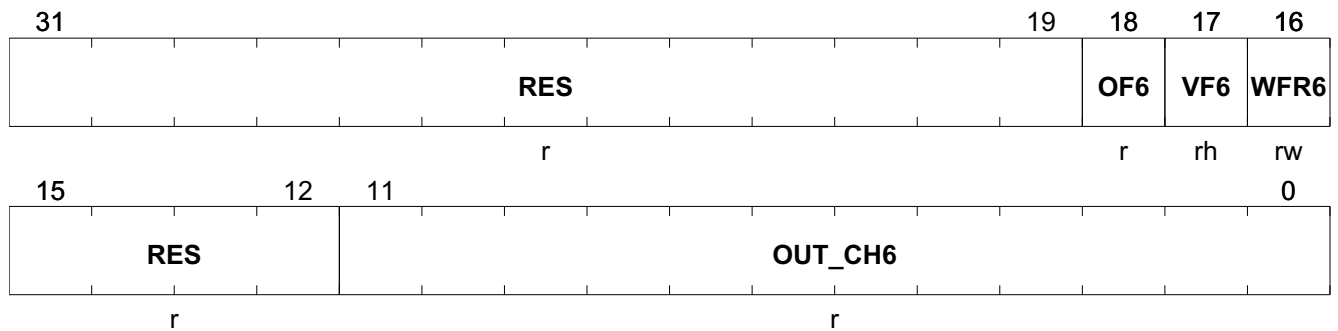
Field	Bits	Type	Description
RES	31:19	r	Reserved Always read as 0
OF5	18	r	Overrun Flag Indicates if the result register is overwritten with new content (bit is set if VFX = 1 and new result is updated by hardware). <i>Note: Only set in WFRx = DISABLE and no software mode, clear on read of result register</i> 0 _B NO OVERRUN Result register not overwritten 1 _B OVERRUN Result register overwritten
VF5	17	rh	Valid Flag Indicates valid contents in result register bit field OUT_CH5 <i>Note: Bit is set by hardware on update of result register and it is cleared by software once the result register is read</i> 0 _B NOT VALID No new valid data available 1 _B VALID Result register contains valid data and has not yet been read
WFR5	16	rw	Wait-for-Read Mode Enables wait-for-read mode for result register 0 _B DISABLE overwrite mode 1 _B ENABLE wait-for-read mode enabled
RES	15:12	r	Reserved Always read as 0
OUT_CH5	11:0	r	ADC1 Output result value Channel 5 8 bit conversion: OUT_CH5[11:4] = result[7:0], the four LSB OUT_CH5[3:0] are padded with "0000" 10 bit conversion: OUT_CH5[11:2] = result[9:0], the two LSB OUT_CH5[1:0] are padded with "00"

10-Bit Analog Digital Converter (ADC1)

ADC1 Output Channel 6

The register is reset by RESET_TYPE_3.

RES_OUT6	Offset	Reset Value
ADC1 Output Channel 6	58 _H	0000 0XXX _H



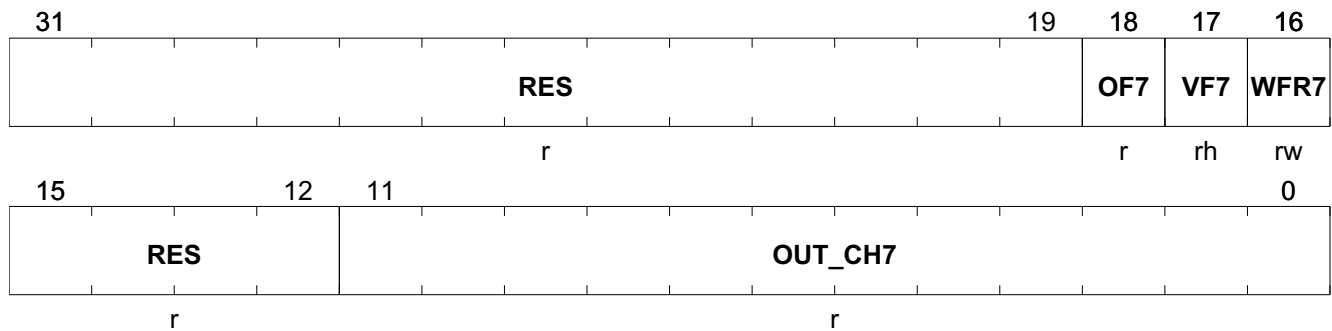
Field	Bits	Type	Description
RES	31:19	r	Reserved Always read as 0
OF6	18	r	Overrun Flag Indicates if the result register is overwritten with new content (bit is set if VFx = 1 and new result is updated by hardware). <i>Note: Only set in WFRx = DISABLE and no software mode, clear on read of result register</i> 0 _B NO OVERRUN Result register not overwritten 1 _B OVERRUN Result register overwritten
VF6	17	rh	Valid Flag Indicates valid contents in result register bit field OUT_CH6 <i>Note: Bit is set by hardware on update of result register and it is cleared by software once the result register is read</i> 0 _B NOT VALID No new valid data available 1 _B VALID Result register contains valid data and has not yet been read
WFR6	16	rw	Wait-for-Read Mode Enables wait-for-read mode for result register 0 _B DISABLE overwrite mode 1 _B ENABLE wait-for-read mode enabled
RES	15:12	r	Reserved Always read as 0
OUT_CH6	11:0	r	ADC1 Output result value Channel 6 8 bit conversion: OUT_CH6[11:4] = result[7:0], the four LSB OUT_CH6[3:0] are padded with "0000" 10 bit conversion: OUT_CH6[11:2] = result[9:0], the two LSB OUT_CH6[1:0] are padded with "00"

10-Bit Analog Digital Converter (ADC1)

ADC1 Output Channel 7

The register is reset by RESET_TYPE_3.

RES_OUT7	Offset	Reset Value
ADC1 Output Channel 7	54_H	0000 0XXX_H



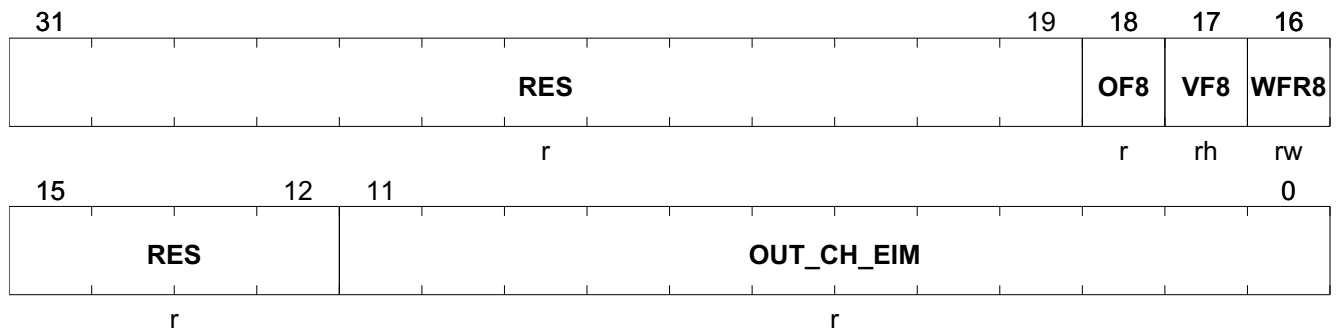
Field	Bits	Type	Description
RES	31:19	r	Reserved Always read as 0
OF7	18	r	Overrun Flag Indicates if the result register is overwritten with new content (bit is set if VFx = 1 and new result is updated by hardware). <i>Note: Only set in WFRx = DISABLE and no software mode, clear on read of result register</i> 0 _B NO OVERRUN Result register not overwritten 1 _B OVERRUN Result register overwritten
VF7	17	rh	Valid Flag Indicates valid contents in result register bit field OUT_CH7 <i>Note: Bit is set by hardware on update of result register and it is cleared by software once the result register is read</i> 0 _B NOT VALID No new valid data available 1 _B VALID Result register contains valid data and has not yet been read
WFR7	16	rw	Wait-for-Read Mode Enables wait-for-read mode for result register 0 _B DISABLE overwrite mode 1 _B ENABLE wait-for-read mode enabled
RES	15:12	r	Reserved Always read as 0
OUT_CH7	11:0	r	ADC1 Output result value Channel 7 8 bit conversion: OUT_CH7[11:4] = result[7:0], the four LSB OUT_CH7[3:0] are padded with "0000" 10 bit conversion: OUT_CH7[11:2] = result[9:0], the two LSB OUT_CH7[1:0] are padded with "00"

10-Bit Analog Digital Converter (ADC1)

ADC1 Output EIM Channel

The register is reset by RESET_TYPE_3.

RES_OUT_EIM	Offset	Reset Value
ADC1 Output Channel EIM	40_H	0000 0XXX_H



Field	Bits	Type	Description
RES	31:19	r	Reserved Always read as 0
OF8	18	r	Overrun Flag Indicates if the result register is overwritten with new content (bit is set if VFX = 1 and new result is updated by hardware). <i>Note: Only set in WFRx = DISABLE and no software mode, clear on read of result register</i> 0 _B NO OVERRUN Result register not overwritten 1 _B OVERRUN Result register overwritten
VF8	17	rh	Valid Flag Indicates valid contents in result register bit field OUT_CH_EIM <i>Note: Bit is set by hardware on update of result register and if all repeat counts have been processed. It is cleared by software once the result register is read</i> 0 _B NOT VALID No new valid data available 1 _B VALID Result register contains valid data and has not yet been read
WFR8	16	rw	Wait-for-Read Mode Enables wait-for-read mode for result register 0 _B DISABLE overwrite mode 1 _B ENABLE wait-for-read mode enabled
RES	15:12	r	Reserved Always read as 0
OUT_CH_EIM	11:0	r	ADC1 output result value EIM 8 bit conversion: OUT_CH_EIM[11:4] = result[7:0], the four LSB OUT_CH_EIM[3:0] are padded with "0000" 10 bit conversion: OUT_CH_EIM[11:2] = result[9:0], the two LSB OUT_CH_EIM[1:0] are padded with "00"

24.6 Interrupts

The ADC1 generates the following interrupts:

ADC1 Exceptional Sequence Measurement finished, status bit **IS.ESM_STS**

ADC1 Exceptional Interrupt Measurement finished, status bit **IS.EIM_STS**

ADC1 channel 0 conversion done interrupt, **IS.CH0**

ADC1 channel 1 conversion done interrupt, **IS.CH1**

ADC1 channel 2 conversion done interrupt, **IS.CH2**

ADC1 channel 3 conversion done interrupt, **IS.CH3**

ADC1 channel 4 conversion done interrupt, **IS.CH4**

ADC1 channel 5 conversion done interrupt, **IS.CH5**

ADC1 channel 6 conversion done interrupt, **IS.CH6**

ADC1 channel 7 conversion done interrupt, **IS.CH7**

Interrupts are generated if the VFx flag of the respective result register is set to '1' (in all sequencer modes except software mode).

Figure 182 shows the interrupt generation of ADC1.

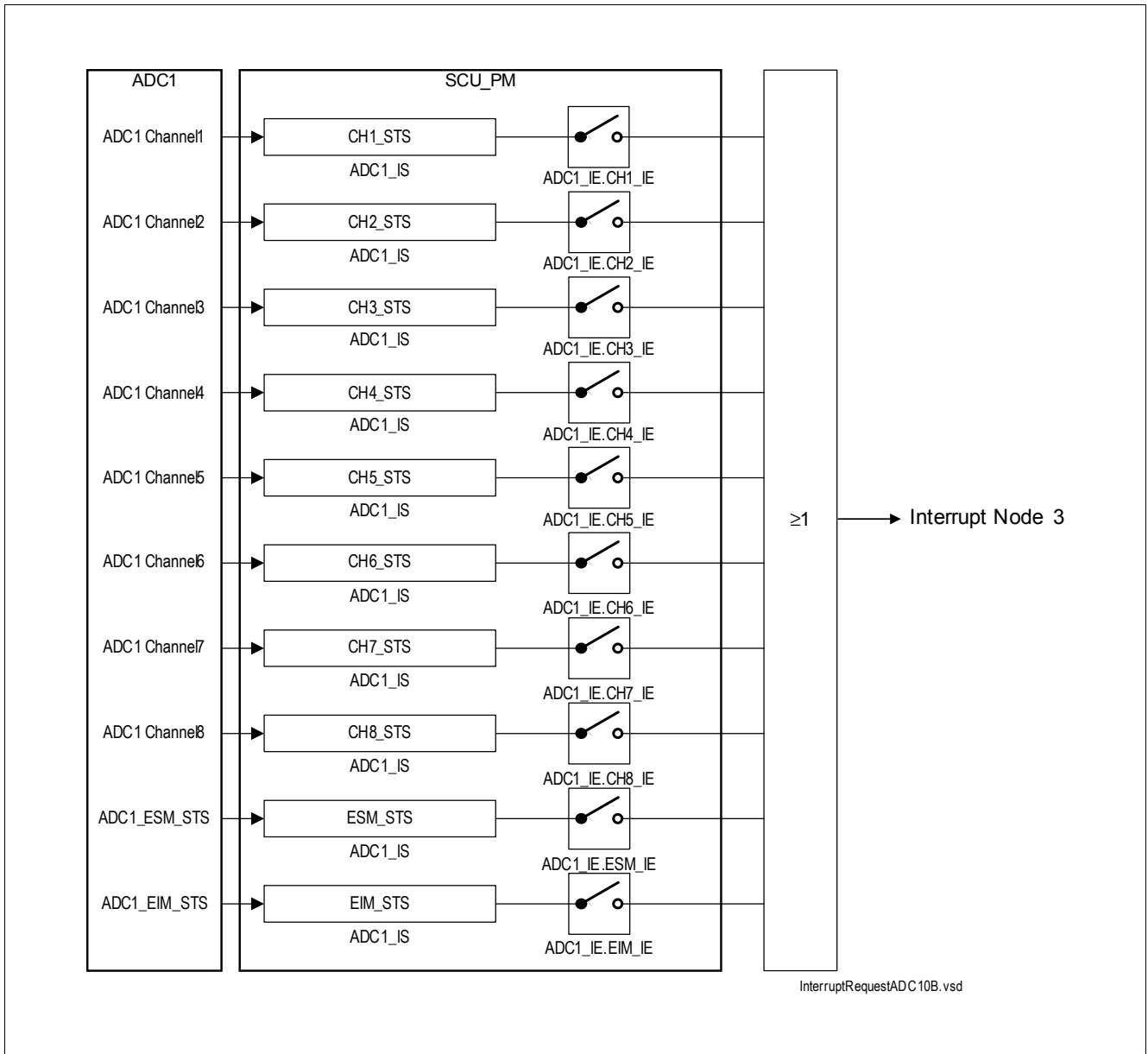


Figure 182 ADC1 Interrupt Generation

24.6.1 Interrupt Registers

Table 158 Register Overview

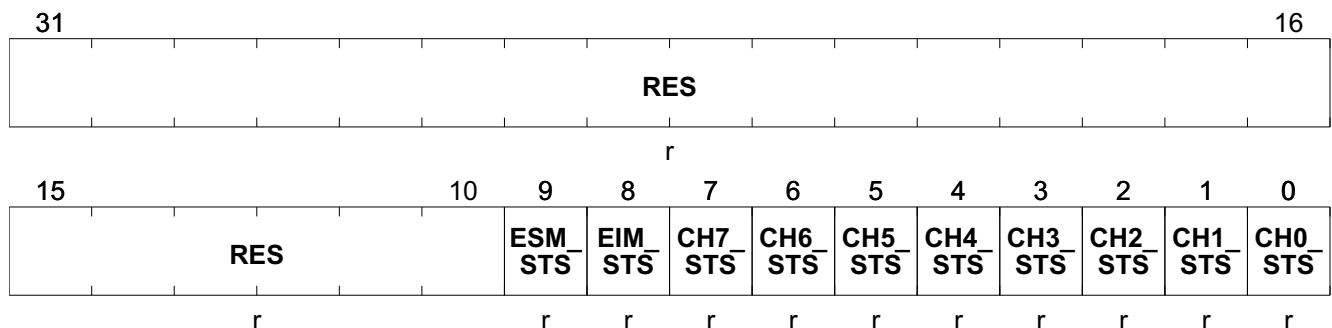
Register Short Name	Register Long Name	Offset Address	Reset Value
Interrupt Registers			
IS	ADC1 Interrupt Status Register	78 _H	0000 0000 _H
IE	ADC1 Interrupt Enable Register	7C _H	0000 0000 _H
ICLR	ADC1 Interrupt Status Clear Register	80 _H	0000 0000 _H

The registers are addressed wordwise.

ADC1 Interrupt Status Register

The register is reset by RESET_TYPE_3.

IS	Offset	Reset Value
ADC1 Interrupt Status Register	78_H	0000 0000_H



Field	Bits	Type	Description
RES	31:10	r	Reserved Always read as 0
ESM_STS	9	r	Exceptional Sequence Measurement (ESM) Status 0 _B INACTIVE No ESM has occurred 1 _B ACTIVE ESM occurred
EIM_STS	8	r	Exceptional Interrupt Measurement (EIM) Status 0 _B INACTIVE No EIM occurred 1 _B ACTIVE EIM occurred
CH7_STS	7	r	ADC1 Channel 7 Interrupt Status Conversion of Channel has finished 0 _B INACTIVE No Channel 7 Interrupt has occurred 1 _B ACTIVE Channel 7 Interrupt has occurred

10-Bit Analog Digital Converter (ADC1)

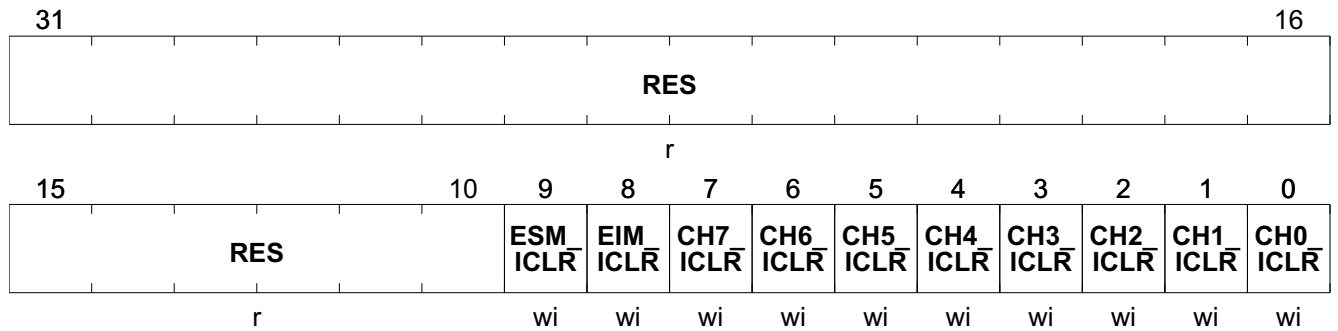
Field	Bits	Type	Description
CH6_STS	6	r	ADC1 Channel 6 Interrupt Status Conversion of Channel has finished 0 _B INACTIVE No Channel 6 Interrupt has occurred 1 _B ACTIVE Channel 6 Interrupt has occurred
CH5_STS	5	r	ADC1 Channel 5 Interrupt Status Conversion of Channel has finished 0 _B INACTIVE No Channel 5 Interrupt has occurred 1 _B ACTIVE Channel 5 Interrupt has occurred
CH4_STS	4	r	ADC1 Channel 4 Interrupt Status Conversion of Channel has finished 0 _B INACTIVE No Channel 4 Interrupt has occurred 1 _B ACTIVE Channel 4 Interrupt has occurred
CH3_STS	3	r	ADC1 Channel 3 Interrupt Status Conversion of Channel has finished 0 _B INACTIVE No Channel 3 Interrupt has occurred 1 _B ACTIVE Channel 3 Interrupt has occurred
CH2_STS	2	r	ADC1 Channel 2 Interrupt Status Conversion of Channel has finished 0 _B INACTIVE No Channel 2 Interrupt has occurred 1 _B ACTIVE Channel 2 Interrupt has occurred
CH1_STS	1	r	ADC1 Channel 1 Interrupt Status Conversion of Channel has finished 0 _B INACTIVE No Channel 1 Interrupt has occurred 1 _B ACTIVE Channel 1 Interrupt has occurred
CH0_STS	0	r	ADC1 Channel 0 Interrupt Status Conversion of Channel has finished 0 _B INACTIVE No Channel 0 Interrupt has occurred 1 _B ACTIVE Channel 0 Interrupt has occurred

10-Bit Analog Digital Converter (ADC1)

ADC1 Interrupt Status Clear Register

The register is reset by RESET_TYPE_3.

ICLR	Offset	Reset Value
ADC1 Interrupt Status Clear Register	80_H	0000 0000_H



Field	Bits	Type	Description
RES	31:10	r	Reserved Always read as 0
ESM_ICLR	9	wi	Exceptional Sequence Measurement (ESM) Status Clear 0 _B Do not clear ESM is not cleared 1 _B Clear ESM is cleared
EIM_ICLR	8	wi	Exceptional Interrupt Measurement (EIM) Status Clear 0 _B Do not clear EIM is not cleared 1 _B Clear EIM is cleared
CH7_ICLR	7	wi	ADC1 Channel 7 Interrupt Status Clear Interrupt status is cleared 0 _B Do not clear interrupt status is not cleared 1 _B Clear interrupt status is cleared
CH6_ICLR	6	wi	ADC1 Channel 6 Interrupt Status Clear Interrupt status is cleared 0 _B Do not clear interrupt status is not cleared 1 _B Clear interrupt status is cleared
CH5_ICLR	5	wi	ADC1 Channel 5 Interrupt Status Clear Interrupt status is cleared 0 _B Do not clear interrupt status is not cleared 1 _B Clear interrupt status is cleared
CH4_ICLR	4	wi	ADC1 Channel 4 Interrupt Status Clear Interrupt status is cleared 0 _B Do not clear interrupt status is not cleared 1 _B Clear interrupt status is cleared
CH3_ICLR	3	wi	ADC1 Channel 3 Interrupt Status Clear Interrupt status is cleared 0 _B Do not clear interrupt status is not cleared 1 _B Clear interrupt status is cleared

10-Bit Analog Digital Converter (ADC1)

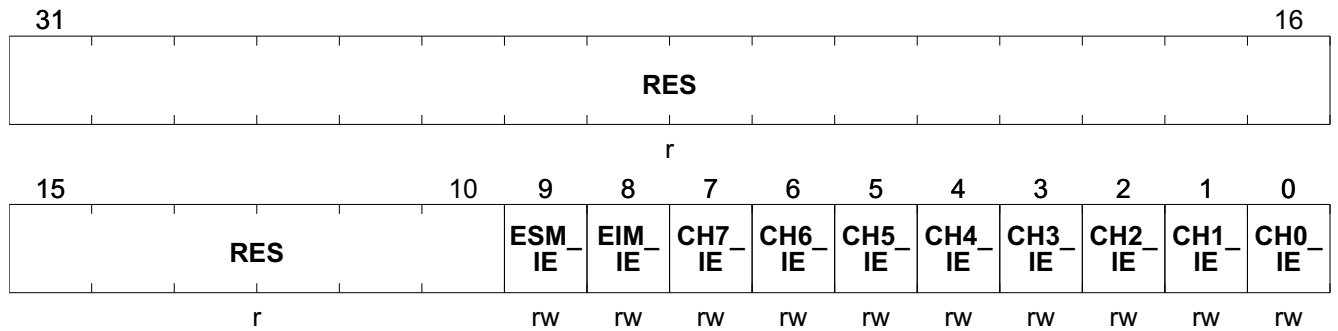
Field	Bits	Type	Description
CH2_ICLR	2	wi	ADC1 Channel 2 Interrupt Status Clear Interrupt status is cleared 0 _B Do not clear interrupt status is not cleared 1 _B Clear interrupt status is cleared
CH1_ICLR	1	wi	ADC1 Channel 1 Interrupt Status Clear Interrupt status is cleared 0 _B Do not clear interrupt status is not cleared 1 _B Clear interrupt status is cleared
CH0_ICLR	0	wi	ADC1 Channel 0 Interrupt Status Clear Interrupt status is cleared 0 _B Do not clear interrupt status is not cleared 1 _B Clear interrupt status is cleared

10-Bit Analog Digital Converter (ADC1)

ADC1 Interrupt Enable Register

The register is reset by RESET_TYPE_3.

IE	Offset	Reset Value
ADC1 Interrupt Enable Register	7C_H	0000 0000_H



Field	Bits	Type	Description
RES	31:10	r	Reserved Always read as 0
ESM_IE	9	rw	Exceptional Sequence Measurement (ESM) Interrupt Enable 0 _B DISABLED Interrupt disabled 1 _B ENABLED Interrupt enabled
EIM_IE	8	rw	Exceptional Interrupt Measurement (EIM) Interrupt Enable 0 _B DISABLED Interrupt disabled 1 _B ENABLED Interrupt enabled
CH7_IE	7	rw	ADC1 Channel 7 Interrupt Enable 0 _B DISABLED Interrupt disabled 1 _B ENABLED Interrupt enabled
CH6_IE	6	rw	ADC1 Channel 6 Interrupt Enable 0 _B DISABLED Interrupt disabled 1 _B ENABLED Interrupt enabled
CH5_IE	5	rw	ADC1 Channel 5 Interrupt Enable 0 _B DISABLED Interrupt disabled 1 _B ENABLED Interrupt enabled
CH4_IE	4	rw	ADC1 Channel 4 Interrupt Enable 0 _B DISABLED Interrupt disabled 1 _B ENABLED Interrupt enabled
CH3_IE	3	rw	ADC1 Channel 3 Interrupt Enable 0 _B DISABLED Interrupt disabled 1 _B ENABLED Interrupt enabled
CH2_IE	2	rw	ADC1 Channel 2 Interrupt Enable 0 _B DISABLED Interrupt disabled 1 _B ENABLED Interrupt enabled
CH1_IE	1	rw	ADC1 Channel 1 Interrupt Enable 0 _B DISABLED Interrupt disabled 1 _B ENABLED Interrupt enabled

10-Bit Analog Digital Converter (ADC1)

Field	Bits	Type	Description
CH0_IE	0	rw	ADC1 Channel 0 Interrupt Enable 0 _B DISABLED Interrupt disabled 1 _B ENABLED Interrupt enabled

24.7 Module Interfaces

24.7.1 ADC1 Hardware Trigger Selection

Hardware Trigger Inputs

Figure 183 shows the ADC1 trigger selection.

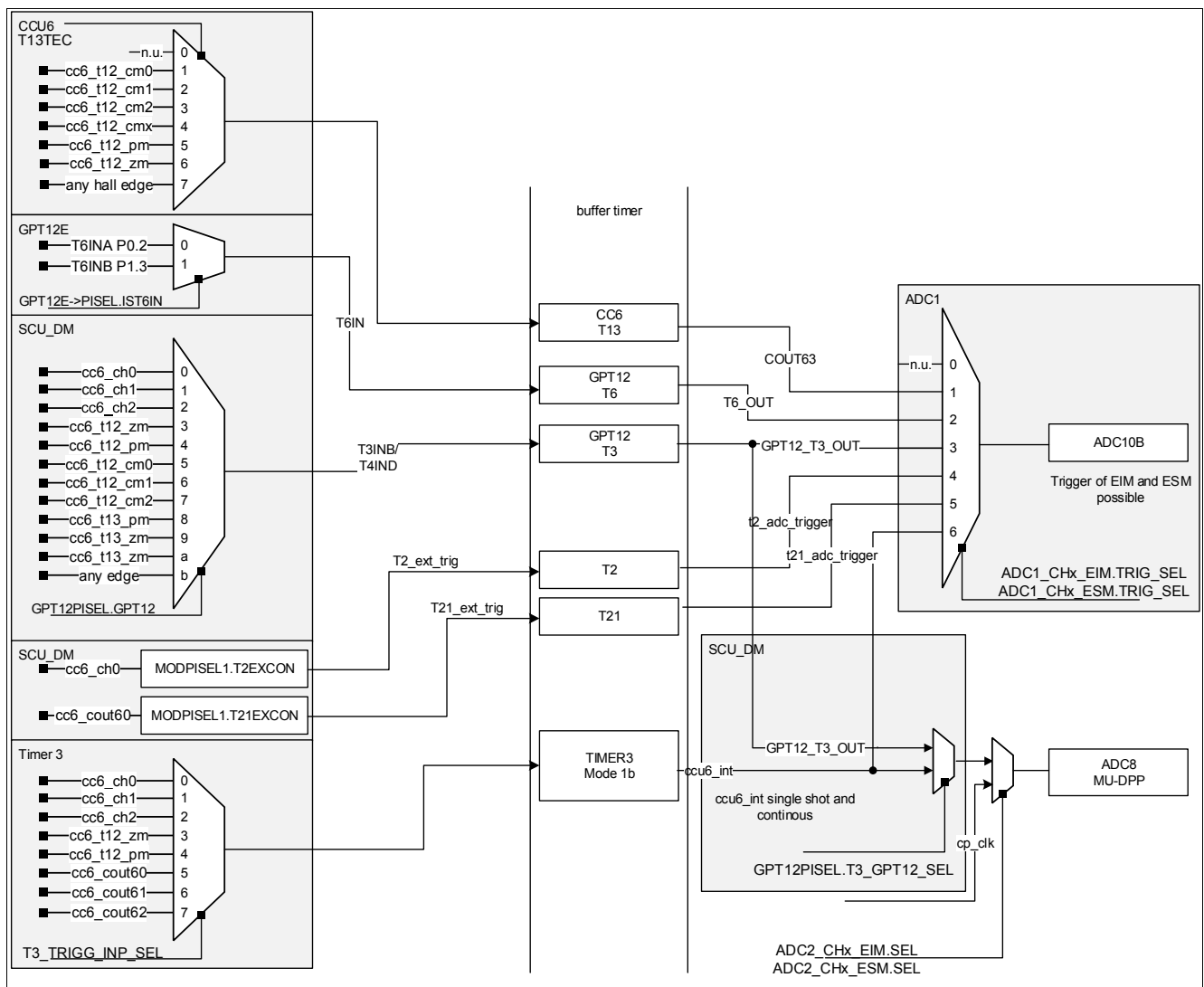


Figure 183 ADC1 Trigger Selection

25 14-Bit Sigma Delta ADC (ADC3 / ADC4)

25.1 Features

Module Features:

- full differential capacitive input.
- 14 Bit resolution.
- full differential scale (14 Bit): $3.7V_{pp}$
- extended differential input range with reduced accuracy: $4.0V_{pp}$
- sampling frequency: 20 Mhz
- programmable oversampling ratio
- high supply rejection ratio
- internal clock jittering

25.2 Functional Description

The 2 integrated 14 Bit Sigma Delta ADCs are building a Sensor Interface for an external AMR / GMR Sensor. The application configuration is shown below.

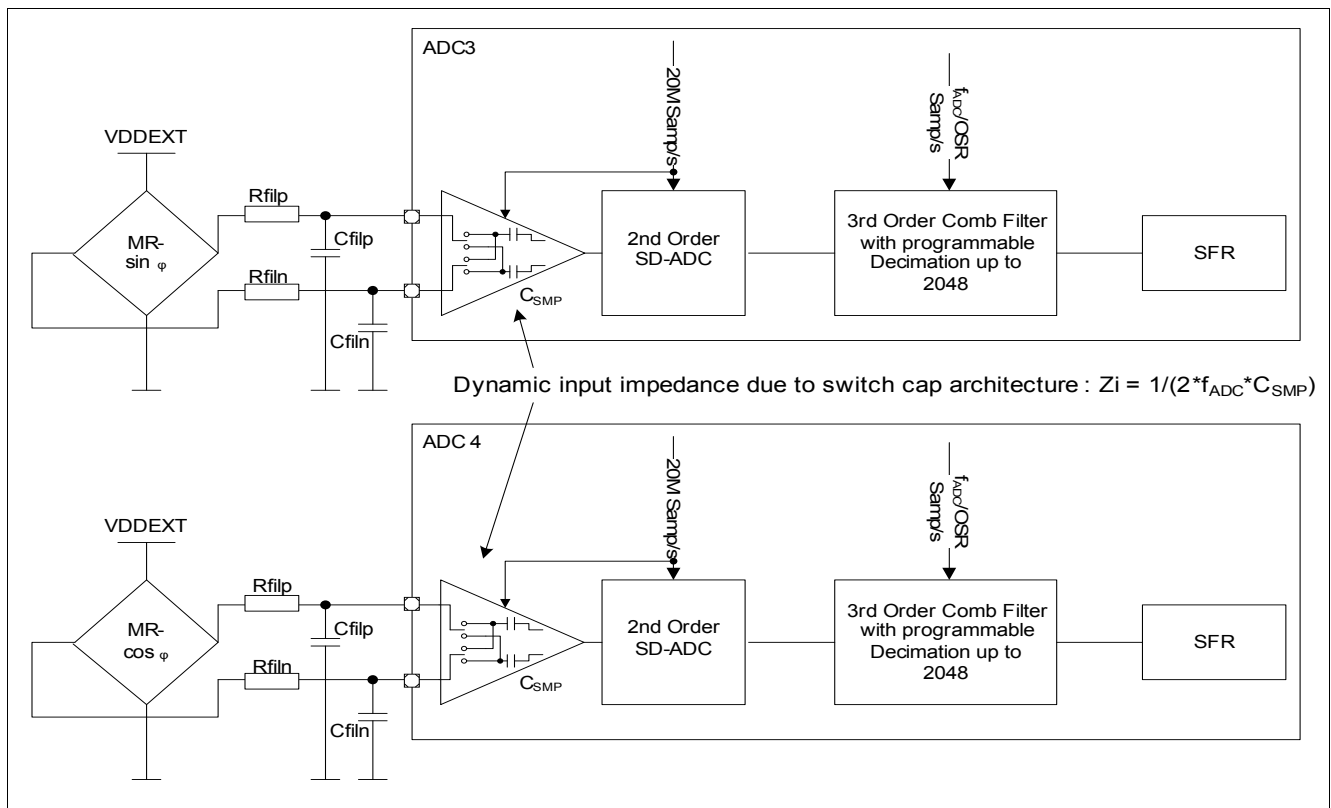


Figure 184 Application of Integrated Sigma Delta ADCs

The AMR / GMR Sensor provides two output signals, which are $V_x = A_x \cos \phi_x + B_x$ and $V_y = A_y \cos \phi_y + B_y$. The sine and cosine are a result of the sensed motor rotation. The figure below shows the described output signal.

Both signals $V_x = A_x \cos \phi_x + B_x$ and $V_y = A_y \cos \phi_y + B_y$ have an amplitude A and an Offset B (here called V_{CMX} and V_{CMY}). The min/max-values of A and B are listed in the electrical characteristics of the product.

To determine the angle of this motor rotation two Sigma Delta ADC modules are required. The following well known equation gives the required angle:

(32)

$$\varphi = \arctan\left(\frac{V_x}{V_y}\right)$$

With the knowledge of the angle φ the motor motion can be controlled. The Sensor is supplied with the VDDEXT supply. As its output signal is ratiometric to its supply voltage, the ADC has also to take the supply voltage as reference.

The ADCs used for this application contain second order Sigma Delta ADCs, with programmable oversampling ratios of up to 2048. Its inputs are connected to Port 2.w, Port 2.x, Port 2.y and Port 2.z. The required input configuration registers are placed in the 10 Bit SAR ADC module.

Attention: to ensure a proper functionality of the ADC Module, it is required that already at power-up a proper configuration of the ADC inputs is done, otherwise ADC can become instable. In addition it is recommended to activate the analog ADC 30 fADC clock cycles prior to enabling the digital filter section. This is accomplished by setting the corresponding control register bits in subsequent SFR write operations. First valid results are available after $3 \cdot \text{OSR} / \text{fADC}$

The bandwidth of the sensor shown as an example is 30 kHz. Nevertheless there are applications with higher motor operating frequency and thus higher sensor bandwidth. The maximum input bandwidth is limited by the Nyquist criteria with the overall sampling rate defined using the following formula:

$$f_{\text{SAMP}} = \text{fADC} / \text{OSR}.$$

Thus at high OSR rates an additional external low pass filter is required to limit the input signal bandwidth.

Note: due to the switched capacitor nature of each ADC's input stage an fADC dependent input impedance has to be considered: the input signal will be attenuated depending on the external series resistances at each ADC input.

A rough estimation of the ADC's input impedance is given below:

$$z_l(\text{ADC}) = 1 / (2 \cdot \text{fADC} \cdot 100\text{fF});$$

$$\text{i.e.: fADC} = 20\text{MHz: } z_l = 250\text{KOhm}$$

The required angle resolution is $< 0,1^\circ$ (TUE), which is < 13 Bit.

The detailed structure of the used SD-ADC is shown below. It has the following components:

- differential capacitive input with a fixed gain stage
- 2 SC-Integrators running at $f_s = 20$ MHz
- Quantizer
- two feedback DACs
- 3rd order comb filter

25.2.1 Input Voltage Range of SD ADC

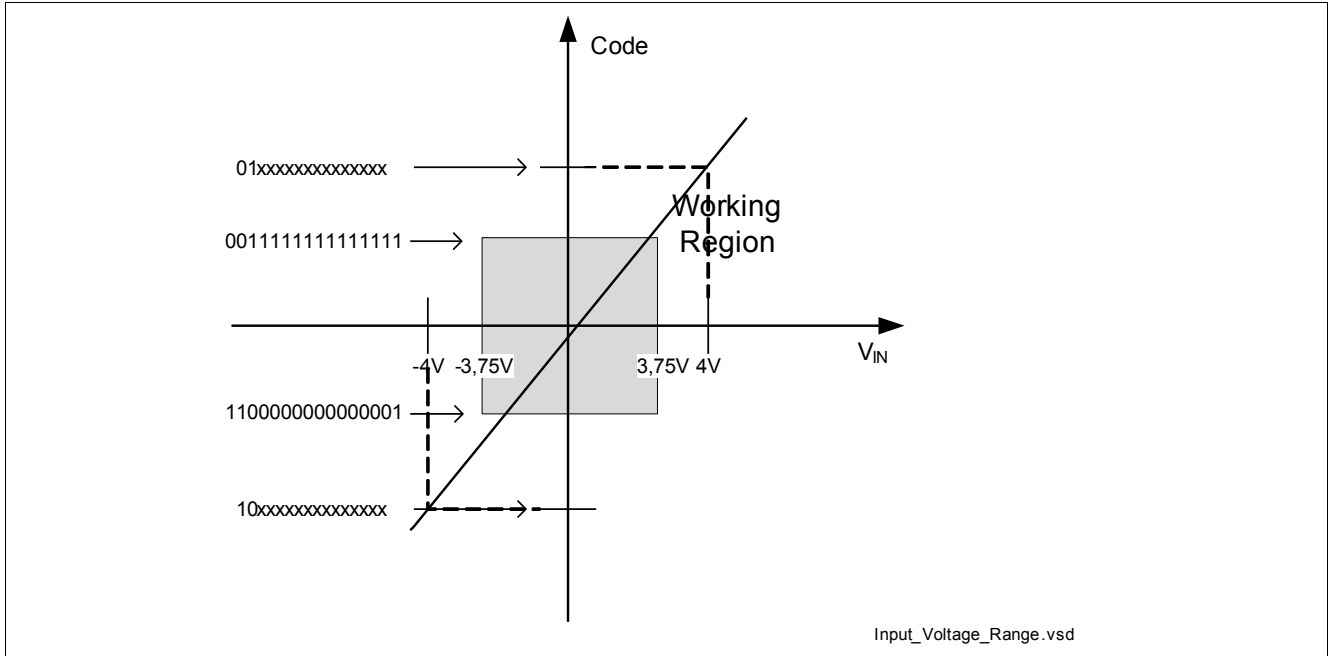


Figure 185 Input Voltage Range

25.2.2 Interpretation of ADC output code

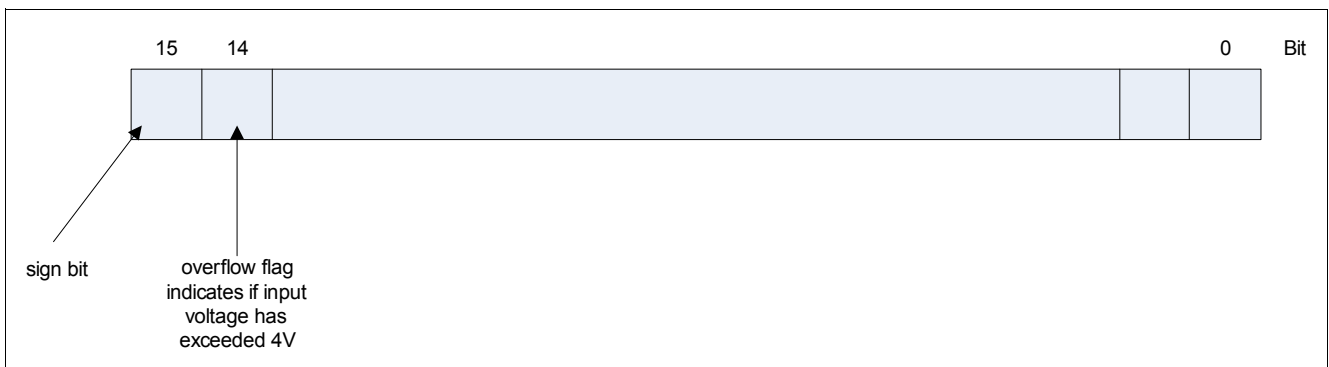


Figure 186 Interpretation of ADC output code

25.2.3 Calculation of ADC output code

The code at the output of the decimation filter is calculated as follows:

$$\text{DEC_Filt_Output} = \left(\frac{V_{in_p} * V_{in_n}}{V_{ref}} \right) * \frac{5}{3.75} * (2^{14} - 1)$$

Figure 187 Calculation of ADC output code

25.2.4 Offset Compensation

The SD-ADC makes it possible to measure the offset of the internal circuit (caused by integrated circuit non-idealities) using an integrated dedicated block to determine the offset value, which then can be compensated by subtracting it from every subsequent measurement.

During the offset measurement phase the inputs of the ADC are disconnected from the module and switched to an internal voltage, so it is not possible to measure the input signal at the same time.

To enable the offset measurement the corresponding enable bit [ADC3_OFS_MEAS_EN](#) for ADC3 or [ADC4_OFS_MEAS_EN](#) for ADC4 has to be set.

The offset result can be read in the [ADC3_ADC4_RESU](#) register.

25.3 SD-ADC Control Register

The next chapter lists the configuration possibilities of the two SD-ADCs ADC3 and ADC4 used as AMR / GMR Sensor interface.

Table 159 Register Address Space

Module	Base Address	End Address	Note
ADC34	40008000 _H	4000BFFF _H	SD-ADC

Table 160 Register Overview

Register Short Name	Register Long Name	Offset Address	Reset Value
SD-ADC Control Register,			
CTRL_STS	ADC3 & ADC4 Control and Status	00 _H	0480 0000 _H
RESU	ADC3_ADC4_RESU	04 _H	0000 0000 _H

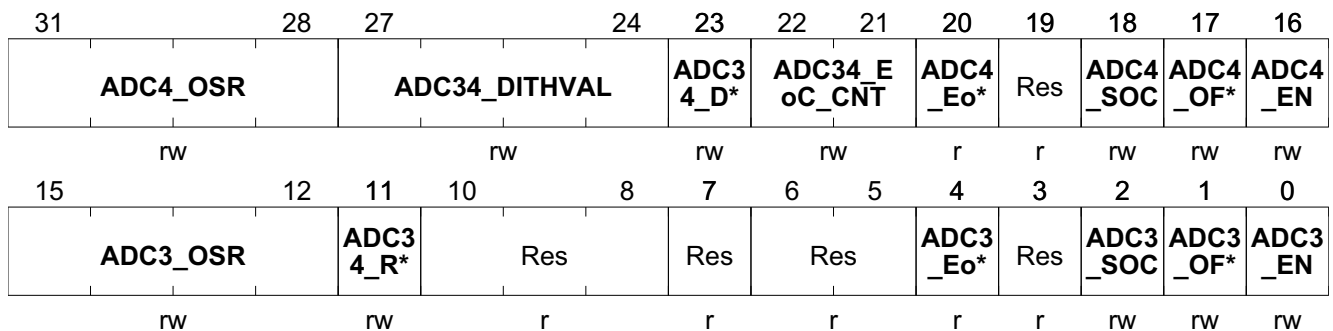
The registers are addressed wordwise.

ADC3 / ADC4 Control and Status

The register is reset by RESET_TYPE_3.

The following register consists of control and status bits. This Register is cleared by every reset.

CTRL_STS	Offset	Reset Value
ADC3 & ADC4 Control and Status	00_H	0480 0000_H



Field	Bits	Type	Description
ADC4_OSR	31:28	rw	ADC4 Oversampling Ratio 0111 _B 128 Factor 128 1000 _B 256 Factor 256 1001 _B 512 Factor 512 1010 _B 1024 Factor 1024 1011 _B 2048 Factor 2048

14-Bit Sigma Delta ADC (ADC3 / ADC4)

Field	Bits	Type	Description
ADC34_DITHVAL	27:24	rw	ADC3/4 Dither Value (Amplitude) = ADC34_DITHVAL * 12,5mV 0000 _B 0 Factor 0 0001 _B 1 Factor 1 0010 _B 2 Factor 2 0011 _B 3 Factor 3 0100 _B 4 Factor 4 0101 _B 5 Factor 5 0110 _B 6 Factor 6 0111 _B 7 Factor 7 1000 _B 8 Factor 8 1001 _B 9 Factor 9 1010 _B 10 Factor 10 1011 _B 11 Factor 11 1011 _B 12 Factor 12 1011 _B 13 Factor 13 1011 _B 14 Factor 14 1011 _B 15 Factor 15
ADC34_DITHEN	23	rw	ADC3/4 Dithering Enable 0 _B Disable ADC34 Dithering 1 _B Enable ADC34 Dithering
ADC34_EoC_CNT	22:21	rw	ADC3/4 EoC counter 00 _B 0 ADC EoC with every real conversion (IRQ with every EoC) 01 _B 8 ADC EoC with every 8th real conversion (IRQ with every EoC) 10 _B 16 ADC EoC with every 16th real conversion (IRQ with every EoC) 11 _B 32 ADC EoC with every 32nd real conversion (IRQ with every EoC)
ADC4_EoC_STS	20	r	ADC4 End of Conversion 0 _B Conversion ongoing ADC4 conversion still in progress 1 _B Conversion finished ADC4 conversion terminated
Res	19	r	Reserved Always read as 0
ADC4_SOC	18	rw	ADC4 conversion enable (set after enabling ADC to allow settling of the analog converter part)¹⁾ 0 _B Disable ADC4 data processing 1 _B Enable ADC4 data processing
ADC4_OFS_MEAS_EN	17	rw	ADC4 Offset Measurement Enable 0 _B DISABLE Offset Measurement 1 _B ENABLE Offset Measurement
ADC4_EN	16	rw	ADC4 analog frontend Enable 0 _B DISABLE ADC4 analog frontend switched off 1 _B ENABLE ADC4 analog frontend switched on

14-Bit Sigma Delta ADC (ADC3 / ADC4)

Field	Bits	Type	Description
ADC3_OSR	15:12	rw	ADC3 Oversampling Ratio 0111 _B 128 Factor 128 1000 _B 256 Factor 256 1001 _B 512 Factor 512 1010 _B 1024 Factor 1024 1011 _B 2048 Factor 2048
ADC34_REF_SEL	11	rw	ADC3/4 reference voltage selection 0 _B VAREF use VAREF / VAGND as reference 1 _B VDD_EXT use VDD_EXT / GND as reference
Res	10:8	r	Reserved Always read as 0
Res	7	r	Reserved Always read as 0
Res	6:5	r	Reserved Always read as 0
ADC3_EoC_STS	4	r	ADC3 End of Conversion 0 _B Conversion ongoing ADC3 conversion still in progress 1 _B Conversion finished ADC3 conversion terminated
Res	3	r	Reserved Always read as 0
ADC3_SOC	2	rw	ADC3 conversion enable (set after enabling ADC to allow settling of the analog converter part)²⁾ 0 _B Disable ADC3 data processing 1 _B Enable ADC3 data processing
ADC3_OFS_MEAS_EN	1	rw	ADC3 Offset Measurement Enable 0 _B DISABLE Offset Measurement 1 _B ENABLE Offset Measurement
ADC3_EN	0	rw	ADC3 analog frontend Enable 0 _B DISABLE ADC3 analog frontend switched off 1 _B ENABLE ADC3 analog frontend switched on

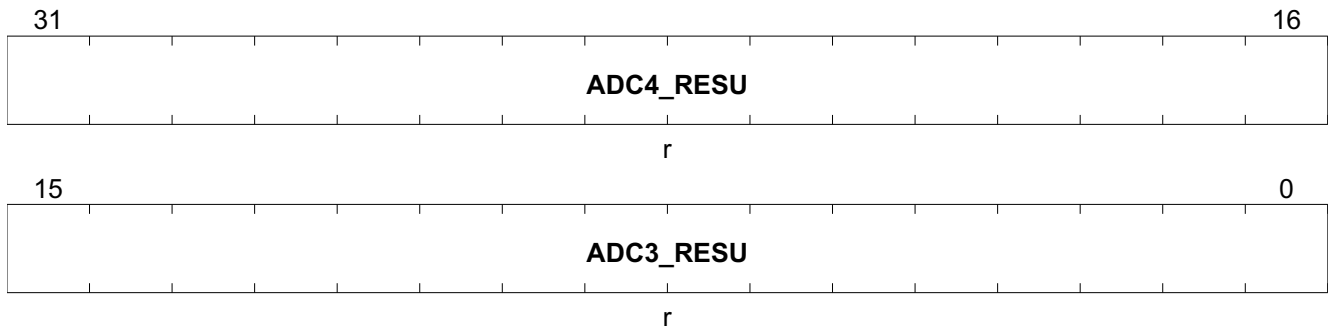
- 1) ADC4_SOC,
- 2) ADC3_SOC: Note that while ADCx_SOC is set the digital data processing is active independent of the state of the analog frontend (ADCx_EN). It is therefore recommended to deactivate the SD-ADC by clearing both, ADCx_SOC and ADCx_EN within one register access

ADC3_ADC4_RESU

The register is reset by RESET_TYPE_3.

RESU	Offset	Reset Value
ADC3_ADC4_RESU	04 _H	0000 0000 _H

14-Bit Sigma Delta ADC (ADC3 / ADC4)



Field	Bits	Type	Description
ADC4_RESU	31:16	r	ADC4 Result Register 2th Complement ADC Conversion Result
ADC3_RESU	15:0	r	ADC3 Result Register 2th Complement ADC Conversion Result

26 High-Voltage Monitor Input

26.1 Features

- High-voltage input with $V_{GS}/2$ threshold voltage
- Integrated selectable pull-up and pull-down current sources
- Wake capability for power saving modes
- Level change sensitivity configurable for transitions from low to high, high to low or both directions
- MON inputs can also be evaluated with **ADC2** in active mode (see also Chapter **Analog Digital Converter**).

26.2 Introduction

This module is dedicated to monitor external voltage levels above or below a specified threshold or it can be used to detect a wake-up event at the high-voltage MON pin in low-power mode. The input is sensitive to a input level monitoring, this is available when the module is switched to active mode with the SFR bit EN.

To use the Wake function during low power mode of the IC, the monitoring pin is switched to Sleep Mode via the SFR bit EN.

26.2.1 Block Diagram

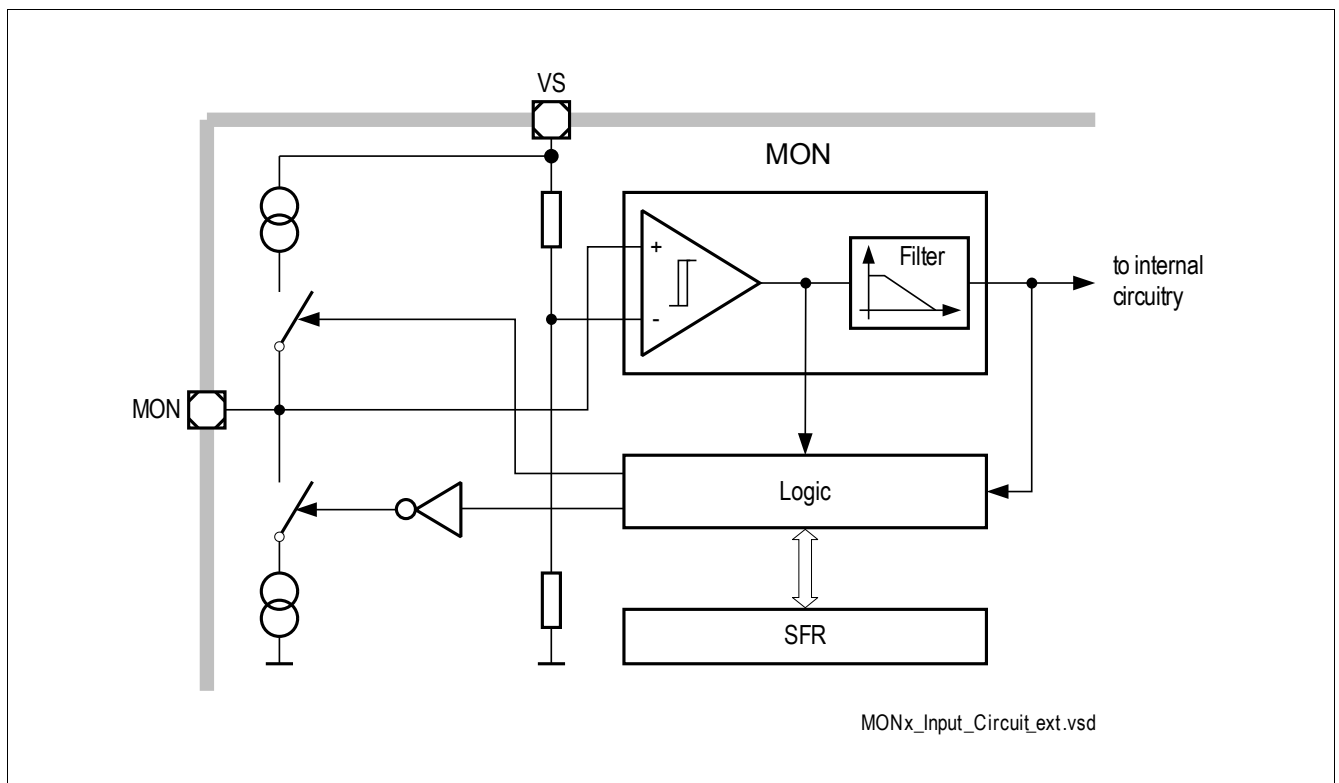


Figure 188 Monitoring Input Block Diagram

26.3 Functional Description

For a wake-up on a positive voltage transition, the **RISE** bit has to be configured. For a wake-up on a negative voltage transition, the corresponding bit **FALL** has to be set. This configuration can also be used for level change detection in active mode.

The IN also includes an input circuit with pull-up (can be activated by **PU** bit) and pull-down (can be activated by **PD** Bit) current sources to define a certain voltage level with open inputs and a filter function to avoid wake-up events caused by unwanted voltage transients at the module input.

When automatic current source selection is enabled, a voltage level at the IN input of $V_{MON_th} < V_{MONx} < V_S - 1V$ activates the pull-up current source. If the IN voltage is between $1V < V_{MONx} < V_{MON_th}$ the pull-down sink is activated, providing stable levels at the monitoring/wake-up inputs. Below and above these voltage ranges the current is minimized to a leakage current. This automatic activation of the current sources, has to be done by setting **PU** and **PD** bit to one at the same time.

Note: In case a Monitoring Input is deactivated by setting bit EN to zero, it can neither be used as a wake-up source nor can it be used to detect logic levels!

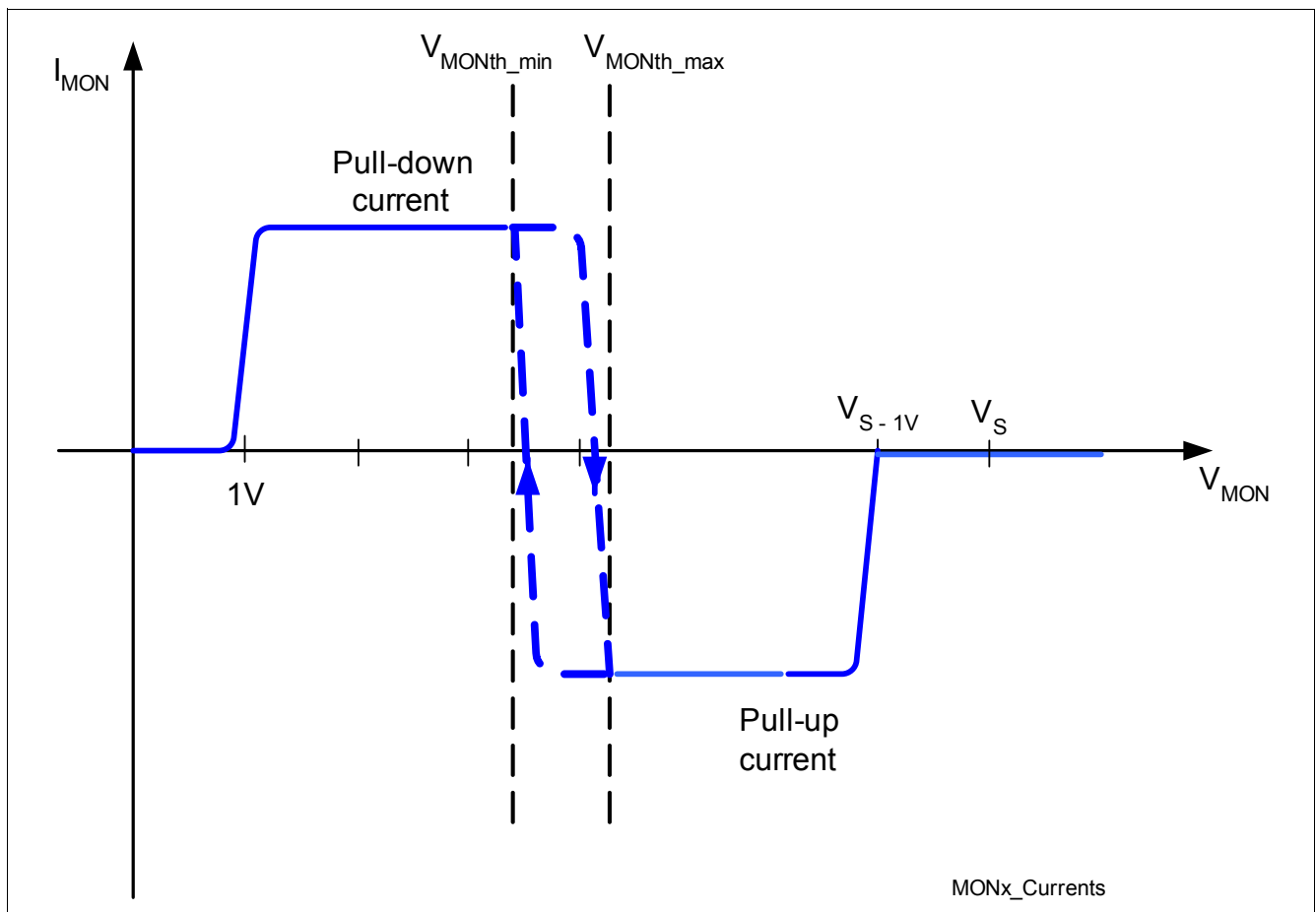


Figure 189 Module - HV_MON Input Characteristics for switchable pull current and static pull-down (on top) or pull-up

The following tables provides an overview of the configuration possibilities on the INs via **SFR**.

Table 161 includes all pull-up and pull-down setup scenarios which can be chosen for one IN. **Table 162** shows an overview of the available states of a IN.

Table 161 Pull-Up / Pull-Down Input Current

PU	PD	Output Current	Description
0	0	leakage current ¹⁾	pull-up/down current source disabled
0	1	pull-down	pull-down current source enabled (for low active switches)
1	0	pull-up	pull-up current source enabled (for high active switches)
1	1	switchable ²⁾	pull-up/down depending on input voltage

1) all current sources switched off.

2) will be automatically switched by the MON_IN circuit depending on level of input signal.

Table 162 EN MON Mode definition

EN	Mode	Description
0	disabled ¹⁾	Monitoring input is disabled (no wake-up possible!)
1	Sleep Mode	Monitoring input is set to low power mode (use for device Low Power Mode)
1	normal mode	Monitoring input is in active mode

1) if a IN is disabled it cannot be used as a wake-up source anymore.

26.4 Register Definition

This chapter describes the configuration register for MON1.

The **Base Address** for this Register is 50004000_H.

The registers listed below are located in the **SFR** address space. To access them, no paging is required.

Table 163 Register Address Space

Module	Base Address	End Address	Note
MON	50004000 _H	50004FFF _H	Monitor Inputs

Table 164 Register Overview

Register Short Name	Register Long Name	Offset Address	Reset Value
Register Definition, Monitor Input Registers			
CNF	Settings Monitor 1	034 _H	0100 0111 _B

The registers are addressed wordwise.

26.4.1 Monitor Input Registers

The monitor input registers are part of the PMU. This is due to the fact that this circuit requires supply and clock, during system wide low power modes.

Settings Monitor 1

The register is reset by RESET_TYPE_2.

CNF	Offset	Reset Value
Settings Monitor 1	034_H	0100 0111_B

7	6	5	4	3	2	1	0
STS	RES	PU	PD	RES	RISE	FALL	EN
r	r	rw	rw	r	rw	rw	rw

Field	Bits	Type	Description
STS	7	r	MON Status Input will only be updated if one of the wake flags CNF.RISE or CNF.FALL are set For direct MON status see MODIEN3.MONSTS 0 _B MON input has low status 1 _B MON input has high status
RES	6	r	Reserved

High-Voltage Monitor Input

Field	Bits	Type	Description
PU	5	rw	Pull-Up Current Source for MON Input Enable <i>Note: Works only if EN is enabled</i> 0 _B Pull-up source disabled 1 _B Pull-up source enabled
PD	4	rw	Pull-Down Current Source for MON Input Enable <i>Note: Works only if EN is enabled</i> 0 _B Pull-down source disabled 1 _B Pull-down source enabled
RES	3	r	Reserved
RISE	2	rw	MON Wake-up on Rising Edge Enable <i>Note: Works only if EN is enabled</i> 0 _B Wake-up disabled 1 _B Wake-up enabled
FALL	1	rw	MON Wake-up on Falling Edge Enable <i>Note: Works only if EN is enabled</i> 0 _B Wake-up disabled 1 _B Wake-up enabled
EN	0	rw	MON Enable 0 _B MON disabled 1 _B MON enabled

27 Bridge Driver (incl. Charge Pump)

27.1 Features

The MOSFET Driver is intended to drive external normal level NFET transistors in bridge configuration. The driver provides many diagnostic possibilities to detect faults.

Functional Features

- External Power NFET Transistor Driver Stage with driver capability for max. 100 nC gate charge @ 25 kHz switching frequency.
- Implemented adjustable cross conduction protection.
- Supply voltage (VSD) monitoring incl. adjustable over- and undervoltage shutdown with configurable interrupt signalling.
- VSD operating range down to 5.4 V
- VDS comparators for short circuit detection in on- and off-state
- Open-Load detection in off-state
- The maximum PWM frequency is defined for 25 kHz

27.2 Introduction

The MOSFET Driver Stage can be used for controlling external Power NFET Transistors (normal level). The module output is controlled by SFR or System PWM Machine (CCU6).

27.2.1 Block Diagram

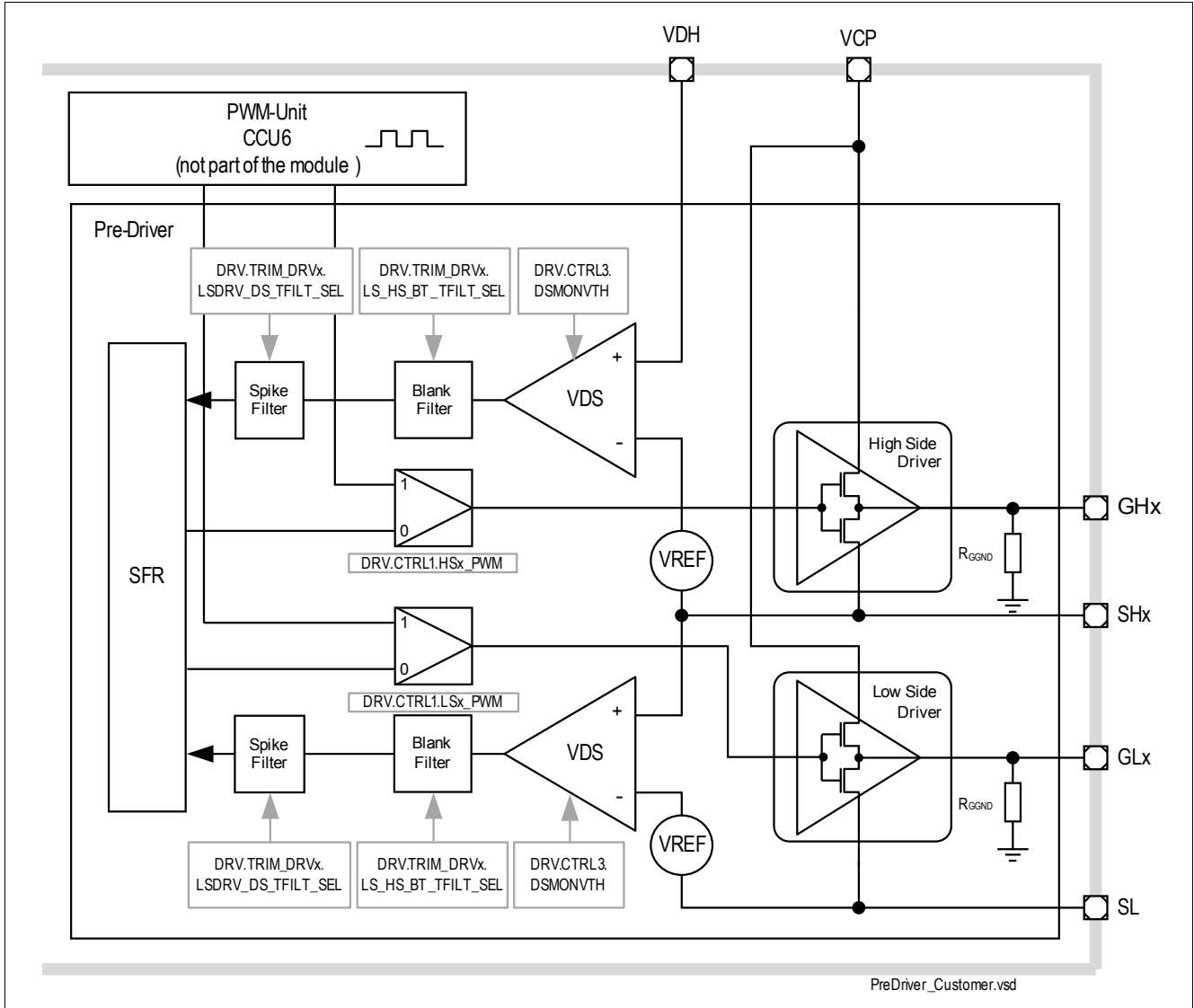


Figure 190 Driver Module Block Diagram (incl. system connections)

27.2.2 General

The Driver can be controlled in two different ways:

- In Normal Mode the output stage is fully controllable through the SFR registers CTRLx (x = 1,2,3). Protection functions such as overcurrent and open-load detection are available.
- The PWM Mode can also be enabled by the corresponding bit in CTRL1 and CTRL2. The PWM must be configured in the System PWM Module (CCU6). All protection functions are available in PWM mode as well.

Protection Functions

- Overcurrent detection and shutdown feature for external MOSFET by Drain Source measurement
- Programmable minimum cross current protection time
- Open-load detection feature in Off-state for external MOSFET.

27.3 Functional Description

27.3.1 Normal Operation

For Normal Operation the output stages are controlled by software, using SFR registers. The driver is designed to drive mainly capacitive loads with a small resistance. The maximum load dc current is 10 mA. The main features provided by the Driver module are the following:

- **Adjustable Slew Rate** for improved EMI behavior. The slew rate can be adapted by the corresponding bits in the **CTRL3** register.
- **Off-State Open-Load Detection** with two different thresholds and currents. The detailed principle of the Off-State Open-Load detection is shown in the chapter **OFF-State Short Circuit Detection**.

27.3.2 PWM Operation

In PWM Mode the Driver Stages are controlled by the on-chip PWM Generator (CCU6). The PWM Mode of the Driver Stages has to be enabled by the corresponding bit in **CTRL1.LSx/HSx_PWM** and **CTRL2.LSx/HSx_PWM**. The control of the Driver Stages by the PWM Generator gets only active when all **LSx/HSx_PWM** bits are set to one. The proper PWM Generator configuration must be done in the SFRs of the PWM Module (CCU6).

In PWM Mode the Driver should be enabled by the corresponding bits in the **CTRL1/CTRL2** register, first. If this has been done the PWM State Machine can be enabled to deliver the PWM Signal. This procedure is recommended to avoid any unwanted glitches at the driver output.

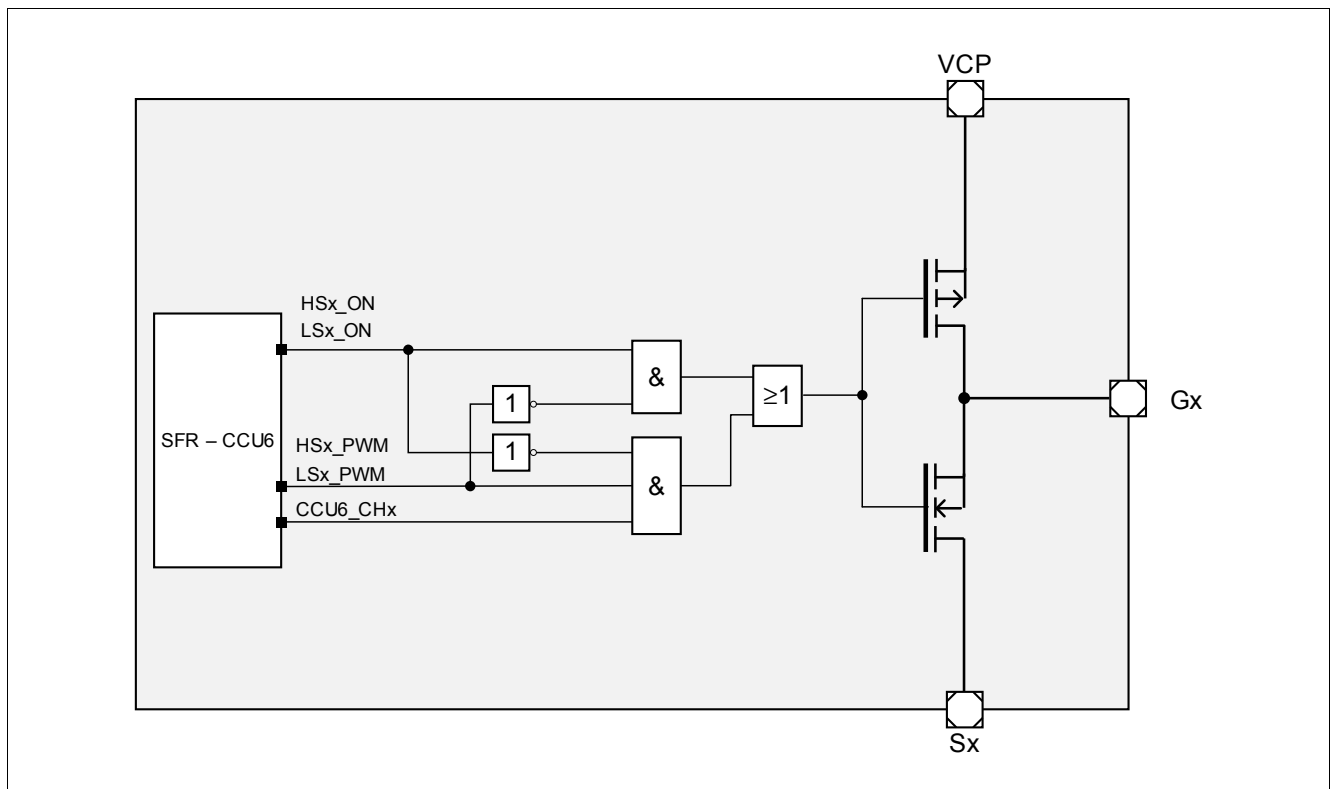


Figure 191 Control Logic of Driver in PWM Mode

The MOSFET Drivers are mapped to following CCU6 channels:

Table 165 Driver Control by CCU6

Driver dedicated to external FET:	Corresponding CCU6 channel (CCU6_Chx)	Comment
LS1	COUT60	
LS2	COUT61	
HS1	CC60	
HS2	CC61	

27.3.3 Supply-Generation of Driver

The driver is supplied by a 2 Stage Charge Pump. The charge pump enables a duty cycle range from 0 - 100%. The regulated output voltage is typically $VSD + 14V$. The charge pump output VCP is monitored via an undervoltage comparator. If undervoltage is detected the drivers will be switched off. The threshold for this undervoltage detection can be adjusted by **VCP_LOWTH2**.

As shown in **Figure 192** the pump requires three external capacitors.

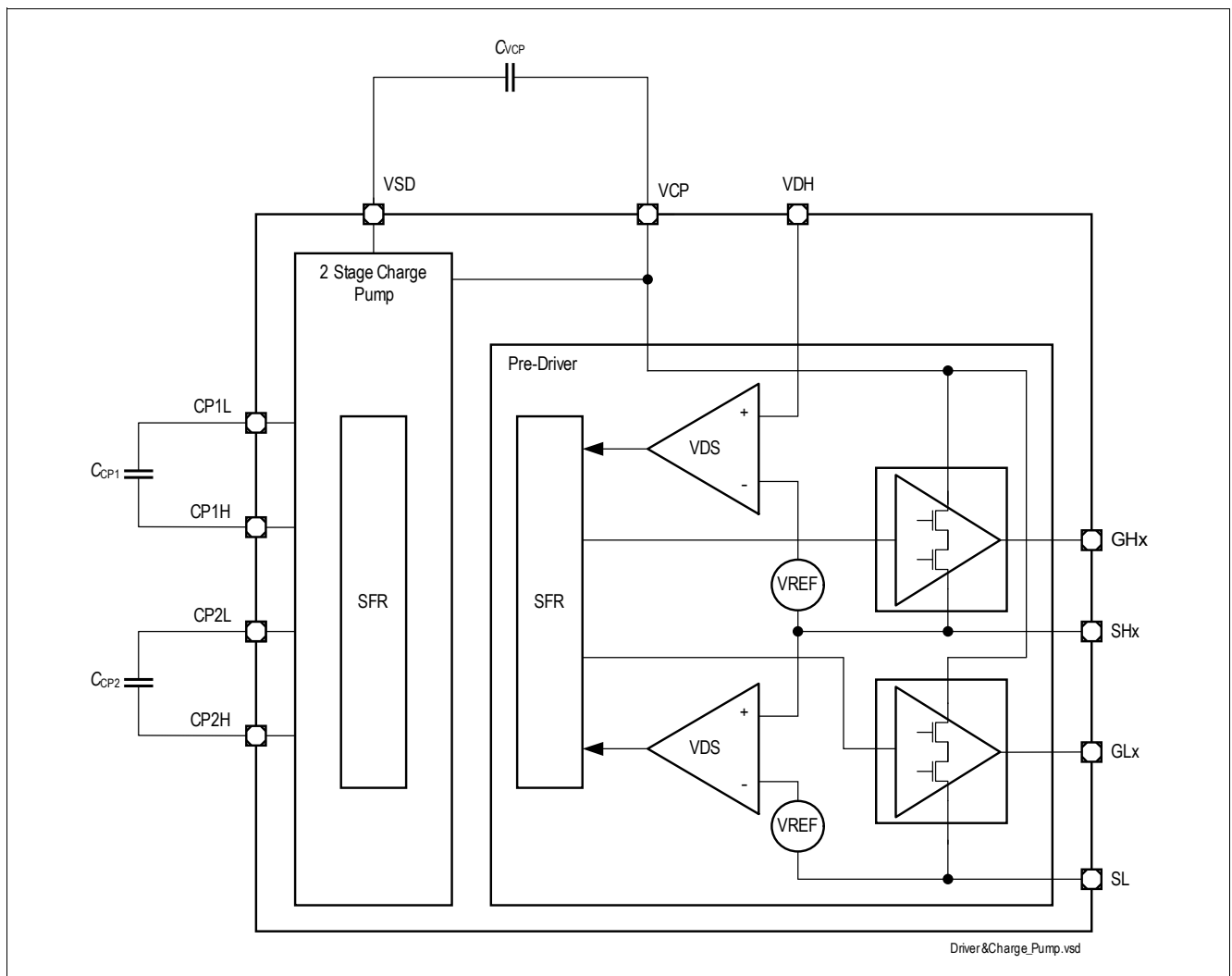


Figure 192 Supply Generation of Driver

27.3.3.1 Clock Generator of Driver Supply

The clock generator of the charge pump uses a spread spectrum technique to minimize emission caused by the charge pump operation on the supply voltage VSD. The structure of the clock generation for the charge pump is shown in the figure below:

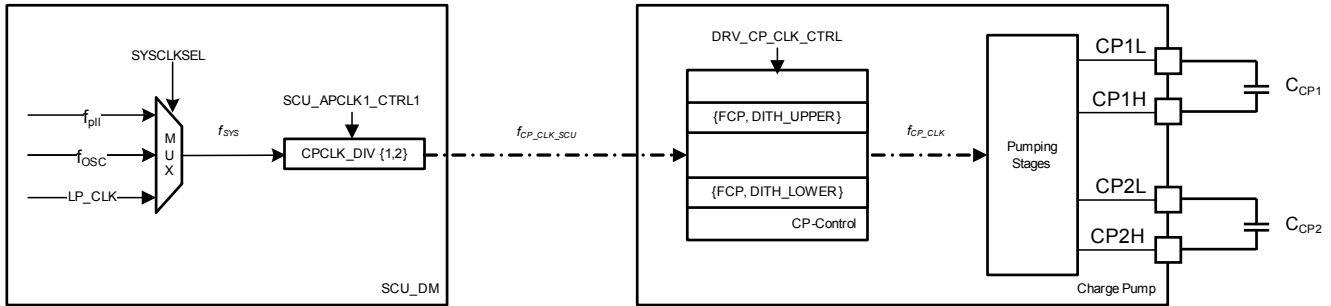


Figure 193 Clock Generation of Charge Pump Block

The charge pump clock f_{CP_CLK} is derived from the system clock f_{sys} . Inside the SCU_DM the system clock is divided by a configurable value and provided as $f_{CP_CLK_SCU}$ to the charge pump control block. During operation the frequency of the charge pump is varied between two frequency boundaries. These boundaries are defined by the concatenation of {FCP, DITH_UPPER} bits for the upper boundary and {FCP, DITH_LOWER} bits for the lower boundary (the concatenated bits represent a frequency divider value for $f_{CP_CLK_SCU}$).

27.3.4 Overcurrent Detection - VDS measurement

The Drain Source Voltage (VDS) of each MOSFET is monitored by a comparator. In case the VDS voltage is higher than the limit set in DSMONVTH during the on phase of the MOSFET all drivers are switched off. The bit HSx_OC_STS or LSx_OC_STS is set.

The feature of switching off all drivers (global shutdown) in case one driver has detected a short condition can be disabled by bit HSx_OC_DIS / LSx_OC_DIS. If the bit is set to one only the driver which detected the short will be turned off (local shutdown).

The filter time for the VDS measurements can be adjusted by the bits HSDRV_DS_TFILT_SEL and LSDRV_DS_TFILT_SEL.

The blank time for the VDS measurement can be adjusted by the bits LS_HS_BT_TFILT_SEL.

27.3.5 OFF-State Short Circuit Detection

The Short circuit detection in OFF State is mainly performed by an internally generated test current and the built-in Drain-Source monitoring.

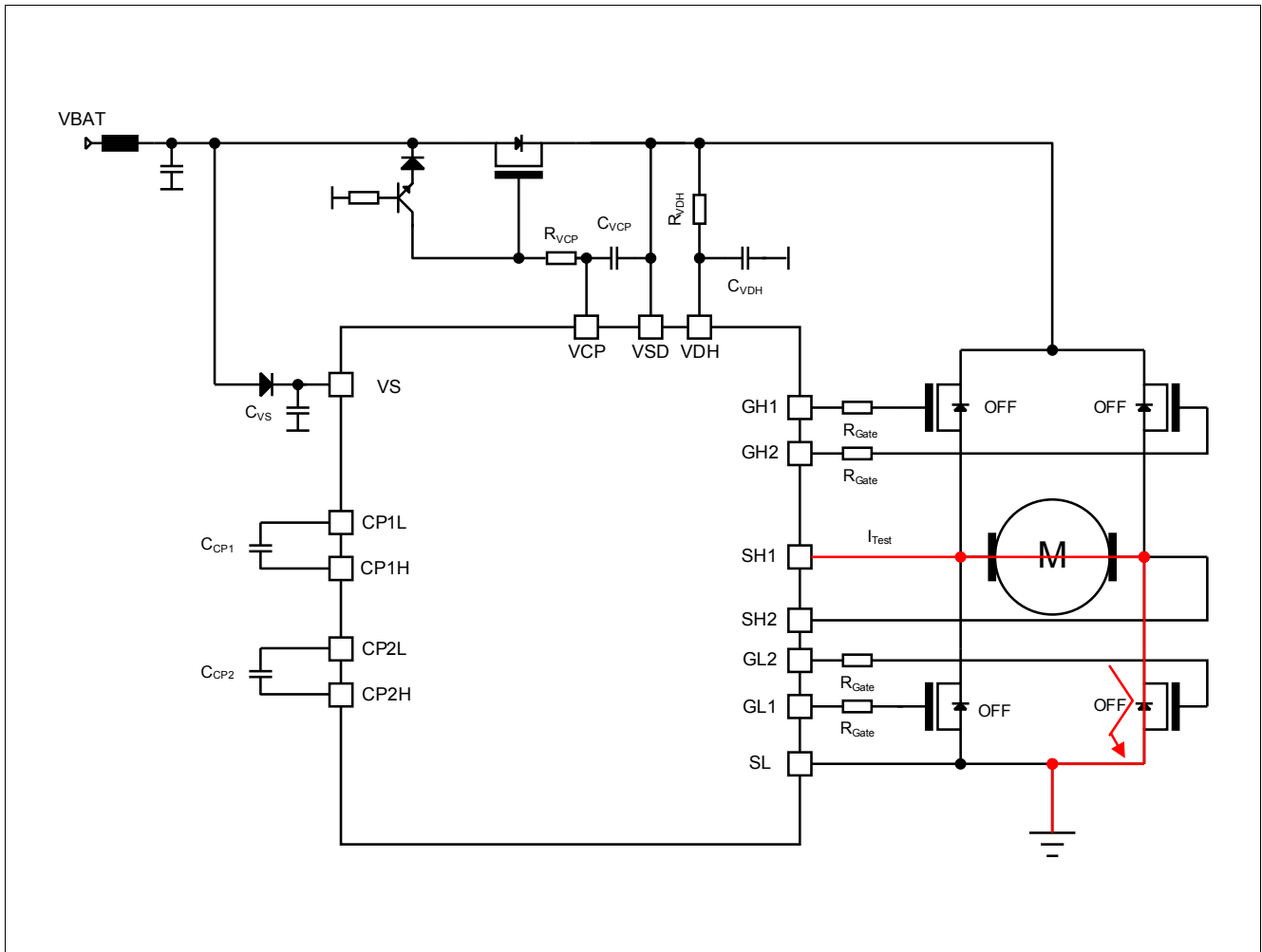


Figure 194 OFF-state Short Circuit Detection Principle

To perform the short circuit detection in off state the following procedure has to be executed:

- The MOSFET Drivers are in off-state
- To detect short circuit on the low side MOSFET, a test current I_{TEST} out of SH1 is activated by a high side current source on pin SH1. This is done by setting the bit HS1_DCS_EN.
- After the test current has settled the VDS Status flag shows the status on the low side MOSFET. If VDS status flag is set the complete voltage drop is across the high side current source, VDS measurement on the LS MOSFET is below the VDS threshold, indicating a short on the low side FET.

27.3.6 Channel turn on/off delay measurement

For functional test and drive scheme timing optimization a dedicated timer is available to measure the delay between intended external MOS activation and actual turn on (VDS supervision). The principle function is shown in the following figure:

27.4 Application Hints

27.4.1 Bridge Driver Diagnosis

27.4.1.1 Off-Diagnosis

Off-Diagnosis describes the capability to recognize a short on a motor contact to either VBAT or GND without the need to set the MOSFETs in "ON"-state. An unwanted cross-current flow through the bridge MOSFETs can be prevented that way.

27.4.1.1.1 Preparation

In order to run the Off-Diagnosis the following settings needs to be applied to the Bridge Driver registers:

A: All phases must be switched in "Enabled"-state (but not "ON"-state)

31	30	29	28	27	26	25	24
HS2_OC_ DIS	HS2_OC_ STS	HS2_SUP ERR_STS	HS2_DS_ STS	HS2_DCS_ _EN	HS2_ON	HS2_PWM	HS2_EN
rw	r	r	r	rw	rwhir	rwhir	rw
23	22	21	20	19	18	17	16
HS1_OC_ DIS	HS1_OC_ STS	HS1_SUP ERR_STS	HS1_DS_ STS	HS1_DCS_ _EN	HS1_ON	HS1_PWM	HS1_EN
rw	r	r	r	rw	rwhir	rwhir	rw
15	14	13	12	11	10	9	8
LS2_OC_ DIS	LS2_OC_ STS	LS2_SUP ERR_STS	LS2_DS_ STS	LS2_DCS_ _EN	LS2_ON	LS2_PWM	LS2_EN
rw	r	r	r	rw	rwhir	rwhir	rw
7	6	5	4	3	2	1	0
LS1_OC_ DIS	LS1_OC_ STS	LS1_SUP ERR_STS	LS1_DS_ STS	LS1_DCS_ _EN	LS1_ON	LS1_PWM	LS1_EN
rw	r	r	r	rw	rwhir	rwhir	rw

BDRV_CTRL1_DS_Enable.vsd

Figure 195 CTRL1

The DS-Status Flags are still set in this state of the Bridge Driver, but since the Drain-Source-Current Sources are not enabled these flags do not have a meaning yet.

B:

For a detection of a short of the motor contacts to GND or VBAT the value of the **CTRL3.DSMONVTH** shall be set to the minimum value. The **CTRL3.IDISCHARGE_TRIM** value, which sets the current driven by the DS-Current sources, shall be set to a very small value. A value of 1 would be sufficient.

Bridge Driver (incl. Charge Pump)

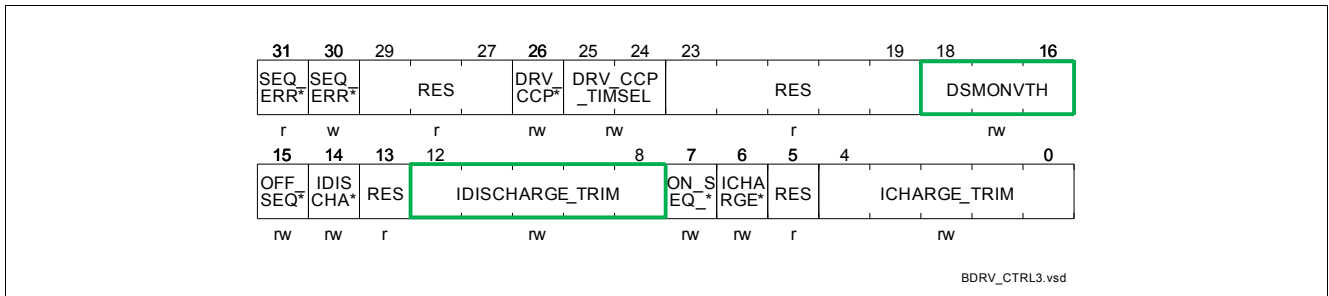


Figure 196 CTRL3

C: Enable Drain-Source Current Sources on the High-Side (HSx) drivers

The DS-Current sources are internally connected to the corresponding SHx pins of the device. The "Enable"-Flags of each phase remains set. It is recommended to even enable the DS-Current source flag for the LSx drivers, just to be able to recognize the validity of the LSx_DS_STS flags inside the BDRV interrupt service routine, but it is not required for the Off-Diagnosis.

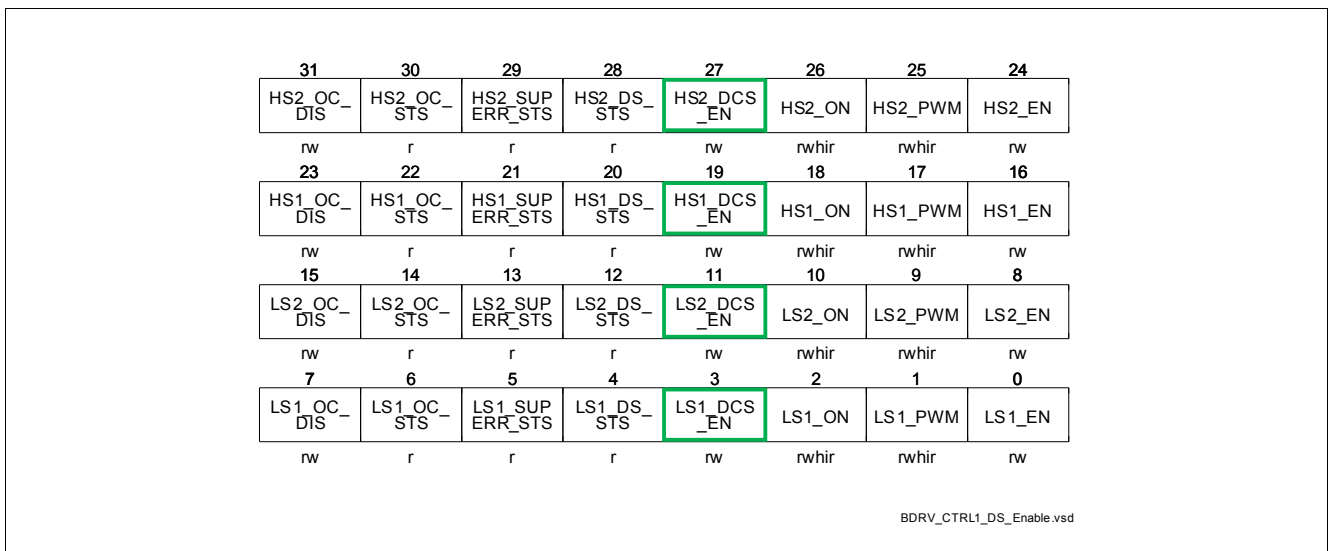


Figure 197 CTRL1

D:

Assuming the motor contacts do not have a short to VBAT or to GND, all the DS-Status flags of each phase can be cleared now, and shall stay cleared.

31	30	29	28	27	26	25	24
HS2_OC_ DIS_	HS2_OC_ STS_	HS2_SUP ERR_STS	HS2_DS_ STS_	HS2_DCS _EN	HS2_ON	HS2_PWM	HS2_EN
rw	r	r	r	rw	rwhir	rwhir	rw
23	22	21	20	19	18	17	16
HS1_OC_ DIS_	HS1_OC_ STS_	HS1_SUP ERR_STS	HS1_DS_ STS_	HS1_DCS _EN	HS1_ON	HS1_PWM	HS1_EN
rw	r	r	r	rw	rwhir	rwhir	rw
15	14	13	12	11	10	9	8
LS2_OC_ DIS_	LS2_OC_ STS_	LS2_SUP ERR_STS	LS2_DS_ STS_	LS2_DCS _EN	LS2_ON	LS2_PWM	LS2_EN
rw	r	r	r	rw	rwhir	rwhir	rw
7	6	5	4	3	2	1	0
LS1_OC_ DIS_	LS1_OC_ STS_	LS1_SUP ERR_STS	LS1_DS_ STS_	LS1_DCS _EN	LS1_ON	LS1_PWM	LS1_EN
rw	r	r	r	rw	rwhir	rwhir	rw

BDRV_CTRL1_DS_Status.vsd

Figure 198 CTRL1

In case one of these flags cannot be cleared then this is already an indication of a short of a motor contact to VBAT or to GND.

27.4.1.1.2 Detection

Evaluate the state of the HSx_DS_STS flags and of the LSx_DS_STS flags in order to check if a short is present. If any HSx_DS_STS flag is set, then it means at least one of the motor contacts has a short to VBAT. If any LSx_DS_STS flag is set, then it means at least one of the motor contacts has a short to GND. Due to the fact that the motor coils do have a very low resistance usually all HSx_DS_STS flags are set together and analogue for the LSx_DS_STS flags as well. In case no motor is connected, then only the flags for the phase which sees the short are set.

To return to normal operation, disable the DS-Current sources for each phase, the value of the DS-STTS flags have to be ignored from now on.

27.4.1.2 On-Diagnosis

The On-Diagnosis supervises the current flowing through the MOSFETs with the internal Drain-Source monitoring. The enabling of the integrated Drain-Source-Current source is not required for the On-Diagnosis.

27.4.1.2.1 Preparation

The bridge driver will be operated in a normal way. All the phases are enabled and those phases which are required to operate the motor in the required way are either statically "ON" or set to "PWM" (connection to CCU6). These settings are defined by the application in order to drive the motor.

The bit field CTRL3.DSMONVTH defines the threshold for the DS-monitoring to recognize an over-current condition in one of the MOSFETs. The DSMONVTH value defines a voltage across the drain-source path of a voltage, the required current flowing through the MOSFET needs to be calculated based on the RDS_ON value of the MOSFET.

Example: 8mOhm MOSFET (RDS_ON=8mOhm), DSMONVTH = 0.5V

$$I = \frac{U}{R} = \frac{0.5V}{8mOhm} = 62.5A$$

(33)

If the current flow through the MOSFET exceeds 62.5A the DS-monitoring will recognize an over-current condition and shut off the phase, or even the entire bridge (see **CTRL1** registerbits).

27.4.1.2.2 Detection

Two ways of evaluating the On-Diagnosis are possible:

1. Polling: the user application shall read the **CTRL1/CTRL2** registers and check the OC_STS flags of each phase to recognize whether an over-current condition has happened.
2. Interrupt based: the user shall enable the BDRV interrupt node **NVIC_ISER0.Int_BDRV** = 1; the user shall enable the HSx_OC_IE flags, along with the LSx_OC_IE flags inside the **BDRV_IRQ_CTRL** register.

31										21					20	19	18	17	16								
Res											VSD UPT*	VSD LOW*	VCP UPT*	VCP LOW*	VCP LOW*												
r											rw	rw	rw	rw	rw												
15		14		13		12		11		10		9		6		5		4		3		2		1		0	
Res		HS2 OC_*		HS1 OC_*		LS2 OC_*		LS1 OC_*		Res		Res		HS2 DS_*		HS1 DS_*		LS2 DS_*		LS1 DS_*							
r		rw		rw		rw		rw		r		r		rw		rw		rw		rw		rw		rw		rw	

Figure 199 BDRV_IRQ_CTRL

Inside the BDRV Interrupt service routine the user shall check the HSx_OC_STS and LSx_OC_STS flags to see which MOSFET has detected the overcurrent condition. These flags need to be cleared before the ISR will be exited.

31					29					28	27	26	25	24	23	21					20	19	18	17	16		
Res						VSD UPT*	VSD LOW*	VCP UPT*	VCP LOW*	VCP LOW*	Res						VSD UPT*	VSD LOW*	VCP UPT*	VCP LOW*	VCP LOW*						
r						w	w	w	w	w	r						w	w	w	w	w						
15		14		13		12		11		10		9		6		5		4		3		2		1		0	
Res		HS2 OC_*		HS1 OC_*		LS2 OC_*		LS1 OC_*		Res		Res		HS2 DS_*		HS1 DS_*		LS2 DS_*		LS1 DS_*							
r		w		w		w		w		r		r		w		w		w		w		w		w		w	

Figure 200 SCUPM->BDRV_ISCLR

27.4.1.3 Open-Load Detection

The Open-Load detection can be used to check whether a motor is connected to the bridge or not.

The Open-Load detection operates similar to the Off-Diagnosis

27.4.1.3.1 Preparation

In order to run the Off-Diagnosis the following settings need to be applied to the bridge driver registers

1. All phases must be switched in "Enabled"-state (but not "ON"-state).
2. For a detection of a motor, **CTRL3**.DSMONVTH shall be set to the maximum value. The **CTRL3**.IDISCHARGE_TRIM value, which sets the current driven by the DS-Current sources, shall be set to a very small value. A value of 1 would be sufficient.
3. Enable Drain-Source Current Sources on the High-Side (HSx) drivers. The DS-Current sources are internally connected to the corresponding SHx pins of the device. The "Enable"-Flags of each phase remains set. The LSx DS-Current Source flag remains disabled. For a 2-phase Motor application only one HS_DS-Current source has to be enabled.
4. For a 3-phase Motor the checking of the Motor connection shall be done in three steps, for each phase separately. The HSx DS-Current Source has to be enabled always for 2 phases together, then the 3rd phase is checked whether a motor-phase is connected. This has to be iterated around until all three phases are checked. Always two phases the HSx_DCS_EN is set, while the remaining phase the HSx_DCS_EN flag is off.
5. Apply some settlement time (few μ s) for the voltage at each MOSFET to stabilize.
6. Assuming the motor contacts are all connected, all the DS-Status flags of each phase can be cleared now, and shall stay cleared. If a flag cannot be cleared of a phase then the DS_STS flags remain set and will signal an unconnected motor contact.

27.5 Register Definition

The Bridge Driver registers are located in the address space below.

Table 166 Register Address Space

Module	Base Address	End Address	Note
BDRV	40034000 _H	40037FFF _H	Bridge Driver

Table 167 Register Overview

Register Short Name	Register Long Name	Offset Address	Reset Value
Register Definition, Driver Register			
CTRL1	Half Bridge Driver Control 1	00 _H	0101 0101 _H
CTRL2	Half Bridge Driver Control 2	04 _H	0000 0000 _H
CTRL3	Half Bridge Driver Control 3	08 _H	0001 1111 _H
Register Definition, Driver Trimming Register			
TRIM_DRVx	Trimming of Driver	18 _H	8000 0000 _H
Register Definition, Charge Pump Control and Status Register			
CP_CTRL_STS	Charge Pump Control and Status Register	20 _H	0000 0004 _H
CP_CLK_CTRL	Charge Pump Clock Control Register	24 _H	0000 CA16 _H

The registers are addressed wordwise.

27.5.1 Driver Register

H-Bridge (Half Bridge) Driver Control Register 1

The register is reset by RESET_TYPE_3.

Attention: The Bridge Driver module can only be enabled when all FET drivers are enabled in the register below.

CTRL1		Offset		Reset Value			
H-Bridge Driver Control 1		00 _H		0101 0101 _H			
31	30	29	28	27	26	25	24
HS2_OC_DIS	HS2_OC_STS	HS2_SUP_ERR_STS	HS2_DS_STS	HS2_DCS_EN	HS2_ON	HS2_PWM	HS2_EN
rw	r	r	r	rw	rwhir	rwhir	rw
23	22	21	20	19	18	17	16
HS1_OC_DIS	HS1_OC_STS	HS1_SUP_ERR_STS	HS1_DS_STS	HS1_DCS_EN	HS1_ON	HS1_PWM	HS1_EN
rw	r	r	r	rw	rwhir	rwhir	rw
15	14	13	12	11	10	9	8
LS2_OC_DIS	LS2_OC_STS	LS2_SUP_ERR_STS	LS2_DS_STS	LS2_DCS_EN	LS2_ON	LS2_PWM	LS2_EN
rw	r	r	r	rw	rwhir	rwhir	rw
7	6	5	4	3	2	1	0
LS1_OC_DIS	LS1_OC_STS	LS1_SUP_ERR_STS	LS1_DS_STS	LS1_DCS_EN	LS1_ON	LS1_PWM	LS1_EN
rw	r	r	r	rw	rwhir	rwhir	rw

Field	Bits	Type	Description
HS2_OC_DIS	31	rw	High Side Driver Overcurrent Shutdown Select 0 _H Global Shutdown all bridges will be shut down in case of overcurrent 1 _H Local Shutdown only local bridge will be shut down in case of overcurrent
HS2_OC_STS	30	r	External High Side 2 FET Over-current Status 0 _B no Over-current no over-current Condition occurred. 1 _B Over-current over-current occurred; switch is automatically shut down.
HS2_SUPERR_STS	29	r	High Side Driver 2 Supply Error Status 0 _B NORMAL supply is in required range. 1 _B SUPPLY ERROR detected; this flag is an OR of the VSD_x_STS and VCP_x_STS flags.

Bridge Driver (incl. Charge Pump)

Field	Bits	Type	Description
HS2_DS_STS	28	r	High Side Driver 2 Drain Source Monitoring Status in OFF-State <i>Note: the status of the bit is valid only after HSx_DCS_EN bit was set to one.</i> 0 _B no short on external FET no short detected. 1 _B short on external FET detected short detected.
HS2_DCS_EN	27	rw	High Side Driver 2 Diagnosis Current Source Enable <i>Note: the status of the bit is valid only after LS2_DCS_EN bit was set to one.</i> 0 _H DISABLE disable current source 1 _H ENABLE enable current source; short diagnosis can be performed by evaluating the LSx/HSx_DS_STS Flag
HS2_ON	26	rwhir	High Side Driver 2 On 0 _B OFF Driver off 1 _B ON Driver on
HS2_PWM	25	rwhir	High Side Driver 2 PWM Enable 0 _B DISABLE disables control by PWM input 1 _B ENABLE enables control by PWM input
HS2_EN	24	rw	High Side Driver 2 Enable 0 _B DISABLE Driver circuit power off 1 _B ENABLE Driver circuit power on
HS1_OC_DIS	23	rw	High Side Driver Overcurrent Shutdown Select 0 _H Global Shutdown all bridges will be shut down in case of overcurrent 1 _H Local Shutdown only local bridge will be shut down in case of overcurrent
HS1_OC_STS	22	r	External High Side 1 FET Over-current Status 0 _B no Over-current no over-current Condition occurred. 1 _B Over-current over-current occurred; switch is automatically shut down.
HS1_SUPERR_STS	21	r	High Side Driver 1 Supply Error Status 0 _B NORMAL supply is in required range. 1 _B SUPPLY ERROR detected; this flag is an OR of the VDS_x_STS and VCP_x_STS flags.
HS1_DS_STS	20	r	High Side Driver 1 Drain Source Monitoring Status in OFF-State <i>Note: the status of the bit is valid only after HSx_DCS_EN bit was set to one.</i> 0 _B no short on external FET no short detected. 1 _B short on external FET detected short detected.
HS1_DCS_EN	19	rw	High Side Driver 1 Diagnosis Current Source Enable 0 _H DISABLE disable current source 1 _H ENABLE enable current source; short diagnosis can be performed by evaluating the LSx/HSx_DS_STS Flag

Bridge Driver (incl. Charge Pump)

Field	Bits	Type	Description
HS1_ON	18	rwhir	High Side Driver 1 On 0 _B OFF Driver off 1 _B ON Driver on
HS1_PWM	17	rwhir	High Side Driver 1 PWM Enable 0 _B DISABLE disables control by PWM input 1 _B ENABLE enables control by PWM input
HS1_EN	16	rw	High Side Driver 1 Enable 0 _B DISABLE Driver circuit power off 1 _B ENABLE Driver circuit power on
LS2_OC_DIS	15	rw	Low Side Driver Overcurrent Shutdown Select 0 _H Global Shutdown all bridges will be shut down in case of overcurrent 1 _H Local Shutdown only local bridge will be shut down in case of overcurrent
LS2_OC_STS	14	r	External Low Side 2 FET Over-current Status 0 _B no Over-current no over-current Condition occurred. 1 _B Over-current over-current occurred; switch is automatically shut down.
LS2_SUPERR_STS	13	r	Low Side Driver 2 Supply Error Status 0 _B NORMAL supply is in required range. 1 _B SUPPLY ERROR detected; this flag is an OR of the VDS_x_STS and VCP_x_STS flags.
LS2_DS_STS	12	r	Low Side Driver 2 Drain Source Monitoring Status in OFF-State <i>Note: the status of the bit is valid only after HSx_DCS_EN bit was set to one.</i> 0 _B no short on external FET no short detected. 1 _B short on external FET detected short detected.
LS2_DCS_EN	11	rw	Low Side Driver 2 Diagnosis Current Source Enable <i>Note: this bit has no effect as a low side driver diagnosis current source is not implemented.</i> 0 _H DISABLE disable current source 1 _H ENABLE enable current source; short diagnosis can be performed by evaluating the LSx/HSx_DS_STS Flag
LS2_ON	10	rwhir	Low Side Driver 2 On 0 _B OFF Driver off 1 _B ON Driver on
LS2_PWM	9	rwhir	Low Side Driver 2 PWM Enable 0 _B DISABLE disables control by PWM input 1 _B ENABLE enables control by PWM input
LS2_EN	8	rw	Low Side Driver 2 Enable 0 _B DISABLE Driver circuit power off 1 _B ENABLE Driver circuit power on

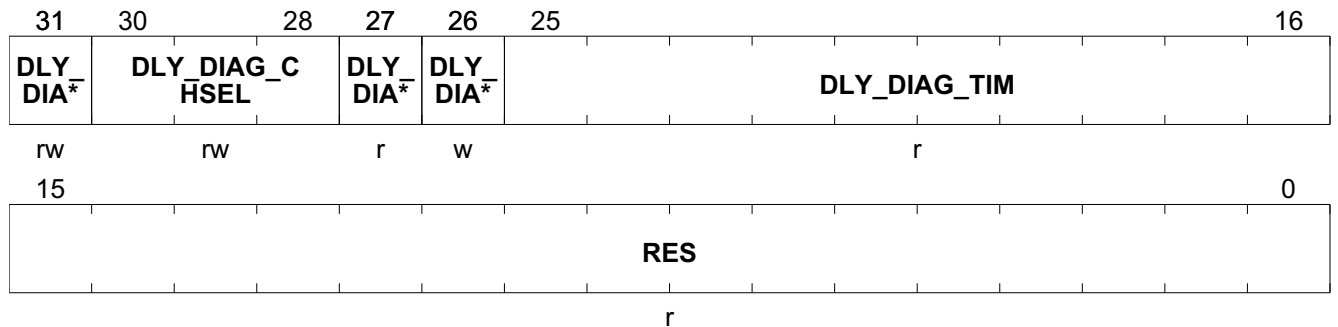
Bridge Driver (incl. Charge Pump)

Field	Bits	Type	Description
LS1_OC_DIS	7	rw	Low Side Driver 1 Overcurrent Shutdown Select 0 _H Global Shutdown all bridges will be shut down in case of overcurrent 1 _H Local Shutdown only local bridge will be shut down in case of overcurrent
LS1_OC_STS	6	r	External Low Side 1 FET Over-current Status 0 _B no Over-current no over-current Condition occurred. 1 _B Over-current over-current occurred; switch is automatically shut down.
LS1_SUPERR_STS	5	r	Low Side Driver 1 Supply Error Status 0 _B NORMAL supply is in required range. 1 _B SUPPLY ERROR detected; this flag is an OR of the VDS_x_STS and VCP_x_STS flags.
LS1_DS_STS	4	r	Low Side Driver 1 Drain Source Monitoring Status in OFF-State <i>Note: the status of the bit is valid only after HSx_DCS_EN bit was set to one.</i> 0 _B no short on external FET no short detected. 1 _B short on external FET detected short detected.
LS1_DCS_EN	3	rw	Low Side Driver 1 Diagnosis Current Source Enable <i>Note: this bit has no effect as a low side driver diagnosis current source is not implemented.</i> 0 _H DISABLE disable current source 1 _H ENABLE enable current source; short diagnosis can be performed by evaluating the LSx/HSx_DS_STS Flag
LS1_ON	2	rwhir	Low Side Driver 1 On 0 _B OFF Driver off 1 _B ON Driver on
LS1_PWM	1	rwhir	Low Side Driver 1 PWM Enable 0 _B DISABLE disables control by PWM input 1 _B ENABLE enables control by PWM input
LS1_EN	0	rw	Low Side Driver 1 Enable 0 _B DISABLE Driver circuit power off 1 _B ENABLE Driver circuit power on

H-Bridge Driver Control Register 2

The register is reset by RESET_TYPE_3.

CTRL2 **Offset**
H-Bridge Driver Control 2 **04_H** **Reset Value**
0000 0000_H



Field	Bits	Type	Description
DLY_DIAG_DIRSEL	31	rw	Ext. power diag timer on / off select 0 _B TURN-OFF measure turn-off time 1 _B TURN-ON measure turn-on time
DLY_DIAG_CHSEL	30:28	rw	Ext. power diag timer channel select 000 _B DISABLE diag timer deactivated. 001 _B HB1 LS select measure LS1 on/off delay time. 010 _B HB2 LS select measure LS2 on/off delay time. 100 _B DISABLE diag timer deactivated. 101 _B HB1 HS select measure HS1 on/off delay time. 110 _B HB2 HS select measure HS2 on/off delay time.
DLY_DIAG_STS	27	r	Ext. power diag timer valid flag <i>Note: Clear flag to start a measurement.</i> 0 _B Diag timer invalid diag timer measurement ongoing 1 _B Diag timer valid diag timer measurement finished
DLY_DIAG_SCLR	26	w	Ext. power diag timer valid flag clear 0 _B Diag timer valid not clear 1 _B Diag timer valid clear
DLY_DIAG_TIM	25:16	r	Ext. power diag timer result register
RES	15:0	r	Reserved Always read as 0

H-Bridge Driver Control 3

The register is reset by RESET_TYPE_3.

CTRL3 **Offset**
H-Bridge Driver Control 3 **08_H** **Reset Value**
0001 1111_H

31	30	29	28	27	26	25	24	23	22	21	20	19	18	17	16
RES	RES	RES			DRV CCP*	DRV CCP TIMSEL	RES					DSMONVTH			
r	r	r			rw	rw	r					rw			
15	14	13	12	11	10	9	8	7	6	5	4	3	2	1	0
RES	IDISCHA*	RES	IDISCHARGE_TRIM				RES	ICHARGE*	RES	ICHARGE_TRIM					
rw	rw	r	rw				rw	rw	r	rw					

Field	Bits	Type	Description
RES	31:30	r	Reserved Always read as 1
RES	29:27	r	Reserved Always read as 1
DRV_CCP_DIS	26	rw	Dynamic cross conduction protection Disable <i>Note: The cross conduction protection consists of two stages. This flag disables the first stage which is the activation of the delayed gate clamp after the configured cross conduction protection time. The second stage which is represented by the delayed gate clamp is still active and will be activated as soon as the opposite MOSFET within a inverter stage is activated.</i> 0 _B CCP Enable dynamic ccp is active. 1 _B CCP Disable dynamic ccp is disabled, delayed gate clamp remains active.
DRV_CCP_TIMSEL	25:24	rw	Minimum cross conduction protection time setting¹⁾ 00 _B 0.2us 200ns cross conduction protection time 01 _B 0.4us 400ns cross conduction protection time 10 _B 0.8us 800ns cross conduction protection time 11 _B 1.6us 1.6us cross conduction protection time
RES	23:19	r	Reserved Always read as 0

Bridge Driver (incl. Charge Pump)

Field	Bits	Type	Description
DSMONVTH	18:16	rw	Voltage Threshold for Drain-Source Monitoring of external FETs 000 _B 0.25_V Threshold 0 for VDS at 0.25 V 001 _B 0.5_V Threshold 1 for VDS at 0.5 V 010 _B 0.75_V Threshold 2 for VDS at 0.75 V 011 _B 1.0_V Threshold 3 for VDS at 1.0 V 100 _B 1.25_V Threshold 4 for VDS at 1.25 V 101 _B 1.5_V Threshold 5 for VDS at 1.5 V 110 _B 1.75_V Threshold 6 for VDS at 1.75 V 111 _B 2.0_V Threshold 7 for VDS at 2.0 V
RES	15	r	Reserved Always read as 0
IDISCHARGEDIV2_N	14	rw	IDISCHARGE Current divide by 2 not 0 _B Half Range available for charge current (max. is 150 mA) 1 _B Full Range available for charge current (max. is 300 mA)
RES	13	r	Reserved Always read as 0

Bridge Driver (incl. Charge Pump)

Field	Bits	Type	Description
IDISCHARGE_TRIM	12:8	rw	<p>Trimming of the internal driver dis-charge current</p> <p>0000_B HiZ Slew Rate Control is inactive</p> <p>0000_{1B} min discharge current lowest gate discharge current selected (do not use this setting!)</p> <p>00010_B typ. current 19.80 mA</p> <p>00011_B typ. current 31.10 mA</p> <p>00100_B typ. current 42.30 mA</p> <p>00101_B typ. current 53.90 mA</p> <p>00110_B typ. current 64.90 mA</p> <p>00111_B typ. current 76.20 mA</p> <p>01000_B typ. current 86.80 mA</p> <p>01001_B typ. current 98.00 mA</p> <p>01010_B typ. current 108.50 mA</p> <p>01011_B typ. current 119.40 mA</p> <p>01100_B typ. current 129.70 mA</p> <p>01101_B typ. current 140.30 mA</p> <p>01110_B typ. current 150.40 mA</p> <p>01111_B typ. current 160.80 mA</p> <p>10000_B typ. current 170.10 mA</p> <p>10001_B typ. current 180.30 mA</p> <p>10010_B typ. current 189.80 mA</p> <p>10011_B typ. current 199.60 mA</p> <p>10100_B typ. current 208.90 mA</p> <p>10101_B typ. current 218.40 mA</p> <p>10110_B typ. current 227.40 mA</p> <p>10111_B typ. current 236.70 mA</p> <p>11000_B typ. current 245.30 mA</p> <p>11001_B typ. current 254.30 mA</p> <p>11010_B typ. current 262.80 mA</p> <p>11011_B typ. current 271.50 mA</p> <p>11100_B typ. current 279.60 mA</p> <p>11101_B typ. current 288.00 mA</p> <p>11110_B typ. current 295.90 mA</p> <p>11111_B max charge current typ. current 304 mA</p>
RES	7	r	<p>Reserved</p> <p>Always read as 0</p>
ICHARGEDIV2_N	6	rw	<p>ICHARGE Current divide by 2 not</p> <p>0_B Half Range available for charge current (max. is 150 mA)</p> <p>1_B Full Range available for charge current (max. is 300 mA)</p>
RES	5	r	<p>Reserved</p> <p>Always read as 0</p>

Bridge Driver (incl. Charge Pump)

Field	Bits	Type	Description
ICHARGE_TRIM	4:0	rw	<p>Trimming of the internal driver charge current</p> <p>0000_B HiZ Slew Rate Control is inactive</p> <p>0000_B min charge current lowest gate charge current selected (do not use this setting!)</p> <p>0001_B typ. current 19.80 mA</p> <p>0001_B typ. current 31.10 mA</p> <p>0010_B typ. current 42.30 mA</p> <p>0010_B typ. current 53.90 mA</p> <p>0011_B typ. current 64.90 mA</p> <p>0011_B typ. current 76.20 mA</p> <p>0100_B typ. current 86.80 mA</p> <p>0100_B typ. current 98.00 mA</p> <p>0101_B typ. current 108.50 mA</p> <p>0101_B typ. current 119.40 mA</p> <p>0110_B typ. current 129.70 mA</p> <p>0110_B typ. current 140.30 mA</p> <p>0111_B typ. current 150.40 mA</p> <p>0111_B typ. current 160.80 mA</p> <p>1000_B typ. current 170.10 mA</p> <p>1000_B typ. current 180.30 mA</p> <p>1001_B typ. current 189.80 mA</p> <p>1001_B typ. current 199.60 mA</p> <p>1010_B typ. current 208.90 mA</p> <p>1010_B typ. current 218.40 mA</p> <p>1011_B typ. current 227.40 mA</p> <p>1011_B typ. current 236.70 mA</p> <p>1100_B typ. current 245.30 mA</p> <p>1100_B typ. current 254.30 mA</p> <p>1101_B typ. current 262.80 mA</p> <p>1101_B typ. current 271.50 mA</p> <p>1110_B typ. current 279.60 mA</p> <p>1110_B typ. current 288.00 mA</p> <p>1111_B typ. current 295.90 mA</p> <p>1111_B max charge current typ. current 304 mA</p>

1) if MI_CLK = 20 MHz

27.5.2 Driver Trimming Register

Trimming Driver

This register is password protected, see **PASSWD**. Writing to it is only possible if password is set. Write access without opened passwd scheme will cause a HardFault.

TRIM_DRVx **Offset**
 Trimming of Driver **18_H** **Reset Value**
0000 0000_H

31				26				25	24	23	22	21	20	19	18	17	16		
Res												CPLW_T FILTS*	RES	HS2D RV*	HS1D RV*	RES	HS2D RV*	HS1D RV*	HSDRV_D S_TFIL*
												rwp2	r	rwp2	rwp2	r	rwp2	rwp2	rwp2
15	14	13	12	11	10	9	8	7	6	5	4	2		1	0				
RES	LS2D RV*	LS1D RV*	RES	LS2D RV*	LS1D RV*	LSDRV_D S_TFIL*	RES	DRV_CCP TIMMUL	RES		RES		LS_HS_B T_TFIL*						
r	rwp2	rwp2	r	rwp2	rwp2	rwp2	r	rwp2	r		r		rwp2						

Field	Bits	Type	Description
RES	31:26	r	Reserved Always read as 0
CPLW_TFILTS_SEL	25:24	rwp2	Filter Time for Charge Pump Voltage Low Diagnosis <i>Note: this SFR can only be written if the corresponding SCU_DM password register is written!</i> 00 _B 4_μs 4 μs filter time 01 _B 8_μs 8 μs filter time 10 _B 16_μs 16 μs filter time 11 _B 32_μs 32 μs filter time
RES	23	r	Reserved Always read as 0
HS2DRV_OCSDN_DIS	22	rwp2	High Side 2 Predriver in overcurrent situation disable <i>Note: this SFR can only be written if the corresponding SCU_DM password register is written!</i> 0 _B Enable Predriver shutdown in overcurrent situation enable 1 _B Disable Predriver shutdown in overcurrent situation disable

Bridge Driver (incl. Charge Pump)

Field	Bits	Type	Description
HS1DRV_OCSDN_DIS	21	rwp2	<p>High Side 1 Predriver in overcurrent situation disable</p> <p><i>Note: this SFR can only be written if the corresponding SCU_DM password register is written!</i></p> <p>0_B Enable Predriver shutdown in overcurrent situation enable</p> <p>1_B Disable Predriver shutdown in overcurrent situation disable</p>
RES	20	r	<p>Reserved</p> <p>Always read as 0</p>
HS2DRV_FDISCHG_DIS	19	rwp2	<p>High Side 2 Predriver fast discharge disable</p> <p><i>Note: this SFR can only be written if the corresponding SCU_DM password register is written!</i></p> <p>0_B Enable Predriver shutdown fast discharge enable</p> <p>1_B Disable Predriver shutdown fast discharge disable</p>
HS1DRV_FDISCHG_DIS	18	rwp2	<p>High Side 1 Predriver fast discharge disable</p> <p><i>Note: this SFR can only be written if the corresponding SCU_DM password register is written!</i></p> <p>0_B Enable Predriver shutdown fast discharge enable</p> <p>1_B Disable Predriver shutdown fast discharge disable</p>
HSDRV_DS_TFILT_SEL	17:16	rwp2	<p>Filter Time for Drain-Source Monitoring of High Side Drivers</p> <p><i>Note: this SFR can only be written if the corresponding SCU_DM password register is written!</i></p> <p>00_B 1_μs 1 μs filter time</p> <p>01_B 2_μs 2 μs filter time</p> <p>10_B 4_μs 4 μs filter time</p> <p>11_B 8_μs 8 μs filter time</p>
RES	15	r	<p>Reserved</p> <p>Always read as 0</p>
LS2DRV_OCSDN_DIS	14	rwp2	<p>Low Side 2 Predriver in overcurrent situation disable</p> <p><i>Note: this SFR can only be written if the corresponding SCU_DM password register is written!</i></p> <p>0_B Enable Predriver shutdown in overcurrent situation enable</p> <p>1_B Disable Predriver shutdown in overcurrent situation disable</p>
LS1DRV_OCSDN_DIS	13	rwp2	<p>Low Side 1 Predriver in overcurrent situation disable</p> <p><i>Note: this SFR can only be written if the corresponding SCU_DM password register is written!</i></p> <p>0_B Enable Predriver shutdown in overcurrent situation enable</p> <p>1_B Disable Predriver shutdown in overcurrent situation disable</p>

Bridge Driver (incl. Charge Pump)

Field	Bits	Type	Description
RES	12	r	Reserved Always read as 0
LS2DRV_FDISCHG_DIS	11	rwp2	Low Side 2 Predriver fast discharge disable <i>Note: this SFR can only be written if the corresponding SCU_DM password register is written!</i> 0 _B Enable Predriver shutdown fast discharge enable 1 _B Disable Predriver shutdown fast discharge disable
LS1DRV_FDISCHG_DIS	10	rwp2	Low Side 1 Predriver fast discharge disable <i>Note: this SFR can only be written if the corresponding SCU_DM password register is written!</i> 0 _B Enable Predriver shutdown fast discharge enable 1 _B Disable Predriver shutdown fast discharge disable
LSDRV_DS_TFILT_SEL	9:8	rwp2	Filter Time for Drain-Source Monitoring of Low Side Drivers <i>Note: this SFR can only be written if the corresponding SCU_DM password register is written!</i> 00 _B 1_μs 1 μs filter time 01 _B 2_μs 2 μs filter time 10 _B 4_μs 4 μs filter time 11 _B 8_μs 8 μs filter time
RES	7	r	Reserved Always read as 0
DRV_CCPTIMMUL	6:5	rwp2	Multiplier bits for cross conduction time settings in register DRV_CCP_TIMSEL, BF-Step only <i>Note: this SFR can only be written if the corresponding SCU_DM password register is written!</i> 00 _B MUL1 DRV_CCP_TIMSEL value is multiplied by 1 01 _B MUL2 DRV_CCP_TIMSEL value is multiplied by 2 10 _B MUL4 DRV_CCP_TIMSEL value is multiplied by 4 11 _B MUL4 DRV_CCP_TIMSEL value is multiplied by 4
RES	4:2	r	Reserved Always read as 0
LS_HS_BT_TFILT_SEL	1:0	rwp2	Blanking Time for Drain-Source Monitoring of Low / High Side Drivers <i>Note: this SFR can only be written if the corresponding SCU_DM password register is written!</i> 00 _B 1_μs 1 μs filter time 01 _B 2_μs 2 μs filter time 10 _B 4_μs 4 μs filter time 11 _B 8_μs 8 μs filter time

Bridge Driver (incl. Charge Pump)

Field	Bits	Type	Description
VCP_UPTH_STS	19	r	Charge Pump MU High Status 0 _B Charge Pump Output Voltage ok no overvoltage detected 1 _B Charge Pump Output Voltage too high overvoltage on charge pump output detected
DRVx_VCPUP_DIS	18	rw	Driver On Charge Pump Upper Voltage Disable 0 _B Driver Enable DRVx on Charge Pump overvoltage enable. 1 _B Driver Disable DRVx on Charge Pump overvoltage disable.
VCP_LOTH1_STS	17	r	Charge Pump MU Low Status 0 _B Charge Pump Output Voltage ok no undervoltage detected. 1 _B Charge Pump Output Voltage too low undervoltage on chargepump output detected.
DRVx_VCPLO_DIS	16	rw	Driver On Charge Pump Low Voltage Disable 0 _B Driver Enable DRVx on Charge Pump undervoltage enable. 1 _B Driver Disable DRVx on Charge Pump undervoltage disable.
RES	15:11	r	Reserved Always read as 0
VCP_LOWTH2	10:8	rw	Charge Pump Output Voltage Lower Threshold Detection Level 000 _B 7.325_V Threshold 0 001 _B 7.654_V Threshold 1 010 _B 7.982_V Threshold 2 011 _B 8.309_V Threshold 3 100 _B 8.638_V Threshold 4 101 _B 8.966_V Threshold 5 110 _B 9.293_V Threshold 6 111 _B 9.620_V Threshold 7
RES	7:6	r	Reserved Always read as 0
VCP_LOTH2_STS	5	r	Charge Pump Low Status¹⁾ 0 _B Charge Pump Output Voltage ok no undervoltage detected. 1 _B Charge Pump Output Voltage too low undervoltage on chargepump output detected.
RES	4:3	r	Reserved Always read as 0
CP_RDY_EN	2	rw	Bridge Driver on Charge Pump Ready Enable 0 _B OFF Bridge Driver can be immediately enabled 1 _B ON Bridge Driver can only be enabled when Charge Pump is ready
RES	1	r	Reserved Always read as 0

Bridge Driver (incl. Charge Pump)

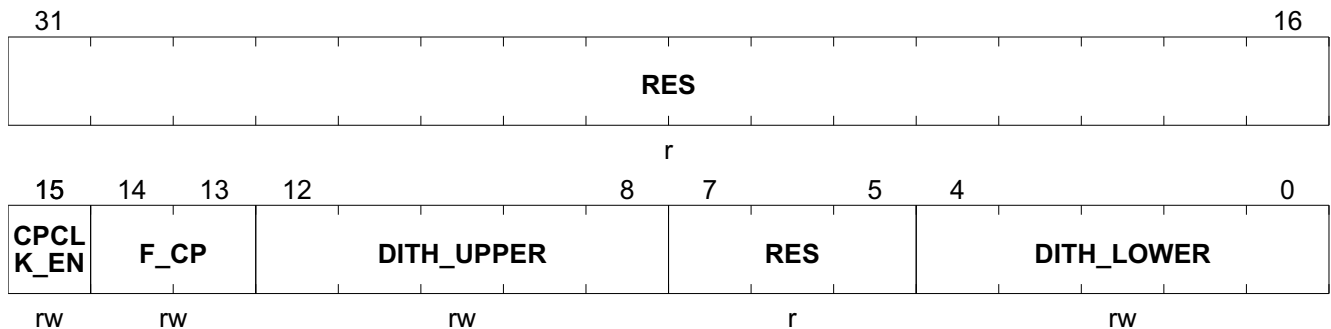
Field	Bits	Type	Description
CP_EN	0	rw	Charge Pump Enable 0 _B DISABLE Charge Pump, circuit power off 1 _B ENABLE Charge Pump, circuit power on

1) VCP_LOW: a potential root cause for VCP undervoltage is an external short of a gate driver output. Reactivation of the bridge driver should only be done when the short circuit condition is removed to avoid repetitive stress of the affected output stage.

Charge Pump Clock Control Register

The register is reset by RESET_TYPE_3.

CP_CLK_CTRL	Offset	Reset Value
Charge Pump Clock Control Register	24_H	0000 CA16_H



Field	Bits	Type	Description
RES	31:16	r	Reserved Always read as 0
CPCLK_EN	15	rw	Charge Pump Clock Enable 0 _B DISABLE Charge Pump Clock is switched off and has value of 0 1 _B ENABLE Charge Pump Clock is running
F_CP	14:13	rw	MSB of CP_CLK divider CP_CLK frequency is defined by the concatenation of f_cp and dith_upper for the upper boundary during dithering, and dith_lower for the lower boundary
DITH_UPPER	12:8	rw	CP_CLK upper frequency boundary during dithering legal values are equal or greater than DITH_LOWER, see definition of f_cp
RES	7:5	r	Reserved Always read as 0
DITH_LOWER	4:0	rw	CP_CLK lower frequency boundary during dithering legal values are equal or less than DITH_UPPER, see definition of f_cp

The 4-Channel H-Bridge allows to drive the motor in both directions. Settings are done via LIN. Synchronization with a second motor can be done with an external LIN/KLine transceiver. Motor position and speed is sensed with the sensor connected via analog input or SPI.

Table 168 External Component (BOM)

Symbol	Function	Component
C_{VS1}	Blocking capacitor at VS pin	≥ 100 nF Ceramic, ESR $< 1 \Omega$
C_{VS2}	Blocking capacitor at VS pin	$> 2.2 \mu\text{F}$ Elco ¹⁾
C_{VDDP1}	Blocking capacitor at VDDP pin	≥ 100 nF Ceramic, ESR $< 1 \Omega$
C_{VDDP2}	Blocking capacitor at VDDP pin	$\geq 1 \mu\text{F}$
$C_{VDDEXT1}$	Blocking capacitor at VDDEXT pin	≥ 100 nF, Ceramic ESR $< 1 \Omega$
$C_{VDDEXT2}$	Blocking capacitor at VDDEXT pin	$\geq 1 \mu\text{F}$
C_{VDDC1}	Blocking capacitor at VDDC pin	≥ 100 nF Ceramic, ESR $< 1 \Omega$
C_{VDDC2}	Blocking capacitor at VDDC pin	≥ 330 nF
C_{VAREF}	Blocking capacitor at VAREF pin	100 nF, Ceramic ESR $< 1 \Omega$
C_{LIN}	Standard C for LIN slave	220 pF
C_{ADC}	Filter C for sensor interface	39 nF (for OSR = 512)
C_{VSD}	Filter C for charge pump end driver	1 μF
C_{CP1}	Charge pump capacitor	220 nF
C_{CP2}	Charge pump capacitor	220 nF
C_{VCP}	Charge pump capacitor	470 nF
C_{VAREF}	Blocking capacitor at VAREF pin	100 nF, Ceramic ESR $< 1 \Omega$
C_{MON}	Filter C for ISO pulses	10 nF
C_{VDH}	Capacitor	3.3 nF
C_{EMCP1}, C_{EMCP2}	Capacitor	1 nF
C_{PH}	Capacitor	depending on usecase
C_{VBAT_SENSE}	Filter C for ISO pulses	10 nF
R_{MON}	Resistor at MON pin	3.9 k Ω
R_{VBAT_SENSE}	Resistor at VBAT_SENSE pin	1 k Ω
R_{VSD}	Limitation of reverse current due to transient (-2V, 8ms)	2.2 Ω
R_{VDH}	Resistor	1 k Ω
R_{GATE}	Gate resistor	2.2 Ω
R_{ADC}	Filter resistor	1 K Ω (for OSR = 512)
R_{VAREF}	Resistor at VAREF for filtering of reference voltage	200 Ω (for OSR = 512)
R_{RP1}	Resistor to charge reverse polarity transistor gate	3.3 K Ω
R_{RP2}	Resistor for reverse polarity discharge transistor	10 K Ω
$T_{H1}, T_{H2}, T_{L1}, T_{L2}$	H-Bridge, N-Channel MOSFET	IPD90N04S4-05
T_{RP}	Reverse Polarity, N-Channel MOSFET	IPD90N04S4-05
T_{RPG}	Reverse Diode for Transistor TRP	–
D_{RP}	Diode to discharge Reverse Polarity Gate,	–

Table 168 External Component (BOM)

Symbol	Function	Component
D_{VS}	Reverse-polarity protection diode	–
R_{TMS}	Pull-down resistance at TMS pin	500 Ω

1) The capacitor must be dimensioned so as to ensure that flash operations modifying the content of the flash are never interrupted (e.g. in case of power loss).

28.2 ESD Immunity According to IEC61000-4-2

Note: Tests for ESD immunity according to IEC61000-4-2 “Gun test” (150pF, 330 Ω) has been performed. The results and test condition will be available in a test report.

Table 169 ESD “Gun Test”

Performed Test	Result	Unit	Remarks
ESD at pin LIN, versus GND ¹⁾	> 6	kV	positive pulse
ESD at pin LIN, versus GND ¹⁾	< -6	kV	negative pulse

1)ESD test “ESD GUN” is specified with external components; see application diagram:

$C_{MON} = 100 \text{ nF}$, $R_{MON} = 1 \text{ k}\Omega$, $C_{LIN} = 220 \text{ pF}$, $C_{VS} = >20 \text{ }\mu\text{F ELCO} + 100 \text{ nF ESR} < 1 \text{ }\Omega$, $C_{VSD} = 1 \text{ }\mu\text{F}$, $R_{VSD} = 2 \text{ }\Omega$.

29 Revision History

Revision	Date	Changes
1.0	2015-06-02	Initial Release
1.1	2016-06-14	PLL Functional Description Normal Mode editorial changes
		Clock Tree figure updated
		MODPISEL1 .GPT12CAPINB updated
		EXICON0 .MON renamed to MON_Trig_Sel
		External Interrupt Control Registers editorial changes
		GPT12E. PISEL .ISCAPIN editorial changes
		Register TRIM_DRVx updated, DRV_CCP_TIMMUL added (BF-Step)
1.2	2016-10-05	ADC2 IIR-Filter updated
		External Voltage Regulator 5.0V (VDDEXT) editorial changes
		Timer 2 Module I/O Interface updated, P2.5 direction corrected
		ADC1 Trigger Selection CCU6.T13 and GPT12.T6 selection added
		UART1 Module I/O Interface updated, P1.4 stated to be input and output
		UART2 Module I/O Interface updated, P1.2/TXD2 replaced by P1.1/TXD2
		Bridge Driver Diagnosis editorial changes, IDISCHARGE_TRIM value corrected to 1
		Driver Module Block Diagram (incl. system connections) updated
		LIN Baud Rate Detection chapter reworked
		LINSCLR moved into UART chapter
		In chapter Hardware Reset the register link corrected
1.3	2017-06-27	SYS_IS description for bit LIN_TMOU_OUT_IS corrected
		In Table 138 the settings for channels 7..9 updated
		Table 120 was added to support proper synch break recognition
		ADC2. FILT_OUT0 and following, description updated
		SFRs Associated with Timer Block GPT1 updated
		SFRs Associated with Timer Block GPT2 updated
		Interrupt Node Assignment all figures updated
		Interrupt Flags Overview table updated
		Table 152 , ADC2 default upper/lower thresholds updated
		SCON2 register removed, all information available in SCON register
		ADC2 Figure 180 register naming updated
		PMU Sleep Mode Entry Timing figure updated
		PMU Sleep Mode LIN Wake-Up Timing figure updated
		PMU VDDP figure updated
		PMU VDDC figure updated
		SCU PLL Block Diagram updated
		SCUPM Block diagram of CGU including Clock Watchdogs updated
		ADC1 Trigger Selection GPT12.T6 selection corrected
		GPT12E Table 78 for Capture Mode added

Revision History

Revision	Date	Changes
		P1_OD register population updated
		Alternate Function Map for GPIOs added

Edition 2017-07-05

**Published by
Infineon Technologies AG
81726 Munich, Germany**

**© 2017 Infineon Technologies AG
All Rights Reserved.**

Legal Disclaimer

The information given in this document shall in no event be regarded as a guarantee of conditions or characteristics. With respect to any examples or hints given herein, any typical values stated herein and/or any information regarding the application of the device, Infineon Technologies hereby disclaims any and all warranties and liabilities of any kind, including without limitation, warranties of non-infringement of intellectual property rights of any third party.

Information

For further information on technology, delivery terms and conditions and prices, please contact the nearest Infineon Technologies Office (www.infineon.com).

Warnings

Due to technical requirements, components may contain dangerous substances. For information on the types in question, please contact the nearest Infineon Technologies Office.

Infineon Technologies components may be used in life-support devices or systems only with the express written approval of Infineon Technologies, if a failure of such components can reasonably be expected to cause the failure of that life-support device or system or to affect the safety or effectiveness of that device or system. Life support devices or systems are intended to be implanted in the human body or to support and/or maintain and sustain and/or protect human life. If they fail, it is reasonable to assume that the health of the user or other persons may be endangered.