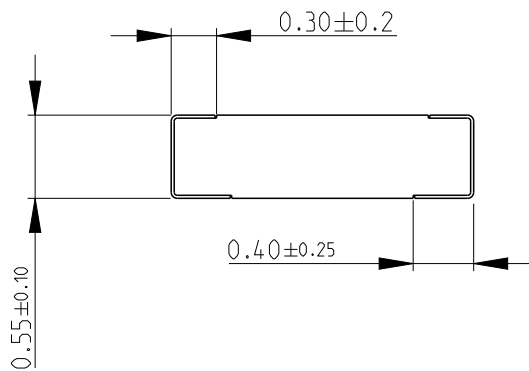
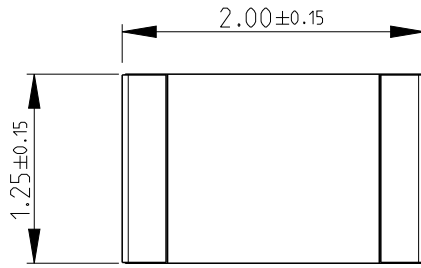


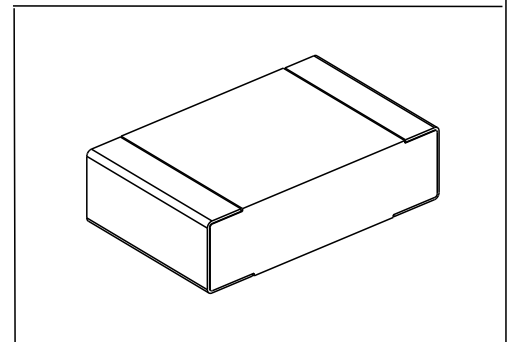
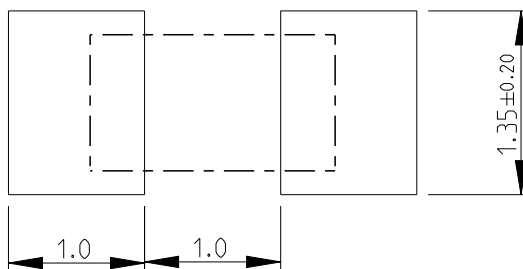
REVISIONS					
P	LTR	DESCRIPTION	DATE	DWN	APVD
	BA1	ECR-15-002767	20FEB2015	KR	TN



NOTES:

- 1) FOR FURTHER INFORMATION SEE DATA SHEET FOR RN73 SERIES-HIGH PRECISION RESISTORS (SMD)
- 2) 250 PER REEL PACKING SPEC NO LONGER AVAILABLE

RECOMMENDED LAND PATTERN



2010

RELEASED FOR PUBLICATION

ALL RIGHTS RESERVED.

THIS DRAWING IS UNPUBLISHED.

BY -

© COPYRIGHT 2010

DIMENSIONS:		DWN	08OCT2010	MATERIAL	-	FINISH	-
mm		PARUSURAM.T		TE Connectivity			
TOLERANCES UNLESS OTHERWISE SPECIFIED:		CHK	08OCT2010				
0 PLC	±0.2	ALLAN.P		NAME HIGH PRECISION RESISTORS (SMD) SERIES RN73 2A			
1 PLC	±0.1	APVD	08OCT2010				
2 PLC	±	STEPHEN.P		SIZE	CAGE CODE	DRAWING NO	RESTRICTED TO
3 PLC	±	PRODUCT SPEC	-	A 4	00779	©=1676172	-
4 PLC	±	APPLICATION SPEC	-	Customer Drawing			
ANGLES	±5°	WEIGHT	-	SCALE	20:1	SHEET	1 OF 1
						REV	BA1