

# Type MOCBM-PX Modified Reset Circuit Breaker Automotive Type II Maxi Automotive Blade Type



www.optifuse.com (619) 593-5050

**Applications:**

Battery charges, trucks, busses, RV's, trolling motors, etc.

**Specifications:**

**Circuit Breaker Type** – Maxi Auto Blade Type, Modified Reset (Type II)

Modified reset circuit breakers are devices that are opened by over-current and remain open as long as the power is on to the affected circuit or until load is removed.

**Voltage:** 14 VDC

**Amperage:** 6A, 8A, 10A, 15A, 20A, 25A, 30A, 35A, 40A, 50A

**Body:** Grey Thermoplastic UL-Rated 94-V0

**Terminals:** Brass tin-plated

**Operating Temperature:** -40° F (-29° C) ~ 185° F (85° C)

**Storage Temperature:** -40° F (-29° C) ~ 260° F (125° C)

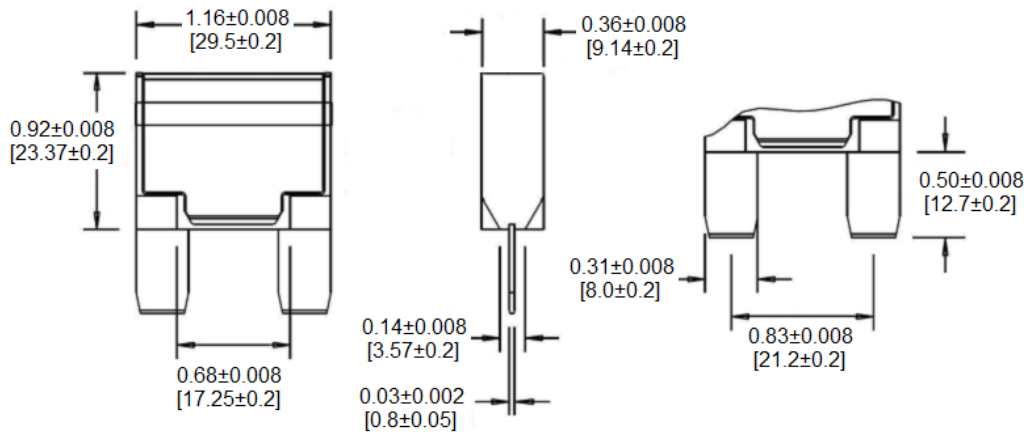
**Interrupt Rating:**

- 150A @ 14 VDC (6A ~ 10A)
- 225A @ 14 VDC (15A)
- 300A @ 14 VDC (20A)
- 450A @ 14 VDC (25A ~ 30A)
- 600A @ 14 VDC (35A ~ 40A)
- 750A @ 14 VDC (50A)

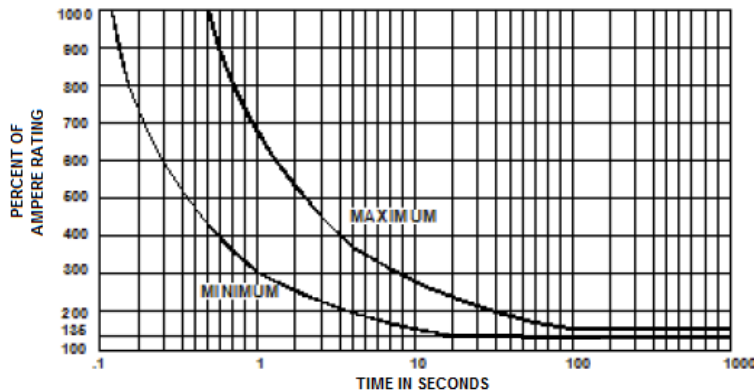
**Agency Standards and Listings:**

Conforms to SAE J553 (Type II) standard

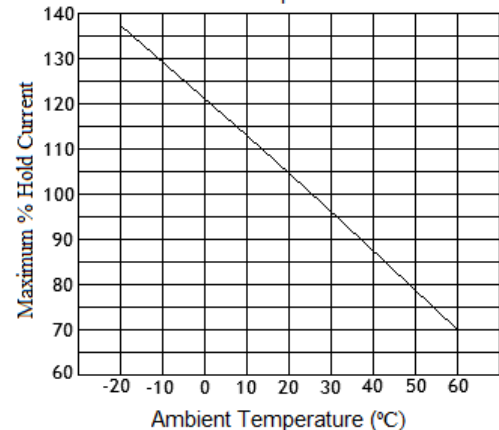
**Mechanical Dimensions: Inches [mm]:**



**TIME CURRENT CURVE**



**Ambient Compensation Chart**



**Warning:**



- Operation beyond the specified maximum ratings or improper use may result in damage and possible electrical arcing and/or flame.
- Device are intended for occasional overcurrent protection. Application for repeated overcurrent condition and/or prolonged trip are not anticipated.
- Avoid contact of device with chemical solvent. Prolonged contact will damage the device performance.