

Customer Information Sheet

DRAWING No.: G125-MS1XX05M3R

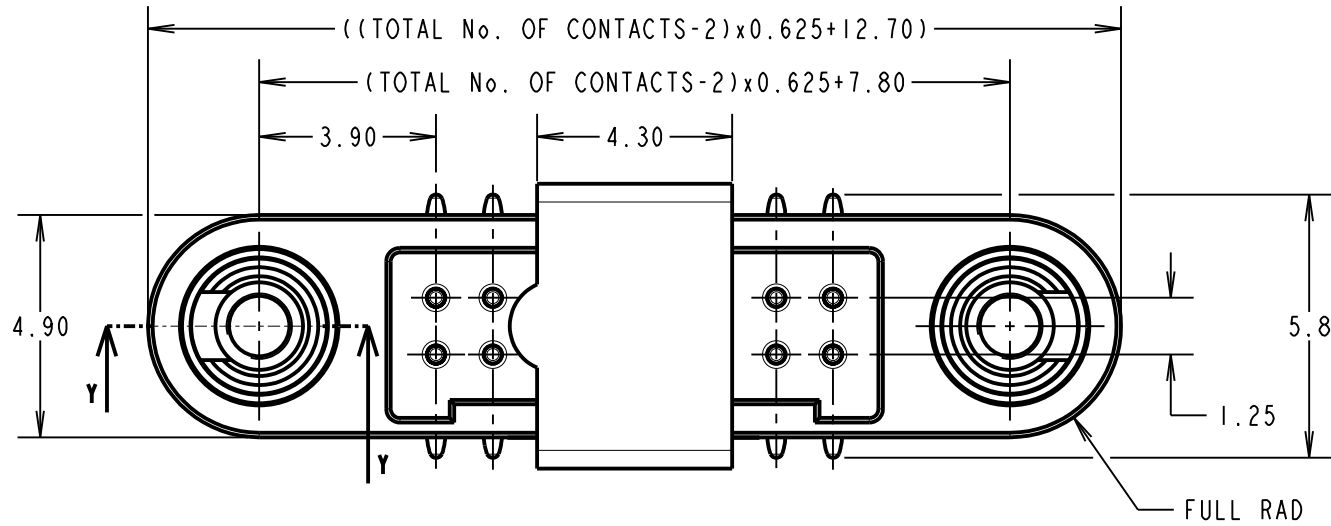
IF IN DOUBT - ASK

©

NOT TO SCALE

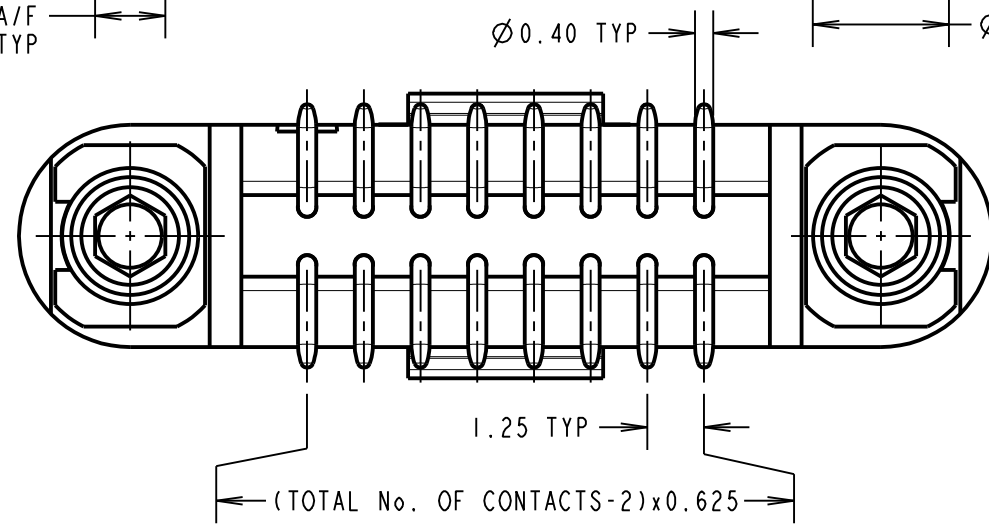
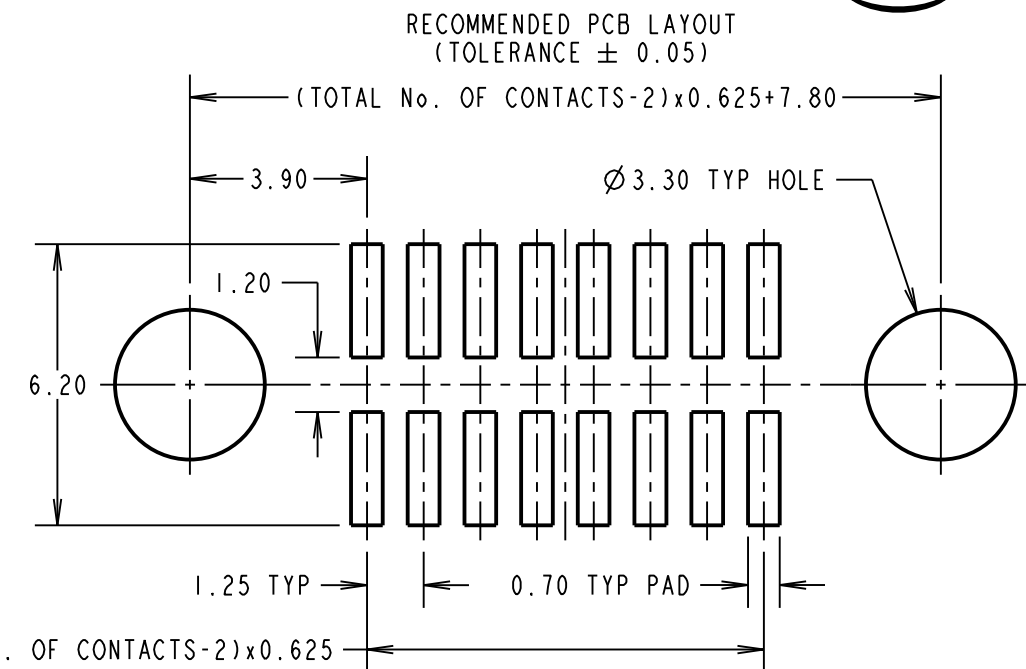
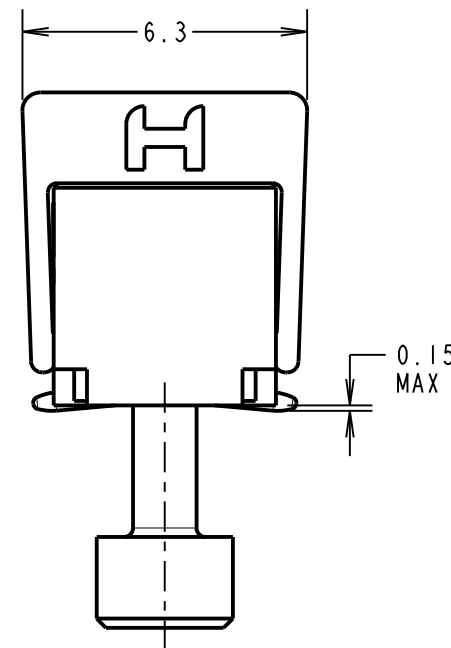
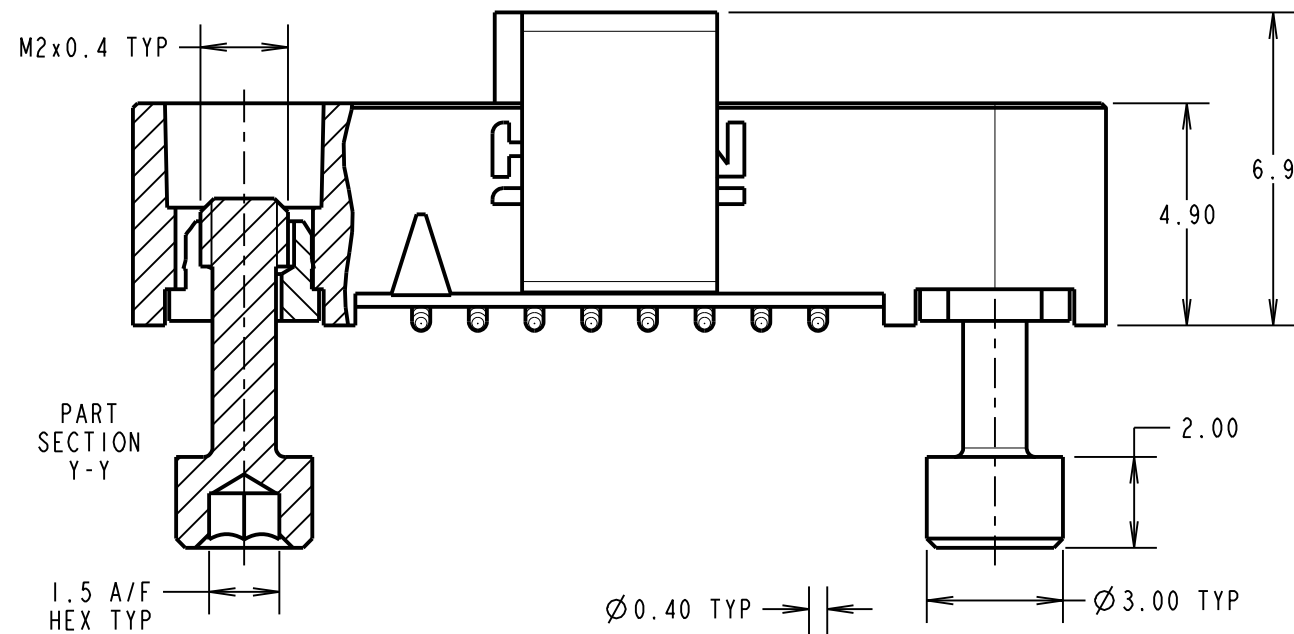
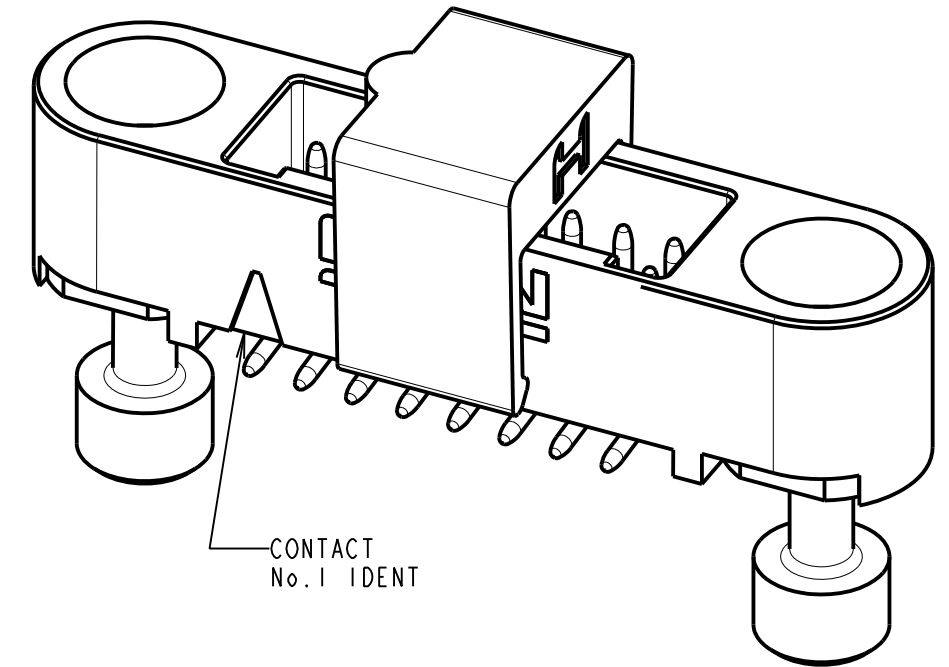
THIRD ANGLE PROJECTION

ALL DIMENSIONS IN mm



ORDER CODE:
G125-MS1XX05M3R

TOTAL No. OF CONTACTS:
06, 10, 12, 16, 20, 26, 34 & 50.



CONNECTOR AND PCB LAYOUT DETAILS ONLY.
SEE SHEET 4 FOR TAPE AND REEL DETAILS.

NOTES:

- FOR MATERIALS, FINISH AND SPECIFICATIONS SEE GECKO SERIES SPECIFICATION SUMMARY SHEET OR COMPONENT SPECIFICATION C125XX (LATEST ISSUE) FOR FULL SPECIFICATION.
- CO-PLANARITY OF SMT TAILS = 0.10mm MAX.
- DRAWING SHOWS CONNECTOR WITH 16 CONTACTS.

RA	2	17.09.20	30145
NAME	ISS.	DATE	CN/CO
APPROVED: R.ALEXANDER			
CHECKED: R.PORTLOCK			
DRAWN: MARK G PLESTED			
CUSTOMER REF.:			
ASSEMBLY DRG:			



HARWIN

www.harwin.com
technical@harwin.com

THIS DRAWING AND ANY INFORMATION OR DESCRIPTIVE MATTER SET OUT HEREON ARE CONFIDENTIAL AND COPYRIGHT PROPERTY OF THE HARWIN GROUP AND MUST NOT BE DISCLOSED, LOANED, COPIED OR USED FOR MANUFACTURING, TENDERING OR FOR ANY OTHER PURPOSE WITHOUT THEIR WRITTEN PERMISSION.

TOLERANCES
X. = ±1mm
X.X = ±0.50mm
X.XX = ±0.20mm
X.XXX = ±0.01mm
ANGLES = ±5°
UNLESS STATED

MATERIAL: SEE ABOVE
FINISH: SEE ABOVE
S/AREA: mm²

TITLE:
GECKO SL REVERSE FIX MALE
VERTICAL SMT CONNECTOR IN T&R
DRAWING NUMBER:
G125-MS1XX05M3R
SHT 3 OF 4

Customer Information Sheet

DRAWING No.: G125-MS1XX05M3R

IF IN DOUBT - ASK

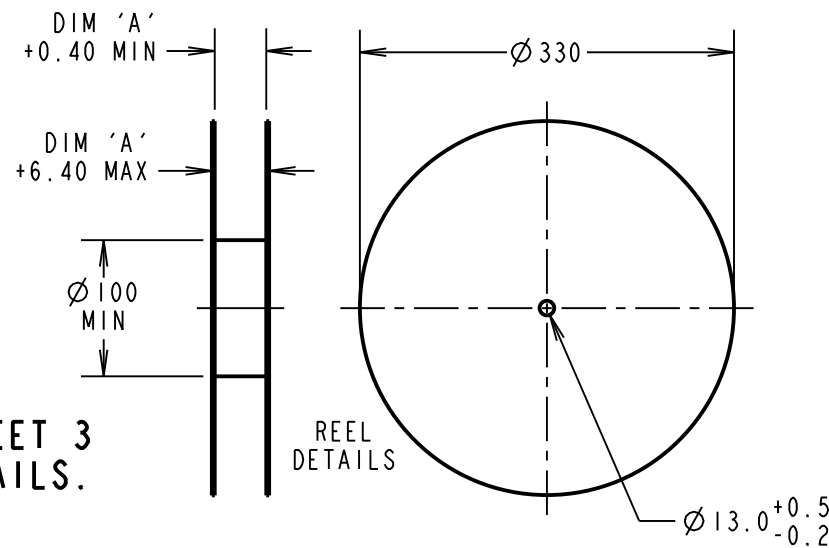
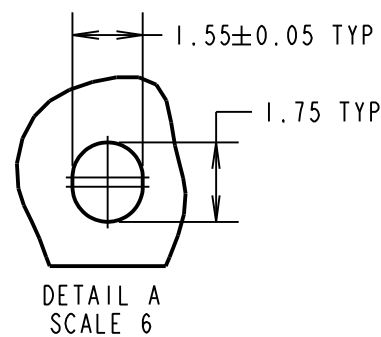
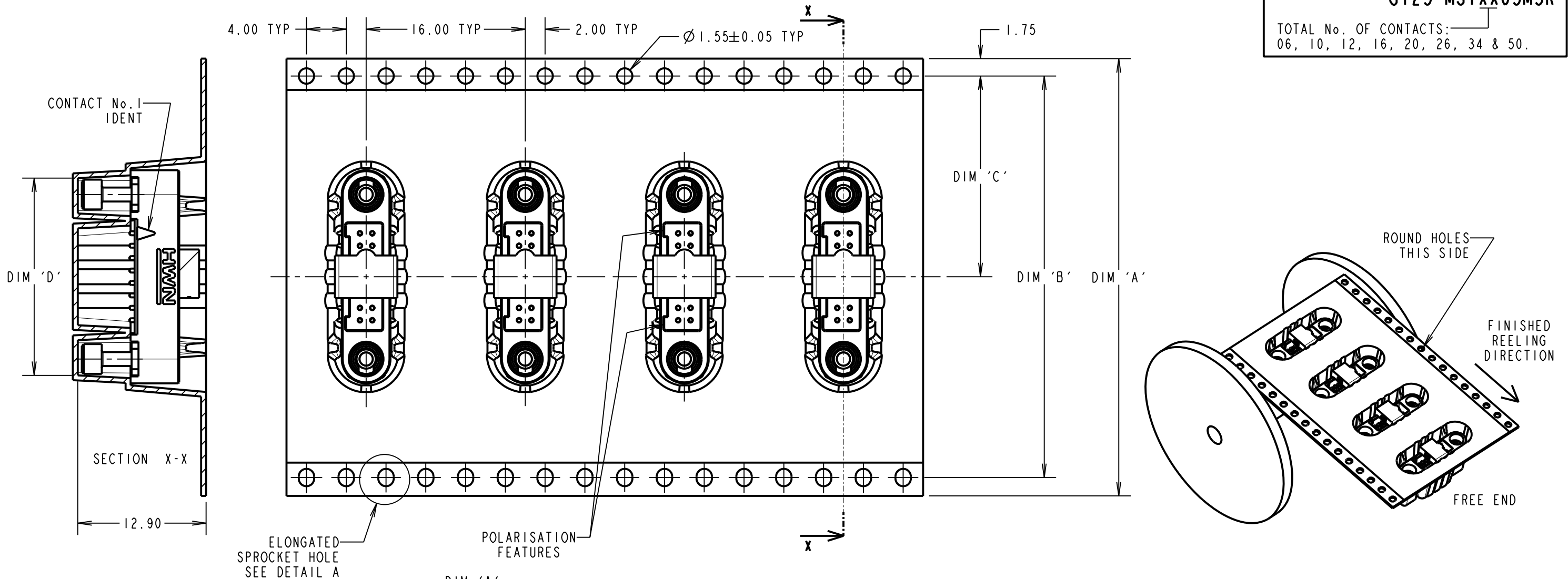
©

NOT TO SCALE

THIRD ANGLE PROJECTION

ALL DIMENSIONS IN mm

ORDER CODE: **G125-MS1XX05M3R**
 TOTAL No. OF CONTACTS: 06, 10, 12, 16, 20, 26, 34 & 50.



TAPE & REEL DETAILS ONLY. SEE SHEET 3 FOR CONNECTOR AND PCB LAYOUT DETAILS.

NOTES CONT.:

4. THIS PRODUCT IS TAPE AND REELED IN GENERAL ACCORDANCE WITH EIA-481 (ELECTRONICS INDUSTRIES ASSOCIATION).
5. COMPONENTS ARE ORIENTED IN TAPE POCKETS AS SHOWN.
6. COMPONENTS ARE SUPPLIED IN REELS OF 250 CONNECTORS.
7. SEE DRAWING G125-MS1XX05M3P OTHER QUANTITIES.

PART No.	DIM 'A'	DIM 'B'	DIM 'C'	DIM 'D'
G125-MS10605M3R	32.0±0.3	28.40	14.20	13.60
G125-MS11005M3R				16.10
G125-MS11205M3R				17.35
G125-MS11605M3R	44.0±0.3	40.40	20.20±0.15	19.85
G125-MS12005M3R				22.20±0.15
G125-MS12605M3R	56.0±0.3	52.40	26.20±0.15	26.00±0.15
G125-MS13405M3R				30.90±0.15
G125-MS15005M3R				41.00±0.15

RA	2	17.09.20	30145
NAME	ISS.	DATE	CN/CO
APPROVED: R.ALEXANDER			
CHECKED: R.PORTLOCK			
DRAWN: MARK G PLESTED			
CUSTOMER REF.:			
ASSEMBLY DRG:			

HARWIN

www.harwin.com
 technical@harwin.com

THIS DRAWING AND ANY INFORMATION OR DESCRIPTIVE MATTER SET OUT HEREON ARE CONFIDENTIAL AND COPYRIGHT PROPERTY OF THE HARWIN GROUP AND MUST NOT BE DISCLOSED, LOANED, COPIED OR USED FOR MANUFACTURING, TENDERING OR FOR ANY OTHER PURPOSE WITHOUT THEIR WRITTEN PERMISSION.

TOLERANCES
 X. = ±1mm
 X.X = ±0.50mm
 X.XX = ±0.20mm
 X.XXX = ±0.01mm
 ANGLES = ±5°
 UNLESS STATED

MATERIAL:
 SEE SHEET 3
FINISH: SEE SHEET 3
S/AREA: mm²

TITLE:
 GECKO SL REVERSE FIX MALE VERTICAL SMT CONNECTOR IN T&R
DRAWING NUMBER:
G125-MS1XX05M3R
 SHT 4 OF 4