

# Customer Information Sheet

IF IN DOUBT - ASK

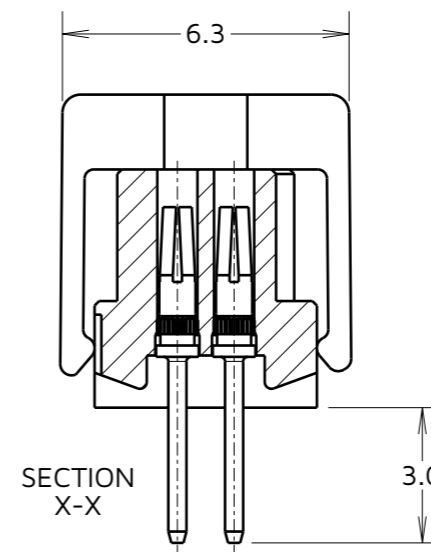
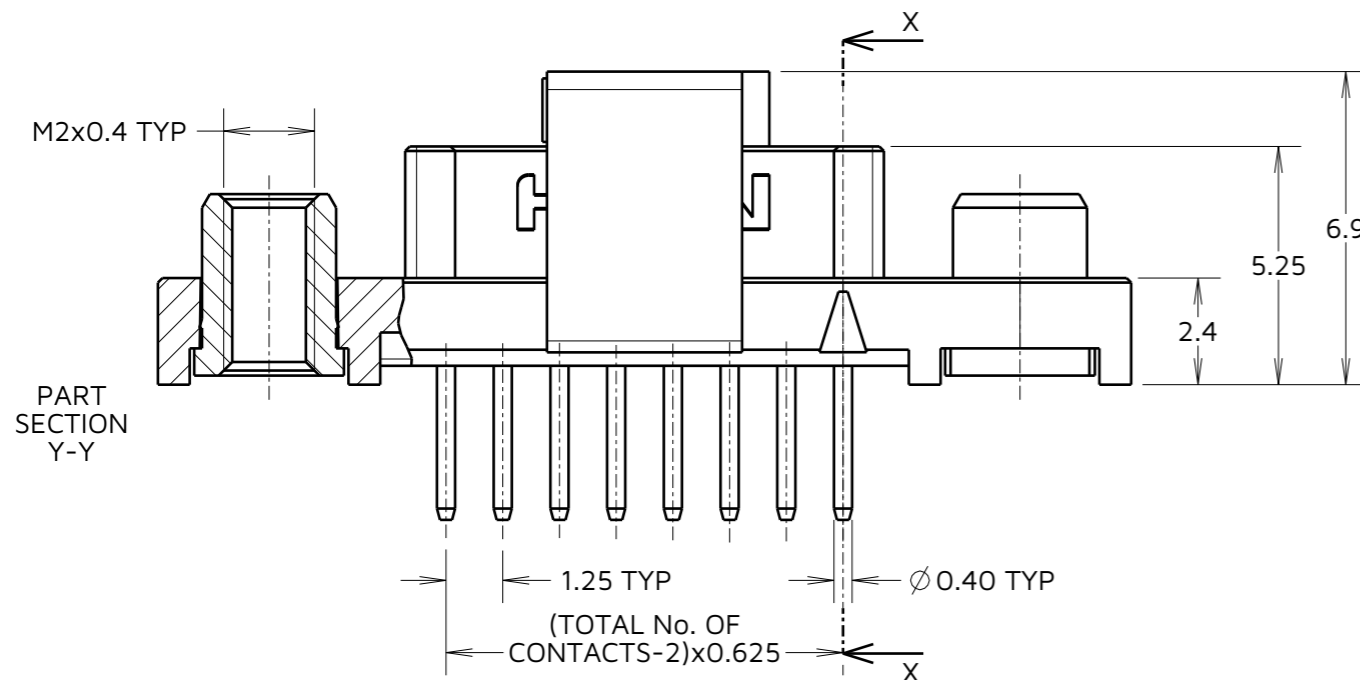
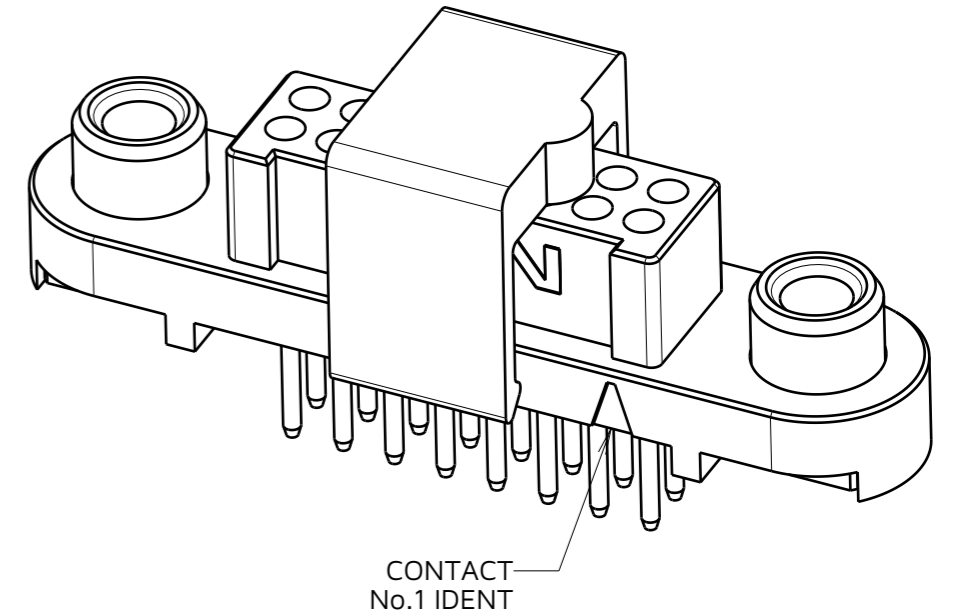
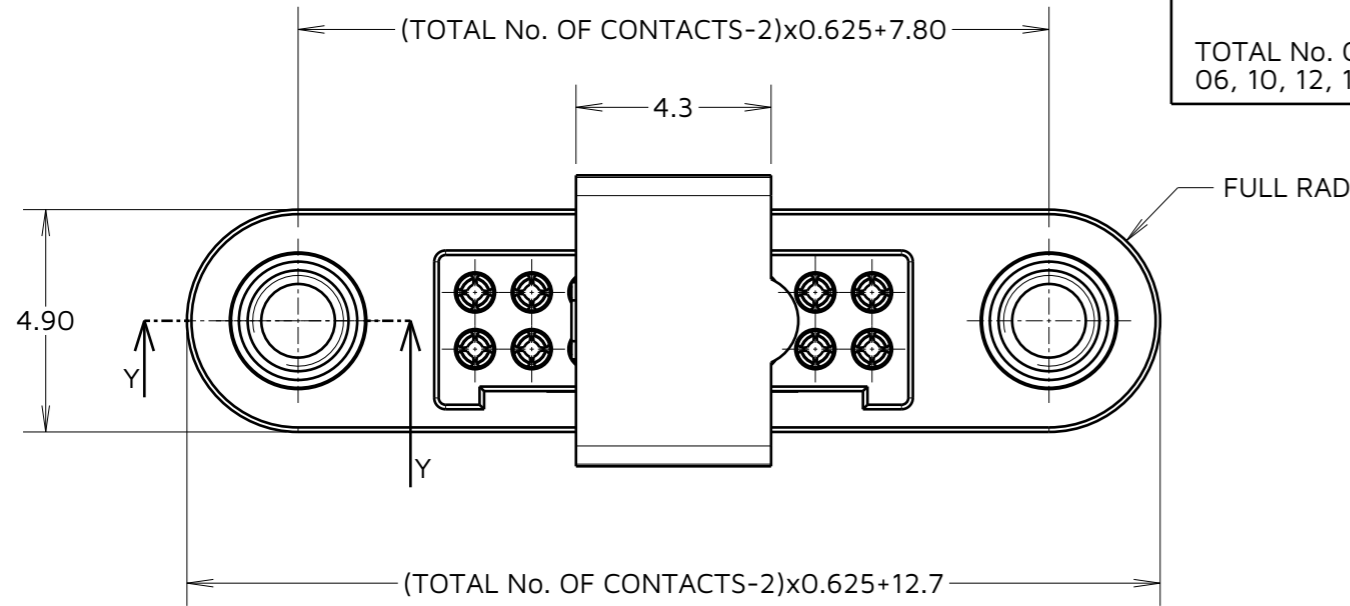
©

NOT TO SCALE

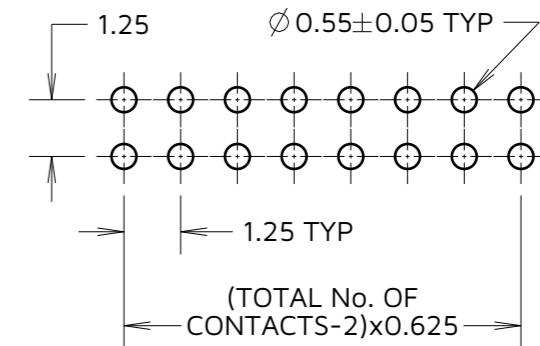
THIRD ANGLE PROJECTION

ALL DIMENSIONS IN mm

ORDER CODE:  
G125-FV1XX05F2P  
TOTAL No. OF CONTACTS:  
06, 10, 12, 16, 20, 26, 34 & 50.



RECOMMENDED PCB LAYOUT



CONNECTOR AND PCB LAYOUT DETAILS ONLY.  
SEE SHEET 5 FOR TAPE STRIP DETAILS.

NOTES:

- FOR MATERIALS, FINISH AND SPECIFICATIONS SEE COMPONENT SPECIFICATION C125XX (LATEST ISSUE) FOR FULL SPECIFICATION.
- DRAWING SHOWS CONNECTOR WITH 16 CONTACTS.

MGP	2	02.05.23	32485
NAME	ISS.	DATE	CN/CO
APPROVED: MGP			
CHECKED: MR			
DRAWN: MARK G PLESTED			
ASSEMBLY DRG:			

**HARWIN**

www.harwin.com

TOLERANCES  
X. =  $\pm 1$ mm  
X.X =  $\pm 0.50$ mm  
X.XX =  $\pm 0.20$ mm  
X.XXX =  $\pm 0.01$ mm  
ANGLES =  $\pm 5^\circ$   
UNLESS STATED

THIS DRAWING AND ANY INFORMATION OR DESCRIPTIVE MATTER SET OUT HEREON ARE CONFIDENTIAL AND COPYRIGHT PROPERTY OF THE HARWIN GROUP AND MUST NOT BE DISCLOSED, LOANED, COPIED OR USED FOR MANUFACTURING, TENDERING OR FOR ANY OTHER PURPOSE WITHOUT THEIR WRITTEN PERMISSION.

MATERIAL:

SEE ABOVE

TITLE:

GECKO-SL REVERSE FIX FEMALE VERT. PCT CONNECTOR IN TAPE

DRAWING NUMBER:

G125-FV1XX05F2P

SHT  
4 OF 5

# Customer Information Sheet

IF IN DOUBT - ASK

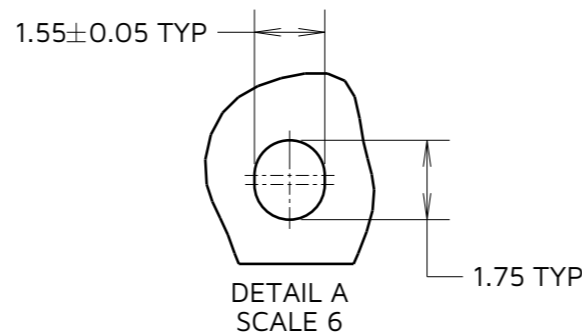
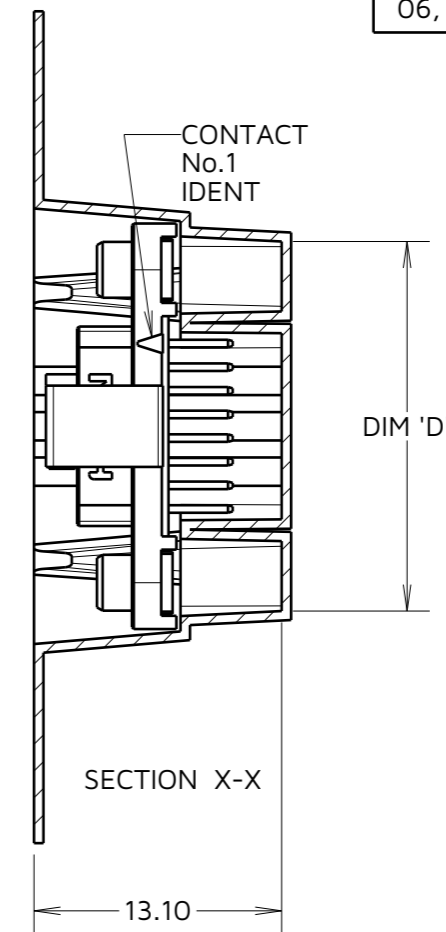
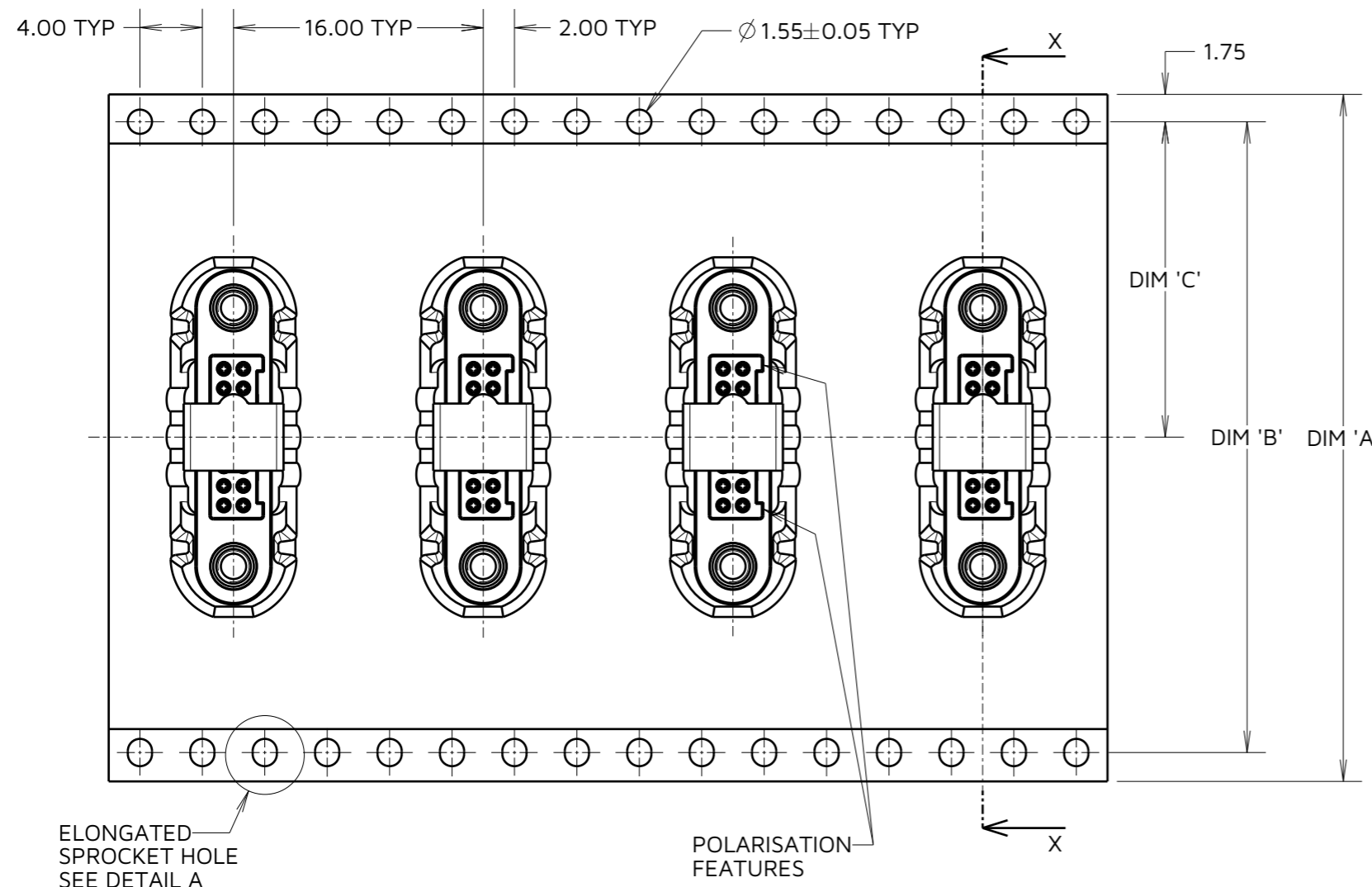
©

NOT TO SCALE

THIRD ANGLE PROJECTION

ALL DIMENSIONS IN mm

ORDER CODE:  
G125-FV1XX05F2P  
TOTAL No. OF CONTACTS:  
06, 10, 12, 16, 20, 26, 34 & 50.



TAPE STRIP DETAILS ONLY. SEE SHEET 4 FOR CONNECTOR AND PCB LAYOUT DETAILS.

NOTES CONT.:

3. COMPONENTS ARE ORIENTATED IN TAPE POCKETS AS SHOWN.
4. COMPONENTS ARE SUPPLIED IN STRIPS OF TAPE. SUPPLIED QUANTITY MAY CONSIST OF MORE THAN ONE STRIP. STRIP LENGTH MAY VARY.
5. LARGE QUANTITIES MAY BE SHIPPED ON A REEL AND MAY NOT HAVE A LEADER.
6. FOR PARTS ON REEL SUITABLE FOR AUTOMATIC MACHINE PLACEMENT PLEASE ORDER: G125-FV1XX05F2R.

PART No.	DIM 'A'	DIM 'B'	DIM 'C'	DIM 'D'
G125-FV10605F2P				13.60
G125-FV11005F2P	32.0±0.3	28.40	14.20	16.10
G125-FV11205F2P				17.35
G125-FV11605F2P				19.85
G125-FV12005F2P	44.0±0.3	40.40	20.20±0.15	22.20±0.15
G125-FV12605F2P				26.00±0.15
G125-FV13405F2P	56.0±0.3	52.40	26.20±0.15	30.90±0.15
G125-FV15005F2P				41.00±0.15

MGP	2	02.05.23	32485
NAME	ISS.	DATE	CN/CO
APPROVED: MGP			
CHECKED: MR			
DRAWN: MARK G PLESTED			
ASSEMBLY DRG:			

**HARWIN**

www.harwin.com

TOLERANCES  
X. = ±1mm  
X.X = ±0.50mm  
X.XX = ±0.20mm  
X.XXX = ±0.01mm  
ANGLES = ±5°  
UNLESS STATED

THIS DRAWING AND ANY INFORMATION OR DESCRIPTIVE MATTER SET OUT HEREON ARE CONFIDENTIAL AND COPYRIGHT PROPERTY OF THE HARWIN GROUP AND MUST NOT BE DISCLOSED, LOANED, COPIED OR USED FOR MANUFACTURING, TENDERING OR FOR ANY OTHER PURPOSE WITHOUT THEIR WRITTEN PERMISSION.

MATERIAL:

SEE ABOVE

TITLE:

GECKO-SL REVERSE FIX FEMALE VERT. PCT CONNECTOR IN TAPE

DRAWING NUMBER:

G125-FV1XX05F2P

SHT  
5  
OF  
5