

Ratings:

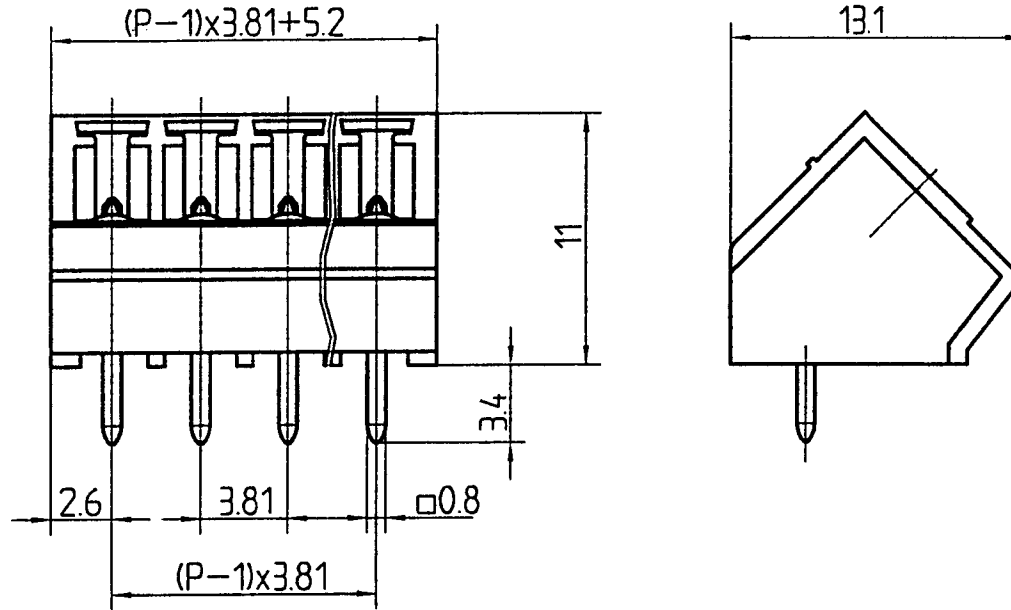
Current 8A
Voltage 300 VB

Dimensions:

Spacing 3.81mm
PCB Hole Diameter 1.2mm

Materials:

Insulating Material PA
Flammability UL94V-0
Temperature -30°C/+105°C
Contact Pin Cu
Color Green



Part Number
EDSTLZ1590/[*][*]
* - NUMBER OF POSITIONS

Units
mm

Drawing

Reviewed

Approved

Date
1/25/97
Sheet 1 of 1
Rev. A