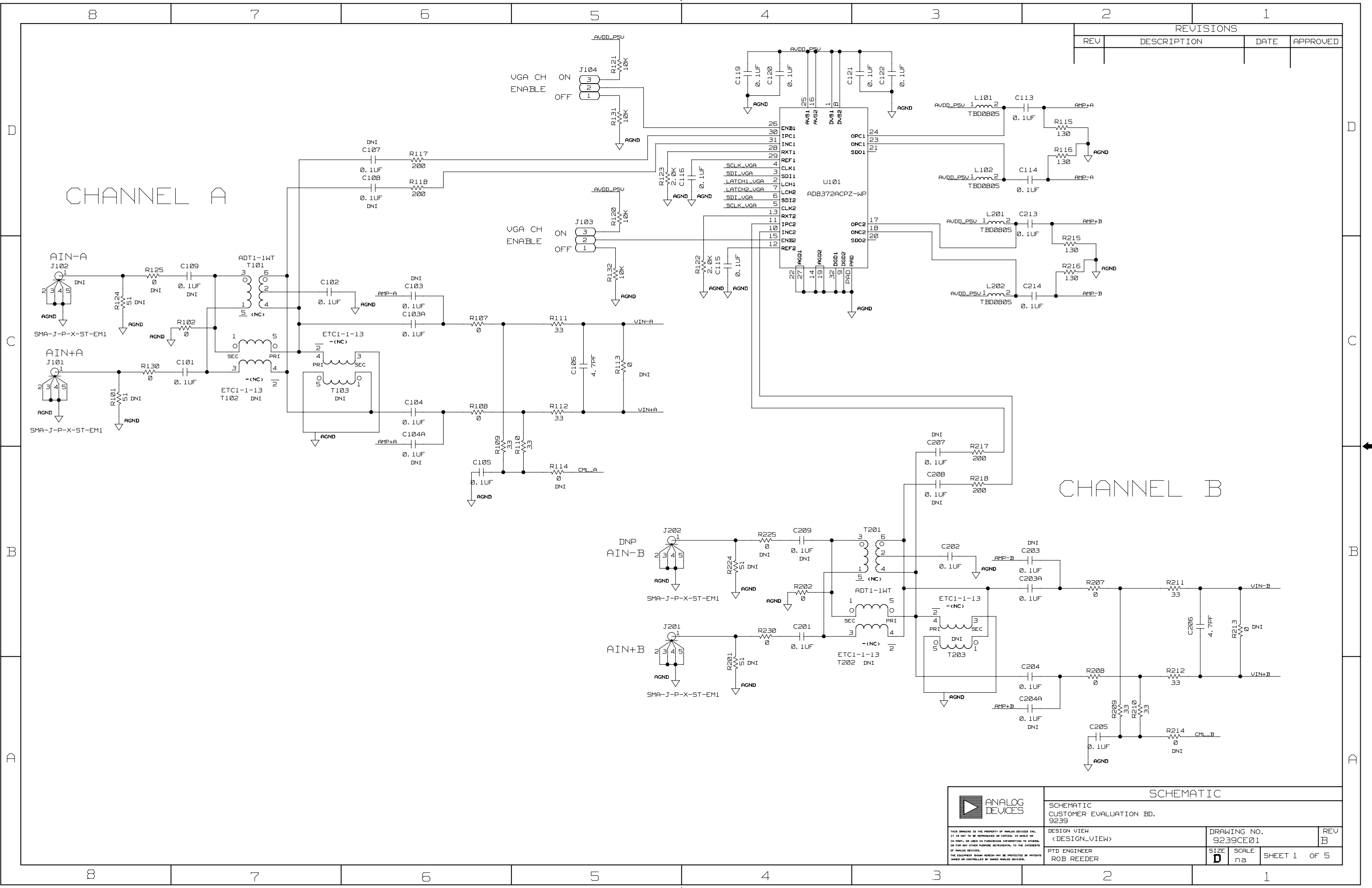
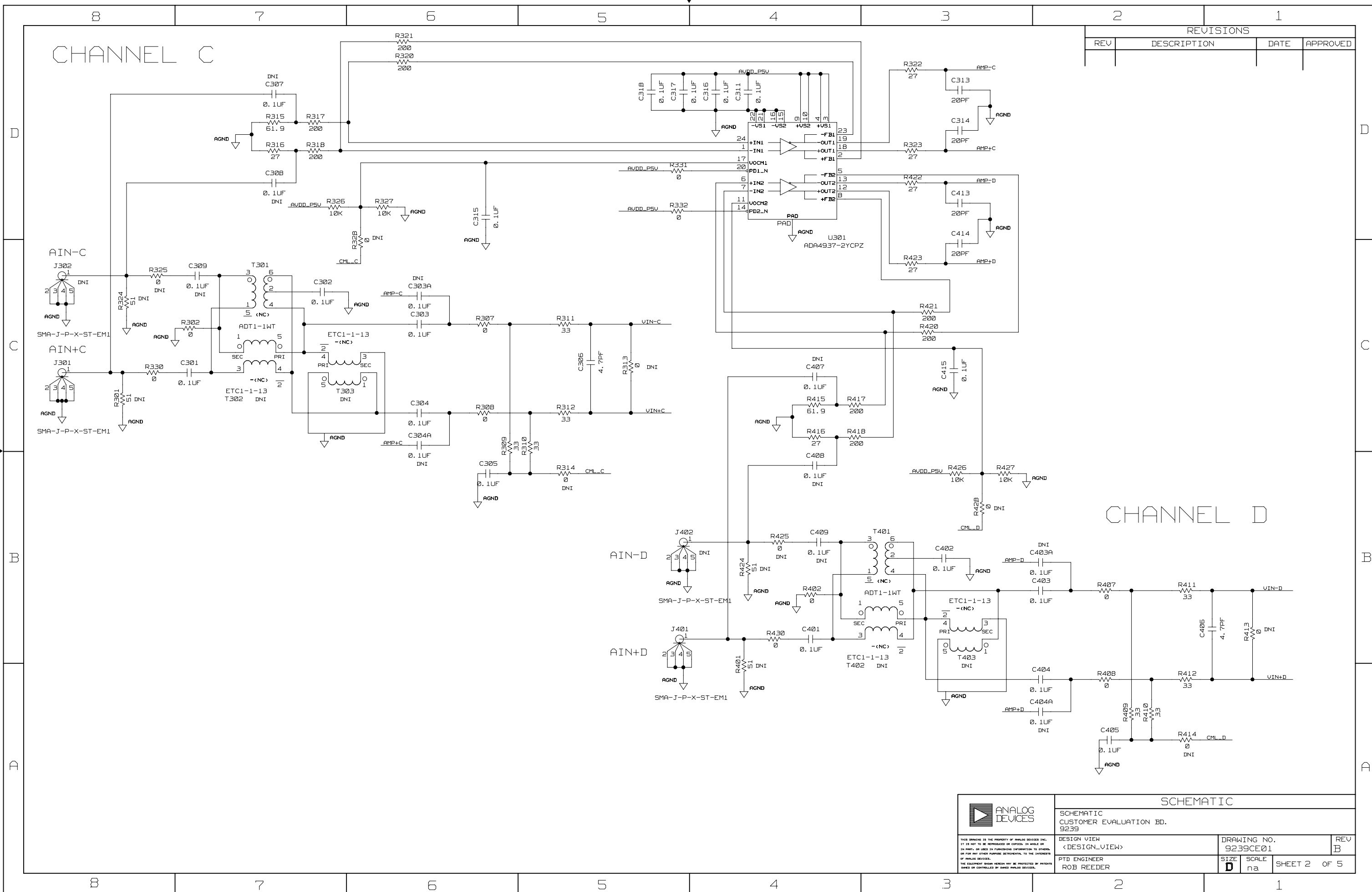


REVISIONS			
REV	DESCRIPTION	DATE	APPROVED



	SCHEMATIC		
	SCHEMATIC CUSTOMER EVALUATION BD. 9239		
	DESIGN VIEW <DESIGN_VIEW>	DRAWING NO. 9239CE01	REV B
	PTD ENGINEER ROB REEDER	SIZE D	SCALE na

THIS DRAWING IS THE PROPERTY OF ANALOG DEVICES INC. IT IS NOT TO BE REPRODUCED OR COPIED, IN WHOLE OR IN PART, OR USED TO FURNISH INFORMATION TO OTHERS, OR FOR ANY OTHER PURPOSES WITHOUT THE WRITTEN PERMISSION OF ANALOG DEVICES. THE EQUIPMENT DESIGN HEREIN MAY BE PROTECTED BY PATENTS OWNED OR CONTROLLED BY ANALOG DEVICES.



REVISIONS			
REV	DESCRIPTION	DATE	APPROVED

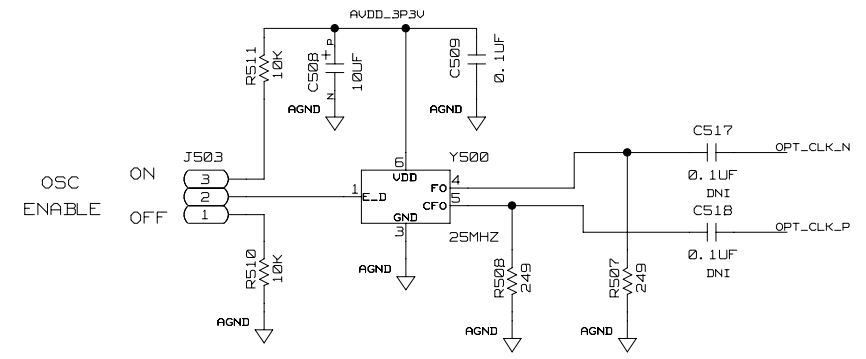
		SCHEMATIC	
		SCHEMATIC CUSTOMER EVALUATION BD. 9239	
DESIGN VIEW <DESIGN_VIEW>	DRAWING NO. 9239CE01	REV B	
PTD ENGINEER ROB REEDER	SIZE D	SCALE na	SHEET 2 OF 5

THIS DOCUMENT IS THE PROPERTY OF ANALOG DEVICES INC. IT IS NOT TO BE REPRODUCED OR COPIED, IN WHOLE OR IN PART, OR USED IN ANY MANNER TO REPRODUCE OR TRANSMIT INFORMATION TO OTHERS, OR FOR ANY OTHER PURPOSES WITHOUT THE WRITTEN PERMISSION OF ANALOG DEVICES. THE EQUIPMENT DESIGN HEREIN MAY BE PROTECTED BY PATENTS OWNED OR CONTROLLED BY ANALOG DEVICES.

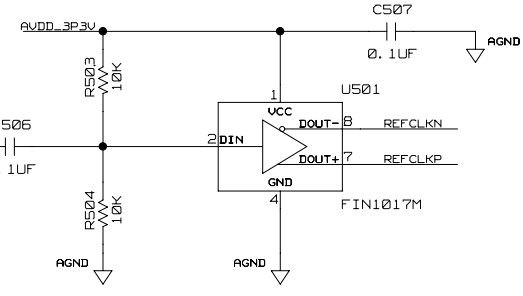
REVISIONS			
REV	DESCRIPTION	DATE	APPROVED

# CLOCK CIRCUITRY

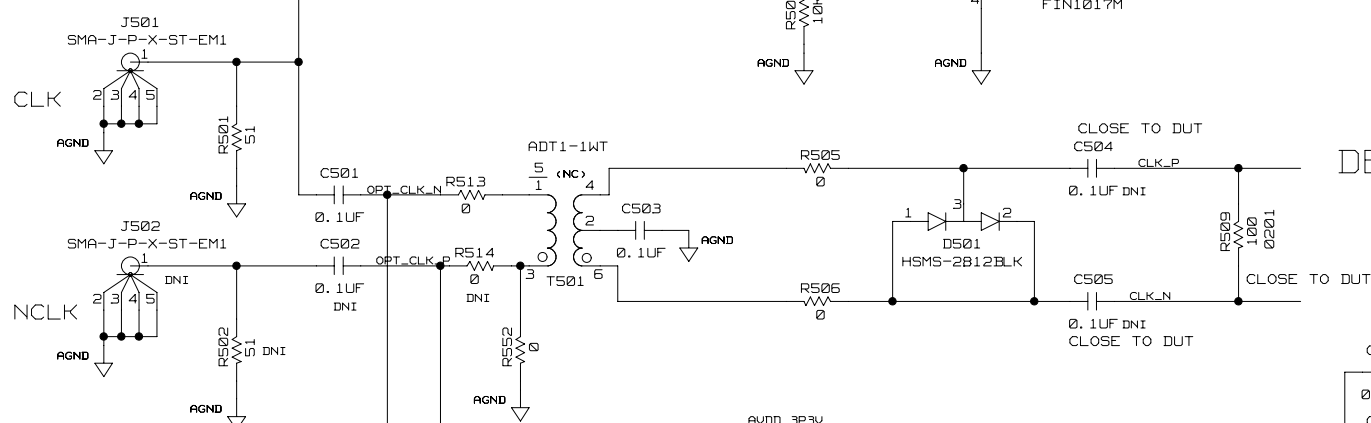
## OPTIONAL OSCILLATOR



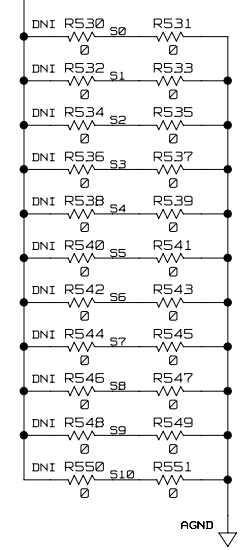
## REFERENCE CLOCK/FPGA



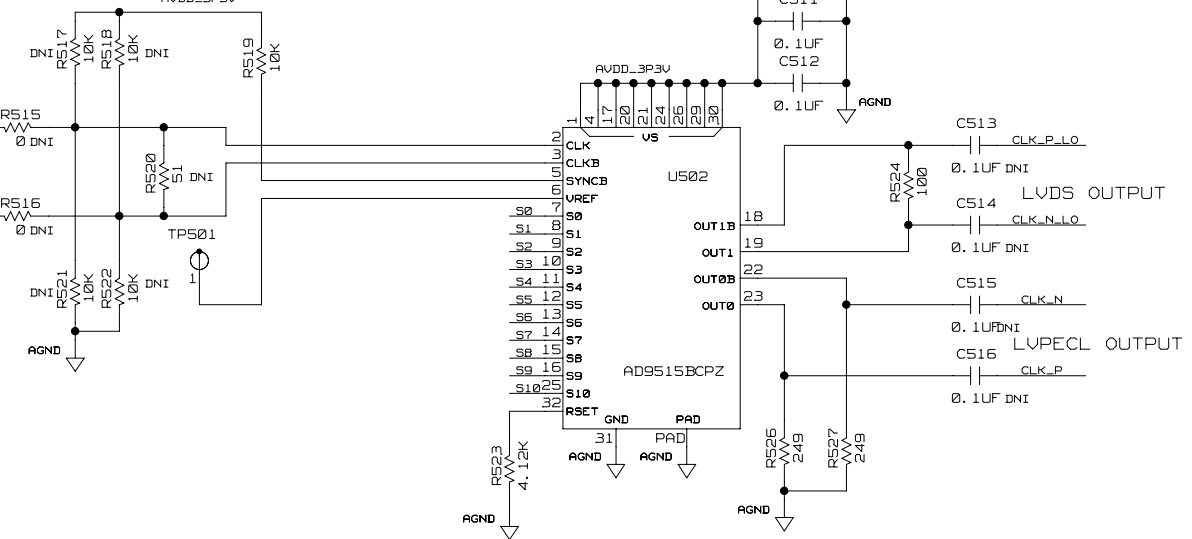
## DEFAULT CLOCK PATH



## AD9515 PIN-STRAP SETTINGS

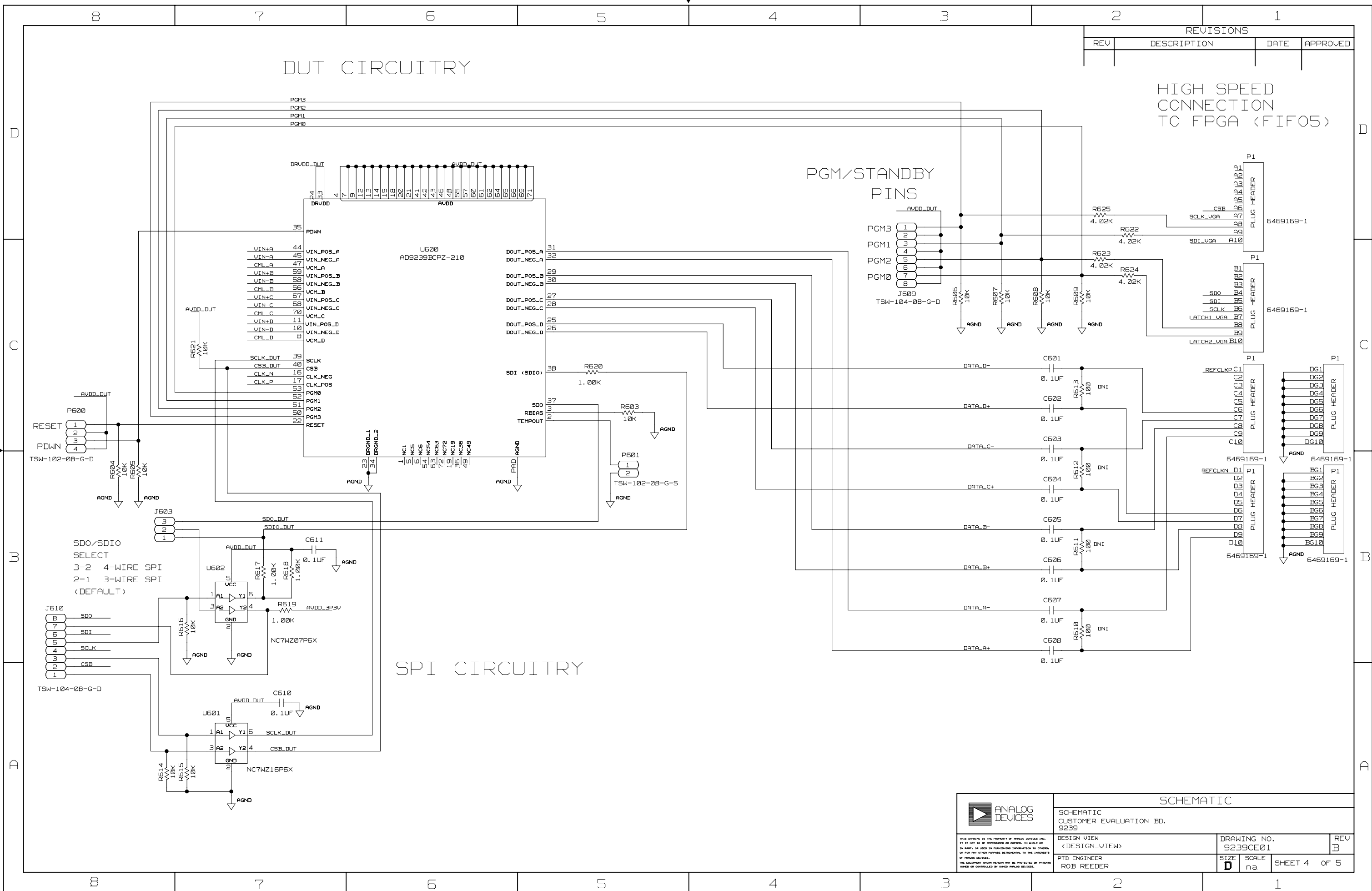


## OPTIONAL CLOCK PATH CIRCUIT



	SCHEMATIC		
	SCHEMATIC CUSTOMER EVALUATION BD. 9239		
	DESIGN VIEW <DESIGN_VIEW>	DRAWING NO. 9239CE01	REV B
	PTD ENGINEER ROB REEDER	SIZE D	SCALE na

THIS DRAWING IS THE PROPERTY OF ANALOG DEVICES INC. IT IS NOT TO BE REPRODUCED OR COPIED, IN WHOLE OR IN PART, OR USED IN ANY MANNER TO REPRODUCE OR TO CONVEY, OR FOR ANY OTHER PURPOSES, INFORMATION TO OTHERS, OR FOR ANY OTHER PURPOSES, WITHOUT THE WRITTEN PERMISSION OF ANALOG DEVICES. THE EQUIPMENT DESIGN HEREIN MAY BE PROTECTED BY PATENTS OWNED OR CONTROLLED BY ANALOG DEVICES.



REVISIONS			
REV	DESCRIPTION	DATE	APPROVED

HIGH SPEED CONNECTION TO FPGA (FIF05)

PGM/STANDBY PINS

SPI CIRCUITRY

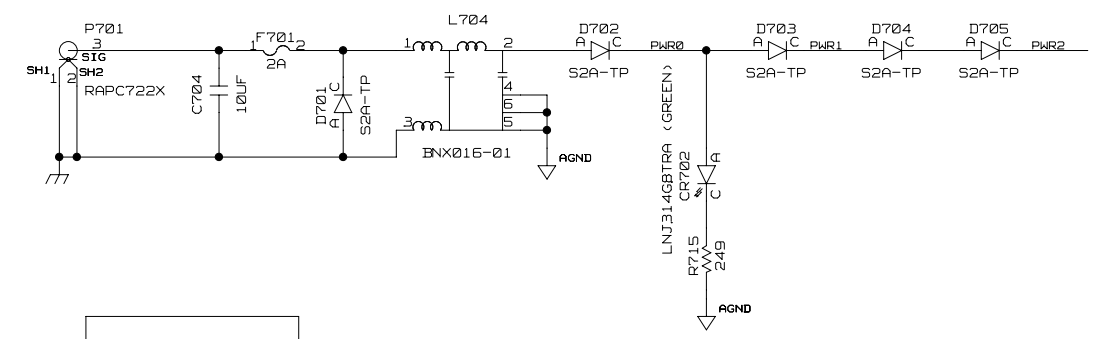
		SCHEMATIC	
		SCHEMATIC CUSTOMER EVALUATION BD. 9239	
DESIGN VIEW <DESIGN_VIEW>	DRAWING NO. 9239CE01	REV B	
PTD ENGINEER ROB REEDER	SIZE D	SCALE na	SHEET 4 OF 5

THIS DRAWING IS THE PROPERTY OF ANALOG DEVICES INC. IT IS NOT TO BE REPRODUCED OR COPIED, IN WHOLE OR IN PART, OR USED IN ANY MANNER WITHOUT THE WRITTEN PERMISSION OF ANALOG DEVICES. THE EQUIPMENT DESIGN HEREIN MAY BE PROTECTED BY PATENTS OWNED OR CONTROLLED BY ANALOG DEVICES.

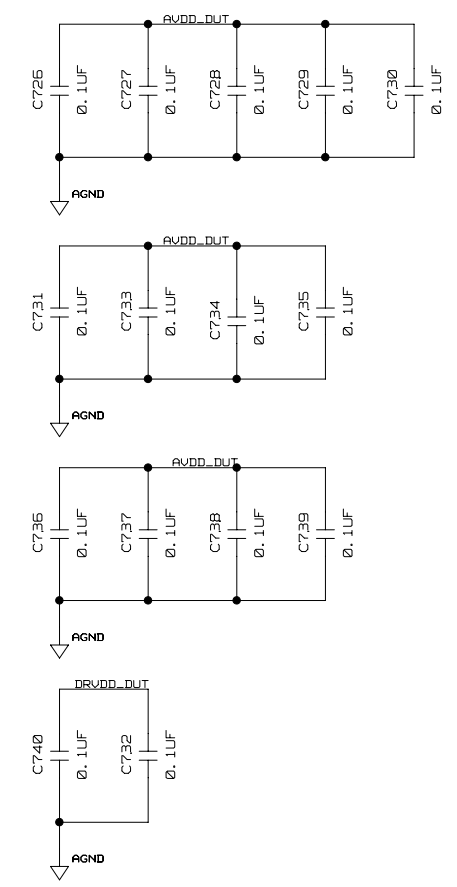
REVISIONS

REV	DESCRIPTION	DATE	APPROVED

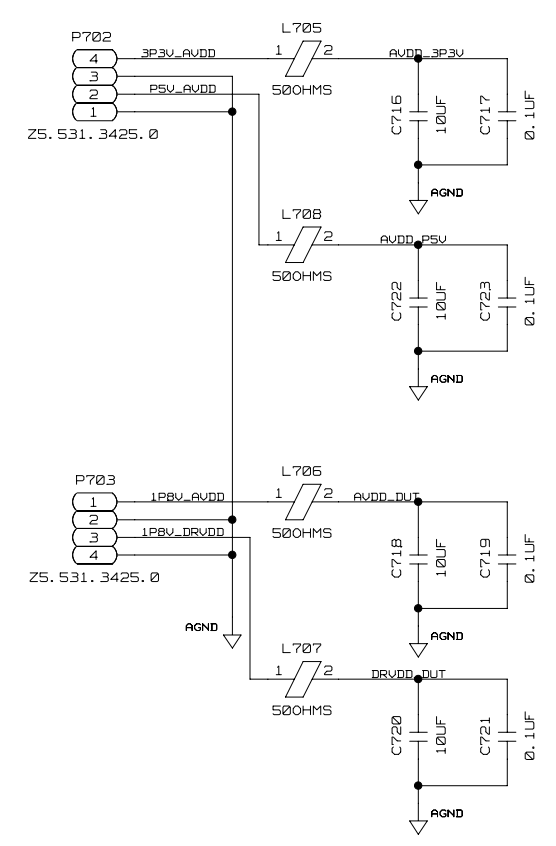
WALWART POWER SUPPLY INPUT  
6VDC, 2A MAX



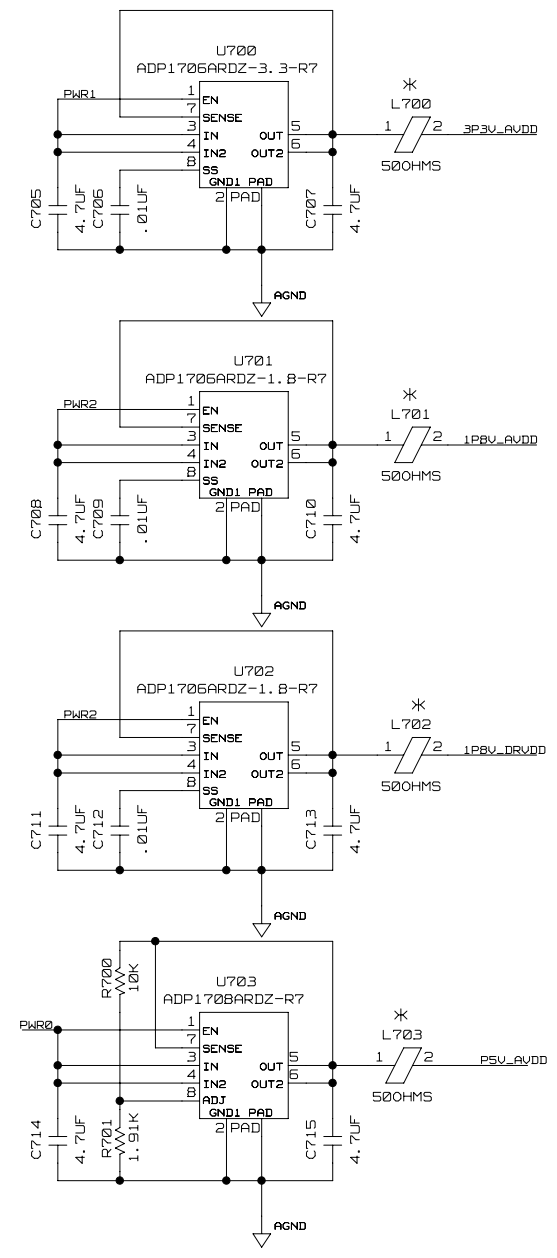
DECOUPLING CAPS



OPTIONAL POWER CONNECTIONS



\*NOTE: WHEN USING P702 OR P703 WITH RAW BENCH POWER SUPPLIES REMOVE L700/L701/L702/L703



	SCHEMATIC		
	SCHEMATIC CUSTOMER EVALUATION BD. 9239		
	DESIGN VIEW <DESIGN_VIEW>	DRAWING NO. 9239CE01	REV B
	PTD ENGINEER ROB REEDER	SIZE D	SCALE na

THIS DRAWING IS THE PROPERTY OF ANALOG DEVICES INC. IT IS NOT TO BE REPRODUCED OR COPIED, IN WHOLE OR IN PART, OR USED IN ANY MANNER WITHOUT THE WRITTEN PERMISSION OF ANALOG DEVICES. THE EQUIPMENT DESIGN HEREIN MAY BE PROTECTED BY PATENTS OWNED OR CONTROLLED BY ANALOG DEVICES.