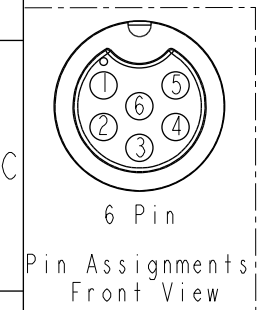
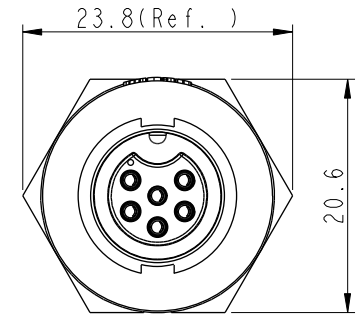
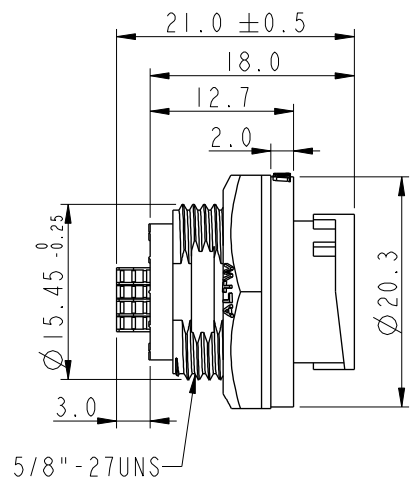
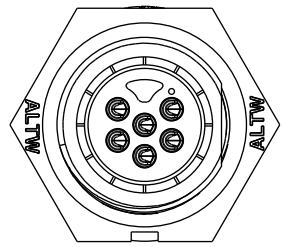
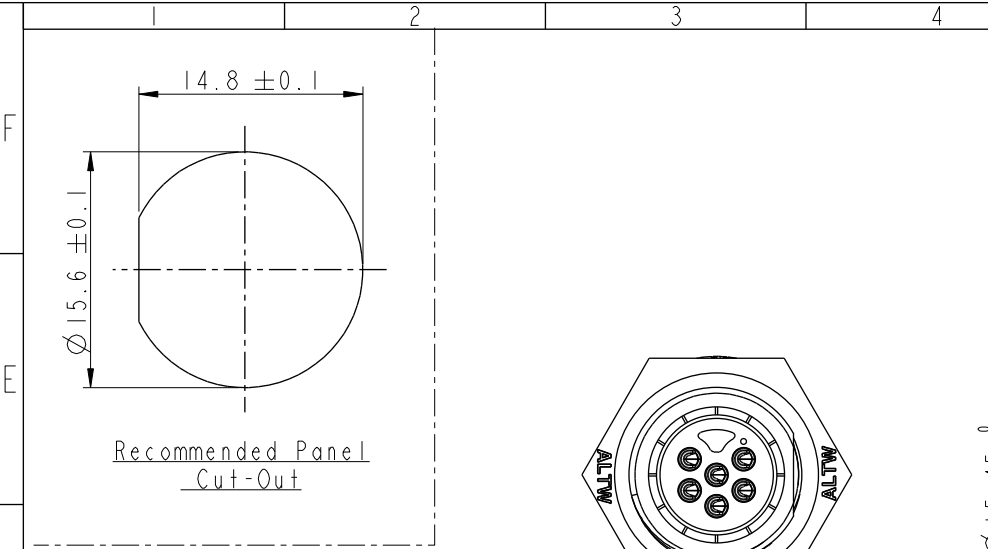


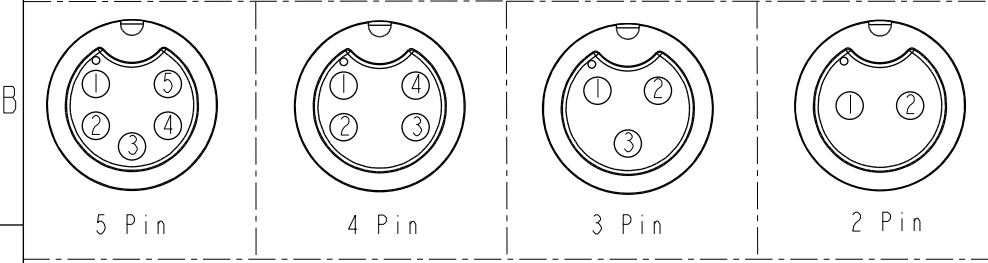
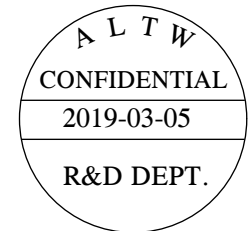
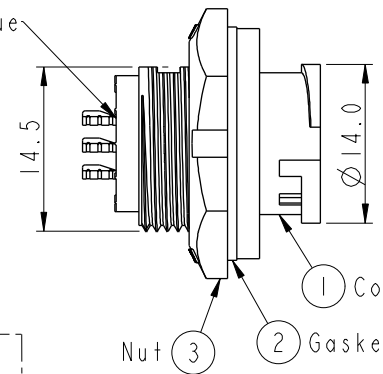
THIS DOCUMENT IS SUBJECT TO CHANGE WITHOUT NOTICE. IT IS CONFIDENTIAL AND A PROPERTY OF AMPHENOL LTW. DISCLOSURE TO THIRD PARTY HAS TO BE AUTHORIZED BY AMPHENOL LTW.

REV.	ECN NO.	DATE	SIGN	DESCRIPTION
B	C190346	2019/03/05	Vicky	Change Note



ABD-XXRMFS-LC7001
02:2Pin
06:6Pin

With Liquid Glue



- Note:**
- * (QC) Important Dimension To Check.
 - * Waterproof Rate: IP67, Unmated.
 - * Housing: Thermoplastic, Black.
 - * Pin: Copper Alloy, Gold Plated.
 - * Gasket: Rubber, Gray.
 - * Nut: Thermoplastic, Black.
 - * Maximum Panel Thickness: 3.5mm
 - * Gasket and Nut are packed separately in PE bags. (Gasket/Nut不組裝·散裝出貨)

UNIT:mm		TITLE STANDARD PANEL LOCK M CONN F PIN			
TOLERANCE	.X ±0.25	SCALE	2:1	SIZE	A4
.XX ±0.1	.XXX ±0.05	REV.	B	WC-REV.	A.3
ANGLES	±1°	SHEET 1 OF 1			
		QC: Inspection item			

Amphenol LTW
安費諾亮泰企業股份有限公司

ITEM NO	DRAWN BY	DATE
DWG NO	CHECKED BY	DATE
CUSTOMER	APPROVED BY	DATE
ALTW	Vicky	2019-03-05
	Rita	2019-03-05
	Max	2019-03-05