



Electrical specifications

Center Frequency: 2410 MHz
Bandwidth(-3 dB): 73 MHz
Insertion loss: <1.1 dB(0.9 dB typ)
Return loss: 15 dB@(-18 dB typ)
30 dB BW: <106 MHz(Fc+/-53 MHz)
60 dB BW: <150 MHz(Fc+/-75 MHz)
Harmonic rejection: >80 dB(90 dB typ)
Impedance: 50 Ohm
Power handling: 50 Watts
Max power: 100 Watts

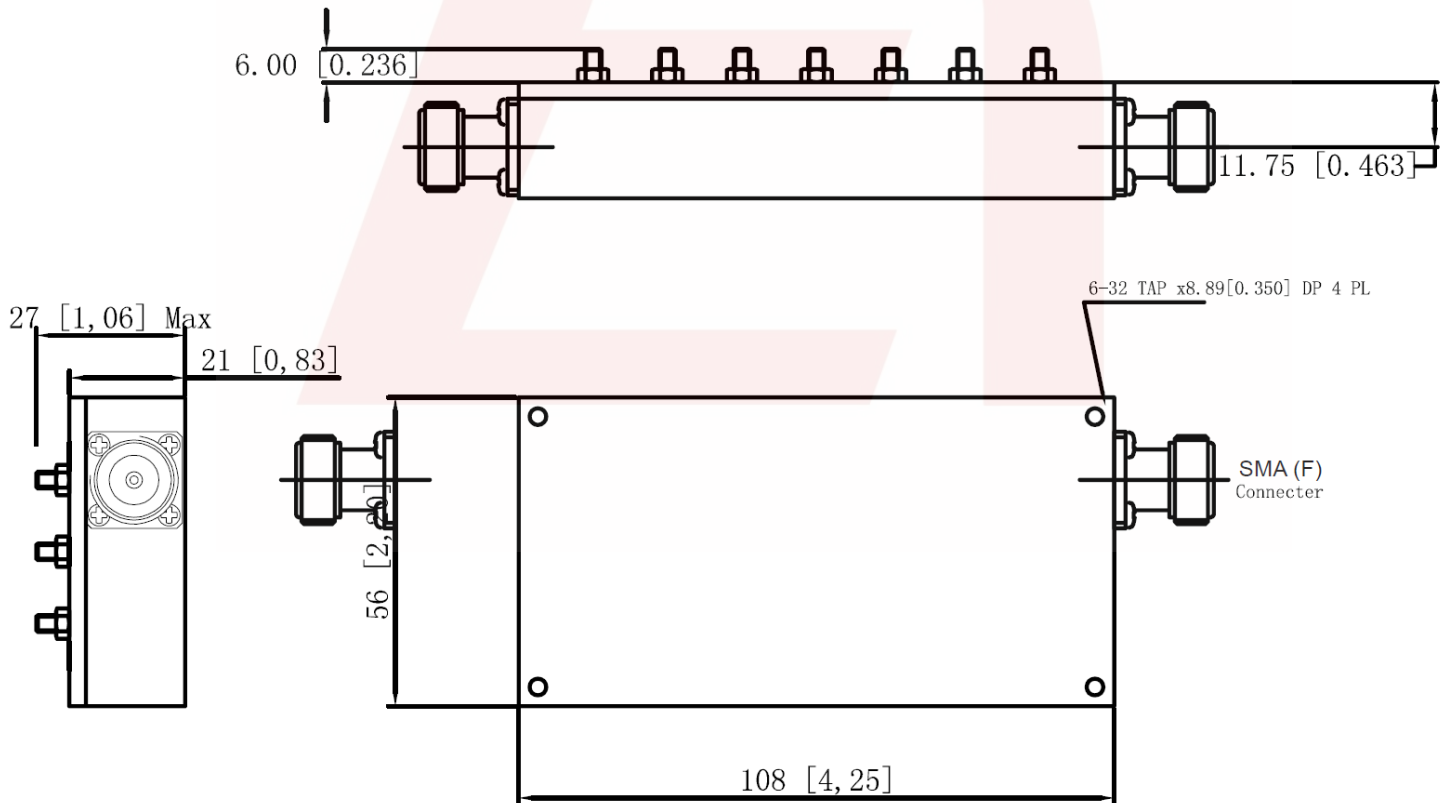
Mechanical

Mounting Method: Threaded Mounting Holes
Connector Type: SMA Female
Dimensions: 4.30" x 2.20" x 0.80" in

Environmental

Operating Temperature: -45 to +85° C
Storage Temperature: -55 to +95° C
Shock: 20 G. 11ms
Vibration: 20 G. 5 to 200 Hz

Outline Drawing:





Plot:

