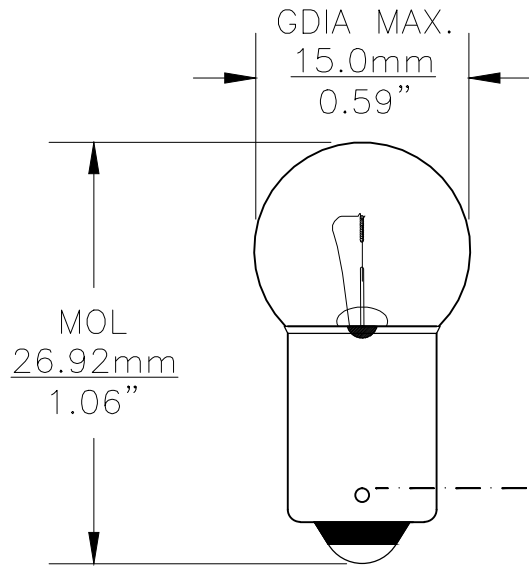
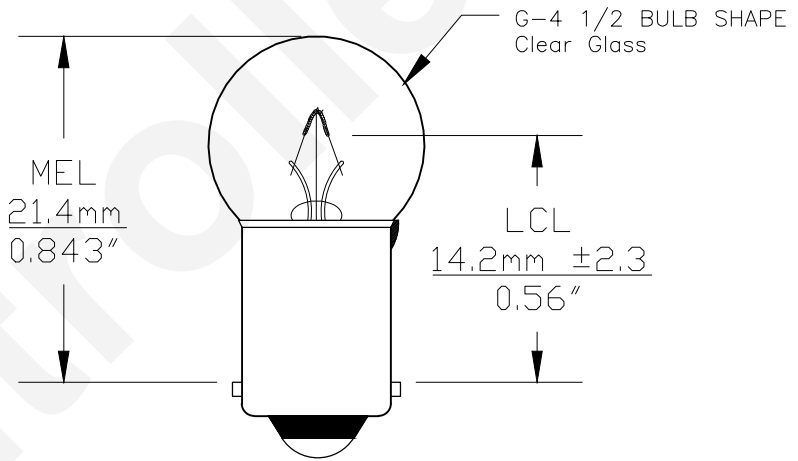




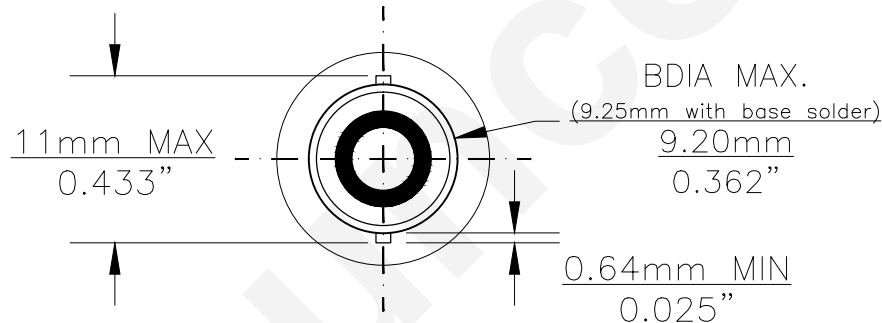
PART NO.	BASE TYPE	DESIGN VOLTS	DESIGN AMPS	MSCD	FILAMENT TYPE	AVERAGE LIFE HOURS	REVISIONS			
							REV #	DESCRIPTION	DATE	APPROVED
57	MINIATURE BAYONET (BA9s)	14.0V	0.24±10%	2.0±20%	C-2V	500	1	ISSUED	04/13/2001	E.S.
							2	REDRAWN	12/21/2005	D.C.



0° VIEW



90° VIEW



BASE BOTTOM VIEW



Note: Made according to SAE specifications

UNLESS OTHERWISE SPECIFIED: DIMENSIONS ARE IN INCHES TOLERANCES		CEC INDUSTRIES LTD			
DECIMALS	ANGULAR	599 BOND STREET		LINCOLNSHIRE, IL 60069	
.XX ± .05	± 0.5°				
.XXX ± .010					
FRACTIONAL	± 1/64				
DRAWN	DATE	TITLE			
ELIZABETH SONANES	04/13/2001	LIGHT BULB NO. 57			
CHECKED		SIZE	FSCM NO.	DWG NO.	REV
		A		57	2
DESIGN		SCALE	PLOT SCALE	SHEET 1 OF 1	
MATERIAL		FILE	DRAWING NOT TO SCALE		
		57.pdf			