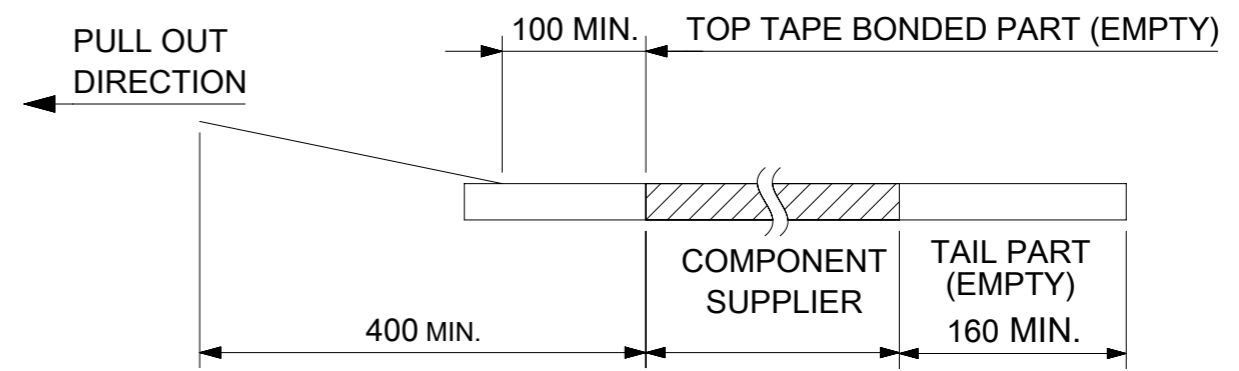
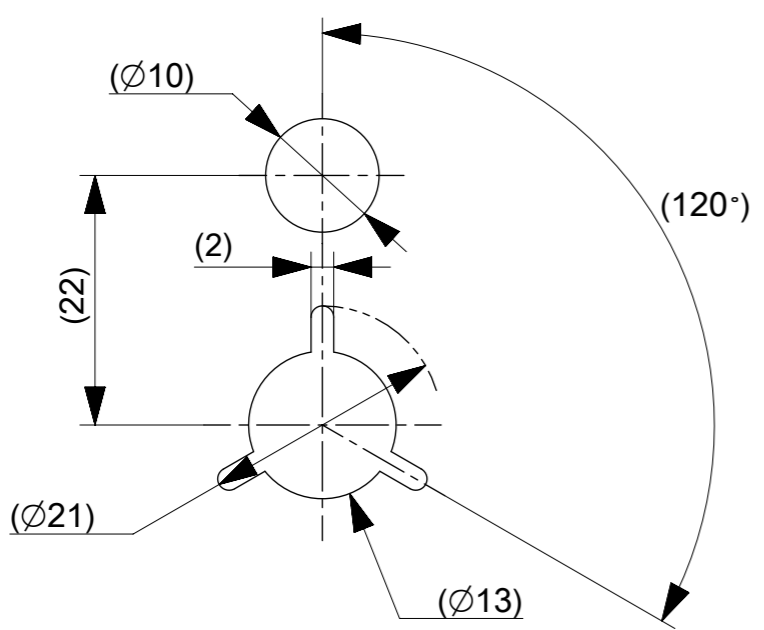


- NOTES
1. FOR DIMENSION OF PRODUCT, REFER TO PRODUCT DRAWING.
 2. NUMBER OF CONNECTORS : 7000 PCS/REEL
 3. LEAD TAPE LENGTH



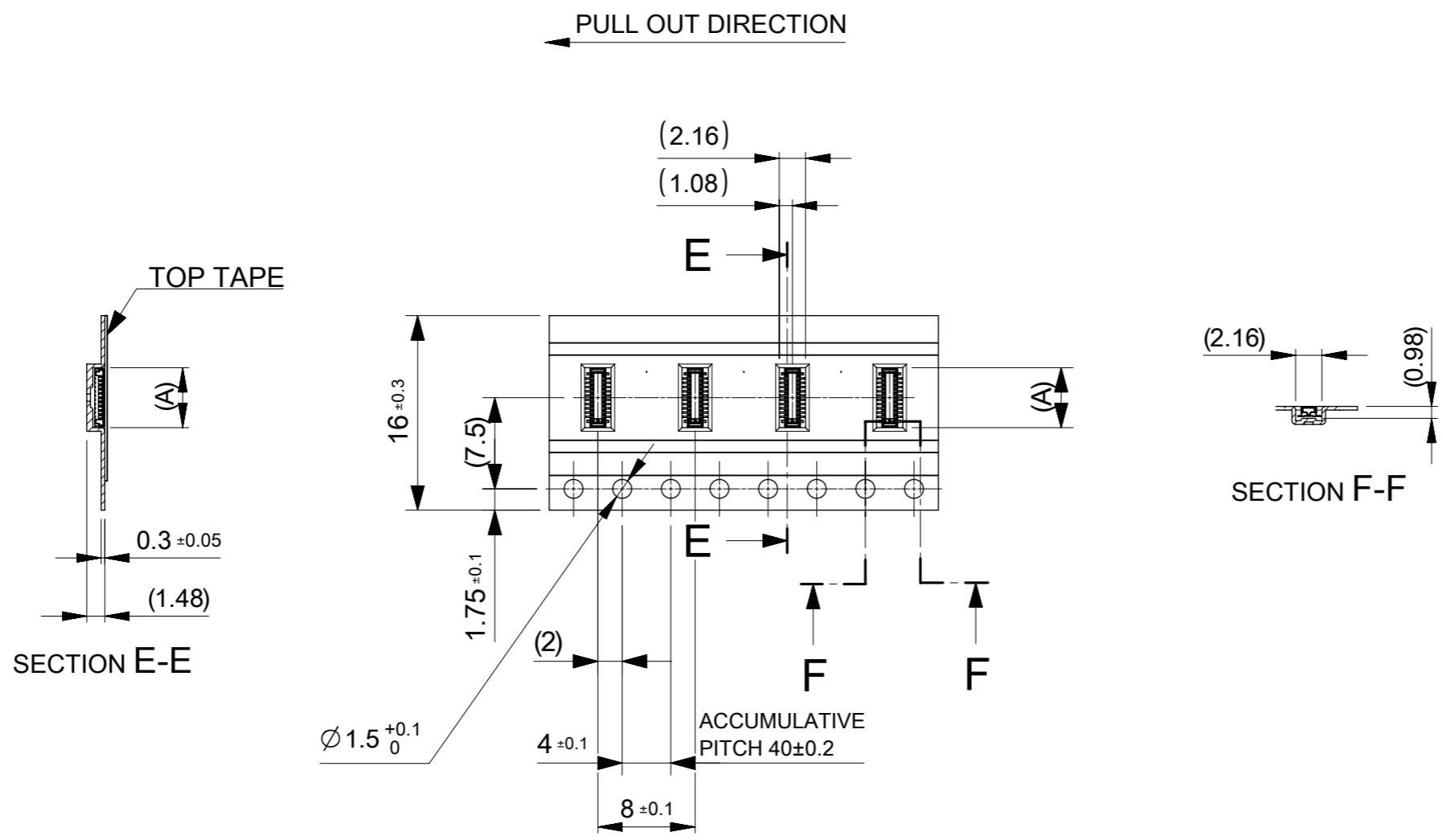
4. TOP TAPE PEEL FORCE IS DEFINED BY IEC60286-3.
5. MATERIAL
 CARRIER TAPE : POLYSTYRENE
 TOP TAPE : PET , OTHER
 REEL : POLYSTYRENE (PS) < RECYCLE MATERIAL CONTAINED >



DETAIL "D"

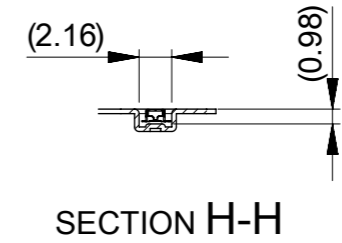
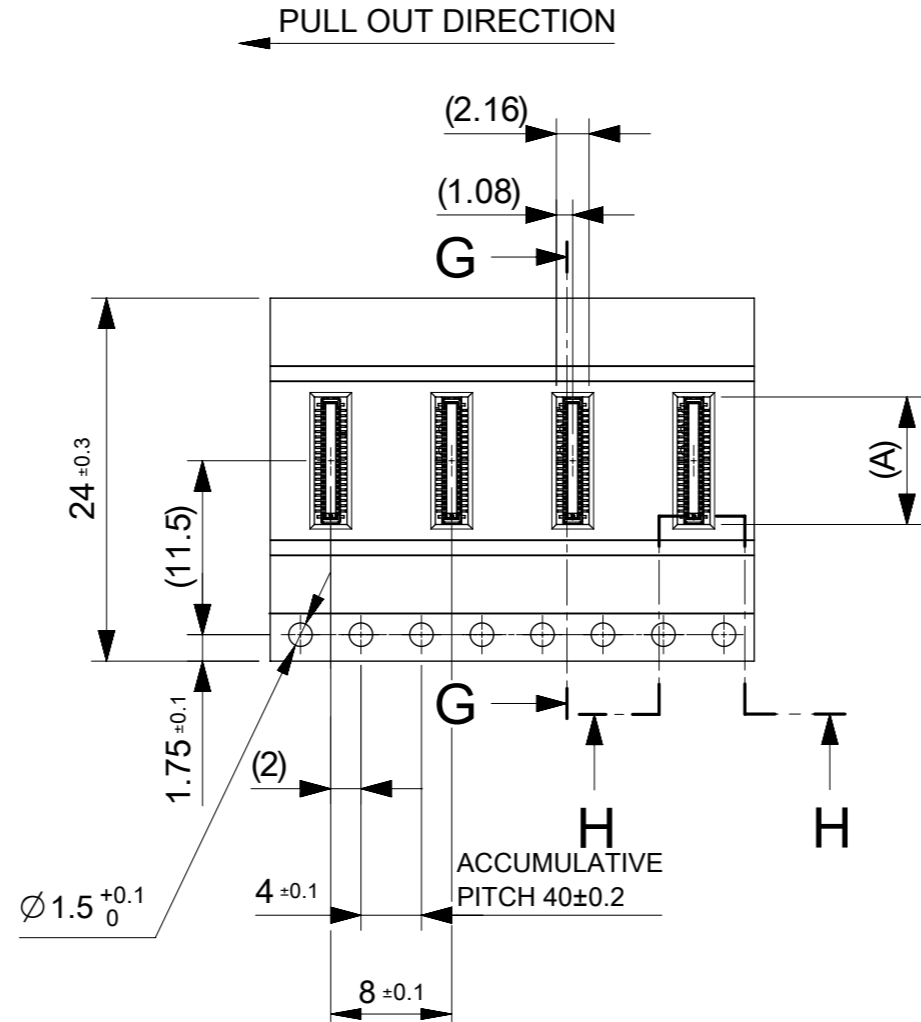
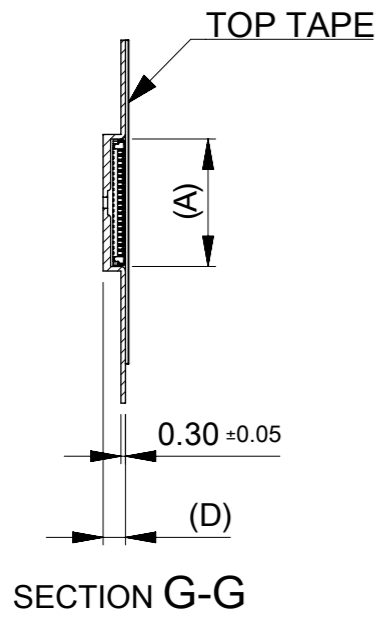
CONNECTOR SERIES NO. 505417**09

THIS DRAWING CONTAINS INFORMATION THAT IS PROPRIETARY TO MOLEX ELECTRONIC TECHNOLOGIES, LLC AND SHOULD NOT BE USED WITHOUT WRITTEN PERMISSION													
DIMENSION UNITS		SCALE		CURRENT REV DESC:				molex					
mm		NTS											
GENERAL TOLERANCES (UNLESS SPECIFIED)				EC NO: 733067 DRWN: NASIMO 2022/12/21 CHK'D: YKOBAYASHI02 2022/12/22 APPR: KSASAKI 2022/12/23 INITIAL REVISION: DRWN: NNAKAZAWA 2016/03/16 APPR: KMORIKAWA 2016/04/26				0.35 BB H=1.0 SSB10RP PLUG EMBSTP PKG					
ANGULAR TOL ± 3.0 °								PRODUCT CUSTOMER DRAWING					
4 PLACES ± 0.03		3 PLACES ± 0.03						DOCUMENT NUMBER		DOC TYPE		DOC PART	
2 PLACES ± 0.05		1 PLACE ± 0.1						5054170000		PSD		000	
0 PLACES ± 0.2		DRAFT WHERE APPLICABLE MUST REMAIN WITHIN DIMENSIONS						THIRD ANGLE PROJECTION		DRAWING		SERIES	
				A3-SIZE		505417		MATERIAL NUMBER					
						SEE CHART		CUSTOMER					
						GENERAL		SHEET NUMBER					
						1 OF 3							



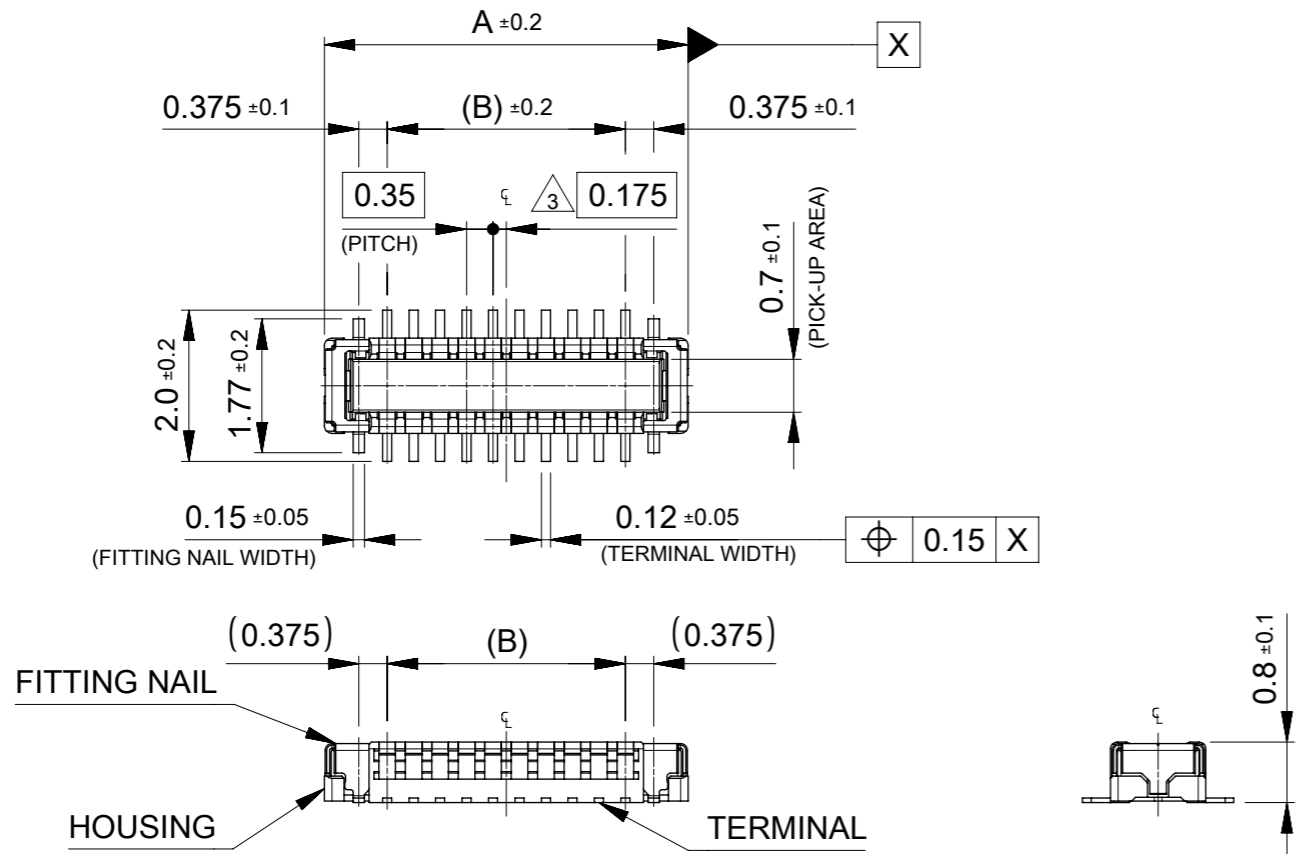
16	21.4	17.4	6.68	5054173010	○	---	30
			4.23	5054171610	○	---	16
			3.88	5054171410	○	---	14
			2.43	5054170610	○	---	6
キャリアテープ幅 CARRIER TAPE WIDTH	C	B	(A)	EMBOSSED TAPE PACKAGE	HIGH VOL. TOOL	LOW VOL. TOOL	CIRCUIT
ORDER NO.	SAMPLE PREPARATION ○:TOOLED △:WOOK IN PROCESS ---:TOOLING TO BE CONFIRMED						

THIS DRAWING CONTAINS INFORMATION THAT IS PROPRIETARY TO MOLEX ELECTRONIC TECHNOLOGIES, LLC AND SHOULD NOT BE USED WITHOUT WRITTEN PERMISSION													
DIMENSION UNITS mm		SCALE NTS		CURRENT REV DESC:									
GENERAL TOLERANCES (UNLESS SPECIFIED)				<p style="text-align: center; font-size: 2em; font-weight: bold;">molex</p> <p style="text-align: center;">0.35 BB H=1.0 SSB10RP PLUG EMBSTP PKG</p> <p style="text-align: center;">PRODUCT CUSTOMER DRAWING</p>									
ANGULAR TOL ± 3.0 °		4 PLACES ± 0.03								EC NO: 733067		2022/12/21	
3 PLACES ± 0.03		2 PLACES ± 0.05								DRWN: NASIMO		2022/12/22	
2 PLACES ± 0.05		1 PLACE ± 0.1								CHK'D: YKOBAYASHI02		2022/12/23	
1 PLACE ± 0.1		0 PLACES ± 0.2								APPR: KSASAKI		2022/12/23	
DRAFT WHERE APPLICABLE MUST REMAIN WITHIN DIMENSIONS				THIRD ANGLE PROJECTION		DRAWING A3-SIZE		SERIES 505417					
DOCUMENT NUMBER 5054170000				CUSTOMER GENERAL		DOC TYPE PSD		DOC PART 000					
REVISION J				SHEET NUMBER 2 OF 3		MATERIAL NUMBER SEE CHART		CUSTOMER GENERAL					



24	1.48	29.4	25.4	11.93	5054176010	○	---	60
	1.41			8.43	5054174010	○	---	40
	1.48			7.38	5054173410	○	---	34
キャリアテープ幅 CARRIER TAPE WIDTH	(D)	C	B	(A)	EMBOSSED TAPE PACKAGE	HIGH VOL. TOOL	LOW VOL. TOOL	CIRCUIT
				ORDER NO.	SAMPLE PREPARATION ○:TOOLED △:WOOK IN PROCESS ---:TOOLING TO BE CONFIRMED			

THIS DRAWING CONTAINS INFORMATION THAT IS PROPRIETARY TO MOLEX ELECTRONIC TECHNOLOGIES, LLC AND SHOULD NOT BE USED WITHOUT WRITTEN PERMISSION										
DIMENSION UNITS		SCALE		CURRENT REV DESC:						
mm		NTS		<p style="text-align: center;">molex</p> <p style="text-align: center;">0.35 BB H=1.0 SSB10RP PLUG EMBSTP PKG</p> <p style="text-align: center;">PRODUCT CUSTOMER DRAWING</p>						
GENERAL TOLERANCES (UNLESS SPECIFIED)										
ANGULAR TOL ± 3.0 °										
4 PLACES ± 0.03		EC NO: 733067								
3 PLACES ± 0.03		DRWN: NASIMO 2022/12/21								
2 PLACES ± 0.05		CHK'D: YKOBAYASHI02 2022/12/22								
1 PLACE ± 0.1		APPR: KSASAKI 2022/12/23		INITIAL REVISION:		DOCUMENT NUMBER		DOC TYPE	DOC PART	REVISION
0 PLACES ± 0.2		DRWN: NNAKAZAWA 2016/03/16		APPR: KMORIKAWA 2016/04/26		5054170000		PSD	000	J
DRAFT WHERE APPLICABLE MUST REMAIN WITHIN DIMENSIONS		THIRD ANGLE PROJECTION		DRAWING	SERIES	MATERIAL NUMBER	CUSTOMER		SHEET NUMBER	
				A3-SIZE	505417	SEE CHART	GENERAL		3 OF 3	



14.76	14.16	11.90	13.56	5054177010	---	---	70
13.71	13.11	10.85	12.51	5054176410	---	---	64
13.01	12.41	10.15	11.81	5054176010	○	---	60
11.96	11.36	9.10	10.76	5054175410	---	---	54
11.26	10.66	8.40	10.06	5054175010	---	---	50
10.91	10.31	8.05	9.71	5054174810	---	---	48
10.56	9.96	7.70	9.36	5054174610	---	---	46
9.86	9.26	7.00	8.66	5054174210	---	---	42
9.51	8.91	6.65	8.31	5054174010	○	---	40
8.46	7.86	5.60	7.26	5054173410	○	---	34
7.76	7.16	4.90	6.56	5054173010	○	---	30
6.71	6.11	3.85	5.51	5054172410	---	---	24
6.36	5.76	3.50	5.16	5054172210	---	---	22
6.01	5.41	3.15	4.81	5054172010	---	---	20
5.66	5.06	2.80	4.46	5054171810	---	---	18
5.31	4.71	2.45	4.11	5054171610	○	---	16
4.96	4.36	2.10	3.76	5054171410	○	---	14
4.61	4.01	1.75	3.41	5054171210	---	---	12
4.26	3.66	1.40	3.06	5054171010	---	---	10
3.56	2.96	0.70	2.36	5054170610	○	---	6

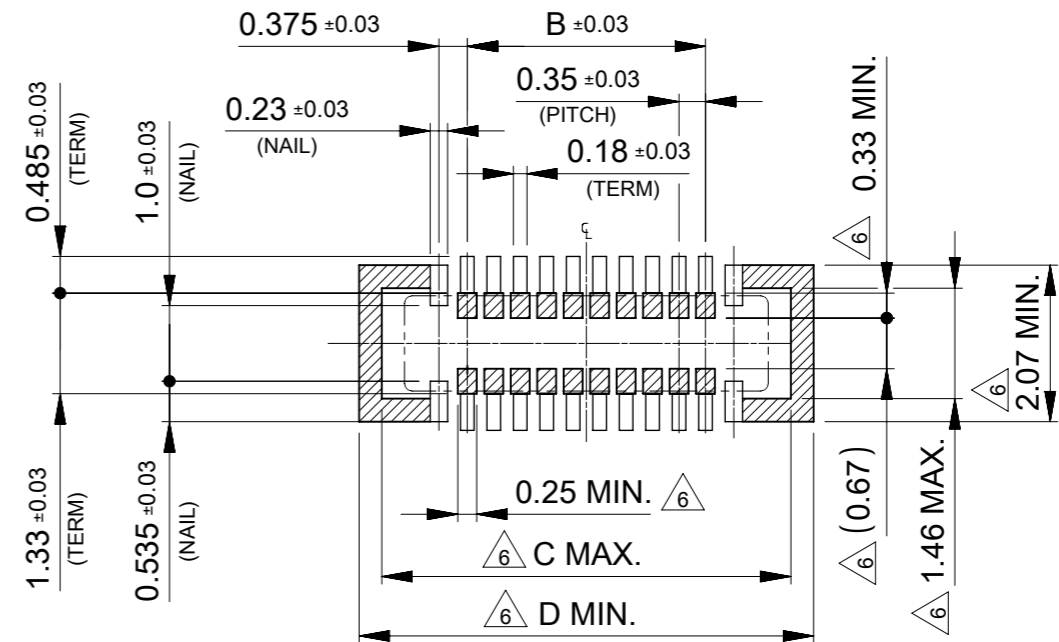
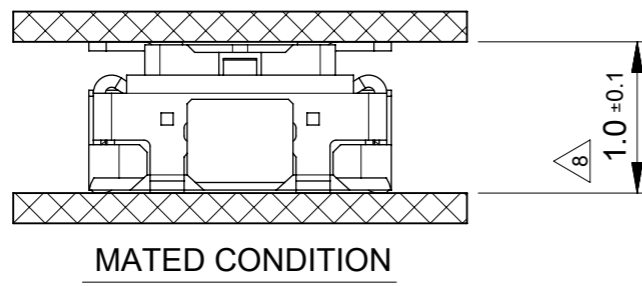
NOTES

- MATERIAL**
HOUSING : LIQUID CRYSTAL POLYMER UL94V-0 (COLOR : BLACK)
TERMINAL : COPPER ALLOY
FITTING NAIL : COPPER ALLOY
- PLATING**
TERMINAL :
GOLD
UNDER PLATING NICKEL
*DIVIDE INTO PARTS THE GOLD PLATING OF CONTACT AND THE TAIL PART BY THE NICKEL PLATING.
FITTING NAIL :
GOLD(ONLY CONTACT AND TAIL PART)
UNDER PLATING NICKEL
- APPLY FOR (CIRCUIT/2)=EVEN
- MATE WITH : 505413**10
- TAIL AND FITTING NAIL COPLANARITY TO BE 0.08MAXIMUM.
- PROHIBITED AREA OF PATTERN WIRING AND SOLDER.
(FOR EACH AREA, THE WIRING THAT TOUCHES ON THE SOLDER CAN BE ATTACHED, THEN COVERED WITH A FILM TO KEEP SOLDER OUT.)
- ELV and RoHS COMPLIANT.
- THIS DIMENSION SHOWS THE DIMENSION BETWEEN SOLDERING SURFACE OF SOLDER TAILS.

D	C	B	A	EMBOSSED TAPE PACKAGE	MASS PRODUCTION	LOW VOL. TOOL	CIRCUIT
				ORDER No.	SMAPLE PREPARATION ○: TOOLED △: WORK IN PROCESS ---: TOOLING TO BE CONFIRMED		
				CONNECTOR No. : 505417**09			

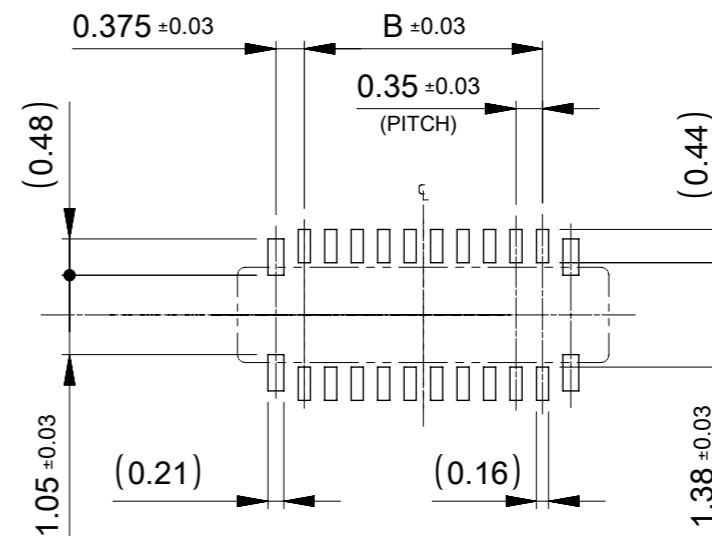
THIS DRAWING CONTAINS INFORMATION THAT IS PROPRIETARY TO MOLEX ELECTRONIC TECHNOLOGIES, LLC AND SHOULD NOT BE USED WITHOUT WRITTEN PERMISSION

DIMENSION UNITS	SCALE	CURRENT REV DESC:		molex
mm	10:1			
GENERAL TOLERANCES (UNLESS SPECIFIED)				0.35 BB CONN. H=1.0 SSB10RP PLUG ASSY
ANGULAR TOL	± 3.0 °	EC NO: 733067		PRODUCT CUSTOMER DRAWING
4 PLACES	± 0.03	DRWN: NASIMO	2022/12/21	
3 PLACES	± 0.03	CHK'D: YKOBAYASHI02	2022/12/22	
2 PLACES	± 0.05	APPR: KSASAKI	2022/12/23	DOCUMENT NUMBER 5054171000
1 PLACE	± 0.1	INITIAL REVISION:		
0 PLACES	± 0.2	DRWN: HONO01	2016/04/25	DOC PART 000
DRAFT WHERE APPLICABLE MUST REMAIN WITHIN DIMENSIONS		APPR: KMORIKAWA	2016/04/26	REVISION G
THIRD ANGLE PROJECTION		DRAWING	SERIES	MATERIAL NUMBER
A3-SIZE		505417	SEE CHART	CUSTOMER GENERAL
SHEET NUMBER		1 OF 2		



RECOMMENDED P.W.BOARD PATTERN LAYOUT (REFERENCE)

△6 PROHIBITED AREA OF PATTERN WIRING AND SOLDER.
 (FOR EACH AREA, THE WIRING THAT TOUCHES ON THE SOLDER CAN BE ATTACHED, THEN COVERED WITH A FILM TO KEEP SOLDER OUT.)



RECOMMENDED METAL MASK LAYOUT (REFERENCE)

RECOMMENDED THICKNESS OF METAL MASK : t=0.08mm

RECOMMENDED OPEN APERTURE RATIO OF METAL MASK : 80%

THIS DRAWING CONTAINS INFORMATION THAT IS PROPRIETARY TO MOLEX ELECTRONIC TECHNOLOGIES, LLC AND SHOULD NOT BE USED WITHOUT WRITTEN PERMISSION									
DIMENSION UNITS mm		SCALE 10:1		CURRENT REV DESC:				molex	
GENERAL TOLERANCES (UNLESS SPECIFIED)		ANGULAR TOL ± 3.0°		EC NO: 733067					
4 PLACES ± 0.03		3 PLACES ± 0.03		2 PLACES ± 0.05		1 PLACE ± 0.1		0 PLACES ± 0.2	
DRAFT WHERE APPLICABLE MUST REMAIN WITHIN DIMENSIONS		THIRD ANGLE PROJECTION		DRAWING A3-SIZE		SERIES 505417		SHEET NUMBER 2 OF 2	
DRWN: NASIMO		2022/12/21		CHK'D: YKOBAYASHI02		2022/12/22		APPR: KSASAKI	
DRWN: HONO01		2016/04/25		APPR: KMORIKAWA		2016/04/26		DOCUMENT NUMBER 5054171000	
PRODUCT CUSTOMER DRAWING		DOC TYPE PSD		DOC PART 000		REVISION G		MATERIAL NUMBER SEE CHART	
CUSTOMER GENERAL		CUSTOMER GENERAL		CUSTOMER GENERAL		CUSTOMER GENERAL		CUSTOMER GENERAL	