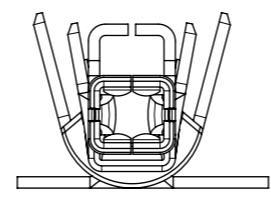
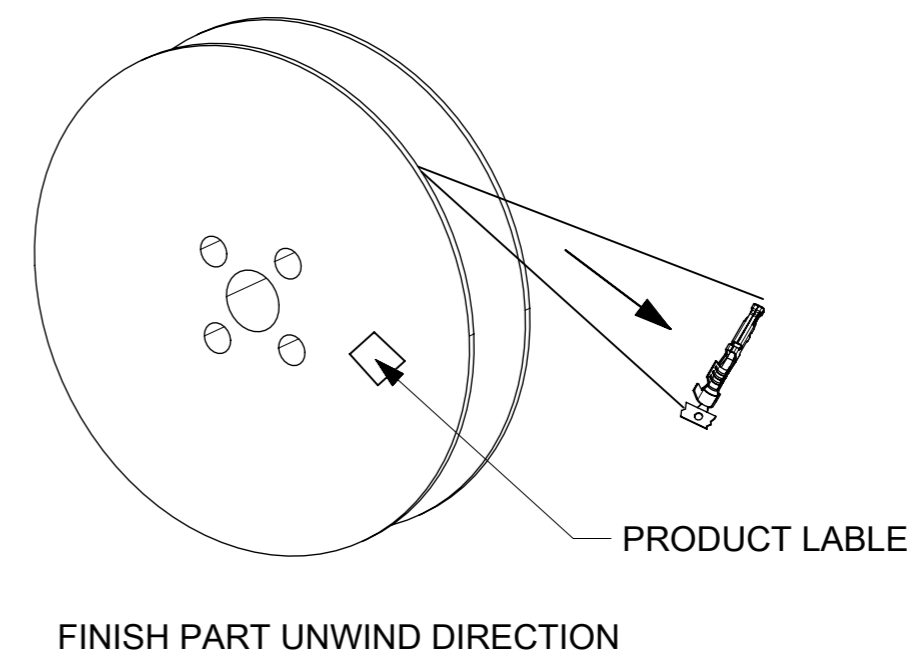
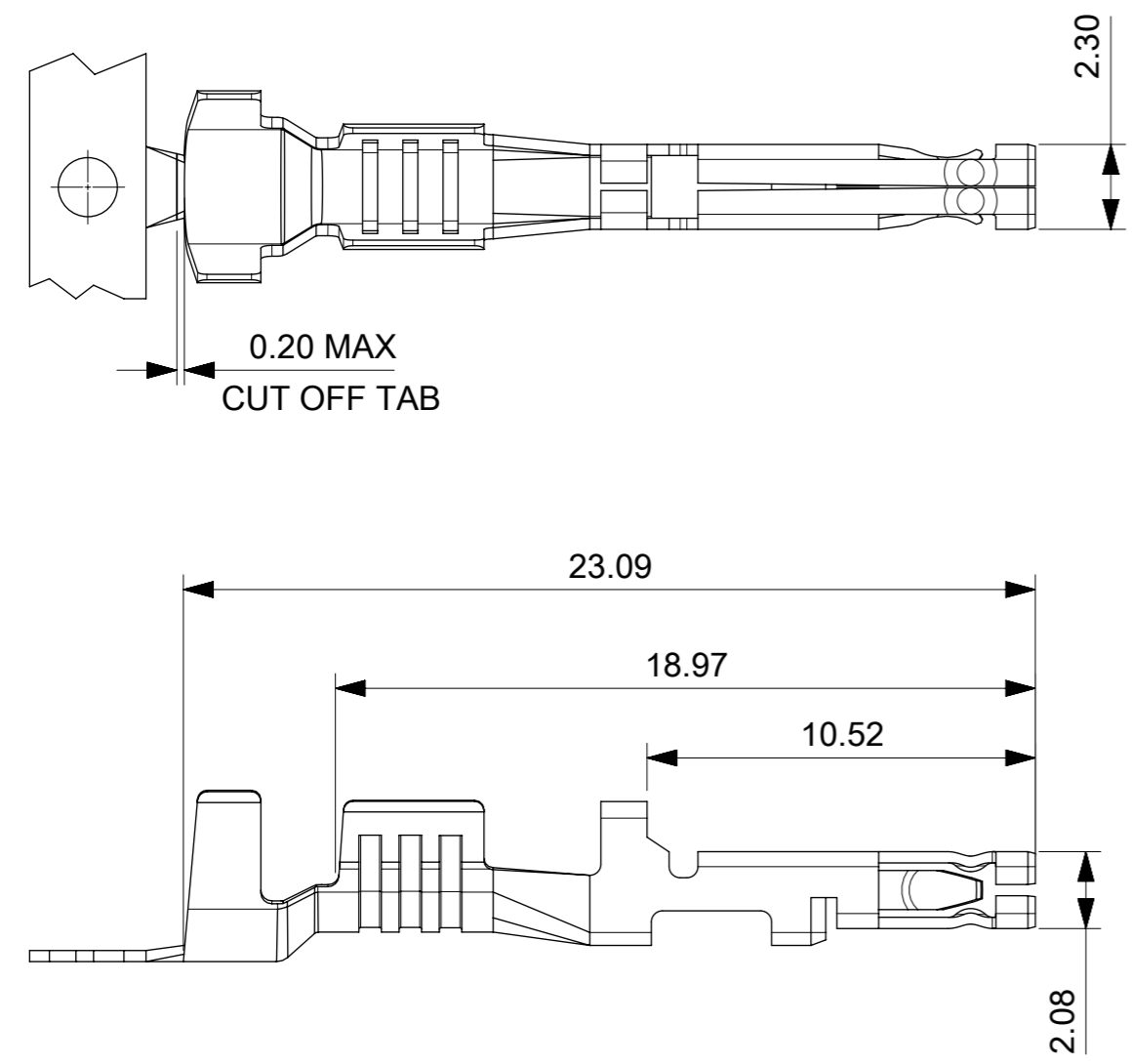
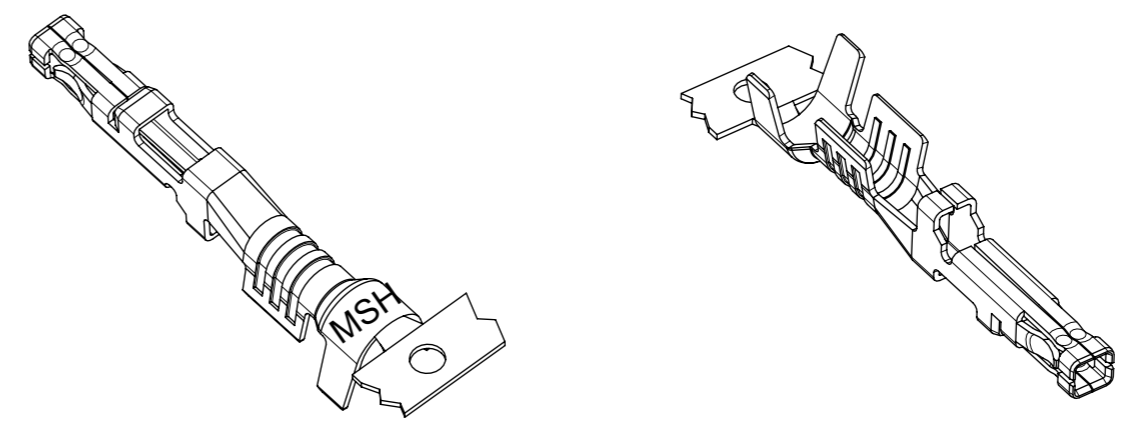
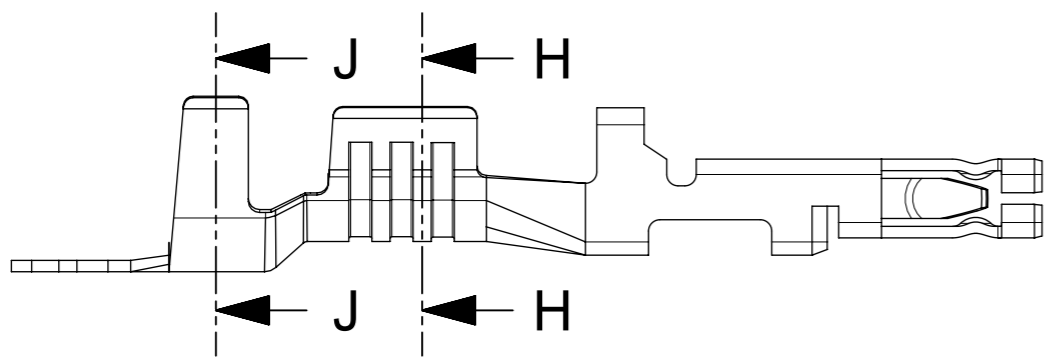


WIRE GAUGE		PART NUMBER	PLATING OPTION	LUBED	DIM "A"
NORMAL CRIMP	DOUBLE CRIMP				
10AWG	N/A	76823-0345	HOT DIP TIN PREPLATE-OVERALL 1.0µm(40µ") MIN	YES	14.00
12AWG	2x16AWG	76823-0343			13.00
14/16AWG	2x18AWG OR 2x20AWG	76823-0344			
10AWG	N/A	172063-0335	15µ" GOLD 0.38µm(15µ") GOLD CONTACT AREA,1.5µm(60µ")-2.5µm(100µ") MATTE TIN, OVER 1.25µm(50µ")-2.5µm(100µ") NICKEL OVERALL	YES	14.00
12AWG	2x16AWG	172063-0333			13.00
14/16AWG	2x18AWG OR 2x20AWG	172063-0334			
10AWG	N/A	172063-1335	30µ" GOLD 0.76µm(30µ") GOLD CONTACT AREA,1.5µm(60µ")-2.5µm(100µ") MATTE TIN, OVER 1.25µm(50µ")-2.5µm(100µ") NICKEL OVERALL	YES	14.00
12AWG	2x16AWG	172063-1333			13.00
14/16AWG	2x18AWG OR 2x20AWG	172063-1334			

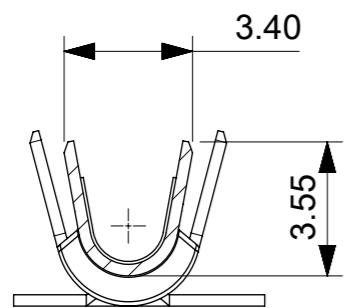


- NOTES:
1. MATERIAL: HIGH CONDUCTIVITY COPPER ALLOY.
  2. FINISH: SEE CHART.
  3. PRODUCT SPECIFICATION: 1720631000-PS/1054171000-PS.
  4. PACKAGING SPECIFICATION: REEL PER 768230200
  5. TERMINAL USED WITH MOLEX SERIES RECEPTACLE:17169202XX/200456
  6. APPLICATION SPECIFICATION: 768232000-AS

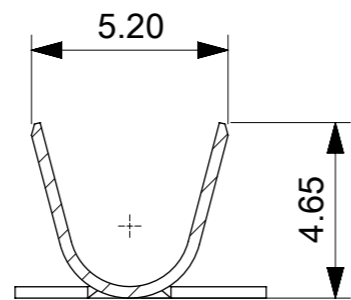
THIS DRAWING CONTAINS INFORMATION THAT IS PROPRIETARY TO MOLEX ELECTRONIC TECHNOLOGIES, LLC AND SHOULD NOT BE USED WITHOUT WRITTEN PERMISSION											
DIMENSION UNITS		SCALE		CURRENT REV DESC:						<b>molex</b>	
mm		NTS									
GENERAL TOLERANCES (UNLESS SPECIFIED)				EC NO: 722781						MEGA-FIT FEMALE TERMINAL FOR 14/16, 12AWG, AND 10AWG WIRE	
ANGULAR TOL ± 3.0°				4 PLACES ±		DRWN: WYATTH5		2022/10/20		PRODUCT CUSTOMER DRAWING	
				3 PLACES ±		CHK'D: XQZHANG		2022/10/27		DOCUMENT NUMBER	
				2 PLACES ± 0.25		APPR: XQZHANG		2022/10/27		768230200	
				1 PLACE ± 0.35		INITIAL REVISION:				DOC TYPE	
				0 PLACES ±		DRWN: YXZHENG		2016/12/15		PSD	
						APPR: YXZHENG		2018/08/06		DOC PART	
DRAFT WHERE APPLICABLE MUST REMAIN WITHIN DIMENSIONS				THIRD ANGLE PROJECTION		DRAWING		SERIES		REVISION	
				A3-SIZE		76823		MATERIAL NUMBER		C3	
				SEE TABLE		GENERAL MARKET		CUSTOMER		SHEET NUMBER	
										1 OF 3	



14/16AWG WIRE STYLES

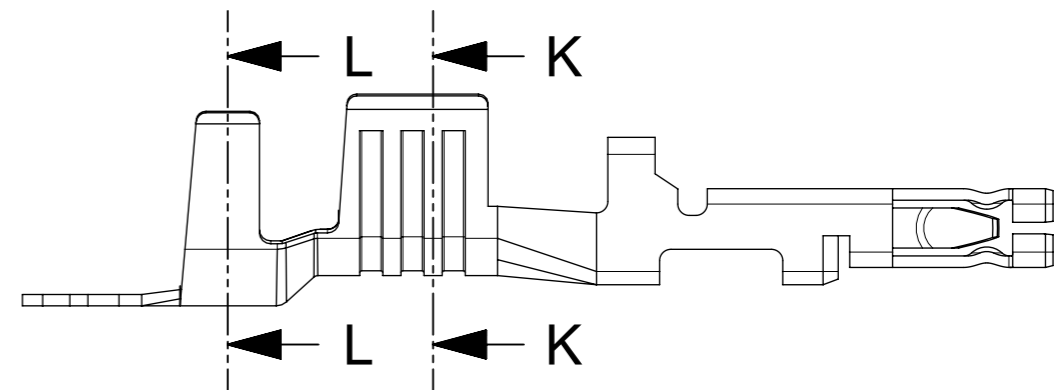


SECTION H-H

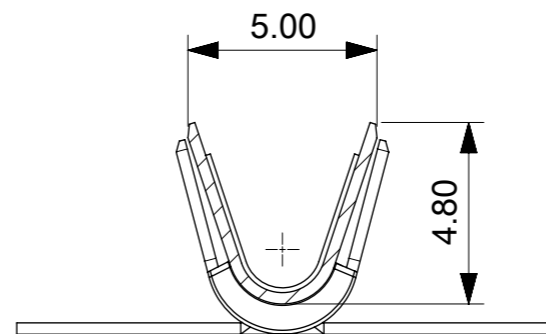


SECTION J-J

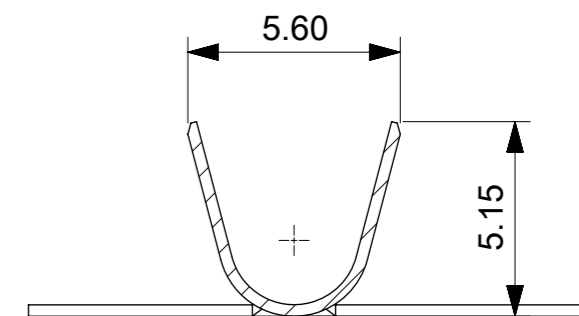
CONDUCTOR AND INSULATION 14/16AWG



12 AWG WIRE STYLES


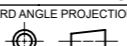


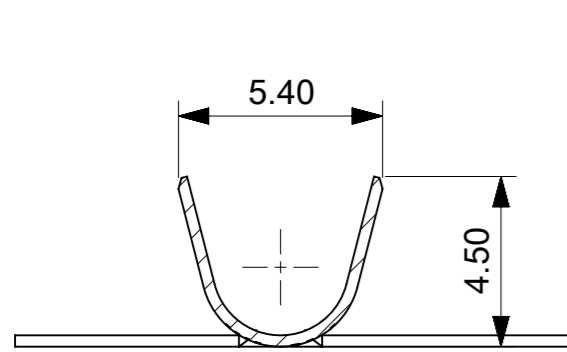
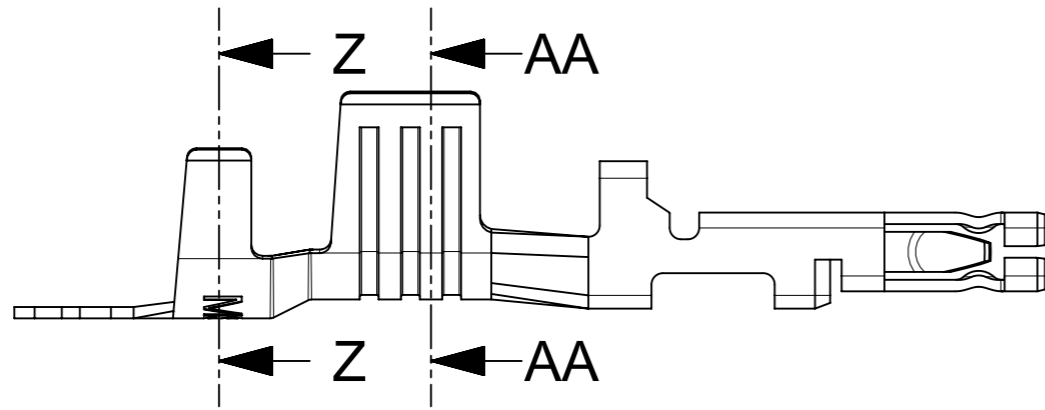
SECTION K-K



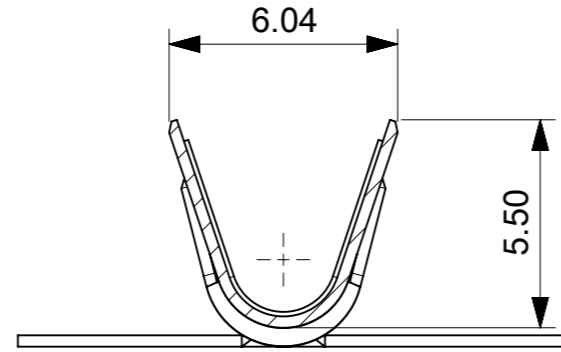
SECTION L-L

CONDUCTOR AND INSULATION 12AWG

THIS DRAWING CONTAINS INFORMATION THAT IS PROPRIETARY TO MOLEX ELECTRONIC TECHNOLOGIES, LLC AND SHOULD NOT BE USED WITHOUT WRITTEN PERMISSION									
DIMENSION UNITS	SCALE	CURRENT REV DESC:							
mm	NTS								
GENERAL TOLERANCES (UNLESS SPECIFIED)					MEGA-FIT FEMALE TERMINAL FOR 14/16, 12AWG, AND 10AWG WIRE				
ANGULAR TOL ± 3.0°					PRODUCT CUSTOMER DRAWING				
4 PLACES	±	EC NO: 722781			DOCUMENT NUMBER				
3 PLACES	±	DRWN: WYATTH5 2022/10/20			768230200				
2 PLACES	± 0.25	CHK'D: XQZHANG 2022/10/27			DOC TYPE DOC PART REVISION				
1 PLACE	± 0.35	APPR: XQZHANG 2022/10/27			PSD 000 C3				
0 PLACES	±	INITIAL REVISION:			MATERIAL NUMBER CUSTOMER SHEET NUMBER				
DRAFT WHERE APPLICABLE MUST REMAIN WITHIN DIMENSIONS		THIRD ANGLE PROJECTION		DRAWING	SERIES	SEE TABLE		GENERAL MARKET 2 OF 3	
				A3-SIZE	76823				

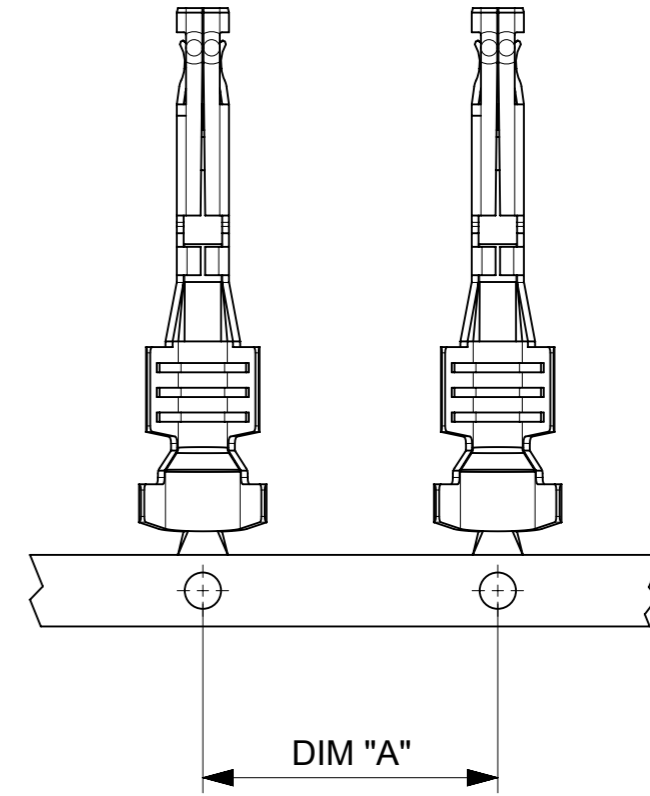


SECTION Z-Z



SECTION AA-AA

CONDUCTOR AND INSULATION 10AWG



THIS DRAWING CONTAINS INFORMATION THAT IS PROPRIETARY TO MOLEX ELECTRONIC TECHNOLOGIES, LLC AND SHOULD NOT BE USED WITHOUT WRITTEN PERMISSION									
DIMENSION UNITS	SCALE	CURRENT REV DESC:							
mm	NTS								
GENERAL TOLERANCES (UNLESS SPECIFIED)		EC NO: 722781			<b>MEGA-FIT FEMALE TERMINAL FOR 14/16, 12AWG, AND 10AWG WIRE</b>				
ANGULAR TOL ± 3.0°		DRWN: WYATTH5 2022/10/20							
4 PLACES	±	CHK'D: XQZHANG 2022/10/27			<b>PRODUCT CUSTOMER DRAWING</b>				
3 PLACES	±	APPR: XQZHANG 2022/10/27							
2 PLACES	± 0.25	INITIAL REVISION:			DOCUMENT NUMBER		DOC TYPE	DOC PART	REVISION
1 PLACE	± 0.35	DRWN: YXZHENG 2016/12/15			768230200		PSD	000	C3
0 PLACES	±	APPR: YXZHENG 2018/08/06			MATERIAL NUMBER		CUSTOMER		SHEET NUMBER
DRAFT WHERE APPLICABLE MUST REMAIN WITHIN DIMENSIONS		THIRD ANGLE PROJECTION	DRAWING	SERIES	SEE TABLE		GENERAL MARKET		3 OF 3