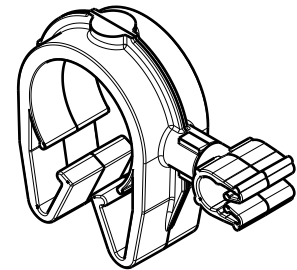
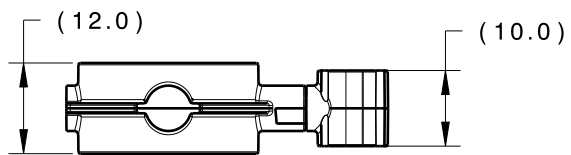
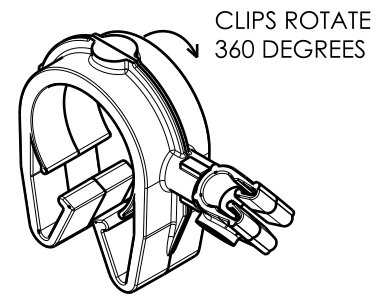
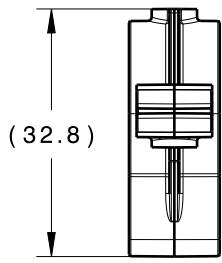
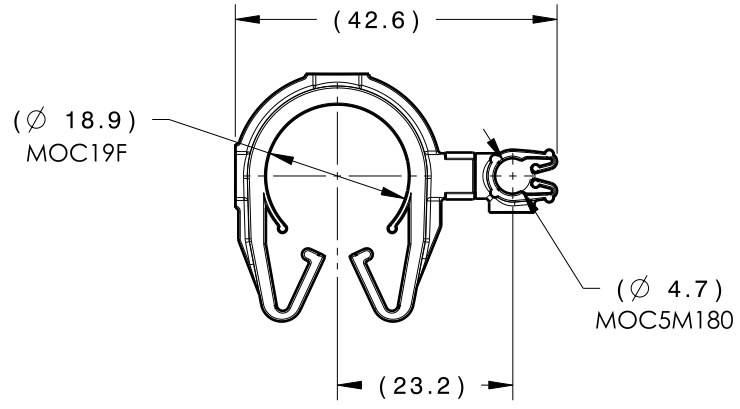


Revision Level			Revision Record	Changed	Date	Approved	Date
Drawing	State	Part					
00.1	Design Release	-	SEE ECN# 014773	TAT	11/30/2018	EJH	11/30/2018



ISOMETRIC VIEW



ISOMETRIC VIEW ROTATED

TYPE	MOC19F	MOC5M180
HARNESS	17.0MM - 20.0MM	4.5MM - 5.5MM
HOSE	17.0MM - 20.0MM	4.0MM - 5.3MM
HARD PIPE/TUBE	19.0MM - 21.8MM	4.8MM - 5.5MM

*RECOMMENDED SIZES MAY DIFFER DEPENDING ON THE APPLICATION , PRODUCT REQUIREMENTS AND MATERIALS USED

**PATENT PENDING 29/582,271

GLOBAL PART DESCRIPTION	MOC19F**			MOC5M180		
	DRAWING	MATERIAL	COLOR	DRAWING	MATERIAL	COLOR
MOC19FMOC5M180-PA66HIRHSUV-BK	16-0322-000-CSU	PA66HIRHSUV	BLACK	16-0313-000-CSU	PA66HIRHSUV	BLACK

Material SEE CHART COLOR: SEE CHART	Units	millimeters	The copyright of this drawing is reserved by HellermannTyton. It is issued on condition that it is not reproduced, copied or disclosed to a third party, either wholly or in part, without the consent of HellermannTyton.	Drawn	CJR	9/24/18	Article/Type-No MOC19FMOC5M180	Scale	1:1	
	Tolerance defined on each dimension	HellermannTyton		Approved	TAT	9/24/18		Title 19MM MOC COUPLED TO A 5MM MOC M180	Project Number	16-0330
				North America Email: corp@htamericas.com Web: www.hellermann.tyton.com	16-0330-612-CSU	Drawing-No	PRODUCTION : Phase		Format	AH
						Sheet	1/1			