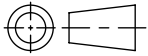
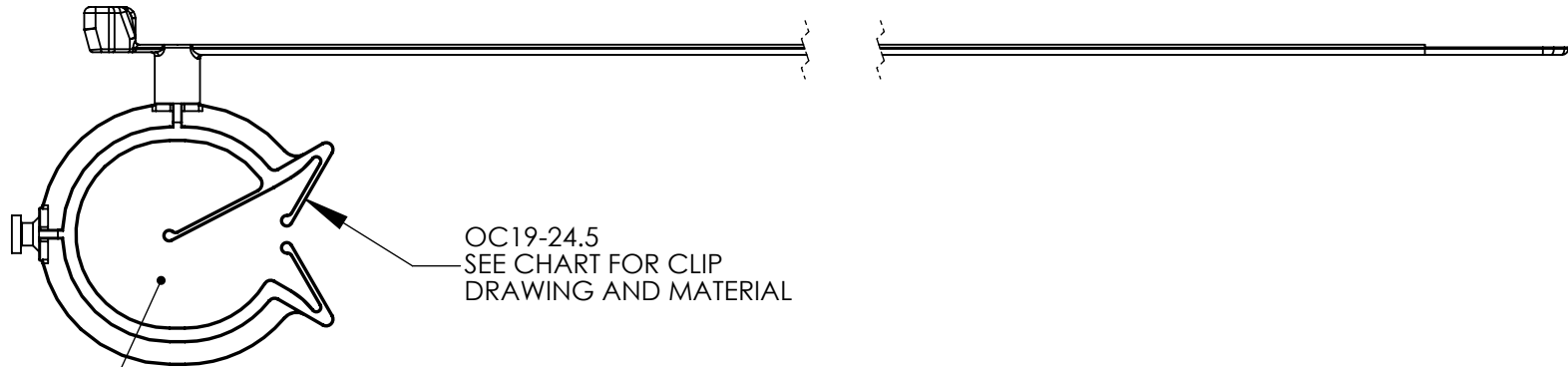
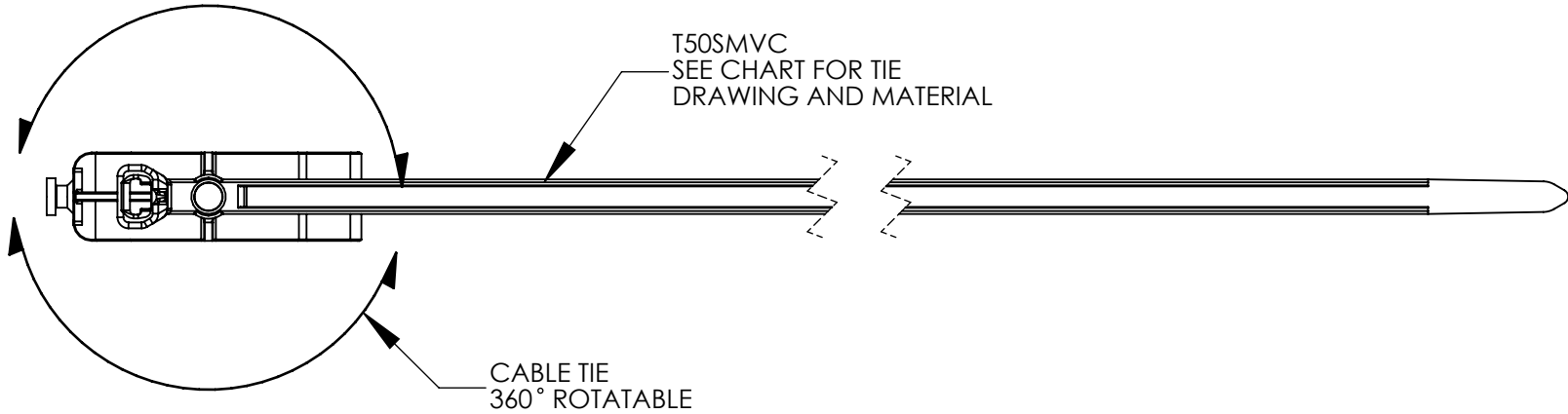


SW2011



Revision level			Revision Record	Changed	Date	Approved	Date
Drawing	State	Part					
01.1	Design Release	-	SEE ECN# 012883	AAC	11/17/14	KAC	11/17/14



TYPE	BUNDLE DIAMETER	CABLE TIE		CLIP	
		DRAWING	MATERIAL	DRAWING	MATERIAL
T50SMVCOC19-24.5	2 to 50	14-0606-002-CSU	PA66HS	05-0046-001-CSU	PA66IMHS

Material SEE CHART	Units: millimeters	The copyright of this drawing is reserved by HellermannTyton. It is issued on condition that it is not reproduced, copied, or disclosed to a third party, either wholly or in part, without the consent of HellermannTyton.	Drawn	AAC	11/17/14	Article/Type-No	T50SMVCOC19-24.5	Scale	1:1
	Dimension without tolerances details to: .XXX = ±.013 .XX = ±.13 .X = ±.3 None = ±.8 ∠ = ±0.5° Dimension Formatted mm/[in]		Approved	KAC	11/17/14	Title	T50SMVCOC19-24.5 T50SMVC CABLE TIE WITH OMEGA CLIP 19-24.5	Project Number	PRP 05-0046
	HellermannTyton North America Email: corp@htamericas.com Web: www.hellermann.tyton.com		Drawing-No	Production : Phase		Format	AH		
			05-0046-002-CSU		Sheet	1/1			