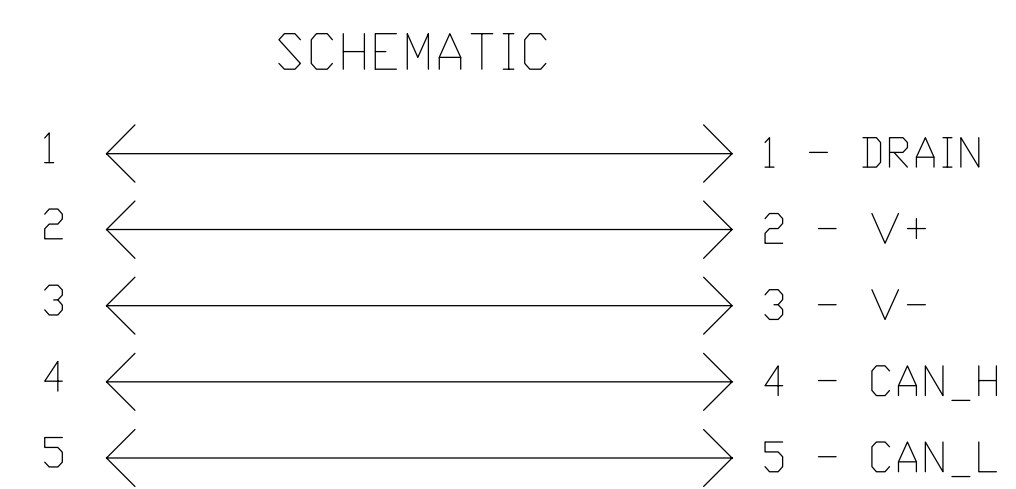
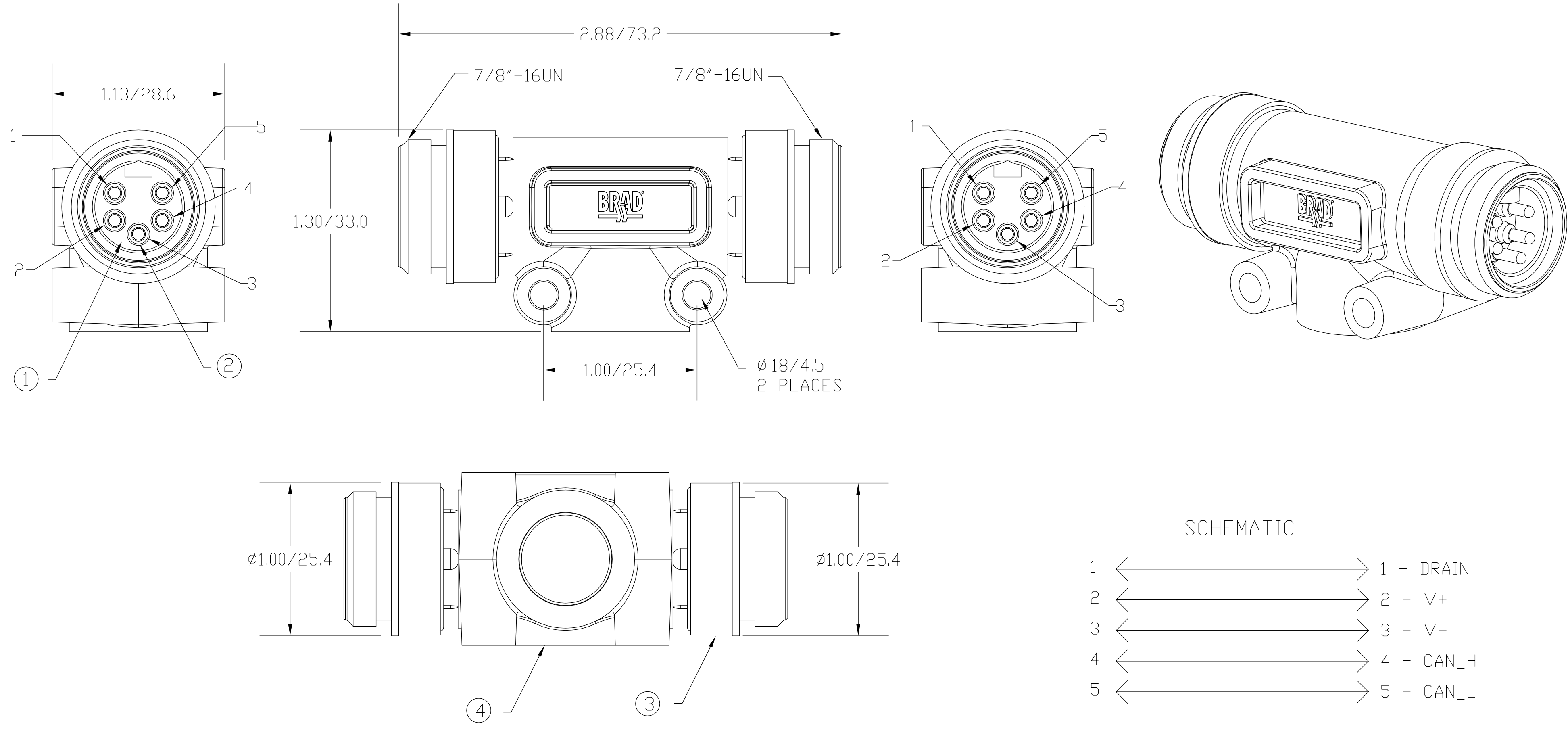


MATERIAL NUMBER	OLD PART NUMBER
130035-0015	115060A



VOLTAGE RATING	25 VAC/VDC
AMPERAGE RATING	4 AMPS
PROTECTION	IP67
OPERATING TEMPERATURE	-20°C TO 80°C

ITEM	COMPONENT	MATERIAL	FINISH
1	INSERT	TPE	GRAY
2	CONTACT PIN	COPPER ALLOY	GOLD OVER NICKEL
3	COUPLING NUT	ZINC DIE CAST	BLACK E-COATED
4	OVERMOLD	TPE	GRAY

RLSO DRAWING  
 EC NO: WNA2009-0576  
 DRWN: BWOODMAN 3/11/09  
 CH'KD: KJ  
 APPR: JFMURPHY 2009/03/31

QUALITY SYMBOL  
 ▽=0  
 ▽=0

DESCRIPTION  
 REV

GENERAL TOLERANCES (UNLESS SPECIFIED)	
	IN/MM
4 PLACES	±0.3
3 PLACES	±0.1
2 PLACES	±0.05
1 PLACE	±0.025
ANGULAR ±0.5°	
DRAFT WHERE APPLICABLE MUST REMAIN WITHIN DIMENSIONS	

DIMENSION STYLE	
IN/MM	
DRAWN BY	DATE
BW	2009/03/12
CHECKED BY	DATE
JM	2009/03/12
APPROVED BY	DATE
---	---
MATERIAL NO.	
SEE CHART	
SIZE	C

SCALE	DESIGN UNITS	THIRD ANGLE PROJECTION
---	---	☉
TITLE		
MC 5P MALE GENDER CHANGE		
MATERIAL NO.		
SEE CHART		
DOCUMENT NO.		SHEET NO.
SD-130035-003		1 OF 1
THIS DRAWING CONTAINS INFORMATION THAT IS PROPRIETARY TO MOLEX INCORPORATED AND SHOULD NOT BE USED WITHOUT WRITTEN PERMISSION		