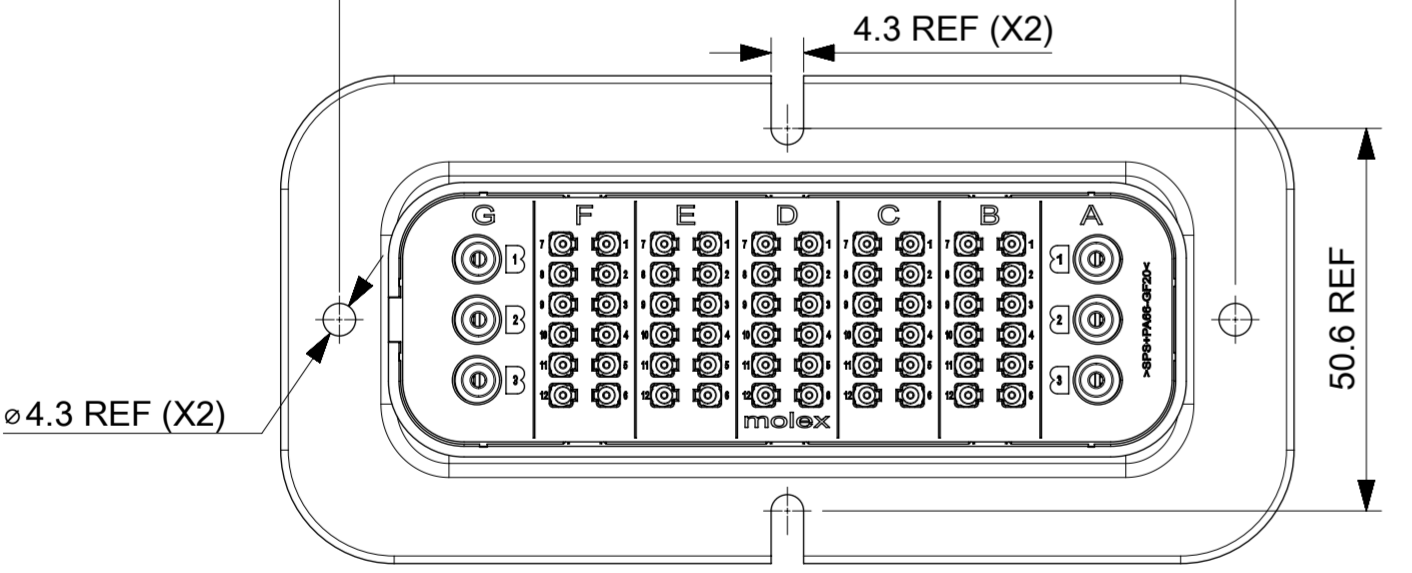
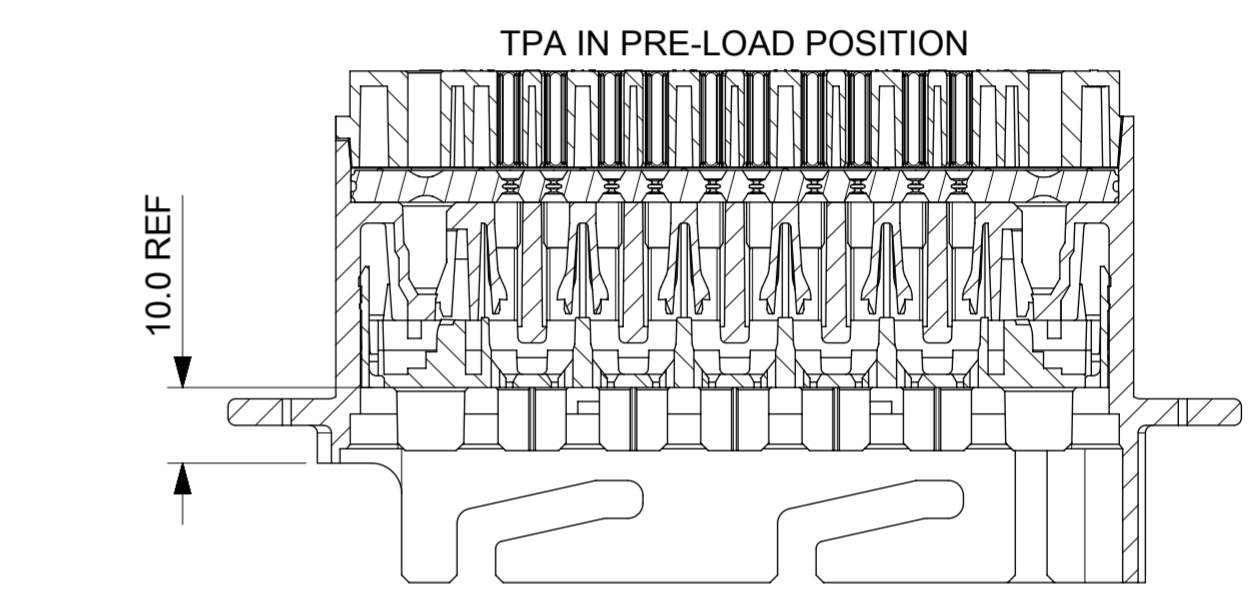
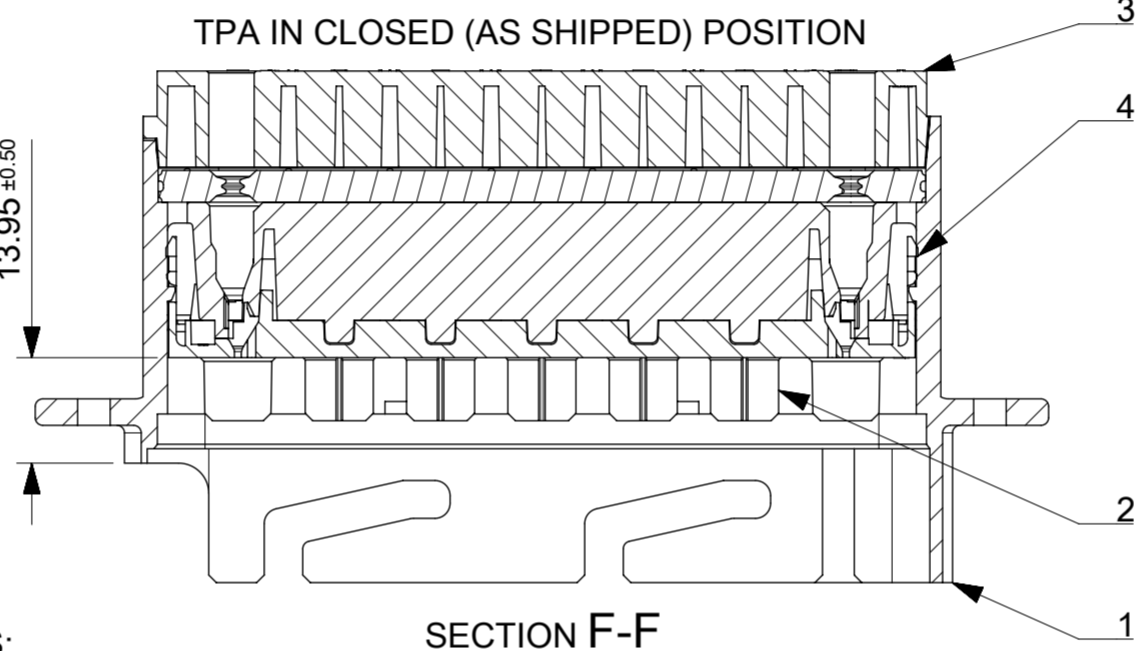
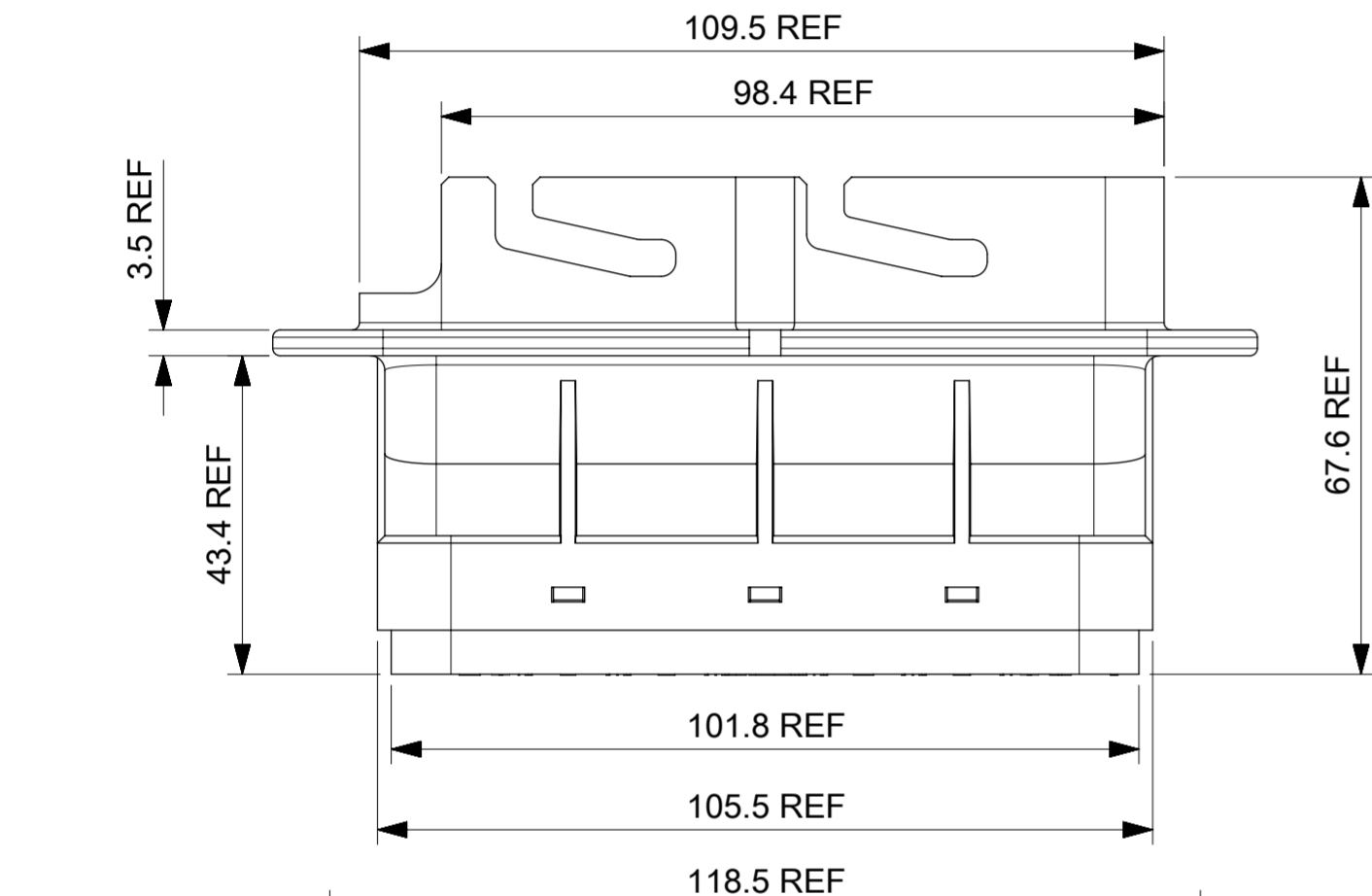
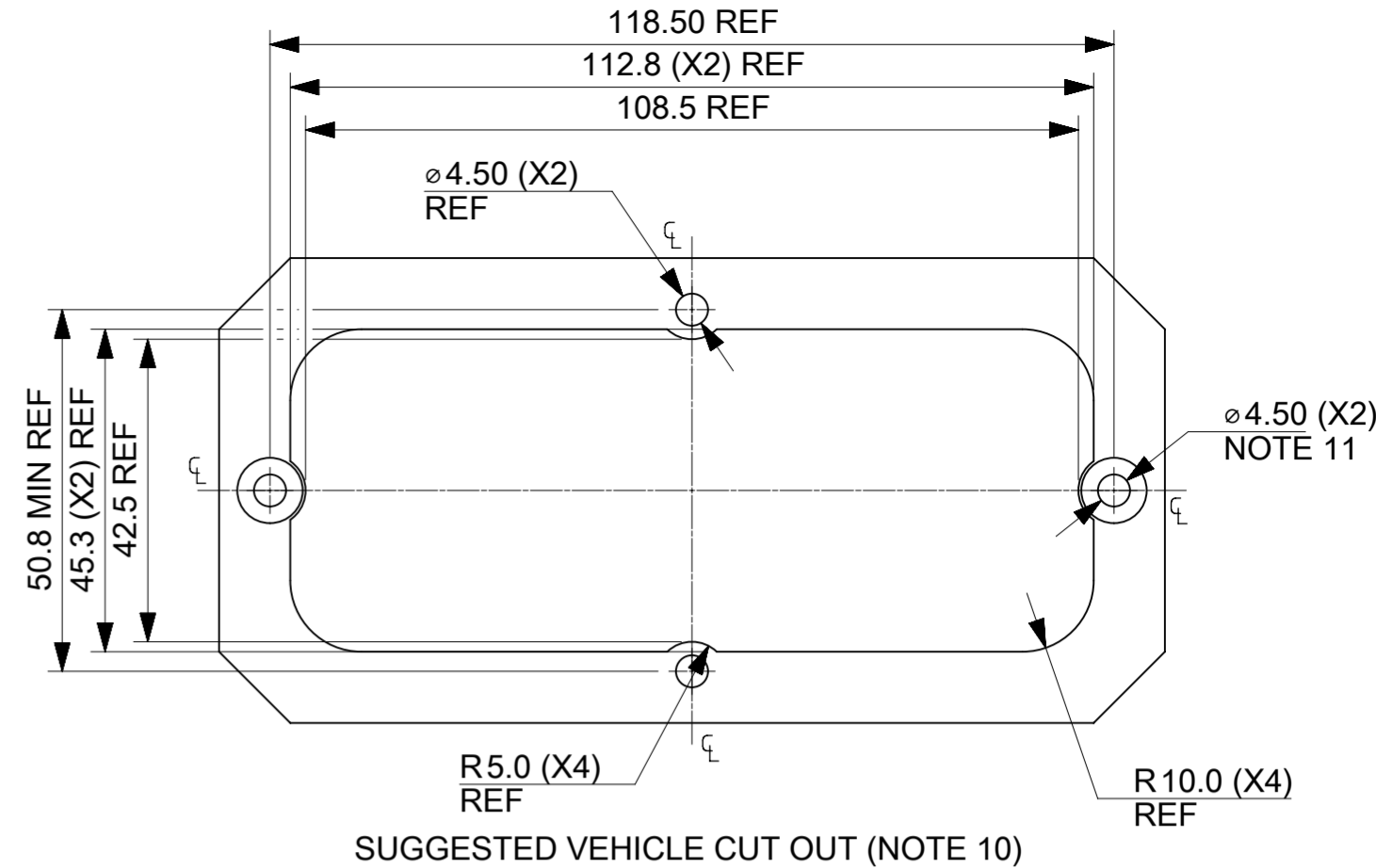
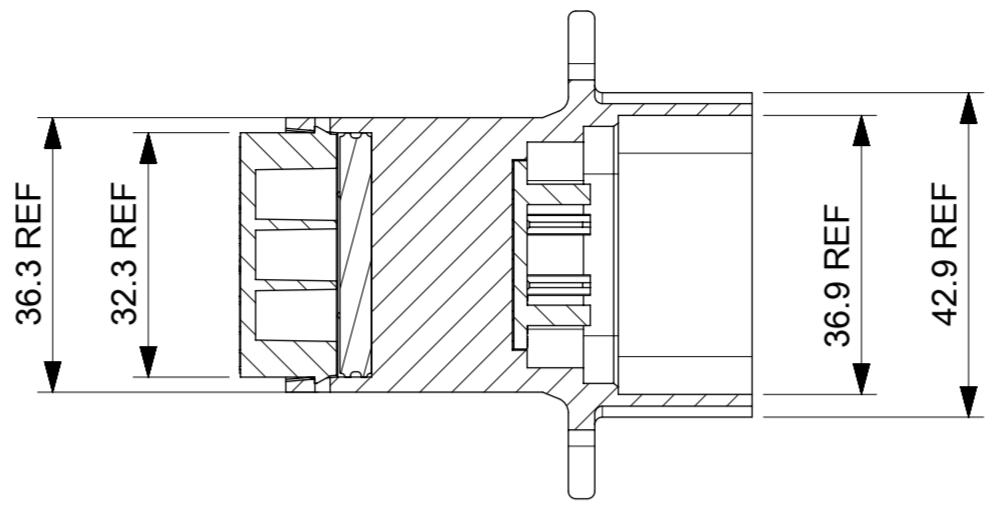
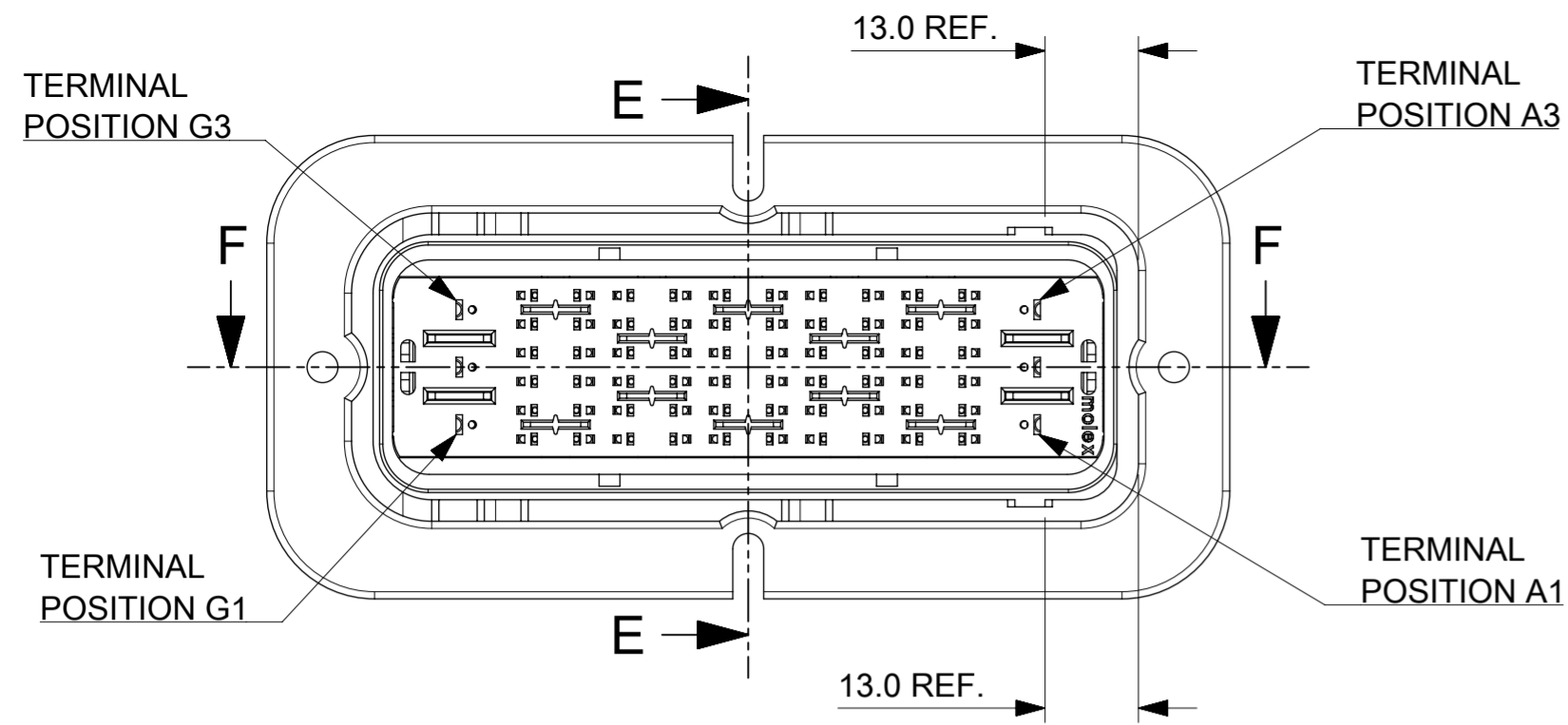
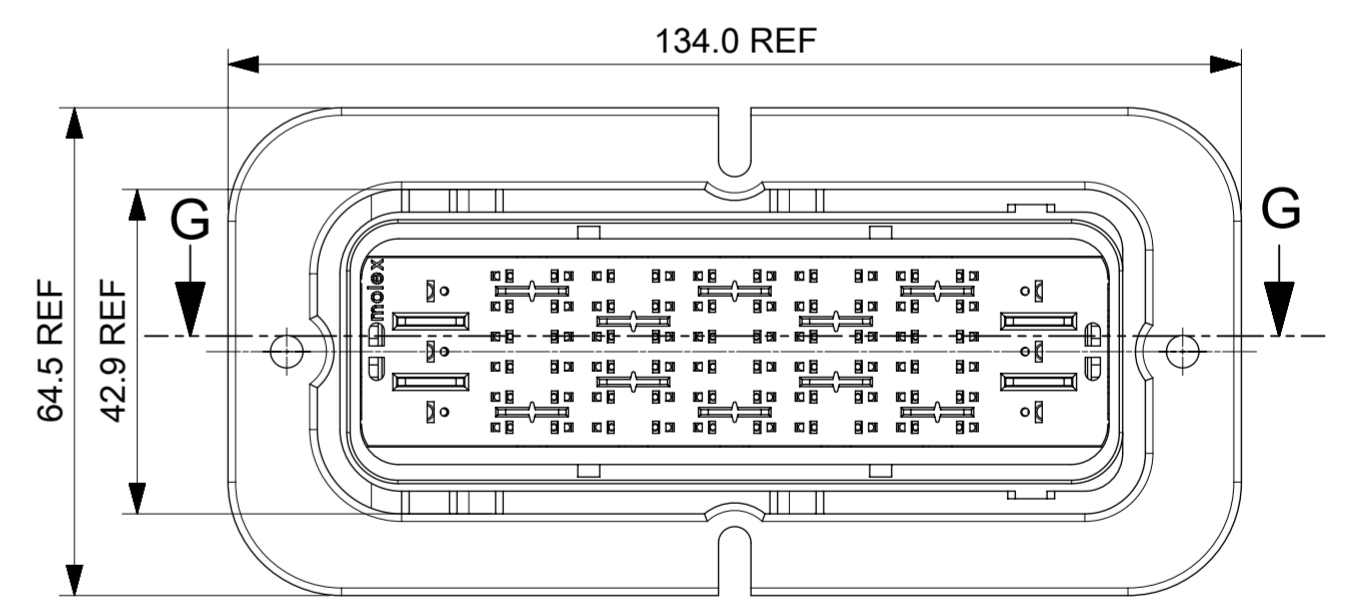


60+6AG MAIN HOUSING BLACK



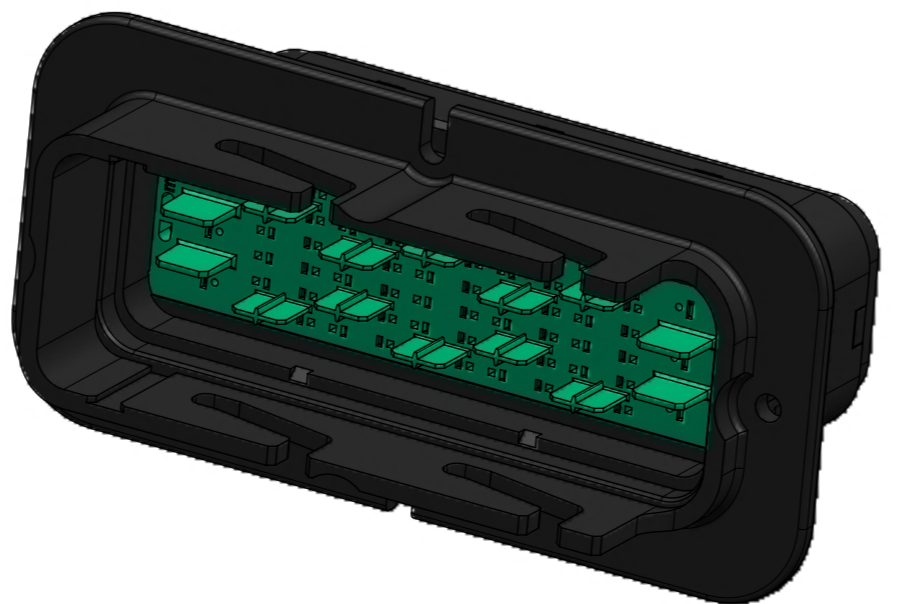
- NOTES:**
- MATERIALS:
HOUSINGS: SPS/NYLON BLEND, GLASS FILLED, UL 94 HB
SEAL: SILICONE RUBBER
 - EXTERNAL SURFACES CLASS C PER MOLEX STANDARD PS-45499-002. VARIATION OF SHADE WITHIN OR BETWEEN BATCHES, OR DISCOLOURATION IS ACCEPTABLE.
 - MX150 BLADE TERMINALS PER SD-33000-001 TO BE USED WITH THESE ASSEMBLIES IN CAVITIES B, C, D, E AND F, CRIMPED WITH CABLE INSULATION OUTER DIAMETER IN THE RANGE 1.5mm TO 2.7mm
 - MX150L BLADE TERMINALS PER SD-19431-00* TO BE USED WITH THESE ASSEMBLIES IN CAVITIES A AND G, CRIMPED WITH CABLE INSULATION OUTER DIAMETER IN THE RANGE 3.0mm TO 5.0mm
 - PRODUCT SPECIFICATION: 850830010 PSP
 - PACKAGING SPECIFICATION: 937921000 PSK
 - MATES WITH: SRC 60+6AG POWER RECEPTACLE HOUSING (BLACK) PART NUMBER 850840700 PER 850840700 PSD
 - APPLICATION SPECIFICATION: 850830010 PSA
 - FLANGE GASKET OPTION: REFER TO 850710017 PSD
 - SUGGESTED DIMENSIONS FOR FLAT PLATE. CUSTOMER SHOULD VERIFY FIT IN THEIR OWN APPLICATION. ALL DIMENSIONS SYMMETRIC ABOUT CENTRE LINES
 - CLEARANCE FOR M4 COUNTERSUNK HEADS RECOMMENDED IN THESE HOLES



ACCEPTABLE CABLE INSULATION Ø RANGES (mm) - NOTES 3 & 4						
CAVITY SET						
G	F	E	D	C	B	A
3.0 - 5.0	1.5 - 2.7	1.5 - 2.7	1.5 - 2.7	1.5 - 2.7	1.5 - 2.7	3.0 - 5.0

No.	DESCRIPTION	QTY	COLOUR
4	MALE BACK SEAL	1	RUST RED
3	MALE REAR COVER	1	BLACK
2	MALE FRONT COVER	1	GREEN
1	MALE HOUSING	1	BLACK

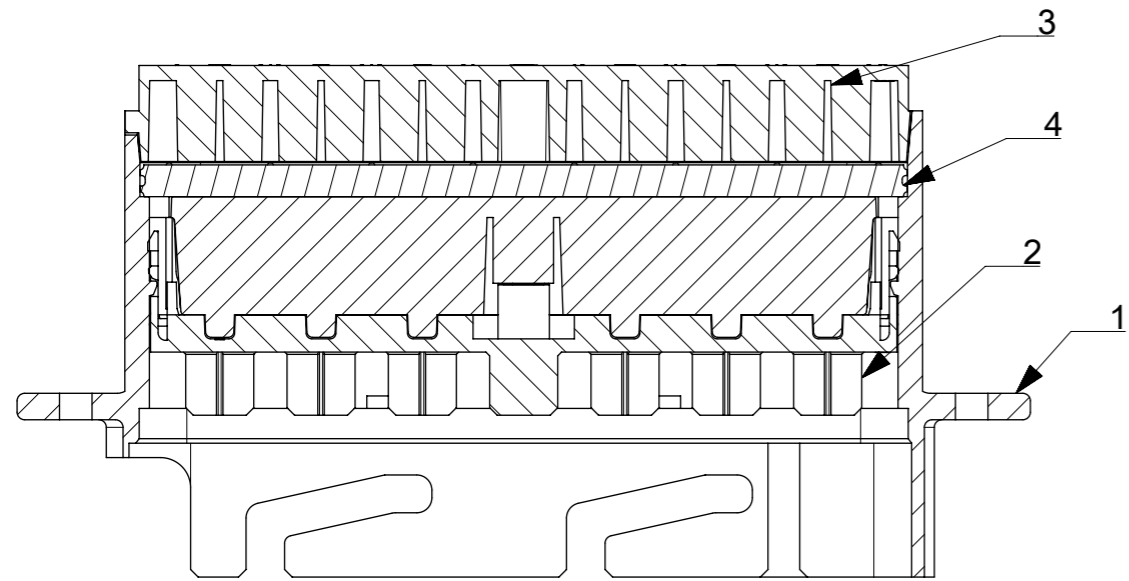
BILL OF MATERIAL



THIS DRAWING CONTAINS INFORMATION THAT IS PROPRIETARY TO MOLEX ELECTRONIC TECHNOLOGIES, LLC AND SHOULD NOT BE USED WITHOUT WRITTEN PERMISSION

DIMENSION UNITS	SCALE	CURRENT REV DESC: UPDATED CUT OUT	
mm	1:1		
GENERAL TOLERANCES (UNLESS SPECIFIED)		EC NO: 616515	
ANGULAR TOL	± °	DRWN: AJOBRIEN	2018/05/21
4 PLACES	±	CHK'D: JFLETCHER	2019/05/07
3 PLACES	±	APPR: IOCONNELL	2019/06/26
2 PLACES	± 0.2	INITIAL REVISION:	
1 PLACE	± 0.5	DRWN: AJOBRIEN	2015/08/07
0 PLACES	±	APPR: JDWALLACE	2015/09/03
DRAFT WHERE APPLICABLE MUST REMAIN WITHIN DIMENSIONS	THIRD ANGLE PROJECTION	DRAWING	SERIES
		A2-SIZE	93792
		MATERIAL NUMBER	CUSTOMER
		937926006	GENERAL MARKET
		DOCUMENT NUMBER	DOC TYPE DOC PART REVISION
		937921000	PSD 000 C
		SHEET NUMBER	
		1 OF 16	

72+2D MAIN HOUSING BLACK



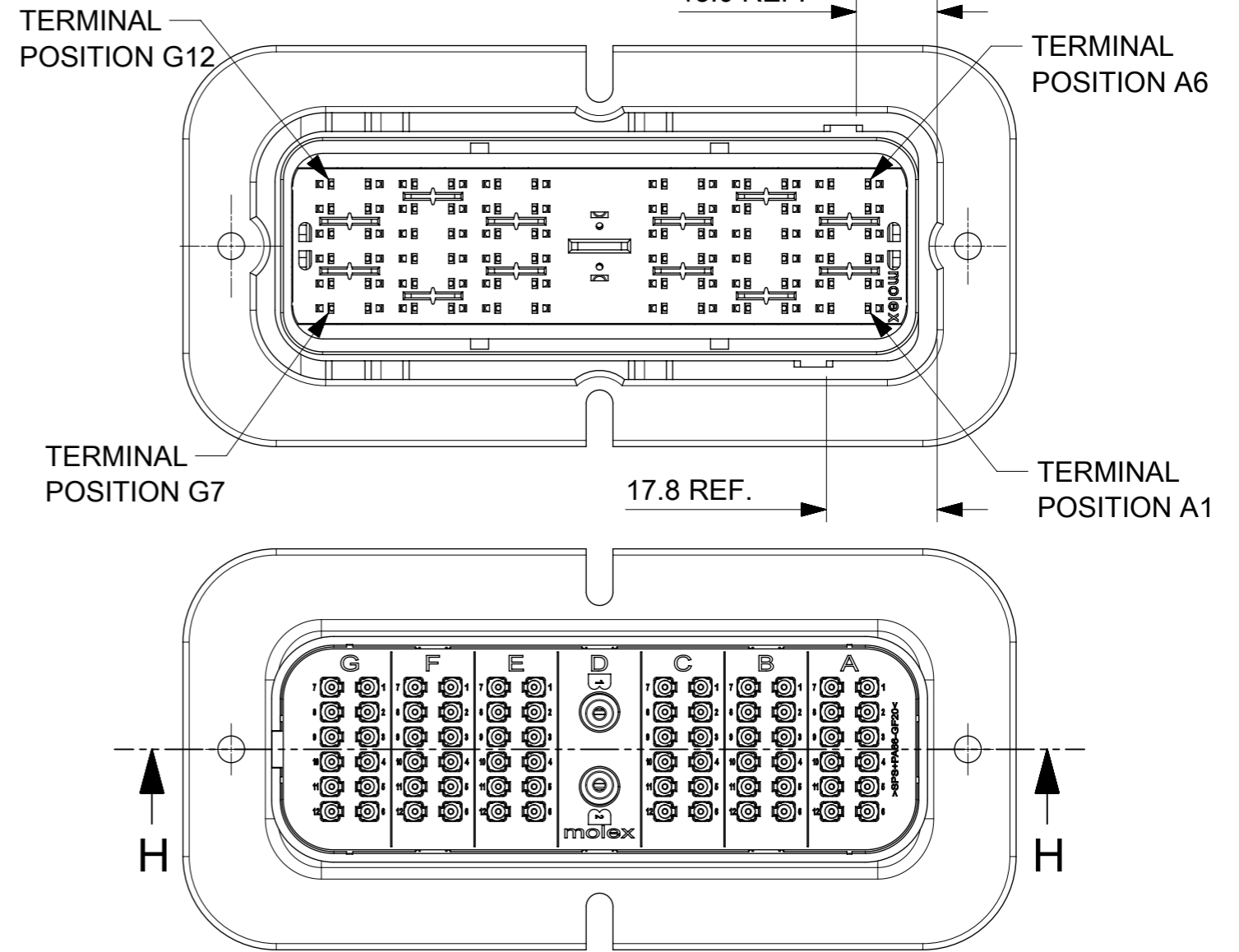
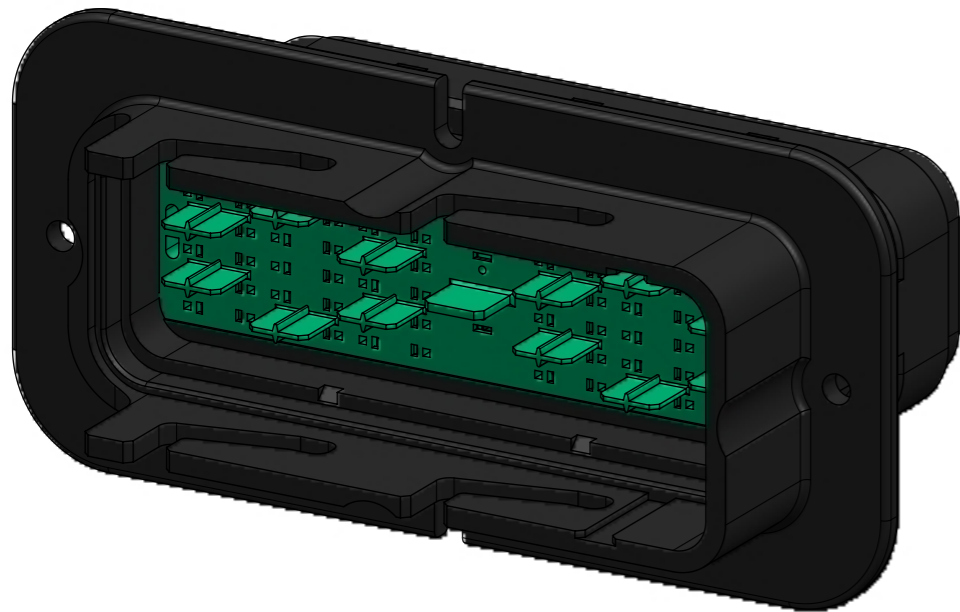
SECTION H-H

ACCEPTABLE CABLE INSULATION Ø RANGES (mm) - NOTES 2 & 3

CAVITY SET

G	F	E	D	C	B	A
1.5 - 2.7	1.5 - 2.7	1.5 - 2.7	3.0 - 5.0	1.5 - 2.7	1.5 - 2.7	1.5 - 2.7

4	MALE BACK SEAL	1	RUST RED
3	MALE REAR COVER	1	BLACK
2	MALE FRONT COVER	1	GREEN
1	MALE HOUSING	1	BLACK
No.	DESCRIPTION	QTY	COLOUR
BILL OF MATERIAL			

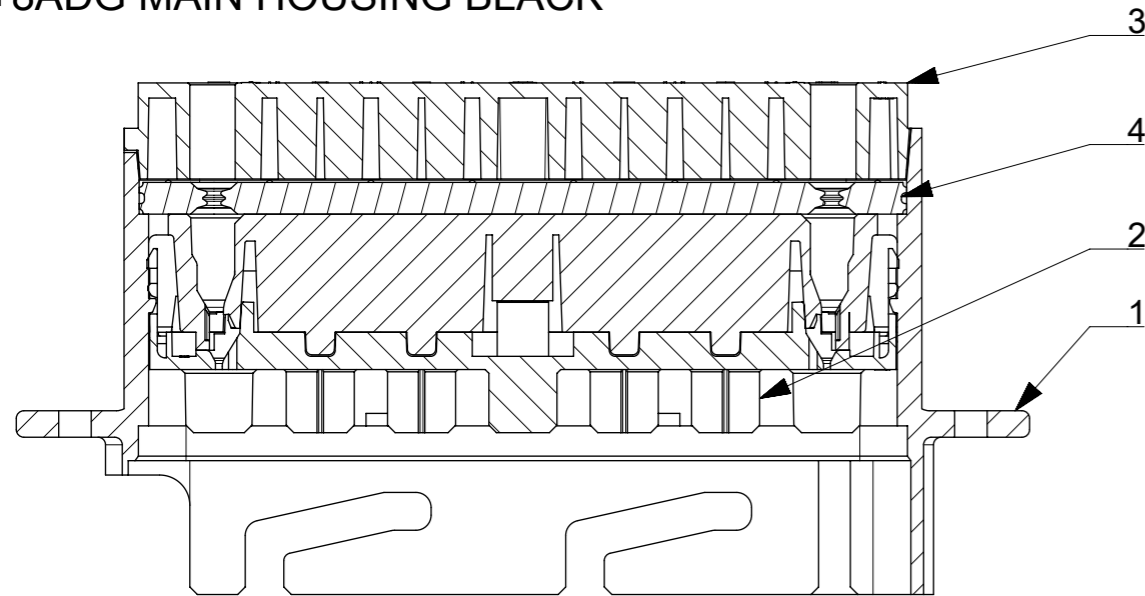


NOTES:

1. REFERENCE SHEET 1 FOR UNSPECIFIED NOTES AND DIMENSIONS
2. MX150 BLADE TERMINALS PER SD-33000-001 TO BE USED WITH THIS ASSEMBLY IN CAVITIES A, B, C, E, F AND G, CRIMPED WITH CABLE INSULATION OUTER DIAMETER IN THE RANGE 1.5mm TO 2.7mm
3. MX150L BLADE TERMINALS PER SD-19431-00* TO BE USED WITH THIS ASSEMBLY IN CAVITY D CRIMPED WITH CABLE INSULATION OUTER DIAMETER IN THE RANGE 3.0mm TO 5.0mm
4. MATES WITH: SRC 72+2D POWER RECEPTACLE HOUSING ASSEMBLY (BLACK) PART NUMBER 850847202 PER 850840700 PSD

DIMENSION UNITS		SCALE	CURRENT REV DESC: UPDATED CUT OUT				
mm		1:1	<div style="text-align: center; font-size: 24pt; font-weight: bold;">molex</div> <p>SRC MIXED POWER MALE BLADE HOUSING ASSEMBLY</p> <p>PRODUCT CUSTOMER DRAWING</p>				
GENERAL TOLERANCES (UNLESS SPECIFIED)							
ANGULAR TOL ± °							
4 PLACES ±	EC NO: 616515						
3 PLACES ±	DRWN: AJOBRIEN 2018/05/21						
2 PLACES ± 0.2	CHK'D: JFLETCHER 2019/05/07						
1 PLACE ± 0.5	APPR: IOCONNELL 2019/06/26						
0 PLACES ±	INITIAL REVISION:						
DRAFT WHERE APPLICABLE MUST REMAIN WITHIN DIMENSIONS			DRWN: AJOBRIEN 2015/08/07	DOC NUMBER	DOC TYPE	DOC PART	REVISION
THIRD ANGLE PROJECTION			APPR: JDWALLACE 2015/09/03	937921000	PSD	000	C
DRAWING			SERIES	MATERIAL NUMBER	CUSTOMER		SHEET NUMBER
A3-SIZE			93792	937927202	GENERAL MARKET		2 OF 16

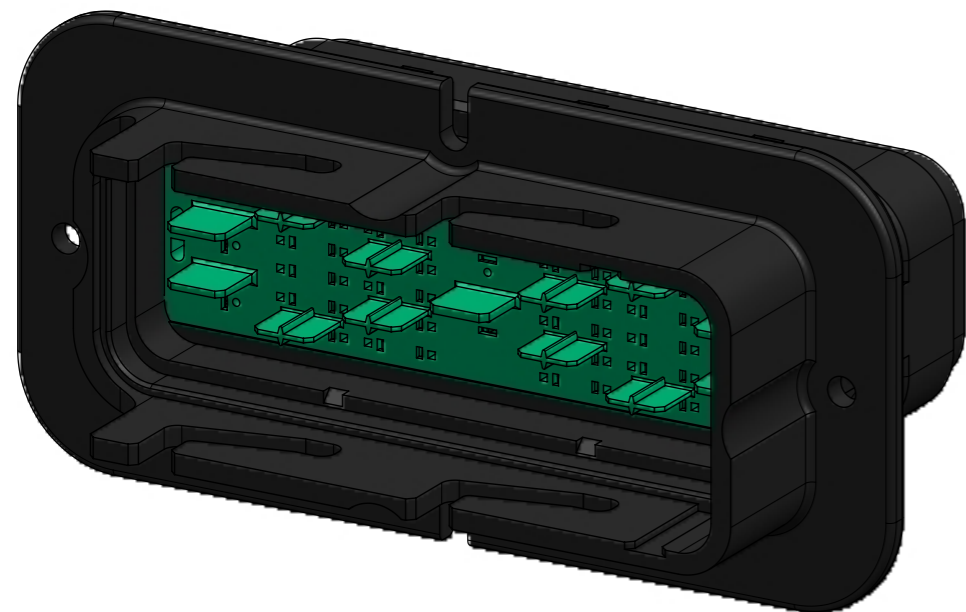
48+8ADG MAIN HOUSING BLACK



SECTION J-J

ACCEPTABLE CABLE INSULATION Ø RANGES (mm) - NOTES 2 & 3						
CAVITY SET						
G	F	E	D	C	B	A
3.0 - 5.0	1.5 - 2.7	1.5 - 2.7	3.0 - 5.0	1.5 - 2.7	1.5 - 2.7	3.0 - 5.0

4	MALE BACK SEAL	1	RUST RED
3	MALE REAR COVER	1	BLACK
2	MALE FRONT COVER	1	GREEN
1	MALE HOUSING	1	BLACK
No.	DESCRIPTION	QTY	COLOUR
BILL OF MATERIAL			



TERMINAL POSITION G3

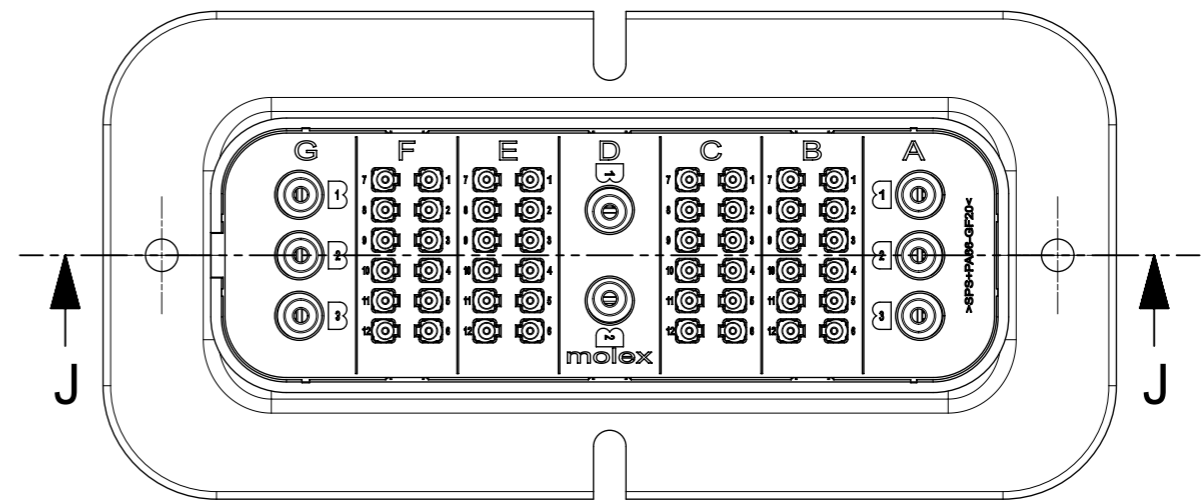
17.8 REF.

TERMINAL POSITION A3

TERMINAL POSITION G1

11.0 REF.

TERMINAL POSITION A1

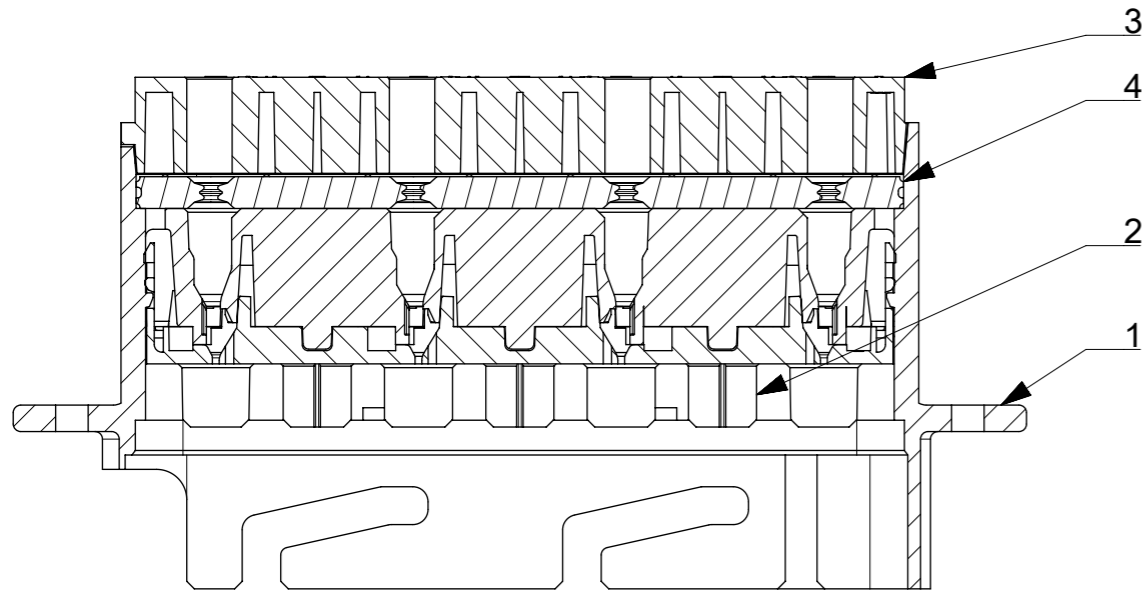


NOTES:

1. REFERENCE SHEET 1 FOR UNSPECIFIED NOTES AND DIMENSIONS
2. MX150 BLADE TERMINALS PER SD-33000-001 TO BE USED WITH THIS ASSEMBLY IN CAVITIES B, C, E AND F, CRIMPED WITH CABLE INSULATION OUTER DIAMETER IN THE RANGE 1.5mm TO 2.7mm
3. MX150L BLADE TERMINALS PER SD-19431-00* TO BE USED WITH THIS ASSEMBLY IN CAVITIES A, D AND G, CRIMPED WITH CABLE INSULATION OUTER DIAMETER IN THE RANGE 3.0mm TO 5.0mm
4. MATES WITH: SRC 48+8ADG POWER RECEPTACLE HOUSING ASSEMBLY (BLACK) PART NUMBER 850844808 PER 850840700 PSD

DIMENSION UNITS		SCALE	CURRENT REV DESC: UPDATED CUT OUT					
mm		1:1						
GENERAL TOLERANCES (UNLESS SPECIFIED)			EC NO: 616515			PRODUCT CUSTOMER DRAWING		
ANGULAR TOL ± °			DRWN: AJOBRIEN 2018/05/21			DOCUMENT NUMBER		
4 PLACES ±			CHK'D: JFLETCHER 2019/05/07			DOC TYPE DOC PART REVISION		
3 PLACES ±			APPR: IOCONNELL 2019/06/26			937921000 PSD 000 C		
2 PLACES ± 0.2			INITIAL REVISION:			MATERIAL NUMBER		
1 PLACE ± 0.5			DRWN: AJOBRIEN 2015/08/07			CUSTOMER		
0 PLACES ±			APPR: JDWALLACE 2015/09/03			GENERAL MARKET		
DRAFT WHERE APPLICABLE MUST REMAIN WITHIN DIMENSIONS			THIRD ANGLE PROJECTION			SHEET NUMBER		
			DRAWING			3 OF 16		
			SERIES					
			A3-SIZE					
			93792					
			937924808					

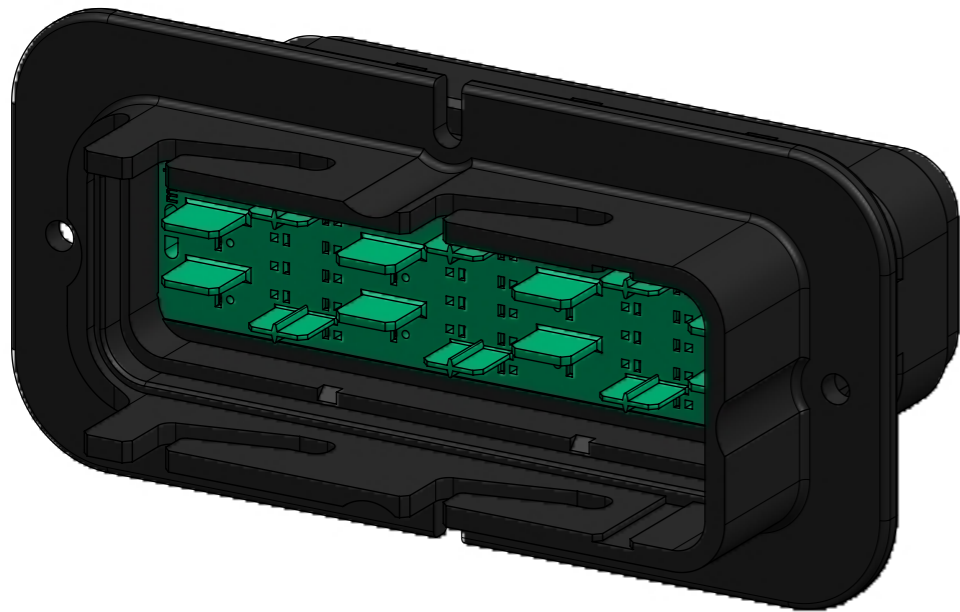
36+12ACEG MAIN HOUSING BLACK



SECTION K-K

ACCEPTABLE CABLE INSULATION Ø RANGES (mm) - NOTES 2 & 3						
CAVITY SET						
G	F	E	D	C	B	A
3.0 - 5.0	1.5 - 2.7	3.0 - 5.0	1.5 - 2.7	3.0 - 5.0	1.5 - 2.7	3.0 - 5.0

4	MALE BACK SEAL	1	RUST RED
3	MALE REAR COVER	1	BLACK
2	MALE FRONT COVER	1	GREEN
1	MALE HOUSING	1	BLACK
No.	DESCRIPTION	QTY	COLOUR
BILL OF MATERIAL			



TERMINAL POSITION G3

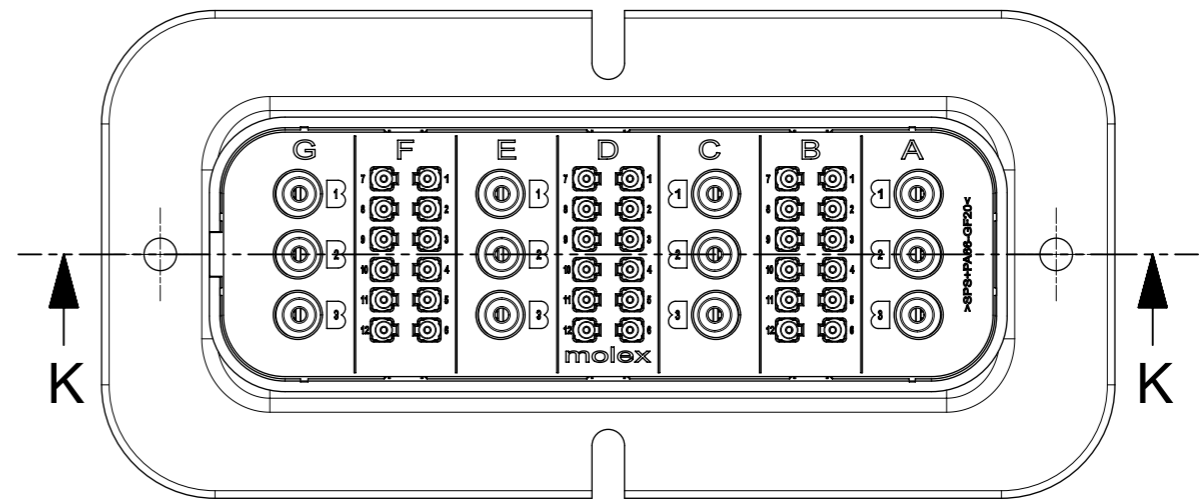
TERMINAL POSITION G1

TERMINAL POSITION A3

TERMINAL POSITION A1

15.0 REF.

15.0 REF.

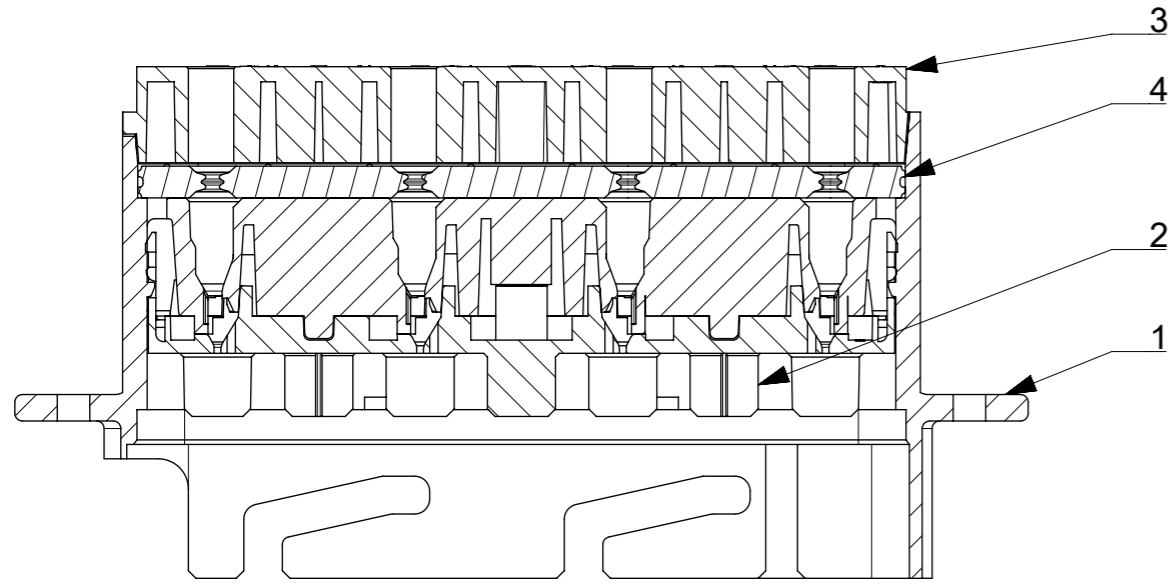


NOTES:

1. REFERENCE SHEET 1 FOR UNSPECIFIED NOTES AND DIMENSIONS
2. MX150 BLADE TERMINALS PER SD-33000-001 TO BE USED WITH THIS ASSEMBLY IN CAVITIES B, D AND F, CRIMPED WITH CABLE INSULATION OUTER DIAMETER IN THE RANGE 1.5mm TO 2.7mm
3. MX150L BLADE TERMINALS PER SD-19431-00* TO BE USED WITH THIS ASSEMBLY IN CAVITIES A, C, E AND G, CRIMPED WITH CABLE INSULATION OUTER DIAMETER IN THE RANGE 3.0mm TO 5.0mm
4. MATES WITH: SRC 36+12ACEG POWER RECEPTACLE HOUSING ASSEMBLY (BLACK) PART NUMBER 850843612 PER 850840700 PSD

THIS DRAWING CONTAINS INFORMATION THAT IS PROPRIETARY TO MOLEX ELECTRONIC TECHNOLOGIES, LLC AND SHOULD NOT BE USED WITHOUT WRITTEN PERMISSION		CURRENT REV DESC: UPDATED CUT OUT		molex	
DIMENSION UNITS	SCALE				
mm	1:1			SRC MIXED POWER MALE BLADE HOUSING ASSEMBLY	
GENERAL TOLERANCES (UNLESS SPECIFIED)					
ANGULAR TOL	± °			PRODUCT CUSTOMER DRAWING	
4 PLACES	±				
3 PLACES	±			DOCUMENT NUMBER: 937921000 DOC TYPE: PSD DOC PART: 000 REVISION: C	
2 PLACES	± 0.2				
1 PLACE	± 0.5			MATERIAL NUMBER: 937923612 CUSTOMER: GENERAL MARKET SHEET NUMBER: 4 OF 16	
0 PLACES	±				
DRAFT WHERE APPLICABLE MUST REMAIN WITHIN DIMENSIONS		THIRD ANGLE PROJECTION	DRAWING	SERIES	
			A3-SIZE	93792	

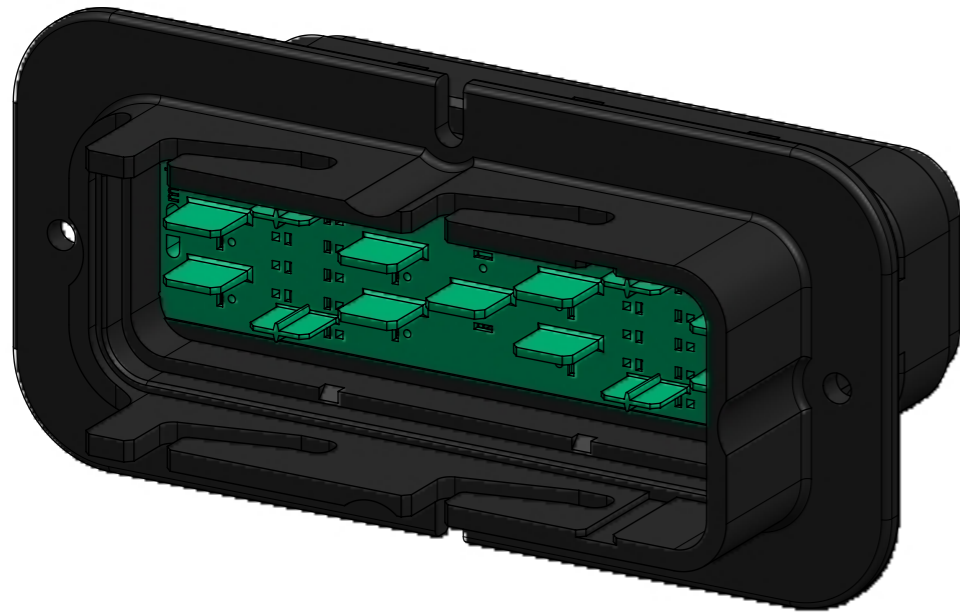
24+14ACDEG MAIN HOUSING BLACK



SECTION L-L

ACCEPTABLE CABLE INSULATION Ø RANGES (mm) - NOTES 2 & 3						
CAVITY SET						
G	F	E	D	C	B	A
3.0 - 5.0	1.5 - 2.7	3.0 - 5.0	3.0 - 5.0	3.0 - 5.0	1.5 - 2.7	3.0 - 5.0

4	MALE BACK SEAL	1	RUST RED
3	MALE REAR COVER	1	BLACK
2	MALE FRONT COVER	1	GREEN
1	MALE HOUSING	1	BLACK
No.	DESCRIPTION	QTY	COLOUR
BILL OF MATERIAL			

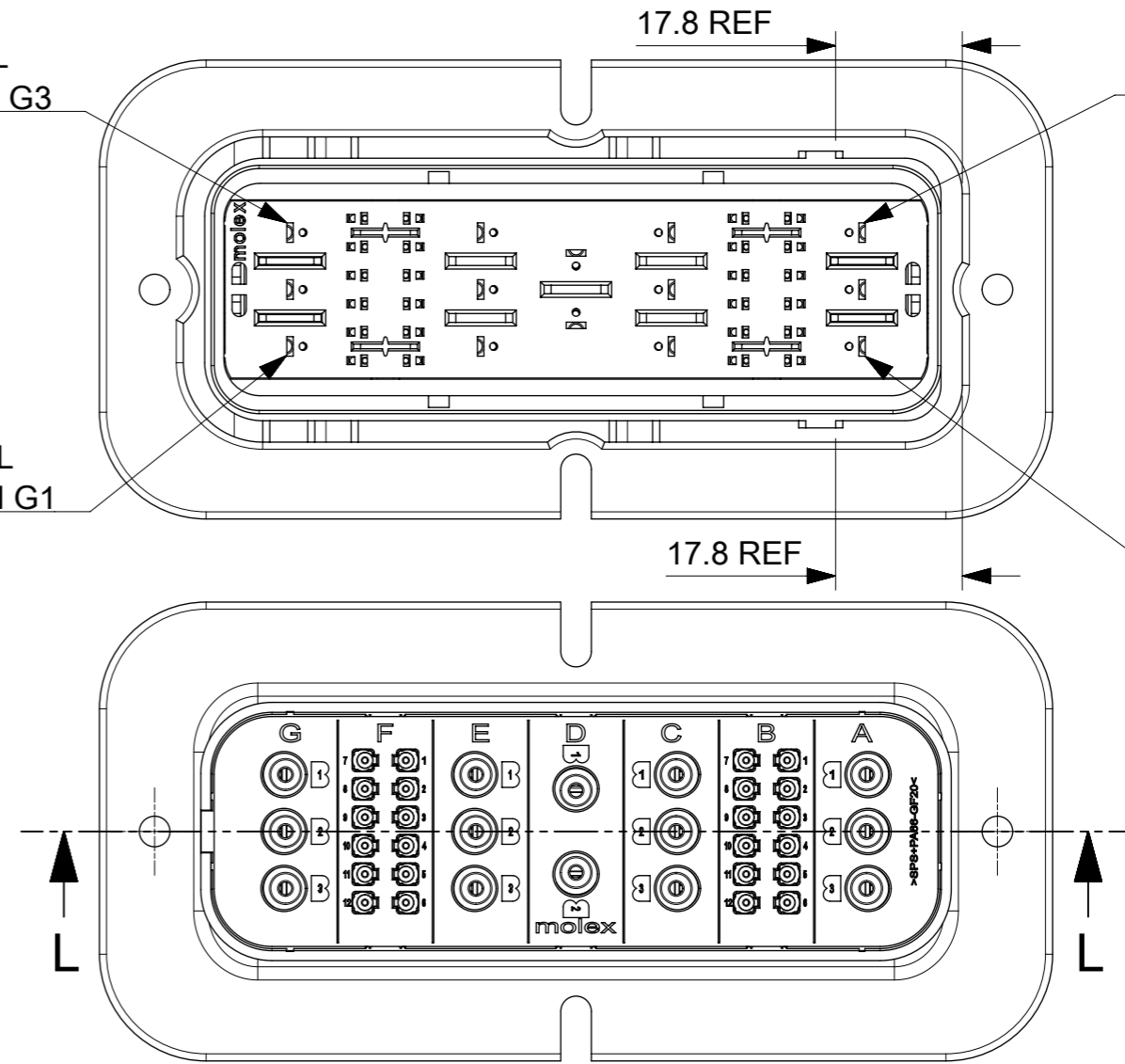


TERMINAL POSITION G3

TERMINAL POSITION G1

TERMINAL POSITION A3

TERMINAL POSITION A1

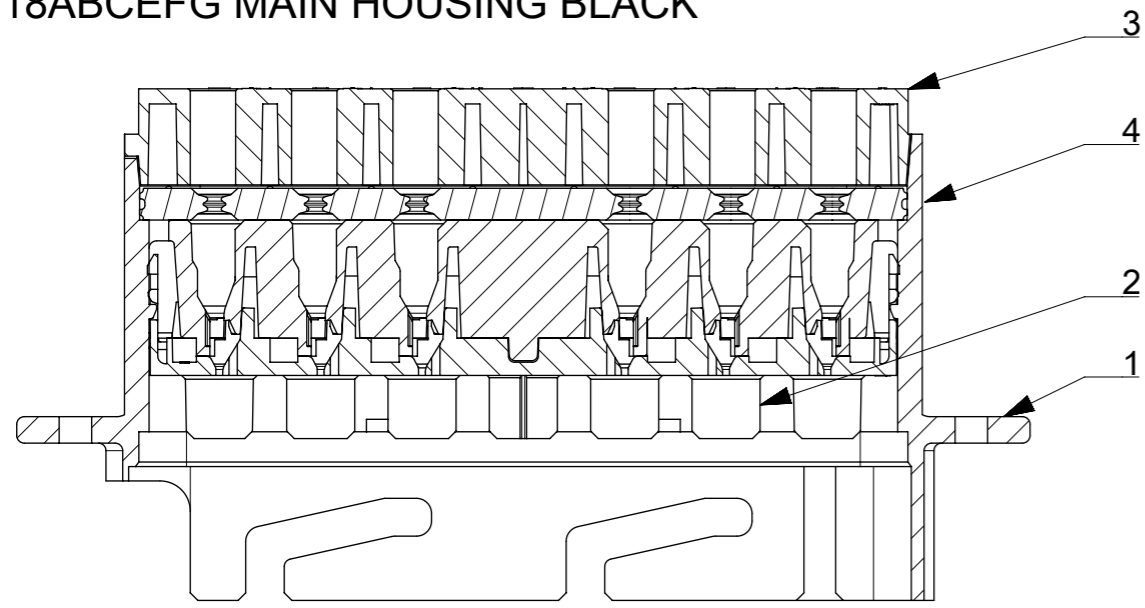


NOTES:

1. REFERENCE SHEET 1 FOR UNSPECIFIED NOTES AND DIMENSIONS
2. MX150 BLADE TERMINALS PER SD-33000-001 TO BE USED WITH THIS ASSEMBLY IN CAVITIES B AND F, CRIMPED WITH CABLE INSULATION OUTER DIAMETER IN THE RANGE 1.5mm TO 2.7mm
3. MX150L BLADE TERMINALS PER SD-19431-00* TO BE USED WITH THIS ASSEMBLY IN CAVITIES A, C, D, E AND G, CRIMPED WITH CABLE INSULATION OUTER DIAMETER IN THE RANGE 3.0mm TO 5.0mm
4. MATES WITH: SRC 24+14ACDEG POWER RECEPTACLE HOUSING ASSEMBLY (BLACK) PART NUMBER 850842414 PER 850840700 PSD

THIS DRAWING CONTAINS INFORMATION THAT IS PROPRIETARY TO MOLEX ELECTRONIC TECHNOLOGIES, LLC AND SHOULD NOT BE USED WITHOUT WRITTEN PERMISSION									
DIMENSION UNITS		SCALE		CURRENT REV DESC: UPDATED CUT OUT				molex	
mm		1:1							
GENERAL TOLERANCES (UNLESS SPECIFIED)				EC NO: 616515				SRC MIXED POWER MALE BLADE HOUSING ASSEMBLY	
ANGULAR TOL ± °				DRWN: AJOBRIEN 2018/05/21					
4 PLACES ±				CHK'D: JFLETCHER 2019/05/07				PRODUCT CUSTOMER DRAWING	
3 PLACES ±				APPR: IOCONNELL 2019/06/26					
2 PLACES ± 0.2				INITIAL REVISION:				DOCUMENT NUMBER	
1 PLACE ± 0.5				DRWN: AJOBRIEN 2015/08/07					
0 PLACES ±				APPR: JDWALLACE 2015/09/03				937921000	
DRAFT WHERE APPLICABLE MUST REMAIN WITHIN DIMENSIONS		THIRD ANGLE PROJECTION		DRAWING		SERIES		MATERIAL NUMBER	
				A3-SIZE		93792		937922414	
						CUSTOMER		SHEET NUMBER	
						GENERAL MARKET		5 OF 16	

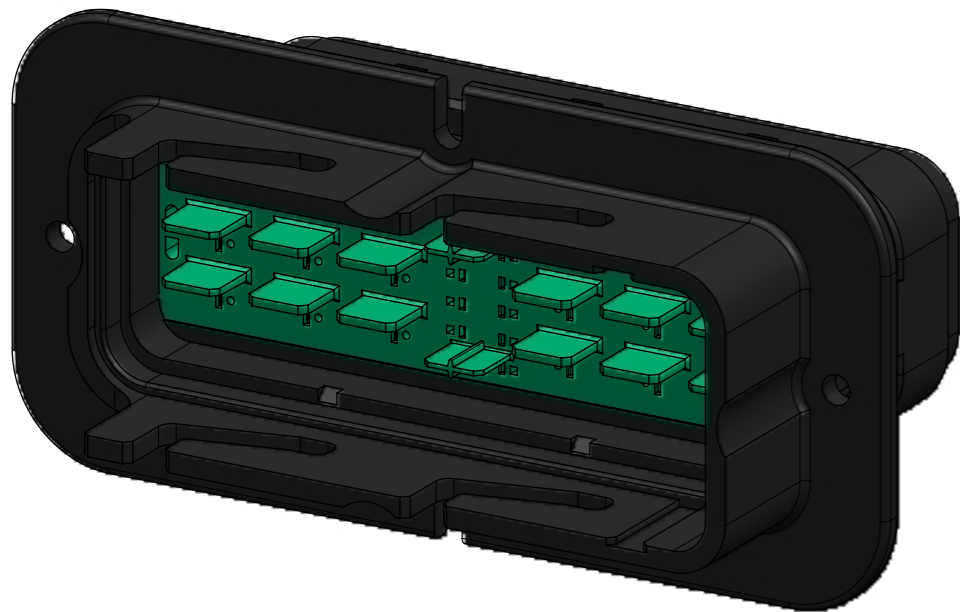
12+18ABCEFG MAIN HOUSING BLACK



SECTION M-M

ACCEPTABLE CABLE INSULATION Ø RANGES (mm) - NOTES 2 & 3						
CAVITY SET						
G	F	E	D	C	B	A
3.0 - 5.0	3.0 - 5.0	3.0 - 5.0	1.5 - 2.7	3.0 - 5.0	3.0 - 5.0	3.0 - 5.0

No.	DESCRIPTION	QTY	COLOUR
4	MALE BACK SEAL	1	RUST RED
3	MALE REAR COVER	1	BLACK
2	MALE FRONT COVER	1	GREEN
1	MALE HOUSING	1	BLACK
BILL OF MATERIAL			



TERMINAL POSITION G3

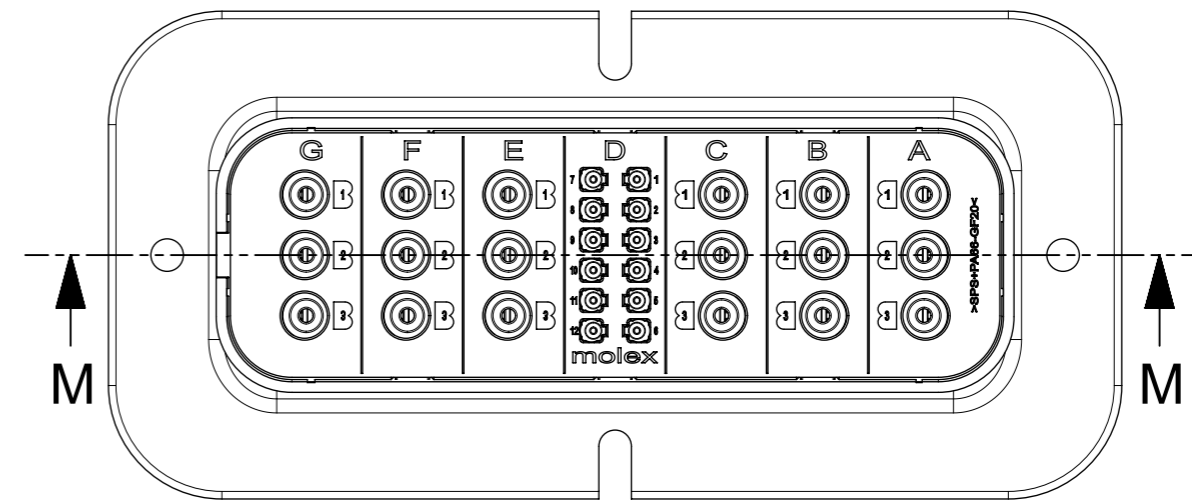
TERMINAL POSITION G1

15.0 REF

13.0 REF

TERMINAL POSITION A3

TERMINAL POSITION A1

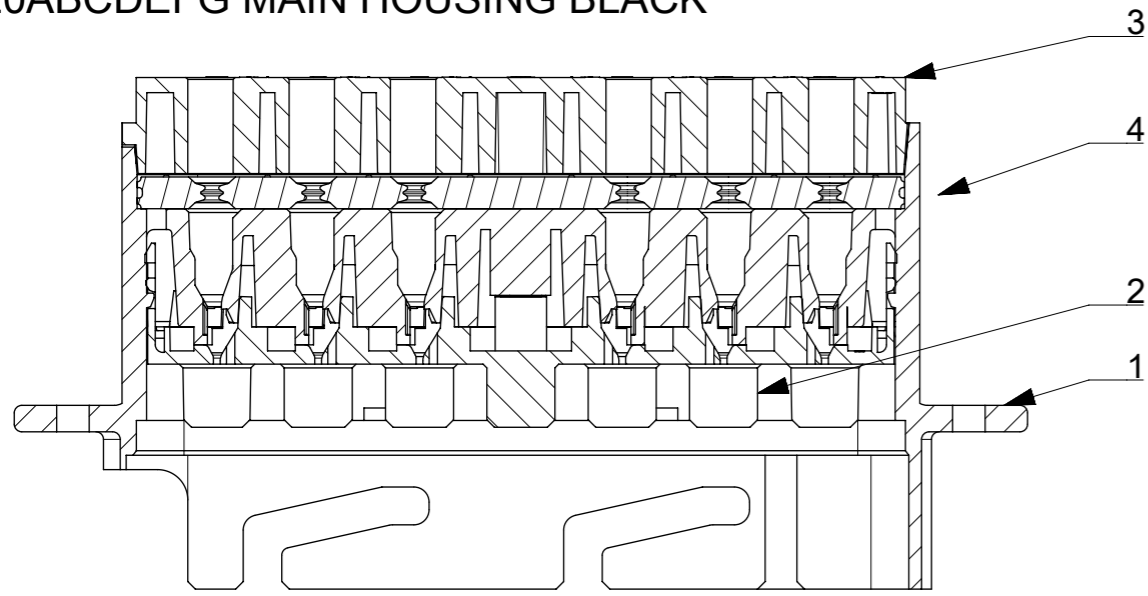


NOTES:

1. REFERENCE SHEET 1 FOR UNSPECIFIED NOTES AND DIMENSIONS
2. MX150 BLADE TERMINALS PER SD-33000-001 TO BE USED WITH THIS ASSEMBLY IN CAVITY D CRIMPED, WITH CABLE INSULATION OUTER DIAMETER IN THE RANGE 1.5mm TO 2.7mm
3. MX150L BLADE TERMINALS PER SD-19431-00* TO BE USED WITH THIS ASSEMBLY IN CAVITY A, B, C, E, F AND G, CRIMPED WITH CABLE INSULATION OUTER DIAMETER IN THE RANGE 3.0mm TO 5.0mm
4. MATES WITH: SRC 12+18ABCEFG POWER RECEPTACLE HOUSING ASSEMBLY (BLACK) PART NUMBER 850841218 PER 850840700 PSD

THIS DRAWING CONTAINS INFORMATION THAT IS PROPRIETARY TO MOLEX ELECTRONIC TECHNOLOGIES, LLC AND SHOULD NOT BE USED WITHOUT WRITTEN PERMISSION		CURRENT REV DESC: UPDATED CUT OUT				
DIMENSION UNITS	SCALE					
mm	1:1			SRC MIXED POWER MALE BLADE HOUSING ASSEMBLY		
GENERAL TOLERANCES (UNLESS SPECIFIED)		EC NO: 616515		PRODUCT CUSTOMER DRAWING		
ANGULAR TOL	± °	DRWN: AJOBRIEN 2018/05/21		DOCUMENT NUMBER		
4 PLACES	±	CHK'D: JFLETCHER 2019/05/07		937921000		
3 PLACES	±	APPR: IOCONNELL 2019/06/26		DOC TYPE		
2 PLACES	± 0.2	INITIAL REVISION:		PSD		
1 PLACE	± 0.5	DRWN: AJOBRIEN 2015/08/07		DOC PART		
0 PLACES	±	APPR: JDWALLACE 2015/09/03		000		
DRAFT WHERE APPLICABLE MUST REMAIN WITHIN DIMENSIONS		THIRD ANGLE PROJECTION	DRAWING	SERIES	MATERIAL NUMBER	CUSTOMER
			A3-SIZE	93792	937921218	GENERAL MARKET
						SHEET NUMBER
						6 OF 16

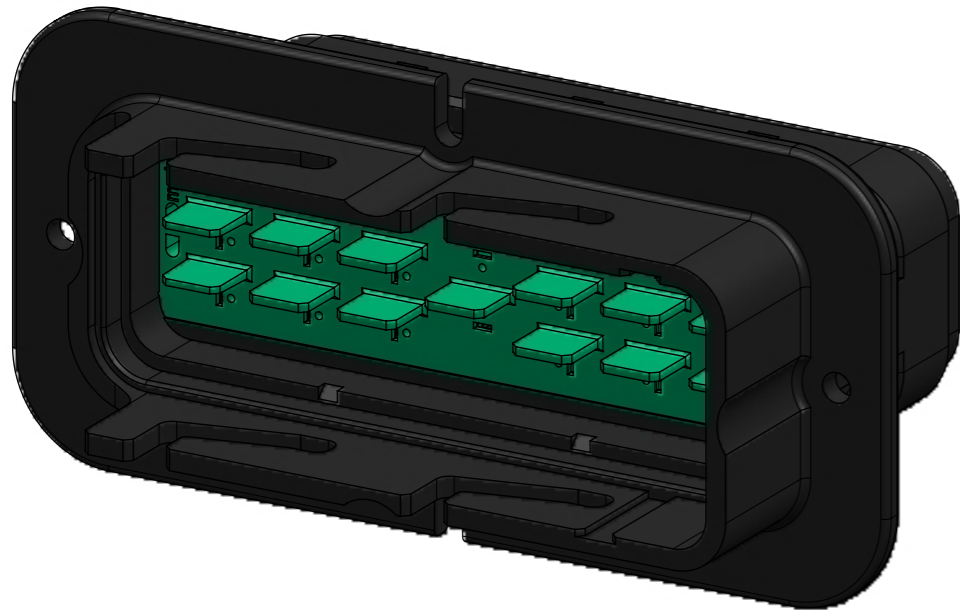
0+20ABCDEFG main HOUSING BLACK



SECTION N-N

ACCEPTABLE CABLE INSULATION Ø RANGES (mm) - NOTE 2						
CAVITY SET						
G	F	E	D	C	B	A
3.0 - 5.0	3.0 - 5.0	3.0 - 5.0	3.0 - 5.0	3.0 - 5.0	3.0 - 5.0	3.0 - 5.0

4	MALE BACK SEAL	1	RUST RED
3	MALE REAR COVER	1	BLACK
2	MALE FRONT COVER	1	GREEN
1	MALE HOUSING	1	BLACK
No.	DESCRIPTION	QTY	COLOUR
BILL OF MATERIAL			



TERMINAL POSITION G3

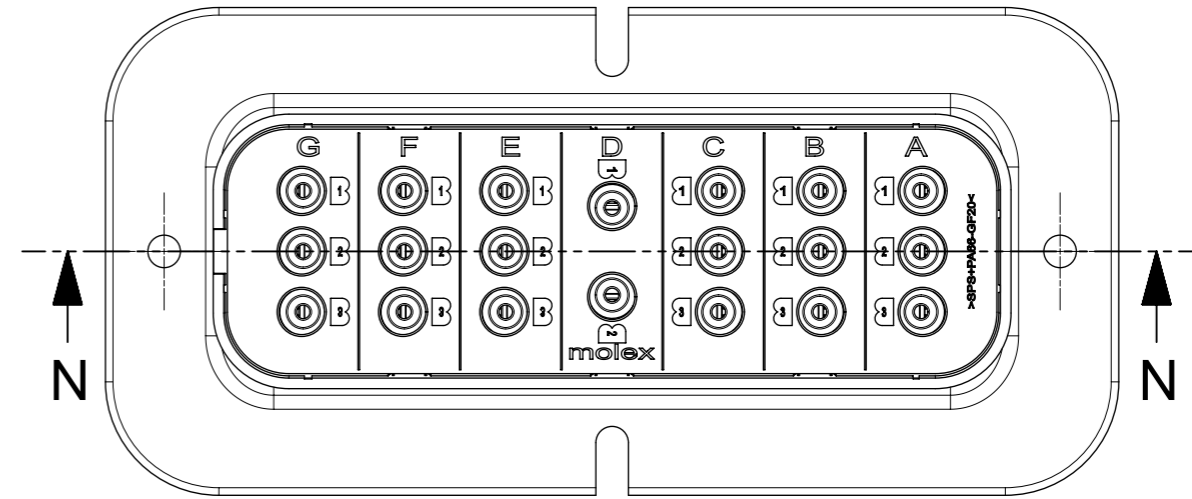
TERMINAL POSITION G1

11.00 REF

TERMINAL POSITION A3

TERMINAL POSITION A1

17.80 REF

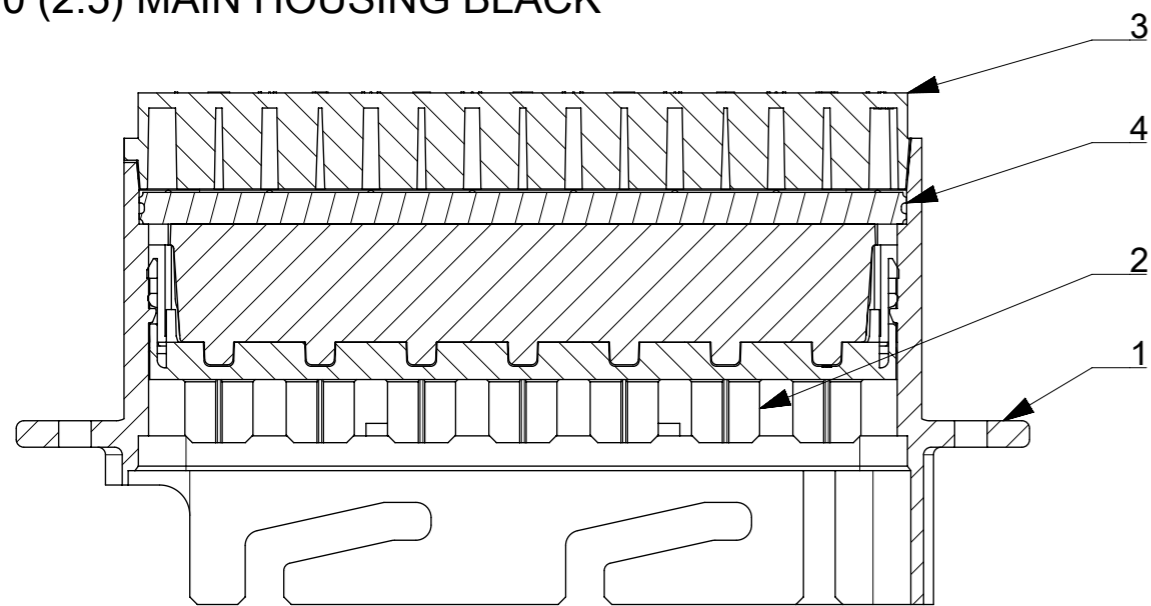


NOTES:

1. REFERENCE SHEET 1 FOR UNSPECIFIED NOTES AND DIMENSIONS
2. MX150L BLADE TERMINALS PER SD-19431-00* TO BE USED WITH THIS ASSEMBLY IN ALL CAVITIES CRIMPED WITH CABLE INSULATION OUTER DIAMETER IN THE RANGE 3.0mm TO 5.0mm
3. MATES WITH: SRC 0+20ABCDEFG POWER RECEPTACLE HOUSING ASSEMBLY (BLACK) PART NUMBER 850840020 PER 850840700 PSD

THIS DRAWING CONTAINS INFORMATION THAT IS PROPRIETARY TO MOLEX ELECTRONIC TECHNOLOGIES, LLC AND SHOULD NOT BE USED WITHOUT WRITTEN PERMISSION									
DIMENSION UNITS		SCALE		CURRENT REV DESC: UPDATED CUT OUT				molex	
mm		1:1							
GENERAL TOLERANCES (UNLESS SPECIFIED)				EC NO: 616515				SRC MIXED POWER MALE BLADE HOUSING ASSEMBLY	
ANGULAR TOL ± °				DRWN: AJOBRIEN 2018/05/21					
4 PLACES ±				CHK'D: JFLETCHER 2019/05/07				PRODUCT CUSTOMER DRAWING	
3 PLACES ±				APPR: IOCONNELL 2019/06/26					
2 PLACES ± 0.2				INITIAL REVISION:				DOCUMENT NUMBER	
1 PLACE ± 0.5				DRWN: AJOBRIEN 2015/08/07					
0 PLACES ±				APPR: JDWALLACE 2015/09/03				937921000	
DRAFT WHERE APPLICABLE MUST REMAIN WITHIN DIMENSIONS				THIRD ANGLE PROJECTION		DRAWING			
DOCUMENT STATUS		RELEASE DATE		SERIES		MATERIAL NUMBER		CUSTOMER	
P1		2019/06/26 12:45:57		A3-SIZE 93792		937920020		GENERAL MARKET	
								SHEET NUMBER	
								7 OF 16	

84+0 (2.5) MAIN HOUSING BLACK



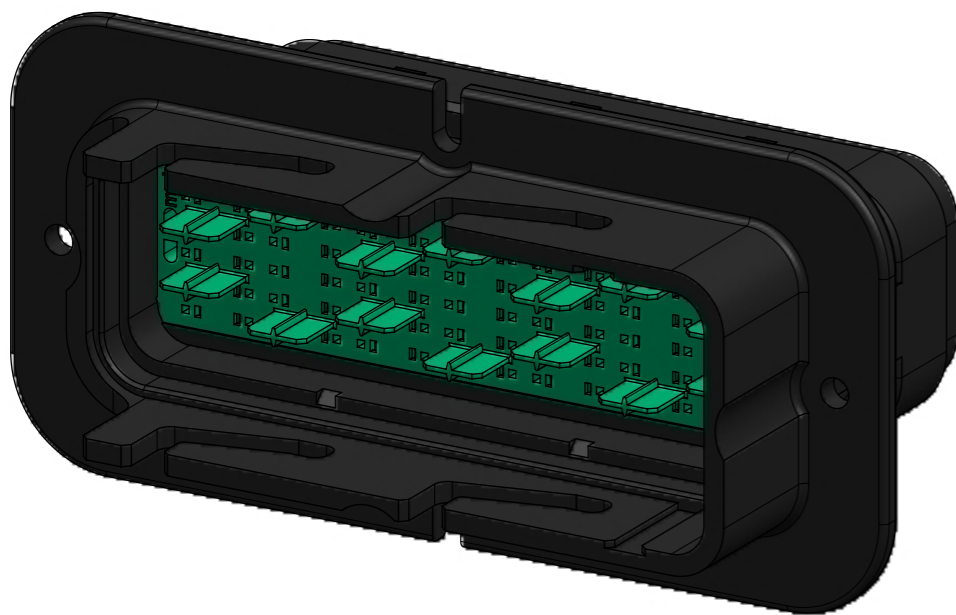
SECTION P-P

ACCEPTABLE CABLE INSULATION Ø RANGES (mm) - NOTES 2 & 3
(COMBINATIONS OF CABLES PER NOTES 2 & 3 ALLOWED IN B & F)

CAVITY SET

G	F	E	D	C	B	A
1.5 - 2.7	1.5 - 3.0	1.5 - 2.7	1.5 - 2.7	1.5 - 2.7	1.5 - 3.0	1.5 - 2.7

No.	DESCRIPTION	QTY	COLOUR
4	MALE BACK SEAL	1	RUST RED
3	MALE REAR COVER	1	BLACK
2	MALE FRONT COVER	1	GREEN
1	MALE HOUSING	1	BLACK
BILL OF MATERIAL			



TERMINAL POSITION G12

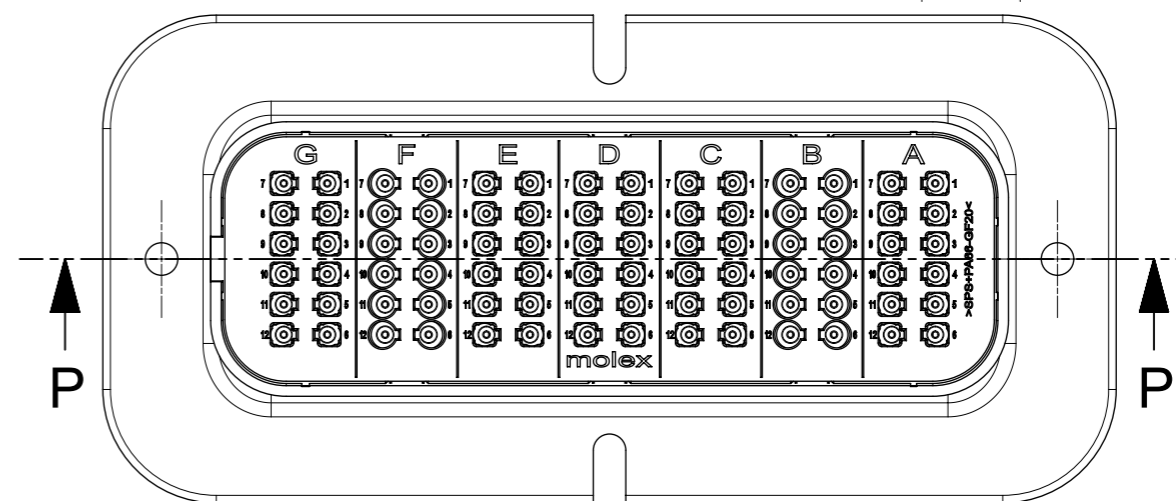
TERMINAL POSITION G7

17.8 REF

13.0 REF

TERMINAL POSITION A6

TERMINAL POSITION A1

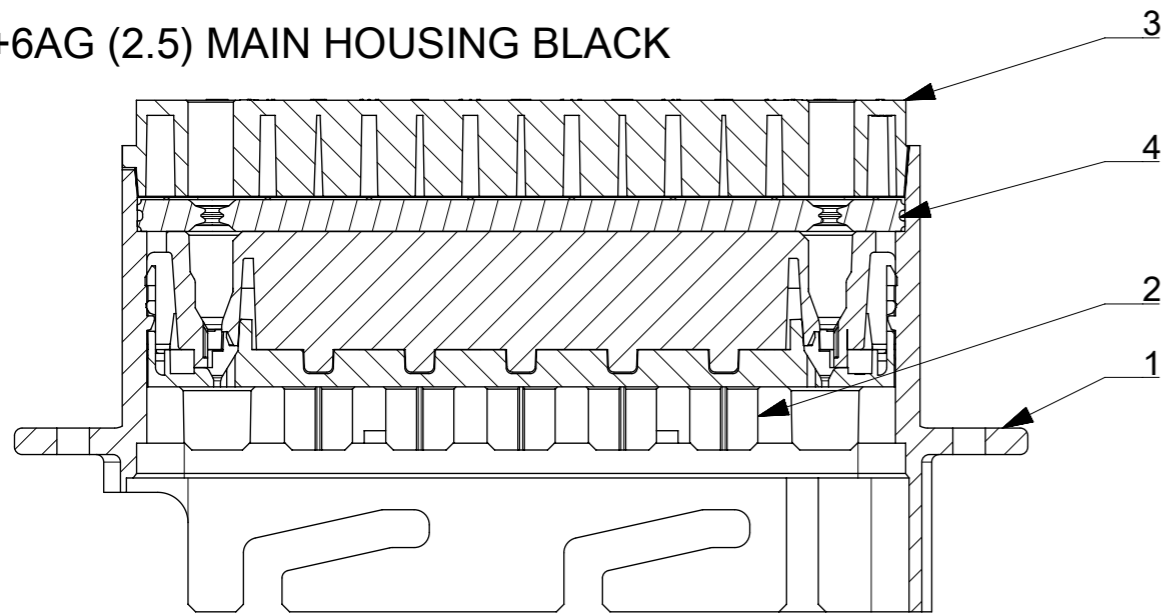


NOTES:

1. REFERENCE SHEET ONE FOR UNSPECIFIED NOTES AND DIMENSIONS
2. MX150 BLADE TERMINAL PER SD-33000-001 TO BE USED WITH THIS ASSEMBLY IN ALL CAVITIES, CRIMPED WITH CABLE INSULATION OUTER DIAMETER IN THE RANGE 1.5mm TO 2.7mm
3. SRC BLADE TERMINALS PER 936420010 PSD MAY BE USED WITH THIS ASSEMBLY IN CAVITIES B AND F CRIMPED WITH 2.5mm² (13AWG) CABLE INSULATION OUTER DIAMETER IN THE RANGE 2.7mm TO 3.0mm
4. MATES WITH: SRC2 84 PIN 2.5 RECEPTACLE HOUSING ASSEMBLY (BLACK) PART NUMBER 932878425 PER 932870001 PSD

THIS DRAWING CONTAINS INFORMATION THAT IS PROPRIETARY TO MOLEX ELECTRONIC TECHNOLOGIES, LLC AND SHOULD NOT BE USED WITHOUT WRITTEN PERMISSION		CURRENT REV DESC: UPDATED CUT OUT		molex		
DIMENSION UNITS	SCALE					
mm	1:1			SRC MIXED POWER MALE BLADE HOUSING ASSEMBLY		
GENERAL TOLERANCES (UNLESS SPECIFIED)						
ANGULAR TOL	± °			PRODUCT CUSTOMER DRAWING		
4 PLACES	±					
3 PLACES	±			DOCUMENT NUMBER: 937921000 DOC TYPE: PSD DOC PART: 000 REVISION: C		
2 PLACES	± 0.2					
1 PLACE	± 0.5			MATERIAL NUMBER: 937928425 CUSTOMER: GENERAL MARKET SHEET NUMBER: 8 OF 16		
0 PLACES	±					
DRAFT WHERE APPLICABLE MUST REMAIN WITHIN DIMENSIONS		THIRD ANGLE PROJECTION	DRAWING	SERIES		
			A3-SIZE	93792		

60+6AG (2.5) MAIN HOUSING BLACK

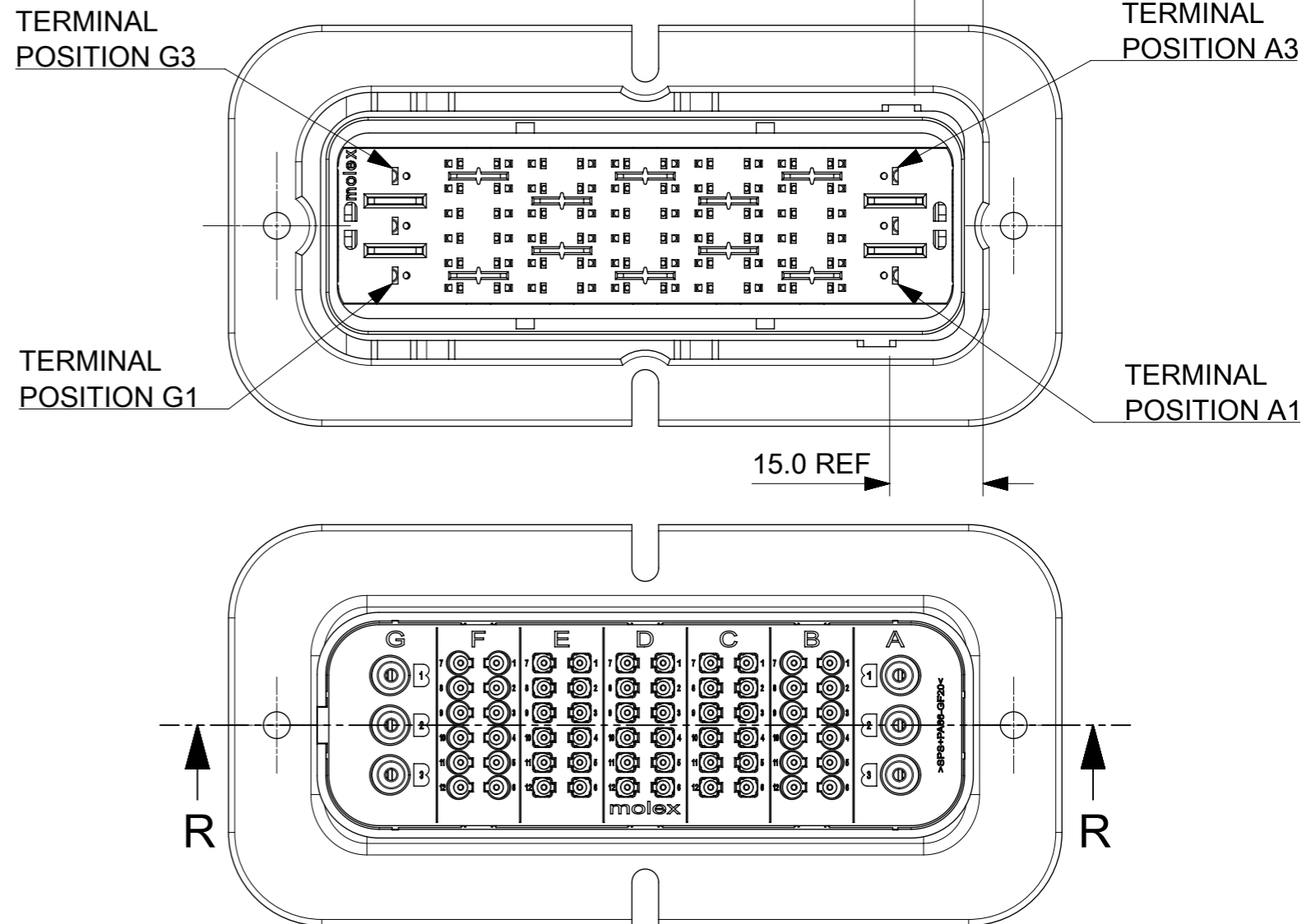
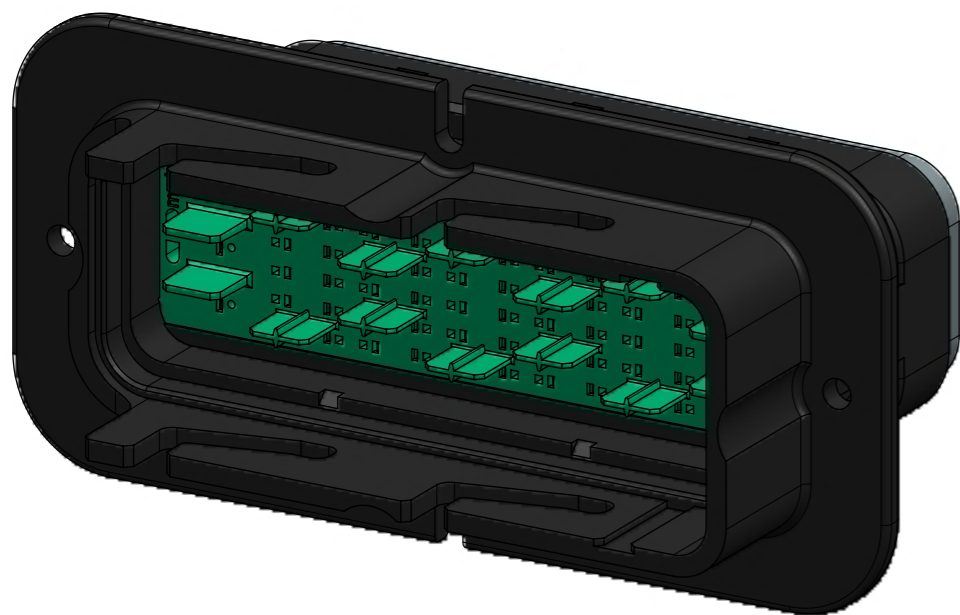


SECTION R-R

ACCEPTABLE CABLE INSULATION Ø RANGES (mm) - NOTES 2, 3 & 4
(COMBINATIONS OF CABLES PER NOTES 2 & 3 ALLOWED IN B & F)

CAVITY SET						
G	F	E	D	C	B	A
3.0 - 5.0	1.5 - 3.0	1.5 - 2.7	1.5 - 2.7	1.5 - 2.7	1.5 - 3.0	3.0 - 5.0

No.	DESCRIPTION	QTY	COLOUR
4	MALE BACK SEAL	1	RUST RED
3	MALE REAR COVER	1	BLACK
2	MALE FRONT COVER	1	GREEN
1	MALE HOUSING	1	BLACK
BILL OF MATERIAL			

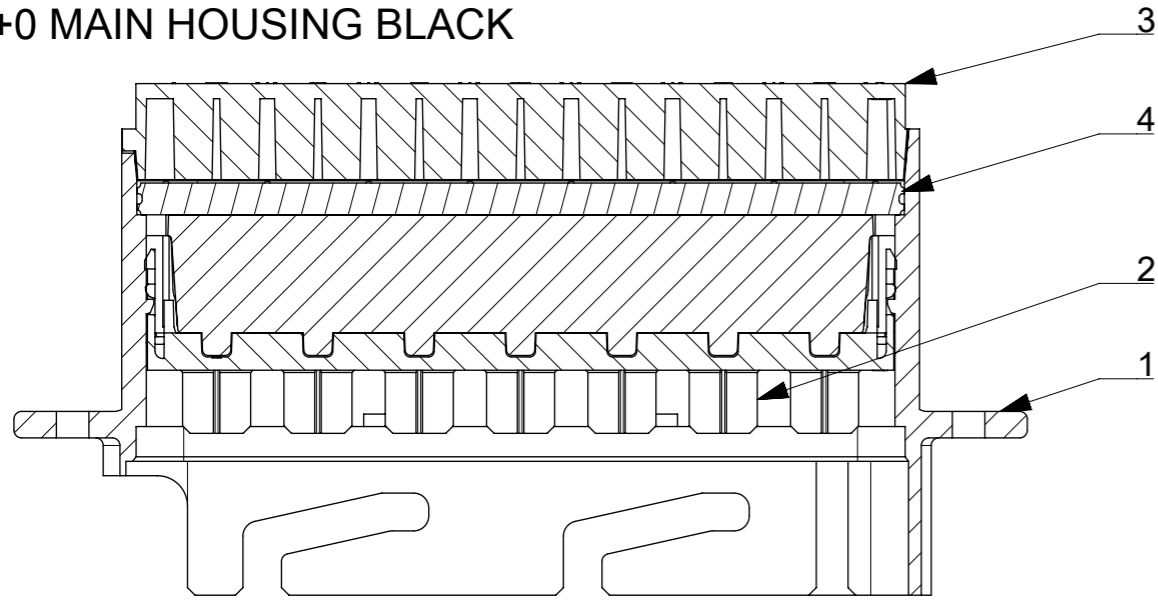


NOTES:

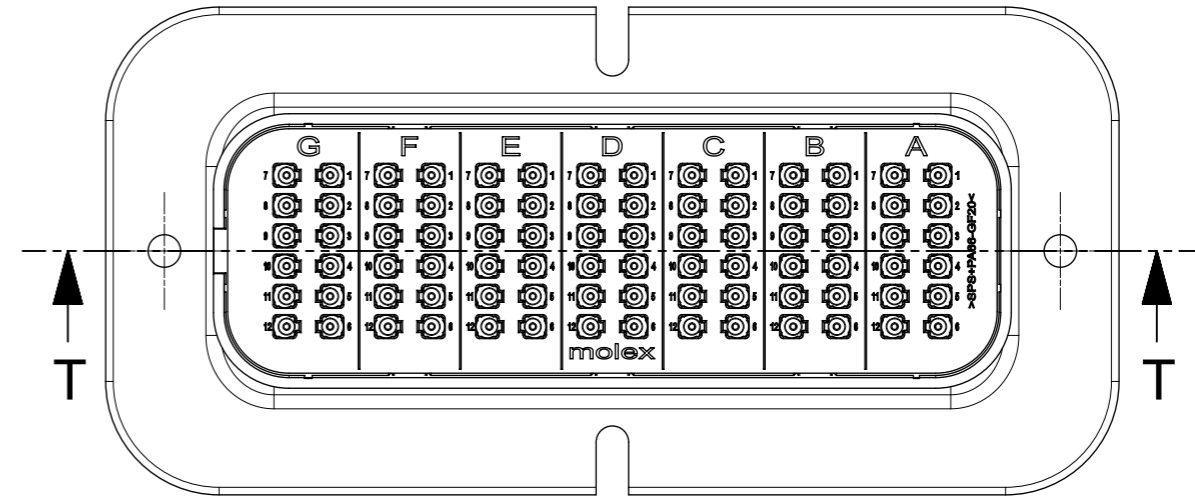
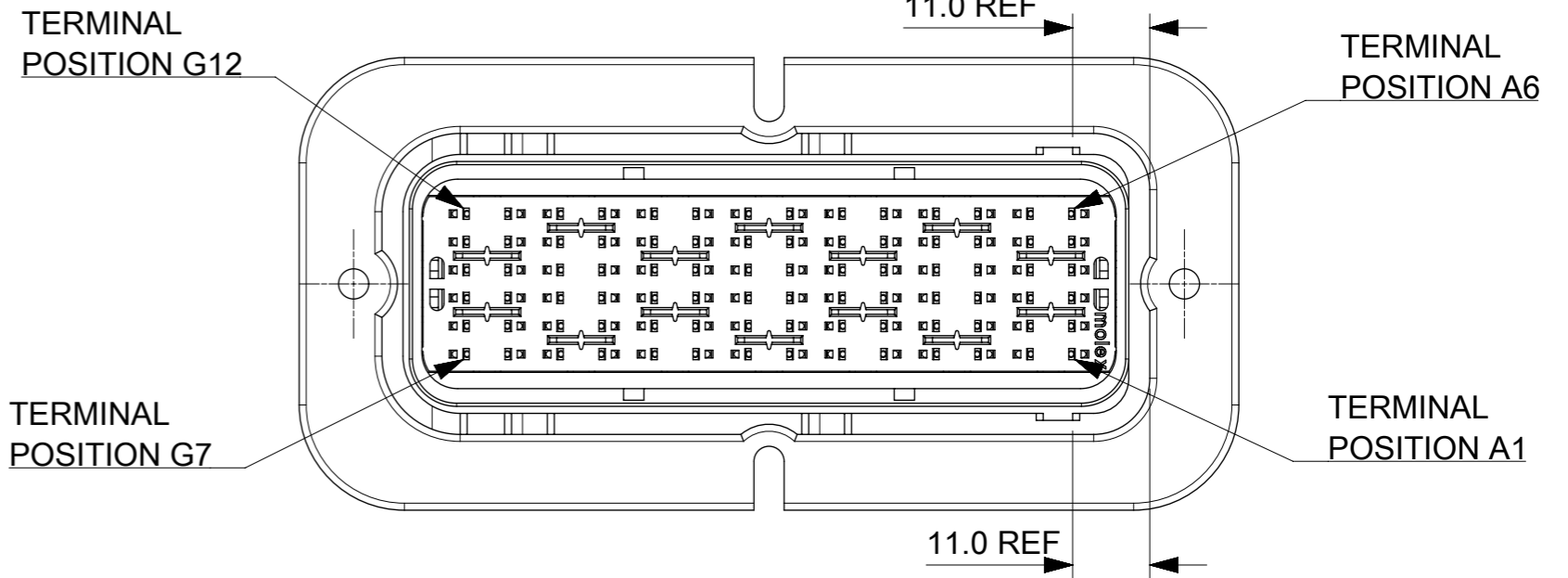
- REFERENCE SHEET 1 FOR UNSPECIFIED NOTES AND DIMENSIONS
- MX150 BLADE TERMINALS PER SD-33000-001 TO BE USED WITH THIS ASSEMBLY IN CAVITIES B, C, D, E AND F, CRIMPED WITH CABLE INSULATION OUTER DIAMETER IN THE RANGE 1.5mm TO 2.7mm
- SRC BLADE TERMINALS PER 936420010 PSD MAY BE USED WITH THIS ASSEMBLY IN CAVITIES B AND F, CRIMPED WITH 2.5mm² (13AWG) CABLE INSULATION OUTER DIAMETER IN THE RANGE 2.7mm TO 3.0mm
- MX150L BLADE TERMINALS PER SD-19431-00* TO BE USED WITH THIS ASSEMBLY IN CAVITIES A AND G, CRIMPED WITH CABLE INSULATION OUTER DIAMETER IN THE RANGE 3.0mm TO 5.0mm
- MATES WITH: SRC 60+6AG POWER 2.5 RECEPTACLE HOUSING ASSEMBLY (BLACK) PART NUMBER 850846025 PER 850840700 PSD

THIS DRAWING CONTAINS INFORMATION THAT IS PROPRIETARY TO MOLEX ELECTRONIC TECHNOLOGIES, LLC AND SHOULD NOT BE USED WITHOUT WRITTEN PERMISSION		CURRENT REV DESC: UPDATED CUT OUT		molex	
DIMENSION UNITS	SCALE				
mm	1:1			SRC MIXED POWER MALE BLADE HOUSING ASSEMBLY	
GENERAL TOLERANCES (UNLESS SPECIFIED)		EC NO: 616515		PRODUCT CUSTOMER DRAWING	
ANGULAR TOL	± °	DRWN: AJOBRIEN 2018/05/21		DOCUMENT NUMBER	
4 PLACES	±	CHK'D: JFLETCHER 2019/05/07		937921000	
3 PLACES	±	APPR: IOCONNELL 2019/06/26		DOC TYPE	
2 PLACES	± 0.2	INITIAL REVISION:		PSD	
1 PLACE	± 0.5	DRWN: AJOBRIEN 2015/08/07		DOC PART	
0 PLACES	±	APPR: JDWALLACE 2015/09/03		000	
DRAFT WHERE APPLICABLE MUST REMAIN WITHIN DIMENSIONS		THIRD ANGLE PROJECTION	DRAWING	SERIES	MATERIAL NUMBER
			A3-SIZE	93792	937926025
		CUSTOMER	SHEET NUMBER		
		GENERAL MARKET	9 OF 16		

84+0 MAIN HOUSING BLACK

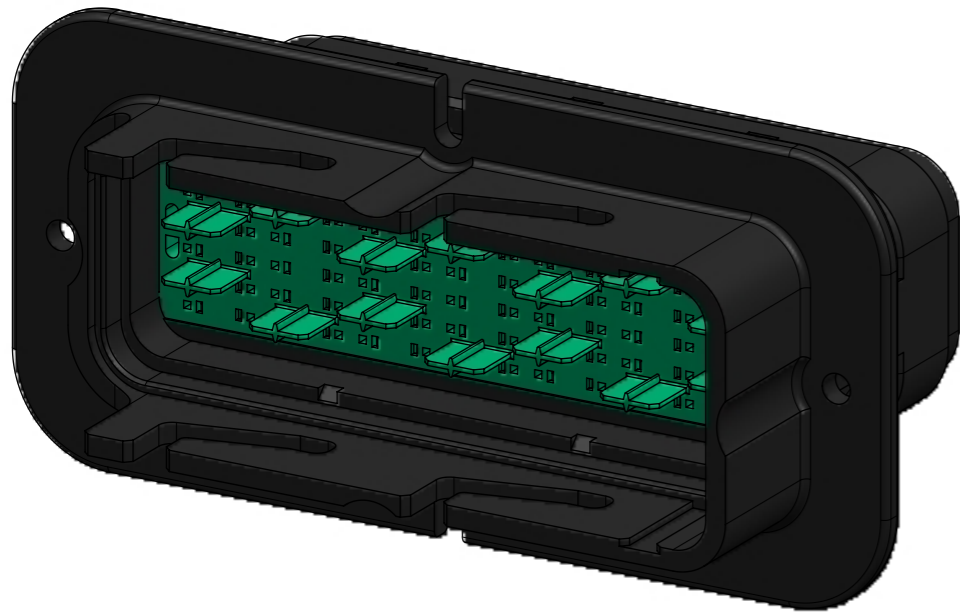


SECTION T-T



ACCEPTABLE CABLE INSULATION Ø RANGES (mm) - NOTE 2						
CAVITY SET						
G	F	E	D	C	B	A
1.5 - 2.7	1.5 - 2.7	1.5 - 2.7	1.5 - 2.7	1.5 - 2.7	1.5 - 2.7	1.5 - 2.7

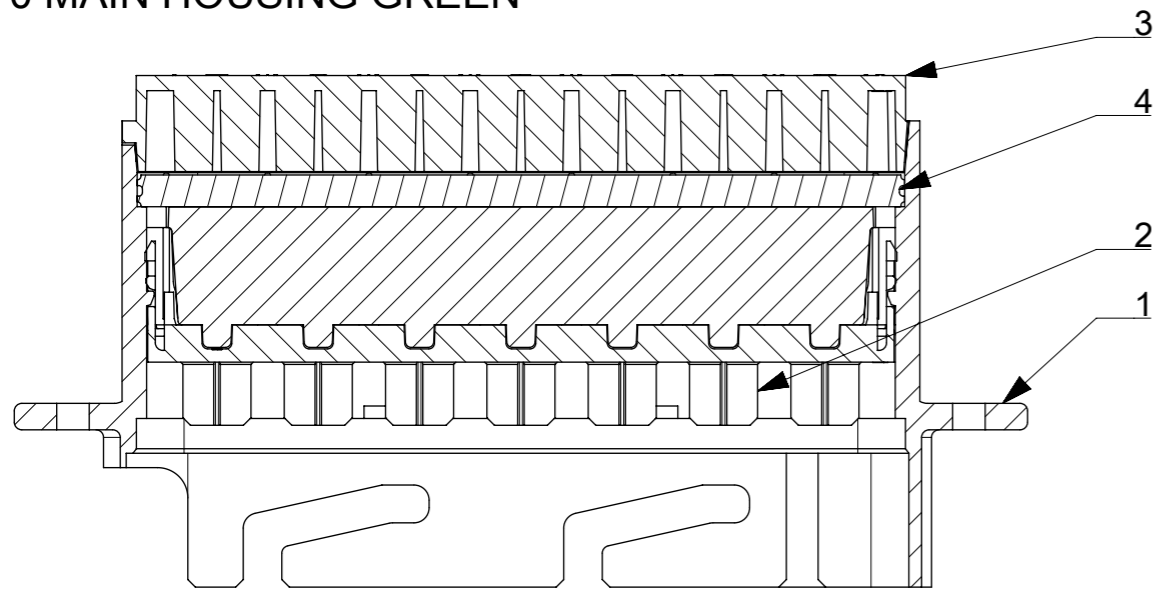
No.	DESCRIPTION	QTY	COLOUR
4	MALE BACK SEAL	1	RUST RED
3	MALE REAR COVER	1	BLACK
2	MALE FRONT COVER	1	GREEN
1	MALE HOUSING	1	BLACK
BILL OF MATERIAL			



- NOTES:
1. REFERENCE SHEET 1 FOR UNSPECIFIED NOTES AND DIMENSIONS
 2. MX150 BLADE TERMINALS PER SD-33000-001 TO BE USED WITH THIS ASSEMBLY IN ALL CAVITIES CRIMPED WITH CABLE INSULATION OUTER DIAMETER IN THE RANGE 1.5mm TO 2.7mm
 3. MATES WITH SRC2 84 PIN RECEPTACLE HOUSING ASSEMBLY (BLACK) PART NUMBER 932870001 PER 932870001 PSD

THIS DRAWING CONTAINS INFORMATION THAT IS PROPRIETARY TO MOLEX ELECTRONIC TECHNOLOGIES, LLC AND SHOULD NOT BE USED WITHOUT WRITTEN PERMISSION									
DIMENSION UNITS	SCALE	CURRENT REV DESC: UPDATED CUT OUT							
mm	1:1	molex							
GENERAL TOLERANCES (UNLESS SPECIFIED)		SRC MIXED POWER MALE BLADE HOUSING ASSEMBLY							
ANGULAR TOL	± °	PRODUCT CUSTOMER DRAWING							
4 PLACES	±	EC NO: 616515	2018/05/21						
3 PLACES	±	DRWN: AJOBRIEN	2019/05/07						
2 PLACES	± 0.2	CHK'D: JFLETCHER	2019/06/26						
1 PLACE	± 0.5	APPR: IOCONNELL	2019/06/26						
0 PLACES	±	INITIAL REVISION:		DOCUMENT NUMBER					
DRAFT WHERE APPLICABLE MUST REMAIN WITHIN DIMENSIONS		DRWN: AJOBRIEN		2015/08/07		937921000		DOC TYPE	DOC PART
THIRD ANGLE PROJECTION		APPR: JDWALLACE		2015/09/03		PSD		000	C
DRAWING		SERIES		MATERIAL NUMBER		CUSTOMER		SHEET NUMBER	
A3-SIZE		93792		937928400		GENERAL MARKET		10 OF 16	

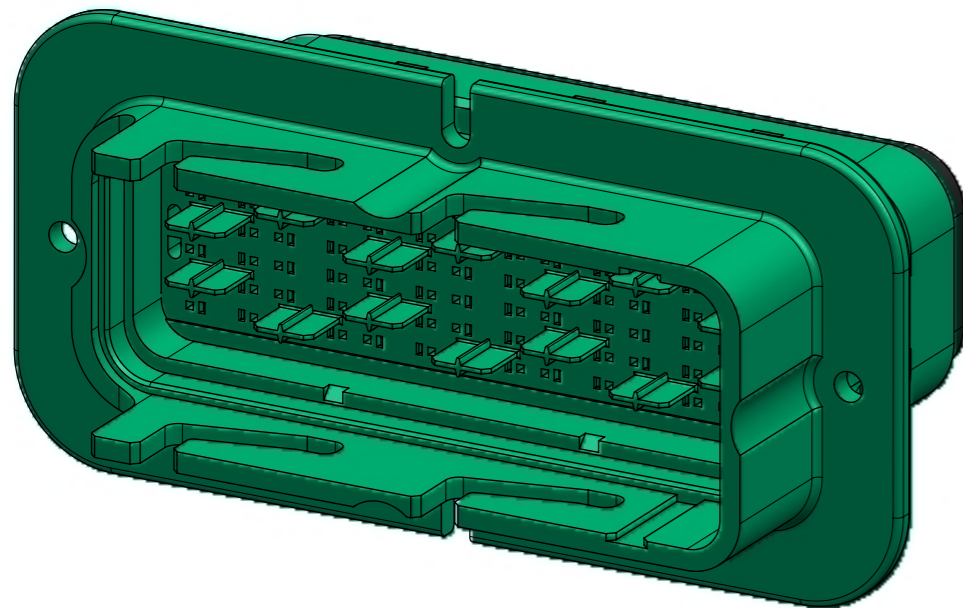
84+0 MAIN HOUSING GREEN



SECTION Y-Y

ACCEPTABLE CABLE INSULATION Ø RANGES (mm) - NOTE 2						
CAVITY SET						
G	F	E	D	C	B	A
1.5 - 2.7	1.5 - 2.7	1.5 - 2.7	1.5 - 2.7	1.5 - 2.7	1.5 - 2.7	1.5 - 2.7

4	MALE BACK SEAL	1	RUST RED
3	MALE REAR COVER	1	BLACK
2	MALE FRONT COVER	1	GREEN
1	MALE HOUSING	1	GREEN
No.	DESCRIPTION	QTY	COLOUR
BILL OF MATERIAL			



TERMINAL POSITION G12

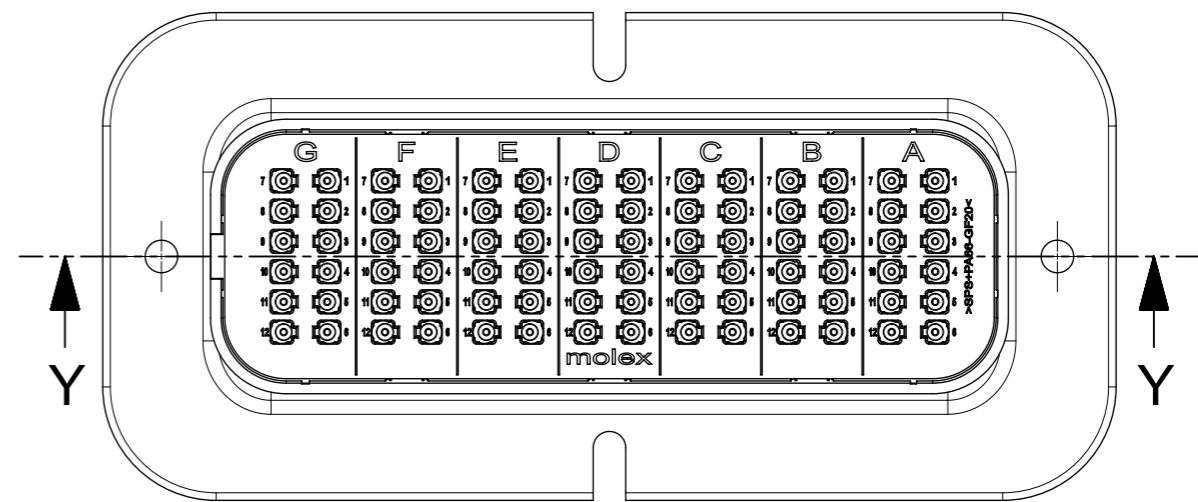
13.0 REF.

TERMINAL POSITION A6

TERMINAL POSITION G7

15.0 REF.

TERMINAL POSITION A1

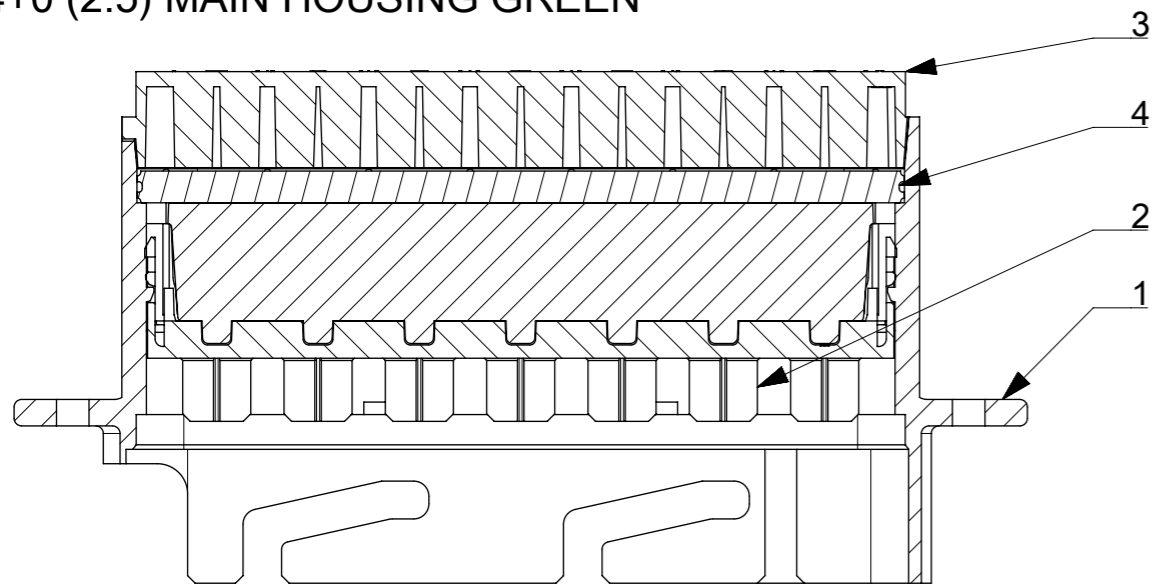


NOTES:

1. REFERENCE SHEET 1 FOR UNSPECIFIED NOTES AND DIMENSIONS
2. MX150 BLADE TERMINALS PER SD-33000-001 TO BE USED WITH THIS ASSEMBLY IN ALL CAVITIES CRIMPED WITH CABLE INSULATION OUTER DIAMETER IN THE RANGE 1.5mm TO 2.7mm
3. MATES WITH SRC2 84 PIN RECEPTACLE HOUSING ASSEMBLY (GREEN) PART NUMBER 938498400 PER 932870001 PSD

THIS DRAWING CONTAINS INFORMATION THAT IS PROPRIETARY TO MOLEX ELECTRONIC TECHNOLOGIES, LLC AND SHOULD NOT BE USED WITHOUT WRITTEN PERMISSION										
DIMENSION UNITS	SCALE	CURRENT REV DESC: UPDATED CUT OUT				molex				
mm	1:1					SRC MIXED POWER MALE BLADE HOUSING ASSEMBLY				
GENERAL TOLERANCES (UNLESS SPECIFIED)		EC NO: 616515				PRODUCT CUSTOMER DRAWING				
ANGULAR TOL	± °	DRWN: AJOBRIEN		2018/05/21		DOCUMENT NUMBER				
4 PLACES	±	CHK'D: JFLETCHER		2019/05/07		937921000		DOC TYPE	DOC PART	REVISION
3 PLACES	±	APPR: IOCONNELL		2019/06/26		PSD		000	C	
2 PLACES	± 0.2	INITIAL REVISION:				MATERIAL NUMBER				
1 PLACE	± 0.5	DRWN: AJOBRIEN		2015/08/07		938508400		CUSTOMER		SHEET NUMBER
0 PLACES	±	APPR: JDWALLACE		2015/09/03		GENERAL MARKET		11 OF 16		
DRAFT WHERE APPLICABLE MUST REMAIN WITHIN DIMENSIONS		THIRD ANGLE PROJECTION	DRAWING	SERIES	MATERIAL NUMBER	CUSTOMER		SHEET NUMBER		
			A3-SIZE	93792	938508400	GENERAL MARKET		11 OF 16		

84+0 (2.5) MAIN HOUSING GREEN



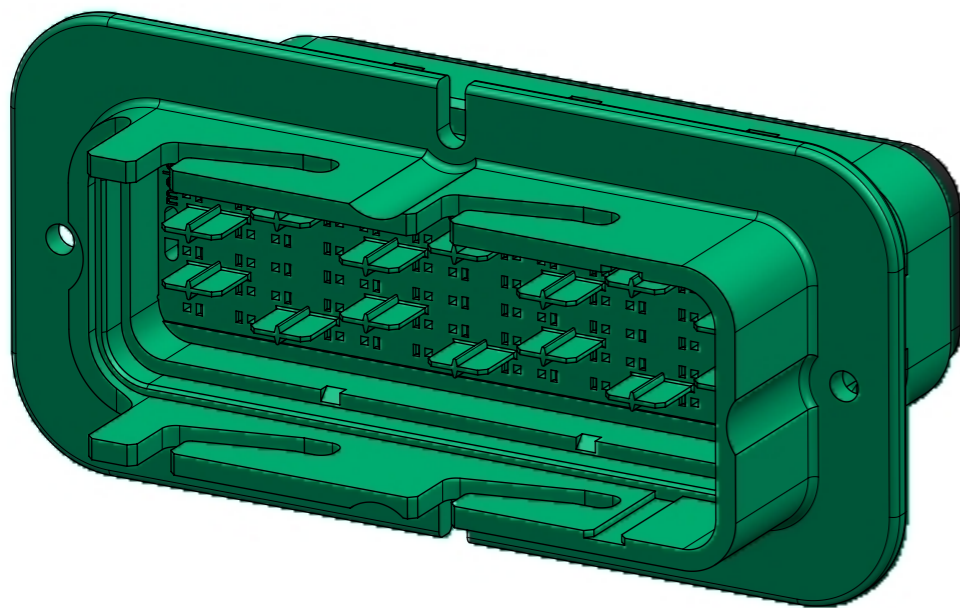
SECTION Z-Z

ACCEPTABLE CABLE INSULATION Ø RANGES (mm) - NOTES 2 & 3
(COMBINATIONS OF CABLES PER NOTES 2 & 3 ALLOWED IN B & F)

CAVITY SET

G	F	E	D	C	B	A
1.5 - 2.7	1.5 - 3.0	1.5 - 2.7	1.5 - 2.7	1.5 - 2.7	1.5 - 3.0	1.5 - 2.7

No.	DESCRIPTION	QTY	COLOUR
4	MALE BACK SEAL	1	RUST RED
3	MALE REAR COVER	1	BLACK
2	MALE FRONT COVER	1	GREEN
1	MALE HOUSING	1	GREEN
BILL OF MATERIAL			



TERMINAL POSITION G12

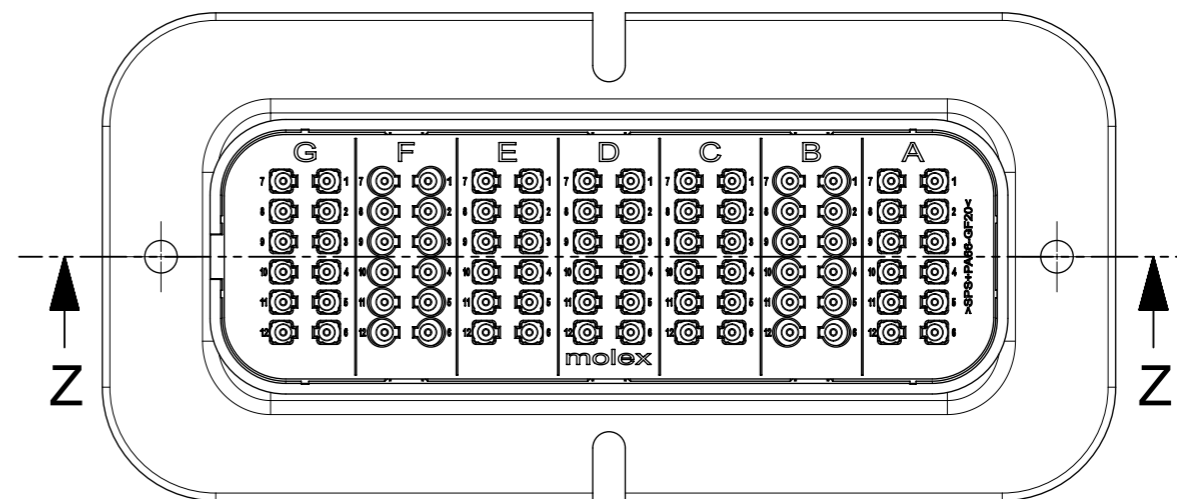
15.0 REF.

TERMINAL POSITION A6

TERMINAL POSITION G7

17.8 REF.

TERMINAL POSITION A1

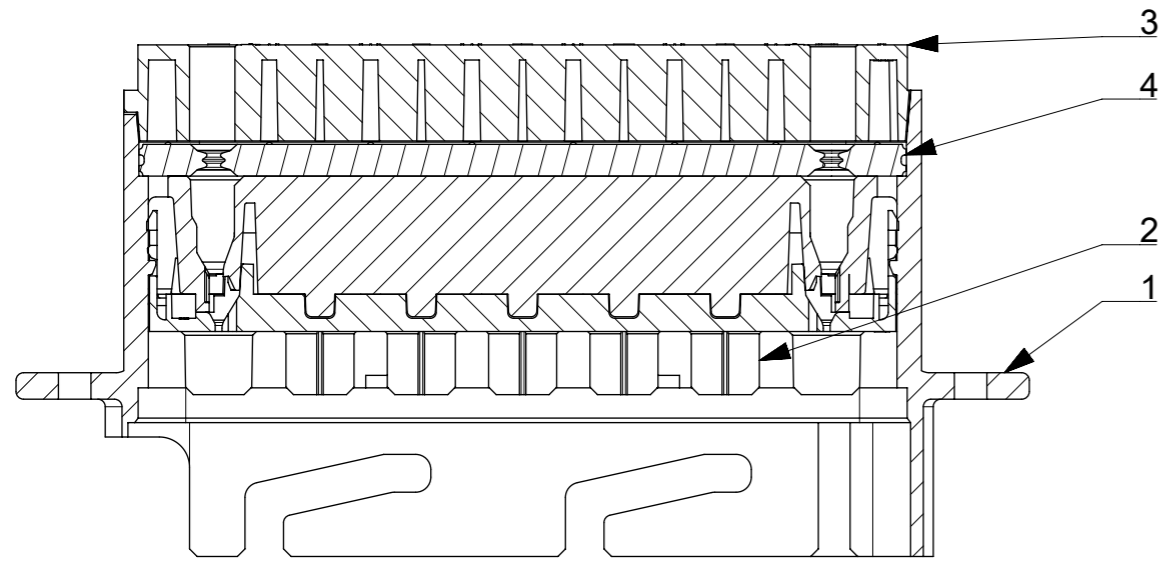


NOTES:

1. REFERENCE SHEET ONE FOR UNSPECIFIED NOTES AND DIMENSIONS
2. MX150 BLADE TERMINAL PER SD-33000-001 TO BE USED WITH THIS ASSEMBLY IN ALL CAVITIES, CRIMPED WITH CABLE INSULATION OUTER DIAMETER IN THE RANGE 1.5mm TO 2.7mm
3. SRC BLADE TERMINALS PER 936420010 PSD MAY BE USED WITH THIS ASSEMBLY IN CAVITIES B AND F CRIMPED WITH 2.5mm² (13AWG) CABLE INSULATION OUTER DIAMETER IN THE RANGE 2.7mm TO 3.0mm
4. MATES WITH: SRC2 84 PIN 2.5 RECEPTACLE HOUSING ASSEMBLY (GREEN) PART NUMBER 938498425 PER 932870001 PSD

THIS DRAWING CONTAINS INFORMATION THAT IS PROPRIETARY TO MOLEX ELECTRONIC TECHNOLOGIES, LLC AND SHOULD NOT BE USED WITHOUT WRITTEN PERMISSION		CURRENT REV DESC: UPDATED CUT OUT		molex	
DIMENSION UNITS	SCALE	EC NO: 616515			
mm	1:1	DRWN: AJOBRIEN 2018/05/21		PRODUCT CUSTOMER DRAWING	
GENERAL TOLERANCES (UNLESS SPECIFIED)		CHK'D: JFLETCHER 2019/05/07		DOCUMENT NUMBER	
ANGULAR TOL ± °		APPR: IOCONNELL 2019/06/26		937921000	
4 PLACES ±		INITIAL REVISION:		DOC TYPE	
3 PLACES ±		DRWN: AJOBRIEN 2015/08/07		PSD	
2 PLACES ± 0.2		APPR: JDWALLACE 2015/09/03		DOC PART	
1 PLACE ± 0.5				000	
0 PLACES ±				REVISION	
DRAFT WHERE APPLICABLE MUST REMAIN WITHIN DIMENSIONS		THIRD ANGLE PROJECTION	DRAWING	SERIES	MATERIAL NUMBER
			A3-SIZE	93792	938508425
				CUSTOMER	SHEET NUMBER
				GENERAL MARKET	12 OF 16

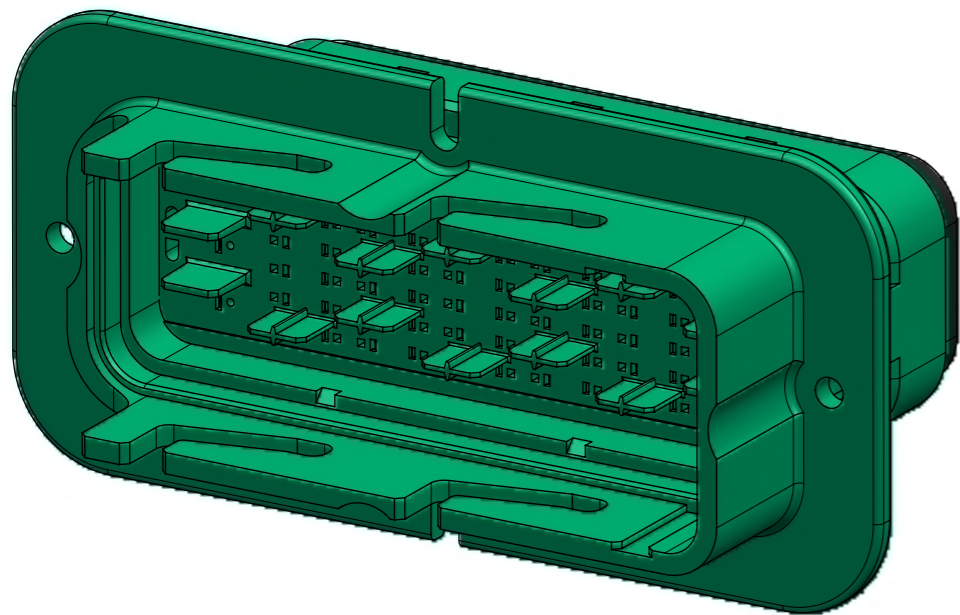
60+6AG MAIN HOUSING GREEN



SECTION V-V

ACCEPTABLE CABLE INSULATION Ø RANGES (mm) - NOTES 2 & 3						
CAVITY SET						
G	F	E	D	C	B	A
3.0 - 5.0	1.5 - 2.7	1.5 - 2.7	1.5 - 2.7	1.5 - 2.7	1.5 - 2.7	3.0 - 5.0

4	MALE BACK SEAL	1	RUST RED
3	MALE REAR COVER	1	BLACK
2	MALE FRONT COVER	1	GREEN
1	MALE HOUSING	1	GREEN
No.	DESCRIPTION	QTY	COLOUR
BILL OF MATERIAL			



TERMINAL POSITION G3

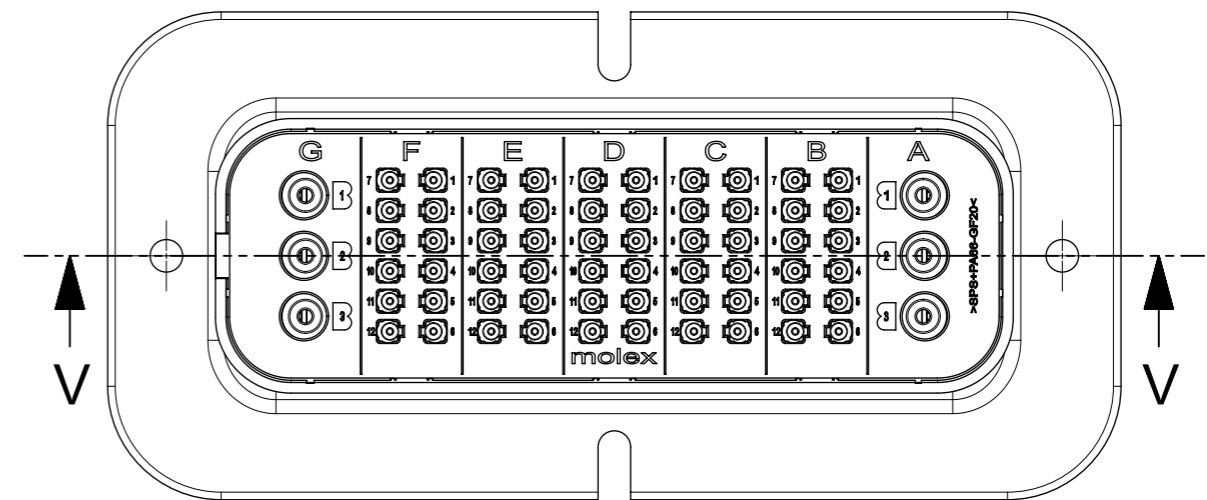
15.0 REF.

TERMINAL POSITION A3

TERMINAL POSITION G1

11.0 REF.

TERMINAL POSITION A1

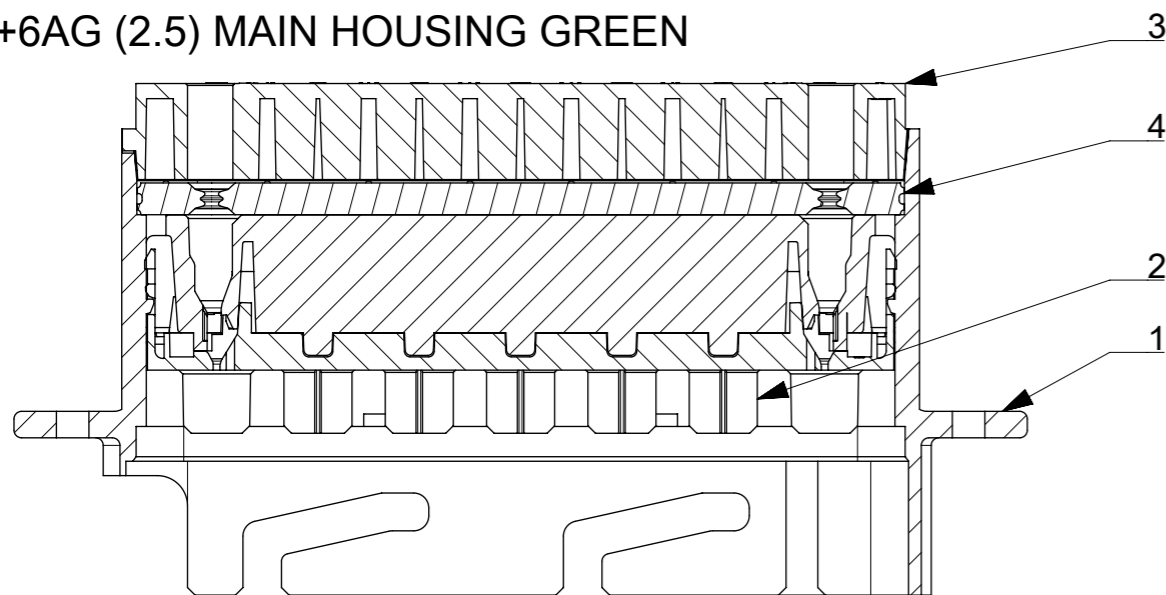


NOTES:

1. REFERENCE SHEET 1 FOR UNSPECIFIED NOTES AND DIMENSIONS
2. MX150 BLADE TERMINALS PER SD-33000-001 TO BE USED WITH THIS ASSEMBLY IN CAVITIES B, C, D, E AND F, CRIMPED WITH CABLE INSULATION OUTER DIAMETER IN THE RANGE 1.5mm TO 2.7mm
3. MX150L BLADE TERMINALS PER SD-19431-00* TO BE USED WITH THIS ASSEMBLY IN CAVITIES A AND G, CRIMPED WITH CABLE INSULATION OUTER DIAMETER IN THE RANGE 3.0mm TO 5.0mm
4. MATES WITH: SRC 60+6AG POWER RECEPTACLE HOUSING ASSEMBLY (GREEN) PART NUMBER 938496006 PER 850840700 PSD

THIS DRAWING CONTAINS INFORMATION THAT IS PROPRIETARY TO MOLEX ELECTRONIC TECHNOLOGIES, LLC AND SHOULD NOT BE USED WITHOUT WRITTEN PERMISSION											
DIMENSION UNITS		SCALE		CURRENT REV DESC: UPDATED CUT OUT							
mm		1:1		molex							
GENERAL TOLERANCES (UNLESS SPECIFIED)											
ANGULAR TOL ± °				SRC MIXED POWER MALE BLADE HOUSING ASSEMBLY							
4 PLACES ±											
3 PLACES ±				EC NO: 616515							
2 PLACES ± 0.2				DRWN: AJOBRIEN 2018/05/21							
1 PLACE ± 0.5				CHK'D: JFLETCHER 2019/05/07							
0 PLACES ±				APPR: IOCONNELL 2019/06/26							
DRAFT WHERE APPLICABLE MUST REMAIN WITHIN DIMENSIONS				THIRD ANGLE PROJECTION		DRAWING		SERIES		MATERIAL NUMBER	
						A3-SIZE		93792		938506006	
								CUSTOMER		SHEET NUMBER	
								GENERAL MARKET		13 OF 16	

60+6AG (2.5) MAIN HOUSING GREEN

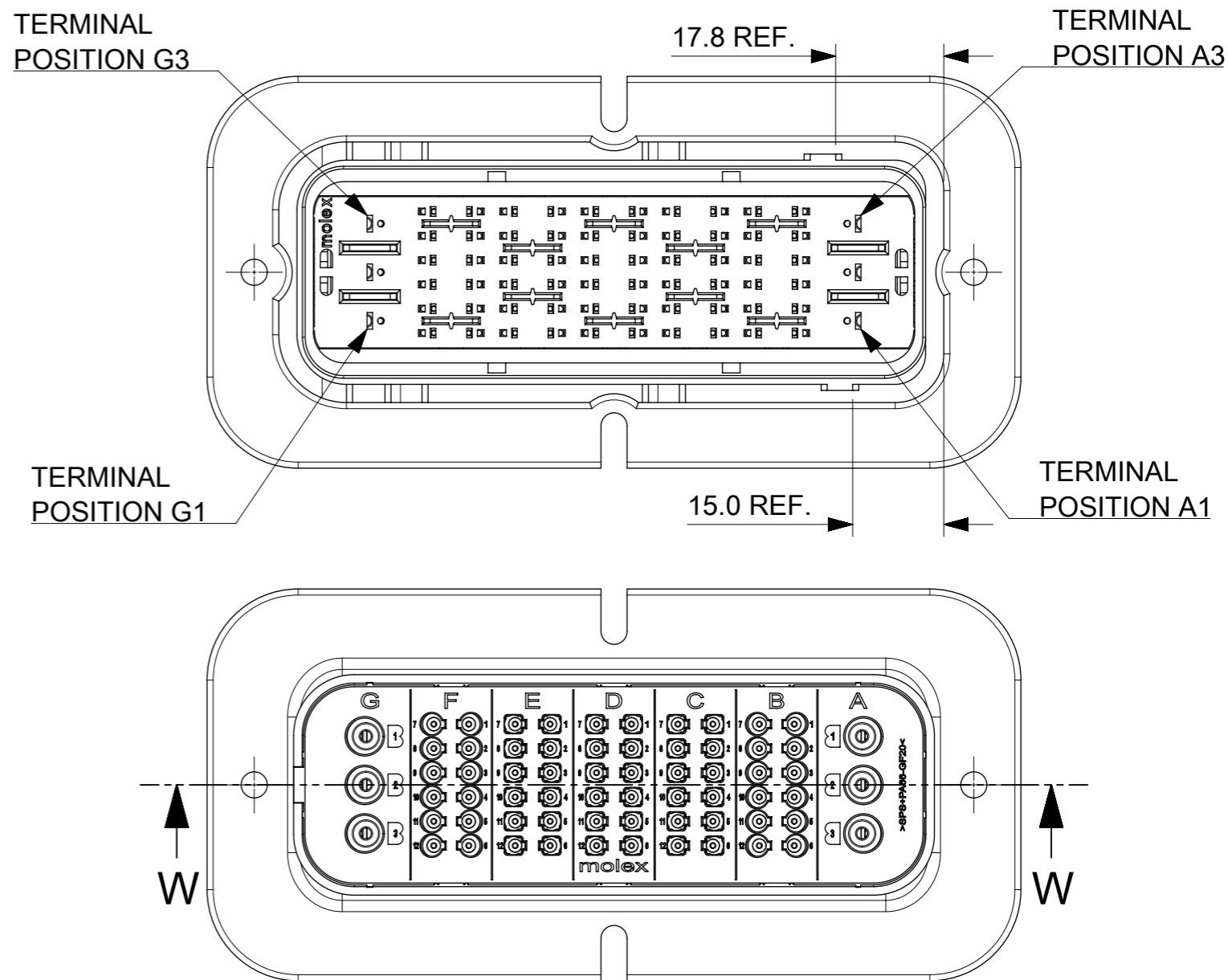
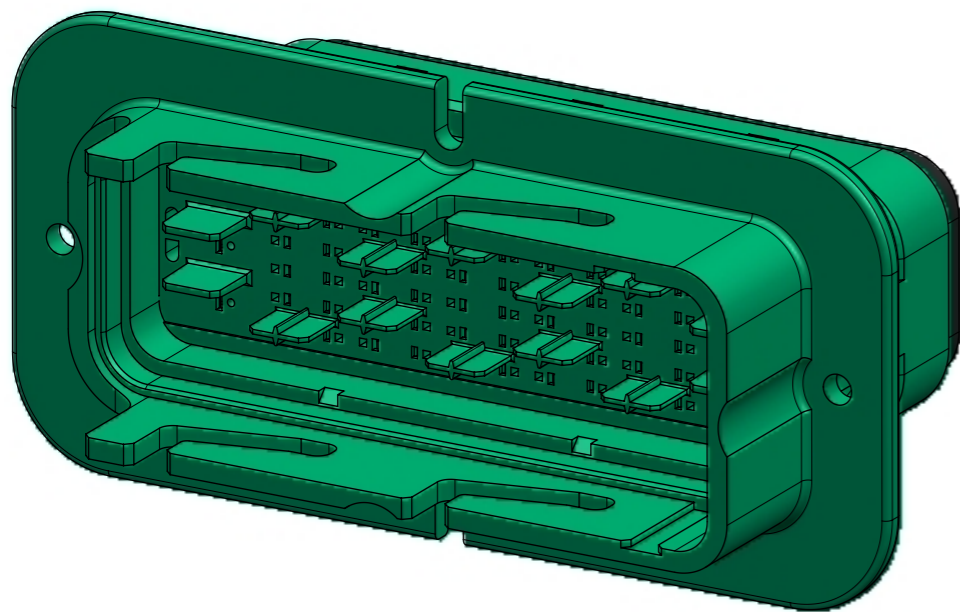


SECTION W-W

ACCEPTABLE CABLE INSULATION Ø RANGES (mm) - NOTES 2, 3 & 4
(COMBINATIONS OF CABLES PER NOTES 2 & 3 ALLOWED IN B & F)

CAVITY SET						
G	F	E	D	C	B	A
3.0 - 5.0	1.5 - 3.0	1.5 - 2.7	1.5 - 2.7	1.5 - 2.7	1.5 - 3.0	3.0 - 5.0

No.	DESCRIPTION	QTY	COLOUR
4	MALE BACK SEAL	1	RUST RED
3	MALE REAR COVER	1	BLACK
2	MALE FRONT COVER	1	GREEN
1	MALE HOUSING	1	GREEN
BILL OF MATERIAL			

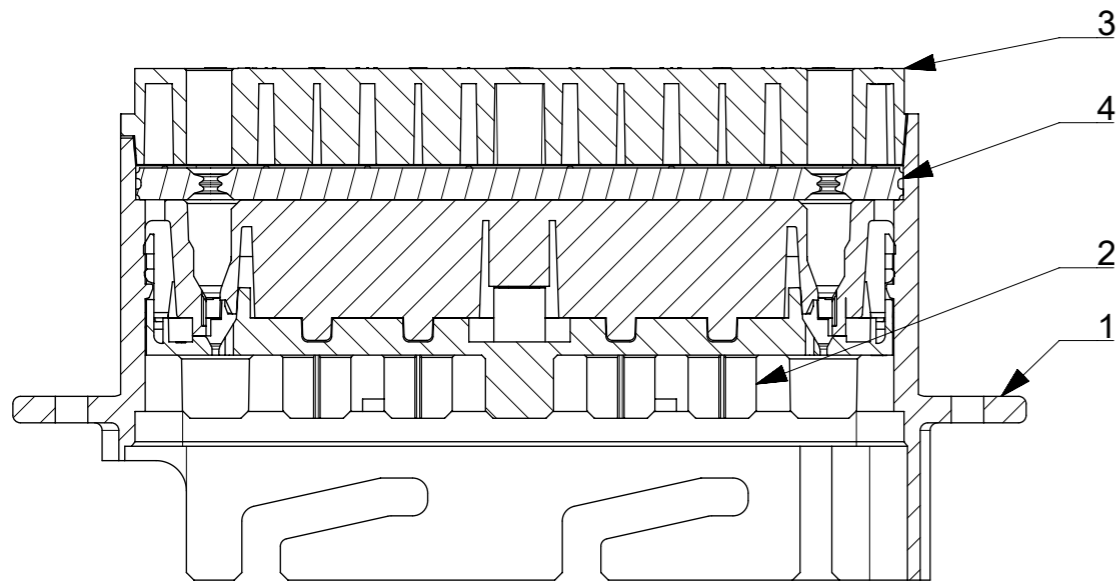


NOTES:

- REFERENCE SHEET 1 FOR UNSPECIFIED NOTES AND DIMENSIONS
- MX150 BLADE TERMINALS PER SD-33000-001 TO BE USED WITH THIS ASSEMBLY IN CAVITIES B, C, D, E AND F, CRIMPED WITH CABLE INSULATION OUTER DIAMETER IN THE RANGE 1.5mm TO 2.7mm
- SRC BLADE TERMINALS PER 936420010 PSD MAY BE USED WITH THIS ASSEMBLY IN CAVITIES B AND F, CRIMPED WITH 2.5mm² (13AWG) CABLE INSULATION OUTER DIAMETER IN THE RANGE 2.7mm TO 3.0mm
- MX150L BLADE TERMINALS PER SD-19431-00* TO BE USED WITH THIS ASSEMBLY IN CAVITIES A AND G, CRIMPED WITH CABLE INSULATION OUTER DIAMETER IN THE RANGE 3.0mm TO 5.0mm
- MATES WITH: SRC 60+6AG POWER 2.5 RECEPTACLE HOUSING ASSEMBLY (GREEN)
PART NUMBER 938496025 PER 850840700 PSD

THIS DRAWING CONTAINS INFORMATION THAT IS PROPRIETARY TO MOLEX ELECTRONIC TECHNOLOGIES, LLC AND SHOULD NOT BE USED WITHOUT WRITTEN PERMISSION												
DIMENSION UNITS	SCALE	CURRENT REV DESC: UPDATED CUT OUT										
mm	1:1	molex										
GENERAL TOLERANCES (UNLESS SPECIFIED)		SRC MIXED POWER MALE BLADE HOUSING ASSEMBLY										
ANGULAR TOL	± °	PRODUCT CUSTOMER DRAWING										
4 PLACES	±	EC NO: 616515	DRWN: AJOBRIEN	2018/05/21	DOCUMENT NUMBER					DOC TYPE	DOC PART	REVISION
3 PLACES	±	CHK'D: JFLETCHER	2019/05/07	937921000					PSD	000	C	
2 PLACES	± 0.2	APPR: IOCONNELL	2019/06/26	INITIAL REVISION:					CUSTOMER			
1 PLACE	± 0.5	DRWN: AJOBRIEN		2015/08/07	938506025					GENERAL MARKET		
0 PLACES	±	APPR: JDWALLACE		2015/09/03	MATERIAL NUMBER					SHEET NUMBER		
DRAFT WHERE APPLICABLE MUST REMAIN WITHIN DIMENSIONS		THIRD ANGLE PROJECTION	DRAWING	SERIES	CUSTOMER		SHEET NUMBER					
			A3-SIZE	93792	GENERAL MARKET		14 OF 16					

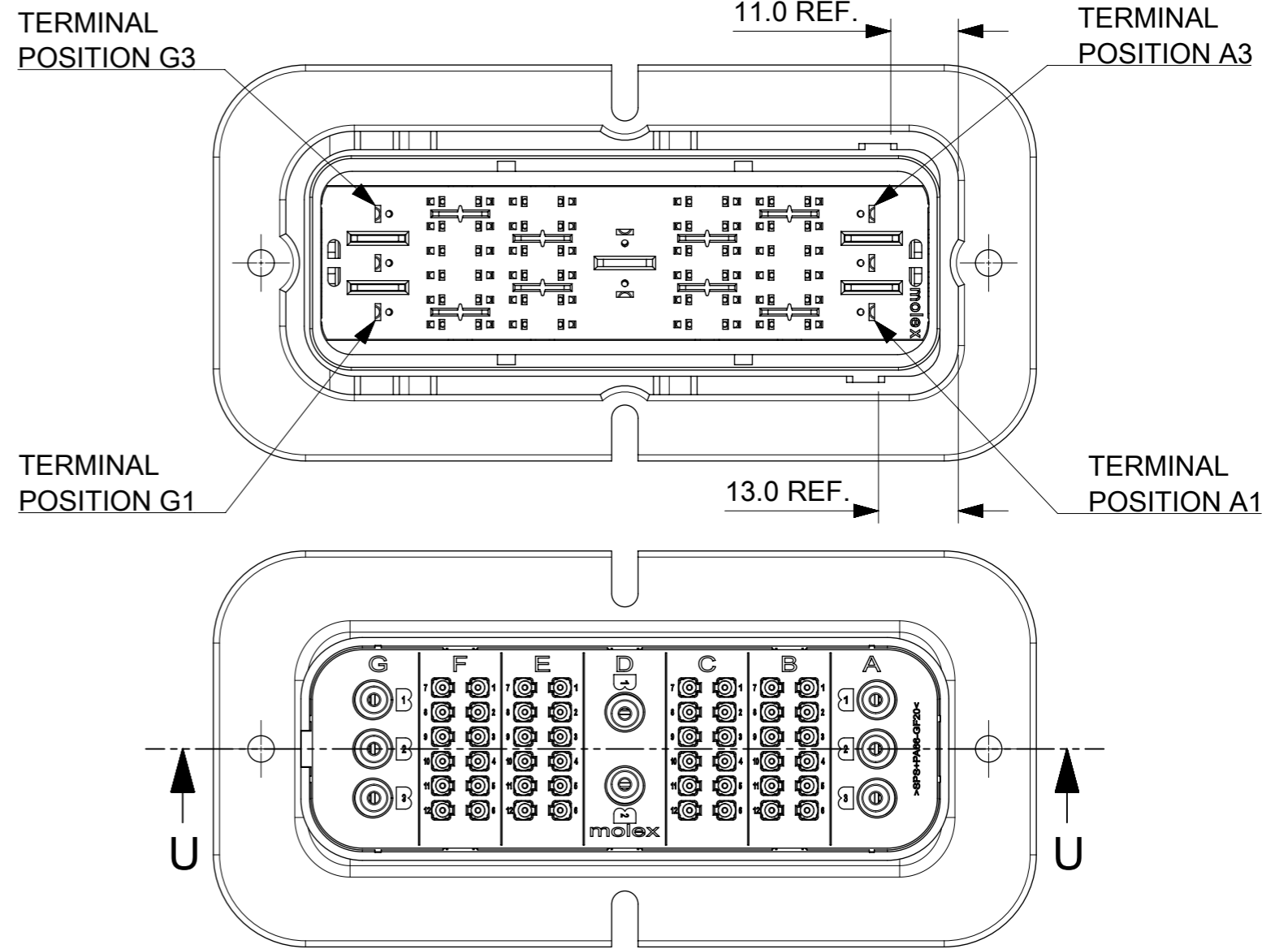
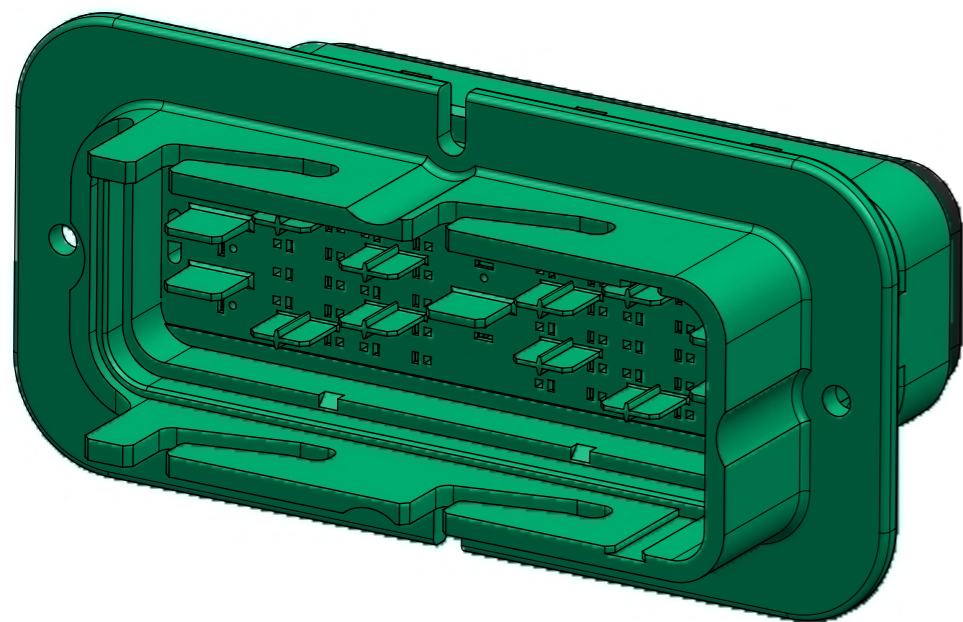
48+8ADG MAIN HOUSING GREEN



SECTION U-U

ACCEPTABLE CABLE INSULATION Ø RANGES (mm) - NOTES 2 & 3						
CAVITY SET						
G	F	E	D	C	B	A
3.0 - 5.0	1.5 - 2.7	1.5 - 2.7	3.0 - 5.0	1.5 - 2.7	1.5 - 2.7	3.0 - 5.0

4	MALE BACK SEAL	1	RUST RED
3	MALE REAR COVER	1	BLACK
2	MALE FRONT COVER	1	GREEN
1	MALE HOUSING	1	GREEN
No.	DESCRIPTION	QTY	COLOUR
BILL OF MATERIAL			

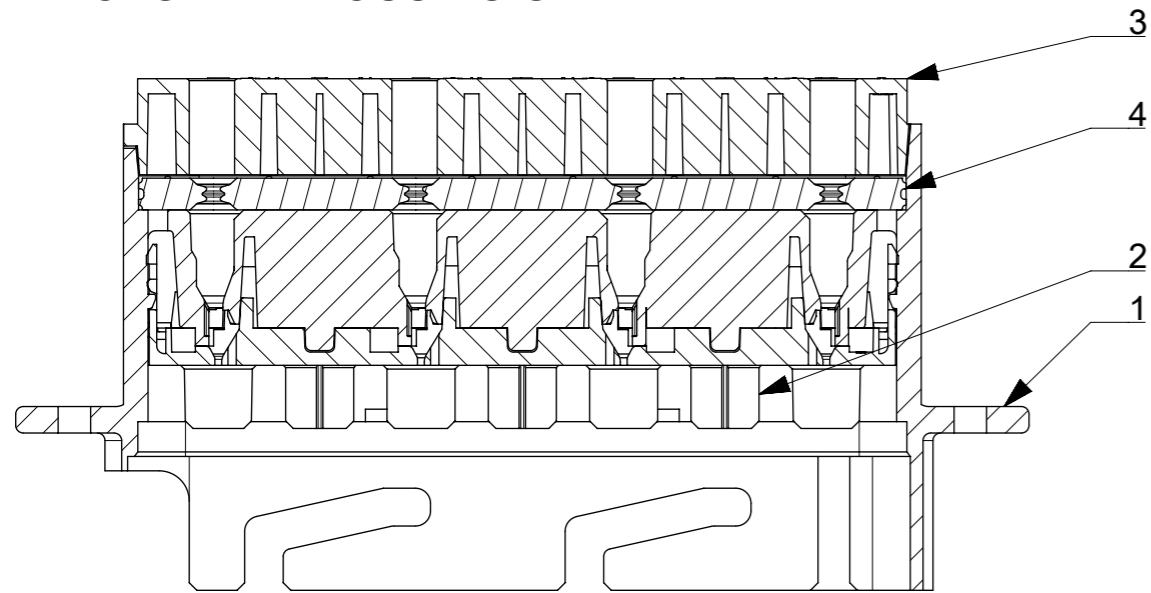


NOTES:

1. REFERENCE SHEET 1 FOR UNSPECIFIED NOTES AND DIMENSIONS
2. MX150 BLADE TERMINALS PER SD-33000-001 TO BE USED WITH THIS ASSEMBLY IN CAVITIES B, C, E AND F, CRIMPED WITH CABLE INSULATION OUTER DIAMETER IN THE RANGE 1.5mm TO 2.7mm
3. MX150L BLADE TERMINALS PER SD-19431-00* TO BE USED WITH THIS ASSEMBLY IN CAVITIES A, D AND G, CRIMPED WITH CABLE INSULATION OUTER DIAMETER IN THE RANGE 3.0mm TO 5.0mm
4. MATES WITH: SRC 48+8ADG POWER RECEPTACLE HOUSING ASSEMBLY (GREEN) PART NUMBER 938494808 PER 850840700 PSD

THIS DRAWING CONTAINS INFORMATION THAT IS PROPRIETARY TO MOLEX ELECTRONIC TECHNOLOGIES, LLC AND SHOULD NOT BE USED WITHOUT WRITTEN PERMISSION									
DIMENSION UNITS		SCALE		CURRENT REV DESC: UPDATED CUT OUT					
mm		1:1		molex					
GENERAL TOLERANCES (UNLESS SPECIFIED)									
ANGULAR TOL ± °				SRC MIXED POWER MALE BLADE HOUSING ASSEMBLY					
4 PLACES ±		EC NO: 616515							
3 PLACES ±		DRWN: AJOBRIEN 2018/05/21							
2 PLACES ± 0.2		CHK'D: JFLETCHER 2019/05/07							
1 PLACE ± 0.5		APPR: IOCONNELL 2019/06/26		PRODUCT CUSTOMER DRAWING					
0 PLACES ±		INITIAL REVISION:		DOCUMENT NUMBER		DOC TYPE		DOC PART	
		DRWN: AJOBRIEN 2015/08/07		937921000		PSD		000	
		APPR: JDWALLACE 2015/09/03						C	
DRAFT WHERE APPLICABLE MUST REMAIN WITHIN DIMENSIONS		THIRD ANGLE PROJECTION		DRAWING		SERIES		MATERIAL NUMBER	
		A3-SIZE		93792		938504808		CUSTOMER	
				GENERAL MARKET				SHEET NUMBER	
								15 OF 16	

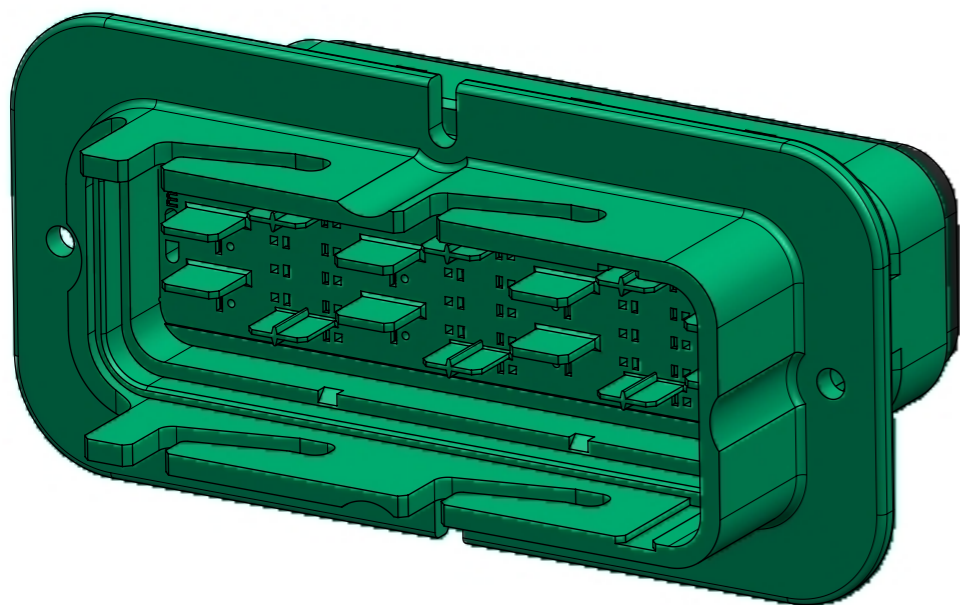
36+12ACEG MAIN HOUSING GREEN



SECTION X-X

ACCEPTABLE CABLE INSULATION Ø RANGES (mm) - NOTES 2 & 3						
CAVITY SET						
G	F	E	D	C	B	A
3.0 - 5.0	1.5 - 2.7	3.0 - 5.0	1.5 - 2.7	3.0 - 5.0	1.5 - 2.7	3.0 - 5.0

4	MALE BACK SEAL	1	RUST RED
3	MALE REAR COVER	1	BLACK
2	MALE FRONT COVER	1	GREEN
1	MALE HOUSING	1	GREEN
No.	DESCRIPTION	QTY	COLOUR
BILL OF MATERIAL			



TERMINAL POSITION G3

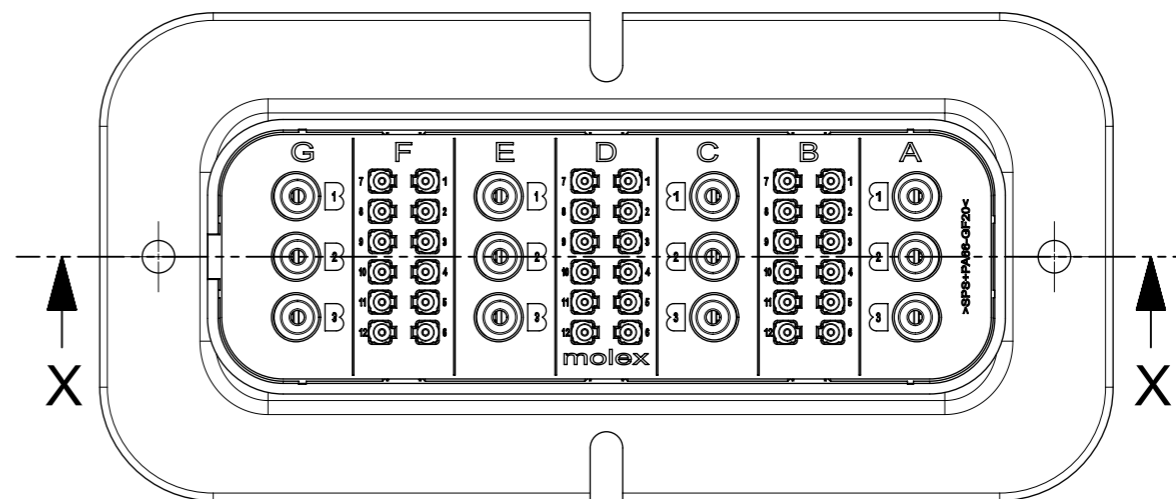
13.0 REF.

TERMINAL POSITION A3

TERMINAL POSITION G1

11.0 REF.

TERMINAL POSITION A1



NOTES:

1. REFERENCE SHEET 1 FOR UNSPECIFIED NOTES AND DIMENSIONS
2. MX150 BLADE TERMINALS PER SD-33000-001 TO BE USED WITH THIS ASSEMBLY IN CAVITIES B, D AND F, CRIMPED WITH CABLE INSULATION OUTER DIAMETER IN THE RANGE 1.5mm TO 2.7mm
3. MX150L BLADE TERMINALS PER SD-19431-00* TO BE USED WITH THIS ASSEMBLY IN CAVITIES A, C, E AND G, CRIMPED WITH CABLE INSULATION OUTER DIAMETER IN THE RANGE 3.0mm TO 5.0mm
4. MATES WITH: SRC 36+12ACEG POWER RECEPTACLE HOUSING ASSEMBLY (GREEN) PART NUMBER 938493612 PER 850840700 PSD

DIMENSION UNITS		SCALE	CURRENT REV DESC: UPDATED CUT OUT				
mm		1:1	<div style="text-align: center;">molex</div> <p>SRC MIXED POWER MALE BLADE HOUSING ASSEMBLY</p> <p>PRODUCT CUSTOMER DRAWING</p>				
GENERAL TOLERANCES (UNLESS SPECIFIED)							
ANGULAR TOL	±	°	EC NO: 616515		DOCUMENT NUMBER		
4 PLACES	±		DRWN: AJOBRIEN	2018/05/21	937921000		
3 PLACES	±		CHK'D: JFLETCHER	2019/05/07	DOC TYPE	DOC PART	
2 PLACES	±	0.2	APPR: IOCONNELL	2019/06/26	PSD	000	
1 PLACE	±	0.5	INITIAL REVISION:		REVISION	C	
0 PLACES	±		DRWN: AJOBRIEN	2015/08/07			
DRAFT WHERE APPLICABLE MUST REMAIN WITHIN DIMENSIONS		THIRD ANGLE PROJECTION	DRAWING	SERIES	MATERIAL NUMBER	CUSTOMER	SHEET NUMBER
			A3-SIZE	93792	938503612	GENERAL MARKET	16 OF 16