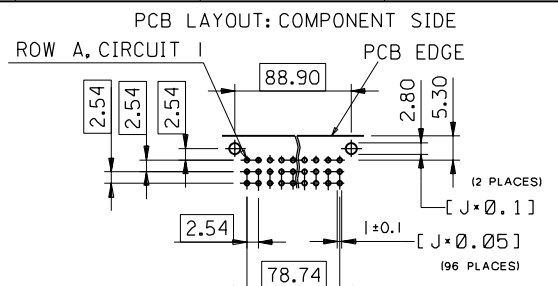
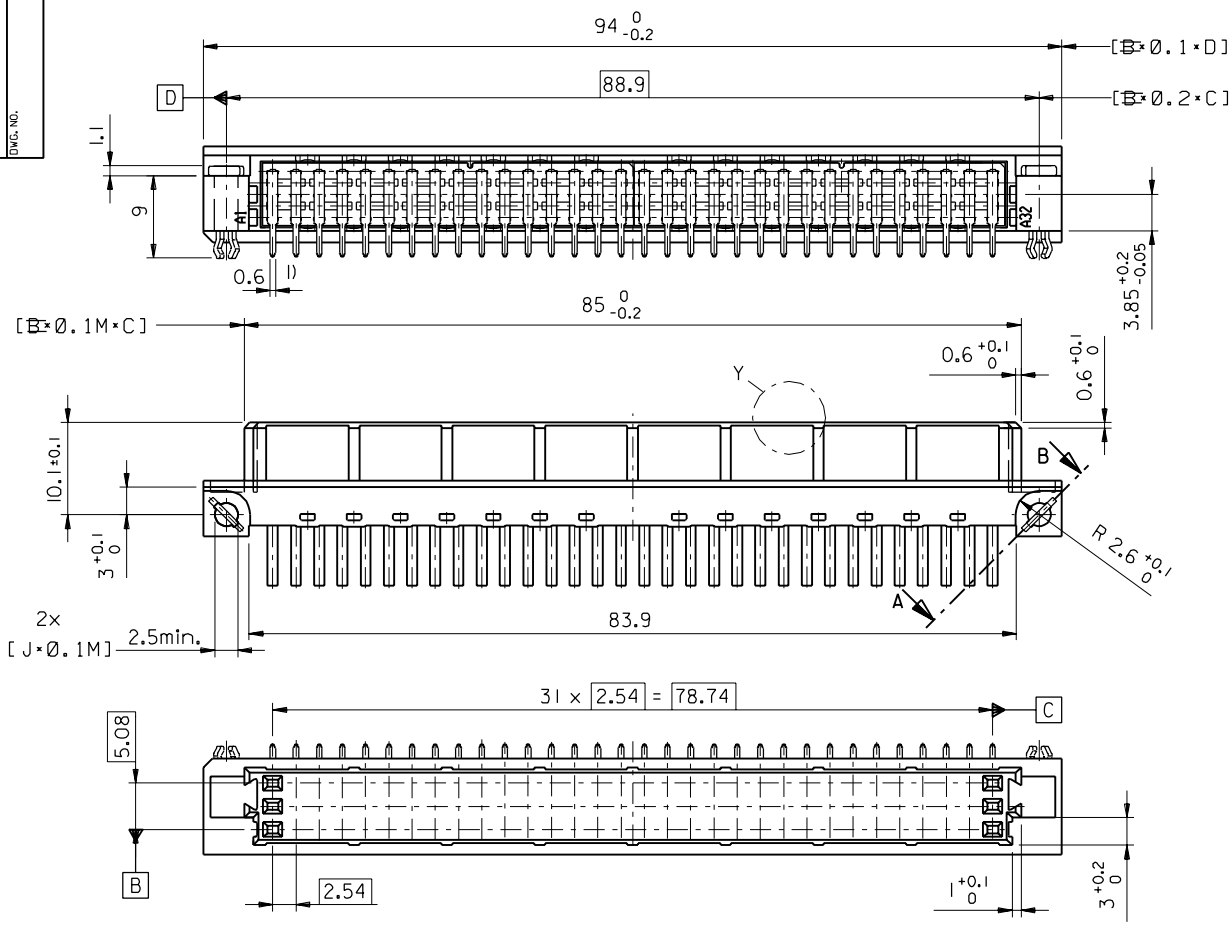
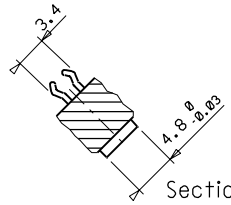
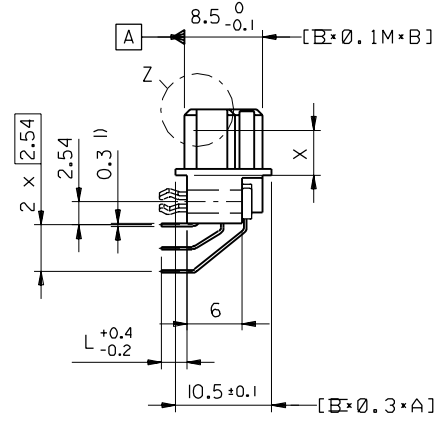


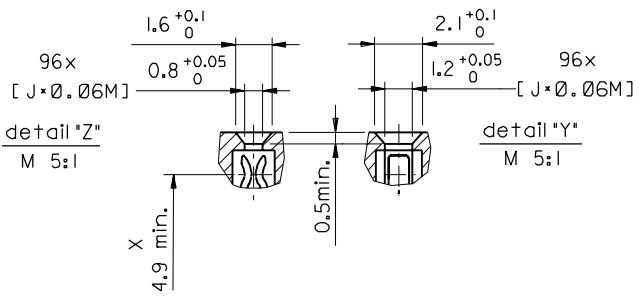
PART NO.
DWG. NO.



1) tails to fit in PC-board layout



Section A - B



FIRST ANGLE PROJECTION		DRWG BY		SIGN	
UNLESS OTHERWISE SPECIFIED TOLERANCES: ANGULAR ±2°		KN			
INCH		METRIC			
3 PLACE ±	±	CHK'D BY		SIGN	
2 PLACE ±	±	Ca			
1 PLACE ±	±	APP'D BY		SIGN	
DRAFT WHERE APPLICABLE MUST REMAIN WITHIN DIMENSIONS		JB			
DESIGN DIMENSION	<input checked="" type="checkbox"/> MM	SCALE		2:1	
EQUIVALENT DIMENSION	<input type="checkbox"/> IN.				
IF TWO DIMENSIONS ARE SHOWN THE UPPER IS THE DESIGN DIMENSION, LOWER IS SECONDARY					

REVISE ONLY ON CAD SYSTEM		2	B1
CAD/CAM PROJECT NAME 85052000 611		SH.	REV.
THIS DRAWING CONTAINS INFORMATION THAT IS PROPRIETARY TO MOLEX INC. & SHOULD NOT BE USED WITHOUT WRITTEN PERMISSION			
TITLE 96 pos. female connector DIN 41612 style R + clip Dimensions			
MOLEX MOLEX EUROPE		SHEET NO. DATE 1 OF 2 96/04/25	
PART NO.		DWG. NO.	
SDA-85052-0001		SDA-85052-0001	
		SIZE B	

