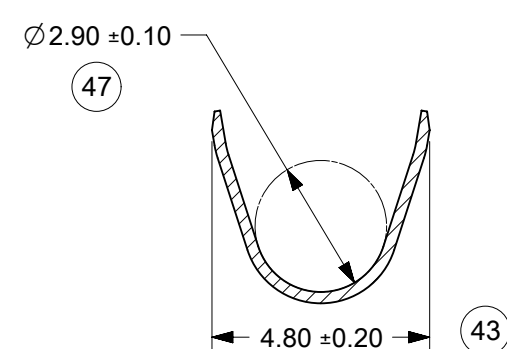
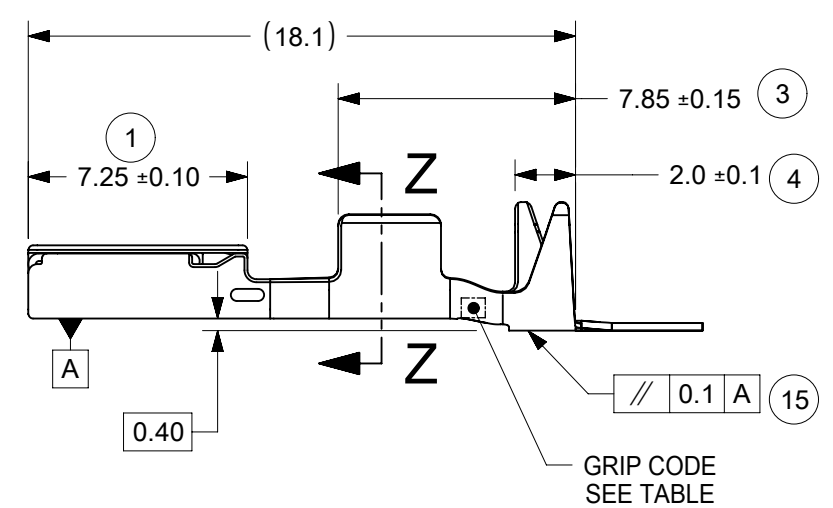
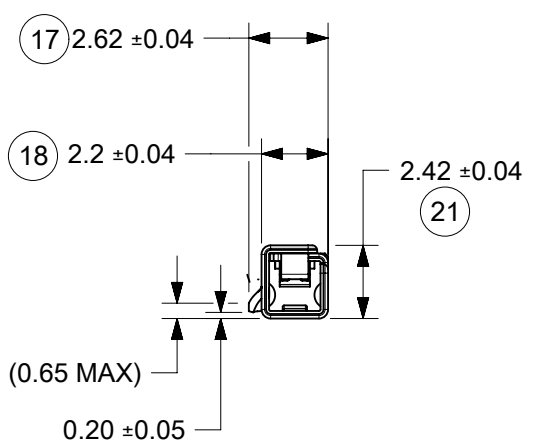
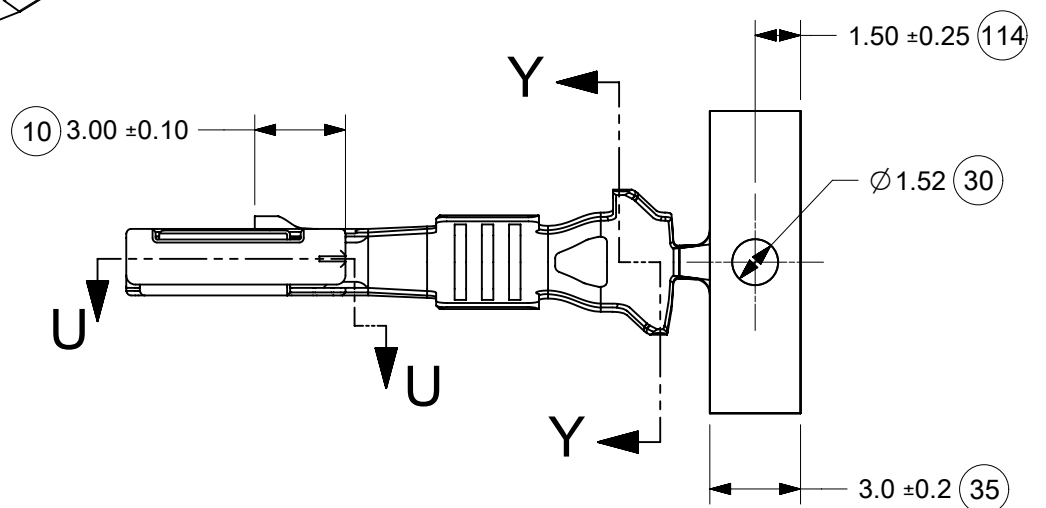
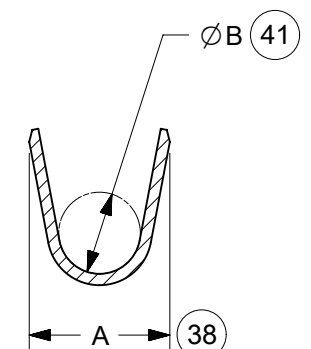


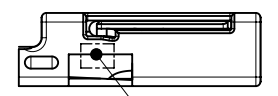
ISO VIEWS
NOT TO SCALE



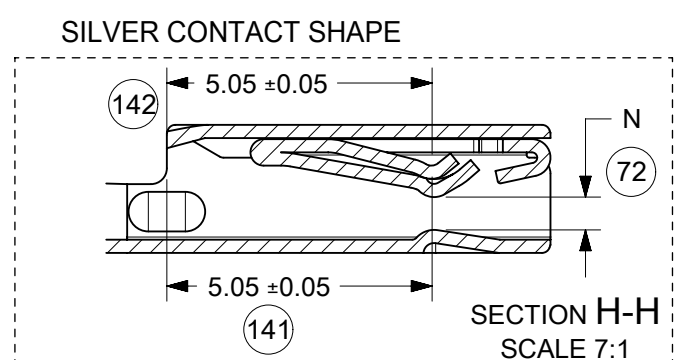
SECTION Y-Y
SCALE 6:1
INSULATION GRIP



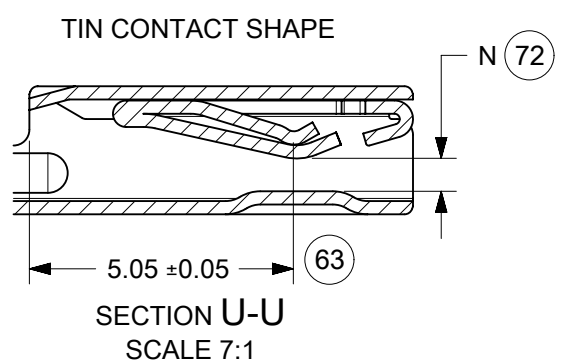
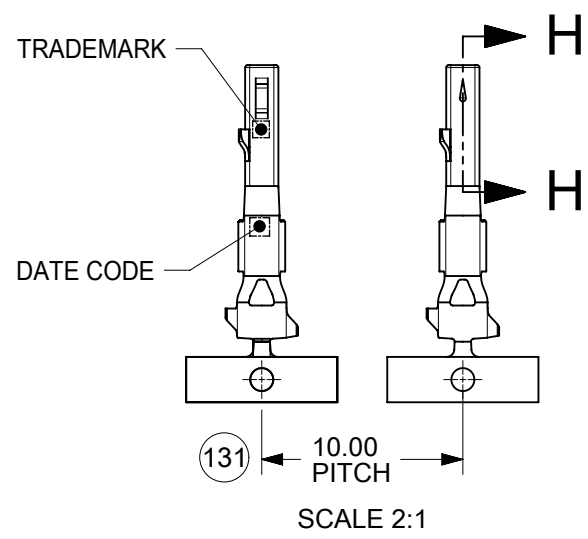
SECTION Z-Z
SCALE 6:1
CONDUCTOR GRIP



PLATING ID
SEE TABLE



SILVER CONTACT SHAPE



PART NUMBERS		GRIP CODE	WIRE GAUGE METRIC mm ²	PLATING		VERSION	LUBRICATION	ENVIRONMENTAL BARRIER	DIM A ±0.2	DIM ØB ±0.1	DIM N
D-WIND (LEFT PAYOFF)	B-WIND (RIGHT PAYOFF)			TYPE	ID						
34806-3401	34806-3501	S	0.35-0.50	TIN (Sn)	● (0.1mm ROUND INDENTATION)	HP	YES SEE NOTE 5	NO	2	1	0.62 ±0.03 -0.06
34806-3402	34806-3502	M	0.75-1.00								
34806-3403	34806-3503	L	1.50								
34806-3006	34806-3106	S	0.35-0.50	SILVER (Ag)	A9	HP	NO	YES SEE NOTE 6	2	1	0.62 ±0.03
34806-3007	34806-3107	M	0.75-1.00								
34806-3008	34806-3108	L	1.50								

NOTES: (UNLESS OTHERWISE SPECIFIED)

- MATERIAL: COPPER ALLOY
- PACKAGING PER PK-31301-053
- CRIMPING PER AS-502307-002
- PROBING IS NOT PERMITTED AT ANY LOCATION ON TERMINAL CONTACT SURFACES
- GREASE IN CONTACT AREA ONLY
- ANTI-TARNISH TREATMENT FOR SILVER PLATED AREA: SYNTHETIC HYDROCARBON CONTACT SURFACE FINISH OR EQUIVALENT
- FOR SILVER PLATING: ELECTRICAL PERFORMANCE IS NOT AFFECTED BY TARNISH ON THE SILVER PLATED SURFACE. ACCEPTABLE SILVER SURFACES CAN INCLUDE TARNISH OF ANY OF THE OBSERVED COLORS. OBSERVED TARNISH COLORS ARE YELLOW, BROWN, GRAY, BLUE, OR BLACK.

REV	DESCRIPTION
B5	CORRECTED TABLE DIM N LABEL & ADDED NOTE 7
B4	MIGRATION TO NX
B3	FRAME AND TITLE BLOCK UPGRADED
B2	DIM#10 MOVED FROM "PITCH" VIEW TO TOP VIEW AND WAS 3.75.
B1	WIRE GAUGE METRIC UPDATED: L VERSION WAS 1.50-200
B	NOTE#3 WAS AS-502307-001
A	INITIAL RELEASE

SYMBOLS		THIS DRAWING CONTAINS INFORMATION THAT IS PROPRIETARY TO MOLEX ELECTRONIC TECHNOLOGIES, LLC AND SHOULD NOT BE USED WITHOUT WRITTEN PERMISSION		CURRENT REV DESC:	
▽ = 0	0	DIMENSION UNITS	SCALE	CURRENT REV DESC:	
▽ = 0	0	mm	4:1	CURRENT REV DESC:	
▽ = 0	0	GENERAL TOLERANCES (UNLESS SPECIFIED)		CURRENT REV DESC:	
▽ = 0	0	ANGULAR TOL ± 1.0°		CURRENT REV DESC:	
▽ = 0	0	4 PLACES ±		CURRENT REV DESC:	
▽ = 0	0	3 PLACES ± 0.08		CURRENT REV DESC:	
▽ = 0	0	2 PLACES ± 0.08		CURRENT REV DESC:	
▽ = 0	0	1 PLACE ± 0.08		CURRENT REV DESC:	
▽ = 0	0	0 PLACES ±		CURRENT REV DESC:	
▽ = 0	0	DRAFT WHERE APPLICABLE MUST REMAIN WITHIN DIMENSIONS		CURRENT REV DESC:	
THIRD ANGLE PROJECTION		DRAWING		SERIES	
B-SIZE		34806		MATERIAL NUMBER	
CUSTOMER		GENERAL MARKET		SHEET NUMBER	
1 OF 1		SD-34806-001		PSD 001 B5	

molex

CTX150 SWS RECEPTACLE
TERMINAL

PRODUCT CUSTOMER DRAWING