

THIS DRAWING CONTAINS INFORMATION THAT IS PROPRIETARY TO MOLEX ELECTRONIC TECHNOLOGIES, LLC AND SHOULD NOT BE USED WITHOUT WRITTEN PERMISSION

DIMENSION UNITS		SCALE		CURRENT REV DESC: MIGRATED TO ECTR			
MM		1:1		<p><b>molex</b></p> <p>HOUSING, PLUG 2.13 DIA. SERIES</p> <p>PRODUCT CUSTOMER DRAWING</p>			
GENERAL TOLERANCES (UNLESS SPECIFIED)							
	MM	INCH					
4 PLACES	±		±				
3 PLACES	±		± 0.1				
2 PLACES	± 0.25		± 0.14	EC NO: 178202	DRWN: RLALSANGI	2018/02/26	
1 PLACE	± 0.36		±	CHK'D: NCSR	2018/07/12		
0 PLACES	±		±	APPR: NCSR	2018/07/12		
ANGULAR TOL	±	°		INITIAL REVISION:			
DRAFT WHERE APPLICABLE MUST REMAIN WITHIN DIMENSIONS				THIRD ANGLE PROJECTION	DRAWING	SERIES	
					A2-SIZE	42021	
DOCUMENT NUMBER		DOC TYPE	DOC PART	REVISION			
420210000		PSD	000	A			
MATERIAL NUMBER		CUSTOMER		SHEET NUMBER			
SEE TABLE OF SHEET 2		GENERAL MARKET		1 OF 2			

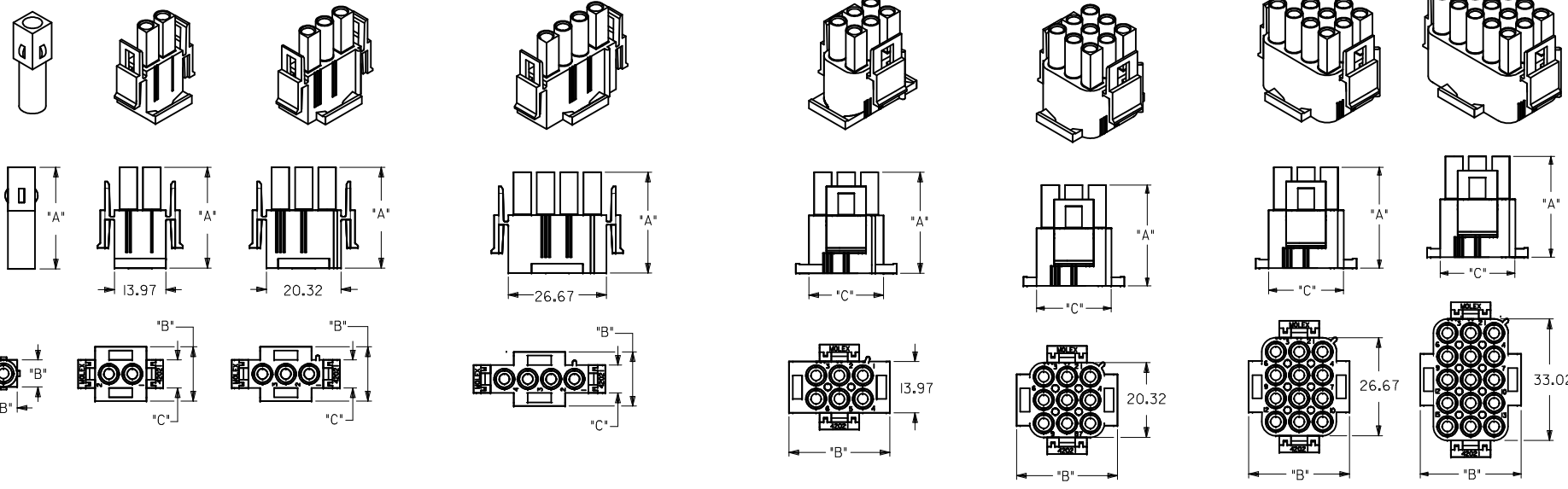
PART NO.	CIRCUIT SIZE	MATERIAL (SEE NOTE 1)	DIM "A"	DIM "B"	DIM "C"
050-84-1010	1	A	27.69	7.37	--
050-84-1015	1	C			
050-84-1020	2	A	27.61	14.73	7.62
050-84-1025	2	C			
050-84-1030	3	A	27.61	14.73	7.62
050-84-1035	3	C			
050-84-1040	4	A	27.61	14.73	7.62
050-84-1045	4	C			
050-84-1060	6	A	27.61	27.43	20.32
050-84-1065	6	C			
050-84-1090	9	A	27.61	27.43	20.32
050-84-1095	9	C			
050-84-1120	12	A	27.61	27.43	20.32
050-84-1125	12	C			
050-84-1150	15	A	27.61	27.43	20.32
050-84-1155	15	C			
366480001	1	D	27.43	7.37	--
366480002	2	D		14.73	7.62
366480003	3	D			
366480004	4	D			
366480005	6	D	27.43	27.43	20.32
366480006	9	D			
366480007	12	D			
366480008	15	D			

**NOTES:**

- 1) MATERIAL CODES:  
 "A"= NYLON TYPE 6/6, 94V-2  
 COLOR: NATURAL (WHITE/TRANSLUCENT)  
 "C"= NYLON TYPE 6/6, 94V-0  
 COLOR: NATURAL (WHITE)  
 "D"= NYLON 94V-2  
 COLOR: BLACK (ZYTEL 101F)
- 2) UNLESS OTHERWISE INDICATED, DIMENSIONS ARE FOR REFERENCE ONLY.
- 3) PLUG HOUSINGS MATE WITH:  
 -CAP HOUSINGS, 2.13 DIA. SERIES: (42022-\*\*\*\*)  
 -HEADER ASSEMBLY HOUSINGS, 2.13 DIA. SERIES: (A-42002-\*\*\*\*)
- 4) HOUSINGS DESIGNED TO BE USED WITH TERMINALS:  
 -PINS, 2.13 DIA. SERIES: (42023-\*\*\*\*)  
 -SOCKETS, 2.13 DIA. SERIES: (42024-\*\*\*\*)
- 5) CONTACTS ARE ON 6.35 GRID CENTERLINE SPACING.
- 6) PRODUCT SPECIFICATION PS-42022-0001 APPLIES.
- 7) FOR GLOW WIRE COMPATIBLE PART NUMBERS REFER DOCUMENT NO SD-36643-009.

THIS DRAWING CONTAINS INFORMATION THAT IS PROPRIETARY TO MOLEX ELECTRONIC TECHNOLOGIES, LLC AND SHOULD NOT BE USED WITHOUT WRITTEN PERMISSION									
DIMENSION UNITS		SCALE		CURRENT REV DESC: MIGRATED TO ECTR				<b>molex</b>	
MM		1:1							
GENERAL TOLERANCES (UNLESS SPECIFIED)				EC NO: 178202				HOUSING, PLUG 2.13 DIA. SERIES	
				DRWN: RLALSANGI 2018/02/26					
4 PLACES ±				CHK'D: NCSR 2018/07/12				PRODUCT CUSTOMER DRAWING	
3 PLACES ±				APPR: NCSR 2018/07/12					
2 PLACES ± 0.25				INITIAL REVISION:				DOCUMENT NUMBER	
1 PLACE ± 0.36				DRWN: RK 1987/11/16					
0 PLACES ±				APPR: GWF 1987/11/16				420210000	
ANGULAR TOL ± °				THIRD ANGLE PROJECTION		DRAWING		SERIES	
DRAFT WHERE APPLICABLE MUST REMAIN WITHIN DIMENSIONS						A2-SIZE		42021	
MATERIAL NUMBER		CUSTOMER		SHEET NUMBER		DOC TYPE		DOC PART	
SEE TABLE OF SHEET 2		GENERAL MARKET		2 OF 2		PSD		000	

13 12 11 10 9 8 7 6 5 4 3 2 1



<b>VIEWS UPDATED</b> EC NO: 12018-0003 DRWN:GES CHKD:SNAGARAVENK42017/08/03 APPR:KPRASAD_2017/09/07	QUALITY SYMBOLS ∇=0 ∇=0 ∇=0	GENERAL TOLERANCES (UNLESS SPECIFIED)		DIMENSION STYLE <b>MM ONLY</b>	SCALE <b>1:1</b>	DESIGN UNITS <b>METRIC</b>	THIRD ANGLE PROJECTION																		
		<table border="1"> <thead> <tr> <th></th> <th>mm</th> <th>INCH</th> </tr> </thead> <tbody> <tr> <td>4 PLACES</td> <td>± ---</td> <td>± ---</td> </tr> <tr> <td>3 PLACES</td> <td>± ---</td> <td>± .010</td> </tr> <tr> <td>2 PLACES</td> <td>± 0.25</td> <td>± 0.14</td> </tr> <tr> <td>1 PLACE</td> <td>± 0.36</td> <td>± ---</td> </tr> <tr> <td>0 PLACE</td> <td>±</td> <td>±</td> </tr> </tbody> </table>			mm	INCH	4 PLACES	± ---	± ---	3 PLACES	± ---	± .010	2 PLACES	± 0.25	± 0.14	1 PLACE	± 0.36	± ---	0 PLACE	±	±	DRAWN BY RK	DATE 87/11/16	TITLE <b>HOUSING, PLUG 2.13 DIA. SERIES</b>	
			mm	INCH																					
		4 PLACES	± ---	± ---																					
3 PLACES	± ---	± .010																							
2 PLACES	± 0.25	± 0.14																							
1 PLACE	± 0.36	± ---																							
0 PLACE	±	±																							
ANGULAR ± ---° DRAFT WHERE APPLICABLE MUST REMAIN WITHIN DIMENSIONS		APPROVED BY GWF	DATE 87/11/16	MATERIAL NO. <b>SEE SHEET 2</b>		DOCUMENT NO. <b>SD-42021-**</b>	SHEET NO. 1 OF 2																		
THIS DRAWING CONTAINS INFORMATION THAT IS PROPRIETARY TO MOLEX INCORPORATED AND SHOULD NOT BE USED WITHOUT WRITTEN PERMISSION																									

12 11 10 9 8 7 6 5 4 3 2 1

PART NO.	CIRCUIT SIZE	MATERIAL (SEE NOTE 1)	DIM "A"	DIM "B"	DIM "C"
050-84-1010	1	A	27.69	7.37	----
050-84-1015	1	C			
050-84-1020	2	A	27.61	14.73	7.62
050-84-1025	2	C			
050-84-1030	3	A	27.61	14.73	7.62
050-84-1035	3	C			
050-84-1040	4	A	27.61	14.73	7.62
050-84-1045	4	C			
050-84-1060	6	A	27.61	27.43	20.32
050-84-1065	6	C			
050-84-1090	9	A	27.61	27.43	20.32
050-84-1095	9	C			
050-84-1120	12	A	27.61	27.43	20.32
050-84-1125	12	C			
050-84-1150	15	A	27.61	27.43	20.32
050-84-1155	15	C			
366480001	1	D	27.43	7.37	----
366480002	2	D		14.73	7.62
366480003	3	D	27.43		
366480004	4	D			
366480005	6	D			
366480006	9	D			
366480007	12	D			
366480008	15	D			

**NOTES:**

- 1) MATERIAL CODES:  
 \*A\*= NYLON TYPE 6/6, 94V-2  
 COLOR: NATURAL (WHITE/TRANSLUCENT)  
 \*C\*= NYLON TYPE 6/6, 94V-0  
 COLOR: NATURAL (WHITE)  
 \*D\*= NYLON, 94V-2  
 COLOR: BLACK (ZYTEL 101F)
- 2) UNLESS OTHERWISE INDICATED, DIMENSIONS ARE FOR REFERENCE ONLY.
- 3) PLUG HOUSINGS MATE WITH :  
 - CAP HOUSINGS, 2.13 DIA. SERIES: (42022-\*\*)
   
- HEADER ASSEMBLY HOUSINGS,  
 2.13 DIA. SERIES: (A-42002-\*\*\*\*)
- 4) HOUSINGS DESIGNED TO BE USED WITH TERMINALS :  
 - PINS, 2.13 DIA. SERIES: (42023-\*\*\*\*)  
 - SOCKETS, 2.13 DIA. SERIES: (42024-\*\*\*\*)
- 5) CONTACTS ARE ON 6.35 GRID CENTERLINE SPACING.
- 6) PRODUCT SPECIFICATION PS-42022-0001 APPLIES.
- 7) FOR GLOW EIRE COMPATIBLE PART NUMBERS REFER DOCUMENT NO SD-36643-009.

SEE SHEET 1 EC NO: I2018-0003 DRWN:GES 2017/08/03 CHKD:SNAGARVENK42017/08/03 APPR:KPRASAD 2017/09/07	DESCRIPTION REV	QUALITY SYMBOLS	GENERAL TOLERANCES (UNLESS SPECIFIED)		DIMENSION STYLE <b>MM ONLY</b>		SCALE 1:1	DESIGN UNITS METRIC	THIRD ANGLE PROJECTION
		▽=0	4 PLACES ± ---	± ---	mm	INCH	DRAWN BY RK	DATE 87/11/16	TITLE HOUSING, PLUG 2.13 DIA. SERIES
		▽=0	3 PLACES ± ---	± .010			CHECKED BY GWF	DATE 87/11/16	
		▽=0	2 PLACES ± 0.25	± 0.14			APPROVED BY GWF	DATE 87/11/16	
		1 PLACE ± 0.36	± ---			MATERIAL NO.	DOCUMENT NO.		
		0 PLACE ±	±			<b>SEE TABLE</b> SD-42021-**		SHEET NO. 2 OF 2	
		ANGULAR ± ---°				DRAFT WHERE APPLICABLE MUST REMAIN WITHIN DIMENSIONS			
						THIS DRAWING CONTAINS INFORMATION THAT IS PROPRIETARY TO MOLEX INCORPORATED AND SHOULD NOT BE USED WITHOUT WRITTEN PERMISSION			