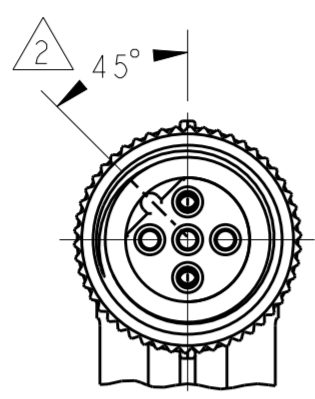
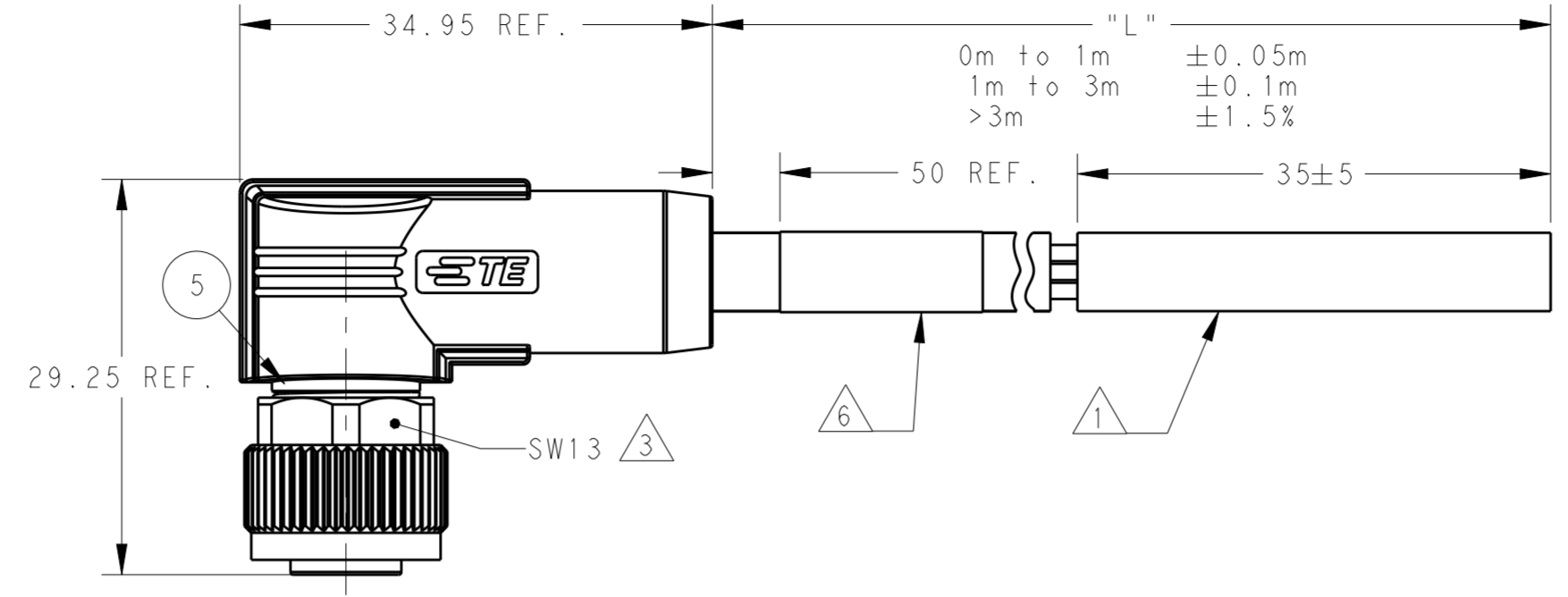


THIS DRAWING IS UNPUBLISHED. RELEASED FOR PUBLICATION 20
 © COPYRIGHT 20 BY - ALL RIGHTS RESERVED.

| ITEM | DESCRIPTION | MATERIAL | OTHERS |
|------|----------------|--------------|---------------|
| 1 | FEMALE CONTACT | COPPER ALLOY | GOLD PLATED |
| 2 | HOUSING | NYLON | BLACK |
| 3 | COUPLING NUT | COPPER ALLOY | NICKEL PLATED |
| 4 | OVER-MOLDING | TPU | BLACK |
| 5 | SHIELDED SHELL | COPPER ALLOY | NICKEL PLATED |
| 6 | O-RING | SILICONE | GRAY |
| 7 | CABLE | PUR JACKET | VIOLET |
| 8 | LABEL | - | - |

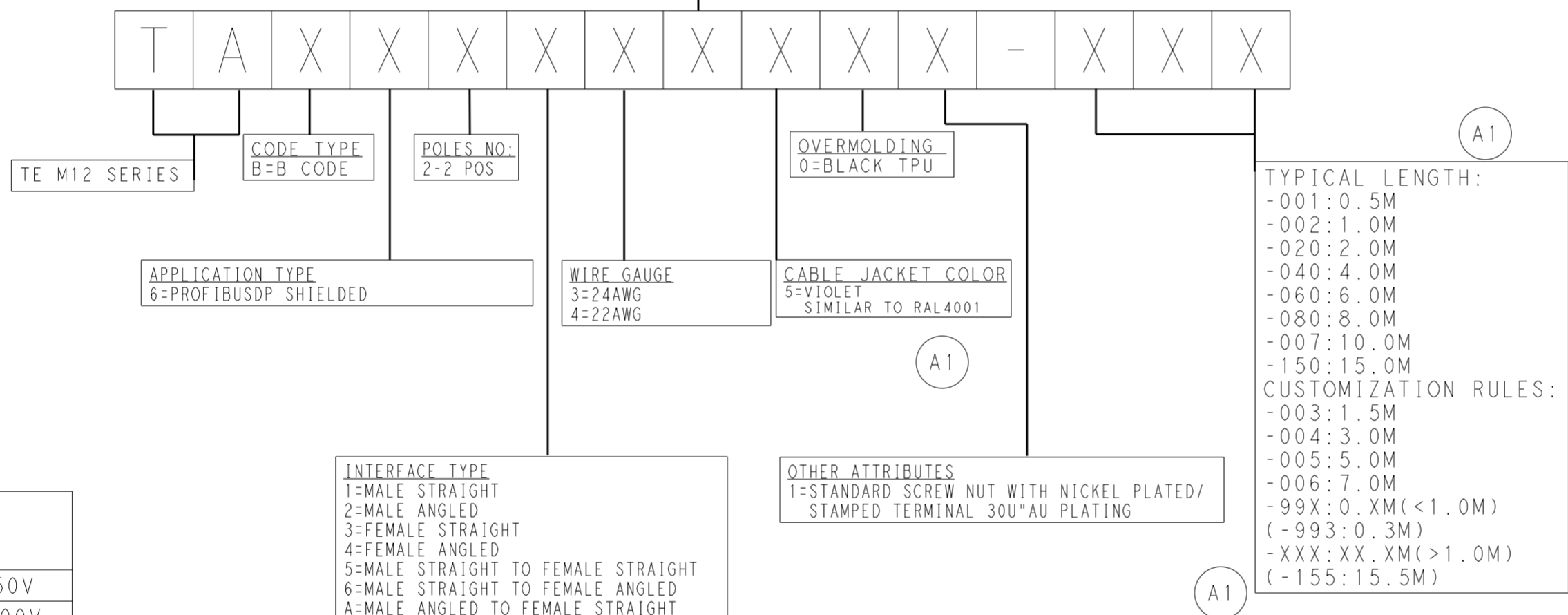
| REVISIONS | | | | |
|-----------|-----|---------------------|-----------|---------|
| P | LTR | DESCRIPTION | DATE | APVD |
| | A | INITIAL RELEASE | 01AUG2019 | A.Z C.W |
| | A1 | CLARIFY TYPICAL PNS | 22JUN2020 | A.Z C.W |



NOTE:
 1. STRIP AND RETAIN THE INSULATION
 2. CODE POSITION INDICATOR
 3. RECOMMENDED TORQUE 0.6 Nm
 4. -** : CABLE LENGTH, FOR EXAMPLE: -0.5M
 5. CABLE ASSEMBLY TO BE PACKAGED IN POLYBAGS
 6. LABEL CONTAINS: PN, DATE CODE...

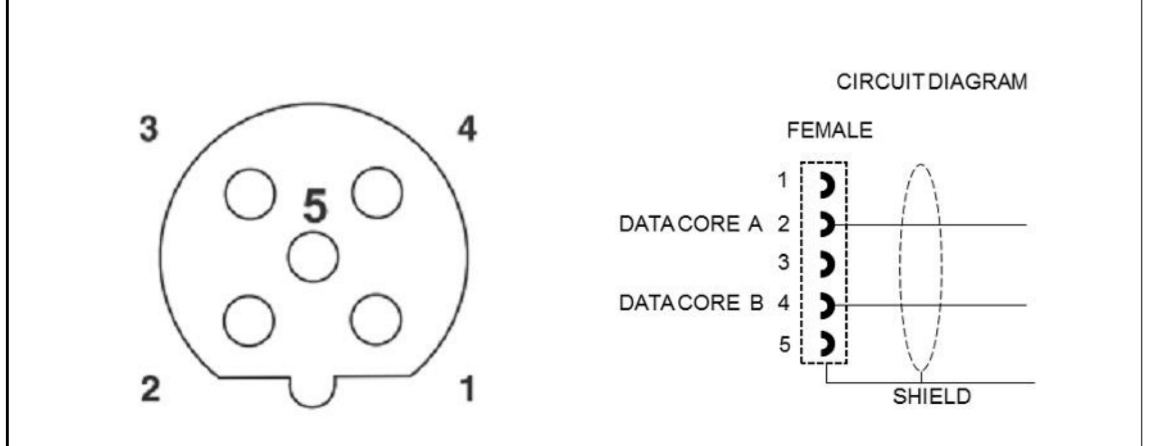
注释:
 1. 剥线并保留护套绝缘层
 2. CODE位置指示
 3. 推荐扭矩0.6 Nm
 4. -** : 线缆长度, 例如: -0.5M
 5. 线缆组件塑料袋包装
 6. 标签包含: 产品编号, 日期代码...

TE PN CODING:

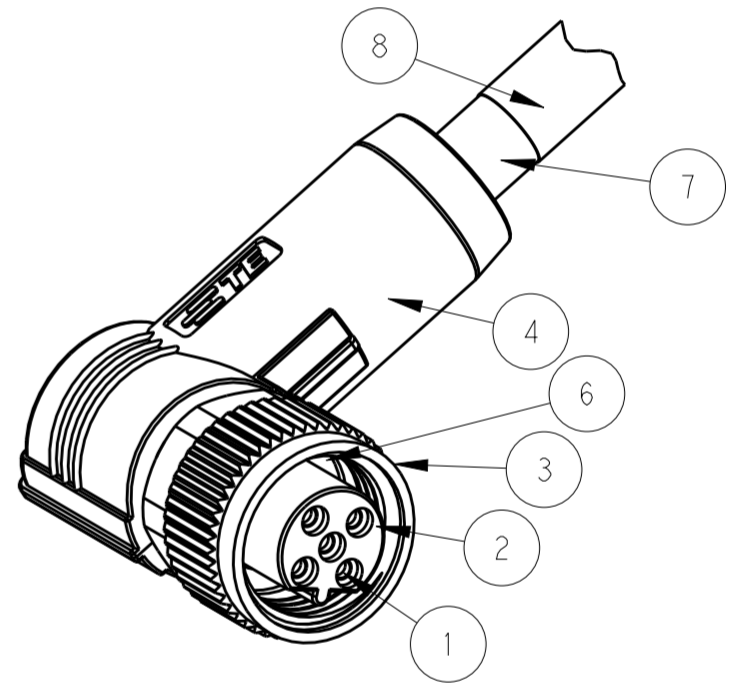


TECHNICAL DATA

| | |
|-----------------------|-------|
| RATED VOLTAGE | 250V |
| RATED IMPULSE VOLTAGE | 2500V |
| RATED CURRENT | 4A |
| POLLUTION DEGREE | 3 |
| OVERVOLTAGE CATEGORY | II |
| MATERIAL GROUP | II |
| DEGREE OF PROTECTION | IP67 |



| CABLE CHARACTERISTIC | LENGTH "L" | JACKET COLOR | JACKET MATERIAL | TYPE | POS. | TE PN |
|---|---|--------------|-----------------|---------------------------|------|-----------------|
| WIRES: 22AWG WIRE COLOR: RED AND GREEN OD: APPROX. 8.0MM TEMPERATURE RATING: 80°C UL OPERATION TEMP RATING: -25°C To +75°C APPLICATIONS: FLEXIBLE, SUITABLE FOR ±180° TORSION APPLICATION, 5 MILLION CYCLES FOR 1M LENGTH | TYPICAL LENGTH: -001: 0.5M -002: 1.0M -020: 2.0M -040: 4.0M -060: 6.0M -080: 8.0M -007: 10.0M -150: 15.0M CUSTOMIZATION RULES: -003: 1.5M -004: 3.0M -005: 5.0M -006: 7.0M -99X: 0.XM (<1.0M) (-993: 0.3M) -XXX: XX.XM (>1.0M) (-155: 15.5M) | VIOLET | PUR | M12B2-FR-PUR TORSION-** 4 | 2 | TAB62446501-XXX |
| WIRES: 24AWG WIRE COLOR: RED AND GREEN OD: APPROX. 7.8MM TEMPERATURE RATING: 80°C UL OPERATION TEMP RATING: -40°C To +80°C APPLICATIONS: FLEXIBLE, SUITABLE FOR DRAG CHAIN, MIN. 1 MILLION CYCLES, DIAMETER 75MM, SPEED 2m/s, ACCELERATION 2m/s² | TYPICAL LENGTH: -001: 0.5M -002: 1.0M -020: 2.0M -040: 4.0M -060: 6.0M -080: 8.0M -007: 10.0M -150: 15.0M CUSTOMIZATION RULES: -003: 1.5M -004: 3.0M -005: 5.0M -006: 7.0M -99X: 0.XM (<1.0M) (-993: 0.3M) -XXX: XX.XM (>1.0M) (-155: 15.5M) | VIOLET | PUR | M12B2-FR-PUR-** 4 | 2 | TAB62435501-XXX |



THIS DRAWING IS A CONTROLLED DOCUMENT.

| | |
|----------------------------|--|
| DWN: ALEX ZHANG 11APR2019 | TE Connectivity NAME: M12 B CODE CABLE ASSY, SHIELDED 2P, FR FREE END PRODUCT SPEC: 108-106140 APPLICATION SPEC: - WEIGHT: - SCALE: 2:1 SHEET 1 OF 1 REV A1 |
| CHK: HART HE 11APR2019 | |
| APVD: CHRIS WANG 11APR2019 | |
| PRODUCT SPEC: 108-106140 | |
| MATERIAL: - | RESTRICTED TO: - |
| CUSTOMER DRAWING | SCALE: 2:1 SHEET 1 OF 1 REV A1 |