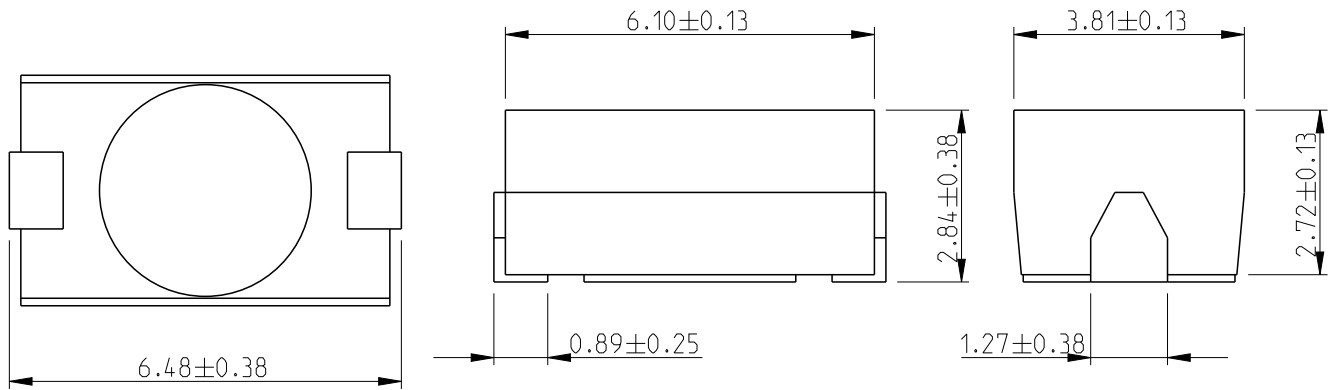
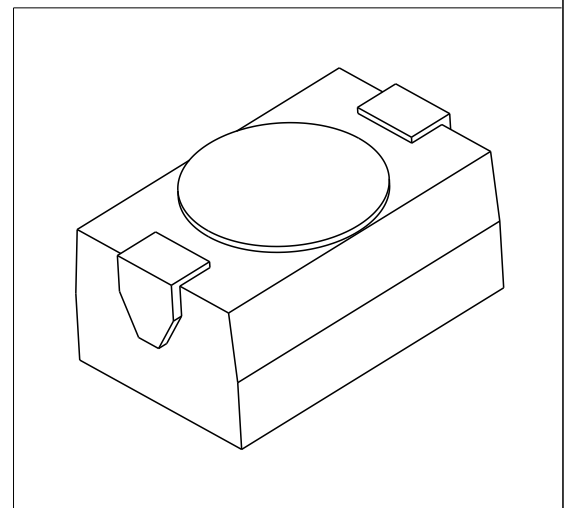
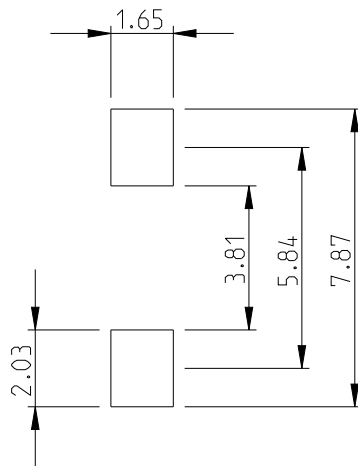


REVISIONS					
P	LTR	DESCRIPTION	DATE	DWN	APVD
	BA	NEW RELEASE	10JULY2010	PT	St.P
	BA1	ECR-13-018622	28NOV2013	KR	TN

FOR FURTHER INFORMATION SEE DATA SHEET FOR SERIES S - SMD MOULDED POWER RESISTOR



RECOMMENDED LAND PATTERN



2008


RELEASED FOR PUBLICATION

ALL RIGHTS RESERVED.

THIS DRAWING IS UNPUBLISHED.

BY -

© COPYRIGHT 2008

DIMENSIONS: mm	DWN PARUSURAM.T	10JULY2010	MATERIAL	-	FINISH	-
	CHK ALLAN.P	10JULY2010	 TE Connectivity			
TOLERANCES UNLESS OTHERWISE SPECIFIED:	APVD STEPHEN.P	10JULY2010				
	0 PLC ± 0.2	PRODUCT SPEC	NAME	SMD PRECISION CURRENT SENSE RESISTOR SERIES SL1		
1 PLC ± 0.1			SIZE	CAGE CODE	DRAWING NO	RESTRICTED TO
2 PLC \pm			A 4	00779	C=1624260	-
3 PLC \pm			Customer Drawing			
4 PLC \pm			SCALE	8:1	SHEET	1 OF 1
ANGLES $\pm 5^\circ$			WEIGHT	-	REV	BA1