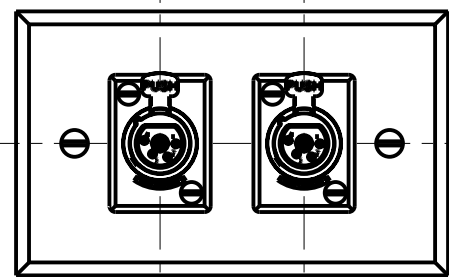
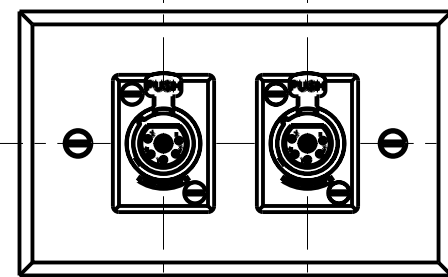


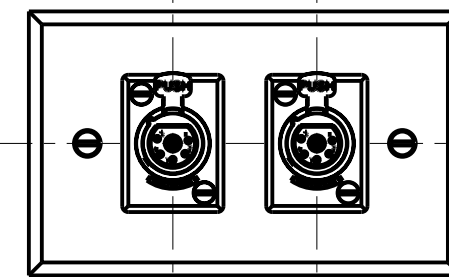
3 PIN



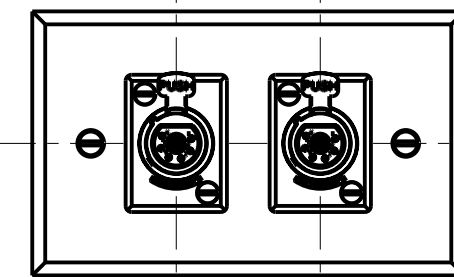
4 PIN



5 PIN



6 PIN

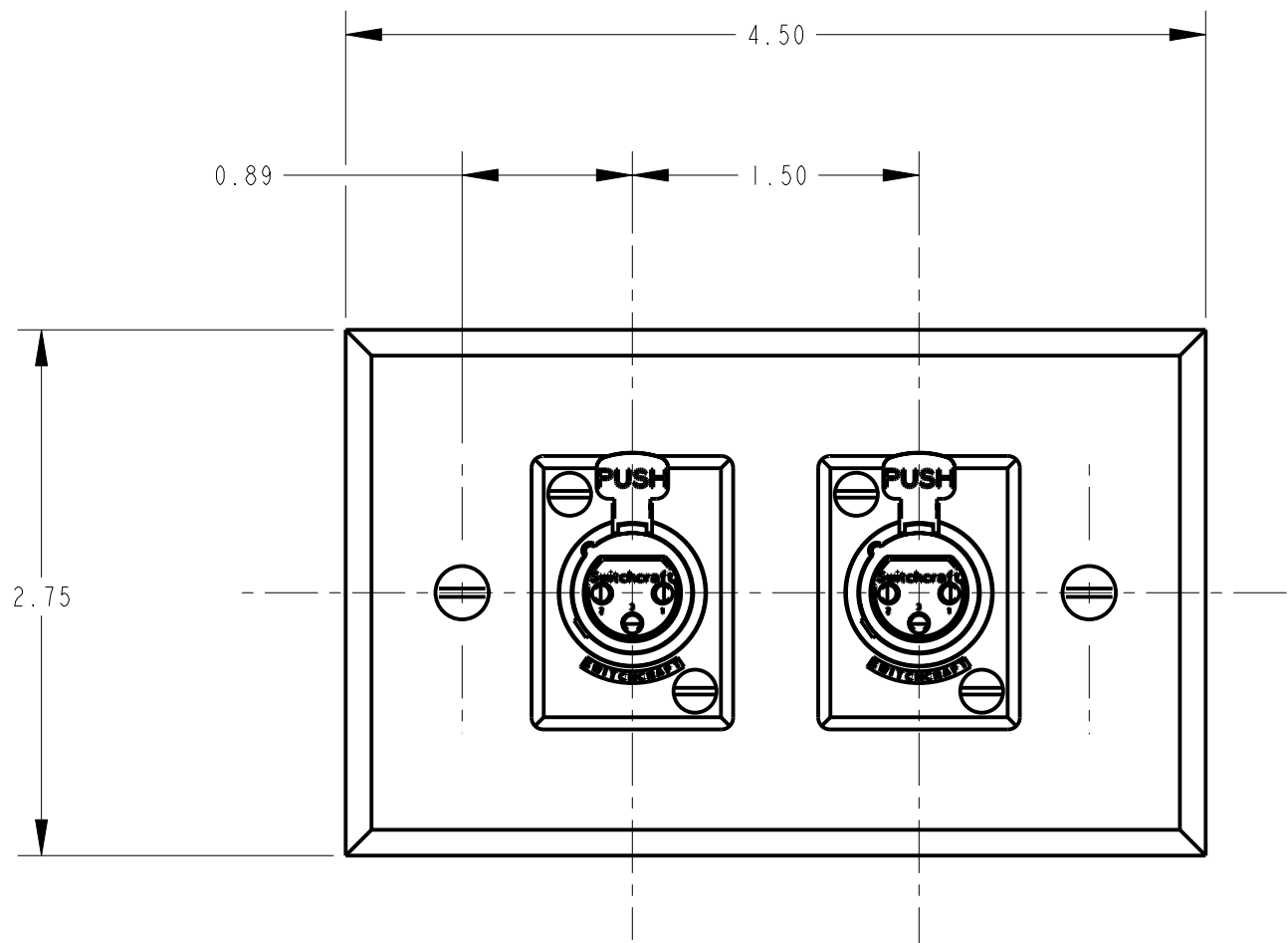
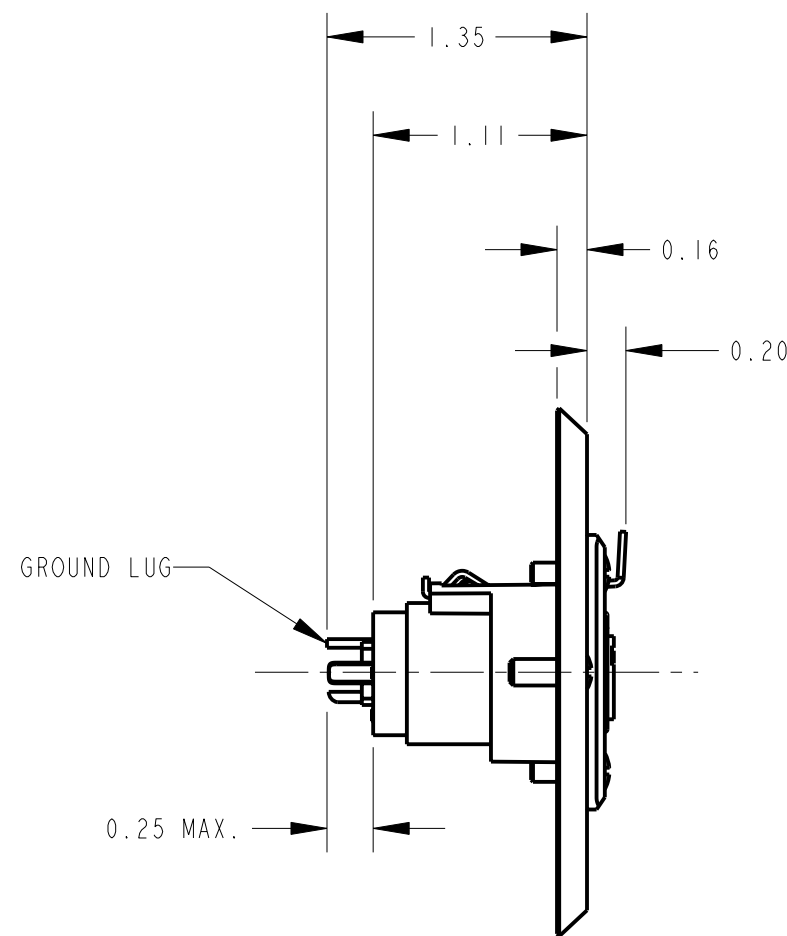
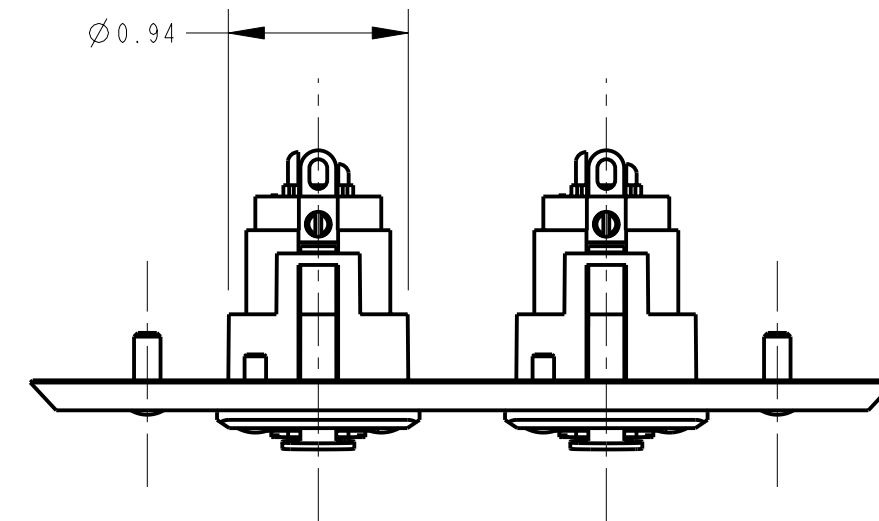


7 PIN

SCALE 1:2

NOTES:

1. MOUNTING SCREWS SHIPPED UNASSEMBLED.
2. ALL DIMENSIONS REF. UNLESS OTHERWISE SPECIFIED.



CUSTOMER DRAWING

STANDARD SERIES

- INSERT MTG. SCREW - STAINLESS STEEL
- SHELL - STAINLESS STEEL
- RELEASE LEVER - STEEL, NICKEL PLATED
- LATCH BUTTON - ZINC, NICKEL PLATED
- LATCH SPRING - STAINLESS STEEL
- INSULATORS - POLYESTER, GREEN
- SOLDER TERMINAL - BRASS, ELECTRO TIN PLATED
- CONTACT PIN - PHOSPHOR BRONZE, SILVER PLATED
- HOUSING - ZINC, NICKEL PLATED
- CONNECTOR MTG. SCREWS - BRASS, NICKEL PLATED
- WALL PLATE MTG. SCREWS - STAINLESS STEEL
- WALL PLATE - STAINLESS STEEL
- NUTS - BRASS, NICKEL PLATED

K F S

- NO. OF CONTACTS:
- 3 = 3 CONTACTS
  - 4 = 4 CONTACTS
  - 5 = 5 CONTACTS
  - 6 = 6 CONTACTS
  - 7 = 7 CONTACTS

G	20627	2-26-96	SG	SG
F	ECO #20114	8-14-95	GHJ	GHJ
E	ECO #20032	8-2-95	GHJ	GHJ
D	ECO #19993	7-1-95	GHJ	GHJ
C	ECO #19851	5-14-95	GHJ	GHJ
H	22895	9-20-99	TJK	TJK
REV	ECO NUMBER	DATE	BY	APVD
REVISIONS				

★ STAR SYMBOL DENOTES CRITICAL DIMENSION

~~UNLESS OTHERWISE SPECIFIED~~

1. ALL DIMENSIONS IN INCHES  
 - TWO PLACE DECIMALS ±0.01  
 - THREE PLACE DECIMALS ±0.005  
 - FRACTIONAL DIMENSIONS ±1/64  
 - ANGLES ±1°  
 - ALL DIA. CONCENTRIC WITHIN 0.005 T.I.R.

2. FEATURES ON THE SAME CENTERLINE MUST BE ALIGNED WITHIN ±0.002

3. REMOVE ALL BURRS

DO NOT SCALE DRAWING

THIS DRAWING DESCRIBES A DESIGN CONSIDERED PROPRIETARY IN NATURE, DEVELOPED AND MANUFACTURED BY SWITCHCRAFT INC. AND IS RELEASED ON A CONFIDENTIAL BASIS FOR IDENTIFICATION PURPOSES ONLY.				
SIZE	WIDTH	MULT	LBS/M	TEMPER
FINISH		MATERIAL SPEC No.		
FIRST USED ON		SCALE 1:1		
DATE DRAWN	BY	CHKD	APVD	<b>Switchcraft®</b>
15-Aug-94	SG	8-22-94	8-22-91	
NAME			PART No.	REV
K SERIES WALL MOUNT FEMALE OG			K_F_S SERIES	H