

**REVISION D**

BY SIGNING THIS DOCUMENT YOU ARE ACCEPTING THE CONDITIONS SET WITHIN. YOUR REQUIREMENTS MUST BE LISTED WITHIN THIS DRAWING. WHERE NO DIRECTION FROM THE CUSTOMER IS IDENTIFIED SAMTEC'S PROCESS REQUIREMENTS WILL BE USED.

DATE: \_\_\_\_\_  
 COMPANY: \_\_\_\_\_  
 CUSTOMER SIGNATURE: \_\_\_\_\_  
 PRINTED NAME: \_\_\_\_\_  
 PHONE No: \_\_\_\_\_  
 EXCEPTIONS: \_\_\_\_\_

- NOTES:
1. MINIMUM PUSHOUT FORCE: 1.6N
  2. PARTS TO BE PACKAGED IN TAPE & REEL.
  3. SEE SHT 2 FOR PROCESSING INFORMATION.
  4. ATTACH LABEL -4X2 TO EACH REEL.
  5. ORDERS WILL BE PACKAGED ACCORDING TO THE SAMTEC PACKAGING EFFICIENCY STANDARDS (SPES) FOUND ON WWW.SAMTEC.COM.

**DESIGNED AND DIMENSIONED IN MILLIMETERS [INCHES]  
 ALL DIMENSIONS REFERENCE EXCEPT AS SHOWN**

DO NOT SCALE FROM THIS PRINT

SOME CENTER FEATURES NOT SHOWN FOR CLARITY

3.86 [0.152]  
 (TOP OF PAD TO BOTTOM OF SOLDERBALLS)

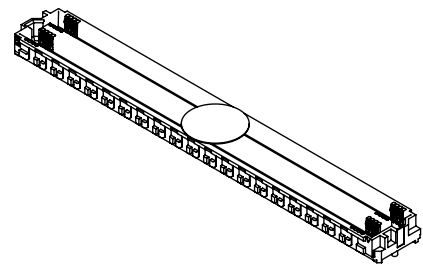
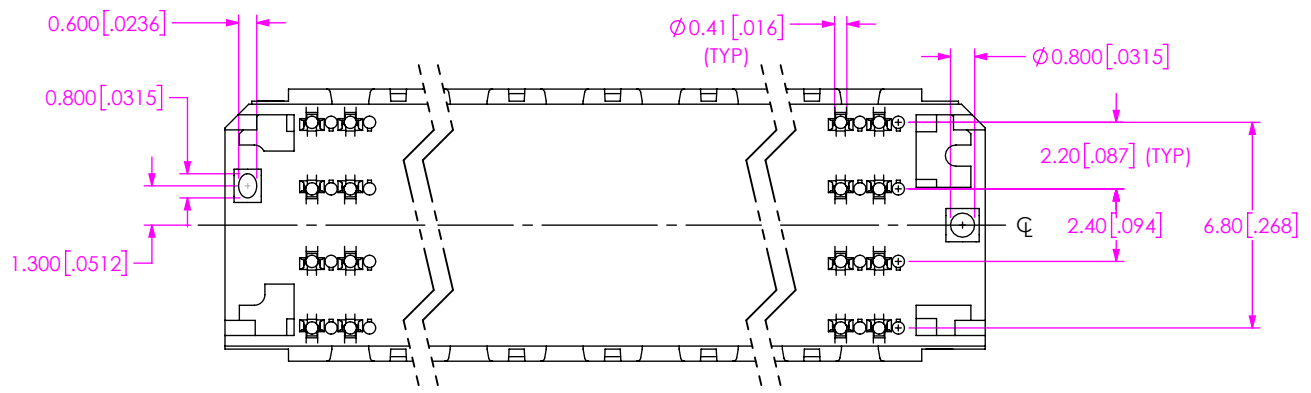
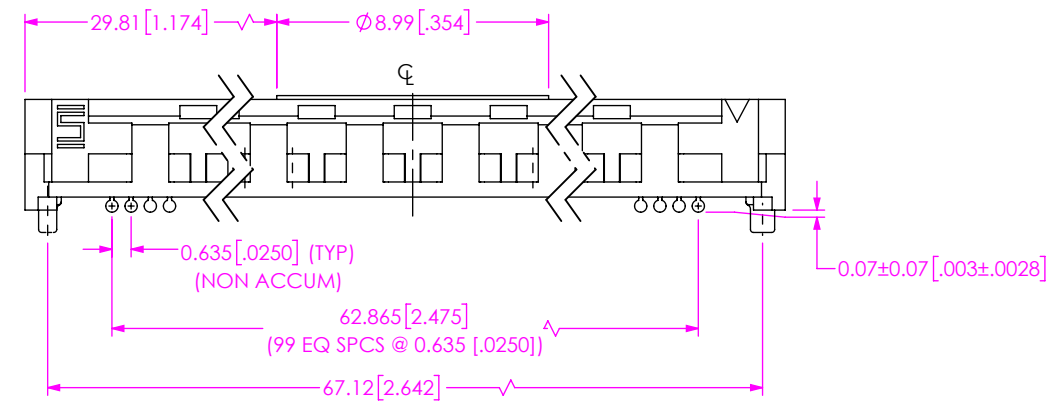
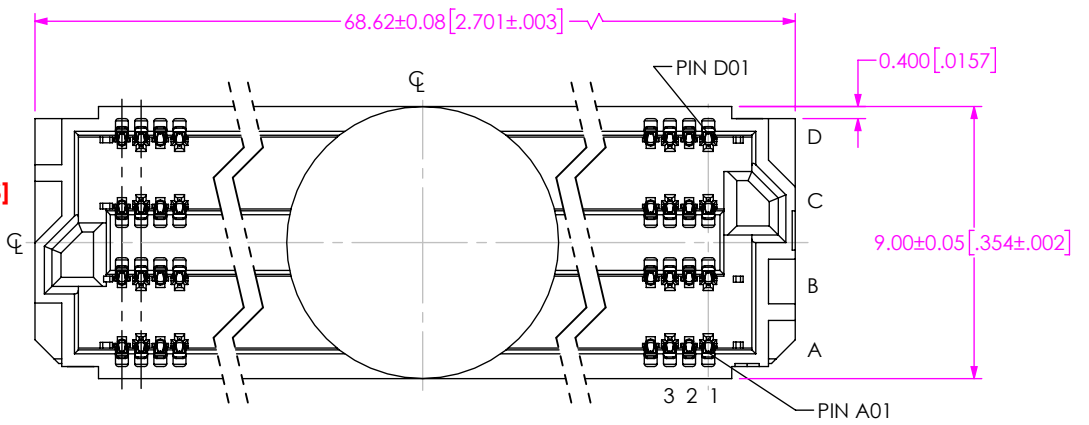
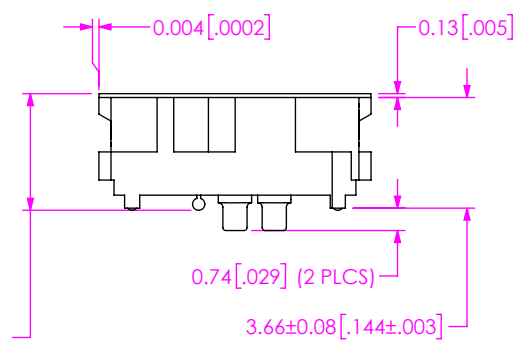
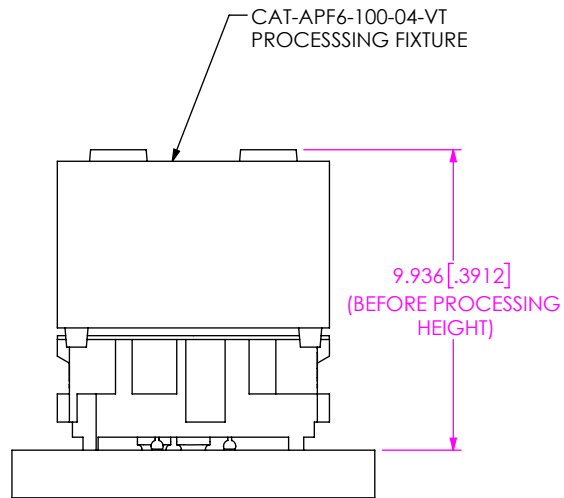
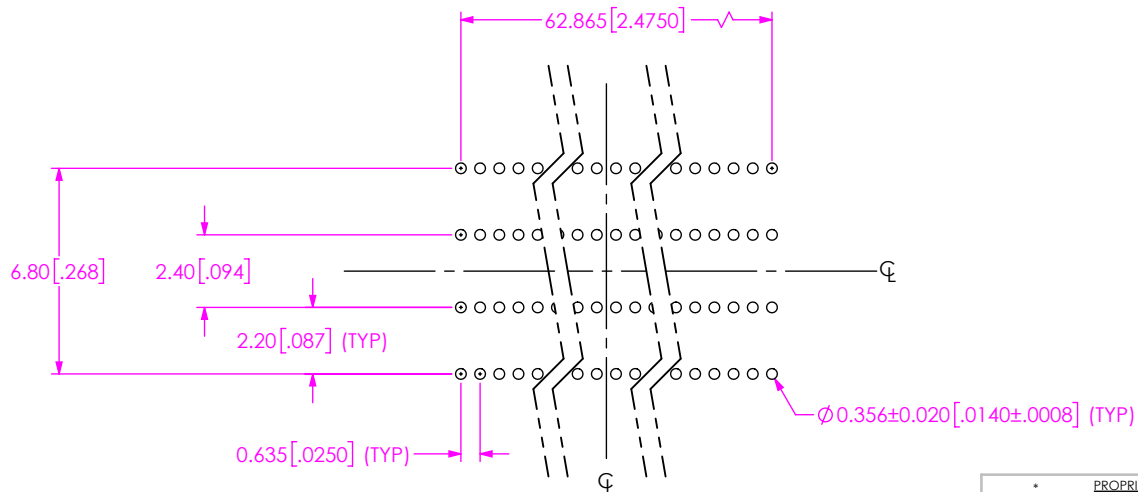


FIG 1  
 (ASP-209946-01 SHOWN)

<p><b>PROPRIETARY NOTE</b></p> <p>THIS DOCUMENT CONTAINS CONFIDENTIAL AND PROPRIETARY INFORMATION AND ALL DESIGN, MANUFACTURING, REPRODUCTION, USE, PATENT RIGHTS AND SALES RIGHTS ARE EXPRESSLY RESERVED BY SAMTEC, INC. THIS DOCUMENT SHALL NOT BE DISCLOSED, IN WHOLE OR PART, TO ANY UNAUTHORIZED PERSON OR ENTITY NOR REPRODUCED, TRANSFERRED OR INCORPORATED IN ANY OTHER PROJECT IN ANY MANNER WITHOUT THE EXPRESS WRITTEN CONSENT OF SAMTEC, INC.</p>		<p><b>samtec</b></p> <p>520 PARK EAST BLVD, NEW ALBANY, IN 47150                  PHONE: 812-944-6733 FAX: 812-948-5047                  e-Mail: info@SAMTEC.com code 53322</p>
<p>DO NOT SCALE DRAWING</p> <p>SHEET SCALE: 4:1</p> <p>MATERIAL:                  INSULATOR: LCP, COLOR: NATURAL                  CONTACT: COPPER ALLOY                  PLATING:                  CONTACT AREA: .00010" GOLD OVER .000050" NICKEL                  REMAINDER: .000200" REF TIN OVER .000050" NICKEL</p>	<p>DESCRIPTION:                  CUSTOM COM HPC FEMALE ASSEMBLY</p> <p>DWG. NO.                  ASP-209946-01</p>	
<p>F:\DWG\MISC\MKTG\ASP-209946-01-MKT.SLDDRW</p>		<p>BY: J. BROWNING 01/16/2019 SHEET 1 OF 9</p>



**PROCESSING VIEW**  
 DIMENSION INDICATES CONNECTOR/FIXTURE HEIGHT ON PCB  
 TO GUARANTEE ENOUGH REFLOW OVEN WORKING SPACE.  
 DIMENSION, PCB THICKNESS, AND THE HEIGHT OF THE COMPONENTS  
 ON THE OTHER SIDE OF THE BOARD NEED TO BE CONSIDERED.



**RECOMMENDED STENCIL LAYOUT**  
 ALL DIMENSIONS SYMMETRIC ABOUT CENTERLINE  
 (STENCIL TO BE 0.125[.0050] THICK)

**PROPRIETARY NOTE**  
 THIS DOCUMENT CONTAINS CONFIDENTIAL AND  
 PROPRIETARY INFORMATION AND ALL DESIGN,  
 MANUFACTURING, REPRODUCTION, USE, PATENT RIGHTS  
 AND SALES RIGHTS ARE EXPRESSLY RESERVED BY SAMTEC,  
 INC. THIS DOCUMENT SHALL NOT BE DISCLOSED, IN WHOLE  
 OR PART, TO ANY UNAUTHORIZED PERSON OR ENTITY NOR  
 REPRODUCED, TRANSFERRED OR INCORPORATED IN ANY  
 OTHER PROJECT IN ANY MANNER WITHOUT THE EXPRESS  
 WRITTEN CONSENT OF SAMTEC, INC.



520 PARK EAST BLVD., NEW ALBANY, IN 47150  
 PHONE: 812-944-6733 FAX: 812-948-5047  
 e-Mail info@SAMTEC.com code 55322

SHEET SCALE: 2:1

DESCRIPTION:  
 CUSTOM COM HPC FEMALE ASSEMBLY

DWG. NO.  
 ASP-209946-01

BY: J. BROWNING 01/16/2019 SHEET 2 OF 9

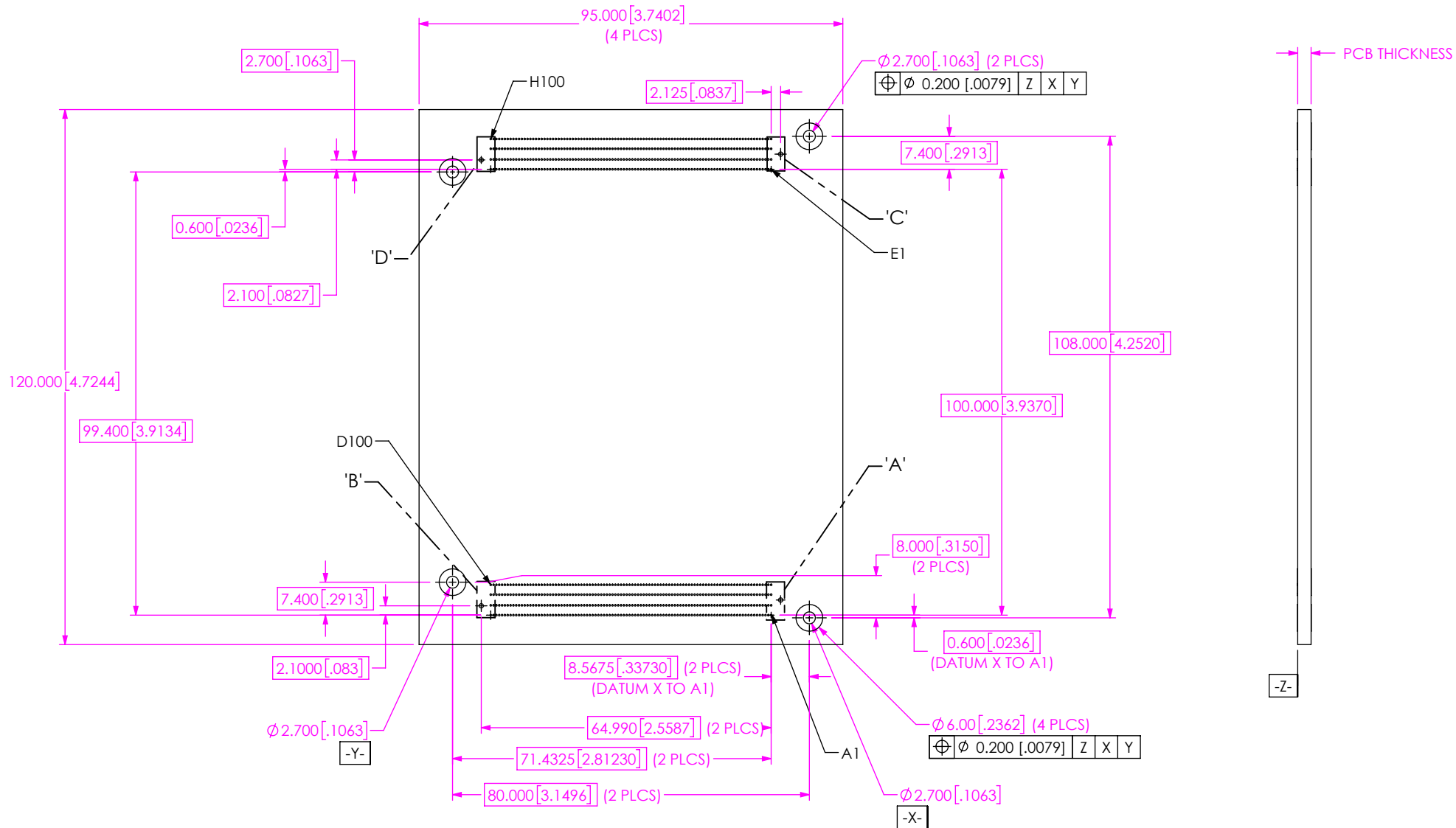
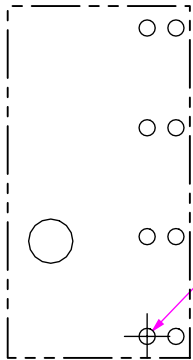


FIG 2  
COM-HPC® MODULE SIZE A  
((RECOMMENDED PCB LAYOUT FOR COM-HPC®))

<p>PROPRIETARY NOTE</p> <p>THIS DOCUMENT CONTAINS CONFIDENTIAL AND PROPRIETARY INFORMATION AND ALL DESIGN, MANUFACTURING, REPRODUCTION, USE, PATENT RIGHTS AND SALES RIGHTS ARE EXPRESSLY RESERVED BY SAMTEC, INC. THIS DOCUMENT SHALL NOT BE DISCLOSED, IN WHOLE OR PART, TO ANY UNAUTHORIZED PERSON OR ENTITY NOR REPRODUCED, TRANSFERRED OR INCORPORATED IN ANY OTHER PROJECT IN ANY MANNER WITHOUT THE EXPRESS WRITTEN CONSENT OF SAMTEC, INC.</p>	<p>DESCRIPTION: CUSTOM COM HPC FEMALE ASSEMBLY</p>
	<p>DWG. NO. ASP-209946-01</p>
<p>SHEET SCALE: 2:1</p>	<p>BY: J. BROWNING 01/16/2019 SHEET 3 OF 9</p>



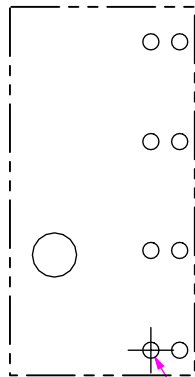
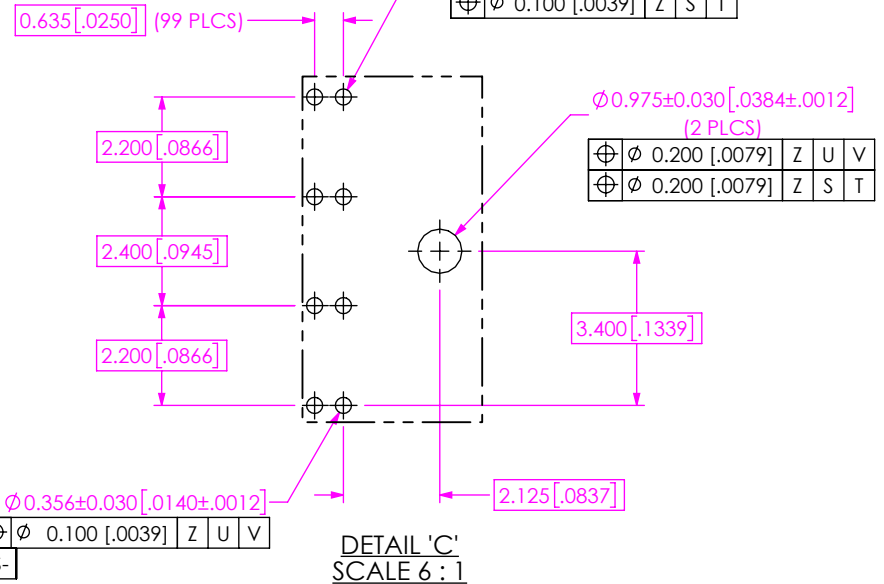
$\phi 0.356 \pm 0.030 [0.140 \pm 0.012]$

$\phi 0.100 [0.0039]$	Z	U	V
$\phi 0.200 [0.0079]$	Z	S	
-T-			

DETAIL 'D'  
SCALE 6 : 1

$\phi 0.356 \pm 0.030 [0.140 \pm 0.012]$   
(398 PLCS)

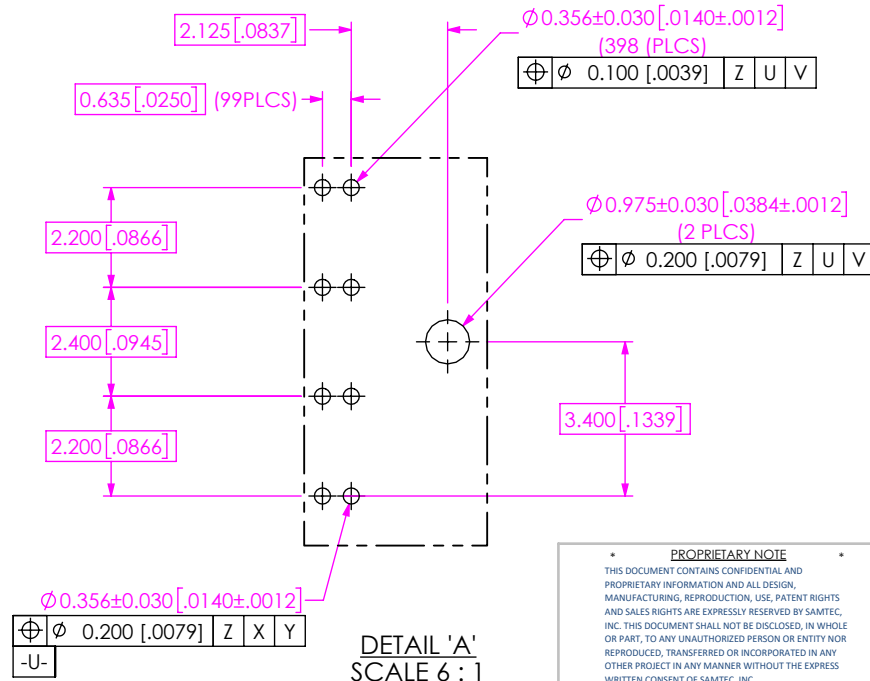
$\phi 0.100 [0.0039]$	Z	U	V
$\phi 0.100 [0.0039]$	Z	S	T




$\phi 0.356 \pm 0.030 [0.140 \pm 0.012]$

$\phi 0.200 [0.0079]$	Z	X	Y
$\phi 0.100 [0.0039]$	Z	U	
-V-			

DETAIL 'B'  
SCALE 6 : 1



<p>PROPRIETARY NOTE</p> <p>THIS DOCUMENT CONTAINS CONFIDENTIAL AND PROPRIETARY INFORMATION AND ALL DESIGN, MANUFACTURING, REPRODUCTION, USE, PATENT RIGHTS AND SALES RIGHTS ARE EXPRESSLY RESERVED BY SAMTEC, INC. THIS DOCUMENT SHALL NOT BE DISCLOSED, IN WHOLE OR PART, TO ANY UNAUTHORIZED PERSON OR ENTITY NOR REPRODUCED, TRANSFERRED OR INCORPORATED IN ANY OTHER PROJECT IN ANY MANNER WITHOUT THE EXPRESS WRITTEN CONSENT OF SAMTEC, INC.</p>	
SHEET SCALE: 2:1	
F:\DWG\MISC\MKTG\ASP-209946-01-MKT.SLDDRW	

 <p>520 PARK EAST BLVD., NEW ALBANY, IN 47150 PHONE: 812-944-6733 FAX: 812-948-5047 e-Mail info@SAMTEC.com code 55322</p>	
DESCRIPTION: CUSTOM COM HPC FEMALE ASSEMBLY	
DWG. NO.	ASP-209946-01
BY: J. BROWNING 01/16/2019	SHEET 4 OF 9

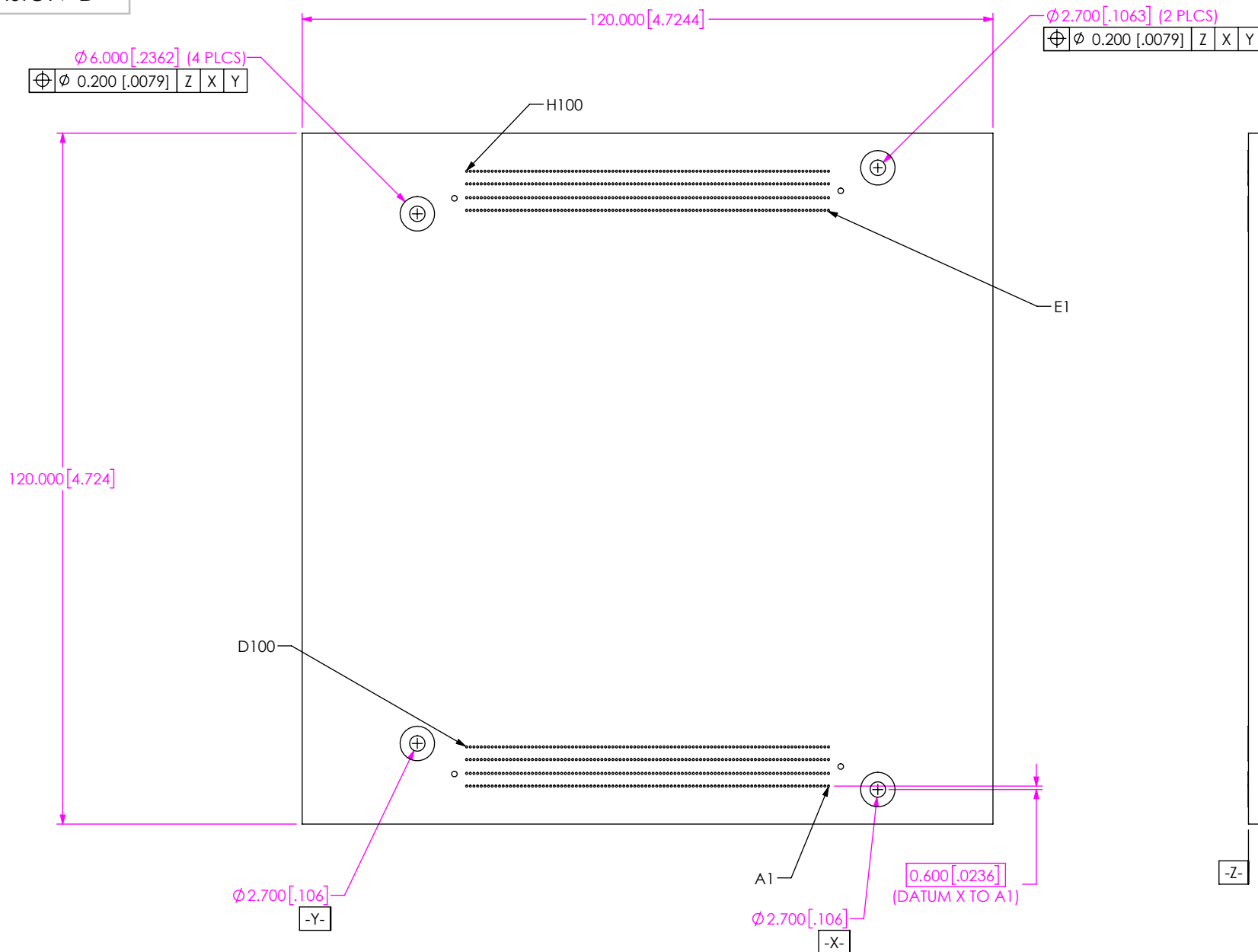


FIG 3  
 COM-HPC<sup>®</sup> MODULE SIZE B  
 (SAME AS FIG 2, EXCEPT AS SHOWN)  
 (RECOMMENDED PCB LAYOUT FOR COM-HPC)

<p><b>PROPRIETARY NOTE</b></p> <p>THIS DOCUMENT CONTAINS CONFIDENTIAL AND PROPRIETARY INFORMATION AND ALL DESIGN, MANUFACTURING, REPRODUCTION, USE, PATENT RIGHTS AND SALES RIGHTS ARE EXPRESSLY RESERVED BY SAMTEC, INC. THIS DOCUMENT SHALL NOT BE DISCLOSED, IN WHOLE OR PART, TO ANY UNAUTHORIZED PERSON OR ENTITY NOR REPRODUCED, TRANSFERRED OR INCORPORATED IN ANY OTHER PROJECT IN ANY MANNER WITHOUT THE EXPRESS WRITTEN CONSENT OF SAMTEC, INC.</p>	<p><b>samtec</b></p> <p>520 PARK EAST BLVD., NEW ALBANY, IN 47150                  PHONE: 812-944-6733 FAX: 812-948-5047                  e-Mail info@SAMTEC.com code 55322</p>	
	<p>DESCRIPTION:                  CUSTOM COM HPC FEMALE ASSEMBLY</p>	<p>DWG. NO.                  ASP-209946-01</p>
<p>SHEET SCALE: 2:1</p>	<p>BY: J. BROWNING 01/16/2019 SHEET 5 OF 9</p>	

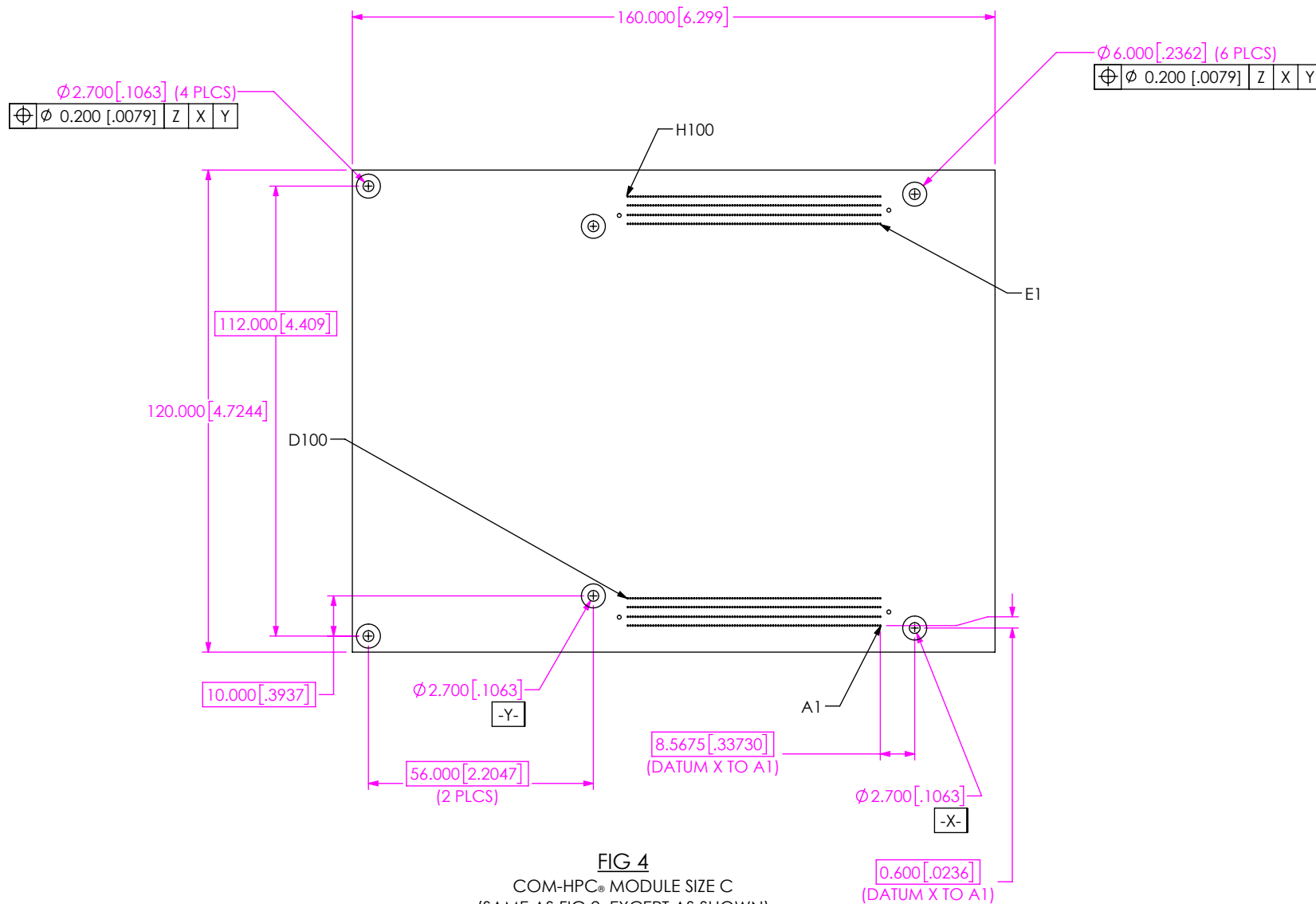
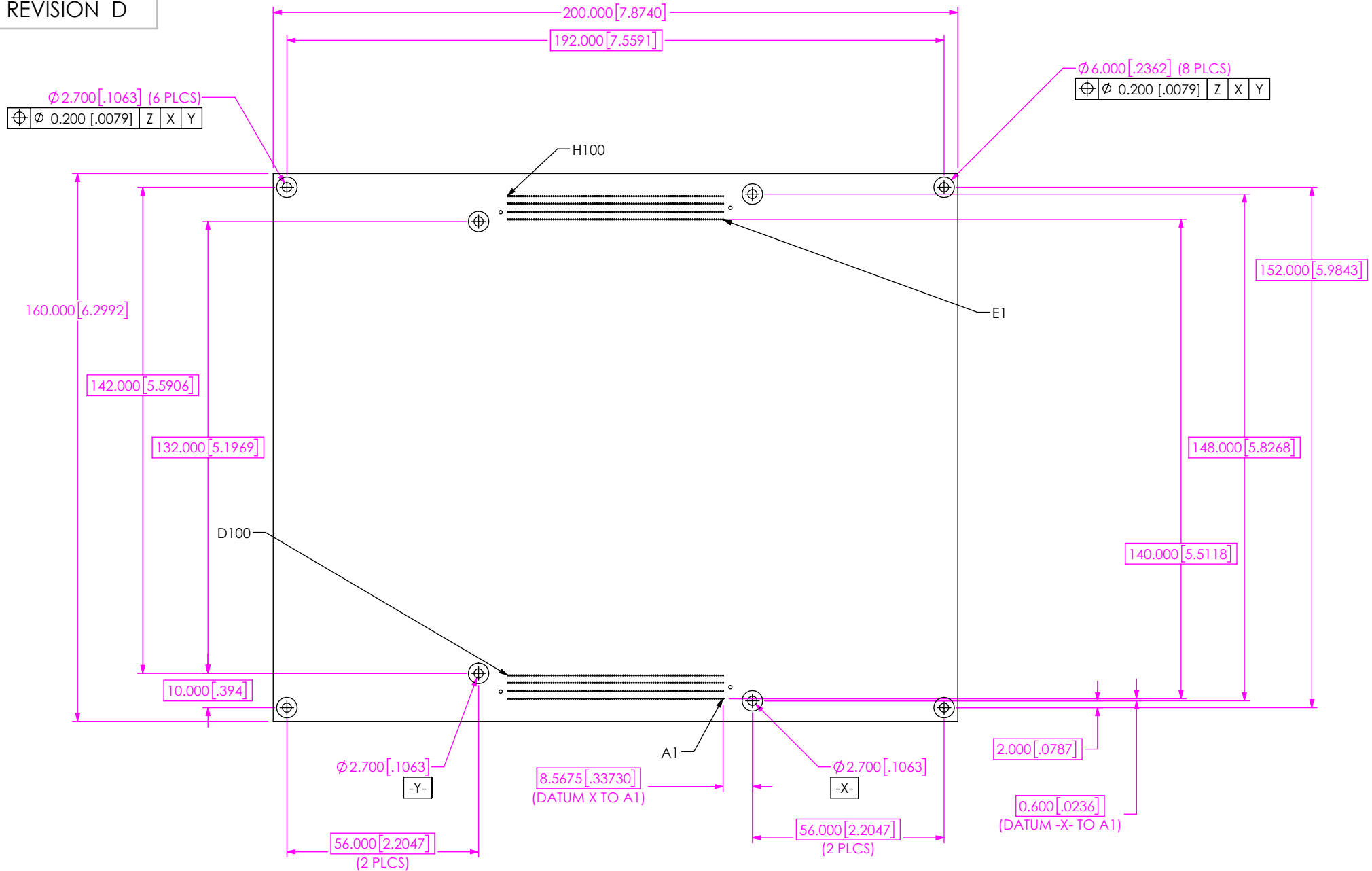


FIG 4  
 COM-HPC® MODULE SIZE C  
 (SAME AS FIG 2, EXCEPT AS SHOWN)  
 (RECOMMENDED PCB LAYOUT FOR COM-HPC®)

<p><b>PROPRIETARY NOTE</b></p> <p>THIS DOCUMENT CONTAINS CONFIDENTIAL AND PROPRIETARY INFORMATION AND ALL DESIGN, MANUFACTURING, REPRODUCTION, USE, PATENT RIGHTS AND SALES RIGHTS ARE EXPRESSLY RESERVED BY SAMTEC, INC. THIS DOCUMENT SHALL NOT BE DISCLOSED, IN WHOLE OR PART, TO ANY UNAUTHORIZED PERSON OR ENTITY NOR REPRODUCED, TRANSFERRED OR INCORPORATED IN ANY OTHER PROJECT IN ANY MANNER WITHOUT THE EXPRESS WRITTEN CONSENT OF SAMTEC, INC.</p>	<p><b>samtec</b></p> <p>520 PARK EAST BLVD, NEW ALBANY, IN 47150          PHONE: 812-944-6733 FAX: 812-948-5047          e-Mail info@SAMTEC.com code 55322</p>
<p>SHEET SCALE: 2:1</p>	<p>DESCRIPTION:          CUSTOM COM HPC FEMALE ASSEMBLY</p>
<p>F:\DWG\MISC\MKTG\ASP-209946-01-MKT.SLDDRW</p>	<p>DWG. NO.          ASP-209946-01</p> <p>BY: J. BROWNING 01/16/2019 SHEET 6 OF 9</p>





**FIG 6**  
 COM-HPC® SIZE E  
 (SAME AS FIG 2, EXCEPT AS SHOWN)  
 (RECOMMENDED PCB LAYOUT FOR COM-HPC®)

<p><b>PROPRIETARY NOTE</b></p> <p>THIS DOCUMENT CONTAINS CONFIDENTIAL AND PROPRIETARY INFORMATION AND ALL DESIGN, MANUFACTURING, REPRODUCTION, USE, PATENT RIGHTS AND SALES RIGHTS ARE EXPRESSLY RESERVED BY SAMTEC, INC. THIS DOCUMENT SHALL NOT BE DISCLOSED, IN WHOLE OR PART, TO ANY UNAUTHORIZED PERSON OR ENTITY NOR REPRODUCED, TRANSFERRED OR INCORPORATED IN ANY OTHER PROJECT IN ANY MANNER WITHOUT THE EXPRESS WRITTEN CONSENT OF SAMTEC, INC.</p>	<p><b>samtec</b></p> <p>520 PARK EAST BLVD, NEW ALBANY, IN 47150                  PHONE: 812-944-6733 FAX: 812-948-5047                  e-Mail: info@SAMTEC.com code 55322</p>	
	<p>SHEET SCALE: 2:1</p>	<p>DESCRIPTION:                  CUSTOM COM HPC FEMALE ASSEMBLY</p> <p>DWG. NO.                  ASP-209946-01</p>
<p>F:\DWG\MISC\MKTG\ASP-209946-01-MKT.SLDDRW</p>		<p>BY: J. BROWNING 01/16/2019 SHEET 8 OF 9</p>



