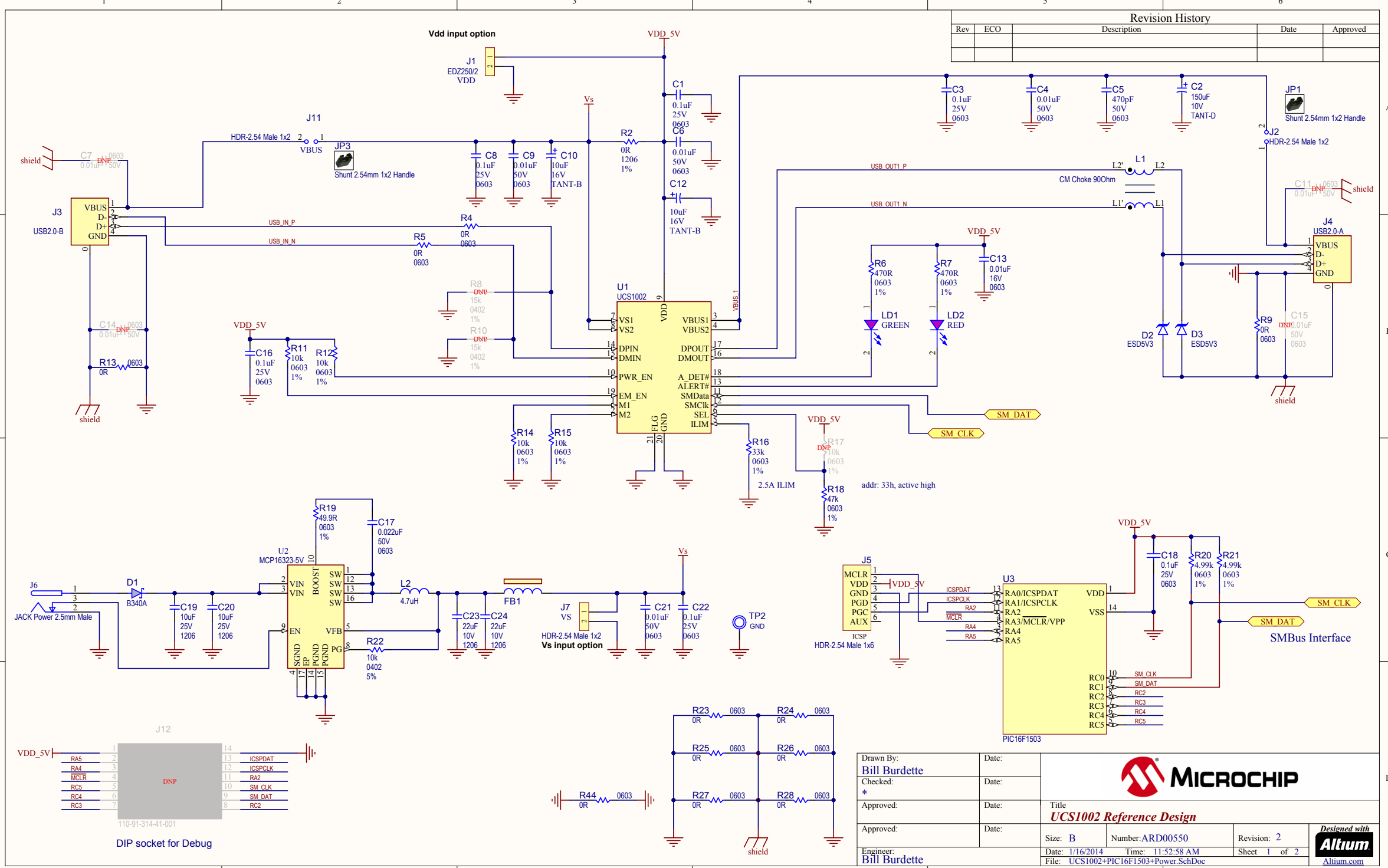
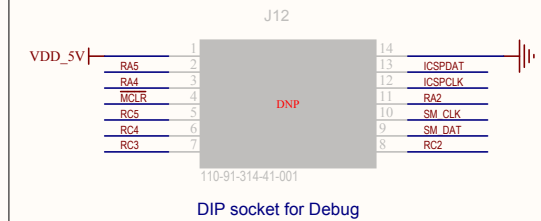


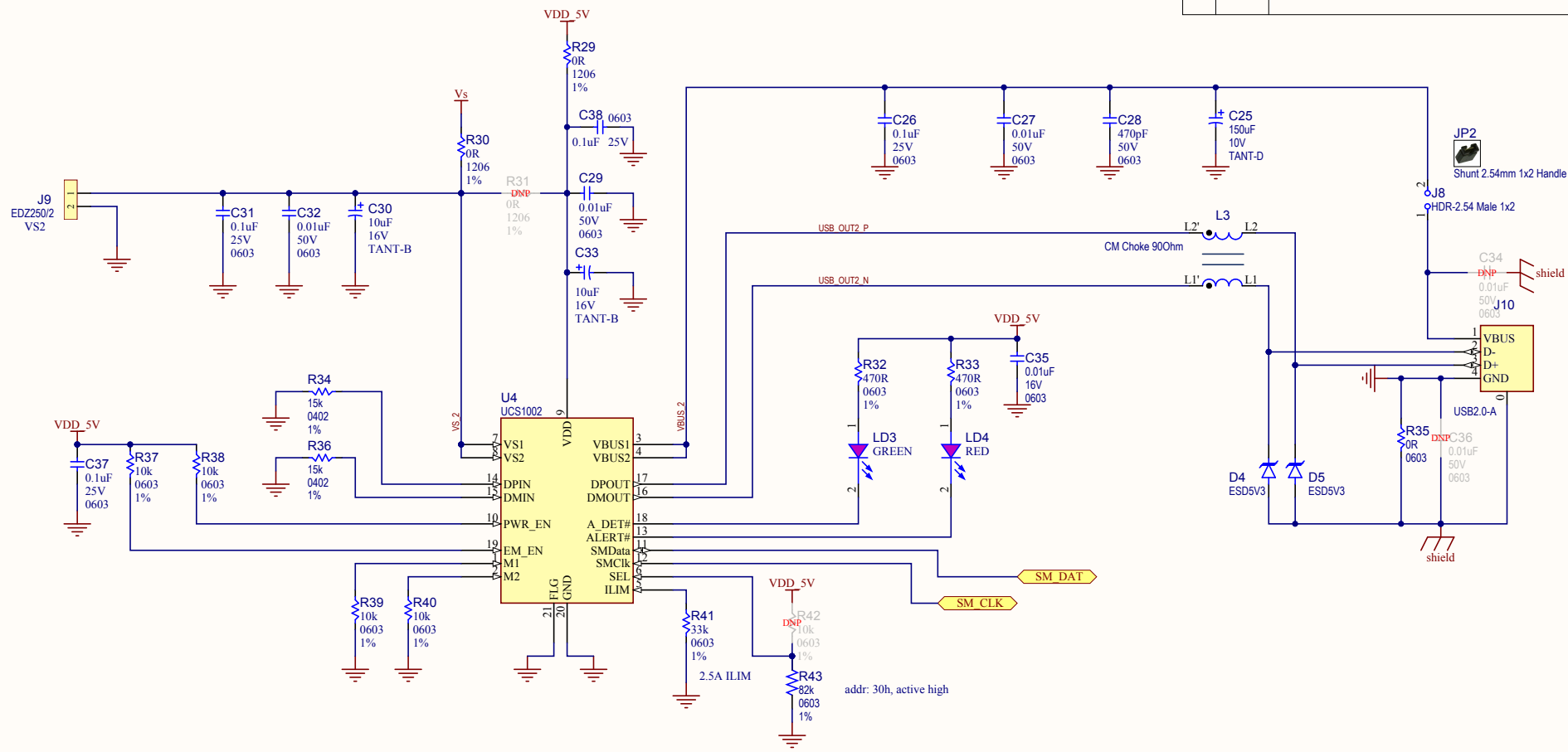
Revision History				
Rev	ECO	Description	Date	Approved



Drawn By: Bill Burdette	Date:	
Checked: *	Date:	
Approved:	Date:	Title UCS1002 Reference Design
Approved:	Date:	Size: B Number: ARD00550 Revision: 2
Engineer: Bill Burdette	Date: 1/16/2014 Time: 11:52:58 AM	Sheet 1 of 2
File: UCS1002+PIC16F1503+Power_SchDoc		Designed with



Revision History				
Rev	ECO	Description	Date	Approved



Drawn By: Bill Burdette	Date:	
Checked: *	Date:	
Approved:	Date:	Title Optional 2nd UCS1002
Approved:	Date:	Size: B Number: ARD00550 Revision: 2
Engineer: Bill Burdette	Date: 1/16/2014 Time: 11:52:58 AM	Sheet 2 of 2
	File: UCS1002_Optional.SchDoc	Designed with Altium Altium.com