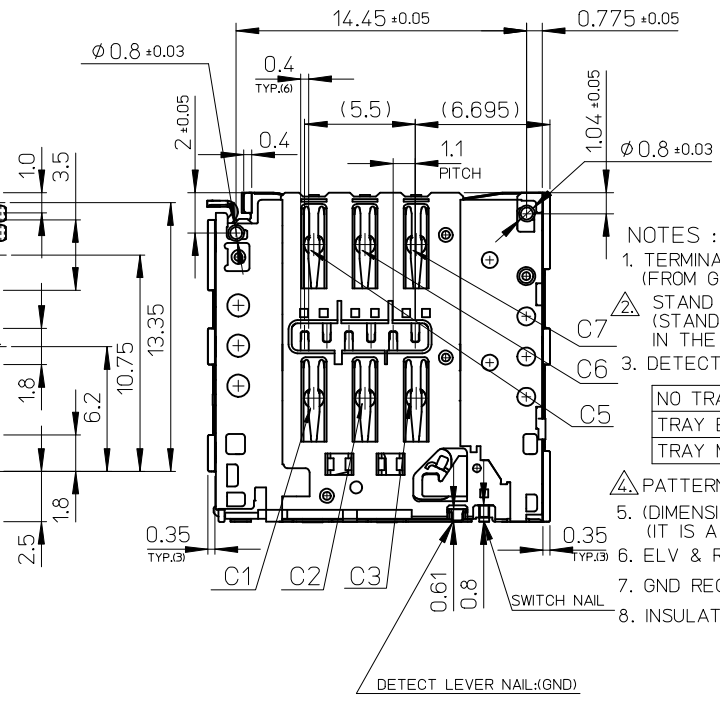
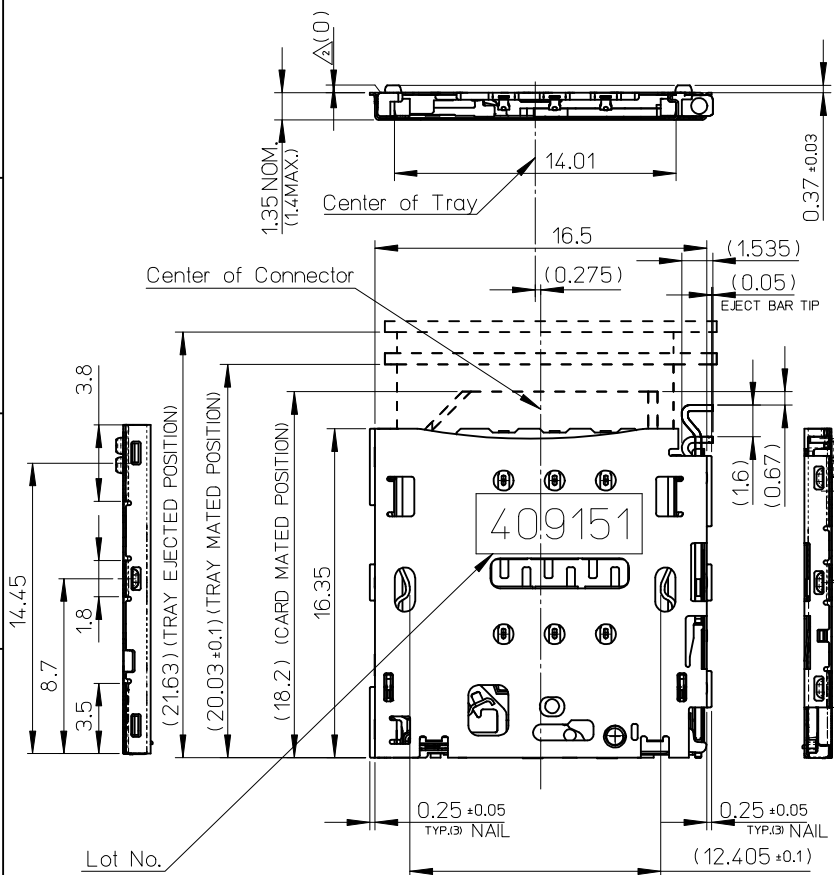


CONFIDENTIAL

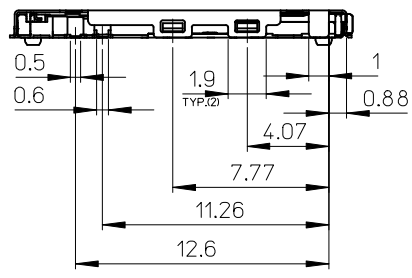
No.	NAME	MATERIAL
①	HOUSING	LIQUID CRYSTAL POLYMER UL94V-0, BLACK
②	TERMINAL	COPPER ALLOY
③	SHELL	STAINLESS STEEL
④	EJECT LEVER	STAINLESS STEEL
⑤	EJECT BAR	STAINLESS STEEL
⑥	DETECT LEVER	COPPER ALLOY
⑦	DETECT SWITCH	COPPER ALLOY
⑧	HOOK	STAINLESS STEEL
⑨	METAL PLATE	STAINLESS STEEL



- NOTES :
1. TERMINAL AND NAIL COPLANARITY TO BE 0.08 MAXIMUM. (FROM GAUGE PLANE)
 2. STAND OFF DIMENSION (STAND OFF DIMENSION IS INCLUDED IN THE CONNECTOR TOTAL HEIGHT)
 3. DETECT SWITCH FUNCTION
- | | |
|-----------------------|-------|
| NO TRAY | OPEN |
| TRAY EJECTED POSITION | OPEN |
| TRAY MATED POSITION | CLOSE |
4. PATTERN KEEP OUT AREA DIMENSION
 5. (DIMENSION) : REFERENCE VALUE (IT IS A NOT A MANAGEMENT DIMENSION)
 6. ELV & RoHS COMPLIANT.
 7. GND RECOMMENDED PATTERN.
 8. INSULATION PLATING IS CONTAINED.

Lot No. 4 09 15 1

THE YEAR OF GRACE 2014 年 MONTH 09 : 9月 DAY 15 : 15日 LINE No. 1-9 A-Z

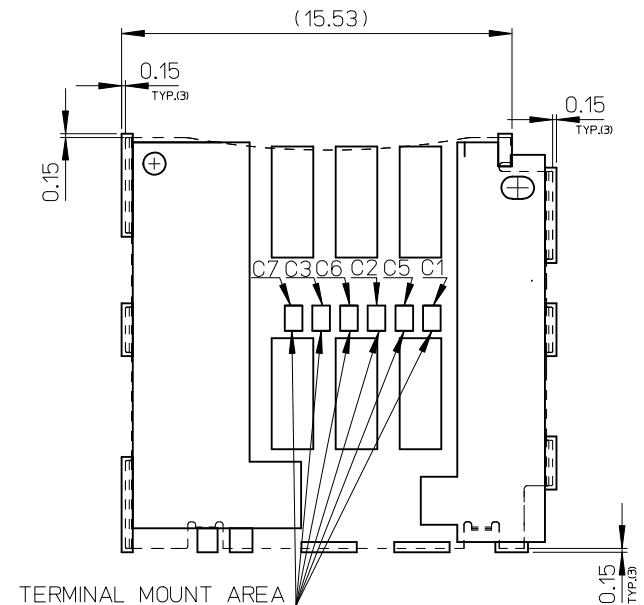
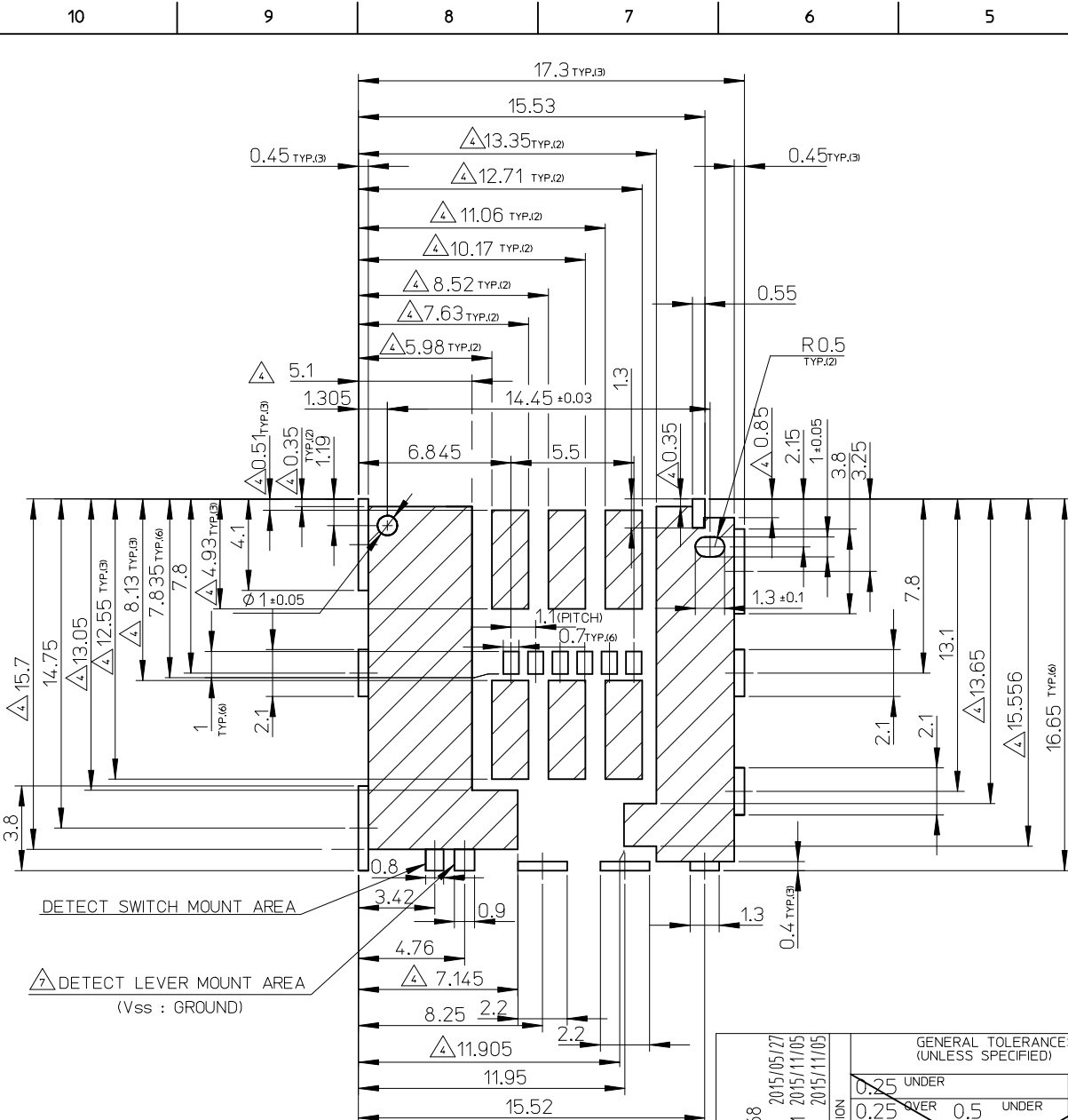


PIN ASSIGNMENT

C1:	Vcc
C2:	RST
C3:	CLK
C5:	GND
C6:	Vpp
C7:	I/O

505020-0692	6
EMBOSSED PACKAGE	CIRCUITS
ORDER NO.	
CONNECTOR SERIES No. 505020-****	

REVISED EC NO: J2016-0468 DRWN:YNAITO 2015/05/27 CHKD:TKUSUHARA01 2015/11/05 APPR:NUKITA 2015/11/05	GENERAL TOLERANCES (UNLESS SPECIFIED)		DIMENSION STYLE MM ONLY		SCALE 4:1	DESIGN UNITS METRIC	THIRD ANGLE PROJECTION	
	0.25 UNDER	± 0.03	DRAWN BY MHAYASHI	DATE 2014/11/26	TITLE MICRO SIM CONN. BAR-PUSH TYPE DUAL HOOK ASSY ANTI-BUCKLING			
0.25 OVER	0.5 UNDER	± 0.05	CHECKED BY TKUSUHARA	DATE 2014/11/26				
1.0 OVER	10 UNDER	± 0.1	APPROVED BY NUKITA	DATE 2014/12/09	DOCUMENT NO. SD-505020-003			
30 OVER	± 0.25	± 0.2	MATERIAL NO.					
ANGULAR ±1 °			SEE CHART		SHEET NO. 1 OF 4			
DRAFT WHERE APPLICABLE MUST REMAIN WITHIN DIMENSIONS			SIZE A3		THIS DRAWING CONTAINS INFORMATION THAT IS PROPRIETARY TO MOLEX INCORPORATED AND SHOULD NOT BE USED WITHOUT WRITTEN PERMISSION			

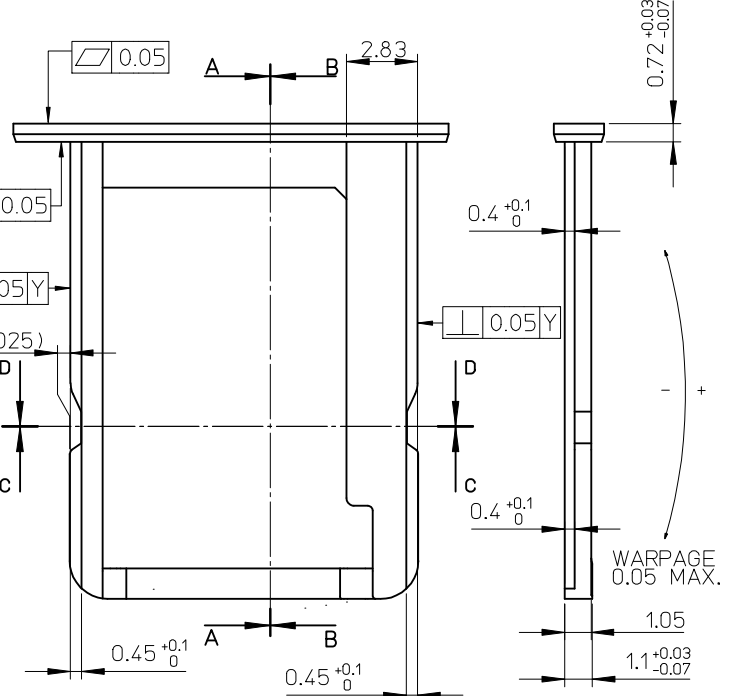
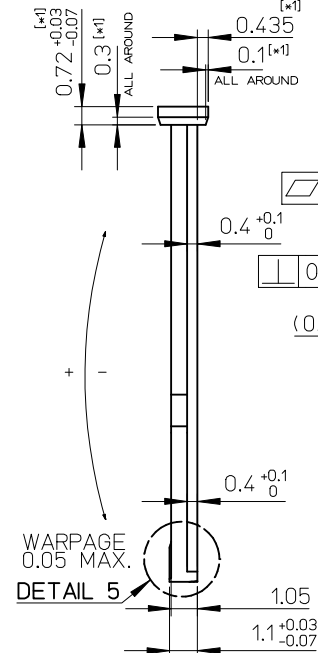
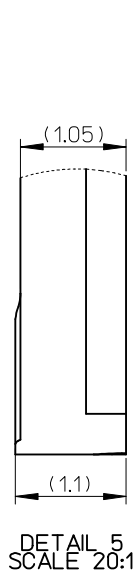
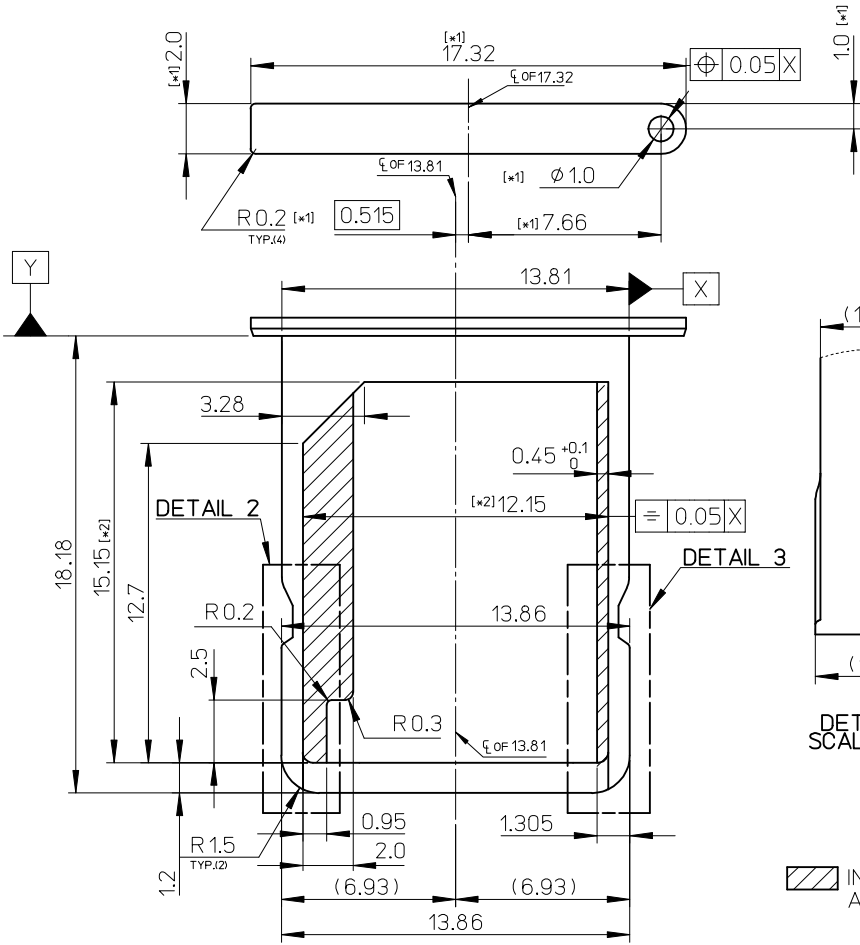


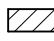
ON BOARD LOCATION REFERENCE

DETECT SWITCH MOUNT AREA
 DETECT LEVER MOUNT AREA (V_{SS} : GROUND)
 RECOMMENDED P.W.BOARD PATTERN LAYOUT
 TOLERANCE : ±0.05

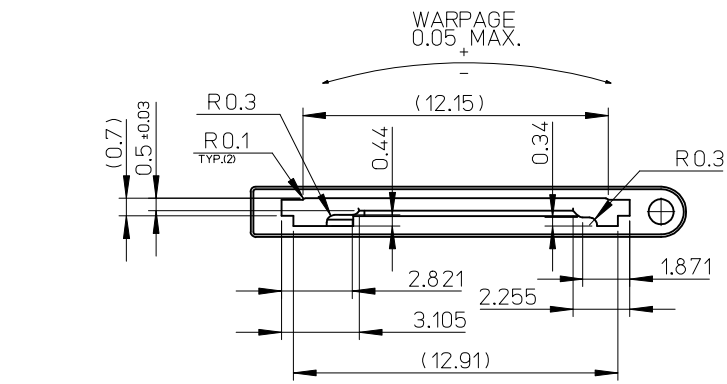
△ PATTERN KEEP OUT AREA TOLERANCE : ±0.05
 △ GND RECOMMENDED PATTERN

SEE SHEET 1 EC NO: J2016-0468 DRW: YNAITO 2015/05/27 CHKD: TKUSUHARA01 2015/11/05 APPR: NUKITA 2015/11/05	GENERAL TOLERANCES (UNLESS SPECIFIED)		DIMENSION STYLE MM ONLY		SCALE 5:1	DESIGN UNITS METRIC	THIRD ANGLE PROJECTION	
	0.25 UNDER ±0.03 0.25 OVER 0.5 UNDER ±0.05 0.5 OVER 1.0 UNDER ±0.1 1.0 OVER 10 UNDER ±0.2 10 OVER 30 UNDER ±0.25 30 OVER ±0.3 ANGULAR ±1 °	DRAWN BY MHAYASHI DATE 2014/11/26	TITLE MICRO SIM CONN. BAR-PUSH TYPE DUAL HOOK ASSY ANTI-BUCKLING					
	DRAFT WHERE APPLICABLE MUST REMAIN WITHIN DIMENSIONS	CHECKED BY TKUSUHARA DATE 2014/11/26	MATERIAL NO. SEE SHEET 1					
	SIZE A3	APPROVED BY NUKITA DATE 2014/12/09	DOCUMENT NO. SD-505020-003				SHEET NO. 2 OF 4	

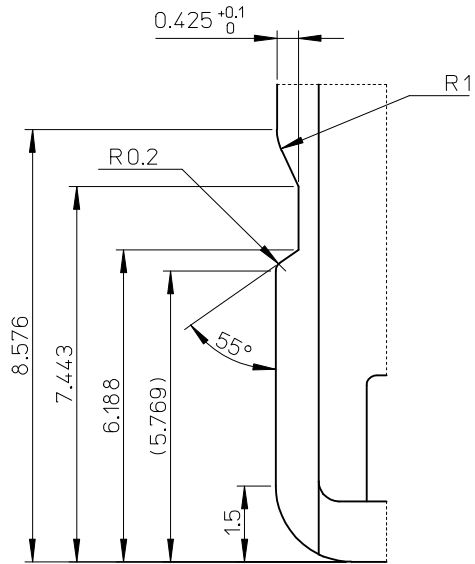


 INSULATION PLATING AREA MAX. 0.02mm
 APPLY TO THE POINT OF CONTACT WITH CARD.
 APPLICABLE MIM TRAY
 (REFERENCE ONLY)
 TOLERANCE : ±0.05
 COPRANALITY 0.05MAX
 SURFACE ROUGHNESS : Ra=1μm MAX.

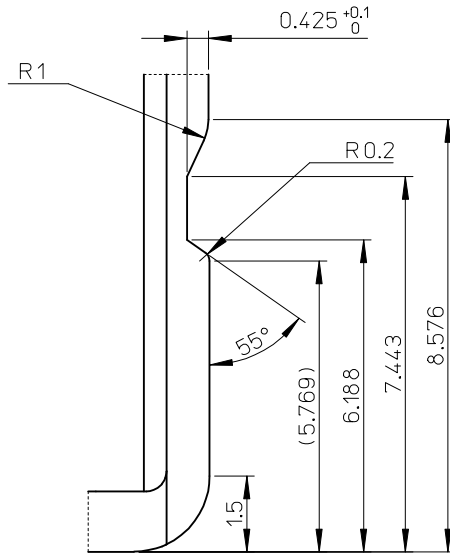
[*1]CUSTOMER CAN DECIDE THIS DIMENSION.
 [*2]INSULATION PLATING IS CONTAINED.



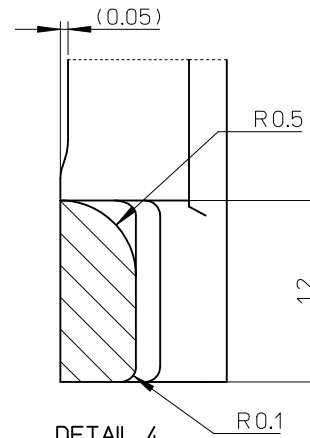
GENERAL TOLERANCES (UNLESS SPECIFIED)			DIMENSION STYLE MM ONLY		SCALE 5:1	DESIGN UNITS METRIC	THIRD ANGLE PROJECTION
0.25 UNDER	±0.03		DRAWN BY	DATE	TITLE		
0.25 OVER	±0.05		MHAYASHI	2014/11/26	MICRO SIM CONN. BAR-PUSH TYPE DUAL HOOK ASSY ANTI-BUCKLING molex		
0.5 OVER	±0.1		CHECKED BY	DATE			
1.0 OVER	±0.2		TKUSUHARA	2014/11/26			
10 OVER	±0.25		APPROVED BY	DATE			
30 OVER	±0.3		NUKITA	2014/12/09			
ANGULAR	±1°		MATERIAL NO.	DOCUMENT NO.	SHEET NO.		
DRAFT WHERE APPLICABLE MUST REMAIN WITHIN DIMENSIONS			SEE SHEET 1		SD-505020-003		3 OF 4
THIS DRAWING CONTAINS INFORMATION THAT IS PROPRIETARY TO MOLEX INCORPORATED AND SHOULD NOT BE USED WITHOUT WRITTEN PERMISSION							



DETAIL 2
SCALE 10:1

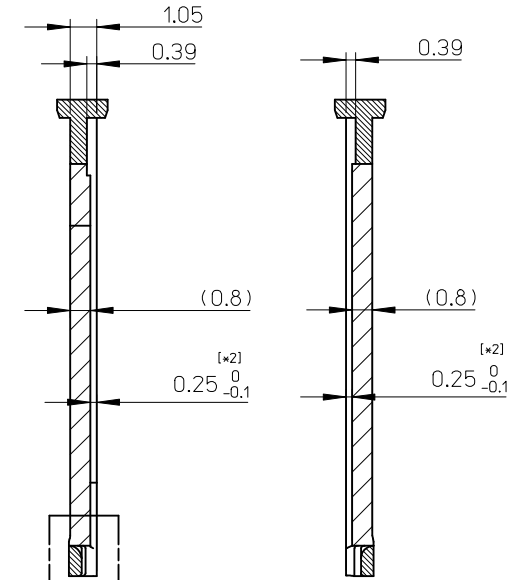


DETAIL 3
SCALE 10:1



DETAIL 4
SCALE 30:1

INSULATION PLATING AREA MAX. 0.02mm
APPLY TO THE POINT OF CONTACT WITH CARD.

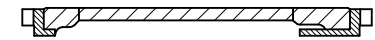


SECTION A-A

SECTION B-B



SECTION C-C



SECTION D-D

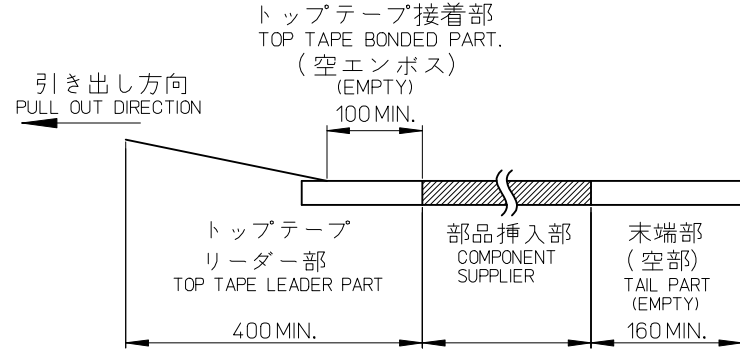
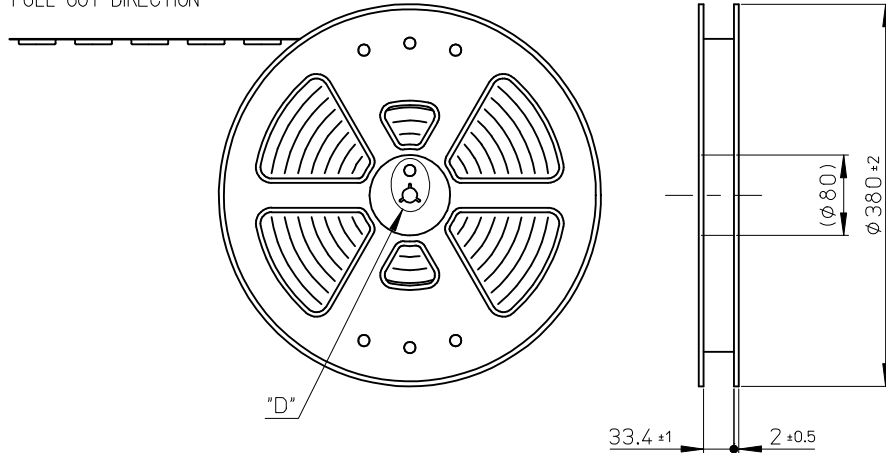
Molex shall not be responsible for any infringement to the extent such infringement is the result of (a) use of the Product(s) in combination with any other products not provided by Molex if the infringement would not have occurred but for such combination, (b) any alteration or modification of the Product(s) not undertaken or authorized by Molex if the infringement would not have occurred but for such alteration or modification, (c) Molex's compliance with Buyer's specifications if the infringement would not have occurred but for such compliance, or (d) Buyer's failure to comply with Molex's instructions regarded as necessary to render the Product(s) non-infringing if the infringement would not have occurred if Buyer would have complied with Molex's instructions.

SEE SHEET 1 EC NO: J2016-0468 DRWN: YMAITO 2015/05/27 CHKD: TKUSUHARA01 2015/11/05 APPR: NUKITA 2015/11/05	GENERAL TOLERANCES (UNLESS SPECIFIED)		DIMENSION STYLE MM ONLY		SCALE 5:1	DESIGN UNITS METRIC	THIRD ANGLE PROJECTION
	0.25 UNDER	±0.03	DRAWN BY MHAYASHI	DATE 2014/11/26	TITLE MICRO SIM CONN. BAR-PUSH TYPE DUAL HOOK ASSY ANTI-BUCKLING		
	0.25 OVER 0.5 UNDER	±0.05	CHECKED BY TKUSUHARA	DATE 2014/11/26			
	0.5 OVER 1.0 UNDER	±0.1	APPROVED BY NUKITA	DATE 2014/12/09			
	1.0 OVER 10 UNDER	±0.2	MATERIAL NO.		DOCUMENT NO. SD-505020-003	SHEET NO. 4 OF 4	
10 OVER 30 UNDER	±0.25	SIZE A3		THIS DRAWING CONTAINS INFORMATION THAT IS PROPRIETARY TO MOLEX INCORPORATED AND SHOULD NOT BE USED WITHOUT WRITTEN PERMISSION			
30 OVER	±0.3	DRAFT WHERE APPLICABLE MUST REMAIN WITHIN DIMENSIONS					
ANGULAR	±1 °						

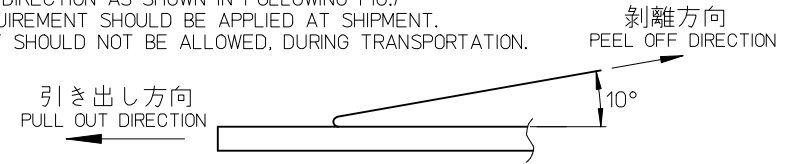
NOTES

- 製品詳細寸法については、SD 図面を参照下さい。
RE DETAILED DIMENSION, SEE SALES DRAWING.
- 梱包数量：1200 個／リール
NUMBER OF CONNECTORS：1400 PCS/REEL.
- リードテープ長さ LEAD TAPE LENGTH.

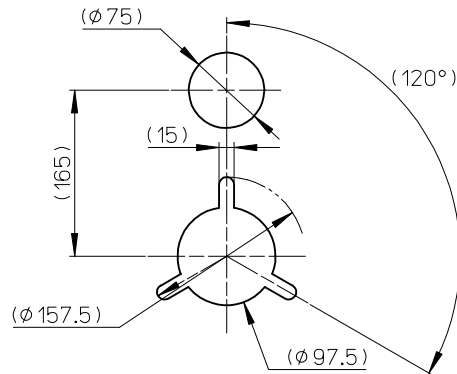
引き出し方向
PULL OUT DIRECTION



- トップテープの剥離強度：JIS C0806-3に準拠(剥離方向は下図参照) 尚、本規格値は出荷時に適用。(但し、輸送時に剥離が発生しないこと。)
PEELING OFF FORCE OF TOP TAPE：BASED UPON JIS C0806-3 (PEELING DIRECTION AS SHOWN IN FOLLOWING FIG.) THIS REQUIREMENT SHOULD BE APPLIED AT SHIPMENT. PEEL OFF SHOULD NOT BE ALLOWED, DURING TRANSPORTATION.



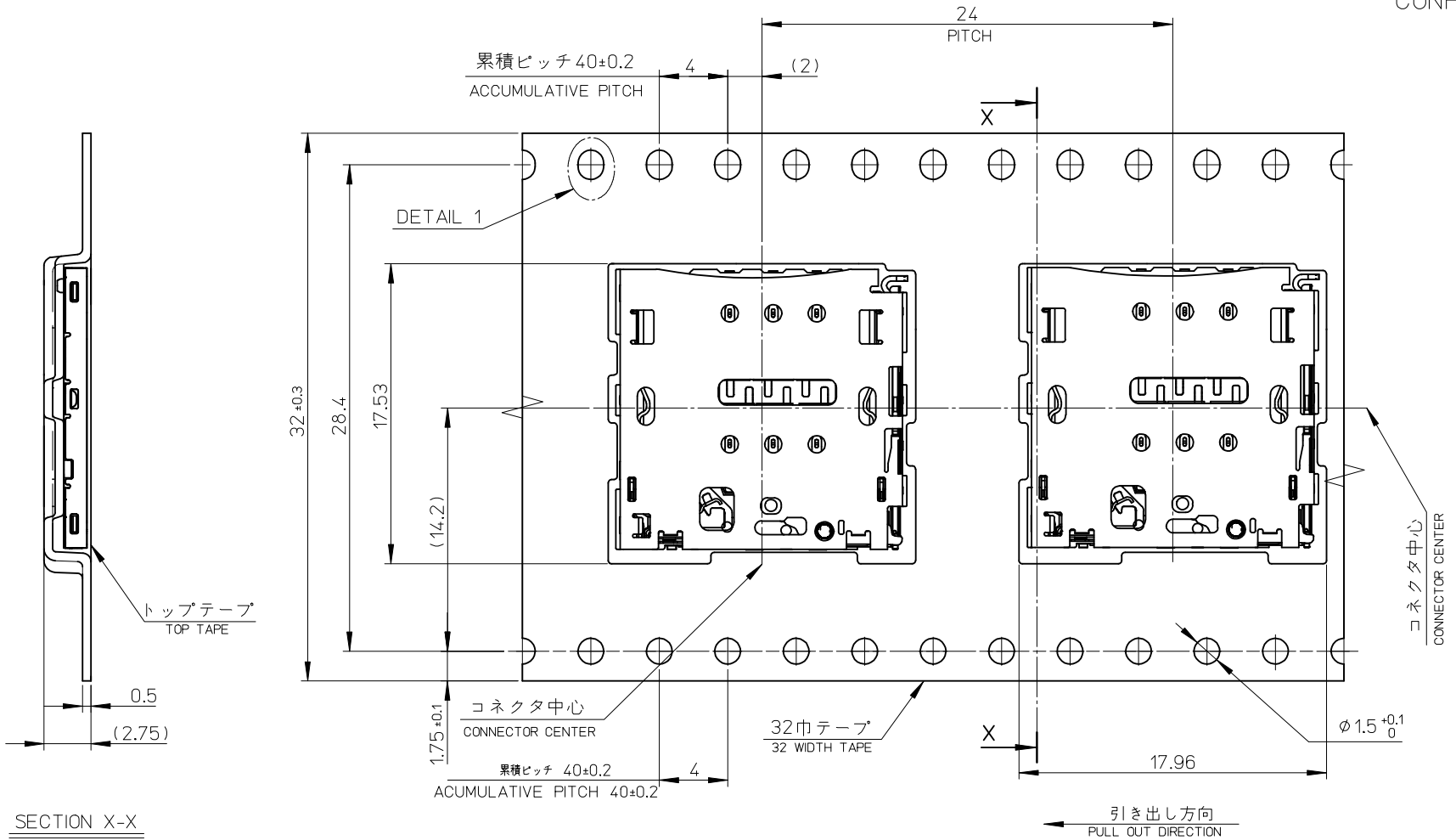
- 材料 MATERIAL
キャリアテープ (CARRIER TAPE)：ポリスチレン (POLYSTYRENE)
トップテープ (TOP TAPE)：PET, PE, PEF
リール (REEL)：ポリスチレン (PS) <リサイクル材含む>
POLYSTYRENE (PS) <RECYCLE MATERIAL CONTAINED>



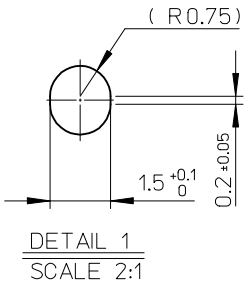
DETAIL "D"

505020-0692	6
EMBOSSED PACKAGE	極数
オーダー番号 ORDER NO.	CIRCUITS
CONNECTOR SERIES No. 505020-****	

RELEASED EC NO.: J2015-0852 DRWN:YNAITO 2014/12/26 CHKD:TKSUHARA01 2014/12/26 APPR:NUKITA 2014/12/26	GENERAL TOLERANCES (UNLESS SPECIFIED)		DIMENSION STYLE		SCALE	DESIGN UNITS	THIRD ANGLE PROJECTION
	0.25 UNDER ±0.03		MM ONLY		1:1	METRIC	◎ □
	0.25 OVER	0.5 UNDER ±0.05	DRAWN BY YNAITO		TITLE		
	0.5 OVER	1.0 UNDER ±0.1	DATE 2014/12/26		MICRO SIM CONN. BAR-PUSH TYPE DUAL HOOK EMBOSSED TAPE PACKAGE		
1.0 OVER	10 UNDER ±0.2	CHECKED BY TKSUHARA01		DATE 2014/12/26			molex DOCUMENT NO. SD-505020-004 SHEET NO. 1 OF 2
10 OVER	30 UNDER ±0.25	APPROVED BY NUKITA		DATE 2014/12/26			
30 OVER	ANGULAR ±1 °	MATERIAL NO.		SEE CHART			
DRAFT WHERE APPLICABLE MUST REMAIN WITHIN DIMENSIONS		SIZE A3		THIS DRAWING CONTAINS INFORMATION THAT IS PROPRIETARY TO MOLEX INCORPORATED AND SHOULD NOT BE USED WITHOUT WRITTEN PERMISSION			



SECTION X-X



SEE SHEET 1 EC NO: J2015-0852 DRWN: YNAITO 2014/12/26 CHKD: TKUSUHARA01 2014/12/26 APPR: NUKITA 2014/12/26	GENERAL TOLERANCES (UNLESS SPECIFIED)		DIMENSION STYLE MM ONLY		SCALE 4:1	DESIGN UNITS METRIC	THIRD ANGLE PROJECTION
	0.25 UNDER	± 0.03	DRAWN BY YNAITO	DATE 2014/12/26	TITLE MICRO SIM CONN. BAR-PUSH TYPE DUAL HOOK EMBOSSSED TAPE PACKAGE		
	0.25 OVER 0.5 UNDER	± 0.05	CHECKED BY TKUSUHARA01	DATE 2014/12/26			
	0.5 OVER 1.0 UNDER	± 0.1	APPROVED BY NUKITA	DATE 2014/12/26			
	1.0 OVER 10 UNDER	± 0.2	MATERIAL NO.	DOCUMENT NO.	SHEET NO.		
10 OVER 30 UNDER	± 0.25	SEE SHEET 1		SD-505020-004		2 OF 2	
30 OVER	± 0.3	THIS DRAWING CONTAINS INFORMATION THAT IS PROPRIETARY TO MOLEX INCORPORATED AND SHOULD NOT BE USED WITHOUT WRITTEN PERMISSION					
ANGULAR	± 1 °	DRAFT WHERE APPLICABLE MUST REMAIN WITHIN DIMENSIONS					