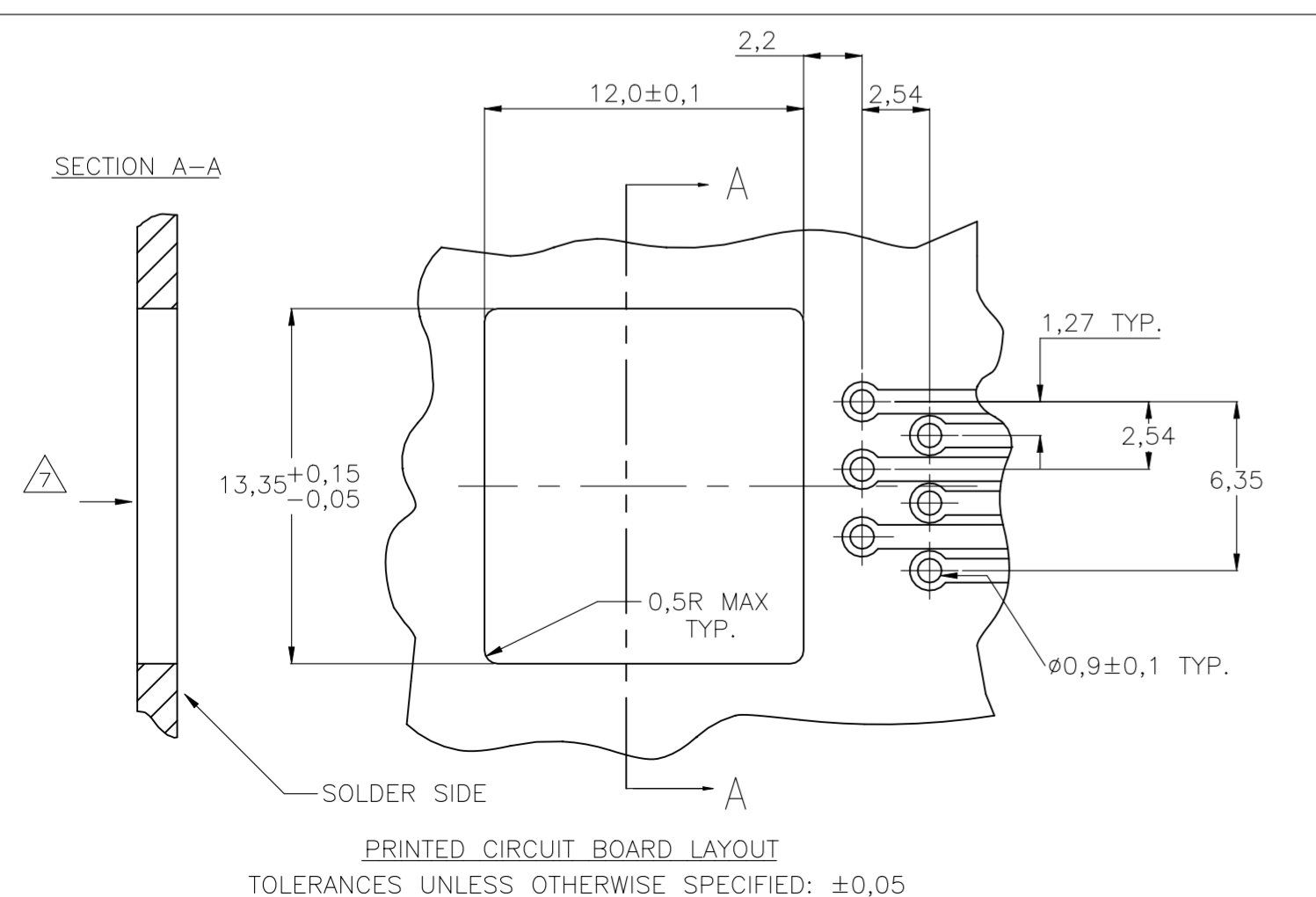
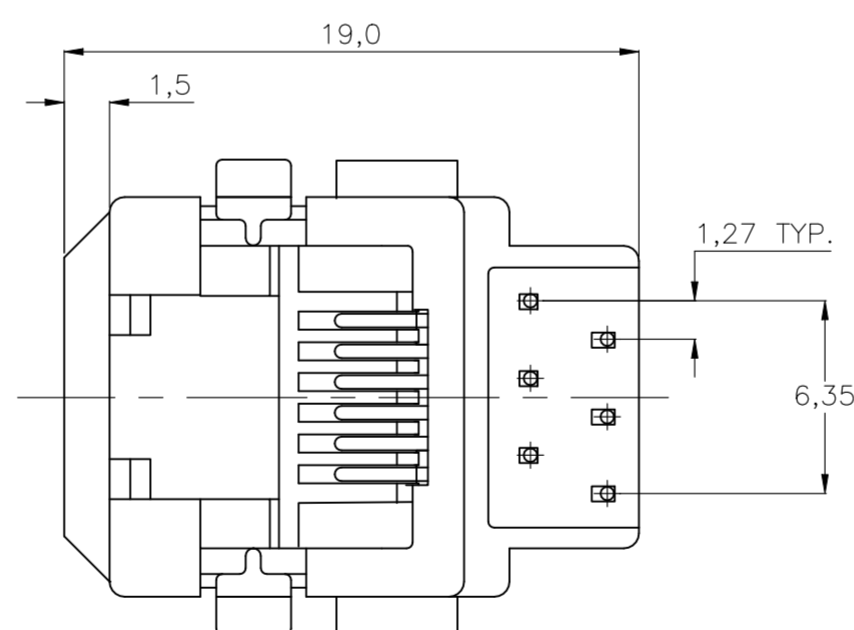
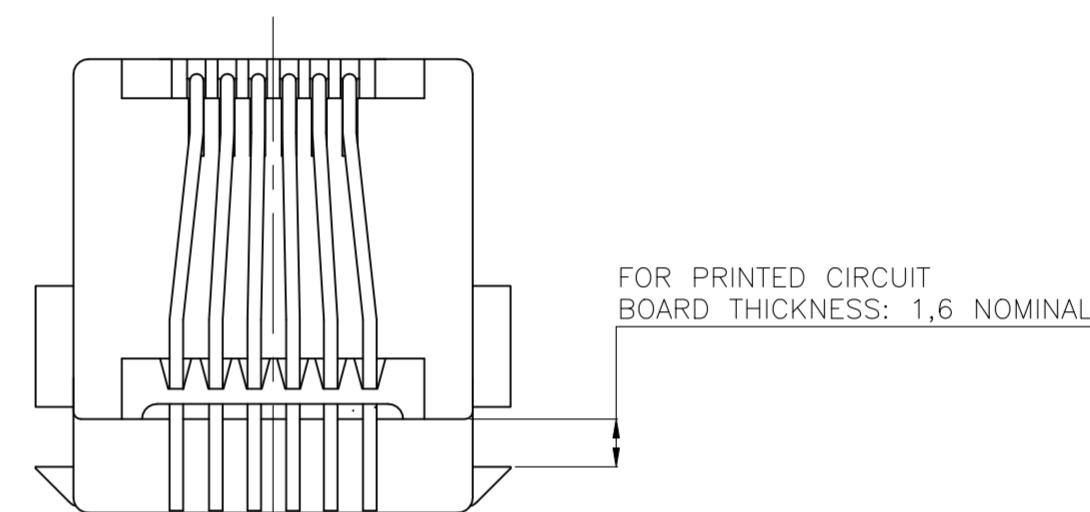
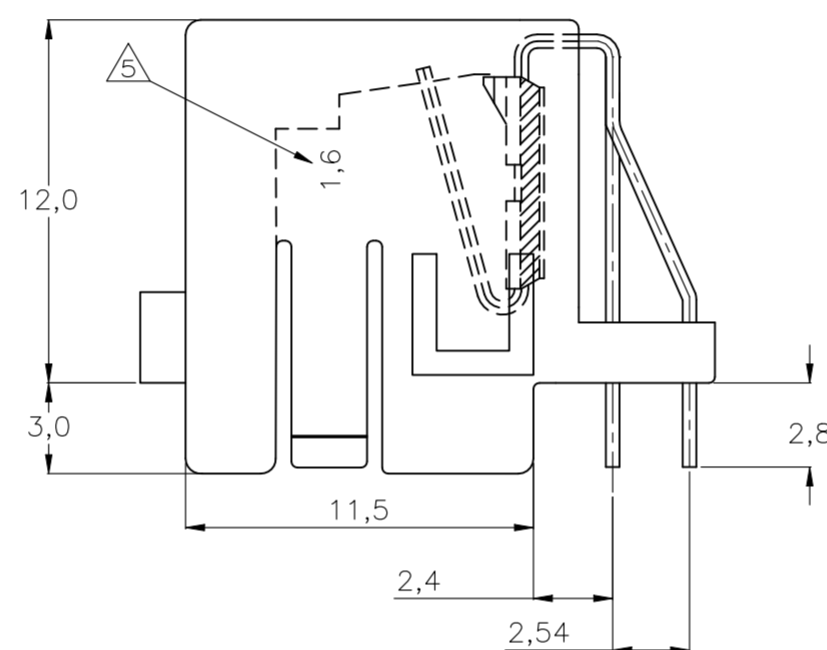
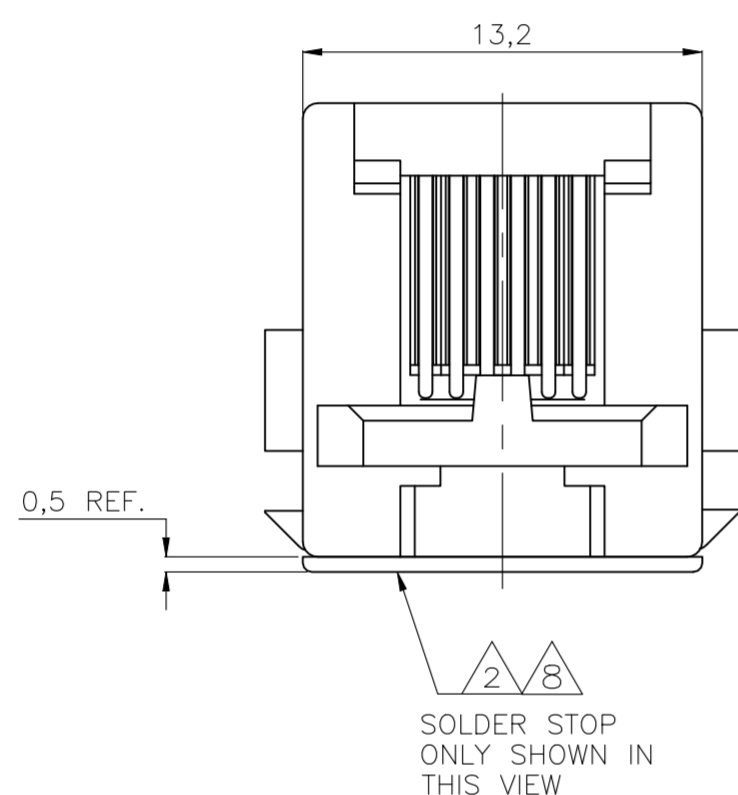
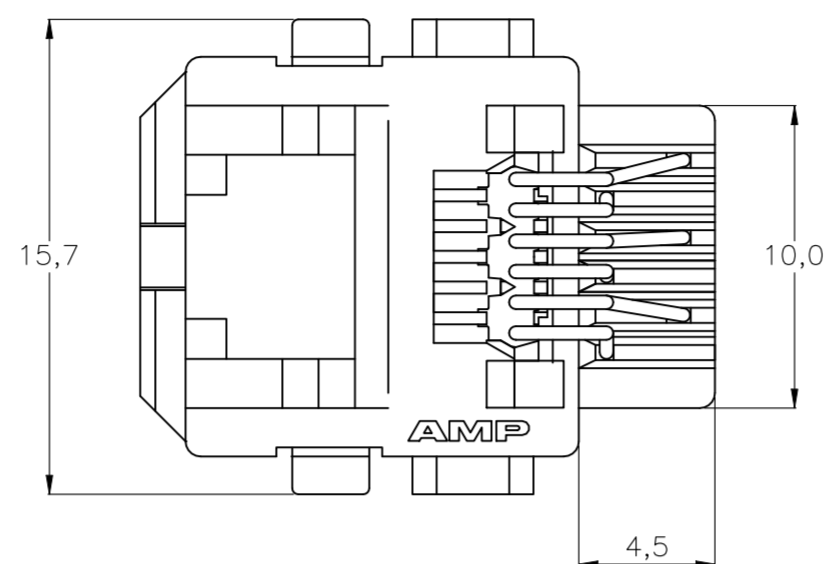


REVISIONS					
P	LTR	DESCRIPTION	DATE	DWN	APVD
	R1	ECR-08-012368	06-11-08	AEG	WRV
	R2	ECR-10-022530	07JAN11	KK	HMR
	R3	REVISED PER ECN-22-180673	20OCT22	AK	SZ

NOTES:

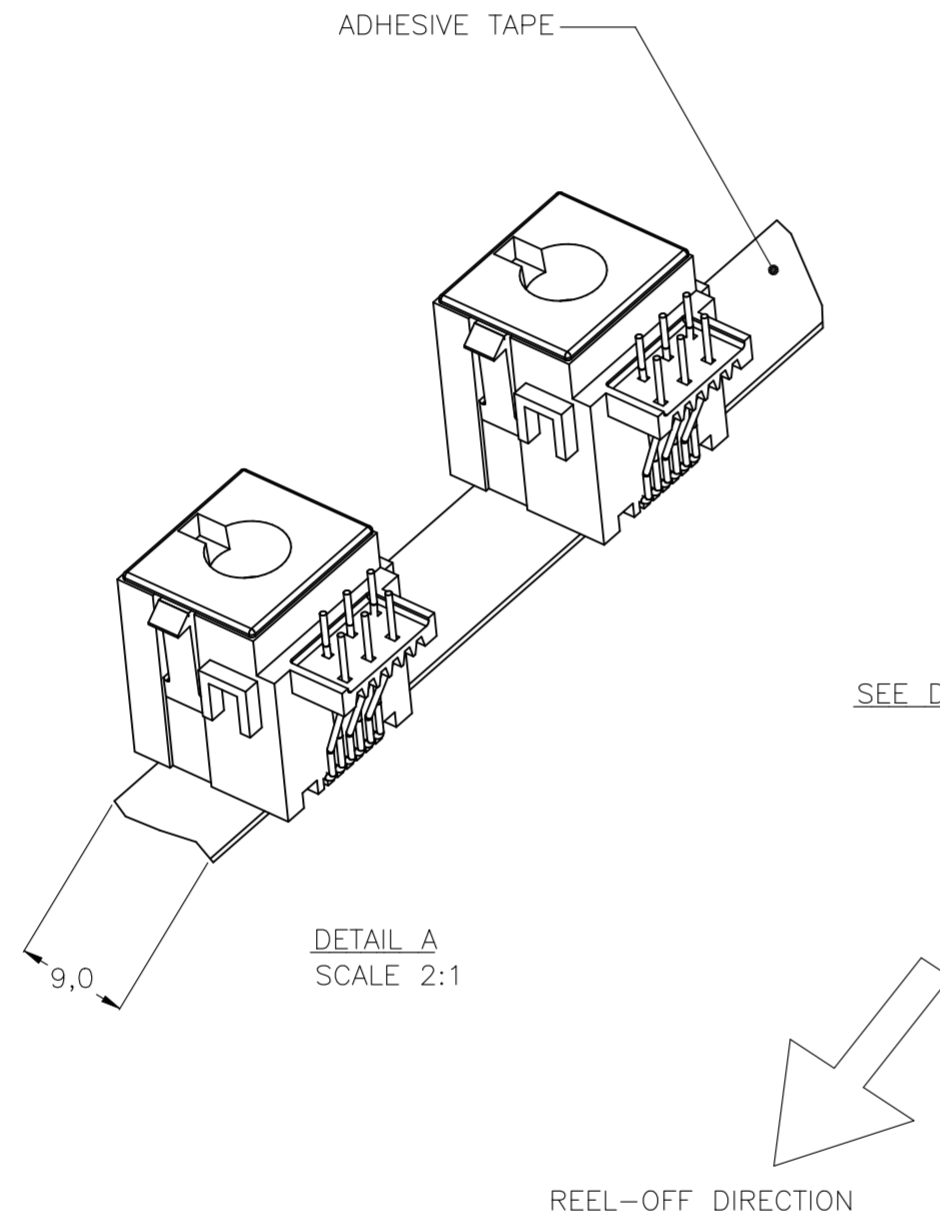
1. TOLERANCES UNLESS OTHERWISE SPECIFIED:  $\pm 0,15$ .
2. MODULAR JACK P.N. 216446-1, 216446-2, 3-216446-1 AND 3-216446-2 ARE DELIVERED WITH PLASTIC SOLDER STOP INSTALLED, TO PREVENT SOLDER ENTERING THE JACK. REMOVE SOLDER STOP AFTER SOLDERING.
3. FOR PERFORMANCE REQUIREMENTS SEE TE PRODUCT SPECIFICATION 108-19064.
4. FOR APPLICATION REQUIREMENTS SEE TE APPLICATION SPECIFICATION 114-19019.
5. MOLDED-IN CHARACTER "1,6" MEANS FOR 1,6mm PRINT THICKNESS.
6. FOR PACKAGING SEE SHEET 2.
7. PREFERRED DIRECTION FOR STAMPING OF HOLE TO OBTAIN A BROKEN EDGE AT JACK ENTRY SIDE.
8. TRUE POSITIONING OF THE SOLDER TINES MAY BE AFFECTED BY BULK PACKAGING. THE SOLDER STOP COULD BE LOOSENED DURING TRANSPORT.



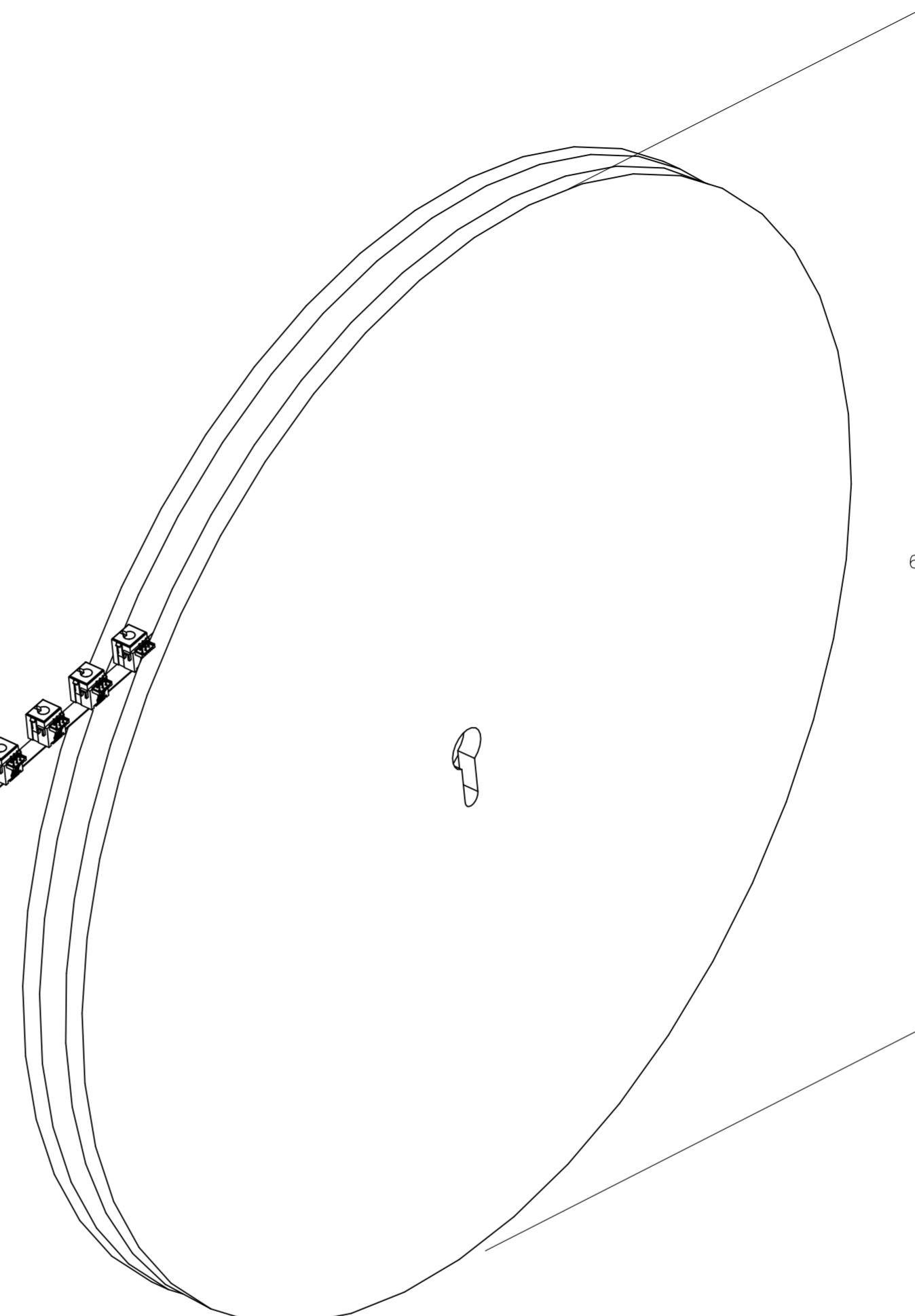
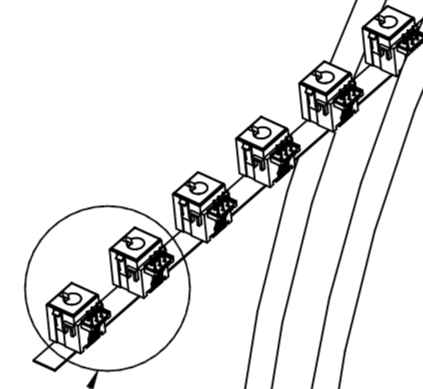
DESCRIPTION	FINISH	MATERIAL	PARTNUMBER
OBSOLETE BULK PACKAGED 500 pcs/BOX 6 POS./4 CONTACTS WITH SOLDER STOP	CONTACTS: 1,25µm MIN. GOLD OVER	HOUSING: 20% G.F. NYLON	3-216446-2
BULK PACKAGED 1000 pcs/BOX 6 POS./6 CONTACTS WITH SOLDER STOP	1,25µm MIN. NICKEL IN CONTACT AREA	COLOR: BLACK UL 94-HB	3-216446-1
OBSOLETE 700 pcs ON A .60 cm DIA REEL 6 POS./4 CONTACTS WITH SOLDER STOP	2µm MIN. TIN LEAD OVER 1,25µm MIN. NICKEL ON SOLDER TINES.	CONTACTS: PHOS. BRONZE	-216446-2-
700 pcs ON A Ø60 cm DIA. REEL 6 POS./6 CONTACTS WITH SOLDER STOP			216446-1

THIS DRAWING IS A CONTROLLED DOCUMENT.		DWN M.V.ESSSEN 29NOV95	<b>TE</b> TE Connectivity	
DIMENSIONS: mm		CHK W.BRUMMANS		
TOLERANCES UNLESS OTHERWISE SPECIFIED:		APVD C.V.TILBURG	NAME	
0 PLC ± -	1 PLC ± -	PRODUCT SPEC	MODULAR JACK, 6 POS BOTTOM ENTRY VERSION FOR PRINTED CIRCUIT BOARD MOUNTING	
2 PLC ± -	3 PLC ± -	APPLICATION SPEC	SIZE A2	CAGE CODE 00779
4 PLC ± -	ANGLES ± -	WEIGHT -	DRAWING NO C-216446	RESTRICTED TO -
MATERIAL -	FINISH -	CUSTOMER DRAWING	SCALE NTS	SHEET 1 of 2
			REV R3	

REVISIONS					
P	LTR	DESCRIPTION	DATE	DWN	APVD
-	-	SEE SHEET 1	-	-	-



SEE DETAIL A



600

THIS DRAWING IS A CONTROLLED DOCUMENT.		DWN	19DEC96		
		CHK	F.V.EIJK		
		APVD	W.BRUMMANS		
		PRODUCT SPEC	R.SMEETS		
DIMENSIONS:		TOLERANCES UNLESS OTHERWISE SPECIFIED:		NAME	
mm		0 PLC ± -		MODULAR JACK, 6 POS.,	
		1 PLC ± -		BOTTOM ENTRY VERSION	
		2 PLC ± -		PACKAGING	
		3 PLC ± -		SIZE	
		4 PLC ± -		CAGE CODE	
		ANGLES ± -		DRAWING NO	
MATERIAL		FINISH		RESTRICTED TO	
-		-		-	
		WEIGHT		A2 00779 C=216446	
		CUSTOMER DRAWING		SCALE NTS SHEET 2 OF 2 REV R3	