

PLEASE CHECK WWW.MOLEX.COM FOR LATEST PART INFORMATION

Part Number: **0025021008**
Status: **Active**
Overview: C-Grid Connector Products
Description: 2.54mm Pitch C-Grid Header, Dual Row, Shrouded, with PC Slot and Guide Ear, 8 Circuits, 0.76µm Gold (Au) Selective Plating

Documents:

3D Model	Product Specification TS-70541-001-001 (PDF)
Drawing (PDF)	Packaging Specification PK-70873-0070-001 (PDF)
Product Specification PS-70204-001 (PDF)	RoHS Certificate of Compliance (PDF)

Agency Certification

CSA	LR19980
UL	E29179

General

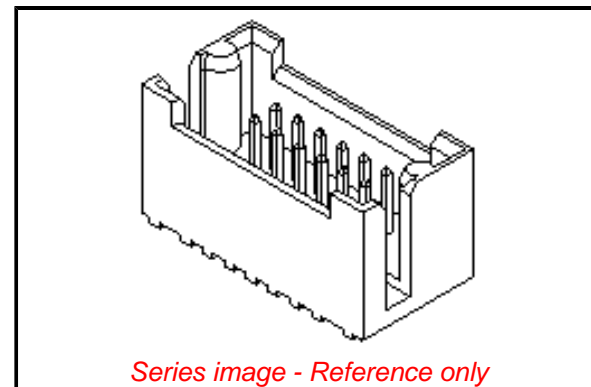
Product Family	PCB Headers
Series	70204
Application	Board-to-Board, Signal
Overview	C-Grid Connector Products
Product Name	C-Grid
UPC	800754202565

Physical

Breakaway	No
Circuits (Loaded)	8
Circuits (maximum)	8
Color - Resin	Black
Durability (mating cycles max)	50
Flammability	94V-0
Glow-Wire Capable	No
Guide to Mating Part	Yes
Lock to Mating Part	None
Material - Metal	Brass, Phosphor Bronze
Material - Plating Mating	Gold
Material - Plating Termination	Tin
Material - Resin	Nylon
Net Weight	2.172/g
Number of Rows	2
Orientation	Vertical
PC Tail Length	2.79mm
PCB Locator	No
PCB Retention	None
Packaging Type	Tray
Pitch - Mating Interface	2.54mm
Plating min - Mating	0.762µm
Plating min - Termination	1.905µm
Polarized to Mating Part	Yes
Polarized to PCB	No
Shrouded	Fully
Stackable	No
Temperature Range - Operating	-40° to +105°C
Termination Interface: Style	Through Hole

Electrical

Current - Maximum per Contact	3.0A
Voltage - Maximum	250V



Series image - Reference only

EU ELV

Not Relevant

EU RoHS

Compliant
REACH SVHC

Not Contained Per -
ED/61/2018 (27 June
2018)

Halogen-Free
Status

Not Low-Halogen

For more information, please visit [Contact US](#)

China ROHS	Green Image
ELV	Not Relevant
RoHS Phthalates	Not Contained

Search Parts in this Series

[70204 Series](#)

Mates With

[71973](#)

Solder Process Data

Duration at Max. Process Temperature (seconds)	005
Lead-free Process Capability	WAVE
Max. Cycles at Max. Process Temperature	001
Process Temperature max. C	245

Material Info

Engineering Number	702040323
--------------------	-----------

Reference - Drawing Numbers

Packaging Specification	PK-70873-0070-001
Product Specification	PS-70204-001, TS-70541-001-001
Sales Drawing	SDA-70204-0321-0384

This document was generated on 04/01/2019

PLEASE CHECK WWW.MOLEX.COM FOR LATEST PART INFORMATION