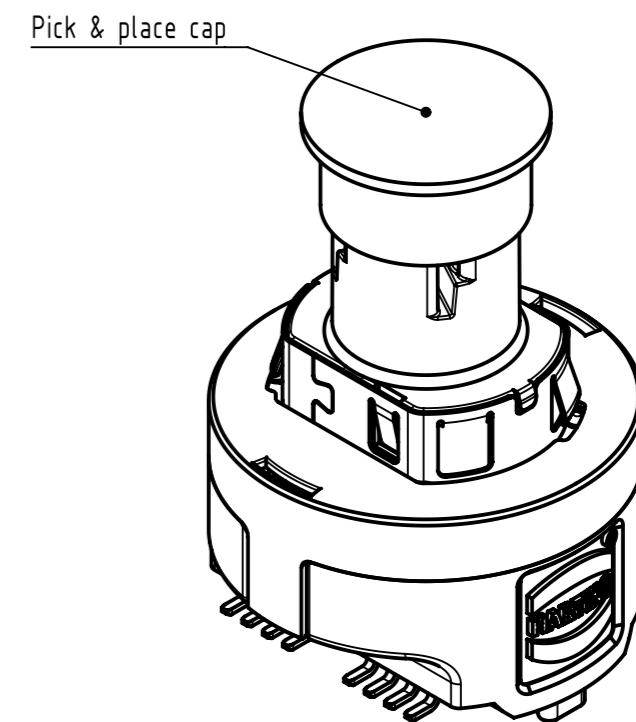
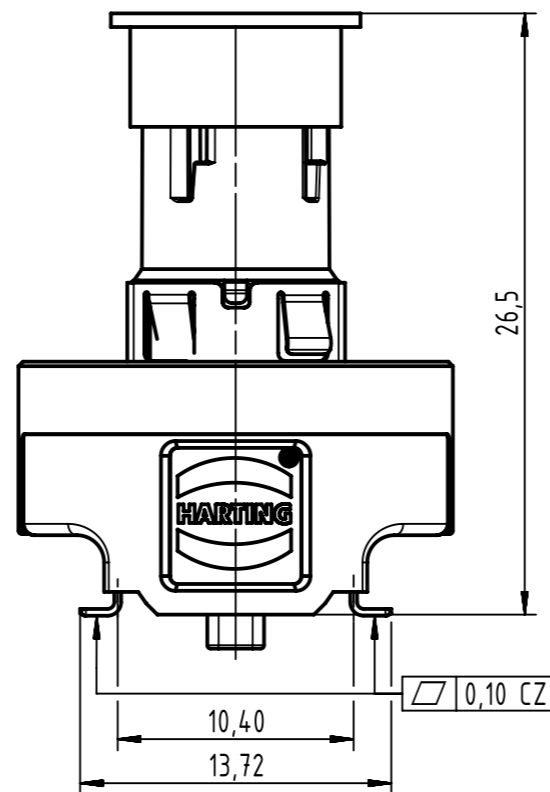
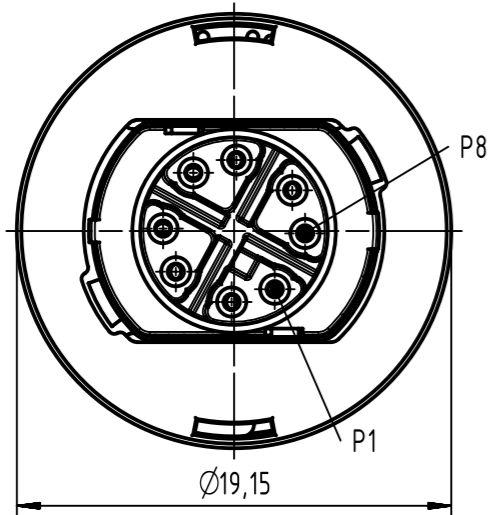


mating face based on  
IEC 61076-2-109



Further information see data sheet: 21033810102

	All rights reserved Department EL PD HARTING Electronics GmbH D-32339 Espelkamp	All Dimensions in mm Original Size DIN A3		Scale 2:1	Free size tol.	Ref. Sub.
		Created by CHENSK	Inspected by CHENSK	Standardisation HOFFMANN	Date 2019-05-30	State Final Release
		Title M12 transformer recept X-coded 1G straight w/o PoE				Doc-Key / ECM-Nr. 100693027/UGD/003/C 500000152702
		Type TB	Number 21033812815		Rev. C	Page 1/1