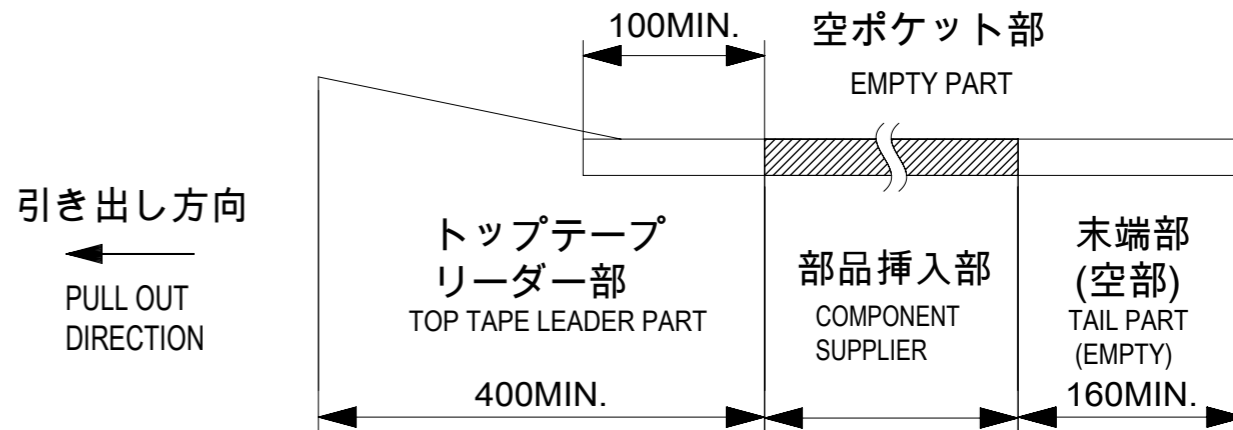


NOTES

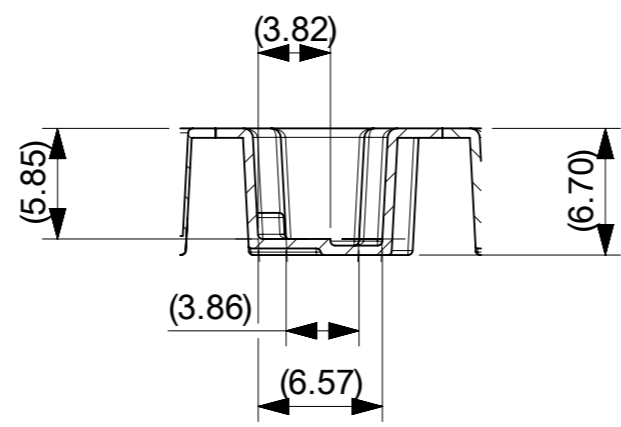
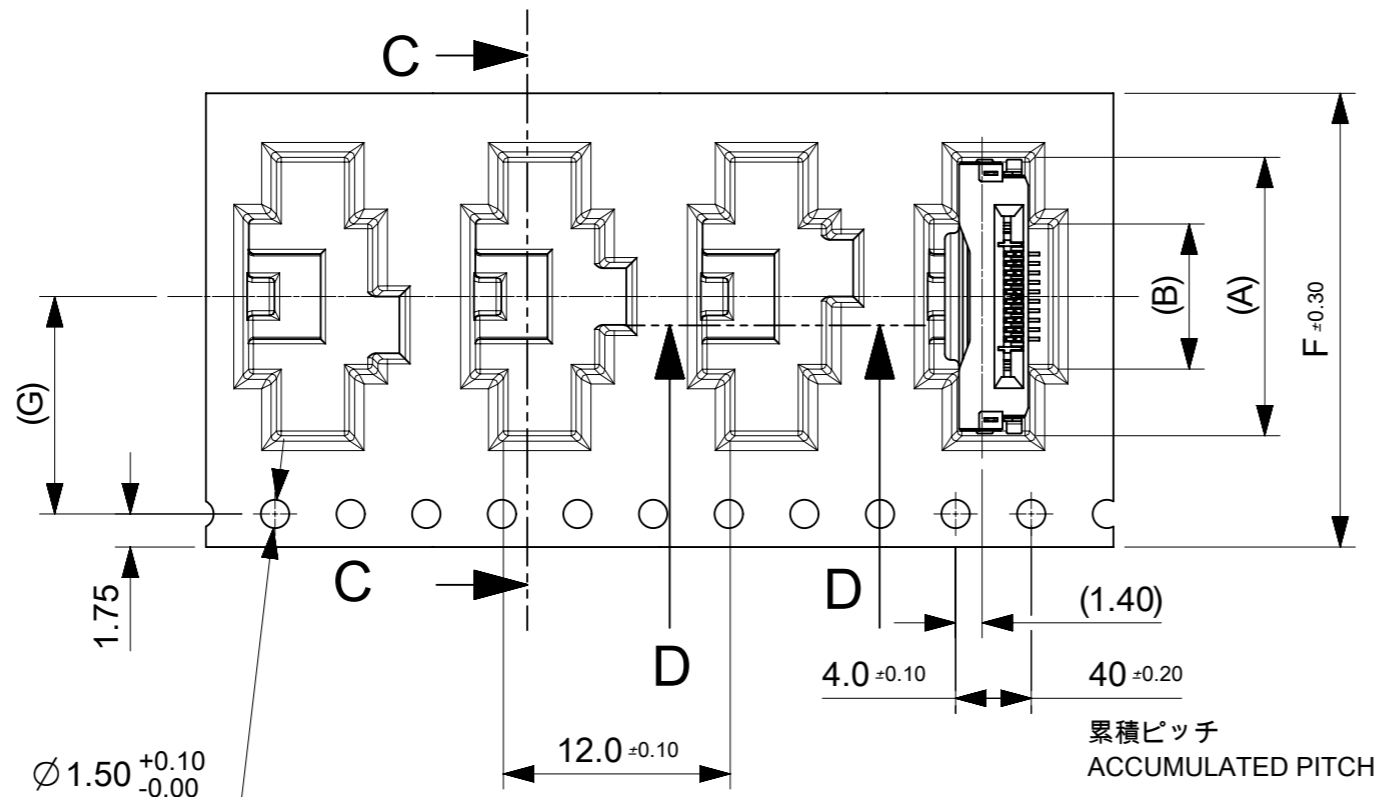
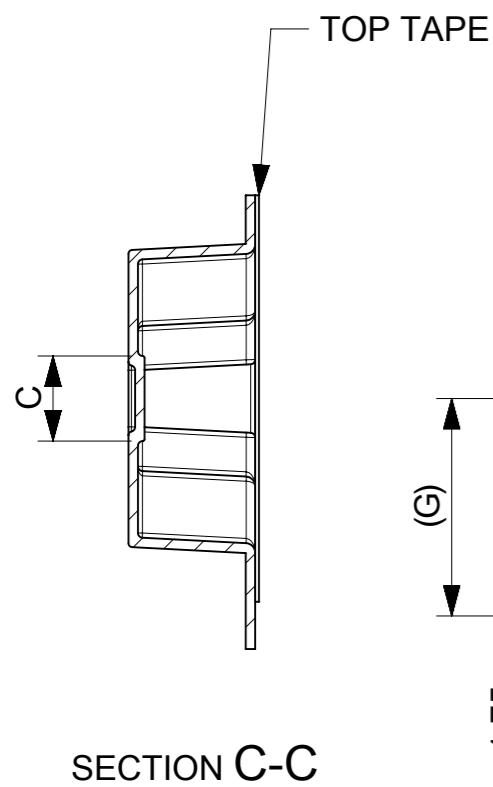
- 梱包数量 : 1200個 / リール  
NUMBER OF CONNECTORS : 1200 PCS/REEL.
- リードテープ長さ  
LEAD TAPE LENGTH



- カバーテープの剥離強度については、IEC60286-3に準拠。  
TOP TAPE PEEL FORCE IS DEFINED BY IEC 60286-3.
- 製品詳細寸法については、図面 2004851500を参照下さい。  
FOR DIMENSIONS OF PRODUCT, REFER TO 2004851500
- 材料 MATERIAL  
キャリアテープ : ポリスチレン  
CARRIER TAPE : POLYSTYRENE  
トップテープ : ポリエチレンテレフタレート、ポリエチレン  
TOP TAPE : POLYETHYLENE TEREPHTHALATE, POLYETHYLENE  
リール : ポリスチレン<リサイクル材を含む>  
REEL : POLYSTYRENE RECYCLED MATERIAL CONTAINED
- ELV及びRoHS適合品 ELV AND RoHS COMPLIANT.

THIS DRAWING CONTAINS INFORMATION THAT IS PROPRIETARY TO MOLEX ELECTRONIC TECHNOLOGIES, LLC AND SHOULD NOT BE USED WITHOUT WRITTEN PERMISSION		CURRENT REV DESC:		<b>molex</b>		
DIMENSION UNITS	SCALE					
mm	NTS			EMB PKG ONE-TOUCH ST		
GENERAL TOLERANCES (UNLESS SPECIFIED)				PRODUCT CUSTOMER DRAWING		
ANGULAR TOL	± 1.0 °			DOCUMENT NUMBER		
4 PLACES	± 0.1	EC NO: 648126		2004850500		
3 PLACES	± 0.1	DRWN: TYAMANE		PSD		
2 PLACES	± 0.1	CHK'D: YMATSUMOTO		000		
1 PLACE	± 0.1	APPR: SHOSHIKAWA		C		
0 PLACES	± 0.1	INITIAL REVISION:		REVISION		
DRAFT WHERE APPLICABLE MUST REMAIN WITHIN DIMENSIONS		THIRD ANGLE PROJECTION	DRAWING	SERIES	MATERIAL NUMBER	CUSTOMER
			A3-SIZE	200485	SEE TABLE	GENERAL
						SHEET NUMBER
						1 OF 3

引き出し方向  
PULL OUT  
DIRECTION

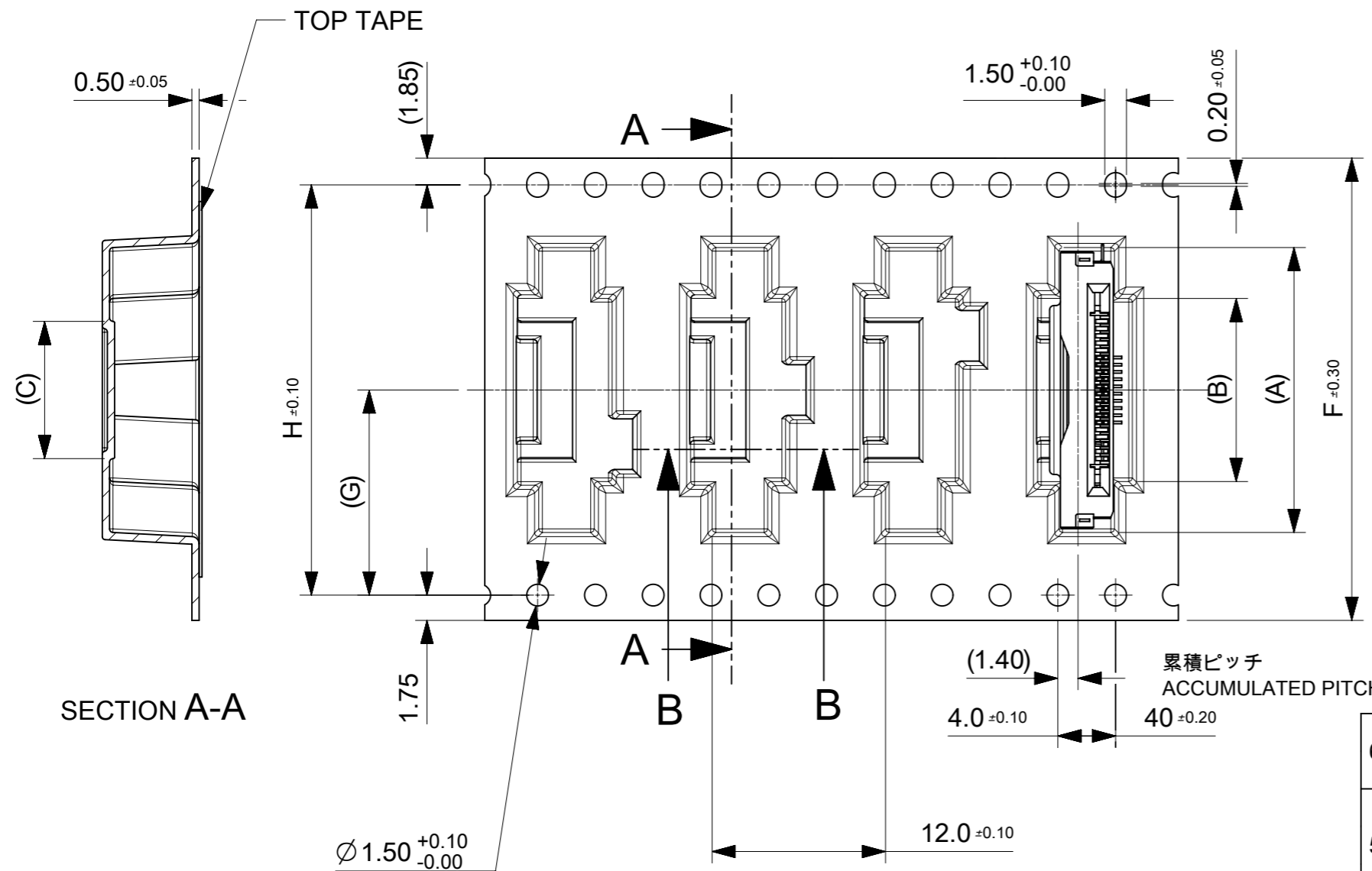


11.5	24	29.4	25.4	4.5	7.65	14.7	2004850510	10
G	F	E	D	C	B	A	EMBOSSED PACKAGE	Ckt
							オーダー番号 ORDER NO.	

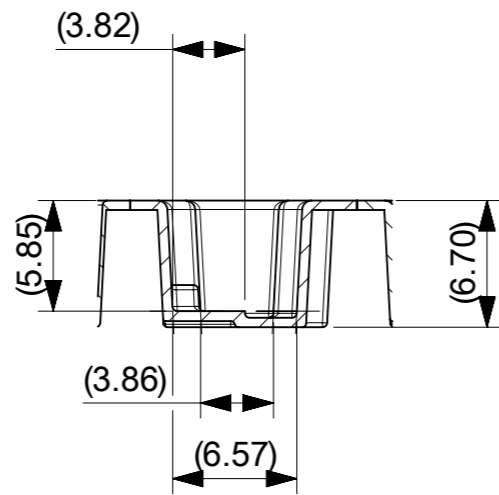
THIS DRAWING CONTAINS INFORMATION THAT IS PROPRIETARY TO MOLEX ELECTRONIC TECHNOLOGIES, LLC AND SHOULD NOT BE USED WITHOUT WRITTEN PERMISSION									
DIMENSION UNITS mm		SCALE NTS		CURRENT REV DESC:				<b>molex</b>	
GENERAL TOLERANCES (UNLESS SPECIFIED)		ANGULAR TOL ± 1.0°		EC NO: 648126					
4 PLACES ± 0.1		3 PLACES ± 0.1		DRWN: TYAMANE		2020/10/15		EMB PKG ONE-TOUCH ST	
2 PLACES ± 0.1		1 PLACE ± 0.1		CHK'D: YMATSUMOTO		2020/10/30		PRODUCT CUSTOMER DRAWING	
0 PLACES ± 0.1		INITIAL REVISION:		APPR: SHOSHIKAWA		2020/11/02		DOCUMENT NUMBER	
DRAFT WHERE APPLICABLE MUST REMAIN WITHIN DIMENSIONS		THIRD ANGLE PROJECTION		DRWN: TYAMANE		2018/09/21		2004850500	
DRAWING A3-SIZE		SERIES 200485		APPR: RTAKEUCHI		2019/09/27		DOC TYPE PSD	
MATERIAL NUMBER SEE TABLE		CUSTOMER GENERAL		REVISION 000		C		SHEET NUMBER 2 OF 3	

CONNECTOR NO. 20048515\*\*

引き出し方向  
PULL OUT  
DIRECTION



SECTION A-A



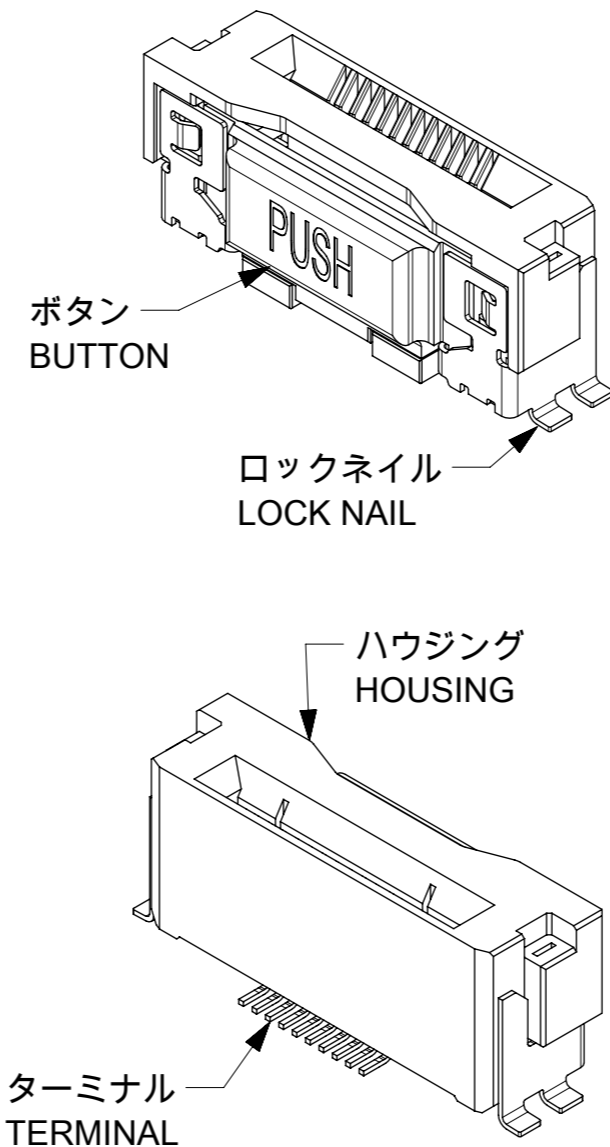
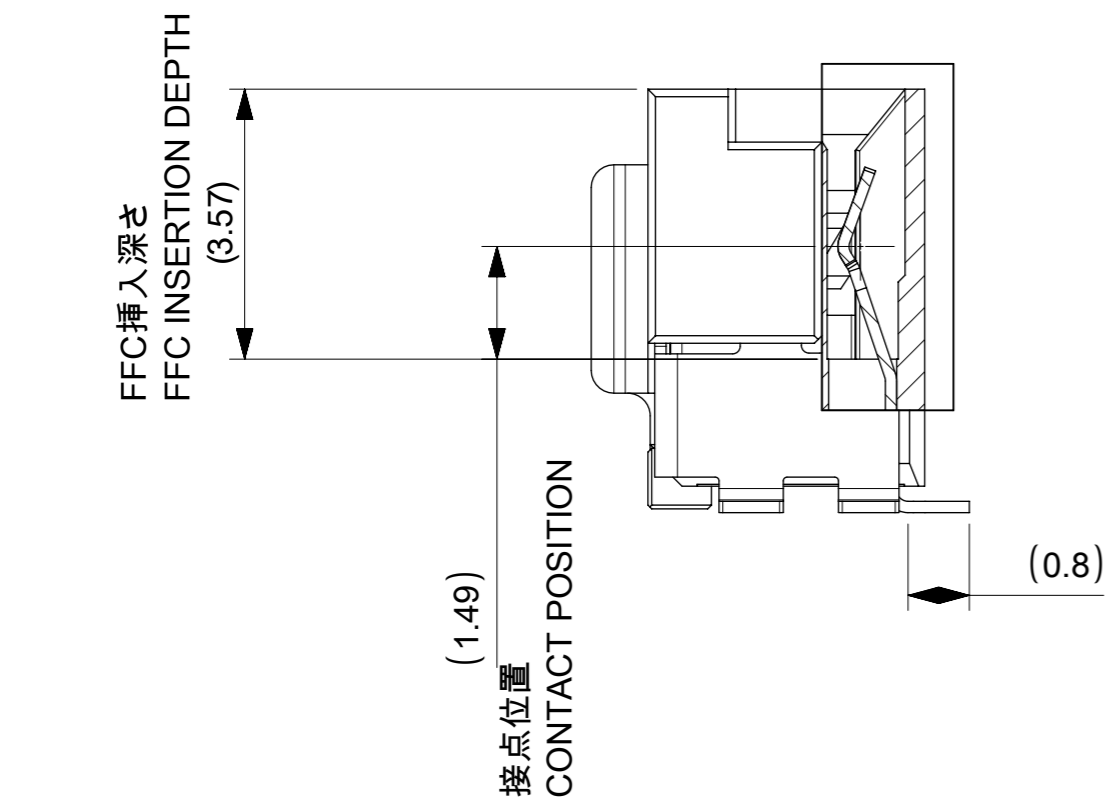
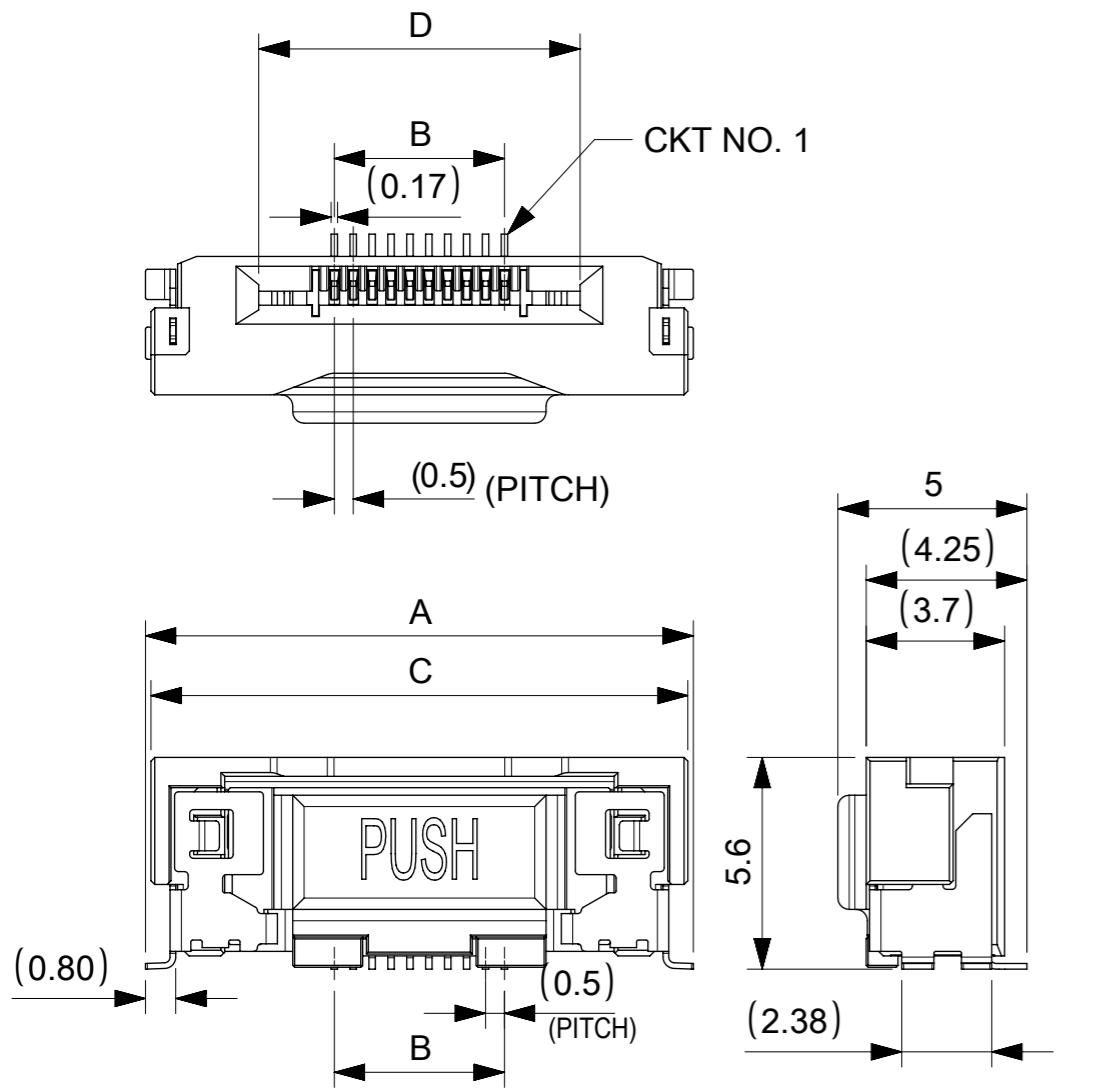
SECTION B-B

CONNECTOR NO. 20048515\*\*

68.4	34.2	72	78.1	73.5	39.5	42.65	49.7	2004850580	80
					34.5	37.65	44.7	2004850570	70
52.4	26.2	56	61.4	75.4	29.5	32.65	39.7	2004850560	60
					25	28.15	35.2	2004850551	51
40.4	20.2	44	49.4	45.4	24.5	27.65	34.7	2004850550	50
					19.5	22.65	29.7	2004850540	40
					17	20.15	27.2	2004850535	35
28.4	14.2	32	37.4	33.4	14.5	17.65	24.7	2004850530	30
					9.5	12.65	19.7	2004850520	20
H	G	F	E	D	C	B	A	EMBOSSED PACKAGE	Ckt
								オーダー番号 ORDER NO.	

THIS DRAWING CONTAINS INFORMATION THAT IS PROPRIETARY TO MOLEX ELECTRONIC TECHNOLOGIES, LLC AND SHOULD NOT BE USED WITHOUT WRITTEN PERMISSION

DIMENSION UNITS	SCALE	CURRENT REV DESC:		<b>molex</b>	
mm	NTS				
GENERAL TOLERANCES (UNLESS SPECIFIED)		EC NO: 648126		EMB PKG ONE-TOUCH ST	
ANGULAR TOL	± 1.0 °	DRWN: TYAMANE 2020/10/15		PRODUCT CUSTOMER DRAWING	
4 PLACES	± 0.1	CHK'D: YMATSUMOTO 2020/10/30		DOCUMENT NUMBER	
3 PLACES	± 0.1	APPR: SHOSHIKAWA 2020/11/02		2004850500	
2 PLACES	± 0.1	INITIAL REVISION:		DOC TYPE	DOC PART
1 PLACE	± 0.1	DRWN: TYAMANE 2018/09/21		PSD	000
0 PLACES	± 0.1	APPR: RTAKEUCHI 2019/09/27		REVISION	C
DRAFT WHERE APPLICABLE MUST REMAIN WITHIN DIMENSIONS		THIRD ANGLE PROJECTION	DRAWING	SERIES	MATERIAL NUMBER
			A3-SIZE	200485	CUSTOMER
					GENERAL
					SHEET NUMBER
					3 OF 3



NOTES:

1.使用材料 MATERIAL  
 ハウジング：液晶ポリマー，ガラス充填，UL94V-0(黒)  
 HOUSING：LIQUID CRYSTAL POLYMER, GLASS FILLED, UL94V-0(BLACK)  
 ボタン：液晶ポリマー，ガラス充填，UL94V-0(ナチュラル)  
 BUTTON：LIQUID CRYSTAL POLYMER, GLASS FILLED, UL94V-0(NATURAL)  
 ターミナル：銅合金(t=0.15)  
 TERMINAL：COPPER ALLOY  
 ロックネイル：銅合金(t=0.15)  
 LOCK NAIL：COPPER ALLOY

2.めっき仕様 PLATING  
 ターミナル TERMINAL  
 接点部：金めっき 0.1μm以上  
 CONTACT AREA：GOLD 0.1 MICROMETER MINIMUM  
 半田付け部：金めっき  
 SOLDER TAIL AREA：GOLD  
 下地めっき：ニッケル 1.0μm以上  
 UNDERPLATE：NICKEL 1.0 MICROMETER MINIMUM  
 ロックネイル LOCK NAIL  
 錫めっき(1.0μm以上)  
 TIN PLATING (1.0 MICROMETER MIN.)

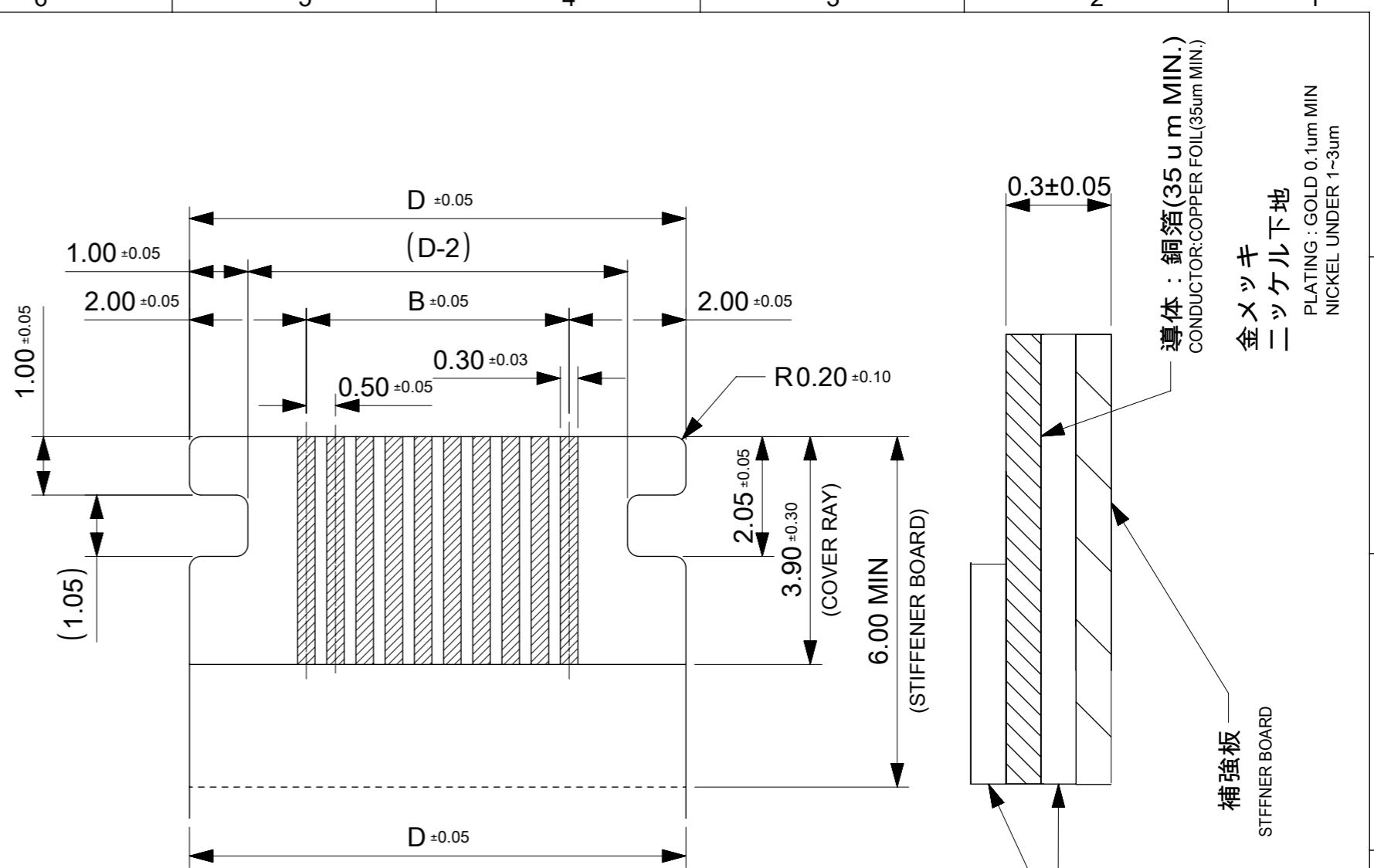
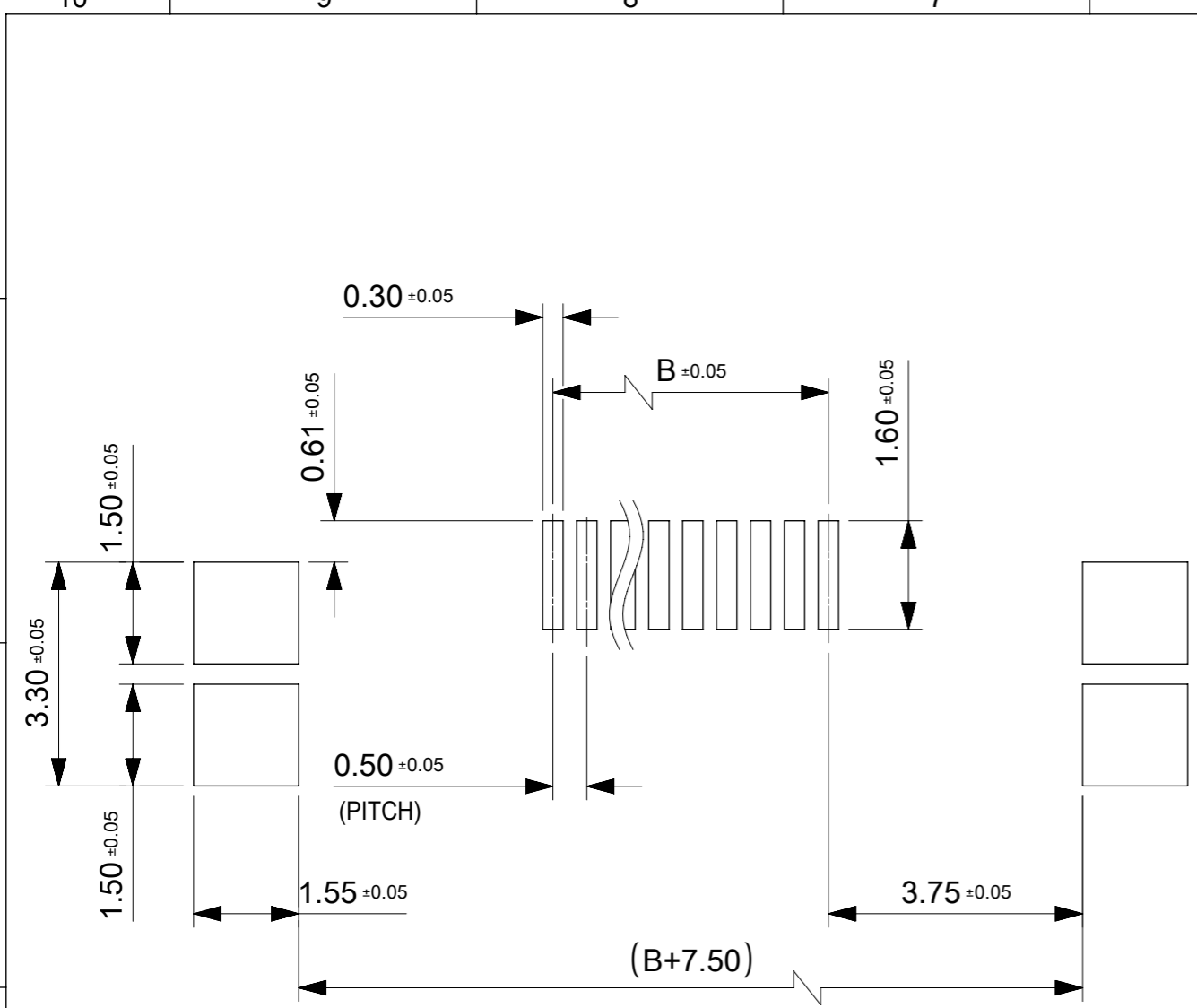
3.平坦度は0.1ミリ以下とする。  
 COPLANALITY TO BE 0.1 MAXIMUM.

1.301	43.5	49.2	39.5	49.49	2004850580	80
1.194	38.5	44.2	34.5	44.49	2004850570	70
1.053	33.5	39.2	29.5	39.49	2004850560	60
0.958	29	34.7	25	34.99	2004850551	51
0.942	28.5	34.2	24.5	34.49	2004850550	50
0.796	23.5	29.2	19.5	29.49	2004850540	40
0.702	21	26.7	17	26.99	2004850535	35
0.650	18.5	24.2	14.5	24.49	2004850530	30
0.504	13.5	19.2	9.5	19.49	2004850520	20
0.358	8.5	14.2	4.5	14.49	2004850510	10
NET WEIGHT (g)	D	C	B	A	EMBOSSED PACKAGE	CIRCUIT

CONNECTOR SERIES NO. 20048515\*\*

THIS DRAWING CONTAINS INFORMATION THAT IS PROPRIETARY TO MOLEX ELECTRONIC TECHNOLOGIES, LLC AND SHOULD NOT BE USED WITHOUT WRITTEN PERMISSION

DIMENSION UNITS	SCALE	CURRENT REV DESC:		<b>molex</b>		
mm	5:1					
GENERAL TOLERANCES (UNLESS SPECIFIED)				0.5FFC CONN. ST ONE TOUCH ASS'Y		
ANGULAR TOL	± 1.0°			PRODUCT CUSTOMER DRAWING		
4 PLACES	± 0.1	EC NO: 674194	2021/08/18	DOCUMENT NUMBER		
3 PLACES	± 0.1	DRWN: AHMADI2	2021/08/19	DOC TYPE		
2 PLACES	± 0.1	CHK'D: TKON	2021/08/19	DOC PART		
1 PLACE	± 0.1	APPR: SHOSHIKAWA	2021/08/19	REVISION		
0 PLACES	± 0.1	INITIAL REVISION:		2004851500		
DRAFT WHERE APPLICABLE MUST REMAIN WITHIN DIMENSIONS		DRWN: TYAMANE	2018/07/12	PSD		
THIRD ANGLE PROJECTION		APPR: RTAKEUCHI	2019/09/27	000		
DRAWING		SERIES		GENERAL		
A3-SIZE		200485		1 OF 2		



推奨PWB寸法  
 RECOMMENDED PWB DIMENSION  
 推奨メタルマスク厚、開口率 : t=0.12mm, 80%  
 RECOMMENDED METAL MASK THICKNESS, APERTURE RATIO : t=0.12mm, 80%  
 ロックネイル部開口率は100%  
 APERTURE RATIO FOR LOCK NAIL: 100%

推奨FFC寸法  
 RECOMMENDED FFC DIMENSION  
 抜き方向は導体側から補強版側を推奨します  
 RECOMMENDED PUNCHING DIRECTION:  
 FROM CONDUCTOR SIDE TO STIFFENER SIDE

THIS DRAWING CONTAINS INFORMATION THAT IS PROPRIETARY TO MOLEX ELECTRONIC TECHNOLOGIES, LLC AND SHOULD NOT BE USED WITHOUT WRITTEN PERMISSION									
DIMENSION UNITS <b>mm</b>		SCALE <b>10:1</b>		CURRENT REV DESC.				<b>molex</b>	
GENERAL TOLERANCES (UNLESS SPECIFIED)				EC NO: 674194					
ANGULAR TOL ± 1.0 °				DRWN: AHMADI2 2021/08/18				0.5FFC CONN. ST ONE TOUCH ASS'Y	
4 PLACES ± 0.1				CHK'D: TKON 2021/08/19					
3 PLACES ± 0.1				APPR: SHOSHIKAWA 2021/08/19				PRODUCT CUSTOMER DRAWING	
2 PLACES ± 0.1				INITIAL REVISION:					
1 PLACE ± 0.1				DRWN: TYAMANE 2018/07/12				DOCUMENT NUMBER	
0 PLACES ± 0.1				APPR: RTAKEUCHI 2019/09/27				2004851500	
DRAFT WHERE APPLICABLE MUST REMAIN WITHIN DIMENSIONS		THIRD ANGLE PROJECTION		DRAWING A3-SIZE		SERIES 200485		MATERIAL NUMBER SEE TABLE	
						CUSTOMER GENERAL		DOC TYPE PSD	
								DOC PART 000	
								REVISION E	
								SHEET NUMBER 2 OF 2	

DOCUMENT STATUS	P1	RELEASE DATE	2021/08/19	01:59:57
-----------------	----	--------------	------------	----------