

THIS DRAWING IS UNPUBLISHED.

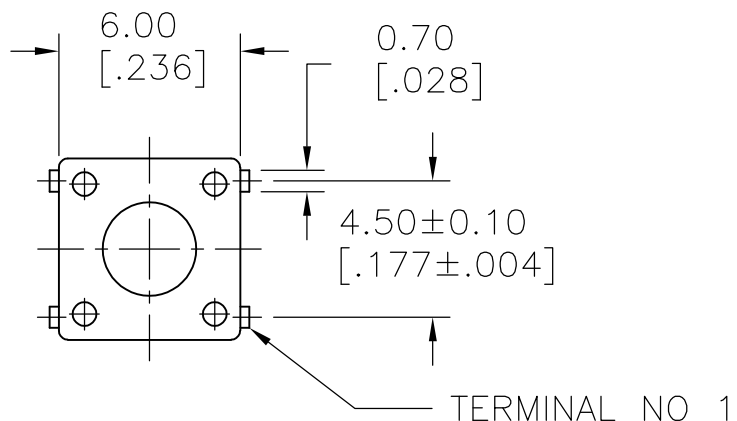
RELEASED FOR PUBLICATION

ALL RIGHTS RESERVED.

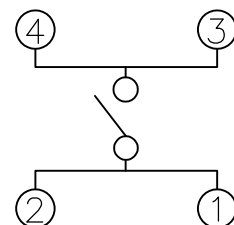
© COPYRIGHT - By -

REVISIONS

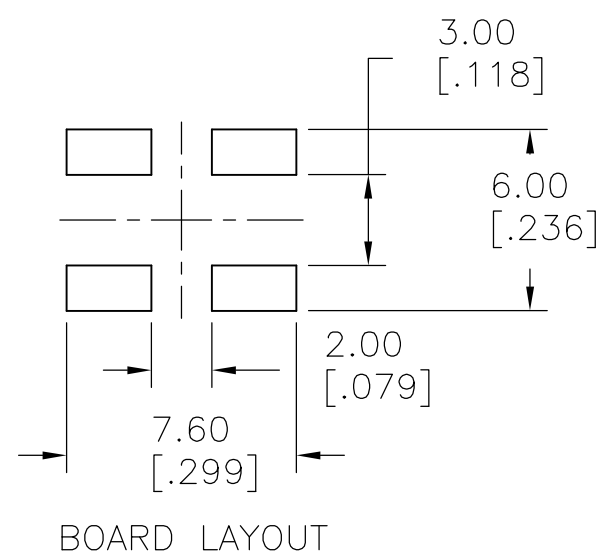
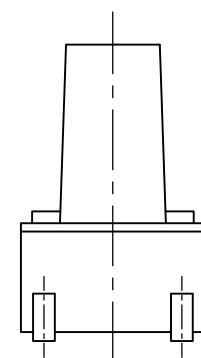
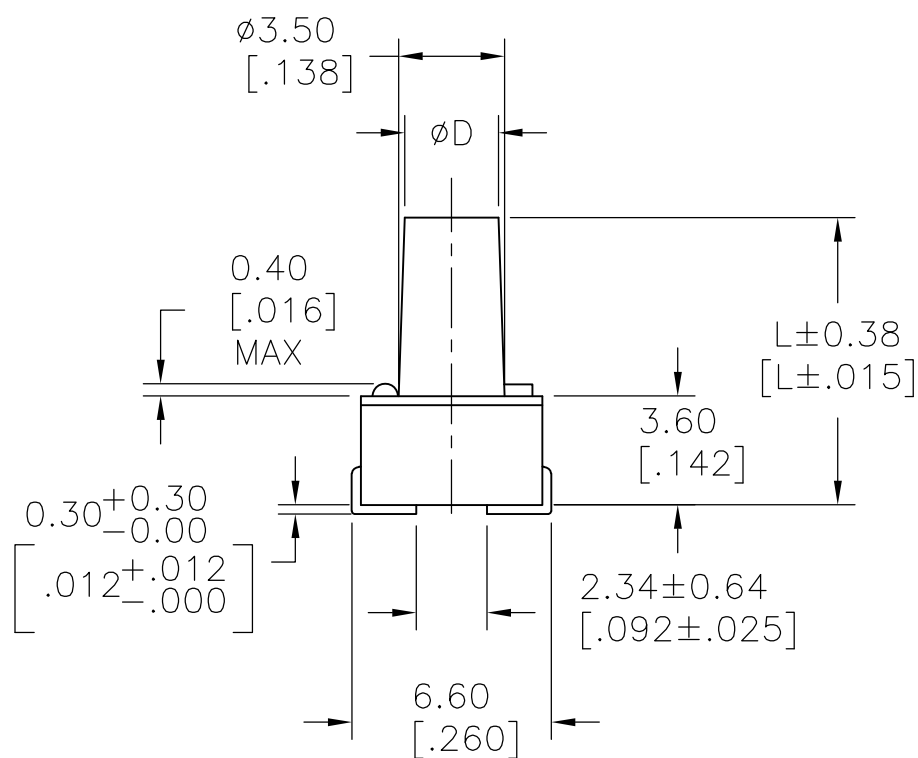
P	LTR	DESCRIPTION	DATE	DWN	APVD
	B	REVISED PER ECO-16-018632	05APR2017	SK	PO



CIRCUIT DIAGRAM



- 1 ACTUATOR TRAVEL:  $0.25^{+0.2}_{-0.1}$  [ $.010^{+.008}_{-.004}$ ].
- 2 CONTACT RESISTANCE: 100mΩ MAX.
- 3 ELECTRICAL RATING: 12VDC @ 50mA MAX.
- 4 OPERATING TEMP: -20° TO 70°C  
45-85% RH
- 5 STORAGE TEMP: -30°C TO 80°C.  
(96 HOURS MAX @ CONTINUOUS TEMP OF  
-20°C TO -30°C AND 70°C TO 80°C).
- 6 OPERATING LIFE: 100,000 CYCLES.
- 7 RIGHT AND LEFT VARIATION HAVE TO BE  
IN 0.10[.004] AFTER TERMINAL BENDING.



BOARD LAYOUT

OBSOLETE	BULK	160±50gf	BLACK	3.10[.122]	9.50[.375]	1977764-2
	TAPE & REEL	160±50gf	BLACK	3.10[.122]	9.50[.375]	1977764-1
	PACKAGE	O/FORCE	STEM COLOR	D(ø)	L	PART NO

THIS DRAWING IS A CONTROLLED DOCUMENT.		DWN RAGHAVENDRA 13DEC10	TE Connectivity			
DIMENSIONS: mm [INCHES]		CHK EPPLEY NAZ 13DEC10				
TOLERANCES UNLESS OTHERWISE SPECIFIED:		APVD EPPLEY NAZ 13DEC10	NAME			
0 PLC ± -		PRODUCT SPEC	TACT SWITCH, J-LEADS			
1 PLC ± -		APPLICATION SPEC	-			
2 PLC ± 0.3[.012]		WEIGHT 0	SIZE A3	CAGE CODE 00779	DRAWING NO C-1977764	RESTRICTED TO -
3 PLC ± -		CUSTOMER DRAWING	SCALE 4:1		SHEET 1 OF 2	REV B
4 PLC ± -						
ANGLES ± -						
FINISH -						

THIS DRAWING IS UNPUBLISHED.

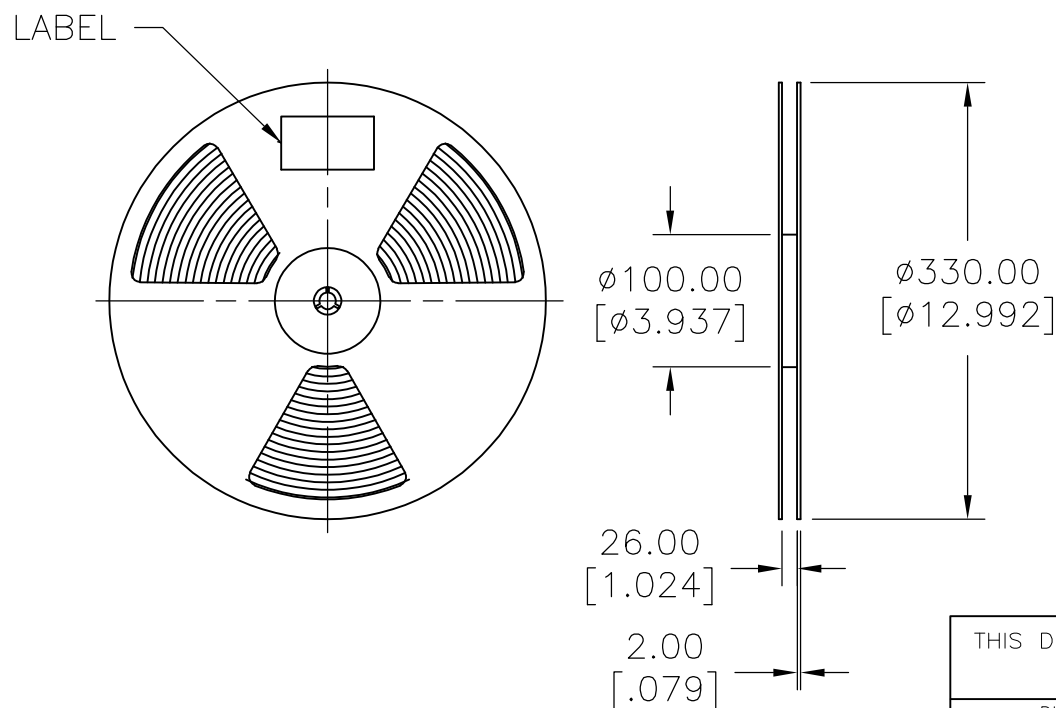
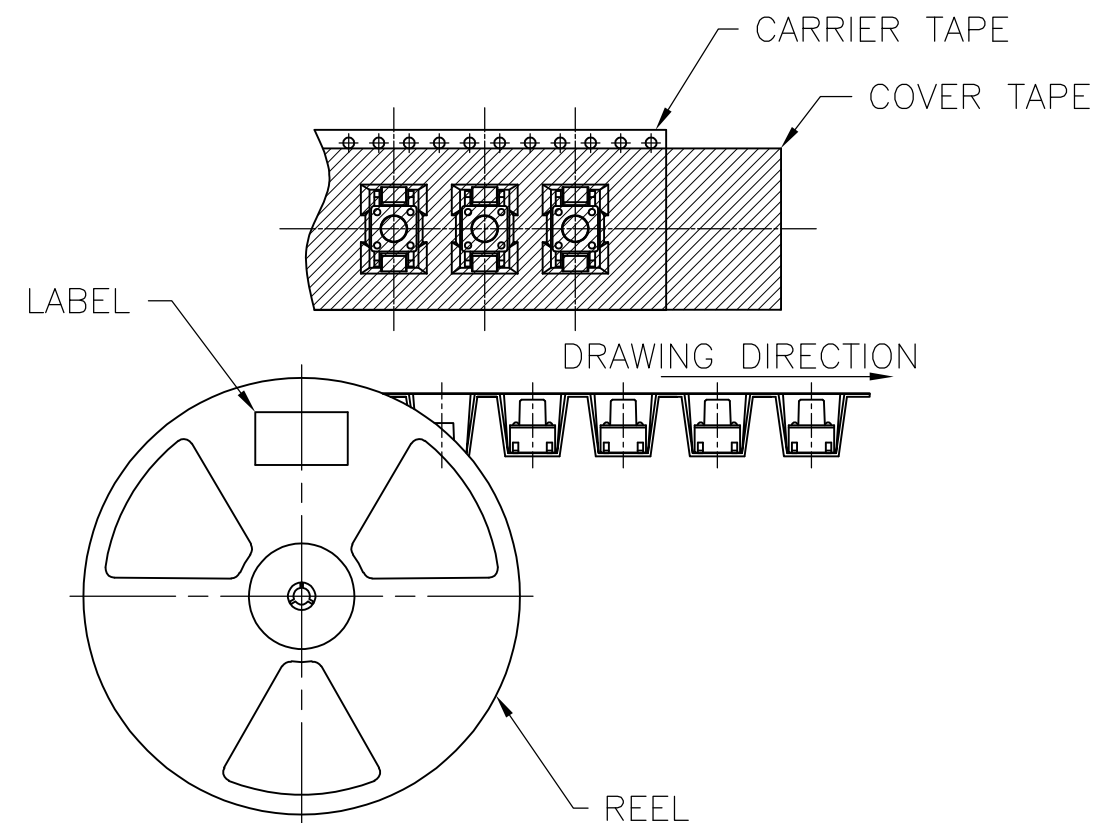
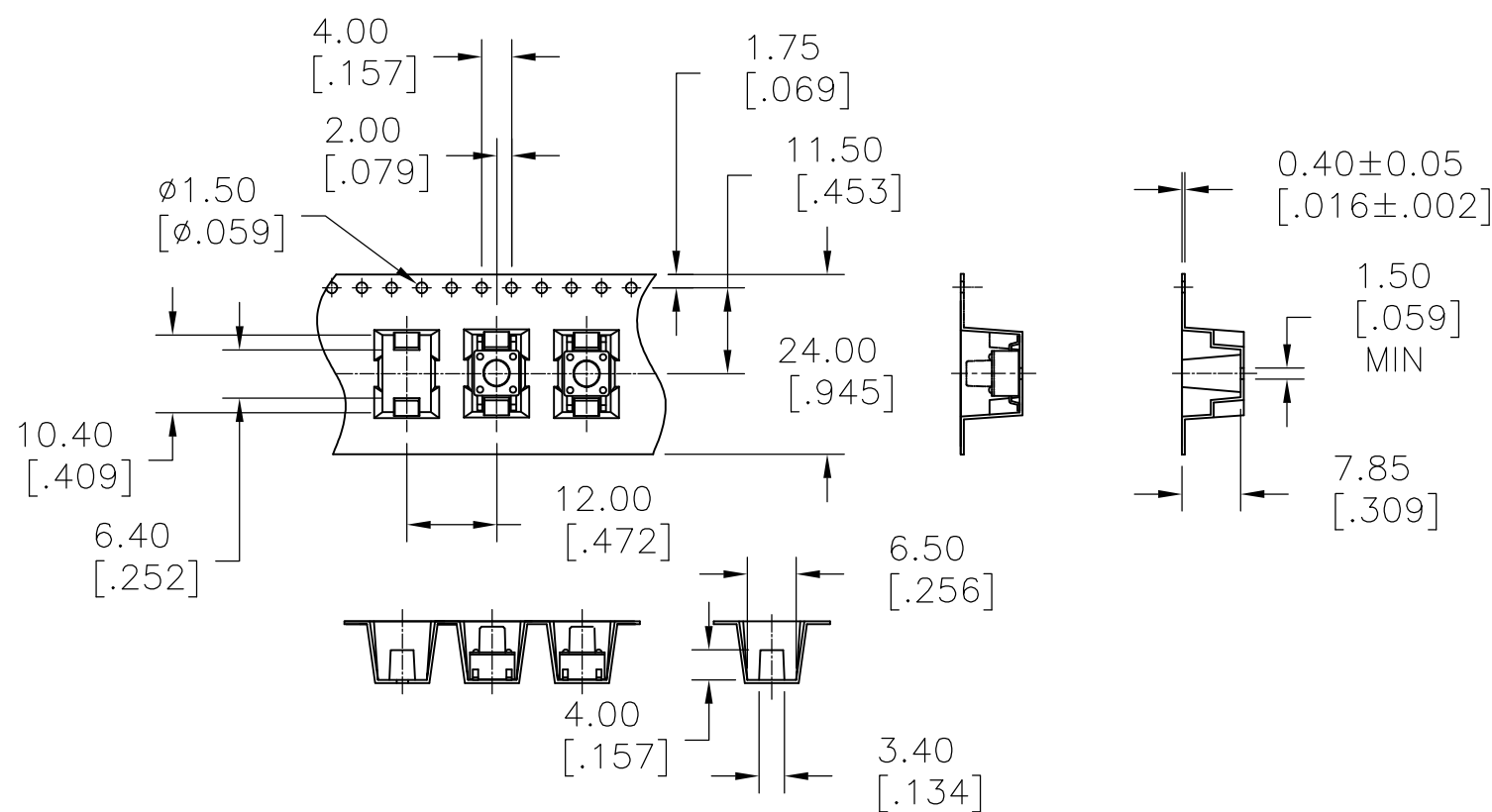
RELEASED FOR PUBLICATION

ALL RIGHTS RESERVED.

© COPYRIGHT - By -

REVISIONS

P	LTR	DESCRIPTION	DATE	DWN	APVD
-	-	SEE SHEET 1	-	-	-



THIS DRAWING IS A CONTROLLED DOCUMENT.		DWN RAGHAVENDRA 13DEC10	<b>STE</b> TE Connectivity		
DIMENSIONS: mm [INCHES]		CHK EPPLEY NAZ 13DEC10			
TOLERANCES UNLESS OTHERWISE SPECIFIED:		APVD EPPLEY NAZ 13DEC10	NAME		
0 PLC ± -		PRODUCT SPEC	TACT SWITCH, J-LEADS		
1 PLC ± -		APPLICATION SPEC	SIZE	CAGE CODE	DRAWING NO
2 PLC ± -		WEIGHT	A3	00779	C-1977764
3 PLC ± 0.3[.012]		CUSTOMER DRAWING	SCALE	SHEET	REV
4 PLC ± -			4:1	2 OF 2	B
ANGLES ± -					
FINISH					
MATERIAL					