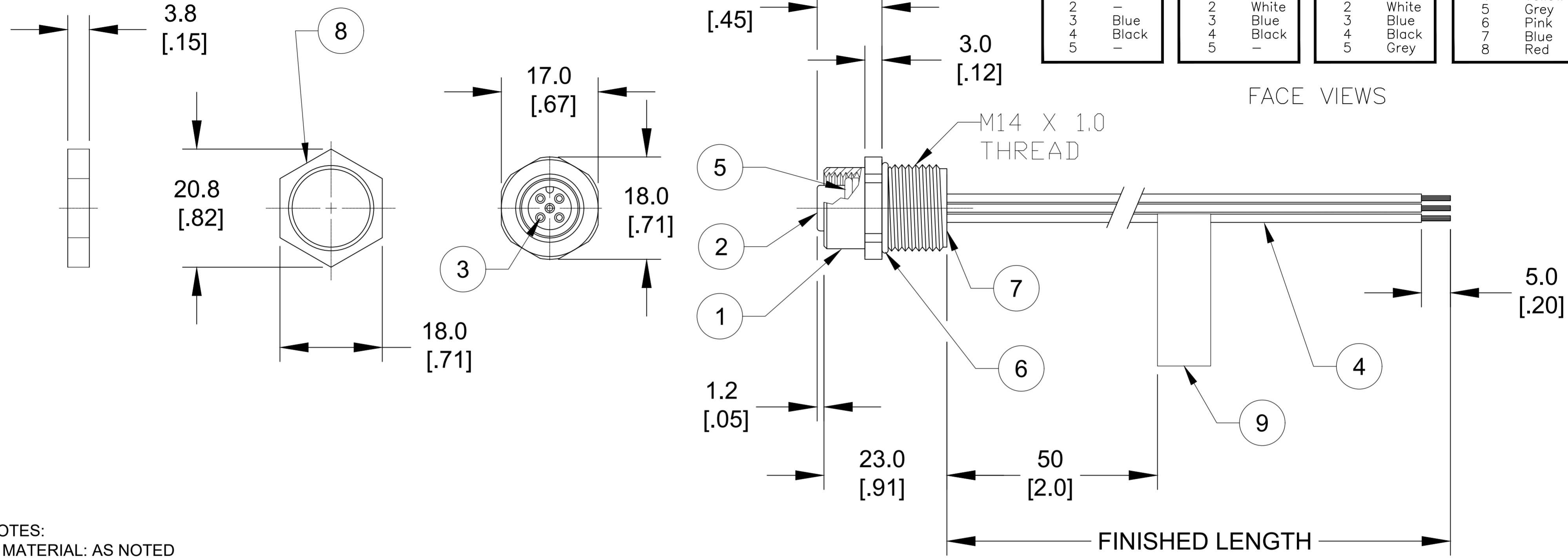
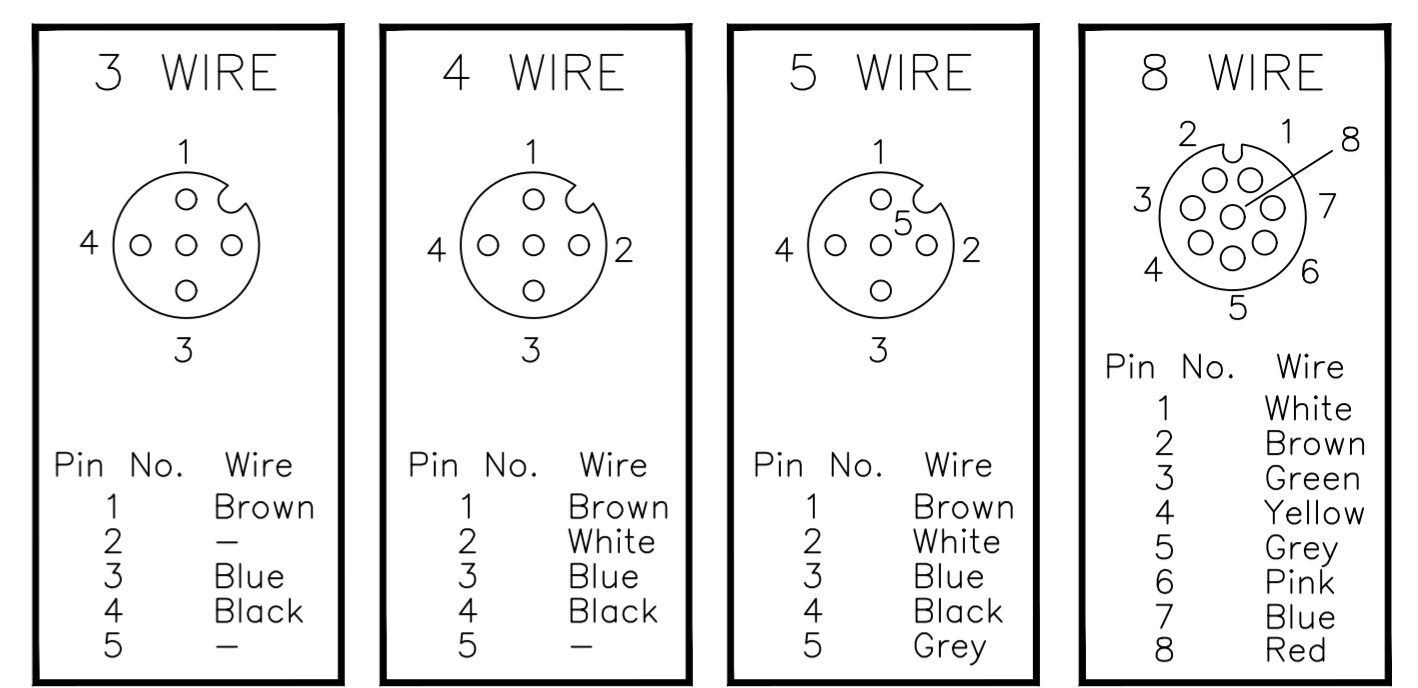
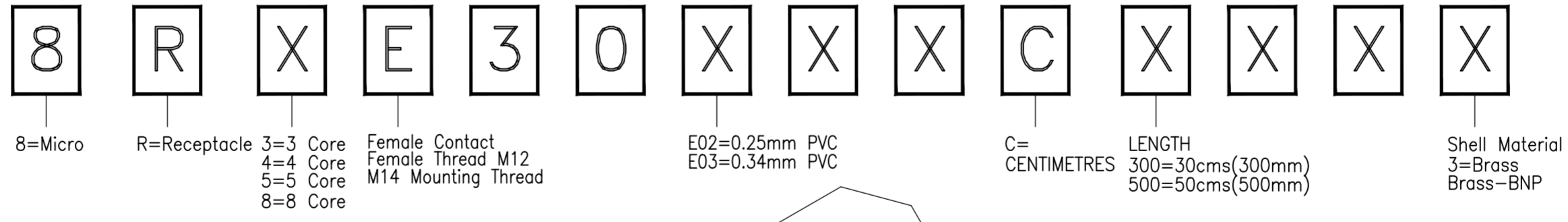


PART NO.	POLES	ENGINEERING NO.	SHELL MATERIAL	FINISH	WIRE GAGE	FINISHED LENGTH
1200110013	4	8R4E30E03C3003	BRASS	NICKEL PLATE	22	3CM [11.8 IN.]
1200110474	4	8R4E30E03C6003	BRASS	NICKEL PLATE	22	6CM [23.6 IN.]
1200110033	5	8R5E30E03C3003	BRASS	NICKEL PLATE	22	3CM [11.8 IN.]
1200708079	8	8R8E30E03C3001	ST. STEEL		22	3CM [11.8 IN.]
1200110330	8	8R8E30E03C3003	BRASS	NICKEL PLATE	22	3CM [11.8 IN.]



- NOTES:**
- MATERIAL: AS NOTED
 - FINISH: AS NOTED
 - ELECTRICAL:
VOLTAGE: 250V (3, 4 & 5 POLE)
CURRENT: 4A
VOLTAGE: 30VAC/36VDC (8 POLE)
CURRENT: 2A
 - TEMP RATING: -25°C TO +105°C
 - PROTECTION: IP67 (WHEN MATED)
 - COUPLING THREAD: M12 X 1.0
 - ALL DIMS ARE FOR REFERENCE UNLESS TOLERANCED OR NOTED OTHERWISE

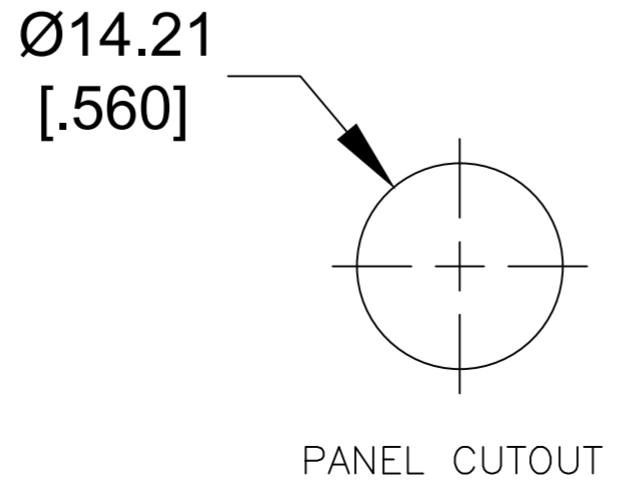
PART No MATRIX



CABLE LENGTH TOLERANCES

>.3M [1FT]:	+19mm-0 [+ .75in-0]
.3 - .9M [1 - 3FT]:	+44.5mm-0 [+1.75in-0]
.9 - 1.8M [3 - 6FT]:	+55.6mm-0 [+2.19in-0]
1.8 - 3.7M [6 - 12FT]:	+88.9mm-0 [+3.50in-0]
3.7 - 7.3M [12 - 24FT]:	+165.1mm-0 [+6.50in-0]
7.3-14.6M [24 - 48FT]:	+317.5mm-0 [+12.50in-0]
14.6 - 30.5M [48-100FT]:	+622.3mm-0 [+24.50in-0]
OVER 30M [100FT]	+2% OF FINISHED LENGTH

PRE-RELEASE
REFERENCE
USE ONLY



REF. THIS DRAWING SUPERSEDES 8RE30XXXCXXXX REV-B

ITEM	DESCRIPTION	MATERIAL	FINISH
9	FLAG LABEL	VINYL	BLACK/YELLOW
8	PANEL NUT	STEEL	NICKEL PLATED
7	POTTING MATERIAL	PUR	
6	O-RING (PANEL SEAL)	NITRILE	BLACK
5	O-RING (MATING)	VITON	RED
4	WIRE (UL1569)	PVC INSULATION	SEE FACE VIEWS
3	CONTACT SOCKET	COPPER ALLOY	GOLD PLATED
2	FEMALE INSERT	PUR	BLACK
1	RECEPTACLE SHELL	SEE P/N CHART	SEE P/N CHART

THIS DRAWING CONTAINS INFORMATION THAT IS PROPRIETARY TO MOLEX ELECTRONIC TECHNOLOGIES, LLC AND SHOULD NOT BE USED WITHOUT WRITTEN PERMISSION

DIMENSION UNITS	SCALE	CURRENT REV DESC: INITIAL RELEASE, SUPERSEDES 8RXE30XXXCXXXX
MM/INCH	---	
GENERAL TOLERANCES (UNLESS SPECIFIED)		EC NO: ----
	mm	INCH
4 PLACES	±----	±----
3 PLACES	±----	±----
2 PLACES	±----	±----
1 PLACE	±----	±----
0 PLACES	±----	±----
ANGULAR TOL ±	----	°
DRAFT WHERE APPLICABLE MUST REMAIN WITHIN DIMENSIONS	THIRD ANGLE PROJECTION	DRAWING SERIES
		C-SIZE 120011

DRWN: RSTONE 2019/12/11
CHK'D: MZIELINSKI 2020/01/06
APPR: ----

INITIAL REVISION:
DRWN: RSTONE 2019/12/11
APPR: ----

molex

MICRO-CHANGE RECEPTACLE 80 SERIES
M12 FEMALE, FRONT PANEL MOUNT

PRODUCT CUSTOMER DRAWING

DOCUMENT NUMBER: 1200110013
DOC TYPE: PSD
DOC PART: 000
REVISION: 1

MATERIAL NUMBER: SEE P/N CHART
CUSTOMER: ----
SHEET NUMBER: 1 OF 1