

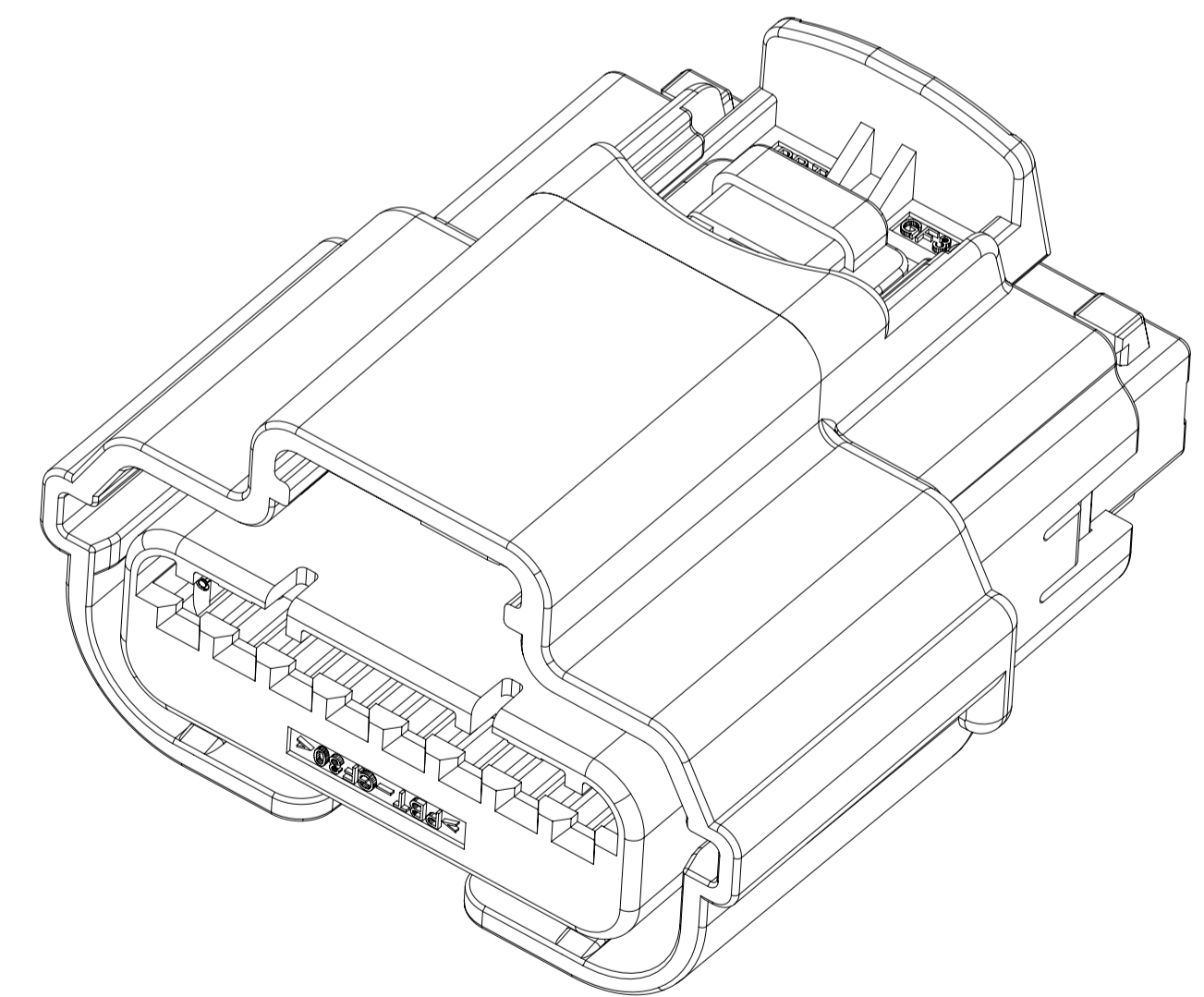
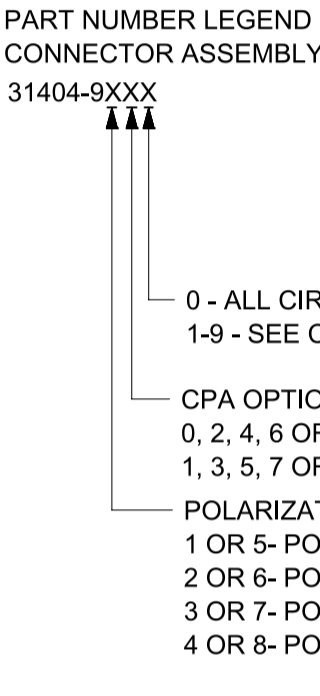
WITHOUT CPA		WITH CPA		CIRCUIT SIZE	POLARIZATION	CONNECTOR HOUSING COLOR	TESTED WITH THE FEMALE TERMINAL	CAVITY WITH A NUMBER INDICATES BLOCKED TERMINAL POSITION CAVITY WITHOUT A NUMBER INDICATES OPEN TERMINAL POSITION								TOTAL CIRCUITS PLUGGED	STATUS	WIRE DRESS COVER(OPTIONAL)	
MOLEX P/N	MOLEX P/N	1	2					3	4	5	6	7	8	HORIZONTAL	VERTICAL				
31404-9100	31404-9110				A	BLACK							0	SALABLE					
31404-9101	31404-9111				A	BLACK				3			1	SALABLE					
31404-9102	31404-9112				A	BLACK				3	4		2	SALABLE					
31404-9103	31404-9113				A	BLACK							3	SALABLE					
31404-9104	31404-9114				A	BLACK							4	SALABLE					
31404-9105	31404-9115				A	BLACK							5	SALABLE					
31404-9106	31404-9116				A	BLACK							6	SALABLE					
31404-9107	31404-9117				A	BLACK							7	SALABLE					
31404-9108	31404-9118				A	BLACK							8	SALABLE					
31404-9109	31404-9119				A	BLACK							3	SALABLE					
31404-9121	31404-9131				A	BLACK							1	SALABLE					
31404-9122	31404-9132				A	BLACK							2	SALABLE					
31404-9123	31404-9133				A	BLACK							3	SALABLE					
31404-9124	31404-9134				A	BLACK							4	SALABLE					
31404-9125	31404-9135				A	BLACK							5	SALABLE					
31404-9126	31404-9136				A	BLACK							6	SALABLE					
31404-9127	31404-9137				A	BLACK							7	SALABLE					
31404-9128	31404-9138				A	BLACK							8	SALABLE					
31404-9129	31404-9139				A	BLACK							3	SALABLE					
31404-9141	31404-9151				A	BLACK							1	SALABLE					
31404-9142	31404-9152				A	BLACK							2	SALABLE					
31404-9143	31404-9153				A	BLACK							3	SALABLE					
31404-9144	31404-9154				A	BLACK							6	SALABLE					
31404-9161	31404-9171				A	BLACK							1	SALABLE					
31404-9162	31404-9172				A	BLACK							2	SALABLE					
31404-9163	31404-9173				A	BLACK							3	SALABLE					
31404-9182	31404-9192				A	BLACK							2	SALABLE					
31404-9183	31404-9193				A	BLACK							3	SALABLE					
31404-9501	31404-9511				A	LT.GRAY							1	SALABLE					
31404-9502	31404-9512				A	BLACK							2	SALABLE					
31404-9503	31404-9513				A	BLACK							3	SALABLE					
31404-9522	31404-9532				A	BLACK							2	SALABLE					
31404-9523	31404-9533				A	BLACK							3	SALABLE					
31404-9542	31404-9552				A	BLACK							2	SALABLE					
31404-9543	31404-9553				A	BLACK							3	SALABLE					
31404-9562	31404-9572				A	BLACK							2	SALABLE					
31404-9563	31404-9573				A	BLACK							3	SALABLE					
31404-9583	31404-9593				A	BLACK							7	SALABLE					
31404-9584	31404-9594				A	BLACK							8	SALABLE					
31404-9200	31404-9210				B	LT.GRAY							0	SALABLE					
31404-9203	31404-9213				B	LT.GRAY							3	SALABLE					
31404-9204	31404-9214				B	LT.GRAY							7	SALABLE					
31404-9300	31404-9310				C	DK.GRAY							2	SALABLE					
31404-9400	31404-9410				D	TBD							0	NOT TOOL					
31404-9001	31404-9006				B	BLACK							0	SALABLE					
31404-9002	31404-9007				C	BLACK							0	SALABLE					
31404-9003	31404-9008				C	LT.GRAY							0	SALABLE					
31404-9004	31404-9009				A	DK.GRAY							0	SALABLE					
31404-9005	31404-9010				B	DK.GRAY							0	SALABLE					
31404-9184	31404-9595				A	BLACK							6	SALABLE					
31404-9586	31404-9596				A	BLACK							7	SALABLE					

NOTES: VALID UNLESS OTHERWISE SPECIFIED

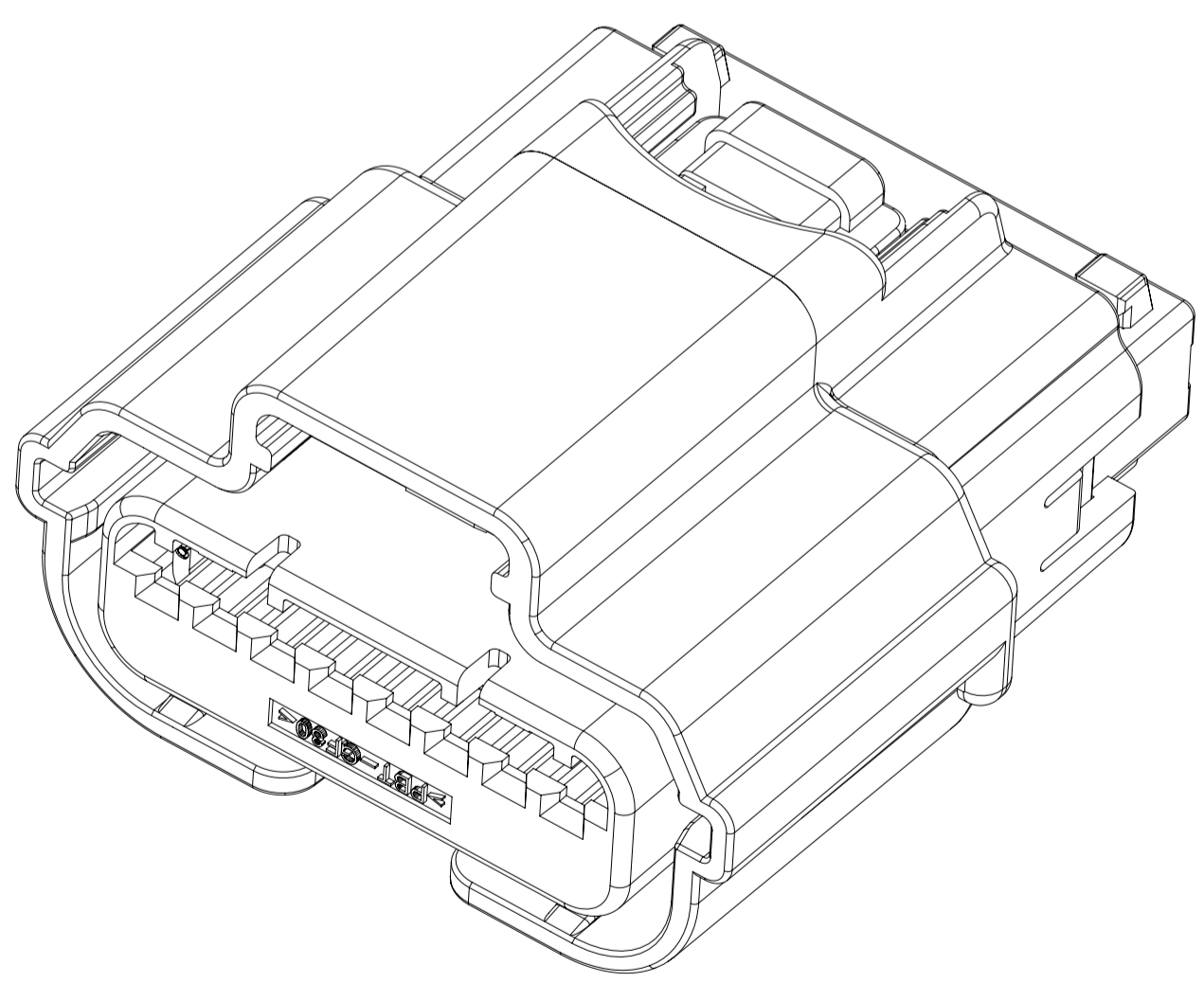
- GENERAL:
    - a. APPLICATION SPECIFICATION SEE: AS-31402-000
    - DESIGNED TO MATE WITH DEVICE CONNECTION AS SPECIFIED IN USCAR INTERFACE DRAWING FOR SINGLE ROW SEALED 0.64 SYSTEMS. 064-S-008-1-Z02.
    - ASSEMBLY SHIPPED WITH TPA IN PRE-SET POSITION (SEE SECTION Z-Z) UPON FULL TERMINAL ASSEMBLY. TPA MUST BE SNAPPED INTO ITS FINAL LOCK POSITION AFTER TERMINALS ARE ASSEMBLED (SEE SECTION Y-Y)
    - TPA'S MAY BECOME SEATED DURING TRANSIT. IF THIS OCCURS, TPA'S SHOULD BE MOVED TO THE PRE-LOCKED POSITION PRIOR TO FEMALE TERMINAL INSTALLATION.
    - REFERENCE PRODUCT SPECIFICATION: PS-34646-001.
    - SYSTEM TO BE USED WITH WIRE WITHIN RANGE OF:
      - >SAE 22 AWG TO 18 AWG
      - >ISO 0.35MM<sup>2</sup> TO 0.75MM<sup>2</sup> PER GMW156256
      - >CABLE OUTSIDE DIAMETER: FROM 1.2MM TO 1.9 MM
  - PRODUCT SPECIFICATION SEE: PS-31404-001
  - PACKAGING SPECIFICATION PER MOLEX DRAWING: PK-31300-256
  - PARTS MUST BE IN COMPLIANCE TO MOLEX CHEMICAL SUBSTANCES FOR PRODUCTS AND PACKAGING SPECIFICATION: ES-40000-5016
  - DATA MUST BE SUBMITTED UNDER THE MOLEX PART NUMBER TO IMDS (COMPANY ID#13255)
- DESIGN - MATERIALS:
    - a. SEE BOM TABLE IN PAGE 2
  - DESIGN - GEOMETRY:
    - a. THIS IS A 100% CAD GENERATED PART. THE CAD MATHEMATICAL DATA IS THE MASTER FOR THIS PART. FOR DIMENSIONAL OR ANY INFORMATION
    - b. DATE CODE: FIRST TWO DIGITS ARE THE CALENDAR YEAR (EXAMPLE: 13 = 2013). THIRD THROUGH 5TH DIGIT DAY # OF THE CALENDAR YEAR (EXAMPLE: FEB. 3RD = '034').
    - c. VISUAL DEFECTS SHALL MEET COSMETIC STANDARD PS-45499-002 (Class B)

TABLE OF CONTENTS	
SHEET NO.	SHEET DESCRIPTION
1	NOTE
2	BOM
3	KEY CONFIGURATION
4	WIRE DRESS COVER ASSEMBLY

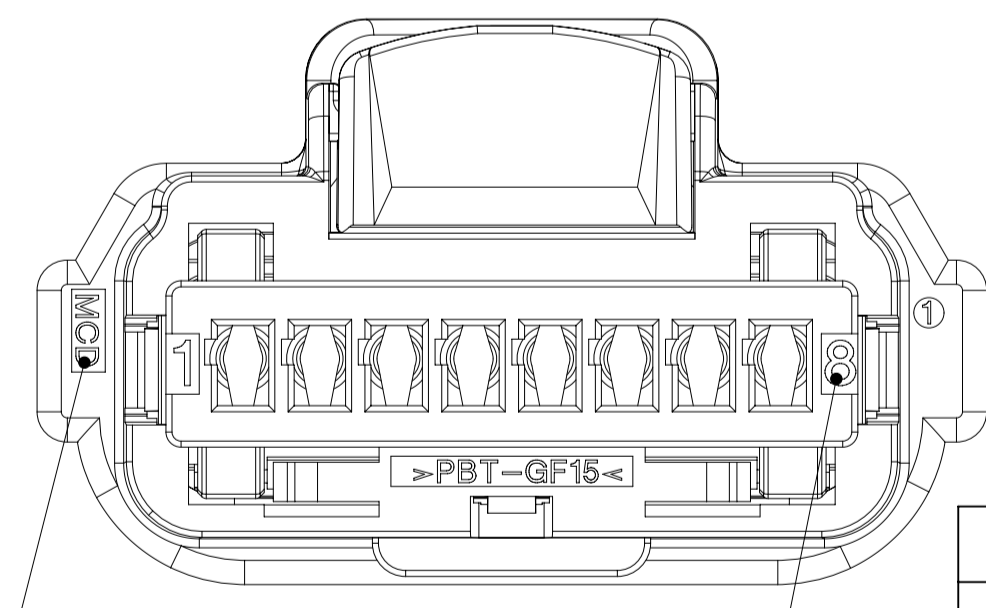
G12	REMOVE 31404-9585, ADD 31404-9184 BACK
G11	ADD P/N: 31404-9585/9595, 31404-9586/9596; Delete 31404-9184/9194
G10	ADD P/N: 31404-9184/9194
G9	UPDATE CONFIGURATION FOR P/N 31404-9144/9154
G8	ADD P/N: 31404-9001 TO 9010, 31404-9144/9154
G7	ADD P/N: 31404-9128/9138, 31404-9129/9139
G6	ADD P/N: 31404-9127/9137
G5	ADD P/N: 31404-9125/9135
G4	ADD P/N: 31404-9109/9119
G3	ADD P/N: 31404-9203/9213, DELETE OBSOLETE P/Ns (31404-8XXX)
G2	UPDATE COLOR DESCRIPTION
G1	ADD P/N: 31404-9107/9117, 31404-9108/9118
G	OBSOLETE P/N 31404-8XXX ADD NEW P/N 31404-9501/31404-9511
F	ADD P/N 31404-9583/9593, 31404-9584/9594 AND 31404-9204/9214 CHANGE STATUS FROM "TOOED" TO "SALABLE"
E6	CHANGE P/N 31401-9101 TO 31404-9101
E3	ADD P/N: 31404-8563/8573 AND 31404-9563/9573
E2	ADD P/N: 31404-8126/8136 AND 31404-9126/9136
E1	ADD P/N: 31404-8106/8116 AND 31404-9106/9116
E	ADD P/N: 31404-9XXX BASED ON THE PRODUCT UPGRADE
D3	ADD P/N: 31404-8562, 31404-8572,
D2	ADD P/N: 31404-8161 AND 31404-8171 31404-8542 AND 31404-8552 AND MANUFACTURING LOCATION ID
D1	ADD P/N: 31404-8522 AND 31404-8532
D	ADD P/N: 31404-8502 AND 31404-8512
C2	UPDATE NOTE 1_a ADD TE TERMINAL IN THE LIST
C1	UPDATE TERMINAL AND WIRE INFORMATON
C	ADD WIRE DRESS CONVER P/N.
B	ADD P/N
A	INITIAL RELEASE SAP # 10647976
REV	REV DESCRIPTION



WITH CPA



WITHOUT CPA



MANUFACTURING LOCATION ID

CIRCUIT ID

INSPECTION BALLOON NUMBER LOG

PER DRAWING REVISION: F

LAST BALLOON NUMBER USED: 4

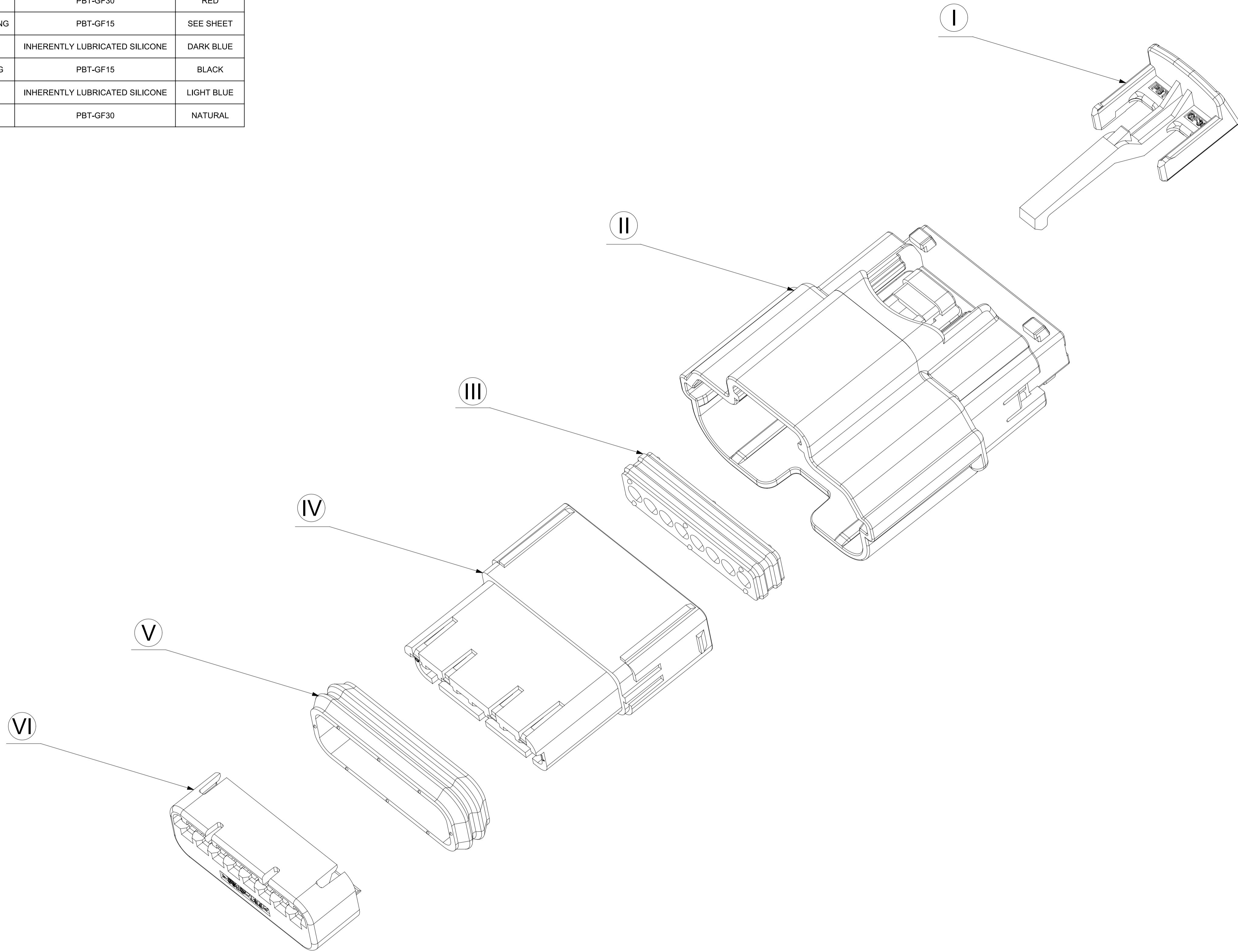
ADDED BALLOON NUMBERS:

REMOVED BALLOON NUMBERS:

SYMBOLS		THIS DRAWING CONTAINS INFORMATION THAT IS PROPRIETARY TO MOLEX ELECTRONIC TECHNOLOGIES, LLC AND SHOULD NOT BE USED WITHOUT WRITTEN PERMISSION		CURRENT REV DESC:		molex				
	= 0	DIMENSION UNITS	SCALE			<b>USCAR 0.64MM 8 WAY</b> <b>ADD NEW P/N: 314049184/9194</b>				
	= 0	mm	4:1							
	= 0	GENERAL TOLERANCES (UNLESS SPECIFIED)								
	= 0	ANGULAR TOL ± 0.5°								
	= 0	EC NO: CO-00000853								
	= 0	4 PLACES	± 0	DRWN: Yan Allen 15-Apr-2022		<b>PRODUCT SALES DRAWING</b>				
	= 0	3 PLACES	± 0	CHK'D: Fiona Chen 15-Apr-2022						
	= 0	2 PLACES	± 0	APPR: Colin Zhang 20-Apr-2022						
	= 0	1 PLACE	± 0	INITIAL REVISION:		DOCUMENT NUMBER: <b>SD-31404-811</b> DOC TYPE: PSD    DOC PART: 001    REVISION: G12				
	= 0	0 PLACES	± 0	DRWN: Yan Allen 14-Feb-2022						
	= 0	DRAFT WHERE APPLICABLE MUST REMAIN WITHIN DIMENSIONS		APPR: David Xie 24-Feb-2022		MATERIAL NUMBER		CUSTOMER		SHEET NUMBER
				THIRD ANGLE PROJECTION		DRAWING		SERIES		GENERAL MARKET
						A1-SIZE		31404		1 OF 4

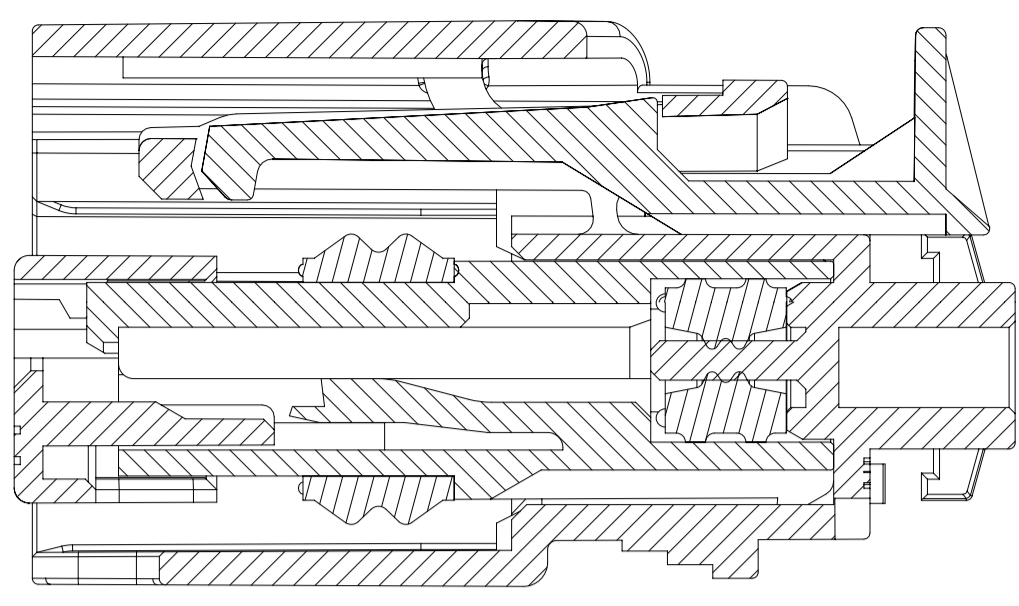
SHEET DESCRIPTION	
BOM	

ITEM NO.	DESCRIPTION	MATERIAL	COLOR
I	CPA	PBT-GF30	RED
II	CONNECTOR HOUSING	PBT-GF15	SEE SHEET
III	MATTE SEAL	INHERENTLY LUBRICATED SILICONE	DARK BLUE
IV	TERMINAL HOUSING	PBT-GF15	BLACK
V	PERIPHERAL SEAL	INHERENTLY LUBRICATED SILICONE	LIGHT BLUE
VI	TPA	PBT-GF30	NATURAL

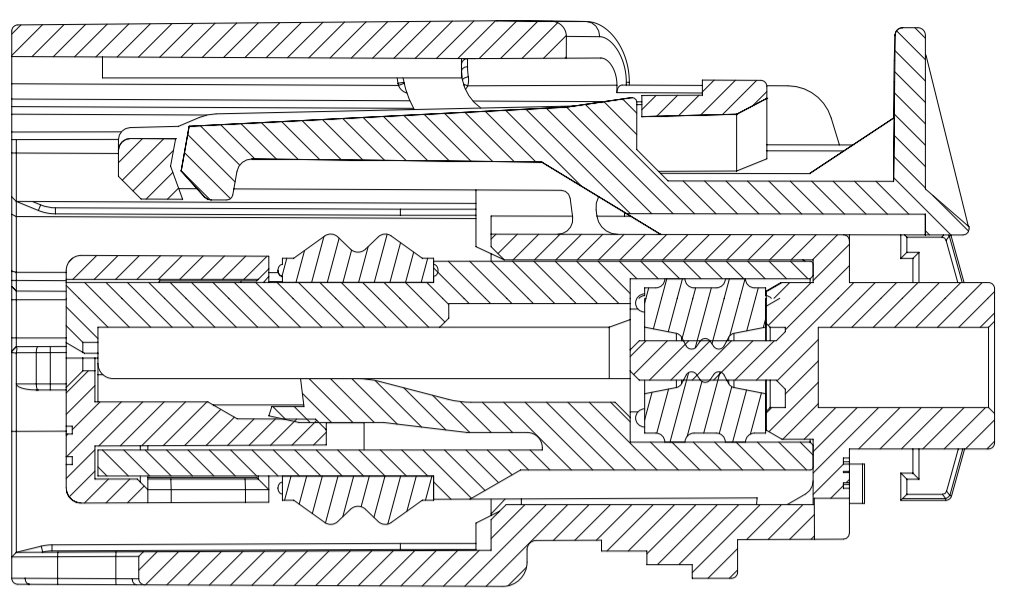


<b>SYMBOLS</b> = 0 = 0 = 0 = 0 = 0 = 0 = 0 = 0 = 0	THIS DRAWING CONTAINS INFORMATION THAT IS PROPRIETARY TO MOLEX ELECTRONIC TECHNOLOGIES, LLC AND SHOULD NOT BE USED WITHOUT WRITTEN PERMISSION DIMENSION UNITS: <b>mm</b> SCALE: <b>4:1</b>		CURRENT REV DESC: EC NO: CO-000000853 DRWN: Yan Allen    15-Apr-2022 CHK'D: Fiona Chen    15-Apr-2022 APPR: Colin Zhang    20-Apr-2022		 USCAR 0.64MM 8 WAY ADD NEW P/N: 314049184/9194		
	GENERAL TOLERANCES (UNLESS SPECIFIED) ANGULAR TOL ± 0.5° 4 PLACES ± 0 3 PLACES ± 0 2 PLACES ± 0 1 PLACE ± 0 0 PLACES ± 0		INITIAL REVISION: DRWN: Yan Allen    14-Feb-2022 APPR: David Xie    24-Feb-2022				
DRAFT WHERE APPLICABLE MUST REMAIN WITHIN DIMENSIONS		THIRD ANGLE PROJECTION	DRAWING: <b>A1-SIZE</b>	SERIES: <b>31404</b>	MATERIAL NUMBER:	CUSTOMER: <b>GENERAL MARKET</b>	SHEET NUMBER: <b>2 OF 4</b>

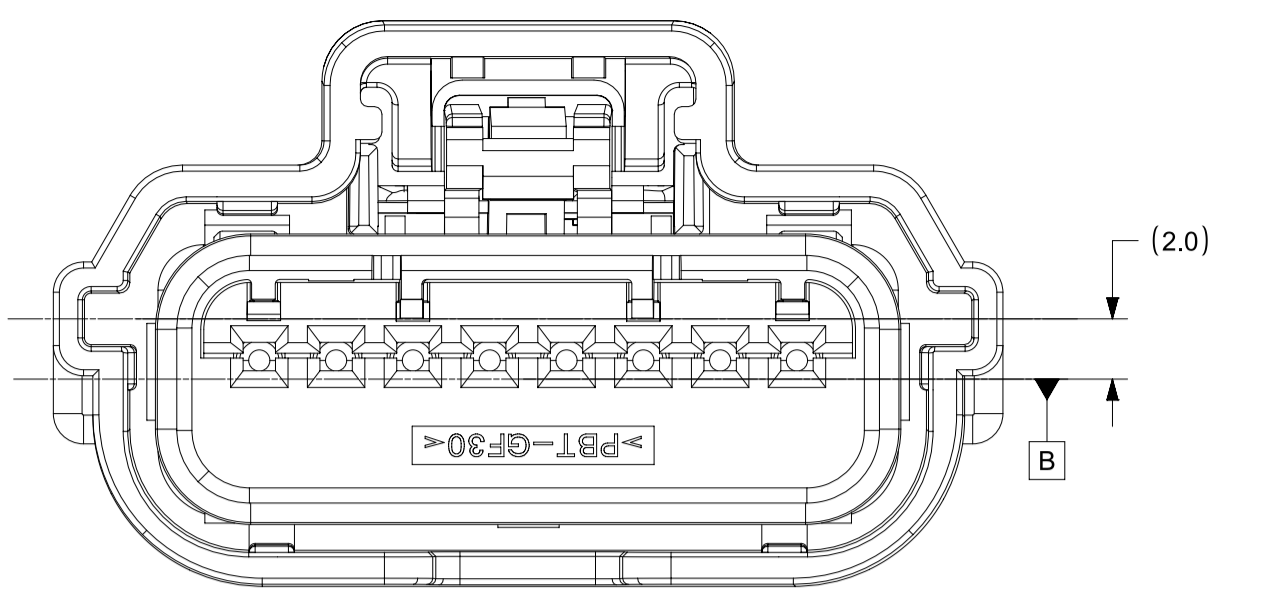
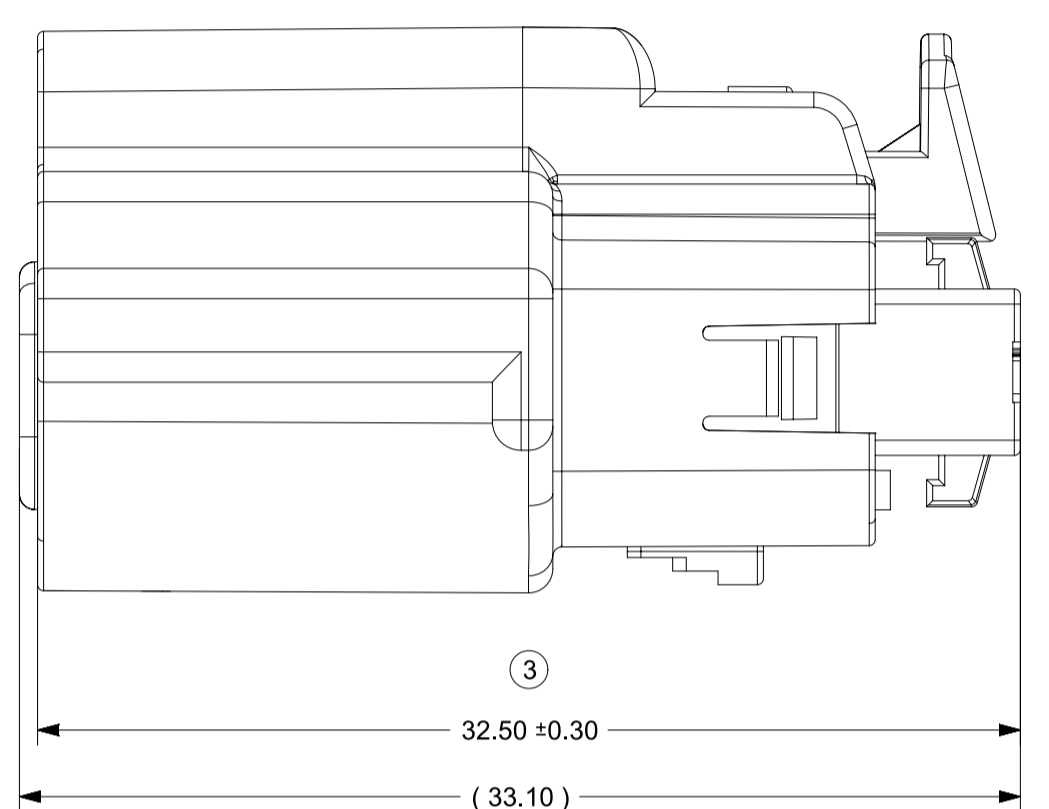
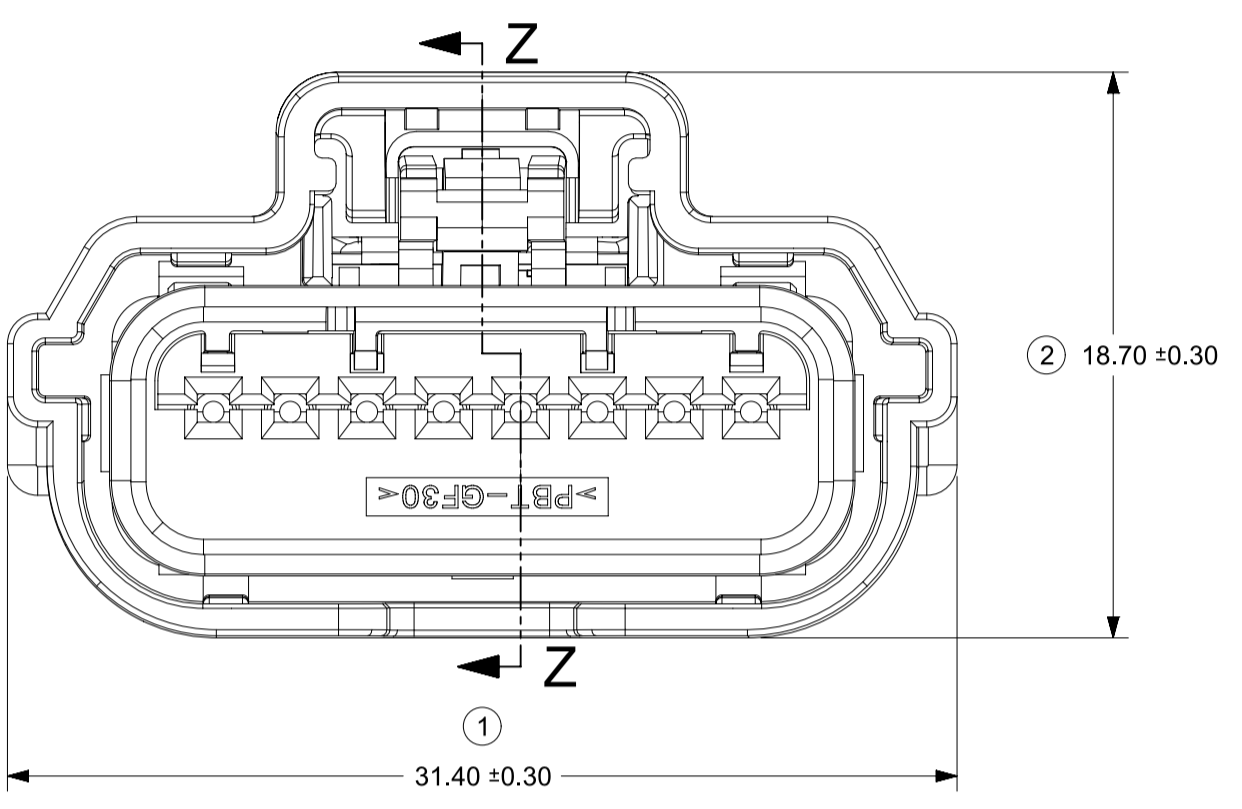
SHEET DESCRIPTION
KEY CONFIGURATIONS



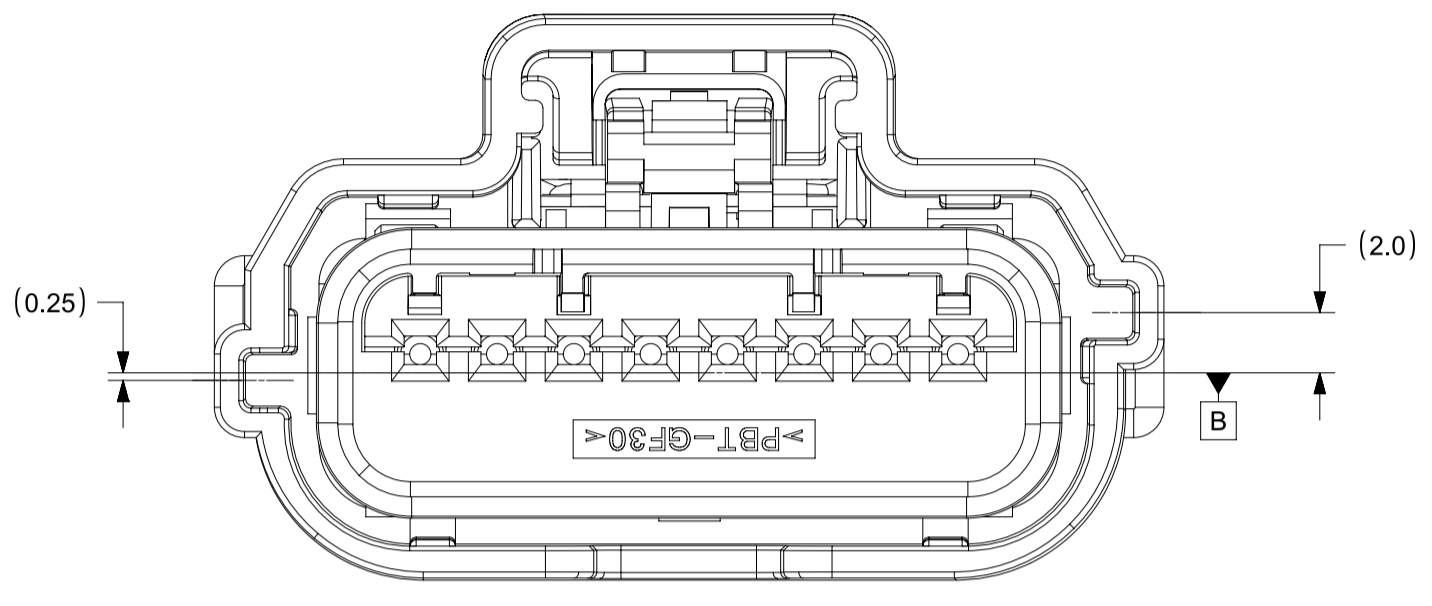
SECTION Z-Z  
TPA SHOWN IN AS-SHIPED  
PRE-SET POSITION  
SEE NOTE 1-a



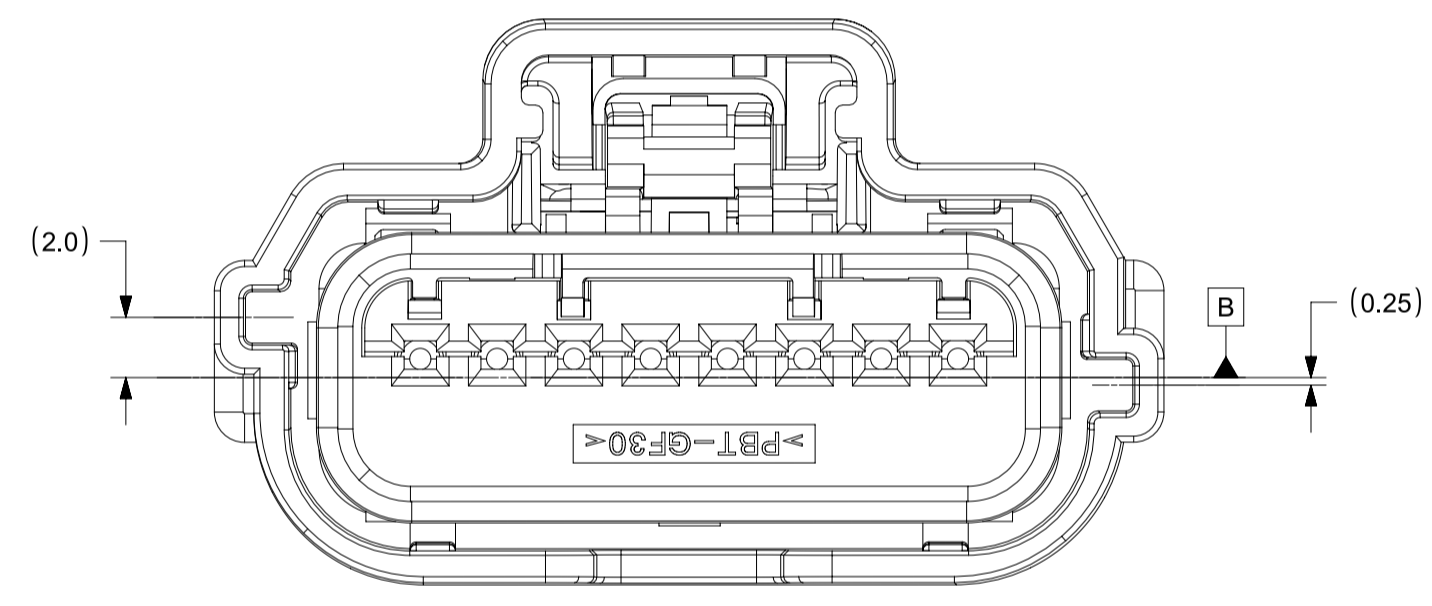
SECTION Y-Y  
TPA SHOWN IN FINAL  
LOCK POSITION POSITION  
SEE NOTE 1-a



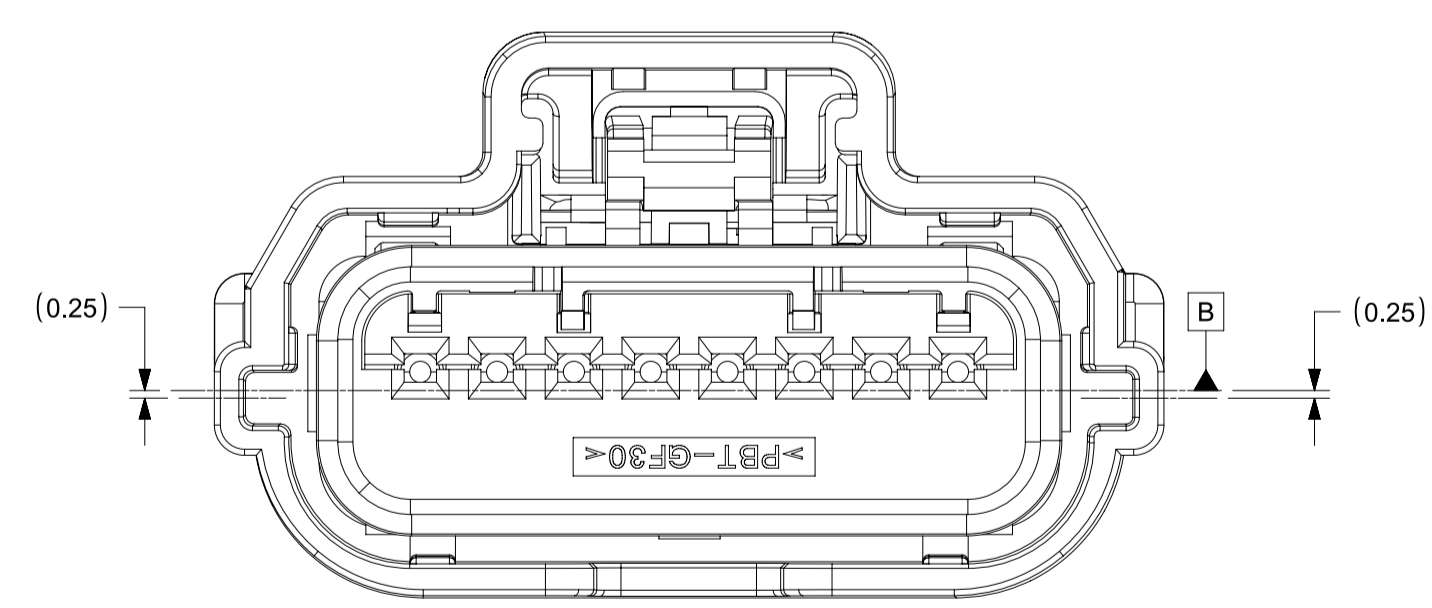
POLARIZATION A



POLARIZATION B



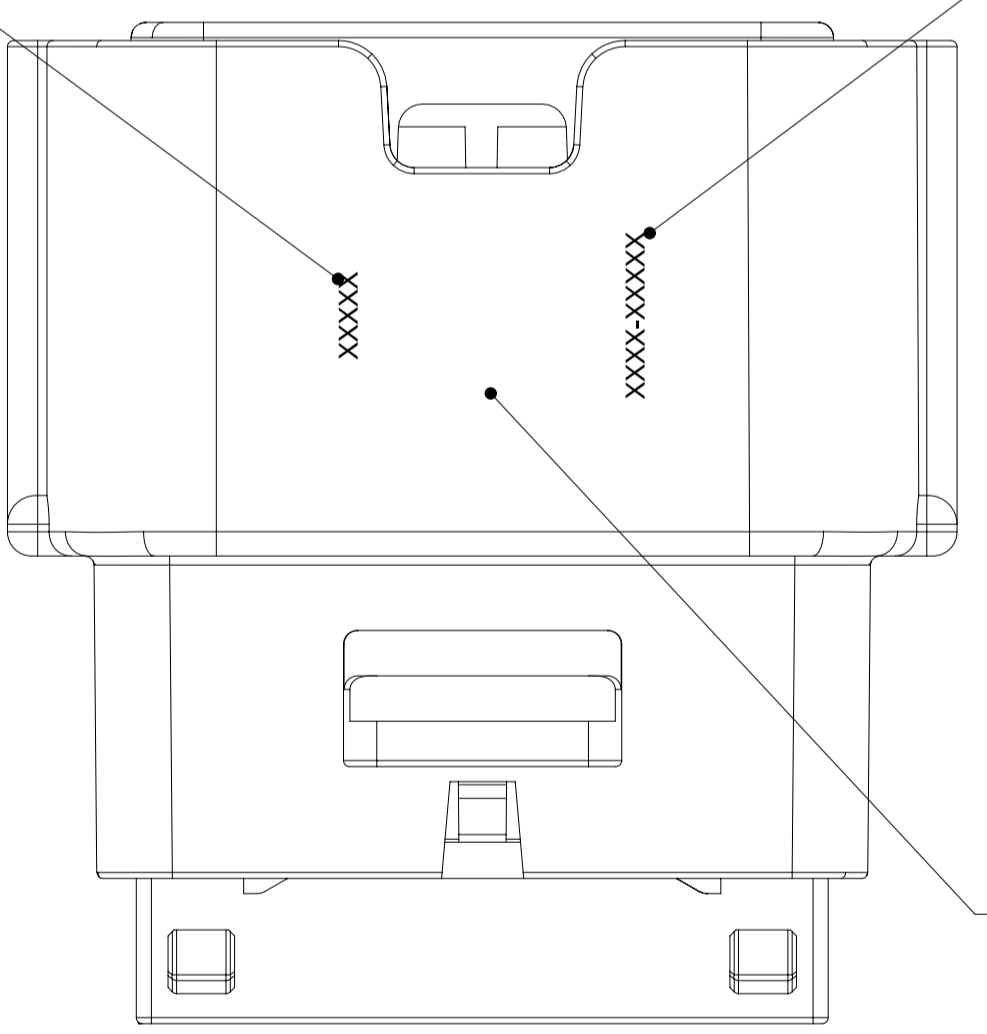
POLARIZATION C



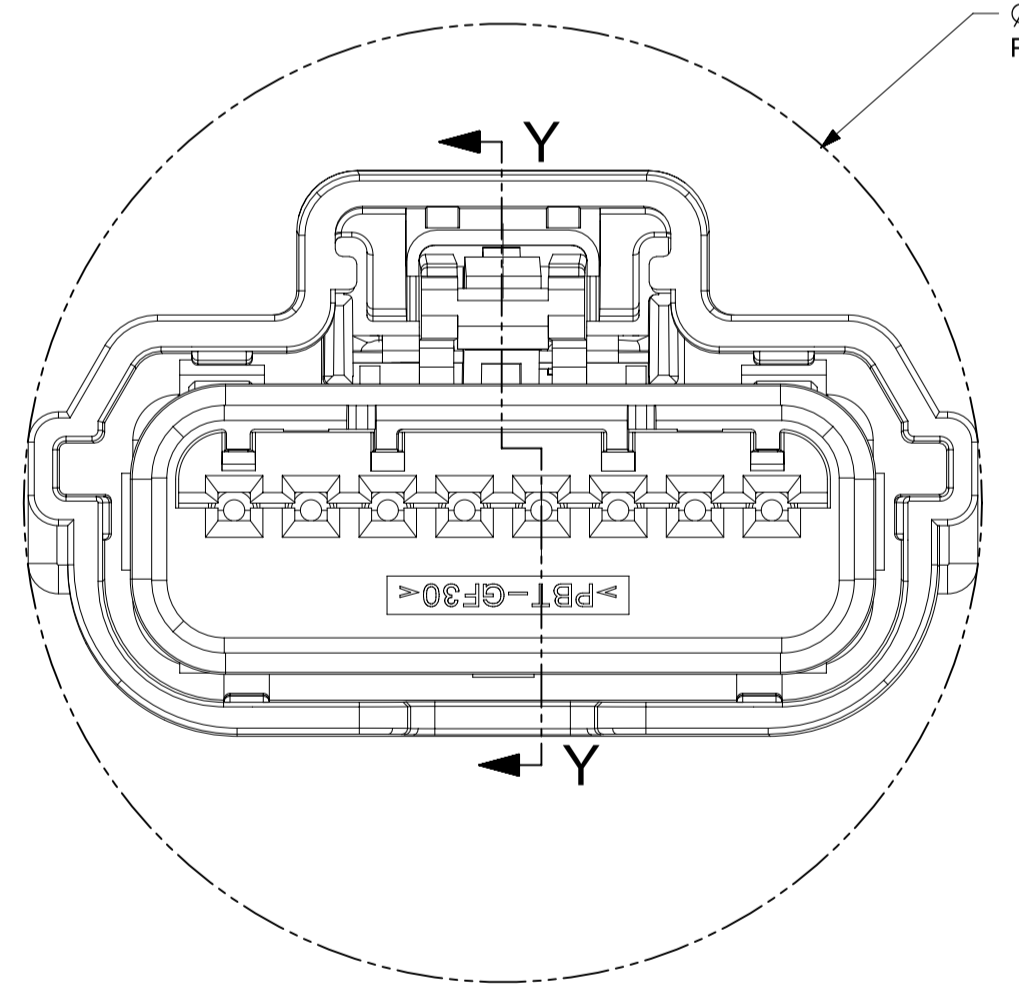
POLARIZATION D

DATE CODE  
SEE NOTE 3-b

MOLEX P/N



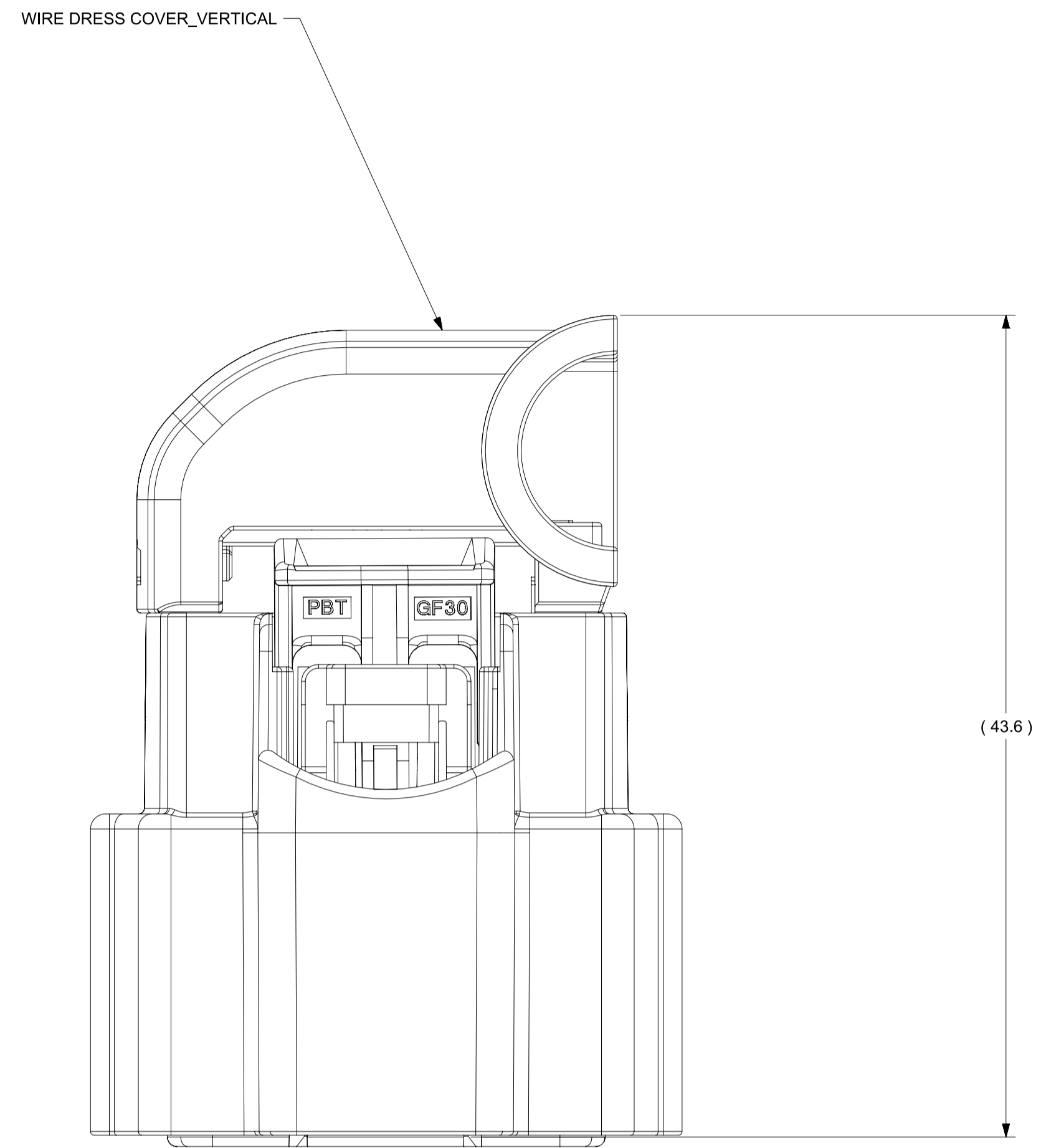
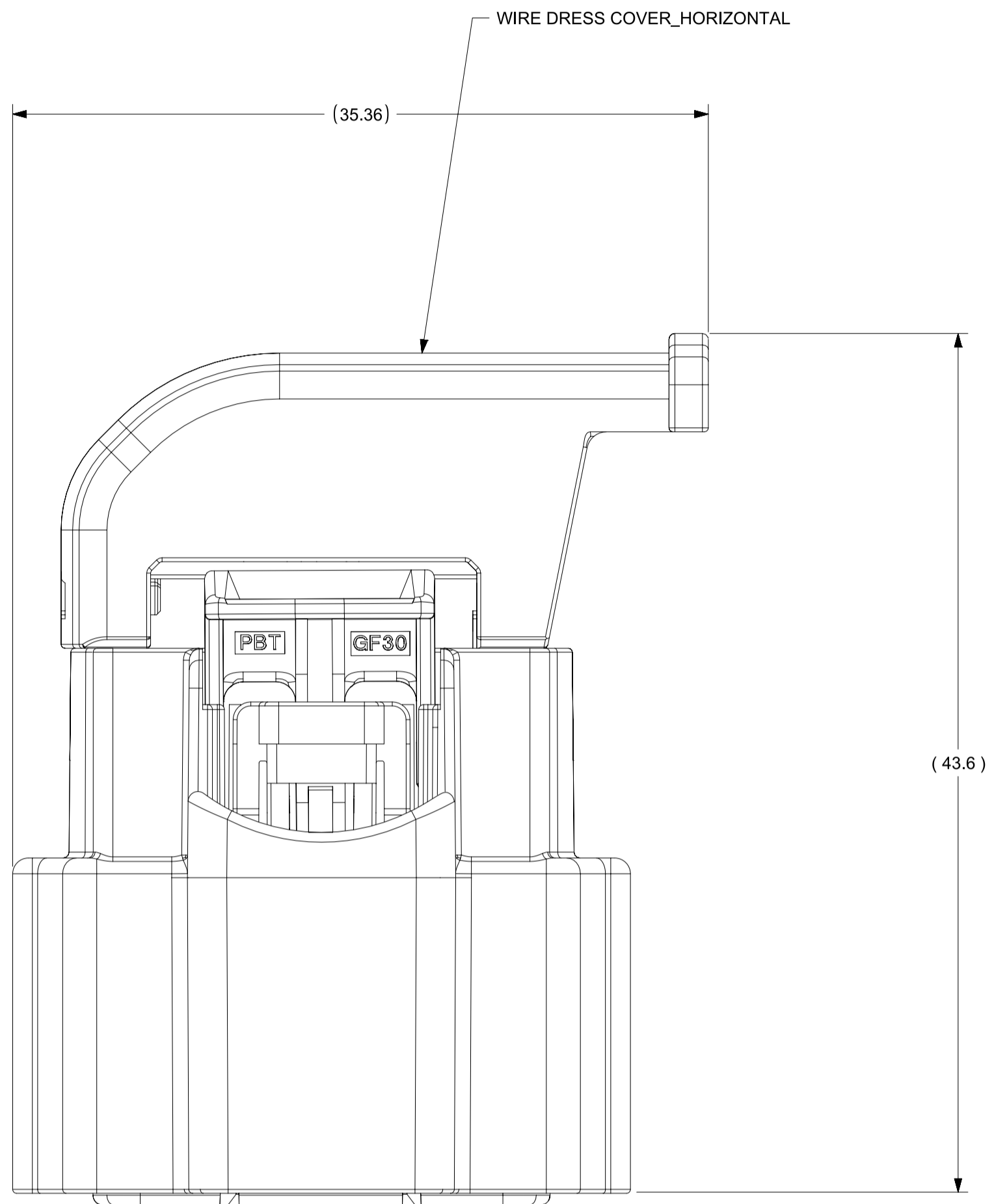
LASER MARKING APPLIED  
TO THIS SURFACE



4  
Ø31.90 MIN.  
PASS THRU. DIA.

SYMBOLS	THIS DRAWING CONTAINS INFORMATION THAT IS PROPRIETARY TO MOLEX ELECTRONIC TECHNOLOGIES, LLC AND SHOULD NOT BE USED WITHOUT WRITTEN PERMISSION		CURRENT REV DESC:		<b>molex</b>
	DIMENSION UNITS	SCALE			
▽ = 0	mm	4:1			USCAR 0.64MM 8 WAY ADD NEW P/N: 314049184/9194
▽ = 0	GENERAL TOLERANCES (UNLESS SPECIFIED)				
▽ = 0	ANGULAR TOL ± 0.5°		EC NO: CO-000000853		PRODUCT SALES DRAWING
▽ = 0	4 PLACES	± 0	DRWN: Yan Allen	15-Apr-2022	
▽ = 0	3 PLACES	± 0	CHK'D: Fiona Chen	15-Apr-2022	DOCUMENT NUMBER
▽ = 0	2 PLACES	± 0	APPR: Colin Zhang	20-Apr-2022	
▽ = 0	1 PLACE	± 0	INITIAL REVISION:		DOC TYPE   DOC PART   REVISION
▽ = 0	0 PLACES	± 0	DRWN: Yan Allen	14-Feb-2022	PSD   001   G12
▽ = 0	DRAFT WHERE APPLICABLE MUST REMAIN WITHIN DIMENSIONS		APPR: David Xie	24-Feb-2022	MATERIAL NUMBER
THIRD ANGLE PROJECTION	DRAWING	SERIES	GENERAL MARKET		SHEET NUMBER
⊕	A1-SIZE	31404			3 OF 4

SHEET DESCRIPTION
WIRE DRESS COVER ASSEMBLY



SYMBOLS	THIS DRAWING CONTAINS INFORMATION THAT IS PROPRIETARY TO MOLEX ELECTRONIC TECHNOLOGIES, LLC AND SHOULD NOT BE USED WITHOUT WRITTEN PERMISSION		
	DIMENSION UNITS	SCALE	CURRENT REV DESC:
▽ = 0	mm	4:1	<b>molex</b> USCAR 0.64MM 8 WAY ADD NEW P/N: 314049184/9194 PRODUCT SALES DRAWING
▽ = 0	GENERAL TOLERANCES (UNLESS SPECIFIED)		
▽ = 0	ANGULAR TOL ± 0.5°		
▽ = 0	4 PLACES ± 0	EC NO: CO-000000853	
▽ = 0	3 PLACES ± 0	DRWN: Yan Allen 15-Apr-2022	
▽ = 0	2 PLACES ± 0	CHK'D: Fiona Chen 15-Apr-2022	
▽ = 0	1 PLACE ± 0	APPR: Colin Zhang 20-Apr-2022	
▽ = 0	0 PLACES ± 0	INITIAL REVISION:	
☒ = 0	1 PLACE ± 0	DRWN: Yan Allen 14-Feb-2022	
☒ = 0	0 PLACES ± 0	APPR: David Xie 24-Feb-2022	
■ = 0	DRAFT WHERE APPLICABLE MUST REMAIN WITHIN DIMENSIONS	THIRD ANGLE PROJECTION	DOCUMENT NUMBER
▽ = 0			SD-31404-811
		DRAWING	DOC TYPE
		A1-SIZE	PSD
		SERIES	DOC PART
		31404	001
			REVISION
			G12
		MATERIAL NUMBER	CUSTOMER
			GENERAL MARKET
			SHEET NUMBER
			4 OF 4

DOCUMENT STATUS	Approved	RELEASE DATE	20-Apr-2022 01:31:59
-----------------	----------	--------------	----------------------