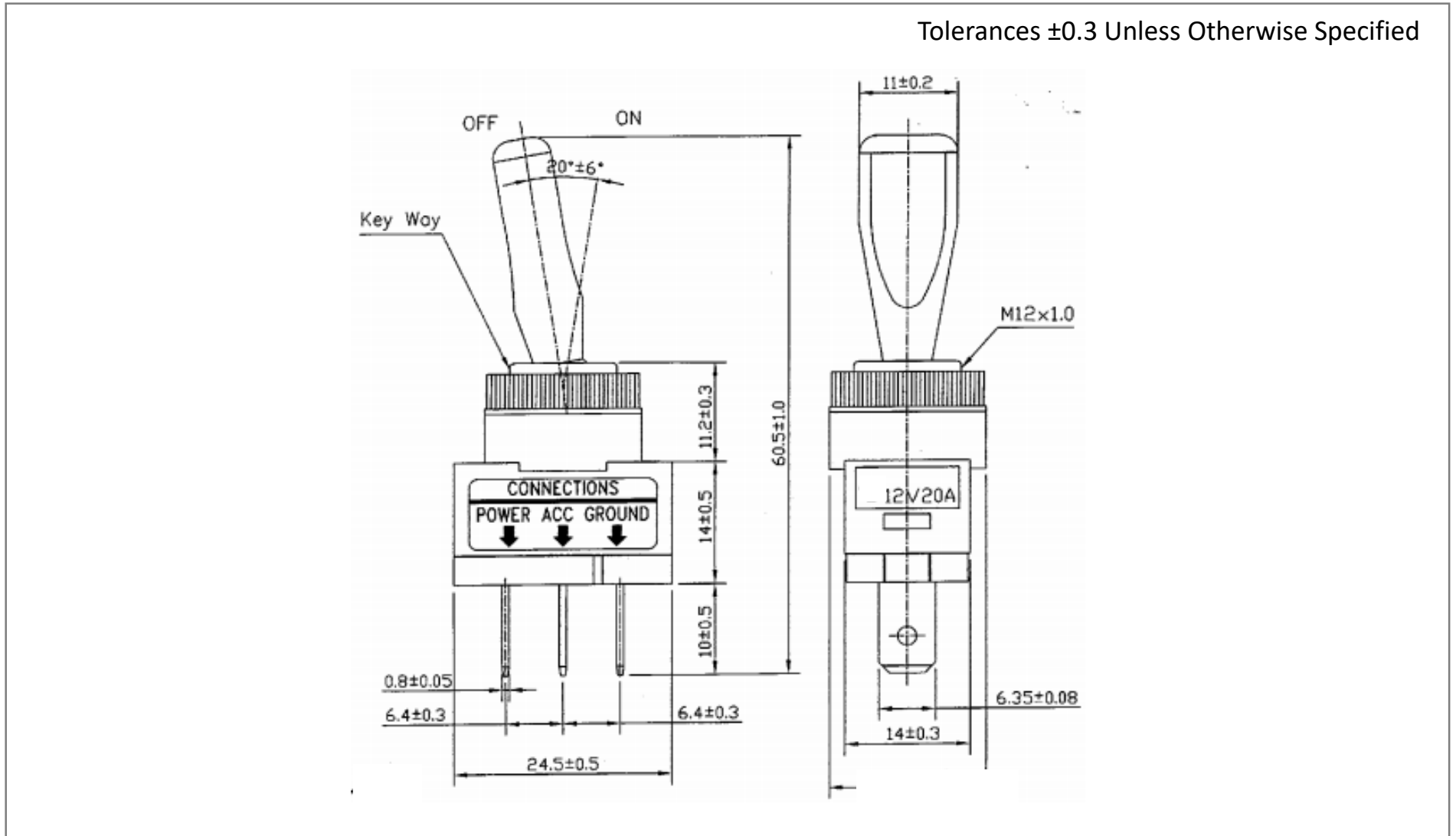
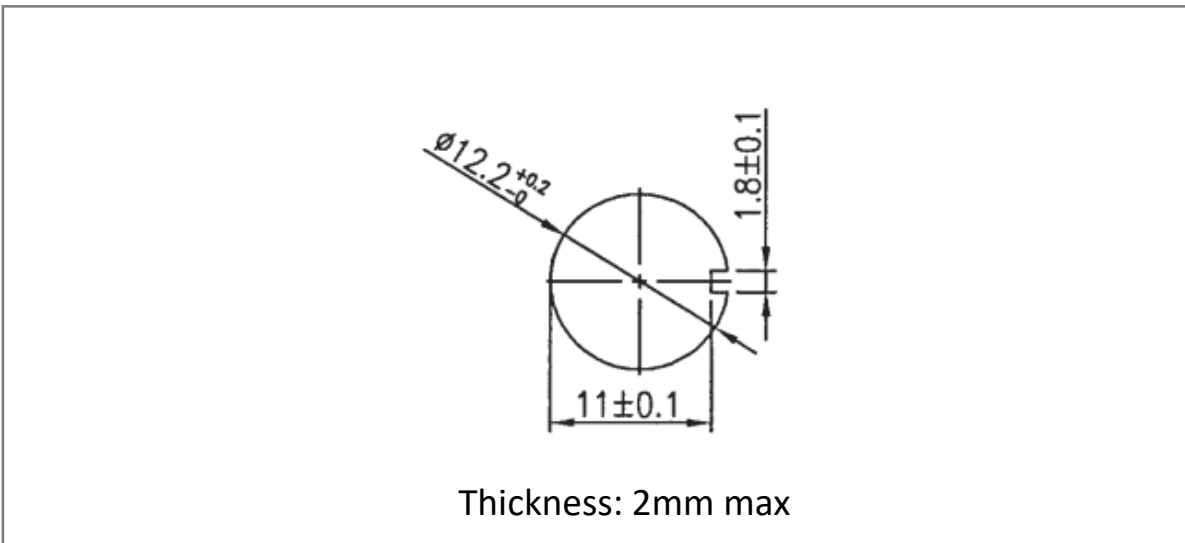


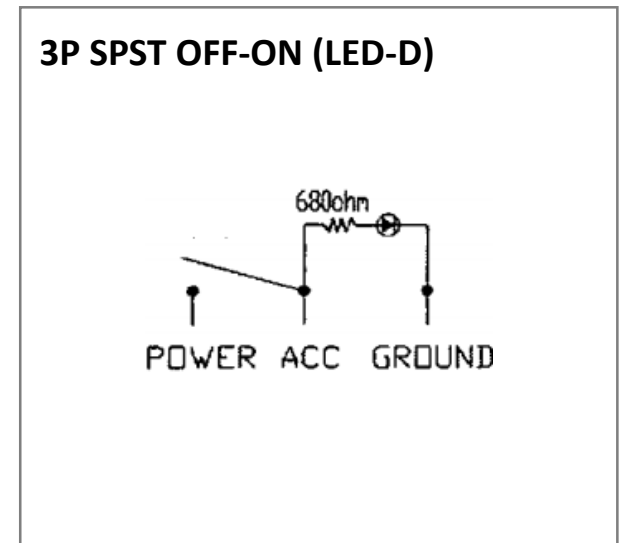
**Mechanical Dimensions (mm)**



**Mounting Hole**



**Circuit Diagram**



**Electrical Specifications**

|                       |                       |
|-----------------------|-----------------------|
| Rating                | 20A 12V DC            |
| Contact Resistance    | 50m ohm Max.          |
| Insulation Resistance | DC 500V 100M ohm Min. |
| Dielectric Strength   | AC 1500V 1 minute     |

**Material Specifications**

|              |                   |
|--------------|-------------------|
| Handle color | Black             |
| LED          | Green (Dependent) |