

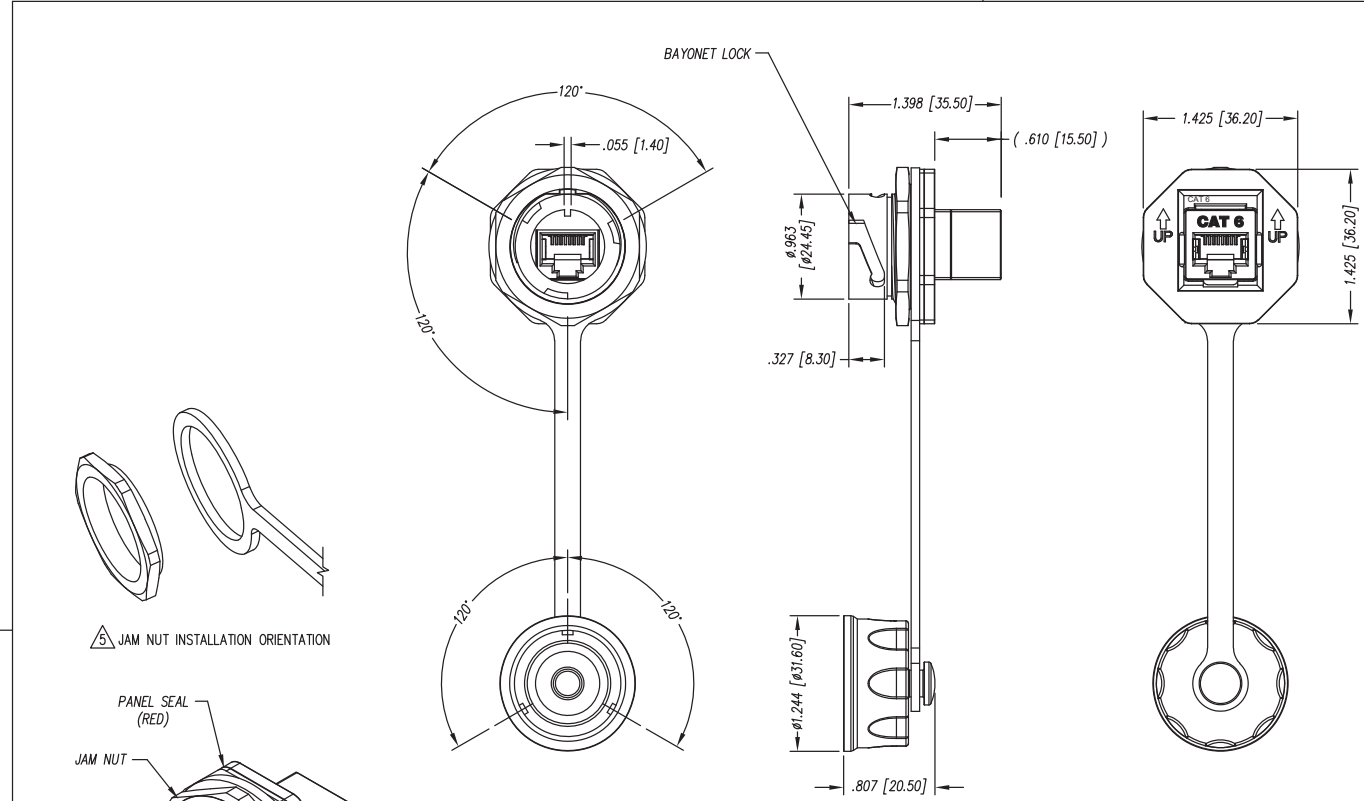
2

1

DATE	REV	ECN	APP'D. BY
9/2/22	AO	12037	JE

B

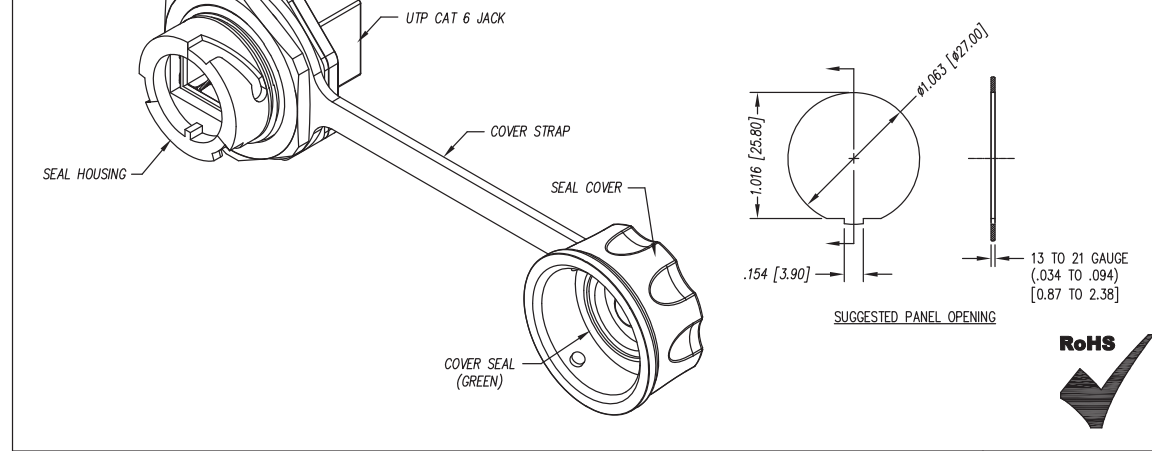
B



- NOTES:
- CONNECTOR MATERIALS:  
HOUSING: THERMOPLASTIC UL94 V-0  
CONTACTS: COPPER ALLOY  
CONTACT PLATING: SELECTIVE GOLD IN THE CONTACT AREA
  - JACK DIMENSIONS AND TOLERANCES COMPLY WITH TIA-1096 STANDARD.
  - DESIGNED FOR CATEGORY 6 APPLICATIONS.
  - INTERNATIONAL PROTECTION CODE MEETS IP67.
- ⚠ FOR INSTALLATION, PLACE RED PANEL SEAL ON REAR SIDE OF PANEL. IF USING THE COVER STRAP, ENSURE STRAP OPENING IS ENCLOSED BY THE FLANGE OF THE NUT, AND NOT PINCHED. TIGHTEN NUT TO 26 TO 44 INCH-POUNDS [3 TO 5 NEWTON-METERS].

A

A



50 MICRO-INCHES [1.27um]	SS-60400-032
CONTACT PLATING IN MATING AREA	PART NUMBER

THIRD ANGLE PROJECTION		11118 Susquehanna Trail South Glen Rock, PA 17327-9199 (717) 235-7512 <a href="http://www.stewartconnector.com">http://www.stewartconnector.com</a>
DO NOT SCALE DRAWING DRAWING IS SUBJECT TO CHANGE WITHOUT NOTICE		TITLE: INDUSTRIAL UNSHIELDED COUPLER JACK IP67 (UTP) CAT 6 WITH EXTERIOR JACK LATCH
DIMENSIONS: INCHES [METRIC] UNLESS OTHERWISE SPECIFIED TOLERANCES ARE ±.005 [0.13] ANGLES ARE ± 1°	THIS DRAWING AND THE SUBJECT MATTER SHOWN THEREON ARE CONFIDENTIAL AND THE PROPRIETARY PROPERTY OF STEWART CONNECTOR AND SHALL NOT BE REPRODUCED, COPIED, OR USED IN ANY MANNER WITHOUT PRIOR WRITTEN CONSENT OF STEWART CONNECTOR. ONE OR MORE U.S. PATENTS MAY APPLY TO THIS PRODUCT. FOR DETAILS, PLEASE VISIT: <a href="http://BELFUSE.COM/STEWART/STEWART_PATENTS/">HTTP://BELFUSE.COM/STEWART/STEWART_PATENTS/</a>	DRN BY: JMM DATE 9/2/22 APPD BY: JE DATE 9/2/22 DWG NO. CT600263 REV. AO
SHEET NO. 1 OF 1		

2

1

AutoCAD