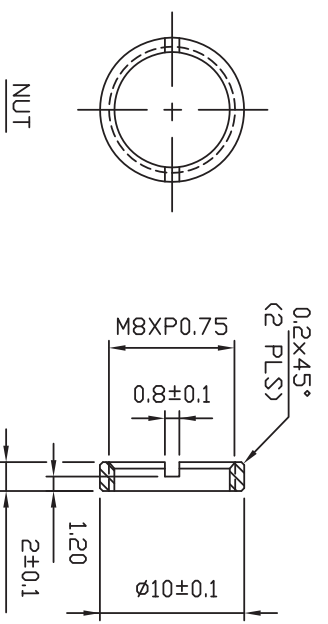
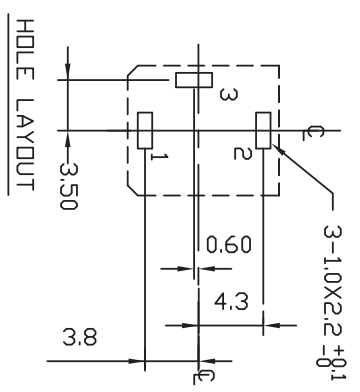
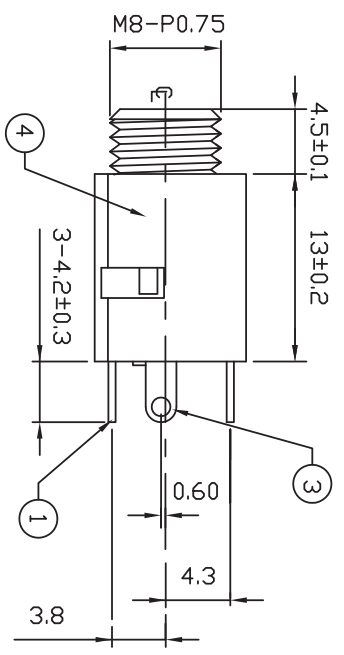
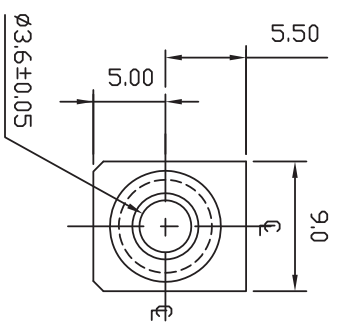
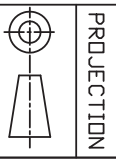


SPECIFICATIONS
 CONTACT RESISTANCE :30mΩ MAX.
 INSULATION RESISTANCE :100MΩ MIN. AT DC 500V
 DIELECTRIC WITHSTAND VOLTAGE :AC 500V FDR ONE MINUTE



NOTE:
 ALL DIMS ARE GIVEN IN MM.

4	HOUSING	PBT, 94V-0, 15% GF.	1	BLACK COLOR
3	TIP	PBS	1	SILVER PLATED
2	TIP SHUNT	BRASS	1	SILVER PLATED
1	SLEEVE	PBS	1	SILVER PLATED
ITEM	DESCRIPTION	MATERIAL	Q'TY	FINISH



RDI Research • Development • Innovation
 RDI, Inc. • 400 Columbus Avenue • Valhalla, NY 10595

SCALE	NONE	TITLE	ø3.5 PHONE JACK-ROHS COMPLIANT		
TOLERANCE	EXCEPT AS NOTED	DR	JDEY	DATE	5/22/01
DEC. INCHES	N/A	CK	SL	PRE-	DRAWING NO.
DEC. MILLIMETERS	±0.30	ANG.	±1°	REV.	C

05-498	10-18-05	C	CHANGED THE PART TO ROHS COMPLIANT			MS	JY	BY
03-177	2/28/03	B	PNI: RSJ-0352-2(LJ0352) WAS RSJ-0352-2, REV'D DWG PER EXISTING PARTS			BM	JY	AUTH
02-300	7/30/02	A	REVISED AS SHOWN SEE VOID COPY			BM	JY	
ECN#	DATE	SYM	REVISION RECORD					

THIS DOCUMENT IS OWNED BY AND THE INFORMATION CONTAINED IN IT IS PROPRIETARY TO RDI. BY RECEIPT HEREOF THE HOLDER AGREES NOT TO USE THE INFORMATION AND NOT TO DISCLOSE IT TO ANY THIRD PARTY, NOR REPRODUCE THIS DOCUMENT WITHOUT THE WRITTEN CONSENT OF RDI, AND AGREES TO RETURN THIS DOCUMENT UPON REQUEST.