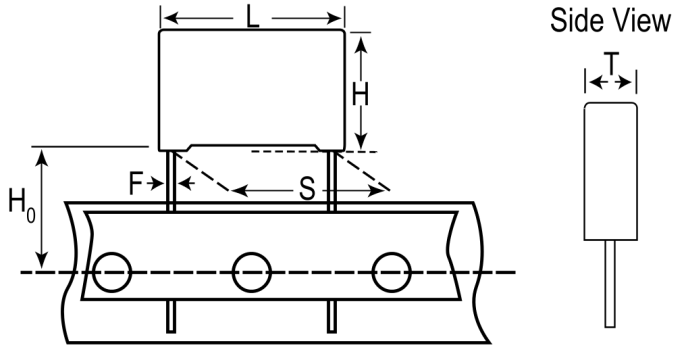


R73UN1680CK00J

Aliases (73UN1680CK00J)

R73, Film, Film/Foil Polypropylene, Automotive Grade, 6800 pF, 5%, 2000 VDC, 85°C, Lead Spacing = 22.5mm



Click [here](#) for the 3D model.

Dimensions

L	26.5mm +0.3/-0.5mm
H	17mm +0.1/-0.5mm
T	8.5mm +0.2/-0.5mm
S	22.5mm +0.6/-0.1mm
H ₀	18.5mm +/-0.5mm
F	0.8mm +/-0.05mm

Packaging Specifications

Packaging	T&R, Large
Packaging Quantity	450

General Information

Series	R73
Dielectric	Film/Foil Polypropylene
Style	Radial
Features	Automotive Grade, Pulse
RoHS	Yes
Lead	Wire Leads
Qualifications	AEC-Q200
AEC-Q200	Yes
Miscellaneous	Above 85C DC And AC Voltage Derating Is 1.25%/C.

Specifications

Capacitance	6800 pF
Capacitance Tolerance	5%
Voltage AC	500 VAC
Voltage DC	2000 VDC
Temperature Range	-55/+105°C
Rated Temperature	85°C
Dissipation Factor	0.03% 1kHz, 0.04% 10kHz, 0.1% 100kHz
Insulation Resistance	100 GOhms
Max dV/dt	11000 V/us
Inductance	18 nH