

# Amphenol Canada Corp - Product Change Notice (PCN)

PCN Date	March 20, 2020
Supplier Name:	Amphenol
Amphenol Canada PCN Number	PCN-C1465
Description of Change #1	Change the hex nut thickness from 3.0mm to 5.0mm as below picture show. 
Reason for Change #1	Increase the nut thickness in order to improve the tightening torque capability.
Description of Change #2	Product appearance as below picture show. 
Summary of changes between new and old part	Product appearance has changed, The appearance of the hex nut is different between new and old parts
Traceability guidelines (lot code / date code, markings, ship date...)	Date code 2012 (Year 2020, Week 12)
Last Time Buy Date	Not Applicable
Datasheet attached & Filename(s)	P-MRD-AH02-L13-000-REVC, P-MRD-AH04-L13-000-REVC P-MRD-AH05-L13-000-REVB, P-MRD-AH06-L13-000-REVC P-MRD-AH07-L13-000-REVB, P-MRD-AH08-L13-000-REVB P-MRD-AX03-L13-000-REVF
Qual Test data attached? & Filename(s)	See attached updated drawings

Customer Part Number	Amphenol Old Part Number	Amphenol New Part Number	PCN Effectivity Date	Samples Availability Date	Last Time Buy Date	Expected Supplier Qual Date
	MRD-AH02-L13-000	No change	20-Mar-20	20-Mar-20	N/A	
	MRD-AH04-L13-000					
	MRD-AH05-L13-000					
	MRD-AH06-L13-000					
	MRD-AH07-L13-000					
	MRD-AH08-L13-000					
	MRD-AH03-L13-000					
	MRD-AJ03-L13-000					

REVISIONS			
REV	DESCRIPTION, ECN, EAR NO.	DATE	APP'D
A	PROPOSAL DRAWING (EAR 14666)	JUN27/18	A.G.
B	UPDATE DRAWING FORMAT	NOV18/19	A.G.
C	MODIFY THE NUT THICKNESS TO 5mm	FEB27/20	A.G.

**ORDERING CODE: MRD - AH02 - L13 - 000**

SERIES \_\_\_\_\_

CONTACT SIZE & MECHANISM  
A=12.0MM WITH LATCH LOCK

HOUSING ORIENTATION & CONTACT TYPE  
H=FEMALE PLASTIC HOUSING & SOCKET CONTACT

NUMBER OF CONTACT  
02=TWO CONTACTS

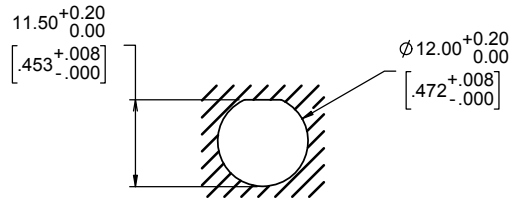
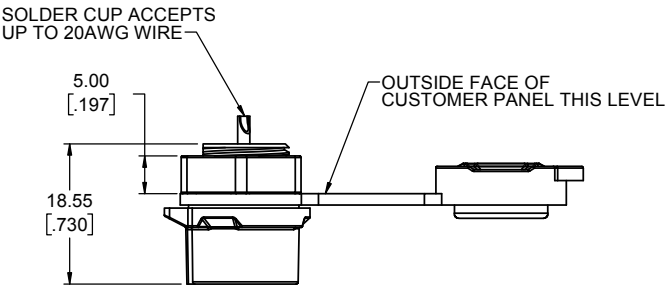
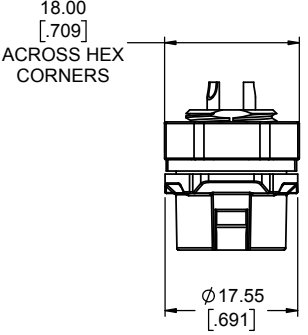
SPECIALS  
000=STANDARD

MOUNTING & COVER OPTION  
3= PANEL MOUNT WITH DUST COVER

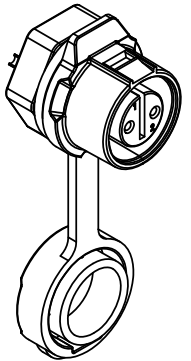
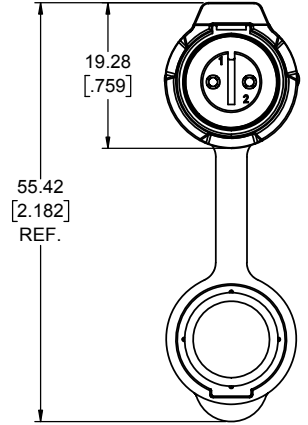
CONTACT TERMINATION TYPE  
L1=SOLDER CUP

**NOTES:**

- ALL MATERIALS TO BE RoHS COMPLIANT PER EU DIRECTIVE 2011/65/EU AND AMENDMENTS.
- HOUSING & HEX NUT: THERMOPLASTIC PBT, UL FLAMMABILITY RATING 94V-0, BLACK
- CONTACT: COPPER ALLOY PLATED WITH GOLD FLASH OVER NICKEL
- DUST CAP: SILICONE RUBBER, BLACK
- ELECTRICAL CHARACTERISTICS:  
CURRENT RATING: 5A  
OPERATING VOLTAGE: 125V AC MAXIMUM  
DIELECTRIC WITHSTANDING VOLTAGE: 1500V DC  
CONTACT RESISTANCE: 10.0mΩ MAXIMUM.
- RECOMMENDED PANEL THICKNESS:  
2.5 TO 3.0mm (.098 TO .118")
- ENVIRONMENT PROTECTION: IP67 PER IEC 60529



**RECOMMEND PANEL HOLE**



UNLESS SPECIFIED OTHERWISE	DRAWN	K.XIONG	JUN25/18
PRIMARY UNITS MILLIMETERS	CHECKED	K.LAMBIE	JUN27/18
SECONDARY INCHES	M.E. APP'D		
REFERENCE IN PARENTHESES	Q.A. APP'D		
GENERAL TOLERANCES	DWG APPR.	A.GREEN	JUN27/18
1 DECIMAL PLACE ±0.25	ENG. REL. NO.		
2 DECIMAL PLACES ±0.15	REF.	EAR 14666	
3 DECIMAL PLACES	THIRD ANGLE PROJECTION		
ANGULAR DEGREES	DO NOT SCALE DRAWING		

**Amphenol Canada Corp.**  
Commercial Products

MRD SERIES RUGGED CONNECTOR, FEMALE,  
2 SOCKET CONTACTS, LATCH LOCK PANEL  
MOUNT WITH DUST COVER IP67 RATING,  
RoHS COMPLIANT

DWG. NO. **P-MRD-AH02-L13-000** REV **C**

CODE ID NO. 03554 DWG SIZE: X SCALE: 2:1 SHEET 1 OF 1

REVISIONS			
REV	DESCRIPTION, ECN, EAR NO.	DATE	APP'D
A	PROPOSAL DRAWING (EAR 14666)	JUN27/18	A.G.
B	UPDATE DRAWING FORMAT	NOV18/19	A.G.
C	MODIFY THE NUT THICKNESS TO 5mm	FEB27/20	A.G.

**ORDERING CODE: MRD - AH04 - L13 - 000**

SERIES \_\_\_\_\_

CONTACT SIZE & MECHANISM  
A=12.0MM WITH LATCH LOCK

HOUSING ORIENTATION & CONTACT TYPE  
H=FEMALE PLASTIC HOUSING & SOCKET CONTACT

NUMBER OF CONTACT  
04=FOUR CONTACTS

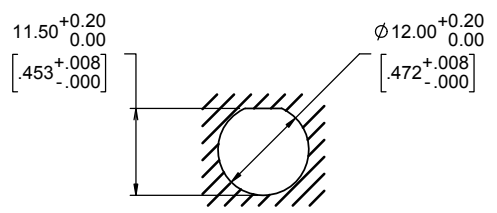
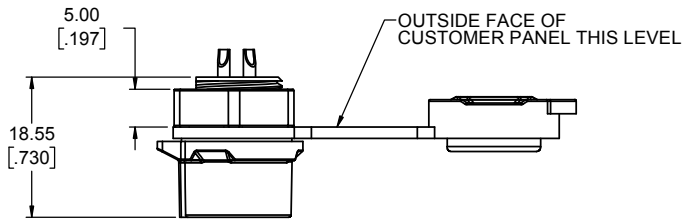
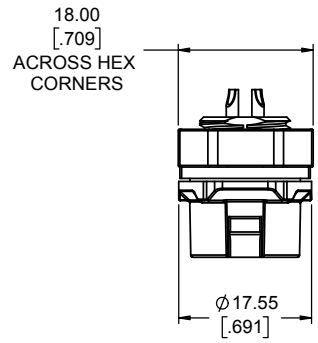
SPECIALS  
000=STANDARD

MOUNTING & COVER OPTION  
3= PANEL MOUNT WITH DUST COVER

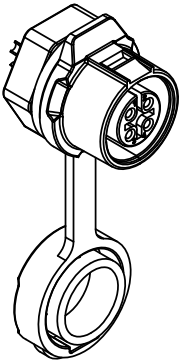
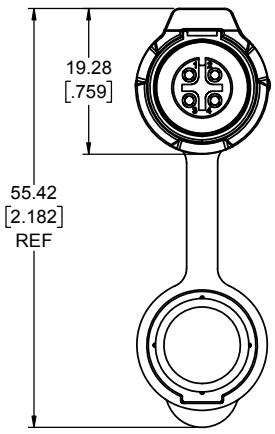
CONTACT TERMINATION TYPE  
L1=SOLDER CUP

**NOTES:**

- ALL MATERIALS TO BE RoHS COMPLIANT PER EU DIRECTIVE 2011/65/EU AND AMENDMENTS.
  - HOUSING & HEX NUT: THERMOPLASTIC PBT, UL FLAMMABILITY RATING 94V-0, BLACK
  - CONTACT: COPPER ALLOY PLATED WITH GOLD FLASH OVER NICKEL
  - DUST CAP: SILICONE RUBBER, BLACK
- ELECTRICAL CHARACTERISTICS:  
CURRENT RATING: 5A  
OPERATING VOLTAGE: 125V AC MAXIMUM  
DIELECTRIC WITHSTANDING VOLTAGE: 1500V DC  
CONTACT RESISTANCE: 10.0mΩ MAXIMUM.
- RECOMMENDED PANEL THICKNESS:  
2.5 TO 3.0mm (.098 TO .118")
- ENVIRONMENT PROTECTION: IP67 PER IEC 60529



**RECOMMEND PANEL HOLE**



THIS DOCUMENT CONTAINS PROPRIETARY INFORMATION AND SUCH INFORMATION MAY NOT BE DISCLOSED TO OTHERS FOR ANY PURPOSE OR USED FOR MANUFACTURING PURPOSES WITHOUT WRITTEN PERMISSION FROM AMPHENOL CANADA CORP.

UNLESS SPECIFIED OTHERWISE	DRAWN	K.XIONG	JUN25/18
PRIMARY UNITS MILLIMETERS	CHECKED	K.LAMBIE	JUN27/18
SECONDARY INCHES	M.E.	APP'D	
REFERENCE IN PARENTHESES	Q.A.	APP'D	
GENERAL TOLERANCES	DWG APPR.	A.GREEN	JUN27/18
1 DECIMAL PLACE ±0.25	ENG. REL. NO.		
2 DECIMAL PLACES ±0.15	REF.	EAR 14666	
3 DECIMAL PLACES	THIRD ANGLE PROJECTION		
ANGULAR DEGREES	DO NOT SCALE DRAWING		

**Amphenol Canada Corp.**  
Commercial Products

MRD SERIES RUGGED CONNECTOR, FEMALE,  
4 SOCKET CONTACTS, LATCH LOCK PANEL  
MOUNT WITH DUST COVER IP67 RATING,  
RoHS COMPLIANT

DWG. NO. **P-MRD-AH04-L13-000** REV **C**

CODE ID NO. 03554 DWG SIZE: X SCALE: 2:1 SHEET 1 OF 1

REVISIONS			
REV	DESCRIPTION, ECN, EAR NO.	DATE	APP'D
A	PROPOSAL DRAWING	NOV18/19	A.G.
B	MODIFY THE NUT THICKNESS TO 5mm	FEB27/20	A.G.

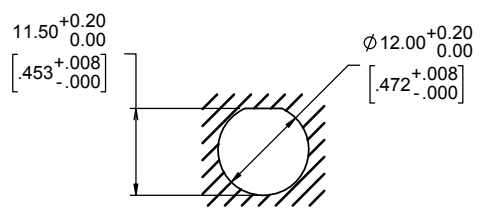
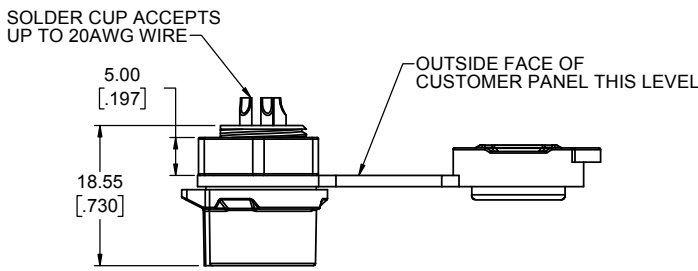
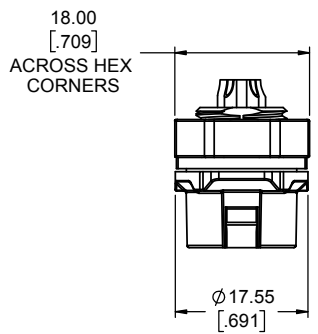
**ORDERING CODE: MRD - AH05 - L13 - 000**

**SERIES**  
**CONTACT SIZE & MECHANISM**  
 A=12.0MM WITH LATCH LOCK  
**HOUSING ORIENTATION & CONTACT TYPE**  
 H=FEMALE PLASTIC HOUSING & SOCKET CONTACT  
**NUMBER OF CONTACT**  
 05=FIVE CONTACTS

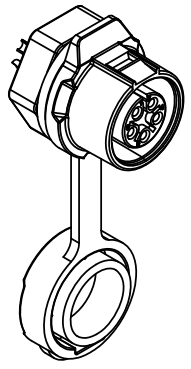
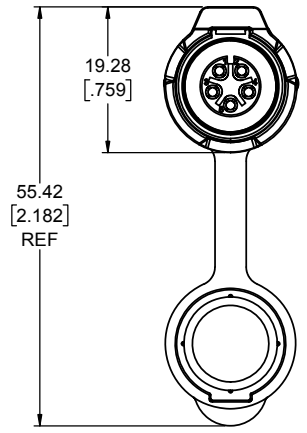
**SPECIALS**  
 000=STANDARD  
**MOUNTING & COVER OPTION**  
 3= PANEL MOUNT WITH DUST COVER  
**CONTACT TERMINATION TYPE**  
 L1=SOLDER CUP

**NOTES:**

- ALL MATERIALS TO BE RoHS COMPLIANT PER EU DIRECTIVE 2011/65/EU AND AMENDMENTS.
  - HOUSING & HEX NUT: THERMOPLASTIC PBT, UL FLAMMABILITY RATING 94V-0, BLACK
  - CONTACT: COPPER ALLOY PLATED WITH GOLD FLASH OVER NICKEL
  - DUST CAP: SILICONE RUBBER, BLACK
- ELECTRICAL CHARACTERISTICS:  
 CURRENT RATING: 5A  
 OPERATING VOLTAGE: 125V AC MAXIMUM  
 DIELECTRIC WITHSTANDING VOLTAGE: 1500V DC  
 CONTACT RESISTANCE: 10.0mΩ MAXIMUM.
- RECOMMENDED PANEL THICKNESS:  
 2.5 TO 3.0mm (.098 TO .118")
- ENVIRONMENT PROTECTION: IP67 PER IEC 60529



**RECOMMEND PANEL HOLE**



UNLESS SPECIFIED OTHERWISE	DRAWN F.WANG	OCT12/19
PRIMARY UNITS MILLIMETERS	CHECKED K.LAMBIE	NOV18/19
SECONDARY INCHES	M.E. APP'D	
REFERENCE IN PARENTHESES	Q.A. APP'D	
GENERAL TOLERANCES	DWG APPR. A.GREEN	NOV18/19
1 DECIMAL PLACE ±0.25	ENG. REL. NO.	
2 DECIMAL PLACES ±0.15	REF. EAR 14666	
3 DECIMAL PLACES		
ANGULAR DEGREES	THIRD ANGLE PROJECTION	DO NOT SCALE DRAWING

**Amphenol Canada Corp.**  
 Commercial Products

MRD SERIES RUGGED CONNECTOR, FEMALE,  
 5 SOCKET CONTACTS, LATCH LOCK PANEL  
 MOUNT WITH DUST COVER IP67 RATING,  
 RoHS COMPLIANT

DWG. NO. **P-MRD-AH05-L13-000** REV **B**

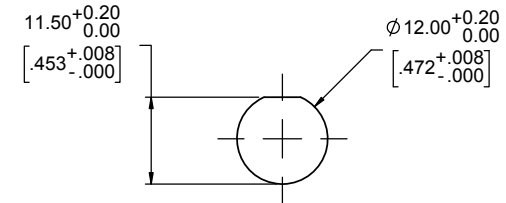
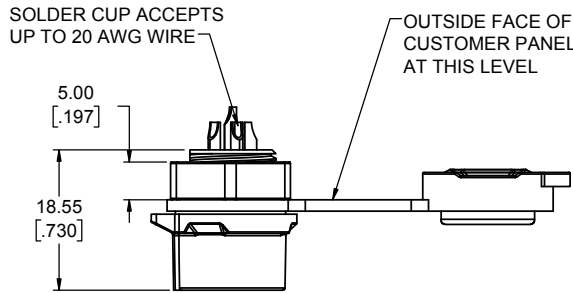
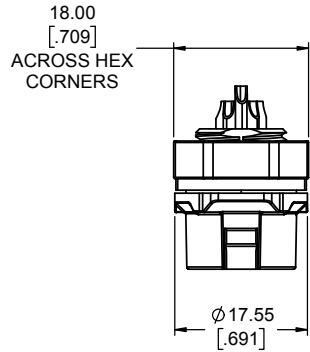
CODE ID NO. 03554 | DWG SIZE: X | SCALE: 2:1 | SHEET 1 OF 1

**ORDERING CODE: MRD-AH06-L13-000**

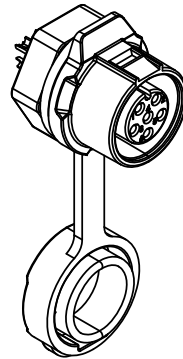
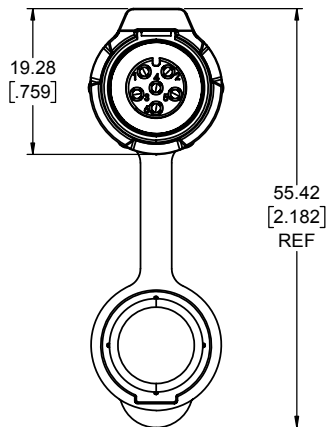
SERIES  
 CONTACT SIZE & MECHANISM  
 A=12mm WITH LATCH LOCK  
 HOUSING ORIENTATION & CONTACT TYPE  
 H=FEMALE PLASTIC HOUSING & SOCKET CONTACT  
 NUMBER OF CONTACTS  
 06 = SIX CONTACTS

SPECIALS  
 000=STANDARD  
 MOUNTING & COVER OPTION  
 3= PANEL MOUNT WITH DUST COVER  
 CONTACT TERMINATION TYPE  
 L1=SOLDER CUP

REVISIONS			
REV	DESCRIPTION, ECN, EAR NO.	DATE	APP'D
B	PROPOSAL DRAWING (EAR 14784)	NOV28/19	K.L.
C	MODIFY THE NUT THICKNESS TO 5mm	FEB27/20	A.G



RECOMMENDED PANEL CUTOUT



**NOTES:**

- ALL MATERIALS TO BE RoHS COMPLIANT PER EU DIRECTIVE 2011/65/EU AND AMENDMENTS.
  - HOUSING & HEX NUT: THERMOPLASTIC PBT, UL FLAMMABILITY RATING 94V-0, BLACK
  - CONTACT: COPPER ALLOY WITH GOLD FLASH OVER NICKEL
  - DUST CAP: SILICONE RUBBER, BLACK
- ELECTRICAL CHARACTERISTICS:
  - CURRENT RATING: 5A
  - OPERATING VOLTAGE: 125V AC MAXIMUM
  - DIELECTRIC WITHSTANDING VOLTAGE: 1500V DC
  - CONTACT RESISTANCE: 10.0mΩ MAXIMUM
- RECOMMENDED PANEL THICKNESS: 2.5 - 3.0mm (.098 - .118")
- ENVIRONMENT PROTECTION: IP67 PER IEC 60529

UNLESS SPECIFIED OTHERWISE	DRAWN	F.WANG	OCT12/19
PRIMARY UNITS MILLIMETERS	CHECKED	K.LAMBIE	NOV18/19
SECONDARY INCHES	M.E.	APP'D	
REFERENCE IN PARENTHESES	Q.A.	APP'D	
GENERAL TOLERANCES	DWG APPR.	A.GREEN	NOV18/19
1 DECIMAL PLACE	ENG. REL. NO.	EAR 14666	
2 DECIMAL PLACES ±0.25	REF.		
3 DECIMAL PLACES	THIRD ANGLE PROJECTION		
ANGULAR DEGREES	DO NOT SCALE DRAWING		

<b>Amphenol Canada Corp.</b> Commercial Products			
MRD SERIES RUGGED CONNECTOR, FEMALE, 6 SOCKET CONTACTS, LATCH LOCK, PANEL MOUNT WITH DUST COVER, IP67 RATING, RoHS COMPLIANT			
DWG. NO.	P-MRD-AH06-L13-000		REV C
CODE ID NO. 03554	DWG SIZE: X	SCALE: 2:1	SHEET 1 OF 1

**ORDERING CODE: M R D - A H 0 7 - L 1 3 - 0 0 0**

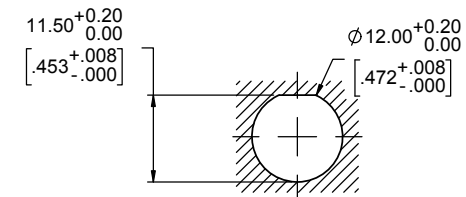
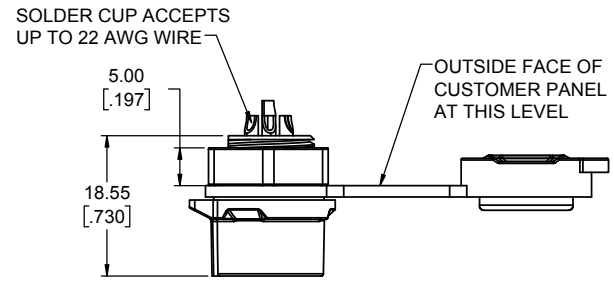
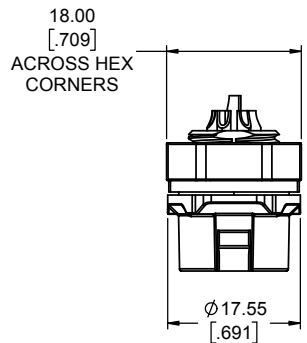
**SERIES**  
**CONTACT SIZE & MECHANISM**  
 A=12mm WITH LATCH LOCK  
**HOUSING ORIENTATION & CONTACT TYPE**  
 H=FEMALE PLASTIC HOUSING & SOCKET CONTACT  
**NUMBER OF CONTACT**  
 07=SEVEN CONTACTS

**SPECIALS**  
 000=STANDARD  
**MOUNTING & COVER OPTION**  
 3= PANEL MOUNT WITH DUST COVER  
**CONTACT TERMINATION TYPE**  
 L1=SOLDER CUP

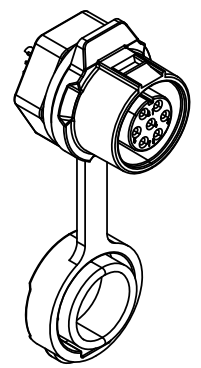
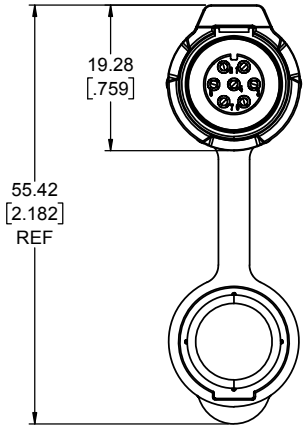
REVISIONS			
REV	DESCRIPTION, ECN, EAR NO.	DATE	APP'D
A	PROPOSAL DRAWING	NOV18/19	A.G.
B	MODIFY THE NUT THICKNESS TO 5mm	FEB27/20	A.G.

**NOTES:**

- ALL MATERIALS TO BE RoHS COMPLIANT PER EU DIRECTIVE 2011/65/EU AND AMENDMENTS.  
 • HOUSING & HEX NUT: THERMOPLASTIC PBT, UL FLAMMABILITY RATING 94V-0, BLACK  
 • CONTACT: COPPER ALLOY WITH GOLD FLASH OVER NICKEL  
 • DUST CAP: SILICONE RUBBER, BLACK
- ELECTRICAL CHARACTERISTICS:  
 CURRENT RATING: 3A  
 OPERATING VOLTAGE: 125V AC MAXIMUM  
 DIELECTRIC WITHSTANDING VOLTAGE: 1500V DC  
 CONTACT RESISTANCE: 10.0mΩ MAXIMUM
- RECOMMENDED PANEL THICKNESS: 2.5 TO 3.0mm (.098 TO .118")
- ENVIRONMENT PROTECTION: IP67 PER IEC 60529



**RECOMMENDED PANEL HOLE**



UNLESS SPECIFIED OTHERWISE	DRAWN	F.WANG	OCT18/19
PRIMARY UNITS MILLIMETERS	CHECKED	K.LAMBIE	NOV18/19
SECONDARY INCHES	M.E.	APP'D	
REFERENCE IN PARENTHESES	Q.A.	APP'D	
GENERAL TOLERANCES	DWG APPR.	A.GREEN	NOV18/19
1 DECIMAL PLACE ±0.25	ENG. REL. NO.		
2 DECIMAL PLACES ±0.15	REF.		
3 DECIMAL PLACES	THIRD ANGLE PROJECTION		
ANGULAR DEGREES	DO NOT SCALE DRAWING		

**Amphenol Canada Corp.**  
 Commercial Products

MRD SERIES RUGGED CONNECTOR, FEMALE, 7 SOCKET CONTACTS, LATCH LOCK, PANEL MOUNT WITH DUST COVER, IP67 RATING, RoHS COMPLIANT

DWG. NO. **P-MRD-AH07-L13-000** REV **B**

CODE ID NO. 03554 | DWG SIZE: X | SCALE: 2:1 | SHEET 1 OF 1

**ORDERING CODE: MRD - AH08 - L13 - 000**

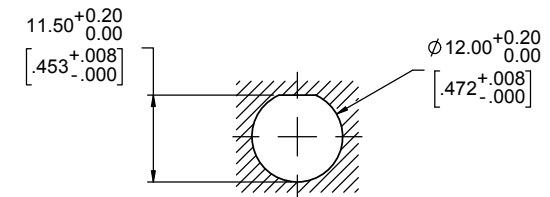
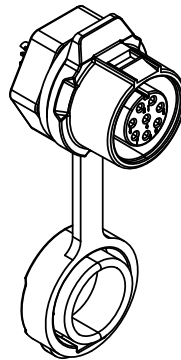
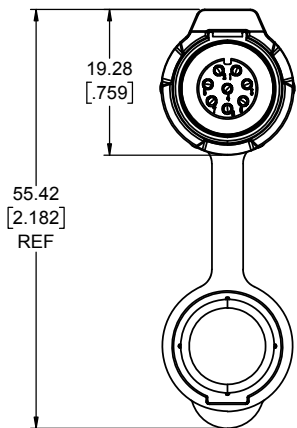
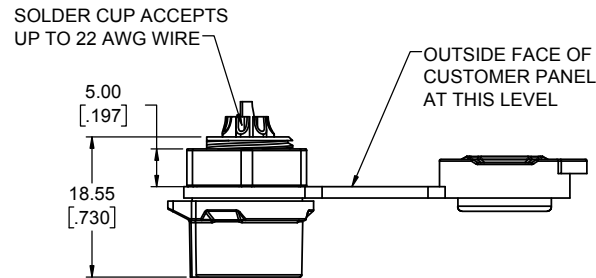
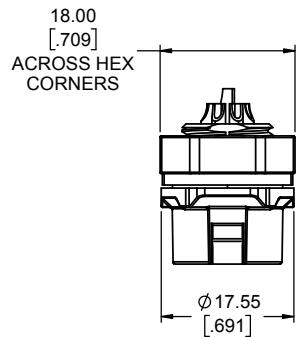
SERIES \_\_\_\_\_  
CONTACT SIZE & MECHANISM  
 A=12mm WITH LATCH LOCK  
HOUSING ORIENTATION & CONTACT TYPE  
 H=FEMALE PLASTIC HOUSING & SOCKET CONTACT  
NUMBER OF CONTACT  
 08=EIGHT CONTACTS

SPECIALS  
 000=STANDARD  
MOUNTING & COVER OPTION  
 3= PANEL MOUNT WITH DUST COVER  
CONTACT TERMINATION TYPE  
 L1=SOLDER CUP

REVISIONS			
REV	DESCRIPTION, ECN, EAR NO.	DATE	APP'D
A	PROPOSAL DRAWING(EAR 14666)	NOV18/19	A.G.
B	MODIFY THE NUT THICKNESS TO 5mm	FEB27/20	A.G.

**NOTES:**

- ALL MATERIALS TO BE RoHS COMPLIANT PER EU DIRECTIVE 2011/65/EU AND AMENDMENTS.  
 • HOUSING & HEX NUT: THERMOPLASTIC PBT, UL FLAMMABILITY RATING 94V-0, BLACK  
 • CONTACT: COPPER ALLOY WITH GOLD FLASH OVER NICKEL  
 • DUST CAP: SILICONE RUBBER, BLACK
- ELECTRICAL CHARACTERISTICS:  
 CURRENT RATING: 3A  
 OPERATING VOLTAGE: 125V AC MAXIMUM  
 DIELECTRIC WITHSTANDING VOLTAGE: 1500V DC  
 CONTACT RESISTANCE: 10.0mΩ MAXIMUM
- RECOMMENDED PANEL THICKNESS: 2.5 TO 3.0mm (.098 TO .118")
- ENVIRONMENT PROTECTION: IP67 PER IEC 60529



**RECOMMENDED PANEL HOLE**



UNLESS SPECIFIED OTHERWISE	DRAWN	F.WANG	OCT18/19
PRIMARY UNITS MILLIMETERS	CHECKED	K.LAMBIE	NOV18/19
SECONDARY INCHES	M.E.	APP'D	
REFERENCE IN PARENTHESES	Q.A.	APP'D	
GENERAL TOLERANCES	DWG APPR.	A.GREEN	NOV18/19
1 DECIMAL PLACE ±0.25	ENG. REL. NO.	EAR 14666	
2 DECIMAL PLACES ±0.15	REF.		
3 DECIMAL PLACES	THIRD ANGLE PROJECTION		DO NOT SCALE DRAWING
ANGULAR DEGREES			

<b>Amphenol Canada Corp.</b> Commercial Products			
MRD SERIES RUGGED CONNECTOR, FEMALE, 8 SOCKET CONTACTS, LATCH LOCK, PANEL MOUNT WITH DUST COVER, IP67 RATING, RoHS COMPLIANT			
DWG. NO.	P-MRD-AH08-L13-000		REV B
CODE ID NO. 03554	DWG SIZE: X	SCALE: 2:1	SHEET 1 OF 1



REVISIONS			
REV	DESCRIPTION, ECN, EAR NO.	DATE	APP'D
C	UPDATING PANEL HOLE SIZE	JUN27/18	A.G.
D	UPDATING SOLDER CUP SIZE	AUG01/18	A.G.
E	UPDATED DRAWING FORMAT	NOV18/19	A.G.
F	MODIFY THE NUT THICKNESS TO 5mm	MAR02/20	A.G.

**ORDERING CODE: MRD - A X 03 - L 13 - 000**

**SERIES** \_\_\_\_\_

**CONTACT SIZE & MECHANISM**  
A=12.0mm WITH LATCH LOCK

**HOUSING ORIENTATION & CONTACT TYPE**  
H=FEMALE PLASTIC HOUSING & SOCKET CONTACTS  
J=FEMALE PLASTIC HOUSING & PIN CONTACTS

**NUMBER OF CONTACT**  
03=THREE CONTACTS

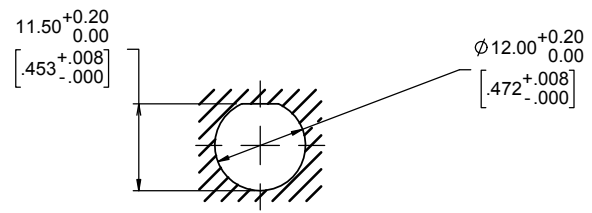
**SPECIALS**  
000=STANDARD

**MOUNTING & COVER OPTION**  
3= PANEL MOUNT WITH DUST COVER

**CONTACT TERMINATION TYPE**  
L1=SOLDER CUP

**NOTES:**

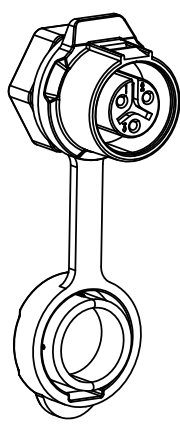
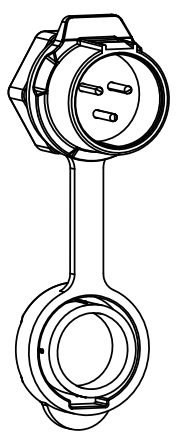
- ALL MATERIALS TO BE RoHS COMPLIANT PER EU DIRECTIVE 2011/65/EU AND AMENDMENTS.
  - HOUSING & NUT : THERMOPLASTIC PBT, UL FLAMMABILITY RATING 94V-0, BLACK
  - CONTACT: COPPER ALLOY PLATED WITH GOLD FLASH OVER NICKEL
  - DUST CAP: SILICONE RUBBER
- ELECTRICAL CHARACTERISTICS:  
CURRENT RATING: 5A  
OPERATING VOLTAGE: 125V AC MAXIMUM  
DIELECTRIC WITHSTANDING VOLTAGE: 1500V DC  
CONTACT RESISTANCE: 10.0mΩ MAXIMUM
- RECOMMENDED CABLE OUTSIDE DIAMETER:  
2.5 TO 3.0mm (.098 TO .118")
- ENVIRONMENT PROTECTION: IP67 PER IEC 60529



**FEMALE WITH THREE PIN CONTACTS**

**FEMALE WITH THREE SOCKET CONTACTS**

**RECOMMEND PANEL HOLE**



**PART NUMBER TABLE**

CONNECTOR PART NUMBER	CONTACT TYPE	WIRE GAUGE FOR SOLDER CUP
MRD-AH03-L13-000	SOCKET	24-20 AWG
MRD-AJ03-L13-000	PIN	24-20 AWG

SEE SHEET 2 FOR ADDITIONAL DRAWING VIEWS



UNLESS SPECIFIED OTHERWISE	DRAWN	K.XIONG	MAY09/18
PRIMARY UNITS MILLIMETERS	CHECKED	K.LAMBIE	MAY15/18
SECONDARY INCHES	M.E.	APP'D	
REFERENCE IN PARENTHESES	Q.A.	APP'D	
GENERAL TOLERANCES	DWG APPR.	A.GREEN	MAY15/18
1 DECIMAL PLACE ±0.25	ENG. REL. NO.		
2 DECIMAL PLACES ±0.15	REF.	EAR 14575	
3 DECIMAL PLACES	THIRD ANGLE PROJECTION		
ANGULAR DEGREES	DO NOT SCALE DRAWING		

**Amphenol Canada Corp.**  
Commercial Products

MRD SERIES RUGGED CONNECTOR, FEMALE  
3 POSITIONS, LATCH LOCK PANEL MOUNT  
WITH DUST COVER, IP67 RATING, RoHS  
COMPLIANT

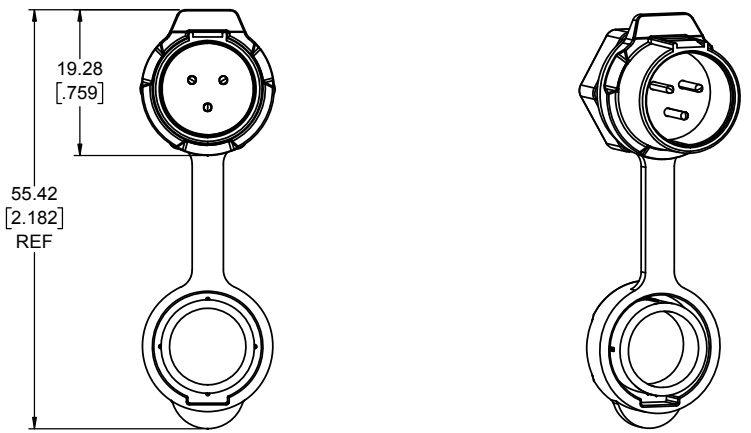
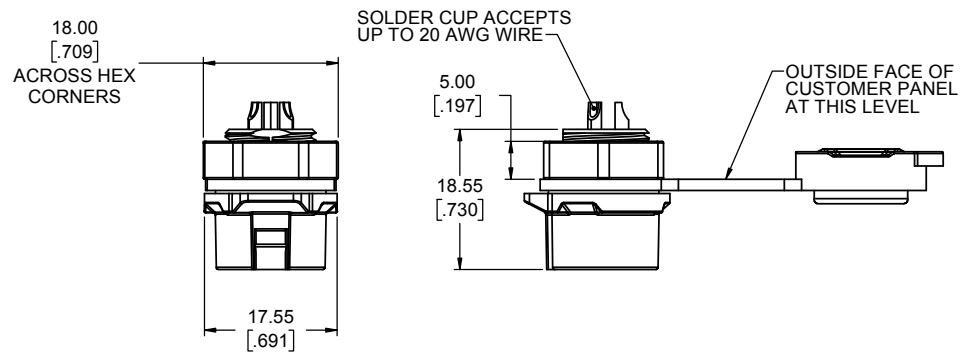
DWG. NO. **P-MRD-AX03-L13-000** REV **F**

CODE ID NO. 03554 | DWG SIZE: X | SCALE: 2:1 | SHEET 1 OF 2

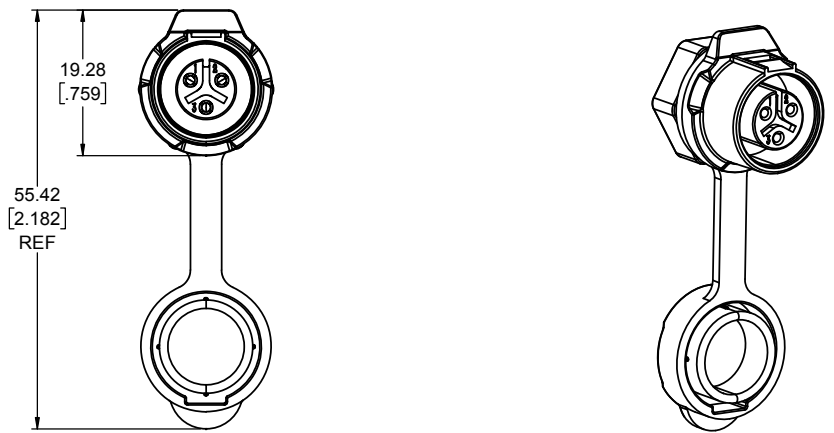
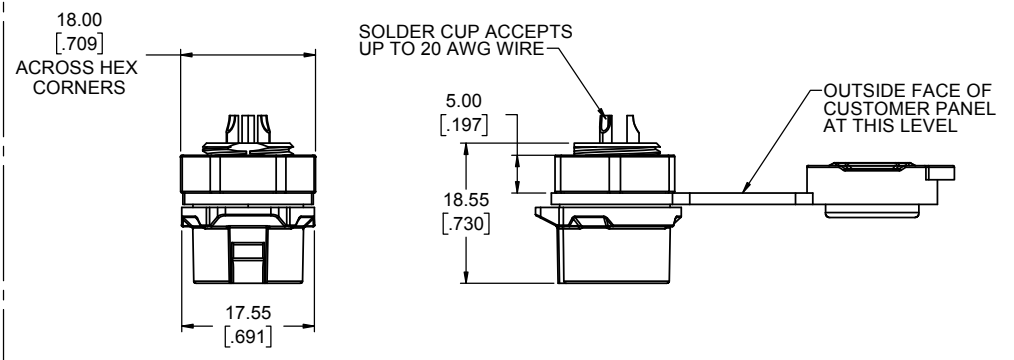


REVISIONS			
REV	DESCRIPTION, ECN, EAR NO.	DATE	APP'D
C	UPDATING PANEL HOLE SIZE	JUN27/18	A.G.
D	UPDATING SOLDER CUP SIZE	AUG01/18	A.G.
E	UPDATED DRAWING FORMAT	NOV18/19	A.G.
F	MODIFY THE NUT THICKNESS TO 5mm	MAR02/20	A.G.

**FEMALE WITH THREE PIN CONTACTS**



**FEMALE WITH THREE SOCKET CONTACTS**



UNLESS SPECIFIED OTHERWISE	DRAWN	K.XIONG	MAY09/18
PRIMARY UNITS MILLIMETERS	CHECKED	K.LAMBIE	MAY15/18
SECONDARY INCHES	M.E.	APP'D	
REFERENCE IN PARENTHESES	Q.A.	APP'D	
GENERAL TOLERANCES	DWG APPR.	A.GREEN	MAY18/18
1 DECIMAL PLACE ±0.25	ENG. REL. NO.		
2 DECIMAL PLACES ±0.15	REF.	EAR 14575	
3 DECIMAL PLACES	THIRD ANGLE PROJECTION		
ANGULAR DEGREES	DO NOT SCALE DRAWING		

**Amphenol Canada Corp.**  
Commercial Products

MRD SERIES RUGGED CONNECTOR, FEMALE  
3 POSITIONS, LATCH LOCK PANEL MOUNT  
WITH DUST COVER, IP67 RATING, RoHS  
COMPLIANT

DWG. NO. **P-MRD-AX03-L13-000** REV **F**

CODE ID NO. 03554 DWG SIZE: X SCALE: 2:1 SHEET 2 OF 2