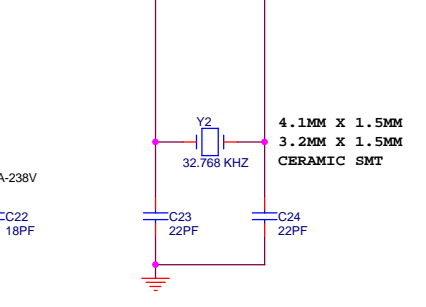
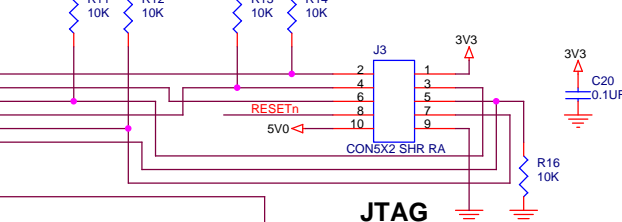
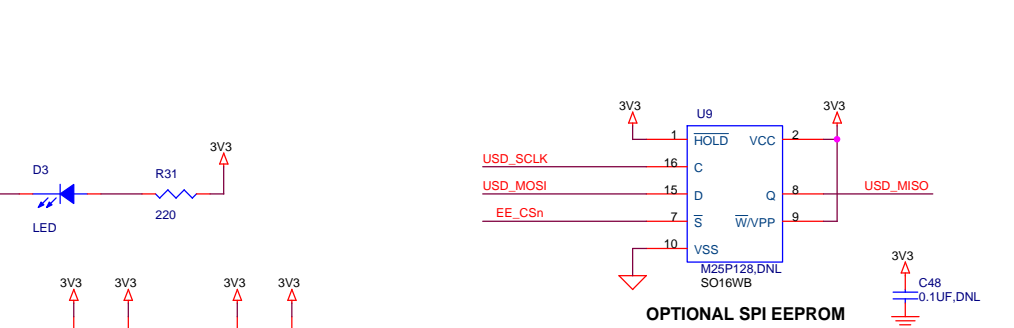
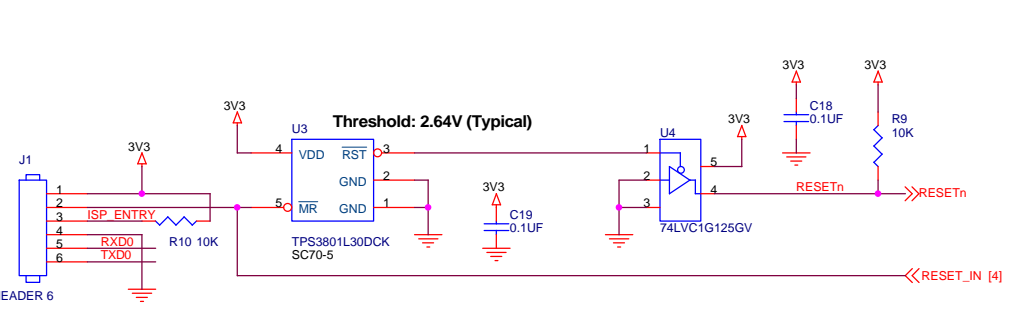
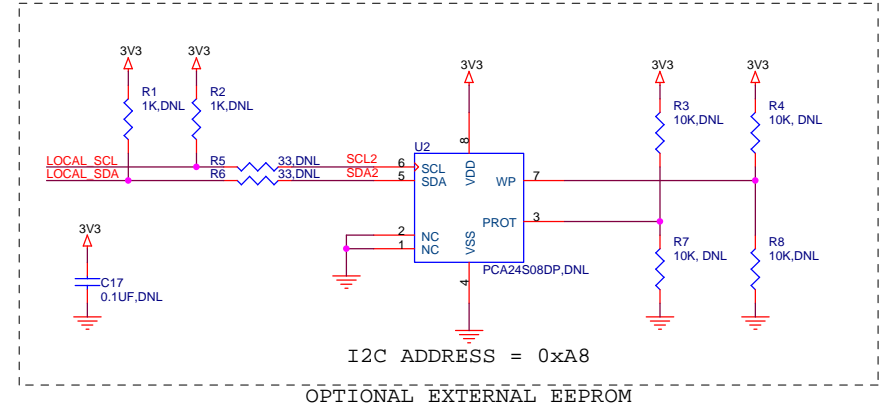
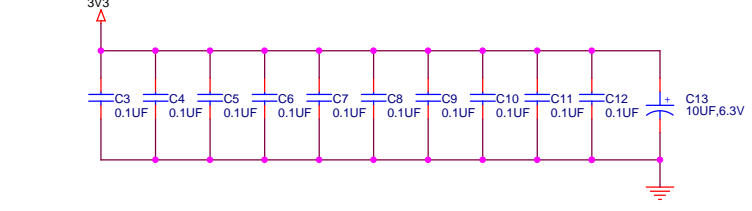
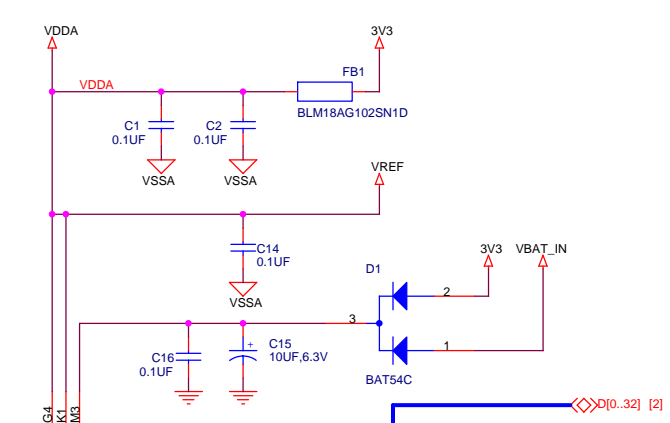
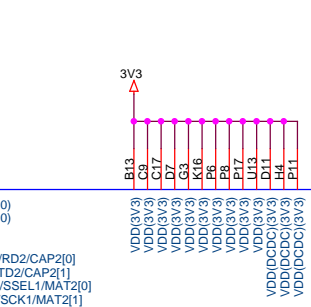


REVISION HISTORY		
01/23/09	2	CORRECTED SDRAM BA SIGNALS, I2C
02/16/09	2.2	CONNECTED VREF TO VDDA, LOAD J1
03/27/09	2.3	ROTATED D2 TO CORRECT BAD FOOTPRINT
08/10/09	3	CHANGED J3 TO SAMTEC, Y1 TO EPSON CHANGED DIMM SIGNAL NAMES TO STD
05/09/11	4	ADDED SUPPORT FOR ENHANCED LPC1788 SIGNALS AND OPTION RESISTORS

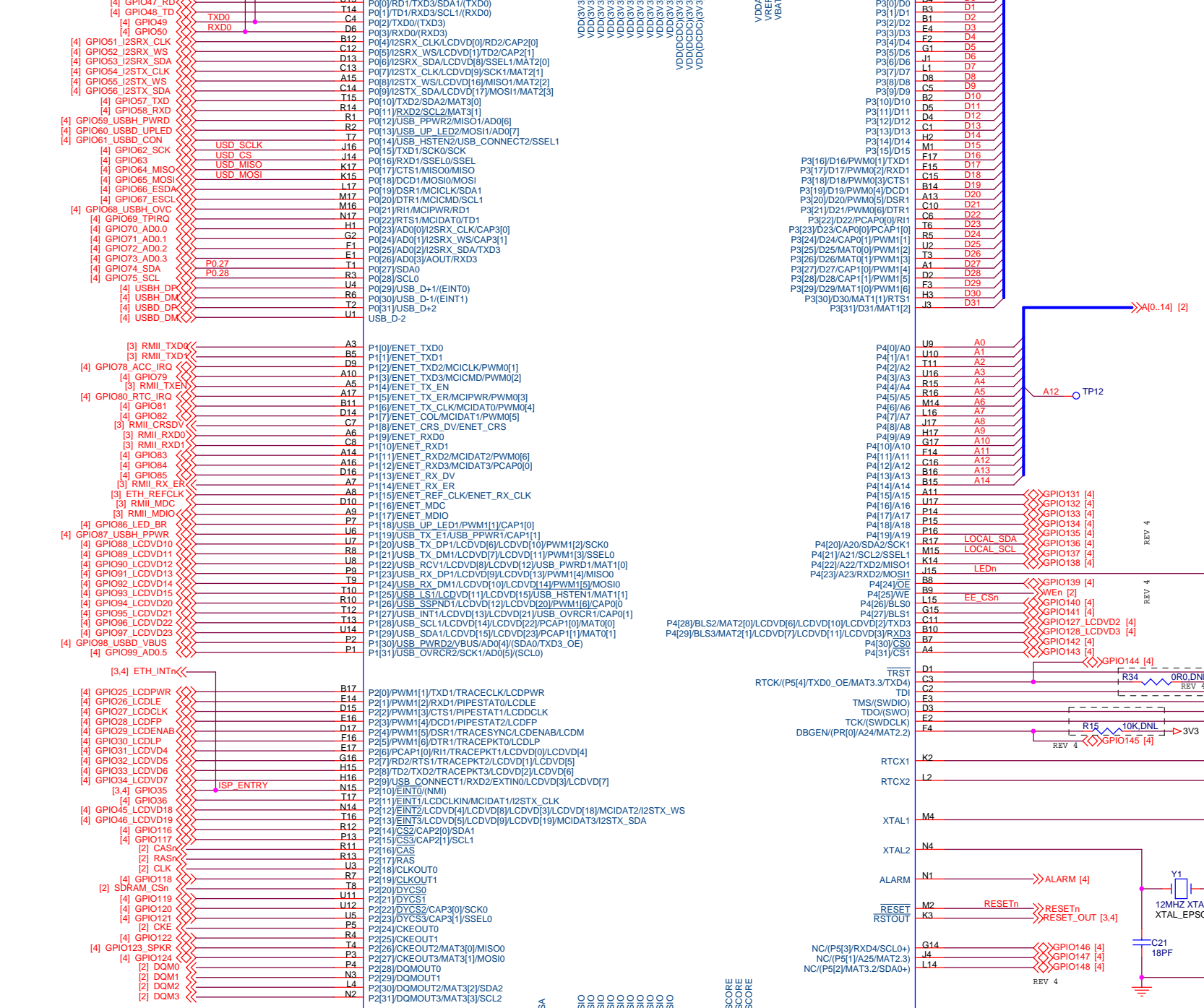
I2C PULLUPS



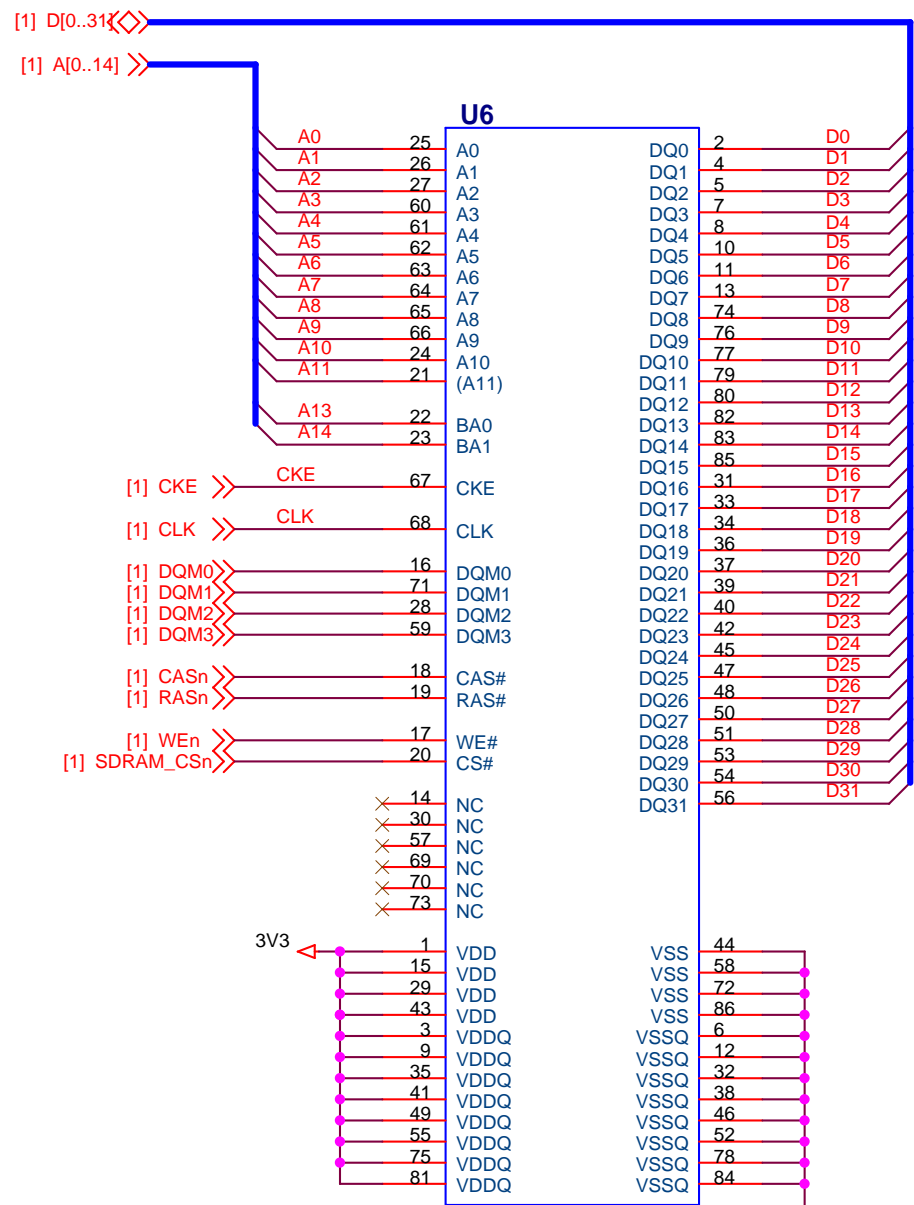
REV 4 TO SUPPORT RS485 ON CARRIER BOARD

U1

LPC1788FET208

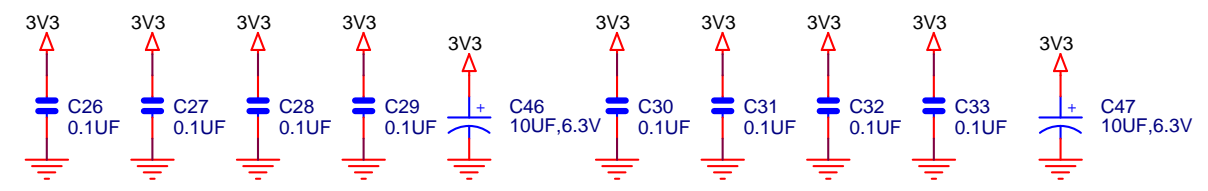


FUTURE DESIGNS, INC. 2702 TRIANA BLVD HUNTSVILLE, AL 35805		FDI
Title: NXP SOMDIMM-LPC1788		
Size: C	Document Number	Rev: 4
Date: Thursday, June 02, 2011	Sheet: 1 of 4	

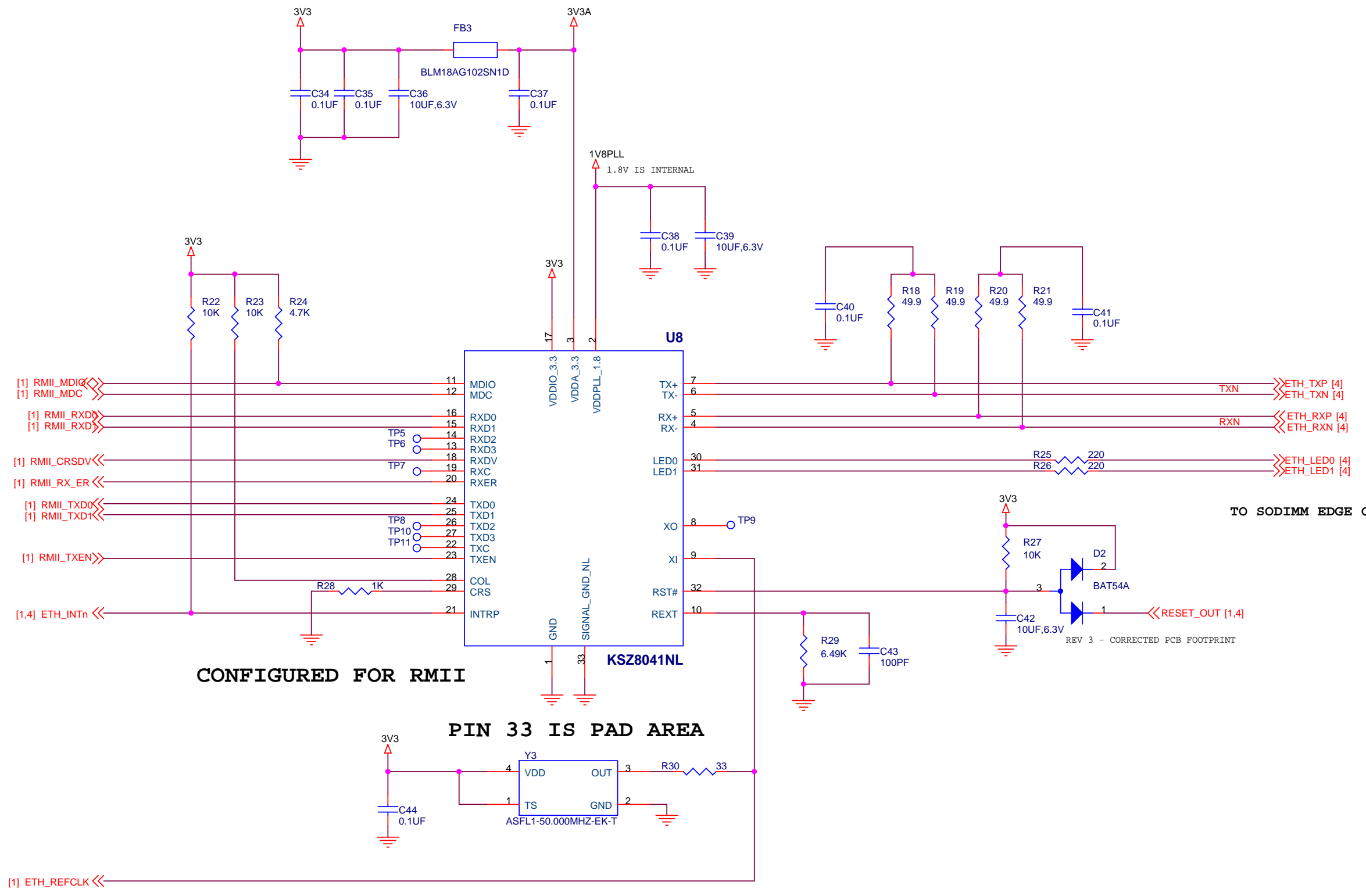


MT48LC2M32B2P
 MT48LC4M32B2P ALTERNATE
 MT48LC8M32B2P ALTERNATE

SDRAM (8MB TO 32MB)

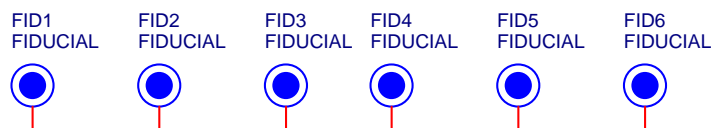
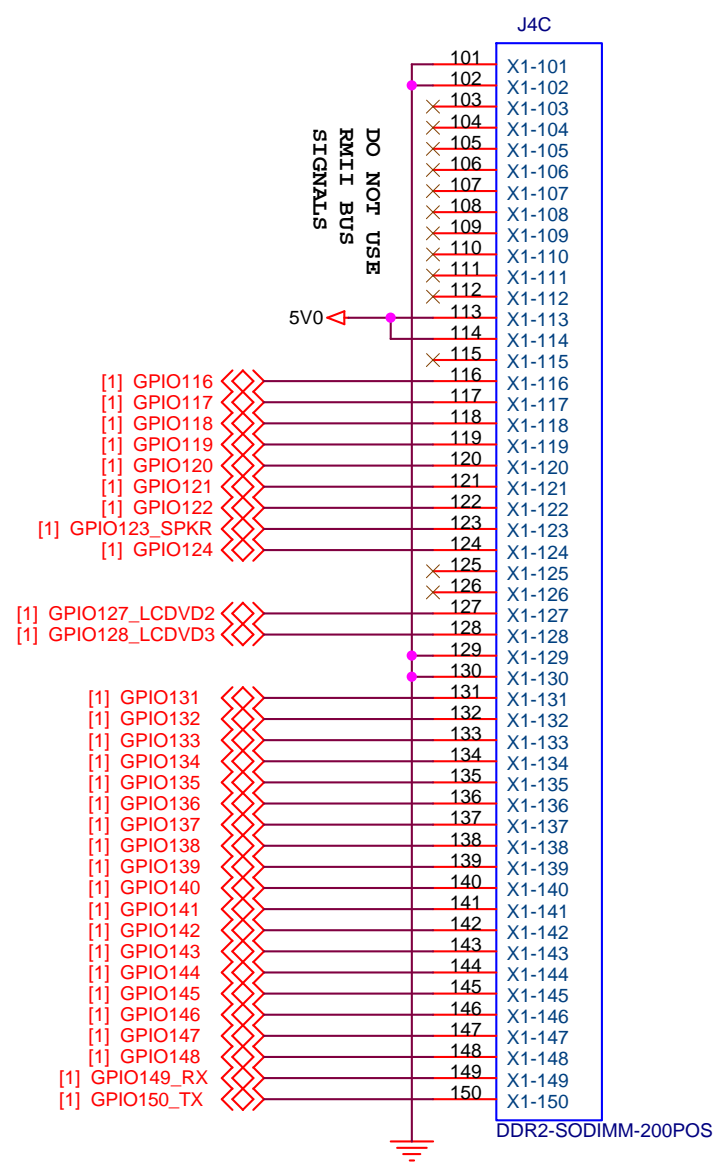
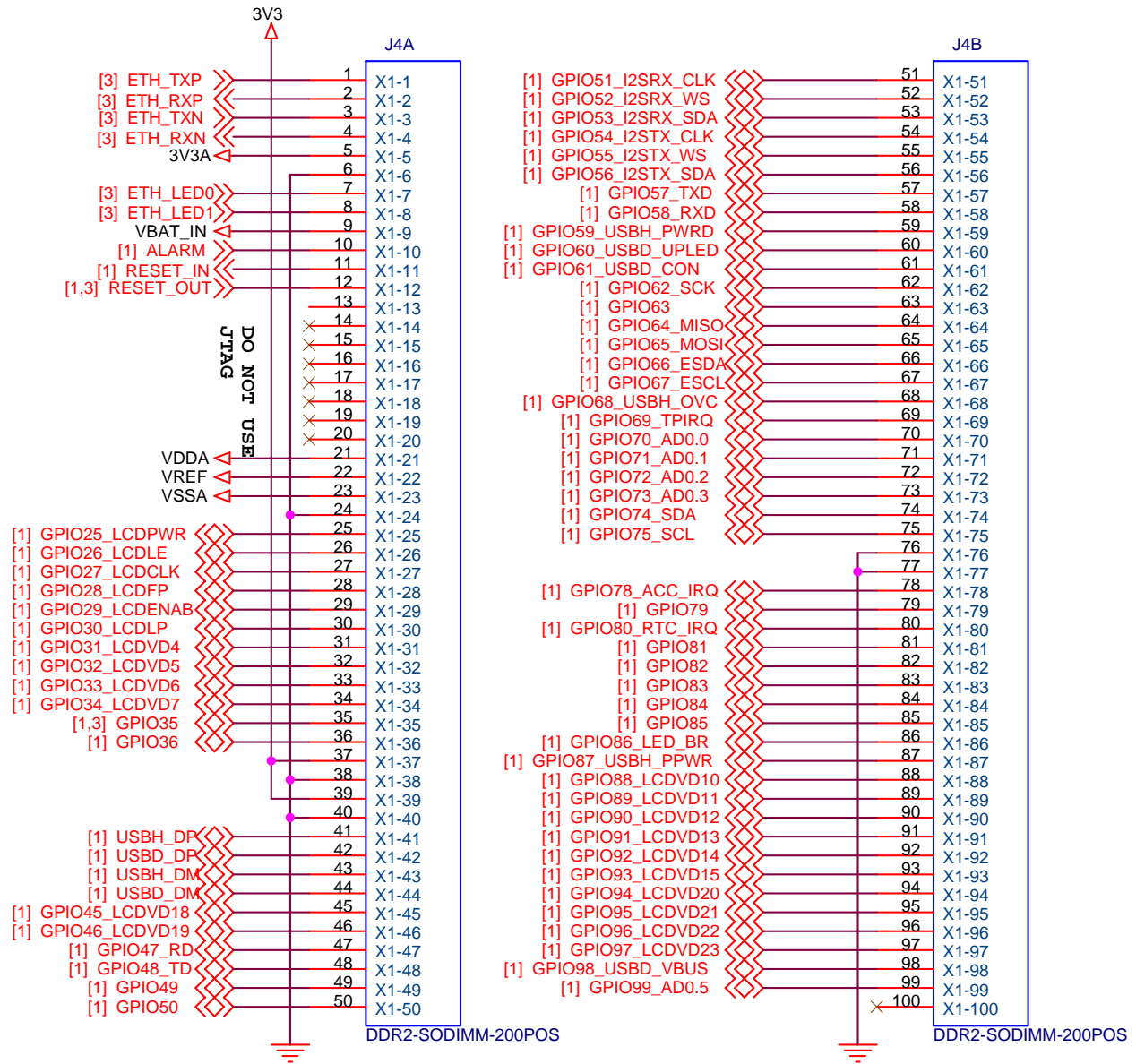



FUTURE DESIGNS, INC. 2702 TRIANA BLVD HUNTSVILLE, AL 35805		
Title: NXP SOMDIMM-LPC1788		
Size: B	Document Number: <Doc>	Rev: 4
Date: Thursday, June 02, 2011		Sheet: 2 of 4



TO SODIMM EDGE CONNECTOR

FUTURE DESIGNS, INC. 2702 TRIANA BLVD HUNTSVILLE, AL 35805		FDI
Title	NXP SOMDIMM-LPC1788	
Size	Document Number <Doc>	Rev 4
Date:	Thursday, June 02, 2011	Sheet 3 of 4



FUTURE DESIGNS, INC. 2702 TRIANA BLVD HUNTSVILLE, AL 35805		
Title: NXP SODIMM-LPC1788		
Size: B	Document Number: <Doc>	Rev: 4
Date: Thursday, June 02, 2011		Sheet: 4 of 4