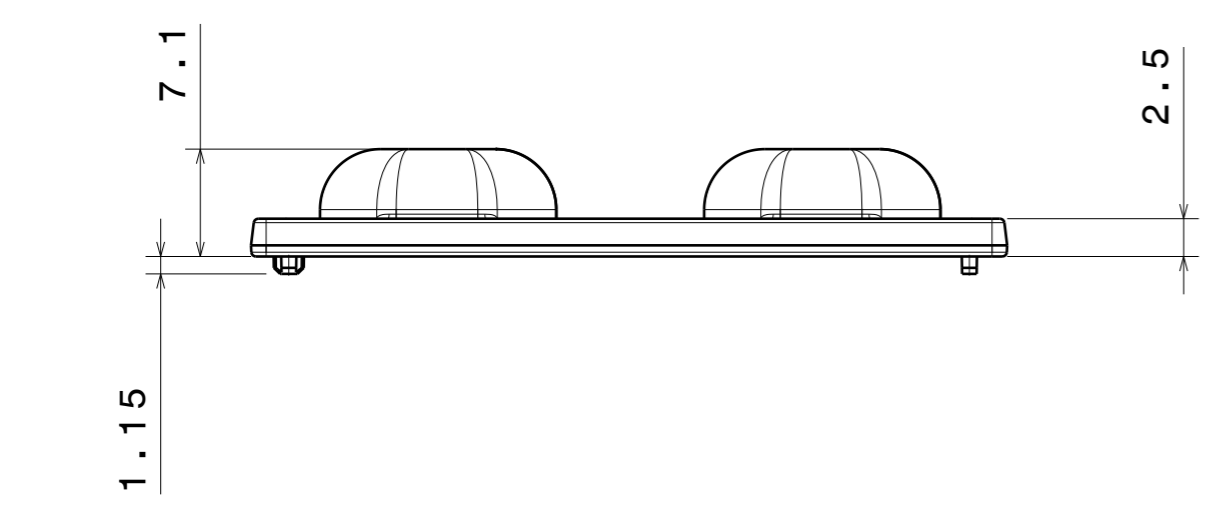
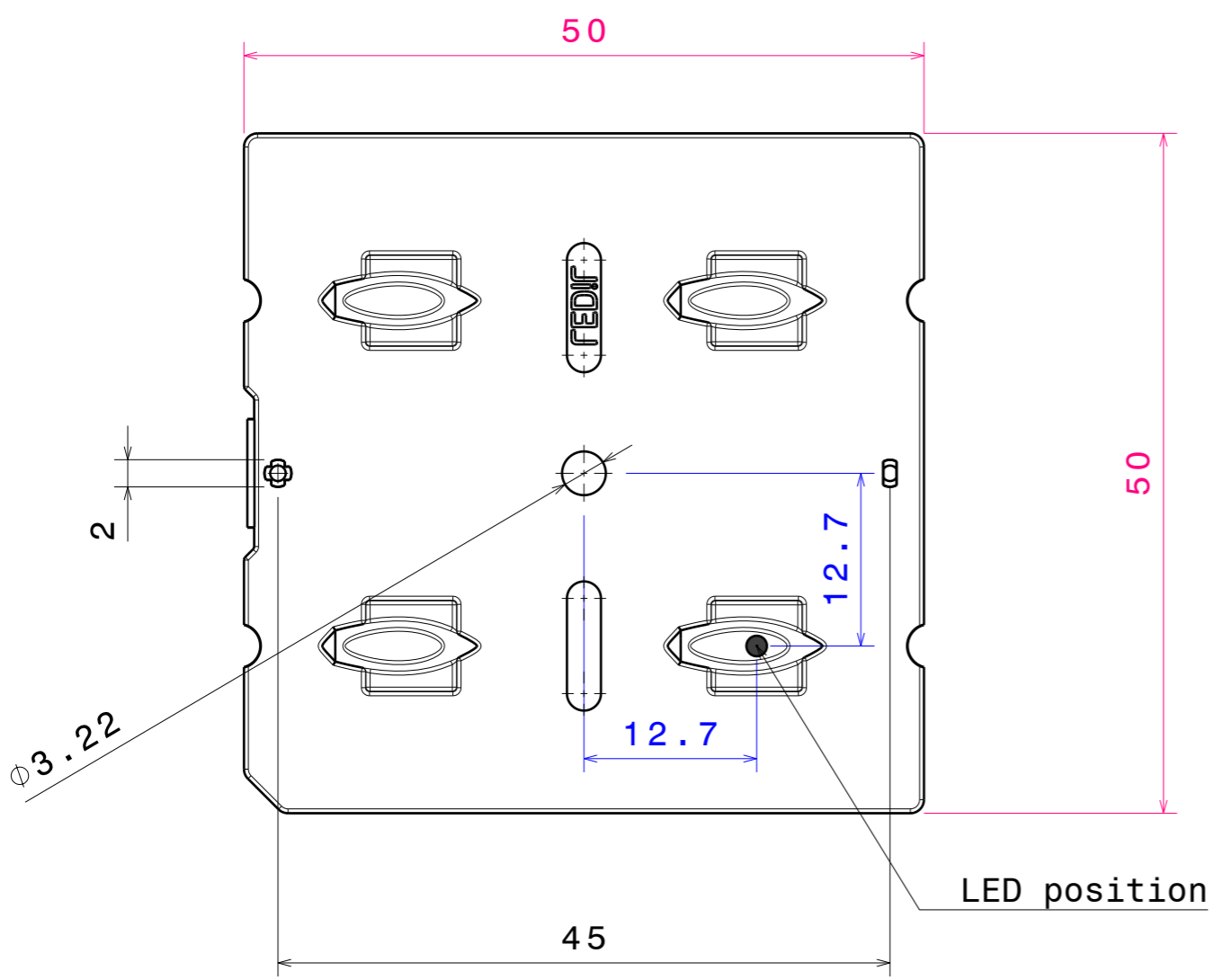
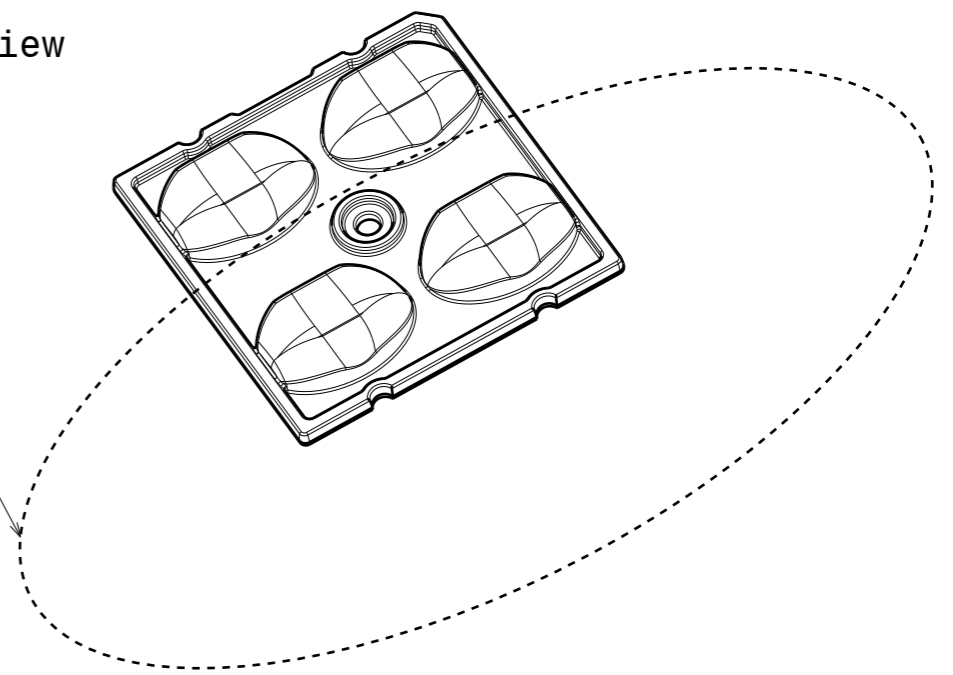


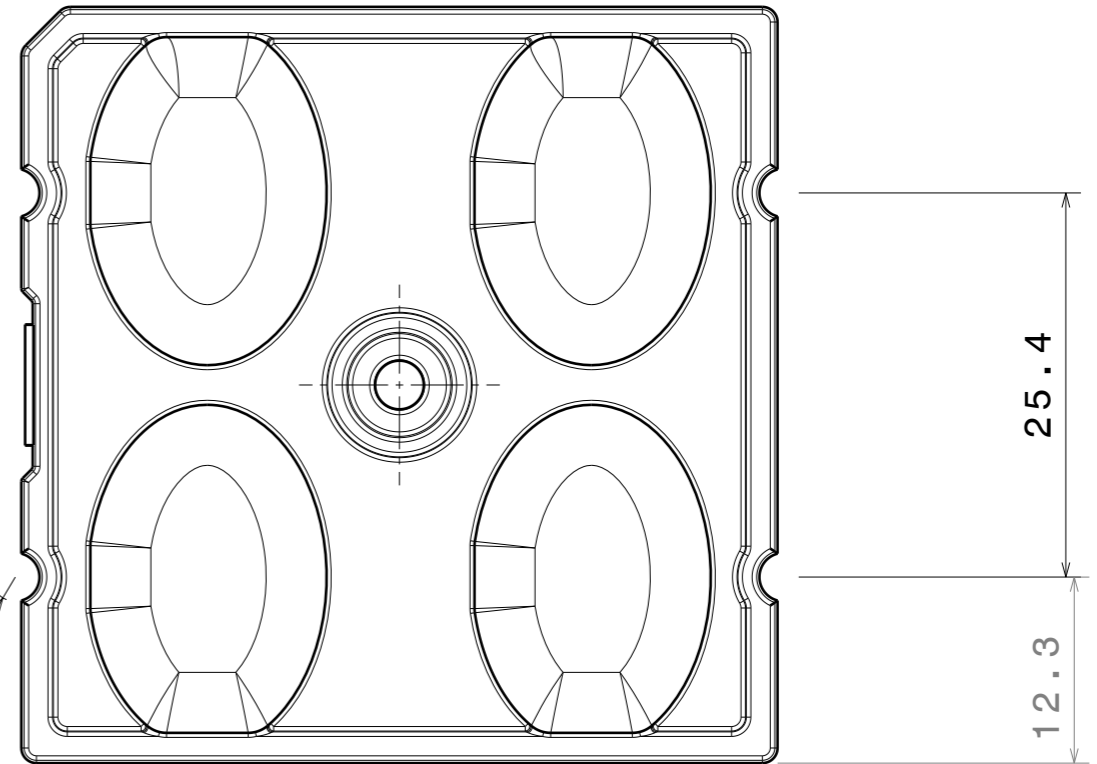
H G F E D C B A



Isometric view



Beam direction



R1.6

Tolerances if not otherwise shown  
 According to DIN ISO 2768-1  
 Linear measures:  
 Up to 30mm class M, otherwise class C.  
 According to DIN ISO 2768-2  
 Form and position: class L

**LEDiL** LediL Oy  
 Salorankatu 10  
 FIN 24240 SALO  
 Finland

THIRD ANGLE PROJECTION:

DRAWING TITLE  
**Datasheet STRADA\_2X2\_XW**

This drawing is the property of LEDiL Oy. It may not be reproduced, copied or communicated without a written agreement with LEDiL Oy."

SIZE	PART NUMBER		
A3	-		

SCALE	2:1	WEIGHT (g)		SHEET	1/1
-------	-----	------------	--	-------	-----

H G F E D C B A