

Type ANS Automotive Blade Fuse Low Profile Miniature



www.optifuse.com (619) 593-5050

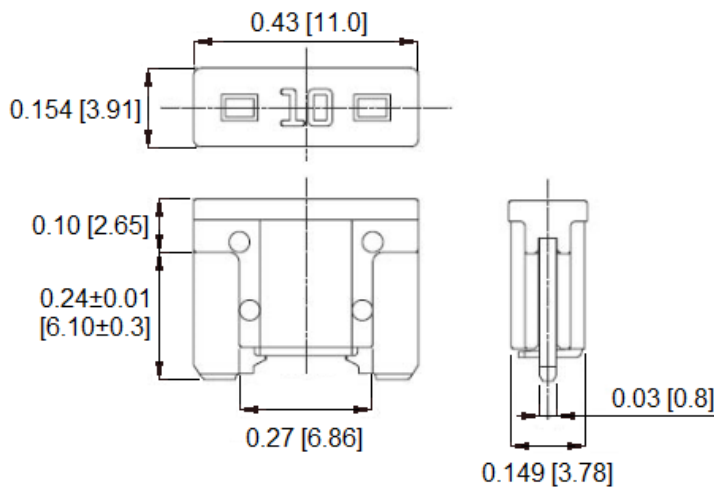
Specifications:

- Voltage: 32V DC
- Amperage: 3A, 4A, 5A, 7.5A, 10A, 15A, 20A, 25A, 30A
- Body: PA 66
- Terminals: Zinc alloy
- Designed to meet SAE and ISO 8820 Standards.
- Interrupt Rating – 1000A @ 32 VDC

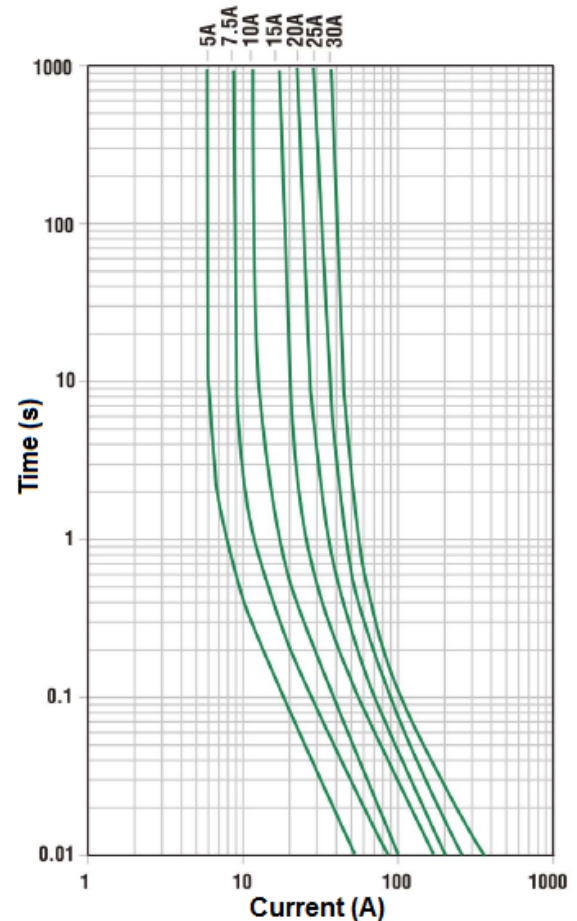
Part Number	Amperage	Body Color
ANS-3A	3A	Violet
ANS-4A	4A	Pink
ANS-5A	5A	Tan
ANS -7.5A	7.5A	Brown
ANS -10A	10A	Red
ANS -15A	15A	Blue
ANS -20A	20A	Yellow
ANS -25A	25A	Clear
ANS -30A	30A	Green

Time Characteristics:		
% of Rated Current	% of Rated Current	% of Rated Current
110%	110%	110%
135%	135%	135%
200%	200%	200%

Mechanical Dimensions: Inches [mm]



Time Current Curve



Warning:



- Operation beyond the specified maximum ratings or improper use may result in damage and possible electrical arcing and/or flame.
- Avoid contact of device with chemical solvent. Prolonged contact will damage the device performance.

Note: All specifications subject to change without notice.

Rev B 06/2018 - Page: 1/1
Code H02-01H