

Evaluating the **ADMV7310** E-Band Upconverter SIP, 71 GHz to 76 GHz

FEATURES

- Simple power-up with on-board LDO regulators
- Gain tuning and devices bias adjustment with potentiometers
- Option to bypass LDO regulators with connector jumpers

EVALUATION KIT CONTENTS

- ADMV7310-EVALZ
- Connector jumpers

EQUIPMENT NEEDED

- 5 V and -5 V dc power supplies
- Baseband signal generator
- RF signal generator
- E-band spectrum analyzer
- WR-12 waveguide

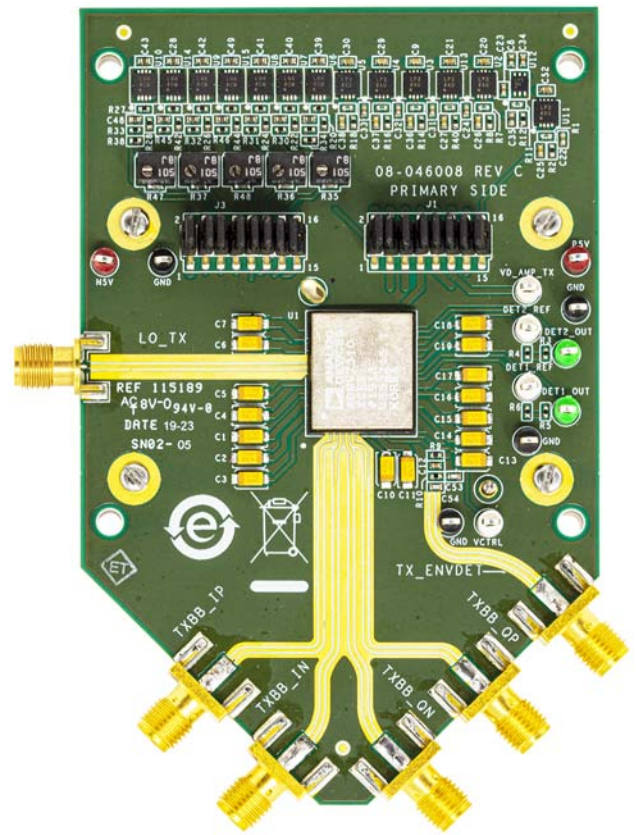
ADMV7310-EVALZ PHOTOGRAPH


Figure 1.

GENERAL DESCRIPTION

The ADMV7310-EVALZ evaluation board incorporates the [ADMV7310](#) with low dropout (LDO) regulators, potentiometers, and a waveguide back plate to allow quick and easy evaluation of the [ADMV7310](#). The LDO regulators allow the [ADMV7310](#) to be powered on by ± 5 V supplies. Potentiometers allow gate tuning for various gain ranges.

The [ADMV7310](#) is a fully integrated system in package (SiP) in phase/quadrature (I/Q) upconverter that operates at an

intermediate frequency (IF) input range of dc to 2 GHz and a radio frequency (RF) output range of 71 GHz to 76 GHz.

The [ADMV7310](#) data sheet, available at www.analog.com, provides full specifications for the [ADMV7310](#). Consult the [ADMV7310](#) data sheet in conjunction with this user guide when using the evaluation board.

TABLE OF CONTENTS

Features	1	Quick Start Procedure	3
Evaluation Kit Contents.....	1	Gain Tuning Procedure	4
Equipment Needed.....	1	Evaluation Board Schematics.....	5
ADMV7310-EVALZ Photograph.....	1	Ordering Information.....	8
General Description	1	Bill of Materials.....	8
Revision History	2		
Evaluation Board Setup	3		

REVISION HISTORY

11/2019—Revision A: Initial Version

EVALUATION BOARD SETUP

QUICK START PROCEDURE

The ADMV7310-EVALZ evaluation board is equipped with LDO regulators to provide biases for all drains and gates. Only +5 V dc and -5 V dc power supplies are needed to power up the chip. Note that the ADMV7310-EVALZ board is tuned in factory to achieve a typical current level. To ensure that damage does not occur, use the following sequence to power up:

1. Place jumpers on all pins of J3.
2. Place jumpers on all pins for J1 except Pin 1 and Pin 2.
3. Connect a -5 V dc power supply to the N5V test point and ground to the nearest GND test point.
4. Connect the 5 V dc power supply to the P5V test point.
5. Turn on the -5 V dc supply, then the 5 V dc supply.
6. Place jumpers on Pin 1 and Pin 2 of J1.
7. Connect VCTRL to -5 V dc for maximum gain.
8. Adjust the dc voltages between -0.2 V and +0.2 V to the TXBB_IN, TXBB_IP, TXBB_QN, and TXBB_QP ports for LO nulling.

To power down the chip, use the following sequence:

1. Disconnect the -5 V dc supply on VCTRL.
2. Turn off the 5 V dc supply.
3. Turn off -5 V dc supply.

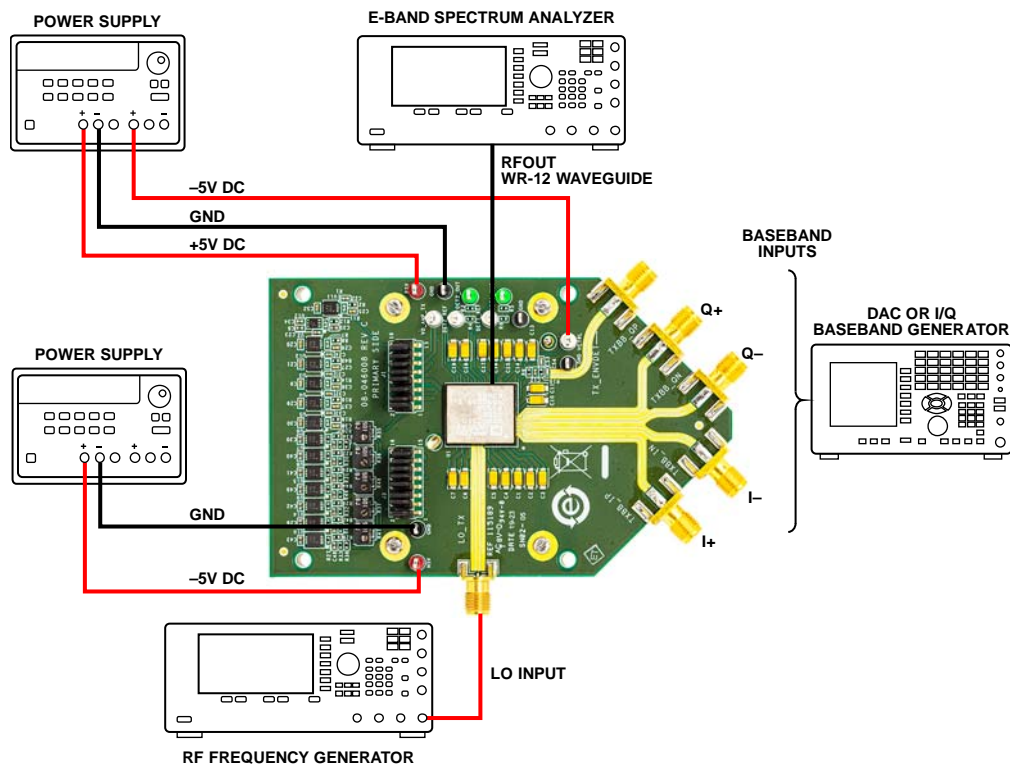


Figure 2. ADMV7310-EVALZ Lab Bench Setup

20881-002

GAIN TUNING PROCEDURE

Table 1. Gain Tuning Summary

Gain Tuning Order	Gain Reduction Range (dB)	Gain Tuning	Recommended Gain Tuning Voltage Range (V)
1	0 to 10	VGA_VCTL12	-5 to -1
2	10 to 25	VGA_VG345 and VGA_VG6	-2 to 0
3	25 to 40	PA_VG1	-2 to 0

There are three steps to control the total gain of the transmitter (follow the gain tuning order in Table 1 to achieve the correct gain level for optimal performance).

Step 1: VGA_VCTL12 Tuning

The VGA_VCTL12 pin is tied to the VCTRL test point. To achieve maximum gain, set the VCTRL test point to -5 V dc. To achieve a gain reduction between 0 dB and 10 dB, adjust the VCTRL test point voltage between -5 V and -1 V (typical minimum gain for the variable gain amplifier).

Step 2: VGA_VG345 and VGA_VG6 Tuning

If further gain reduction is needed after conducting Step 1, lower the third to sixth variable gain amplifier drain current levels, I_{VGA_VD345} and I_{VGA_VD6} , by adjusting VGA_VG345 and VGA_VG6 together, between -2 V and 0 V, to achieve the correct gain level. The total current consumption of I_{VGA_VD345} and I_{VGA_VD6} can drop to 25 mA.

To tune VGA_VG345 and VGA_VG6 on the ADMV7310-EVALZ, use the following sequence:

1. Power down the chip by turning off the 5 V dc supply and then turning off the -5 V dc supply.
2. The R36 potentiometer tunes VGA_VG345 and VGA_VG6. Place an ampere meter between Pin 9 and Pin 10 on J1 to monitor the I_{VGA_VD345} and I_{VGA_VD6} current.

3. Power up the chip by turning on the -5 V dc supply and then turning on the 5 V dc supply.
4. Adjust the R36 resistor to tune VGA_VG345 and VGA_VG6. The total current of I_{VGA_VD345} and I_{VGA_VD6} must not drop below 25 mA.

Step 3: PA_VG1 Tuning

If further gain reduction is needed after conducting Step 1 and Step 2, lower the drain current level of the first power amplifier, I_{PA_VD1} , by adjusting PA_VG1 between -2 V and 0 V to achieve the correct gain level. The current consumption of I_{PA_VD1} can drop to 80 mA.

To tune PA_VG1 on the ADMV7310-EVALZ, use the following sequence:

1. Power down the chip by turning off the 5 V dc supply and then turning off the -5 V dc supply.
2. The R47 potentiometer tunes the PA_VG1 pin. Place an ampere meter between Pin 3 and Pin 4 on J1 to monitor the current of PA_VD1.
3. Power up the chip by turning on the -5 V dc supply and then turning on the 5 V dc supply.
4. Adjust the R47 to tune PA_VG1. The PA_VD1 current must not drop below 80 mA for Power Amplifier 1 (PA1) tuning.

20861-004

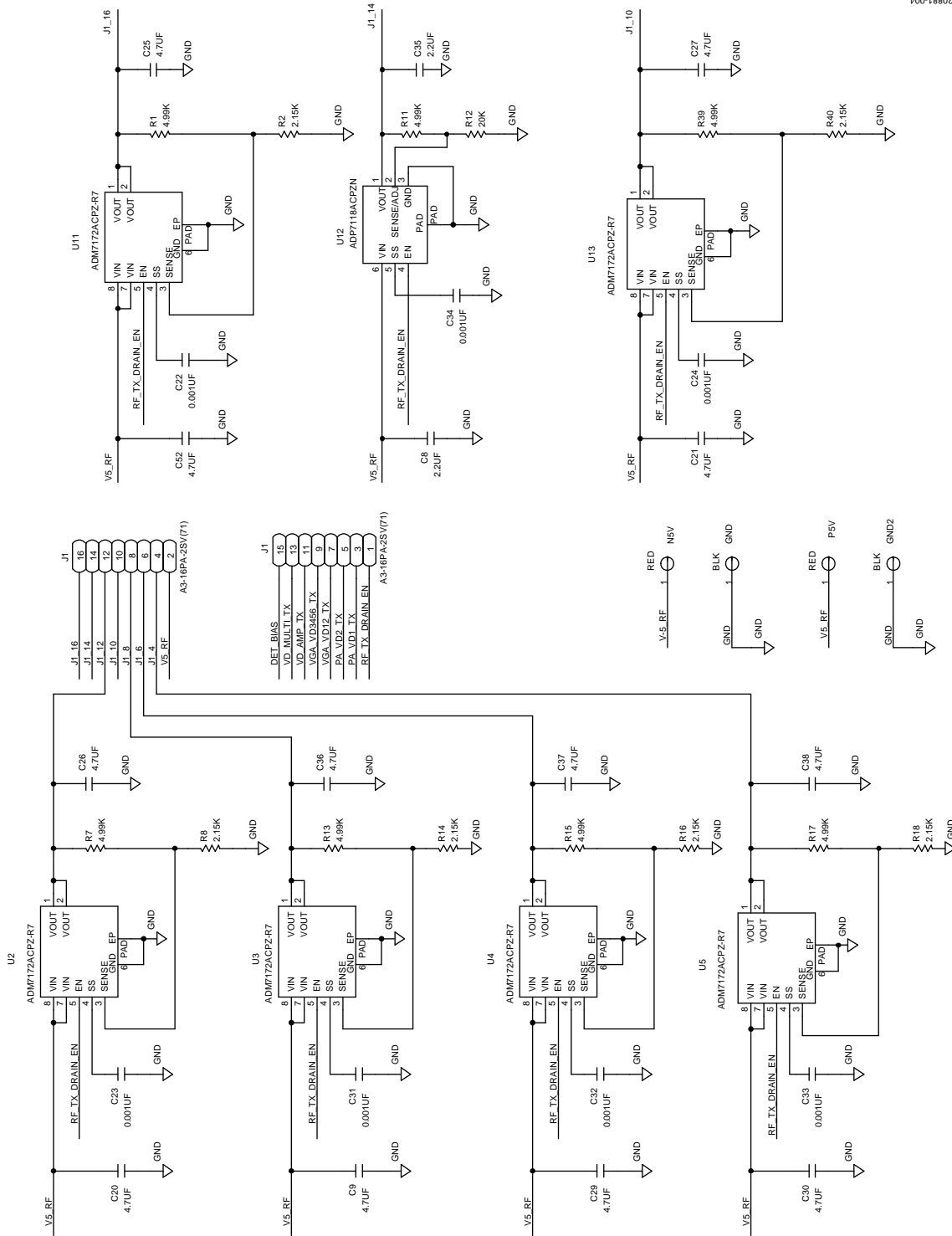


Figure 4. ADMV7310-EVALZ Drain Supplies

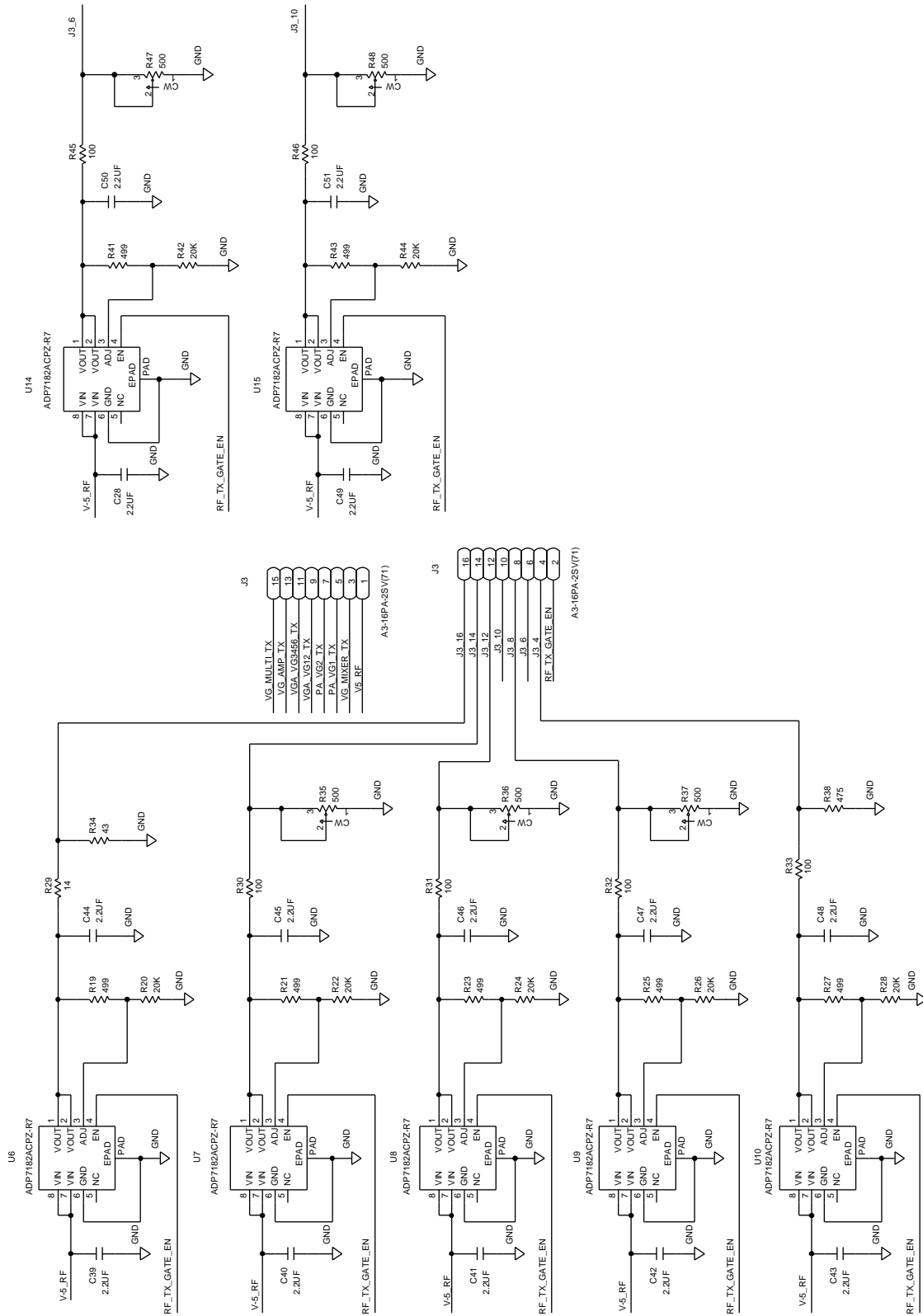


Figure 5. ADMV7310-EVALZ Gate Supplies

ORDERING INFORMATION

BILL OF MATERIALS

Table 2. Bill of Materials

Qty	Designators	Description	Part Number
16	C1, C2, C3, C4, C5, C6, C7, C10, C11, C13, C14, C15, C16, C17, C18, C19	Tantalum capacitor, 4.7 μ F	TAJA475K020RNJ
8	C12, C22, C23, C24, C31, C32, C33, C34	Capacitors, ceramic, X7R, automotive grade, 1 nF	CGA2B2X7R1H102K050BA
12	C9, C20, C21, C25, C26, C27, C29, C30, C36, C37, C38, C52	Capacitors, ceramic, X5R, general-purpose, 4.7 μ F	GRM155R60J475ME87D
16	C8, C28, C35, C39, C40, C41, C42, C43, C44, C45, C46, C47, C48, C49, C50, C51	Capacitors, ceramic, 2.2 μ F	C1005X5R0J225K050BC
2	C53, C54	Capacitors, ceramic, NP0, high frequency, high Q, 3 pF	GJM1555C1H3R0BB01B
2	DET1_OUT, DET2_OUT	Test point	TP104-01-05
4	DET1_REF, DET2_REF, VCTRL, VD_AMP_TX	Test point	TP-104-01-09
4	GND, GND2, GND3, GND4	Test point	TP-104-01-00
2	J1, J3	Connector header	A3-16PA-2SV(71)
1	LO_TX	End launch connector	25-146-1000-92
2	N5V, P5V	Test point	TP-104-01-02
7	R1, R7, R11, R13, R15, R17, R39	Resistor, high stability, flat chip, 4.99 k Ω	TNPW04024K99BEED
1	R10	Resistor, precision, thick film chip, 150 Ω	ERJ-2RKF1500X
8	R12, R20, R22, R24, R26, R28, R42, R44	Resistor, precision, thick film chip, 20 k Ω	ERJ-2RKF2002X
6	R2, R8, R14, R16, R18, R40	Resistor, precision, thick film, 2.15 k Ω	ERJ-2RKF2151X
7	R19, R21, R23, R25, R27, R41, R43	Resistor, precision, thick film chip, 499 Ω	ERJ-2RKF4990X
1	R29	Resistor, 14 Ω	TFCR0402-16W-E-14R0DT
4	R3, R4, R5, R6	Resistor, precision, thick film chip, 100 k Ω	ERJ-2RKF1003X
6	R30, R31, R32, R33, R45, R46	Resistor, precision, thick film chip, 100 Ω	ERJ-2RKF1000X
1	R34	Resistor, precision, thick film chip, 43 Ω	ERJ-2RKF43R0X
5	R35, R36, R37, R47, R48	Resistor, Potentiometer, 500 Ω	SM-42TW501CT-ND
1	R38	Resistor, precision, thick film chip, 475 Ω	ERJ-2RKF4750X
1	R9	Resistor, precision, thick film chip, 3.48 k Ω	ERJ-2RKF3481X
5	TXBB_IN, TXBB_IP, TXBB_QN, TXBB_QP, TX_ENVDET	SMA end launch connector	142-0701-851
1	U1	IC Analog Devices, Inc., E-band upconverter system in package (SiP), 71 GHz to 76 GHz	ADMV7310
7	U6, U7, U8, U9, U10, U14, U15	IC Analog Devices, Inc., low noise regulator	ADP7182ACPZ-R7
6	U2, U3, U4, U5, U11, U13	IC Analog Devices low noise regulator	ADM7172ACPZ-R7
1	U12	IC Analog Devices low noise regulator	ADP7118ACPZN

NOTES

**ESD Caution**

ESD (electrostatic discharge) sensitive device. Charged devices and circuit boards can discharge without detection. Although this product features patented or proprietary protection circuitry, damage may occur on devices subjected to high energy ESD. Therefore, proper ESD precautions should be taken to avoid performance degradation or loss of functionality.

Legal Terms and Conditions

By using the evaluation board discussed herein (together with any tools, components documentation or support materials, the "Evaluation Board"), you are agreeing to be bound by the terms and conditions set forth below ("Agreement") unless you have purchased the Evaluation Board, in which case the Analog Devices Standard Terms and Conditions of Sale shall govern. Do not use the Evaluation Board until you have read and agreed to the Agreement. Your use of the Evaluation Board shall signify your acceptance of the Agreement. This Agreement is made by and between you ("Customer") and Analog Devices, Inc. ("ADI"), with its principal place of business at One Technology Way, Norwood, MA 02062, USA. Subject to the terms and conditions of the Agreement, ADI hereby grants to Customer a free, limited, personal, temporary, non-exclusive, non-sublicensable, non-transferable license to use the Evaluation Board FOR EVALUATION PURPOSES ONLY. Customer understands and agrees that the Evaluation Board is provided for the sole and exclusive purpose referenced above, and agrees not to use the Evaluation Board for any other purpose. Furthermore, the license granted is expressly made subject to the following additional limitations: Customer shall not (i) rent, lease, display, sell, transfer, assign, sublicense, or distribute the Evaluation Board; and (ii) permit any Third Party to access the Evaluation Board. As used herein, the term "Third Party" includes any entity other than ADI, Customer, their employees, affiliates and in-house consultants. The Evaluation Board is NOT sold to Customer; all rights not expressly granted herein, including ownership of the Evaluation Board, are reserved by ADI. CONFIDENTIALITY. This Agreement and the Evaluation Board shall all be considered the confidential and proprietary information of ADI. Customer may not disclose or transfer any portion of the Evaluation Board to any other party for any reason. Upon discontinuation of use of the Evaluation Board or termination of this Agreement, Customer agrees to promptly return the Evaluation Board to ADI. ADDITIONAL RESTRICTIONS. Customer may not disassemble, decompile or reverse engineer chips on the Evaluation Board. Customer shall inform ADI of any occurred damages or any modifications or alterations it makes to the Evaluation Board, including but not limited to soldering or any other activity that affects the material content of the Evaluation Board. Modifications to the Evaluation Board must comply with applicable law, including but not limited to the RoHS Directive. TERMINATION. ADI may terminate this Agreement at any time upon giving written notice to Customer. Customer agrees to return to ADI the Evaluation Board at that time. LIMITATION OF LIABILITY. THE EVALUATION BOARD PROVIDED HEREUNDER IS PROVIDED "AS IS" AND ADI MAKES NO WARRANTIES OR REPRESENTATIONS OF ANY KIND WITH RESPECT TO IT. ADI SPECIFICALLY DISCLAIMS ANY REPRESENTATIONS, ENDORSEMENTS, GUARANTEES, OR WARRANTIES, EXPRESS OR IMPLIED, RELATED TO THE EVALUATION BOARD INCLUDING, BUT NOT LIMITED TO, THE IMPLIED WARRANTY OF MERCHANTABILITY, TITLE, FITNESS FOR A PARTICULAR PURPOSE OR NONINFRINGEMENT OF INTELLECTUAL PROPERTY RIGHTS. IN NO EVENT WILL ADI AND ITS LICENSORS BE LIABLE FOR ANY INCIDENTAL, SPECIAL, INDIRECT, OR CONSEQUENTIAL DAMAGES RESULTING FROM CUSTOMER'S POSSESSION OR USE OF THE EVALUATION BOARD, INCLUDING BUT NOT LIMITED TO LOST PROFITS, DELAY COSTS, LABOR COSTS OR LOSS OF GOODWILL. ADI'S TOTAL LIABILITY FROM ANY AND ALL CAUSES SHALL BE LIMITED TO THE AMOUNT OF ONE HUNDRED US DOLLARS (\$100.00). EXPORT. Customer agrees that it will not directly or indirectly export the Evaluation Board to another country, and that it will comply with all applicable United States federal laws and regulations relating to exports. GOVERNING LAW. This Agreement shall be governed by and construed in accordance with the substantive laws of the Commonwealth of Massachusetts (excluding conflict of law rules). Any legal action regarding this Agreement will be heard in the state or federal courts having jurisdiction in Suffolk County, Massachusetts, and Customer hereby submits to the personal jurisdiction and venue of such courts. The United Nations Convention on Contracts for the International Sale of Goods shall not apply to this Agreement and is expressly disclaimed.

©2019 Analog Devices, Inc. All rights reserved. Trademarks and registered trademarks are the property of their respective owners.
UG20881-0-11/19(A)



www.analog.com