

NOTES:

1. MATERIALS AND FINISHES:

SHELL : SUS304
 HOUSING: LCP
 PEG CONTACT: C5191, Au 30u", Ni50~100u"
 SPRING CONTACT: C17200, Au 30u", Ni50~100u"

2. ELECTRICAL:

A. IMPEDANCE : 50 OHM
 B. FREQUENCY RANGE : DC - 3 GHz
 C. VSWR : 1.6 MAX.
 D. DIELECTRIC WITHSTANDING VOLTAGE : 1 MIN. AC 100V VRMS

3. MECHANICAL:

A. DURABILITY : 5000 CYCLES MIN
 B. TEMPERATURE RANGE: -30°C TO +85°C

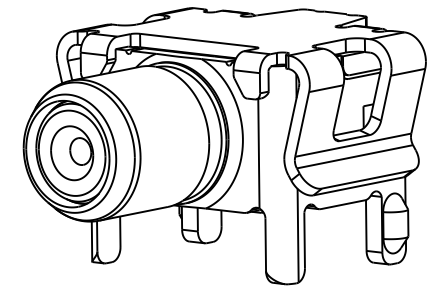
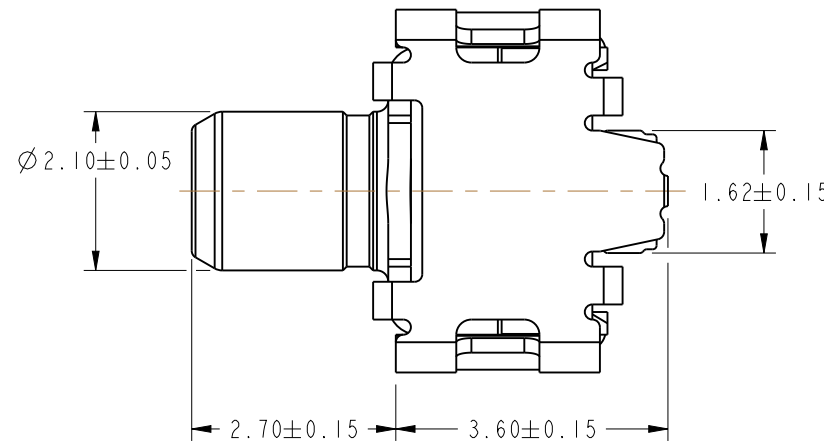
4. PACKAGING:

TAPE AND REEL - 2000 PIECES PER REEL

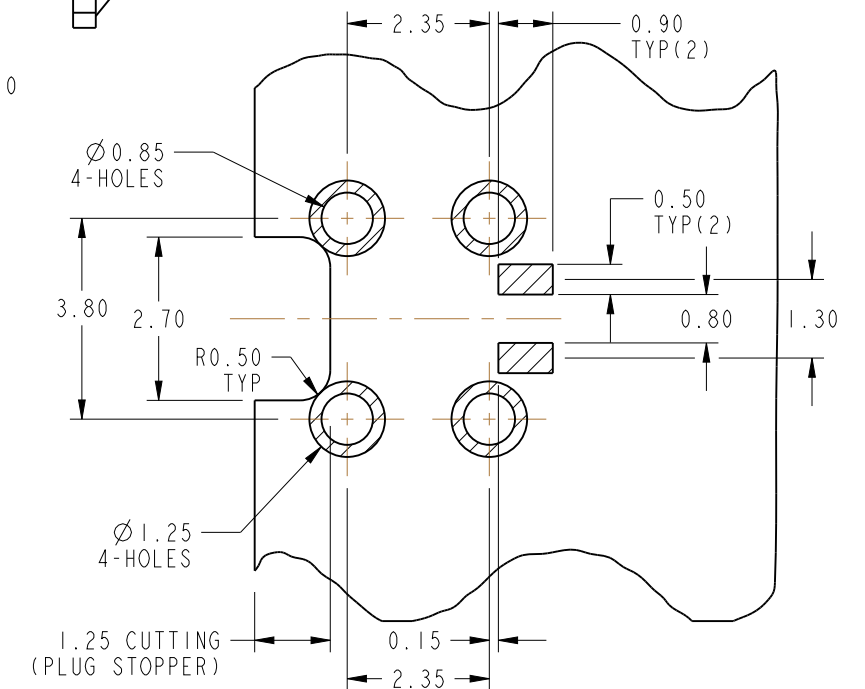
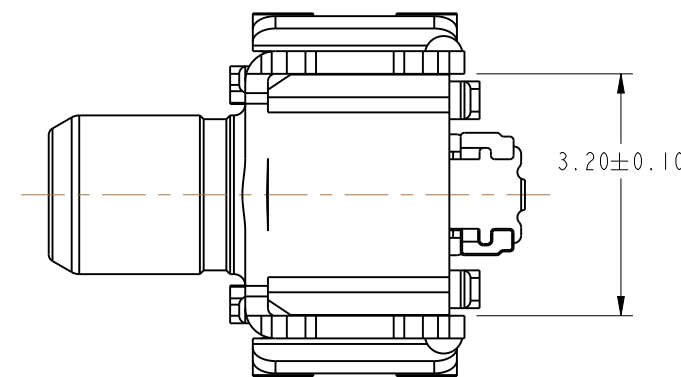
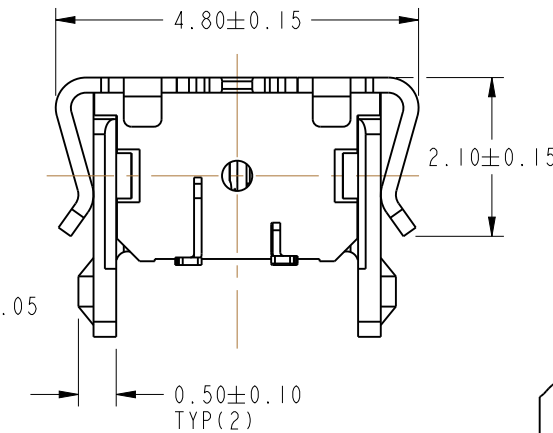
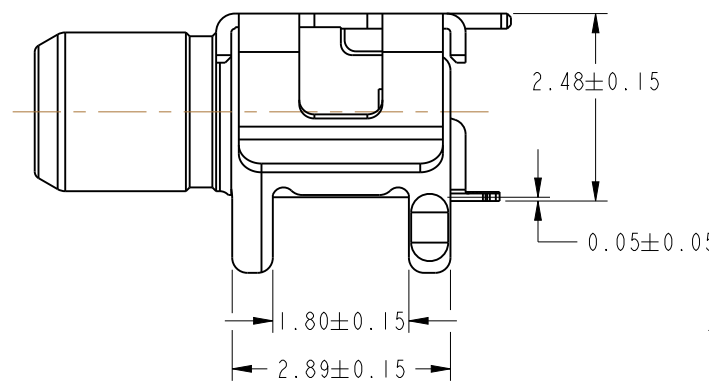
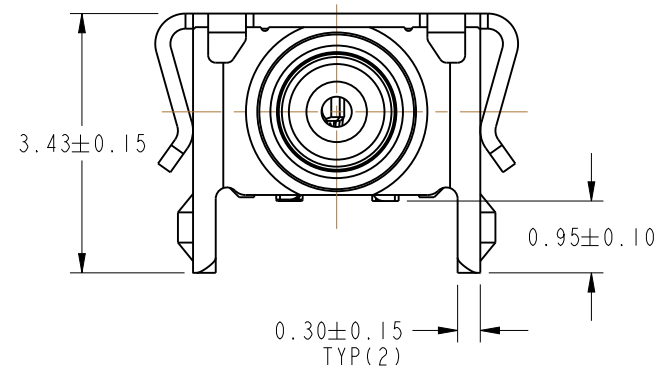
THIRD ANGLE PROJ.

REVISIONS

REV	DESCRIPTION	DATE	ECO	APPR
A	RELEASE TO MFG.	23-Sep-08	47292	JL
B	DESIGN, NOTES & FORMAT UPDATED	27-Mar-17	3321	CL

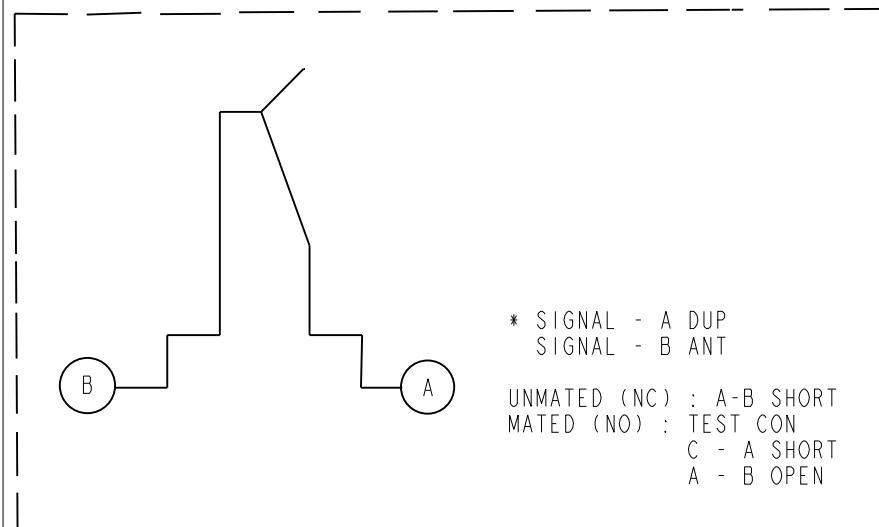


SCALE 9.000



- NOTES-

- 1. COPLANARITY : MAX. 0.1
- 2. RF SWITCH CIRCUIT DIAGRAM:



METRIC DRAWING

CUSTOMER OUTLINE DRAWING

ALL OTHER SHEETS ARE FOR INTERNAL USE ONLY

UNLESS OTHERWISE SPECIFIED, DIMENSIONS ARE IN METRIC AND TOLERANCES ARE:
 <0.5mm ±0.05mm 0.5 - 6mm ±0.1mm 6 - 30mm ±0.2mm 30 - 120mm ±0.3mm ANGLES ±1°

NOTICE - These drawings, specifications, or other data (1) are, and remain the property of Amphenol corp. (2) must be returned upon request; and (3) are confidential and not to be disclosed to any person other than those to whom they are given by Amphenol Corp. the furnishing of these drawings, specifications, or other data by Amphenol Corp., or to any other person to anyone for any purpose is not to be regarded by implication or otherwise in any manner licensing, granting rights to permitting such holder or any other person to manufacture, use or sell any product, process or design, patented or otherwise, that may in any way be related to or disclosed by said drawings, specifications, or other data.

MATERIAL	SEE NOTES	DRAWN	JIA YONG LI	DATE	18-Sep-08	TITLE	RF SWITCH CONNECTOR	Amphenol RF	
REFERENCE	EAR# 3161 AND EXP#	ENGINEER	JIA YONG LI	DATE	18-Sep-08	SCALE: 6.0:1.0 SHEET 2 OF 3		www.amphenolrf.com	
CONFIGURATION LEVEL:	In Work	APPROVED	K. CAPOZZI	DATE	27-Mar-17	DWG SIZE	B	REV	B
FINISH		CAD FILE							
								DRAWING NO.	902-9046
								ITEM NO.	902-9046
								PART NO.	902-9046